

High Efficiency 2.5A 1.5MHz Single Cell Li-ion Battery Switching Charger

DESCRIPTION

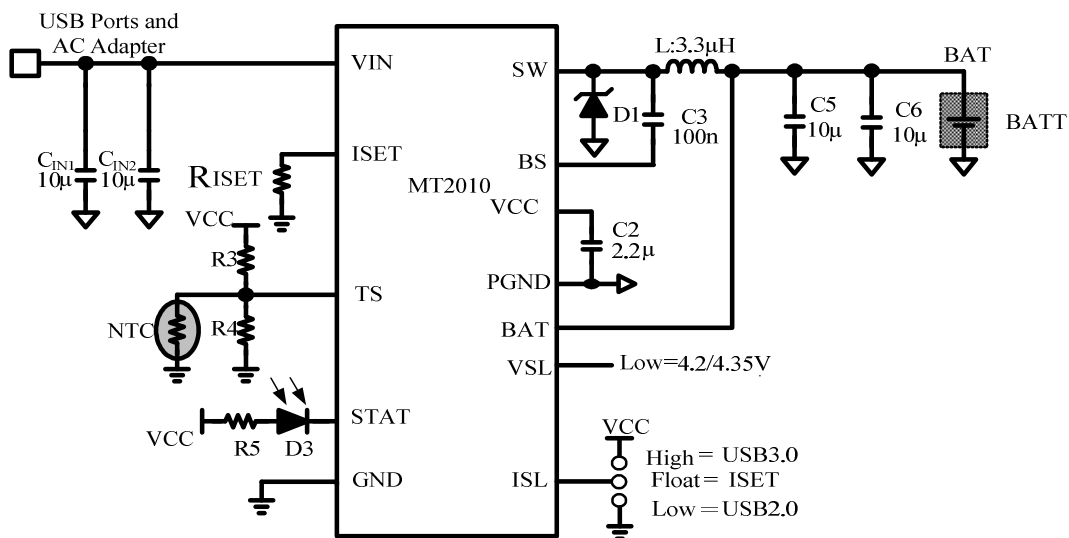
The MT2010 is a compact, flexible, high-efficiency, USB-friendly switch-mode charge management device for 2.5A single-cell Li-ion and Li-polymer batteries used in a wide range of portable applications. The MT2010 integrates a synchronous PWM controller, 20V rating power MOSFETs, charge current sensing, overvoltage protection, charge current and voltage regulation, and charge termination, into a small 14-pin 4mmx3mm DFN package.

FEATURES

- 1.5MHz Synchronous Switching Charger with Integrated Power FETs
- Up to 93% Efficiency
- 20V Input Rating with 6.7V OVP
- Programmable (2.5A Max) Constant Charge Current
- Built-in Charge Current Sense Resistor
- Built-in Charge Current Soft Start
- Built-in Reverse Current Blocking Diode
- Output Short Circuit Protection
- Thermal Temperature Regulation
- Cover USB 2.0 and USB 3.0 Input Specification
- Available in a 4mmx3mm DFN-14 Package

APPLICATIONS

- Tablet PC, Ebook and Netbook
- Handheld Portable Media Products



MT2010 Typical Operating Circuit