

FLASH AND SRAM COMBO MEMORY

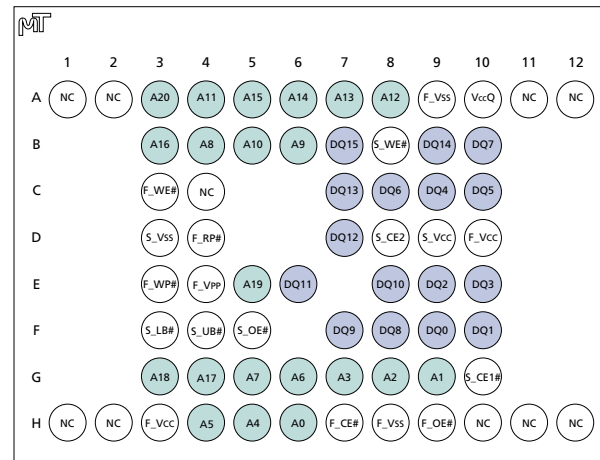
MT28C3224P20 MT28C3224P18

Low Voltage, Extended Temperature
0.18µm Process Technology

FEATURES

- Flexible dual-bank architecture
- Support for true concurrent operations with no latency:
 - Read bank *b* during program bank *a* and vice versa
 - Read bank *b* during erase bank *a* and vice versa
- Organization: 2,048K x 16 (Flash)
256K x 16 (SRAM)
- Basic configuration:
 - Flash*
 - Bank *a* (8Mb Flash for data storage)
 - Eight 4K-word parameter blocks
 - Fifteen 32K-word blocks
 - Bank *b* (24Mb Flash for program storage)
 - Forty-eight 32K-word main blocks
 - SRAM*
 - 4Mb SRAM for data storage
 - 256K-words
- F_VCC, VccQ, F_VPP, S_VCC voltages
 - MT28C3224P20
 - 1.80V (MIN)/2.20V (MAX) F_VCC read voltage
 - 1.80V (MIN)/2.20V (MAX) S_VCC read voltage
 - 1.80V (MIN)/2.20V (MAX) VccQ
 - MT28C3224P18
 - 1.70V (MIN)/1.90V (MAX) F_VCC read voltage
 - 1.70V (MIN)/1.90V (MAX) S_VCC read voltage
 - 1.70V (MIN)/1.90V (MAX) VccQ
 - MT28C3224P20/P18
 - 1.80V (TYP) F_VPP (in-system PROGRAM/ERASE)
 - 1.0V (MIN) S_VCC (SRAM data retention)
 - 12V ±5% (HV) F_VPP (production programming compatibility)
- Asynchronous access time
 - Flash access time: 80ns @ 1.80V F_VCC
 - SRAM access time: 85ns @ 1.80V S_VCC
- Page Mode read access
 - Interpage read access: 80ns @ 1.80V F_VCC
 - Intrapage read access: 30ns @ 1.80V F_VCC
- Low power consumption
- Enhanced suspend options
 - ERASE-SUSPEND-to-READ within same bank
 - PROGRAM-SUSPEND-to-READ within same bank
 - ERASE-SUSPEND-to-PROGRAM within same bank
- Read/Write SRAM during program/erase of Flash
- Dual 64-bit chip protection registers for security purposes

BALL ASSIGNMENT 66-Ball FBGA (Top View)



Top View
(Ball Down)

- PROGRAM/ERASE cycles
 - 100,000 WRITE/ERASE cycles per block
- Cross-compatible command set support
 - Extended command set
 - Common flash interface (CFI) compliant

OPTIONS

- Timing
 - 80ns
 - 85ns
- Boot Block Configuration
 - Top T
 - Bottom B
- Operating Voltage Range
 - Vcc = 1.70V–1.90V 18
 - Vcc = 1.80V–2.20V 20
- Operating Temperature Range
 - Commercial (0°C to +70°C) None
 - Extended (-40°C to +85°C) ET
- Package
 - 66-ball FBGA (8 x 8 grid) FL

MARKING

Part Number Example:
MT28C3224P20FL-80 BET



2 MEG x 16 PAGE FLASH 256K x 16 SRAM COMBO MEMORY

GENERAL DESCRIPTION

The MT28C3224P20 and MT28C3224P18 combination Flash and SRAM memory devices provide a compact, low-power solution for systems where PCB real estate is at a premium. The dual-bank Flash devices are high-performance, high-density, nonvolatile memory with a revolutionary architecture that can significantly improve system performance.

This new architecture features:

- A two-memory-bank configuration supporting dual-bank operation;
- A high-performance bus interface providing a fast page data transfer; and
- A conventional asynchronous bus interface.

The devices also provide soft protection for blocks by configuring soft protection registers with dedicated command sequences. For security purposes, dual 64-bit chip protection registers are provided.

The embedded WORD WRITE and BLOCK ERASE functions are fully automated by an on-chip write state machine (WSM). The WSM simplifies these operations and relieves the system processor of secondary tasks. An on-chip status register, one for each bank, can be used to monitor the WSM status to determine the progress of a PROGRAM/ERASE command.

The erase/program suspend functionality allows compatibility with existing EEPROM emulation software packages.

The devices take advantage of a dedicated power source for the Flash memory (F_Vcc) and a dedicated power source for the SRAM memory (S_Vcc), both at 1.70V–2.20V for optimized power consumption and improved noise immunity. A dedicated I/O power supply (VccQ) is provided with an extended range (1.70V–2.20V), to allow a direct interface to most common logic controllers and to ensure improved noise immunity.

The separate S_Vcc pin for the SRAM provides data retention capability when required. The data retention S_Vcc is specified as low as 1.0V. The MT28C3224P20 and MT28C3224P18 devices support two Vpp voltage ranges, an in-circuit voltage of 0.9V–2.2V and a production compatibility voltage of 12V ±5%. The 12V ±5% Vpp2 is supported for a maximum of 100 cycles and 10 cumulative hours.

The MT28C3224P20 and MT28C3224P18 devices contain an asynchronous 4Mb SRAM organized as 256K-words by 16 bits. These devices are fabricated using an advanced CMOS process and high-speed/ultra-low-power circuit technology.

The devices are packaged in a 66-ball FBGA package with 0.80mm pitch.

ARCHITECTURE AND MEMORY ORGANIZATION

The Flash memory contains two separate memory banks (bank *a* and bank *b*) for simultaneous READ and WRITE operations. Bank *a* is 8Mb deep and contains 8 x 4K-word parameter blocks and fifteen 32K-word blocks. Bank *b* is 24Mb deep, is equally sectored, and contains forty-eight 32K-word blocks.

Figures 2 and 3 show the top and bottom memory organizations.

DEVICE MARKING

Due to the size of the package, Micron's standard part number is not printed on the top of each device. Instead, an abbreviated device mark comprised of a five-digit alphanumeric code is used. The abbreviated device marks are cross referenced to Micron part numbers in Table 1.

Table 1
Cross Reference for Abbreviated Device Marks

PART NUMBER	PRODUCT MARKING	SAMPLE MARKING	MECHANICAL SAMPLE MARKING
MT28C3224P20FL-80 BET	FW448	FX448	FY448
MT28C3224P20FL-80 TET	FW446	FX446	FY446
MT28C3224P18FL-85 BET	FW449	FX449	FY449
MT28C3224P18FL-85 TET	FW450	FX450	FY450



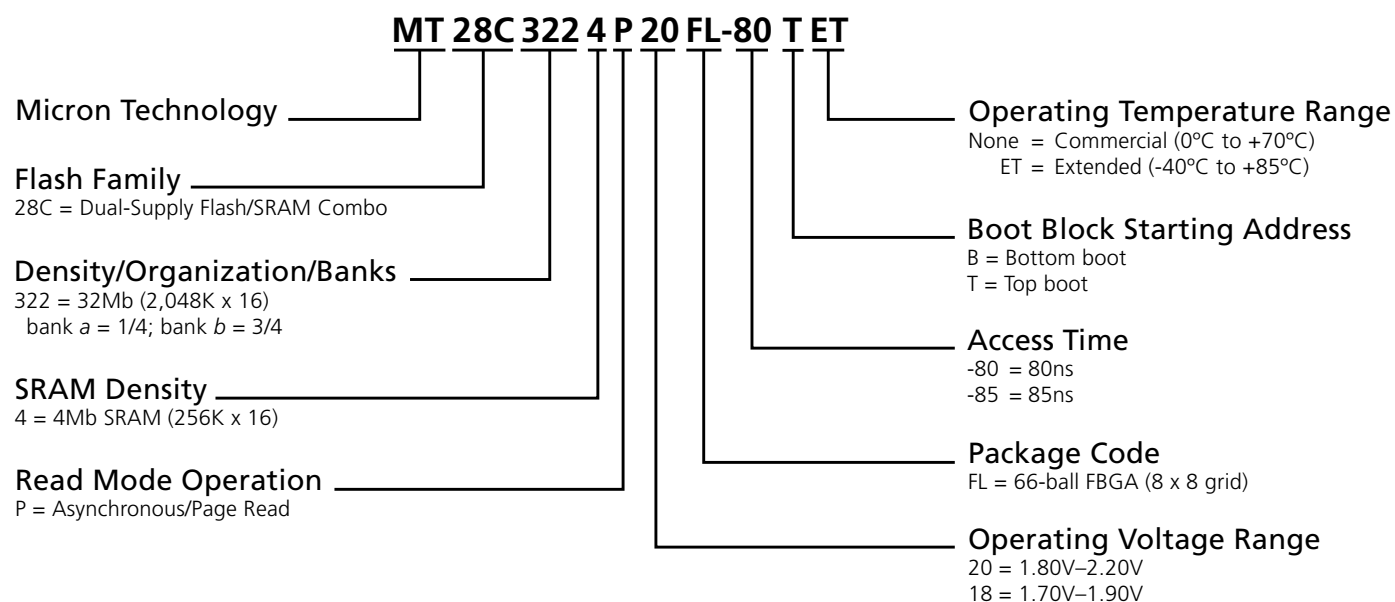
**2 MEG x 16 PAGE FLASH
256K x 16 SRAM COMBO MEMORY**

PART NUMBERING INFORMATION

Micron’s low-power devices are available with several different combinations of features (see Figure 1).

Valid combinations of features and their corresponding part numbers are listed in Table 2.

**Figure 1
Part Number Chart**



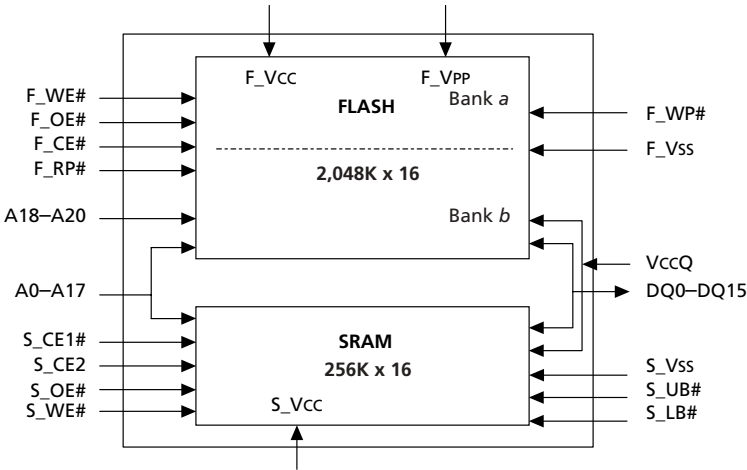
**Table 2
Valid Part Number Combinations**

PART NUMBER	ACCESS TIME (ns)	BOOT BLOCK STARTING ADDRESS	OPERATING TEMPERATURE RANGE
MT28C3224P20FL-80 BET	80	Bottom	-40°C to +85°C
MT28C3224P20FL-80 TET	80	Top	-40°C to +85°C
MT28C3224P18FL-85 BET	85	Bottom	-40°C to +85°C
MT28C3224P18FL-85 TET	85	Top	-40°C to +85°C

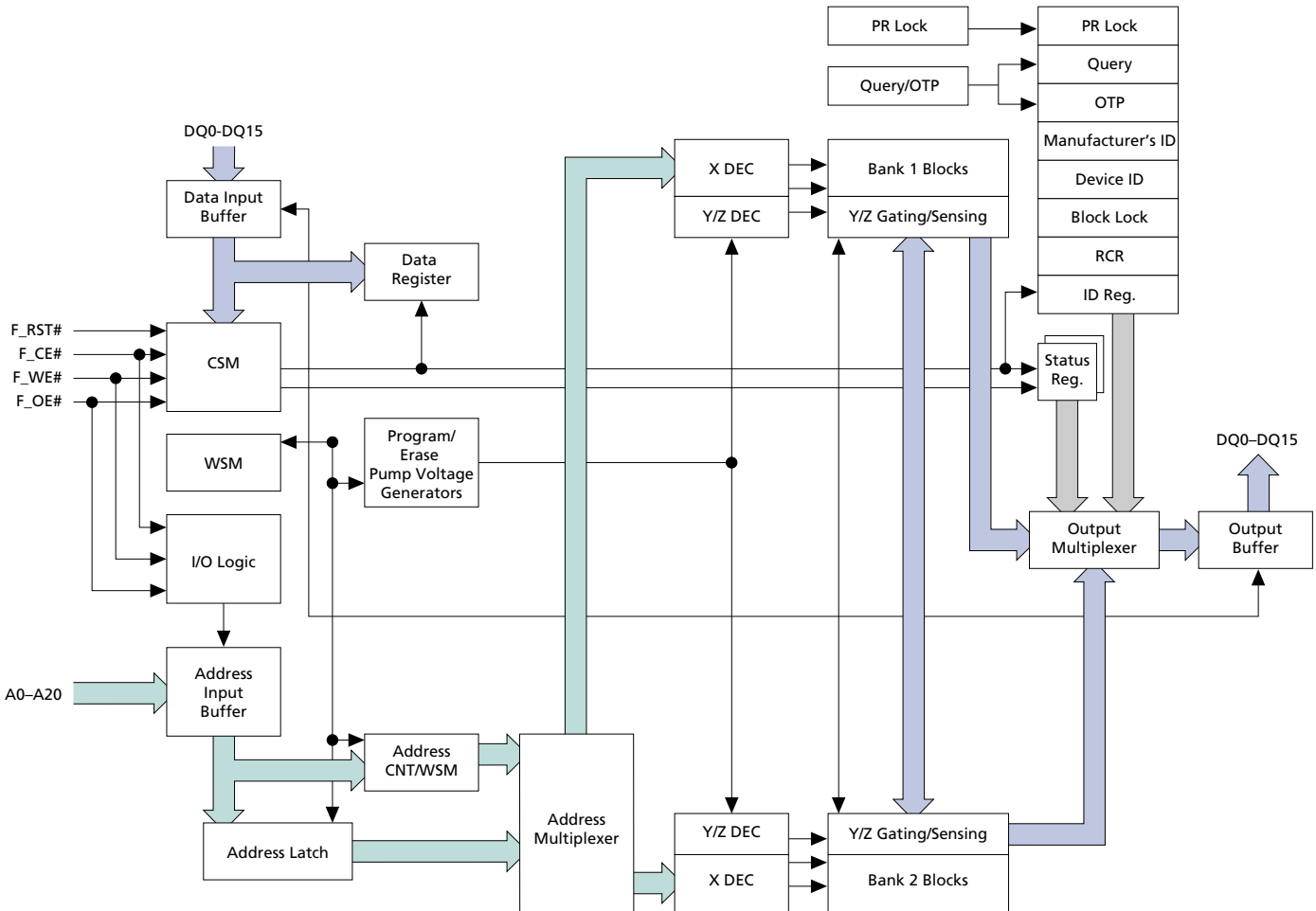


2 MEG x 16 PAGE FLASH 256K x 16 SRAM COMBO MEMORY

BLOCK DIAGRAM



FLASH FUNCTIONAL BLOCK DIAGRAM




BALL DESCRIPTIONS

66-BALL FBGA NUMBERS	SYMBOL	TYPE	DESCRIPTION
H6, G9, G8, G7, H5, H4, G6, G5, B4, B6, B5, A4, A8, A7, A6, A5, B3, G4, G3, E5, A3	A0–A20	Input	Address Inputs: Inputs for the addresses during READ and WRITE operations. Addresses are internally latched during READ and WRITE cycles. Flash: A0–A20; SRAM: A0–A17.
H7	F_CE#	Input	Flash Chip Enable: Activates the device when LOW. When CE# is HIGH, the device is disabled and goes into standby power mode.
H9	F_OE#	Input	Flash Output Enable: Enables Flash output buffers when LOW. When F_OE# is HIGH, the output buffers are disabled.
C3	F_WE#	Input	Flash Write Enable: Determines if a given cycle is a Flash WRITE cycle. F_WE# is active LOW.
D4	F_RP#	Input	Reset. When F_RP# is a logic LOW, the device is in reset, which drives the outputs to High-Z and resets the WSM. When F_RP# is a logic HIGH, the device is in standard operation. When F_RP# transitions from logic LOW to logic HIGH, the device resets all blocks to locked and defaults to the read array mode.
E3	F_WP#	Input	Flash Write Protect. Controls the lock down function of the flexible locking feature.
G10	S_CE1#	Input	SRAM Chip Enable1: Activates the SRAM when it is LOW. HIGH level deselects the SRAM and reduces the power consumption to standby levels.
D8	S_CE2	Input	SRAM Chip Enable2: Activates the SRAM when it is HIGH. LOW level deselects the SRAM and reduces the power consumption to standby levels.
F5	S_OE#	Input	SRAM Output Enable: Enables SRAM output buffers when LOW. When S_OE# is HIGH, the output buffers are disabled.
B8	S_WE#	Input	SRAM Write Enable: Determines if a given cycle is an SRAM WRITE cycle. S_WE# is active LOW.
F3	S_LB#	Input	SRAM Lower Byte: When LOW, it selects the SRAM address lower byte (DQ0–DQ7).
F4	S_UB#	Input	SRAM Upper Byte: When LOW, it selects the SRAM address upper byte (DQ8–DQ15).
F9, F10, E9, E10, C9, C10, C8, B10, F8, F7, E8, E6, D7, C7, B9, B7	DQ0–DQ15	Input/ Output	Data Inputs/Outputs: Input array data on the second CE# and WE# cycle during PROGRAM command. Input commands to the command user interface when CE# and WE# are active. Output data when CE# and OE# are active.

(continued on next page)


BALL DESCRIPTIONS (continued)

66-BALL FBGA NUMBERS	SYMBOL	TYPE	DESCRIPTION
E4	F_VPP	Input/Supply	Flash Program/Erase Power Supply: [0.9V–2.2V or 11.4V–12.6V]. Operates as input at logic levels to control complete device protection. Provides backward compatibility for factory programming when driven to 11.4V–12.6V. A lower F_VPP voltage range (0.0V–2.2V) is available. Contact factory for more information.
D10, H3	F_Vcc	Supply	Flash Power Supply: [1.70V–1.90V or 1.80V–2.20V]. Supplies power for device operation.
A9, H8	F_Vss	Supply	Flash Specific Ground: Do not float any ground pin.
D9	S_Vcc	Supply	SRAM Power Supply: [1.70V–1.90V or 1.80V–2.20V]. Supplies power for device operation.
D3	S_Vss	Supply	SRAM Specific Ground: Do not float any ground pin.
A10	VccQ	Supply	I/O Power Supply: [1.70–1.90V or 1.80V–2.20V].
A1, A2, A11, A12, C4, H1, H2, H10, H11, H12	NC	–	No Connect: Lead is not internally connected; it may be driven or floated.



2 MEG x 16 PAGE FLASH 256K x 16 SRAM COMBO MEMORY

TRUTH TABLE – FLASH

MODES	FLASH SIGNALS				SRAM SIGNALS						MEMORY OUPUT		NOTES
	F_RP#	F_CE#	F_OE#	F_WE#	S_CE1#	S_CE2	S_OE#	S_WE#	S_UB#	S_LB#	MEMORY BUS CONTROL	DQ0–DQ15	
Read	H	L	L	H	SRAM must be High-Z						Flash	DOUT	1, 2, 3
Write	H	L	H	L	SRAM must be High-Z						Flash	DIN	1
Standby	H	H	X	X	SRAM any mode allowable						Other	High-Z	4
Output Disable	H	L	H	H	SRAM any mode allowable						Other	High-Z	4, 5
Reset	L	X	X	X	SRAM any mode allowable						Other	High-Z	4, 6

TRUTH TABLE – SRAM

MODES	FLASH SIGNALS				SRAM SIGNALS						MEMORY OUPUT		NOTES
	F_RP#	F_CE#	F_OE#	F_WE#	S_CE1#	S_CE2	S_OE#	S_WE#	S_UB#	S_LB#	MEMORY BUS CONTROL	DQ0–DQ15	
Read	Flash must be High-Z				SRAM must be High-Z						SRAM		1, 3
DQ0–DQ15					L	H	L	H	L	L	SRAM	DOUT	
DQ0–DQ7					L	H	L	H	H	L	SRAM	DOUT LB	
DQ8–DQ15					L	H	L	H	L	H	SRAM	DOUT UB	8
Write	Flash must be High-Z				SRAM must be High-Z						SRAM		1, 3
DQ0–DQ15					L	H	H	L	L	L	SRAM	DIN	
DQ0–DQ7					L	H	H	L	H	L	SRAM	DIN LB	
DQ8–DQ15					L	H	H	L	L	H	SRAM	DIN UB	10
Standby	Flash any mode allowable				SRAM any mode allowable						Other		4
Output Disable					H	X	X	X	X	X	Other	High-Z	
Output Disable	Flash any mode allowable				SRAM any mode allowable						Other		4
Output Disable					X	L	X	X	X	X	Other	High-Z	
Output Disable	Flash any mode allowable				SRAM any mode allowable						Other		4
Output Disable					L	H	X	X	X	X	Other	High-Z	

- NOTE:**
- Two devices may not drive the memory bus at the same time.
 - Allowable Flash read modes include read array, read query, read configuration, and read status.
 - Outputs are dependent on a separate device controlling bus outputs.
 - Modes of the Flash and SRAM can be interleaved so that while one is disabled, the other controls outputs.
 - SRAM is enabled and/or disabled with the logical function: S_CE1# or S_CE2.
 - Simultaneous operations can exist, as long as the operations are interleaved such that only one device attempts to control the bus outputs at a time.
 - Data output on lower byte only; upper byte High-Z.
 - Data output on upper byte only; lower byte High-Z.
 - Data input on lower byte only.
 - Data input on upper byte only.



2 MEG x 16 PAGE FLASH 256K x 16 SRAM COMBO MEMORY

Figure 2
Bottom Boot Block Device

FLASH

Bank b = 24Mb		
Block	Block Size (K-bytes/K-words)	Address Range (x16)
70	64/32	1F8000h-1FFFFFh
69	64/32	1F0000h-1F7FFFh
68	64/32	1E8000h-1EFFFFh
67	64/32	1E0000h-1E7FFFh
66	64/32	1D8000h-1DFFFFh
65	64/32	1D0000h-1D7FFFh
64	64/32	1C8000h-1CFFFFh
63	64/32	1C0000h-1C7FFFh
62	64/32	1B8000h-1BFFFFh
61	64/32	1B0000h-1B7FFFh
60	64/32	1A8000h-1AFFFFh
59	64/32	1A0000h-1A7FFFh
58	64/32	198000h-19FFFFh
57	64/32	190000h-197FFFh
56	64/32	188000h-18FFFFh
55	64/32	180000h-187FFFh
54	64/32	178000h-17FFFFh
53	64/32	170000h-177FFFh
52	64/32	168000h-16FFFFh
51	64/32	160000h-167FFFh
50	64/32	158000h-15FFFFh
49	64/32	150000h-157FFFh
48	64/32	148000h-14FFFFh
47	64/32	140000h-147FFFh
46	64/32	138000h-13FFFFh
45	64/32	130000h-137FFFh
44	64/32	128000h-12FFFFh
43	64/32	120000h-127FFFh
42	64/32	118000h-11FFFFh
41	64/32	110000h-117FFFh
40	64/32	108000h-10FFFFh
39	64/32	100000h-107FFFh
38	64/32	0F8000h-0FFFFFh
37	64/32	0F0000h-0F7FFFh
36	64/32	0E8000h-0EFFFFh
35	64/32	0E0000h-0E7FFFh
34	64/32	0D8000h-0DFFFFh
33	64/32	0D0000h-0D7FFFh
32	64/32	0C8000h-0CFFFFh
31	64/32	0C0000h-0C7FFFh
30	64/32	0B8000h-0BFFFFh
29	64/32	0B0000h-0B7FFFh
28	64/32	0A8000h-0AFFFFh
27	64/32	0A0000h-0A7FFFh
26	64/32	098000h-097FFFh
25	64/32	090000h-097FFFh
24	64/32	088000h-087FFFh
23	64/32	080000h-087FFFh

Bank a = 8Mb		
Block	Block Size (K-bytes/K-words)	Address Range (x16)
22	64/32	078000h-07FFFFh
21	64/32	070000h-077FFFh
20	64/32	068000h-067FFFh
19	64/32	060000h-067FFFh
18	64/32	058000h-05FFFFh
17	64/32	050000h-057FFFh
16	64/32	048000h-04FFFFh
15	64/32	040000h-047FFFh
14	64/32	038000h-03FFFFh
13	64/32	030000h-037FFFh
12	64/32	028000h-02FFFFh
11	64/32	020000h-027FFFh
10	64/32	018000h-01FFFFh
9	64/32	010000h-017FFFh
8	64/32	008000h-00FFFFh
7	8/4	007000h-007FFFh
6	8/4	006000h-006FFFh
5	8/4	005000h-005FFFh
4	8/4	004000h-004FFFh
3	8/4	003000h-003FFFh
2	8/4	002000h-002FFFh
1	8/4	001000h-001FFFh
0	8/4	000000h-000FFFh



2 MEG x 16 PAGE FLASH 256K x 16 SRAM COMBO MEMORY

Figure 3
Top Boot Block Device

FLASH

Bank a = 8Mb		
Block	Block Size (K-bytes/K-words)	Address Range (x16)
70	8/4	1FF000h-1FFFFFh
69	8/4	1FE000h-1FEFFFh
68	8/4	1FD000h-1FDFFFh
67	8/4	1FC000h-1FCFFFh
66	8/4	1FB000h-1FBFFFh
65	8/4	1FA000h-1FAFFFh
64	8/4	1F9000h-1F9FFFh
63	8/4	1F8000h-1F8FFFh
62	64/32	1F0000h-1F7FFFh
61	64/32	1E8000h-1EFFFFh
60	64/32	1E0000h-1E7FFFh
59	64/32	1D8000h-1D7FFFh
58	64/32	1D0000h-1D7FFFh
57	64/32	1C8000h-1C7FFFh
56	64/32	1C0000h-1C7FFFh
55	64/32	1B8000h-1B7FFFh
54	64/32	1B0000h-1B7FFFh
53	64/32	1A8000h-1A7FFFh
52	64/32	1A0000h-1A7FFFh
51	64/32	198000h-197FFFh
50	64/32	190000h-197FFFh
49	64/32	188000h-187FFFh
48	64/32	180000h-187FFFh

Bank b = 24Mb		
Block	Block Size (K-bytes/K-words)	Address Range (x16)
47	64/32	178000h-177FFFh
46	64/32	170000h-177FFFh
45	64/32	168000h-166FFFh
44	64/32	160000h-167FFFh
43	64/32	158000h-155FFFh
42	64/32	150000h-157FFFh
41	64/32	148000h-14FFFFh
40	64/32	140000h-147FFFh
39	64/32	138000h-137FFFh
38	64/32	130000h-137FFFh
37	64/32	128000h-12FFFFh
36	64/32	120000h-127FFFh
35	64/32	118000h-11FFFFh
34	64/32	110000h-117FFFh
33	64/32	108000h-10FFFFh
32	64/32	100000h-107FFFh
31	64/32	0F8000h-0FFFFFh
30	64/32	0F0000h-0F7FFFh
29	64/32	0E8000h-0EFFFFh
28	64/32	0E0000h-0E7FFFh
27	64/32	0D8000h-0DFFFFh
26	64/32	0D0000h-0D7FFFh
25	64/32	0C8000h-0CFFFFh
24	64/32	0C0000h-0C7FFFh
23	64/32	0B8000h-0BFFFFh
22	64/32	0B0000h-0B7FFFh
21	64/32	0A8000h-0AFFFFh
20	64/32	0A0000h-0A7FFFh
19	64/32	098000h-09FFFFh
18	64/32	090000h-097FFFh
17	64/32	088000h-08FFFFh
16	64/32	080000h-087FFFh
15	64/32	078000h-07FFFFh
14	64/32	070000h-077FFFh
13	64/32	068000h-06FFFFh
12	64/32	060000h-067FFFh
11	64/32	058000h-05FFFFh
10	64/32	050000h-057FFFh
9	64/32	048000h-04FFFFh
8	64/32	040000h-047FFFh
7	64/32	038000h-03FFFFh
6	64/32	030000h-037FFFh
5	64/32	028000h-02FFFFh
4	64/32	020000h-027FFFh
3	64/32	018000h-01FFFFh
2	64/32	010000h-017FFFh
1	64/32	008000h-00FFFFh
0	64/32	000000h-007FFFh



FLASH MEMORY OPERATING MODES

COMMAND STATE MACHINE

Commands are issued to the command state machine (CSM) using standard microprocessor write timings. The CSM acts as an interface between external microprocessors and the internal write state machine (WSM). The available commands are listed in Table 3, their definitions are given in Table 4 and their descriptions in Table 5. Program and erase algorithms are automated by the on-chip WSM. For more specific information about the CSM transition states, see Micron technical note TN-28-33, "Command State Machine Description and Command Definition."

Once a valid PROGRAM/ERASE command is entered, the WSM executes the appropriate algorithm, which generates the necessary timing signals to control the device internally. A command is valid only if the exact sequence of WRITES is completed. After the WSM completes its task, the write state machine status (WSMS) bit (SR7) (see Table 7) is set to a logic HIGH level (V_{IH}), allowing the CSM to respond to the full command set again.

OPERATIONS

Device operations are selected by entering a standard JEDEC 8-bit command code with conventional microprocessor timings into an on-chip CSM through I/Os DQ0–DQ7. The number of bus cycles required to activate a command is typically one or two. The first operation is always a WRITE. Control signals $F_{CE\#}$ and $F_{WE\#}$ must be at a logic LOW level (V_{IL}), and $F_{OE\#}$ and $F_{RP\#}$ must be at logic HIGH (V_{IH}). The second operation, when needed, can be a WRITE or a READ depending upon the command. During a READ operation, control signals $F_{CE\#}$ and $F_{OE\#}$ must be at a

logic LOW level (V_{IL}), and $F_{WE\#}$ and $F_{RP\#}$ must be at logic HIGH (V_{IH}).

Table 6 illustrates the bus operations for all the modes: write, read, reset, standby, and output disable.

When the device is powered up, internal reset circuitry initializes the chip to a read array mode of operation. Changing the mode of operation requires that a command code be entered into the CSM. For each one of the two Flash memory partitions, an on-chip status register is available. These two registers allow the monitoring of the progress of various operations that can take place on a memory bank. One of the two status registers is interrogated by entering a READ STATUS REGISTER command onto the CSM (cycle 1), specifying an address within the memory partition boundary, and reading the register data on I/O pins DQ0–DQ7 (cycle 2). Status register bits SR0–SR7 correspond to DQ0–DQ7 (see Table 7).

COMMAND DEFINITION

Once a specific command code has been entered, the WSM executes an internal algorithm, generating the necessary timing signals to program, erase, and verify data. See Table 4 for the CSM command definitions and data for each of the bus cycles.

STATUS REGISTER

The status register allows the user to determine whether the state of a PROGRAM/ERASE operation is pending or complete. The status register is monitored by toggling $F_{OE\#}$ and $F_{CE\#}$ and reading the resulting status code on I/Os DQ0–DQ7. The high-order I/Os (DQ8–DQ15) are set to 00h internally, so only the low-

Table 3
Command State Machine Codes For Device Mode Selection

COMMAND DQ0–DQ7	CODE ON DEVICE MODE
40h/10h	Program setup/alternate program setup
20h	Block erase setup
50h	Clear status register
60h	Protection configuration setup
70h	Read status register
90h	Read protection configuration register
98h	Read query
B0h	Program/erase suspend
C0h	Protection register program/lock
D0h	Program/erase resume – erase confirm
FFh	Read array



order I/Os (DQ0–DQ7) need to be interpreted. Address lines select the status register pertinent to the selected memory partition.

Register data is updated and latched on the falling edge of F_OE# or F_CE#, whichever occurs last. Latching the data prevents errors from occurring if the register input changes during a status register read.

The status register provides the internal state of the WSM to the external microprocessor. During periods when the WSM is active, the status register can be polled to determine the WSM status. Table 7 defines the status register bits.

After monitoring the status register during a PROGRAM/ERASE operation, the data appearing on DQ0–DQ7 remains as status register data until a new command is issued to the CSM. To return the device to other modes of operation, a new command must be issued to the CSM.

COMMAND STATE MACHINE OPERATIONS

The CSM decodes instructions for the commands listed in Table 3. The 8-bit command code is input to the device on DQ0–DQ7 (see Table 4 for command definitions). During a PROGRAM or ERASE cycle, the CSM informs the WSM that a PROGRAM or ERASE cycle has been requested.

During a PROGRAM cycle, the WSM controls the program sequences and the CSM responds to a PROGRAM SUSPEND command only.

During an ERASE cycle, the CSM responds to an ERASE SUSPEND command only. When the WSM has completed its task, the WSMS bit (SR7) is set to a logic HIGH level and the CSM responds to the full command set. The CSM stays in the current command state until the microprocessor issues another command.

The WSM successfully initiates an ERASE or PROGRAM operation only when V_{PP} is within its correct voltage range.

Table 4
Command Definitions

COMMAND	FIRST BUS CYCLE			SECOND BUS CYCLE		
	OPERATION	ADDRESS ¹	DATA	OPERATION	ADDRESS ¹	DATA
READARRAY	WRITE	WA	FFh			
READ PROTECTION CONFIGURATION REGISTER	WRITE	IA	90h	READ	IA	ID
READ STATUS REGISTER	WRITE	BA	70h	READ	BA	SRD
CLEAR STATUS REGISTER	WRITE	BA	50h			
READ QUERY	WRITE	QA	98h	READ	QA	QD
BLOCK ERASE SETUP	WRITE	BA	20h	WRITE	BA	D0h
PROGRAM SETUP/ALTERNATE PROGRAM SETUP	WRITE	WA	40h/10h	WRITE	WA	WD
PROGRAM/ERASE SUSPEND	WRITE	BA	B0h			
PROGRAM/ERASE RESUME – ERASE CONFIRM	WRITE	BA	D0h			
LOCK BLOCK	WRITE	BA	60h	WRITE	BA	01h
UNLOCK BLOCK	WRITE	BA	60h	WRITE	BA	D0h
LOCK DOWN BLOCK	WRITE	BA	60h	WRITE	BA	2Fh
PROTECTION REGISTER PROGRAM	WRITE	PA	C0h	WRITE	PA	PD
PROTECTION REGISTER LOCK	WRITE	LPA	C0h	WRITE	LPA	FFDh

NOTE: 1. BA: Address within the block
 IA: Identification code address
 ID: Identification code data
 LPA: Lock protection register address
 PA: Protection register address
 PD: Data to be written at location PA
 QA: Query code address
 QD: Query code data
 SRD: Data read from the status register
 WA: Word address of memory location to be written, or read
 WD: Data to be written at the location WA



**Table 5
Command Descriptions**

CODE	DEVICE MODE	BUS CYCLE	DESCRIPTION
10h	Alt. Program Setup	First	Operates the same as a PROGRAM SETUP command.
20h	Erase Setup	First	Prepares the CSM for an ERASE CONFIRM command. If the next command is not an ERASE CONFIRM command, the command will be ignored, and the device will go to read status mode and wait for another command.
40h	Program Setup	First	A two-cycle command: The first cycle prepares for a PROGRAM operation, the second cycle latches addresses and data and initiates the WSM to execute the program algorithm. The Flash outputs status register data on the falling edge of F_OE# or F_CE#, whichever occurs first.
50h	Clear Status Register	First	The WSM can set the program status (SR4), and erase status (SR5) bits in the status register to "1," but it cannot clear them to "0." Issuing this command clears those bits to "0."
60h	Protection Configuration Setup	First	Prepares the CSM for changes to the block locking status. If the next command is not BLOCK UNLOCK, BLOCK LOCK or BLOCK LOCK DOWN, the command will be ignored, and the device will go to read status mode.
70h	Read Status Register	First	Places the device into read status register mode. Reading the device outputs the contents of the status register for the addressed bank. The device automatically enters this mode for the addressed bank after a PROGRAM or ERASE operation has been initiated.
90h	Read Protection Configuration	First	Puts the device into the read protection configuration mode so that reading the device outputs the manufacturer/device codes or block lock status.
98h	Read Query	First	Puts the device into the read query mode so that reading the device outputs common Flash interface information.
B0h	Program Suspend	First	Suspends the currently executing PROGRAM/ERASE operation. The status register indicates when the operation has been successfully suspended by setting either the program suspend (SR2) or erase suspend (SR6) and the WSMS bit (SR7) to a "1" (ready). The WSM continues to idle in the suspend state, regardless of the state of all input control pins except F_RP#, which immediately shuts down the WSM and the remainder of the chip if F_RP# is driven to V _{IL} .
	Erase Suspend	First	
C0h	Program Device Protection Register	First	Writes a specific code into the device protection register.
	Lock Device Protection Register	First	Locks the device protection register; data can no longer be changed.

(continued on the next page)



**Table 5
Command Descriptions (continued)**

CODE	DEVICE MODE	BUS CYCLE	DESCRIPTION
D0h	Erase Confirm	Second	If the previous command was an ERASE SETUP command, then the CSM closes the address and data latches, and it begins erasing the block indicated on the address pins. During programming/erase, the device responds only to the READ STATUS REGISTER, PROGRAM SUSPEND, or ERASE SUSPEND commands and outputs status register data on the falling edge of F_OE# or F_CE#, whichever occurs last.
	Program/Erase Resume	First	If a PROGRAM or ERASE operation was previously suspended, this command resumes the operation.
FFh	Read Array	First	During the array mode, array data is output on the data bus.
01h	Lock Block	Second	If the previous command was PROTECTION CONFIGURATION SETUP, the CSM latches the address and locks the block indicated on the address bus.
2Fh	Lock Down	Second	If the previous command was PROTECTION CONFIGURATION SETUP, the CSM latches the address and locks down the block indicated on the address bus.
D0h	Unlock Block	Second	If the previous command was PROTECTION CONFIGURATION SETUP, the CSM latches the address and unlocks the block indicated on the address bus. If the block had been previously set to lock down, this operation has no effect.
00h	Invalid/Reserved		Unassigned command that should not be used.



CLEAR STATUS REGISTER

The internal circuitry can set, but not clear, the block lock status bit (SR1), the V_{PP} status bit (SR3), the program status bit (SR4), and the erase status bit (SR5) of the status register. The CLEAR STATUS REGISTER command (50h) allows the external microprocessor to clear these status bits and synchronize to the internal operations. When the status bits are cleared, the device returns to the read array mode.

READ OPERATIONS

The following READ operations are available: READ ARRAY, READ PROTECTION CONFIGURATION REGISTER, READ QUERY and READ STATUS REGISTER.

READ ARRAY

The array is read by entering the command code FFh on DQ0–DQ7. Control signals F_{CE#} and F_{OE#} must be at a logic LOW level (V_{IL}), and F_{WE#} and F_{RP#} must be at a logic HIGH level (V_{IH}) to read data from the array. Data is available on DQ0–DQ15. Any valid address within any of the blocks selects that address and allows data to be read from that address. Upon initial power-up or device reset, the device defaults to the read array mode.

READ CHIP PROTECTION IDENTIFICATION DATA

The chip identification mode outputs three types of information: the manufacturer/device identifier, the block locking status, and the protection register. Two bus cycles are required for this operation: the chip identification data is read by entering the command code 90h on DQ0–DQ7 to the bank containing address 00h

and the identification code address on the address lines. Control signals F_{CE#} and F_{OE#} must be at a logic LOW level (V_{IL}), and F_{WE#} and F_{RP#} must be at a logic HIGH level (V_{IH}) to read data from the protection configuration register. Data is available on DQ0–DQ15. After data is read from the protection configuration register, the READ ARRAY command, FFh, must be issued to the bank containing address 00h prior to issuing other commands. See Table 9 for further details.

READ QUERY

The read query mode outputs common flash interface (CFI) data when the device is read (see Table 11). Two bus cycles are required for this operation. It is possible to access the query by writing the read query command code 98h on DQ0–DQ7 to the bank containing address 0h. Control signals F_{CE#} and F_{OE#} must be at a logic LOW level (V_{IL}), and F_{WE#} and F_{RP#} must be at a logic HIGH level (V_{IH}) to read data from the query. The CFI data structure contains information such as block size, density, command set, and electrical specifications. To return to read array mode, write the read array command code FFh on DQ0–DQ7.

READ STATUS REGISTER

The status register is read by entering the command code 70h on DQ0–DQ7. Two bus cycles are required for this operation: one to enter the command code and a second to read the status register. In a READ cycle, the address is latched and register data is updated on the falling edge of F_{OE#} or F_{CE#}, whichever occurs last.



PROGRAMMING OPERATIONS

There are two CSM commands for programming: PROGRAM SETUP and ALTERNATE PROGRAM SETUP (see Table 3).

After the desired command code is entered (10h or 40h command code on DQ0–DQ7), the WSM takes over and correctly sequences the device to complete the PROGRAM operation. The WRITE operation may be monitored through the status register (see the Status Register section). During this time, the CSM only responds to a PROGRAM SUSPEND command until the PROGRAM operation has been completed, after which time all commands to the CSM become valid again. The PROGRAM operation can be suspended by issuing a PROGRAM SUSPEND command (B0h). Once the WSM reaches the suspend state, it allows the CSM to respond only to READ ARRAY, READ STATUS REGISTER, READ PROTECTION CONFIGURATION, READ QUERY, PROGRAM SETUP, or PROGRAM RESUME. During the PROGRAM SUSPEND operation, array data should be read from an address other than the one being programmed. To resume the PROGRAM operation, a PROGRAM RESUME command (D0h) must be issued to cause the CSM to clear the suspend state previously set (see Figure 4 for programming operation and Figure 5 for program suspend and program resume).

Taking F_{RP#} to V_{IL} during programming aborts the PROGRAM operation.

ERASE OPERATIONS

An ERASE operation must be used to initialize all bits in an array block to “1s.” After BLOCK ERASE confirm is issued, the CSM responds only to an ERASE SUSPEND command until the WSM completes its task.

Block erasure inside the memory array sets all bits within the address block to logic 1s. Erase is accom-

plished only by blocks; data at single address locations within the array cannot be erased individually. The block to be erased is selected by using any valid address within that block. Block erasure is initiated by a command sequence to the CSM: BLOCK ERASE setup (20h) followed by BLOCK ERASE CONFIRM (D0h) (see Table 4). A two-command erase sequence protects against accidental erasure of memory contents.

When the BLOCK ERASE CONFIRM command is complete, the WSM automatically executes a sequence of events to complete the block erasure. During this sequence, the block is programmed with logic 0s, data is verified, all bits in the block are erased, and finally verification is performed to ensure that all bits are correctly erased. Monitoring of the ERASE operation is possible through the status register (see the Status Register section).

During the execution of an ERASE operation, the ERASE SUSPEND command (B0h) can be entered to direct the WSM to suspend the ERASE operation. Once the WSM has reached the suspend state, it allows the CSM to respond only to the READ ARRAY, READ STATUS REGISTER, READ QUERY, READ CHIP PROTECTION CONFIGURATION, PROGRAM SETUP, PROGRAM RESUME, ERASE RESUME and LOCK SETUP (see the Block Locking section). During the ERASE SUSPEND operation, array data must be read from a block other than the one being erased. To resume the ERASE operation, an ERASE RESUME command (D0h) must be issued to cause the CSM to clear the suspend state previously set (see Figure 7). It is also possible that an ERASE in any bank can be suspended and a WRITE to another block in the same bank can be initiated. After the completion of a WRITE, an ERASE can be resumed by writing an ERASE RESUME command.

Table 6
Bus Operations

MODE	F _{RP#}	F _{CE#}	F _{OE#}	F _{WE#}	ADDRESS	DQ0–DQ15
Read (array, status registers, device identification register, or query)	V _{IH}	V _{IL}	V _{IL}	V _{IH}	X	D _{OUT}
Standby	V _{IH}	V _{IH}	X	X	X	High-Z
Output Disable	V _{IH}	V _{IH}	X	X	X	High-Z
Reset	V _{IL}	X	X	X	X	High-Z
Write	V _{IH}	V _{IL}	V _{IH}	V _{IL}	X	D _{IN}



**Table 7
Status Register Bit Definition**

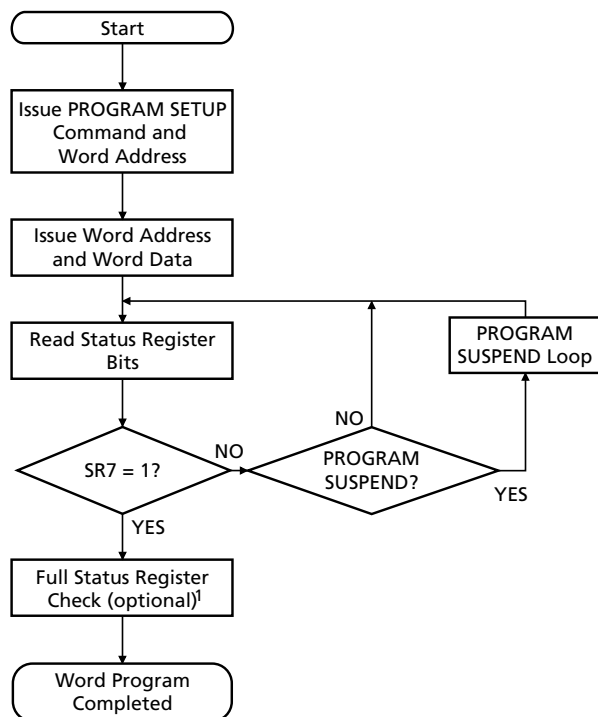
WSMS	ESS	ES	PS	V _{PP} S	PSS	BLS	R
7	6	5	4	3	2	1	0

STATUS BIT #	STATUS REGISTER BIT	DESCRIPTION
SR7	WRITE STATE MACHINE STATUS (WSMS) 1 = Ready 0 = Busy	Check write state machine bit first to determine word program or block erase completion, before checking program or erase status bits.
SR6	ERASE SUSPEND STATUS (ESS) 1 = BLOCK ERASE Suspended 0 = BLOCK ERASE in Progress/Completed	When ERASE SUSPEND is issued, WSM halts execution and sets both WSMS and ESS bits to "1." ESS bit remains set to "1" until an ERASE RESUME command is issued.
SR5	ERASE STATUS (ES) 1 = Error in Block Erasure 0 = Successful BLOCK ERASE	When this bit is set to "1," WSM has applied the maximum number of erase pulses to the block and is still unable to verify successful block erasure.
SR4	PROGRAM STATUS (PS) 1 = Error in PROGRAM 0 = Successful PROGRAM	When this bit is set to "1," WSM has attempted but failed to program a word.
SR3	V _{PP} STATUS (V _{PP} S) 1 = V _{PP} Low Detect, Operation Abort 0 = V _{PP} = OK	The V _{PP} status bit does not provide continuous indication of the V _{PP} level. The WSM interrogates the V _{PP} level only after the program or erase command sequences have been entered and informs the system if V _{PP} < 0.9V. The V _{PP} level is also checked before the PROGRAM/ERASE operation is verified by the WSM. A factory option allows PROGRAM or ERASE at 0V, in which case SR3 is held at "0."
SR2	PROGRAM SUSPEND STATUS (PSS) 1 = PROGRAM Suspended 0 = PROGRAM in Progress/Completed	When PROGRAM SUSPEND is issued, WSM halts execution and sets both WSM and PSS bits to "1." PSS bit remains set to "1" until a PROGRAM RESUME command is issued.
SR1	BLOCK LOCK STATUS (BLS) 1 = PROGRAM/ERASE Attempted on a Locked Block; Operation Aborted 0 = No Operation to Locked Blocks	If a PROGRAM or ERASE operation is attempted to one of the locked blocks, this is set by the WSM. The operation specified is aborted, and the device is returned to read status mode.
SR0	RESERVED FOR FUTURE ENHANCEMENT	This bit is reserved for future.

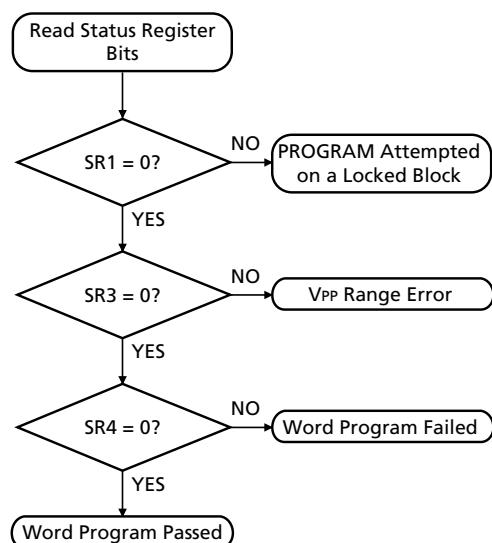


FLASH

Figure 4
Automated Word Programming
Flowchart



FULL STATUS REGISTER CHECK FLOW



BUS OPERATION	COMMAND	COMMENTS
WRITE	WRITE PROGRAM SETUP	Data = 40h or 10h Addr= Address of word to be programmed
WRITE	WRITE DATA	Data = Word to be programmed Addr= Address of word to be programmed
READ		Status register data; toggle OE# or CE# to update status register.
Standby		Check SR7 1 = Ready, 0 = Busy
Repeat for subsequent words. Write FFh after the last word programming operation to reset the device to read array mode.		

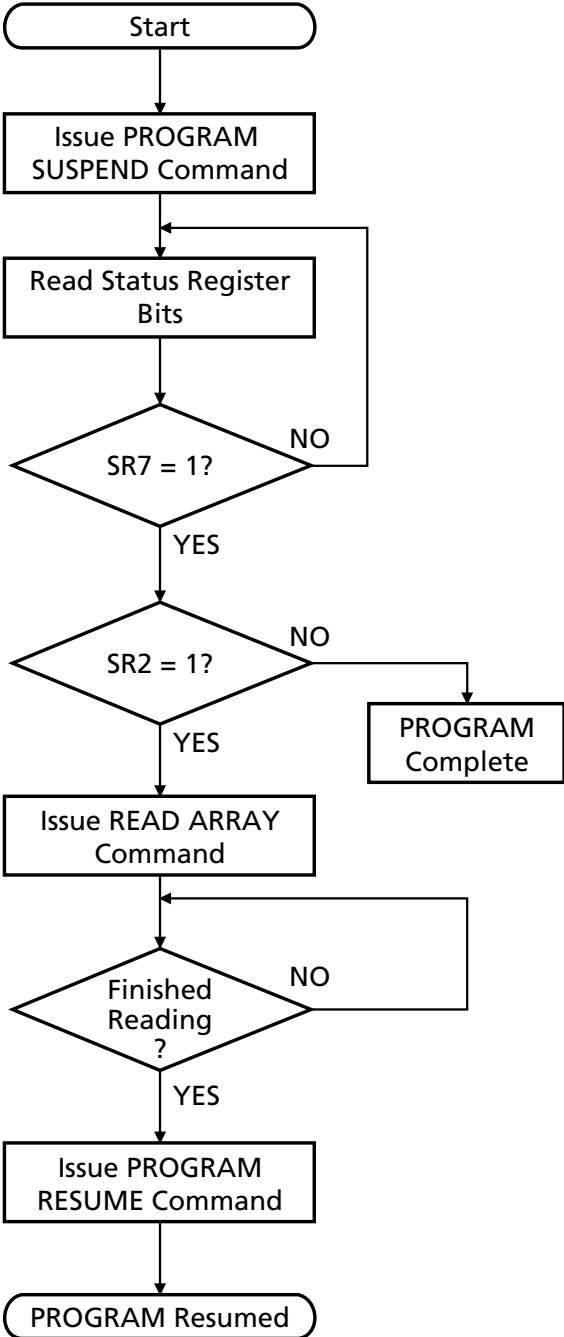
BUS OPERATION	COMMAND	COMMENTS
Standby		Check SR1 1 = Detect locked block
Standby		Check SR3 ² 1 = Detect V _{PP} low
Standby		Check SR4 ³ 1 = Word program error

- NOTE:**
1. Full status register check can be done after each word or after a sequence of words.
 2. SR3 must be cleared before attempting additional PROGRAM/ERASE operations.
 3. SR4 is cleared only by the CLEAR STATUS REGISTER command, but it does not prevent additional program operation attempts.



FLASH

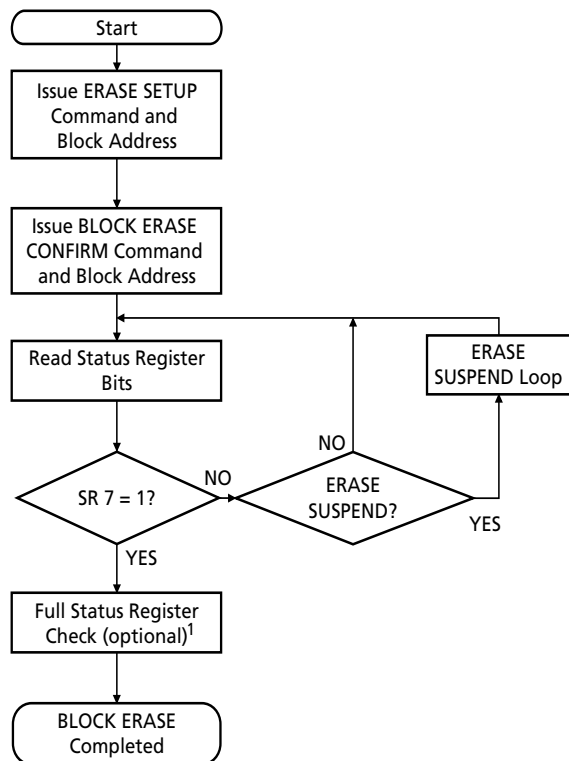
Figure 5
**PROGRAM SUSPEND/
PROGRAM RESUME Flowchart**



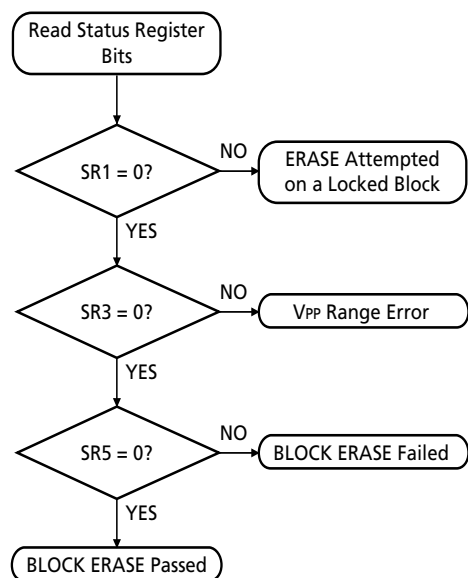
BUS OPERATION	COMMAND	COMMENTS
WRITE	PROGRAM SUSPEND	Data = B0h
READ		Status register data; toggle OE# or CE# to update status register.
Standby		Check SR7 1 = Ready
Standby		Check SR2 1 = Suspended
WRITE	READ MEMORY	Data = FFh
READ		Read data from block other than that being programmed.
WRITE	PROGRAM RESUME	Data = D0h



Figure 6
BLOCK ERASE Flowchart



FULL STATUS REGISTER CHECK FLOW



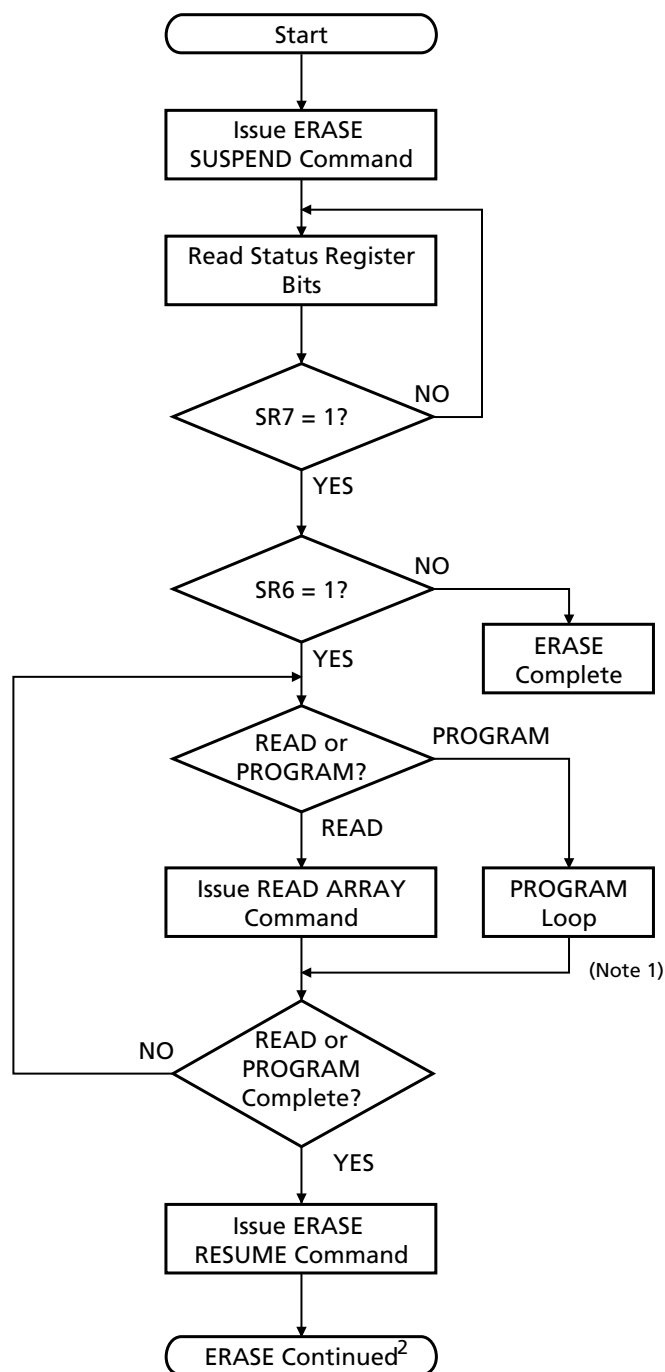
BUS OPERATION	COMMAND	COMMENTS
WRITE	WRITE ERASE SETUP	Data = 20h Block Addr = Address within block to be erased
WRITE	ERASE	Data = D0h Block Addr = Address within block to be erased
READ		Status register data; toggle OE# or CE# to update status register.
Standby		Check SR7 1 = Ready, 0 = Busy
Repeat for subsequent blocks. Write FFh after the last BLOCK ERASE operation to reset the device to read array mode.		

BUS OPERATION	COMMAND	COMMENTS
Standby		Check SR1 1 = Detect locked block
Standby		Check SR3 ² 1 = Detect V _{PP} block
Standby		Check SR4 and SR5 1 = BLOCK ERASE command error
Standby		Check SR5 ³ 1 = BLOCK ERASE error

- NOTE:**
1. Full status register check can be done after each block or after a sequence of blocks.
 2. SR3 must be cleared before attempting additional PROGRAM/ERASE operations.
 3. SR5 is cleared only by the CLEAR STATUS REGISTER command in cases where multiple blocks are erased before full status is checked.



Figure 7
ERASE SUSPEND/ERASE RESUME
Flowchart



BUS OPERATION	COMMAND	COMMENTS
WRITE	ERASE SUSPEND	Data = B0h
READ		Status register data; toggle OE# or CE# to update status register.
Standby		Check SR7 1 = Ready
Standby		Check SR6 1 = Suspended
WRITE	READ MEMORY	Data = FFh
READ		Read data from block other than that being erased.
WRITE	ERASE RESUME	Data = D0h

NOTE: 1. See BLOCK ERASE Flowchart for complete erasure procedure.
2. See Word Programming Flowchart for complete programming procedure.


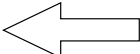


READ-WHILE-WRITE/ERASE CONCURRENCY

It is possible for the device to read from one bank while erasing/writing to another bank. Once a bank enters the WRITE/ERASE operation, the other bank automatically enters read array mode. For example, during a READ CONCURRENCY operation, if a PROGRAM/ERASE command is issued in bank *a*, then bank *a* changes to the read status mode and bank *b* defaults to the read array mode. The device reads from bank *b* if the latched address resides in bank *b* (see Figure 8). Similarly, if a PROGRAM/ERASE command is issued in bank *b*, then bank *b* changes to read status mode and bank *a* defaults to read array mode. When returning to bank *a*, the device reads program/erase status if the latched address resides in bank *a*. A correct bank address must be specified to read status register after returning from concurrent read in the other bank.

When reading the CFI or the chip protection register, concurrent operation is not allowed on the top boot device. Concurrent READ of the CFI or the chip protection register is only allowed when a PROGRAM or ERASE operation is performed on bank *b* on the bottom boot device. For a bottom boot device, reading of the CFI table or the chip protection register is only allowed if bank *b* is in read array mode. For a top boot device, reading of the CFI table or the chip protection register is only allowed if bank *a* is in read array mode.

Figure 8
READ-While-WRITE Concurrency

Bank a	Bank b
1 - Erasing/writing to bank a 2 - Erasing in bank a can be suspended, and a WRITE to another block in bank a can be initiated. 3 - After the WRITE in that block is complete, an ERASE can be resumed by writing an ERASE RESUME command.	 1 - Reading from bank b
1 - Reading bank a 	1 - Erasing/writing to bank b 2 - Erasing in bank b can be suspended, and a WRITE to another block in bank b can be initiated. 3 - After the WRITE in that block is complete, an ERASE can be resumed by writing an ERASE RESUME command.

BLOCK LOCKING

The Flash memory of the MT28C3224P20 and MT28C3224P18 devices provide a flexible locking scheme which allows each block to be individually locked or unlocked with no latency.

The devices offer two-level protection for the blocks. The first level allows software-only control of block locking (for data which needs to be changed frequently), while the second level requires hardware interaction before locking can be changed (code which does not require frequent updates).

Control signals F_WP#, DQ0, and DQ1 define the state of a block; for example, state [001] means F_WP# = 0, DQ0 = 0 and DQ1 = 1.

Table 8 defines all of the possible locking states.

NOTE: All blocks are software-locked upon completion of the power-up sequence.

LOCKED STATE

After a power-up sequence completion, or after a reset sequence, all blocks are locked (states [001] or [101]). This means full protection from alteration. Any PROGRAM or ERASE operations attempted on a locked block will return an error on bit SR1 of the status register. The status of a locked block can be changed to unlocked or lock down using the appropriate software commands. Writing the lock command sequence, 60h followed by 01h, can lock an unlocked block.

UNLOCKED STATE

Unlocked blocks (states [000], [100], [110]) can be programmed or erased. All unlocked blocks return to the locked state when the device is reset or powered down. An unlocked block can be locked or locked down using the appropriate software command sequence, 60h followed by D0h. (See Table 4.)

LOCKED DOWN STATE

Blocks locked down (state [011]) are protected from PROGRAM and ERASE operations, but their protection status cannot be changed using software commands alone. A locked or unlocked block can be locked down by writing the lock down command sequence, 60h followed by 2Fh. Locked down blocks revert to the locked state when the device is reset or powered down.



Table 8
Block Locking State Transition

F_WP#	DQ1	DQ0	NAME	ERASE/PROGRAM ALLOWED	LOCK	UNLOCK	LOCK DOWN
0	0	0	Unlocked	Yes	To [001]	–	To [011]
0	0	1	Locked (Default)	No	–	To [000]	To [011]
0	1	1	Lock Down	No	–	–	–
1	0	0	Unlocked	Yes	To [101]	–	To [111]
1	0	1	Locked	No	–	To [100]	To [111]
1	1	0	Lock Down Disabled	Yes	To [111]	–	To [111]
1	1	1	Lock Down Disabled	No	–	To [110]	–

The LOCK DOWN function is dependent on the F_WP# input. When F_WP# = 0, blocks in lock down [011] are protected from program, erase, and lock status changes. When F_WP# = 1, the LOCK DOWN function is disabled ([111]) and locked down blocks can be individually unlocked by a software command to the [110] state, where they can be erased and programmed. These blocks can then be relocked [111] and unlocked [110], as desired, as long as F_WP# remains HIGH. When F_WP# goes LOW, blocks that were previously locked down return to the lock down state [011] regardless of any changes made while F_WP# was HIGH. Device reset or power-down resets all locks, including those in lock down, to the locked state (see Table 9).

READING A BLOCK'S LOCK STATUS

The lock status of every block can be read in the read device identification mode. To enter this mode, write 90h to the bank containing address 00h. Subsequent READs at block address +00002 will output the lock status of that block. The lowest two outputs, DQ0 and DQ1, represent the lock status. DQ0 indicates the block lock/unlock status and is set by the LOCK command and cleared by the UNLOCK command. It is also automatically set when entering lock down. DQ1 indicates lock down status and is set by the LOCK DOWN command. It can only be cleared by reset or power-down, not by software. Table 8 shows the block locking state transition scheme. After data is read from the

Table 9
Chip Configuration Addressing¹

ITEM	ADDRESS ²	DATA
Manufacturer Code (x16)	00000h	002Ch
Device Code	00001h	44B4h 44B5h
Block Lock Configuration	XX002h	Lock DQ0 = 0 DQ0 = 1 DQ1 = 1
Chip Protection Register Lock	80h	PR Lock
Chip Protection Register 1	81h–84h	Factory Data
Chip Protection Register 2	85h–88h	User Data

- NOTE:**
1. Other locations within the configuration address space are reserved by Micron for future use.
 2. "XX" specifies the block address of lock configuration.



protection configuration register, the READ ARRAY command, FFh, must be issued to the bank containing address 00h prior to issuing other commands.

LOCKING OPERATIONS DURING ERASE SUSPEND

Changes to block lock status can be performed during an ERASE SUSPEND by using the standard locking command sequences to unlock, lock, or lock down. This is useful in the case when another block needs to be updated while an ERASE operation is in progress.

To change block locking during an ERASE operation, first write the ERASE SUSPEND command (B0h), then check the status register until it indicates that the ERASE operation has been suspended. Next, write the desired lock command sequence to block lock, and the lock status will be changed. After completing any desired LOCK, READ, or PROGRAM operations, resume the ERASE operation with the ERASE RESUME command (D0h).

If a block is locked or locked down during an ERASE SUSPEND on the same block, the locking status bits are changed immediately. When the ERASE is resumed, the ERASE operation completes.

A locking operation cannot be performed during a PROGRAM SUSPEND.

STATUS REGISTER ERROR CHECKING

Using nested locking or program command sequences during ERASE SUSPEND can introduce ambiguity into status register results.

Following protection configuration setup (60h), an invalid command produces a lock command error (SR4 and SR5 are set to "1") in the status register. If a lock command error occurs during an ERASE SUSPEND, SR4 and SR5 are set to "1" and remain at "1" after the ERASE SUSPEND command is issued. When the ERASE is complete, any possible error during the ERASE cannot be detected via the status register because of the previous locking command error.

A similar situation happens if an error occurs during a program operation error nested within an ERASE SUSPEND.

CHIP PROTECTION REGISTER

A 128-bit chip protection register can be used to fulfill the security considerations in the system (preventing device substitution).

The 128-bit security area is divided into two 64-bit segments. The first 64 bits are programmed at the manufacturing site with a unique 64-bit number. The other segment is left blank for customers to program as desired. (See Figure 9).

READING THE CHIP PROTECTION REGISTER

The chip protection register is read in the device identification mode, loading the 90h command. Once in this mode, READ cycles from addresses shown in Table 9 retrieve the specified information. To return to the read array mode, write the READ ARRAY command (FFh).

PAGE READ MODE

The initial portion of the page mode cycle is the same as the asynchronous access cycle. Holding CE# LOW and toggling addresses A0–A1 allows random access of other words in the page.

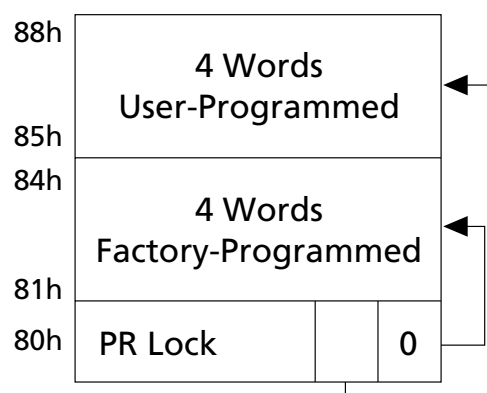
The page size can be customized at the factory to four or eight words as required; but if no specification is made, the normal size is four words.

ASYNCHRONOUS READ CYCLE

When accessing addresses in a random order or when switching between pages, the access time is given by t_{AA} .

When F_CE# and F_OE# are LOW, the data is placed on the data bus and the processor can read the data.

**Figure 9
Protection Register Memory Map**





STANDBY MODE

Icc supply current is reduced by applying a logic HIGH level on F_CE# and F_RP# to enter the standby mode. In the standby mode, the outputs are placed in High-Z. Applying a CMOS logic HIGH level on F_CE# and F_RP# reduces the current to Icc3 (MAX). If the device is deselected during an ERASE operation or during programming, the device continues to draw current until the operation is complete.

AUTOMATIC POWER SAVE (APS) MODE

Substantial power savings are realized during periods when the Flash array is not being read and the device is in the active mode. During this time the device switches to the automatic power save (APS) mode. When the device switches to this mode, Icc is reduced to a level comparable to Icc3. Further power savings can be realized by applying a logic HIGH level on CE# to place the device in standby mode. The low level of power is maintained until another operation is initiated. In this mode, the I/Os retain the data from the last memory address read until a new address is read. This mode is entered automatically if no addresses or control signals toggle.

VPP/VCC PROGRAM AND ERASE VOLTAGES

The Flash memory devices provide in-system programming and erase with VPP in the 0.9V–2.2V range. In addition to the flexible block locking, the VPP programming voltage can be held LOW for absolute hardware write protection of all blocks in the Flash device. When VPP is below VPPLK, any PROGRAM or ERASE operation results in an error, prompting the corresponding status register bit (SR3) to be set.

A factory option provides in-system programming and erase with VPP in the 0.0V–2.2V range.

VPP at 12V ±5% (VPP2) is supported for a maximum of 100 cycles and 10 cumulative hours. The device can withstand 100,000 WRITE/ERASE operations when VPP = VCC.

During WRITE and ERASE operations, the WSM monitors the VPP voltage level. WRITE/ERASE operations are allowed only when VPP is within the ranges specified in Table 10.

When VCC is below VLKO or VPP is below VPPLK, any WRITE/ERASE operation is prevented.

DEVICE RESET

To correctly reset the device, the RST# signal must be asserted (RST# = VIL) for a minimum of tRP. After reset, the device can be accessed for a READ operation with a delayed access time of tRWH from the rising edge of RST#. The circuitry used for generating the RST# signal needs to be common with the rest of the system reset to ensure that correct system initialization occurs. Please refer to the timing diagram for further details.

POWER-UP SEQUENCE

The following power-up sequence is recommended to properly initialize internal chip operations:

- At power-up, RST# should be kept at VIL for 2μs after VCC reaches VCC (MIN).
- VCCQ should not come up before VCC.
- VPP should be kept at VIL to maximize data integrity.

When the power-up sequence is completed, RST# should be brought to VIH. To ensure proper power-up, the rise time of RST# (10%–90%) should be < 10μs.

Table 10
Vpp Ranges (V)

DEVICE	MIN	MAX
In-System	0.9	2.2
In-Factory	11.4	12.6



FLASH ELECTRICAL SPECIFICATIONS

ABSOLUTE MAXIMUM RATINGS*

Voltage to Any Ball Except V_{CC} and V_{PP}
 with Respect to V_{SS} -0.5V to +2.45V
 V_{PP} Voltage (for BLOCK ERASE and PROGRAM
 with Respect to V_{SS}) -0.5V to +13.5V**
 V_{CC} and V_{CCQ} Supply Voltage
 with Respect to V_{SS} -0.3V to +2.45V
 Output Short Circuit Current 100mA
 Operating Temperature Range -40°C to +85°C
 Storage Temperature Range -55°C to +125°C
 Soldering Cycle 260°C for 10s

*Stresses greater than those listed under “Absolute Maximum Ratings” may cause permanent damage to the device. This is a stress rating only and functional operation of the device at these or any other conditions above those indicated in the operational sections of this specification is not implied. Exposure to absolute maximum rating conditions for extended periods may affect reliability.

**Maximum DC voltage on V_{PP} may overshoot to +13.5V for periods <20ns.

RECOMMENDED OPERATING CONDITIONS

PARAMETER	SYMBOL	MIN	MAX	UNITS	NOTES
Operating temperature	t_A	-40	+85	°C	
V _{CC} supply voltage (MT28C3224P18)	F_V _{CC} , S_V _{CC}	1.70	1.90	V	
V _{CC} supply voltage (MT28C3224P20)	F_V _{CC} , S_V _{CC}	1.80	2.20	V	
I/O supply voltage (MT28C3224P18)	V _{CCQ}	1.70	1.90	V	
I/O supply voltage (MT28C3224P20)	V _{CCQ}	1.80	2.20	V	
V _{PP} voltage (when used as logic control)	V _{PP1}	0.9	2.2	V	
V _{PP} in-factory programming voltage	V _{PP2}	11.4	12.6	V	
Data retention supply voltage	S_V _{DR}	1.0	-	V	
Block erase cycling (V _{PP1})	V _{PP} = V _{PP1}	V _{PP1}	-	100,000	Cycles
	V _{PP} = V _{PP2}	V _{PP2}	-	100	Cycles

NOTE: 1. V_{PP} = V_{PP2} is a maximum of 10 cumulative hours.

Figure 10
AC Input/Output Reference Waveform

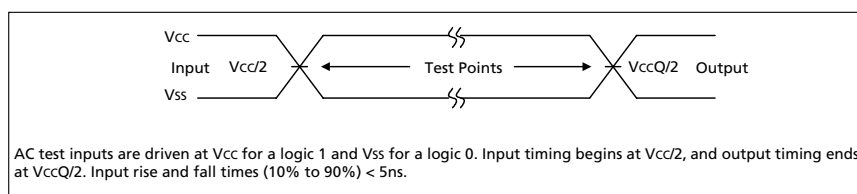
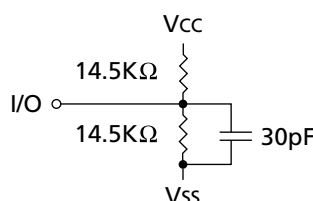


Figure 11
Output Load Circuit




COMBINED DC CHARACTERISTICS¹

DESCRIPTION	CONDITIONS	SYMBOL	V _{CC} /V _{CCQ} = 1.70V–1.90V or 1.80V–2.20V			UNITS	NOTES
			MIN	TYP	MAX		
Input Low Voltage		V _{IL}	0	–	0.4	V	2
Input High Voltage		V _{IH}	V _{CCQ} - 0.4	–	V _{CCQ}	V	2
Output Low Voltage I _{OL} = 100μA (Flash)		V _{OL}	–	–	0.10	V	
Output Low Voltage I _{OL} = 100μA (SRAM)		V _{OL}	–	–	0.3	V	
Output High Voltage I _{OH} = -100μA (Flash)		V _{OH}	V _{CCQ} - 0.1	–	–	V	
Output High Voltage I _{OH} = -100μA (SRAM)		V _{OH}	V _{CCQ} - 0.3	–	–	V	
V _{PP} Lockout Voltage		V _{PPLK}	–	–	0.4	V	
V _{PP} During PROGRAM/ERASE Operations		V _{PP1}	0.9	–	2.2	V	
		V _{PP2}	11.4	–	12.6	V	3
V _{CC} Program/Erase Lock Voltage		V _{LKO}	1	–	–	V	
Input Leakage Current		I _L	–	–	1	μA	
Output Leakage Current		I _{OZ}	–	–	1	μA	
V _{CC} Read Current Asynchronous Random Read 100ns cycle		I _{CC1}	–	–	15	mA	4, 5
Asynchronous Page Read 100ns/35ns cycle		I _{CC2}	–	–	5	mA	4, 5
F_V _{CC} plus S_V _{CC} Standby Current		I _{CC3}	–	25	60	μA	
F_V _{CC} Program Current		I _{CC4}	–	–	55	mA	
F_V _{CC} Erase Current		I _{CC5}	–	18	45	mA	
F_V _{CC} plus S_V _{CC} Erase Suspend Current		I _{CC6}	–	6	60	μA	6
F_V _{CC} plus S_V _{CC} Program Suspend Current		I _{CC7}	–	6	60	μA	6
Read-While-Write Current		I _{CC8}	–	–	80	mA	

- NOTE:**
- All currents are in RMS unless otherwise noted.
 - V_{IL} may decrease to -0.4V and V_{IH} may increase to V_{CCQ} + 0.3V for durations not to exceed 20ns.
 - 12V V_{PP} is supported for a maximum of 100 cycles and may be connected for up to 10 cumulative hours.
 - APS mode reduces I_{CC} to approximately I_{CC3} levels.
 - Test conditions: V_{CC} = V_{CC} (MAX), CE# = V_{IL}, OE# = V_{IH}. All other inputs = V_{IH} or V_{IL}.
 - I_{CC6} and I_{CC7} values are valid when the device is deselected. Any READ operation performed while in suspend mode will add a current draw of I_{CC1} or I_{CC2}.
 - Operating current is a linear function of operating frequency and voltage. Operating current can be calculated using the formula shown with operating frequency (f) expressed in MHz and operating voltage (V) in volts.
Example: When operating at 2 MHz at 2V, the device will draw a typical active current of 0.8*2*2 = 3.2mA in the page access mode. This parameter is specified with the outputs disabled to avoid external loading effects. The user must add current required to drive output capacitance expected in the actual system.

(continued on next page)


COMBINED DC CHARACTERISTICS (continued)¹

DESCRIPTION	CONDITIONS	SYMBOL	V _{CC} /V _{CCQ} = 1.70V–1.90V or 1.80V–2.20V			UNITS	NOTES
			MIN	TYP	MAX		
S_Vcc Read/Write Operating Supply Current – Page Access Mode	V _{IN} = V _{IH} or V _{IL} chip enabled, I _{OL} = 0	I _{CC9}	–	12	25	mA	7
V _{PP} Current (Read, Standby, Erase Suspend, Program Suspend)	V _{PP} ≤ V _{CC} V _{PP} ≥ V _{CC}	I _{PP1}	–	–	1 200	μA μA	

- NOTE:**
- All currents are in RMS unless otherwise noted.
 - V_{IL} may decrease to -0.4V and V_{IH} may increase to V_{CCQ} + 0.3V for durations not to exceed 20ns.
 - 12V V_{PP} is supported for a maximum of 100 cycles and may be connected for up to 10 cumulative hours.
 - APS mode reduces I_{CC} to approximately I_{CC3} levels.
 - Test conditions: V_{CC} = V_{CC} (MAX), CE# = V_{IL}, OE# = V_{IH}. All other inputs = V_{IH} or V_{IL}.
 - I_{CC6} and I_{CC7} values are valid when the device is deselected. Any READ operation performed while in suspend mode will add a current draw of I_{CC1} or I_{CC2}.
 - Operating current is a linear function of operating frequency and voltage. Operating current can be calculated using the formula shown with operating frequency (f) expressed in MHz and operating voltage (V) in volts.
Example: When operating at 2 MHz at 2V, the device will draw a typical active current of 0.8*2*2 = 3.2mA in the page access mode. This parameter is specified with the outputs disabled to avoid external loading effects. The user must add current required to drive output capacitance expected in the actual system.



2 MEG x 16 PAGE FLASH 256K x 16 SRAM COMBO MEMORY

CAPACITANCE

($T_A = +25^\circ\text{C}$; $f = 1 \text{ MHz}$)

PARAMETER/CONDITION	SYMBOL	TYP	MAX	UNITS
Input Capacitance	C	7	12	pF
Output Capacitance	C _{OUT}	13	15	pF

FLASH READ CYCLE TIMING REQUIREMENTS

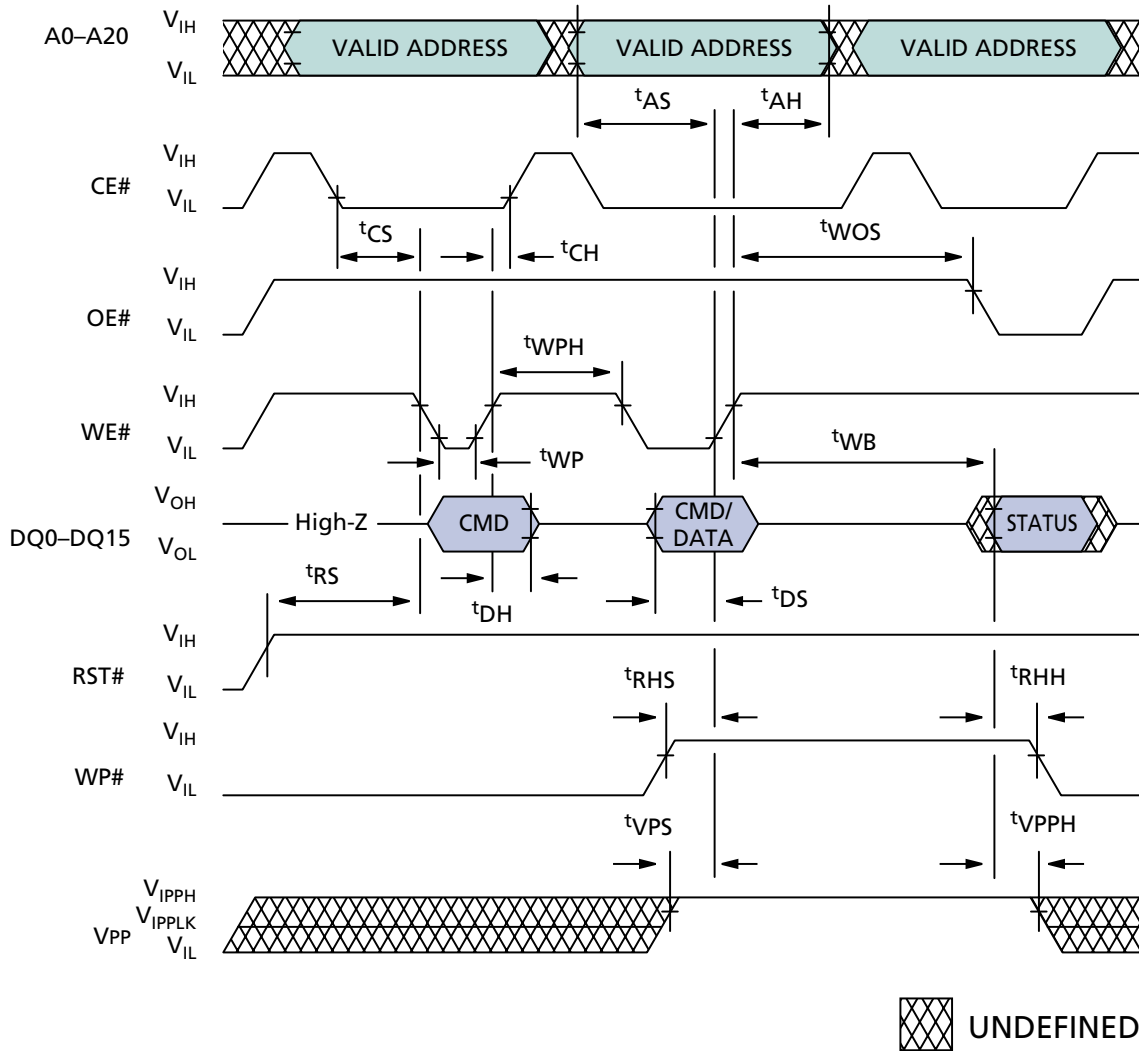
PARAMETER	SYMBOL	-80		-85		UNITS
		V _{CC} = 1.80V–2.20V		V _{CC} = 1.70V–1.90V		
		MIN	MAX	MIN	MAX	
Address to output delay	t _{AA}		80		85	ns
CE# LOW to output delay	t _{ACE}		80		85	ns
Page address access	t _{APA}		30		35	ns
OE# LOW to output delay	t _{AOE}		25		30	ns
F _{RP#} HIGH to output delay	t _{RWH}		200		250	ns
CE# or OE# HIGH to output High-Z	t _{OD}		25		25	ns
Output hold from address, CE# or OE# change	t _{OH}	0		0		ns
READ cycle time	t _{RC}		80		85	ns


FLASH WRITE CYCLE TIMING REQUIREMENTS

PARAMETER	SYMBOL	-80/-85		UNITS
		MIN	MAX	
Reset HIGH recovery to WE# going LOW	t _{RS}	150		ns
CE# setup to WE# going LOW	t _{CS}	0		ns
Write pulse width	t _{WP}	50		ns
Data setup to WE# going HIGH	t _{DS}	50		ns
Address setup to WE# going HIGH	t _{AS}	50		ns
CE# hold from WE# HIGH	t _{CH}	0		ns
Data hold from WE# HIGH	t _{DH}	0		ns
Address hold from WE# HIGH	t _{AH}	1.5		ns
Write pulse width HIGH	t _{WPH}	30		ns
WP# setup to WE# going HIGH	t _{RHS}	0		ns
V _{PP} setup to WE# going HIGH	t _{VPS}	200		ns
Write recovery before READ	t _{WOS}	50		ns
Write recovery before READ in opposite bank	t _{WOA}	0		ns
WP# hold from valid SRD	t _{RHH}	0		ns
V _{PP} hold from valid SRD	t _{VPPH}	0		ns
WE# HIGH to data valid	t _{WB}		t _{AA} + 50	ns

FLASH ERASE AND PROGRAM CYCLE TIMING REQUIREMENTS

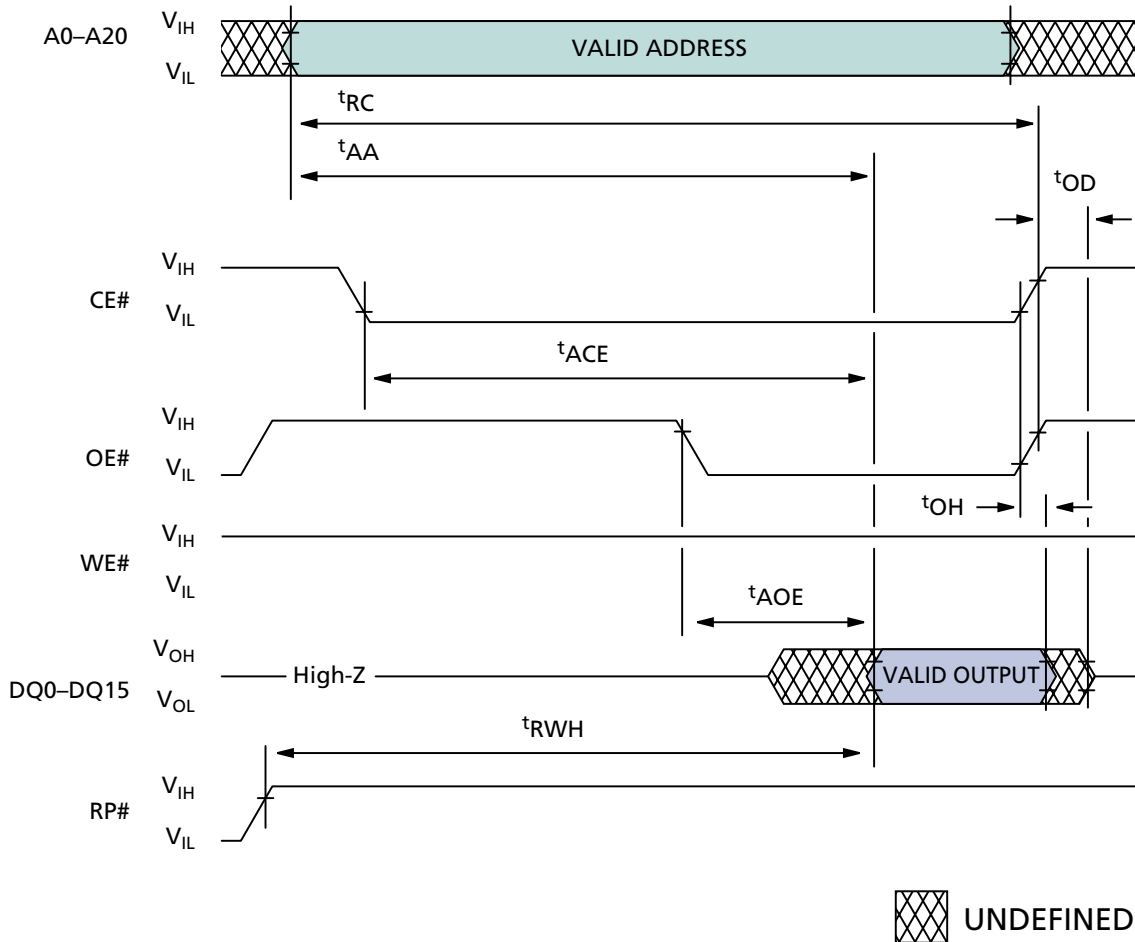
PARAMETER	-80/-85		UNITS
	TYP	MAX	
4KW parameter block program time	40	800	ms
32KW parameter block program time	320	6,400	ms
Word program time	8	10,000	μs
4KW parameter block erase time	0.3	6	s
32KW parameter block erase time	0.5	6	s
Program suspend latency	5	10	μs
Erase suspend latency	5	20	μs

TWO-CYCLE PROGRAMMING/ERASE OPERATION

WRITE TIMING PARAMETERS

SYMBOL	-80/-85		UNITS
	MIN	MAX	
t _{RS}	150		ns
t _{CS}	0		ns
t _{WP}	50		ns
t _{DS}	50		ns
t _{AS}	50		ns
t _{CH}	0		ns
t _{DH}	0		ns

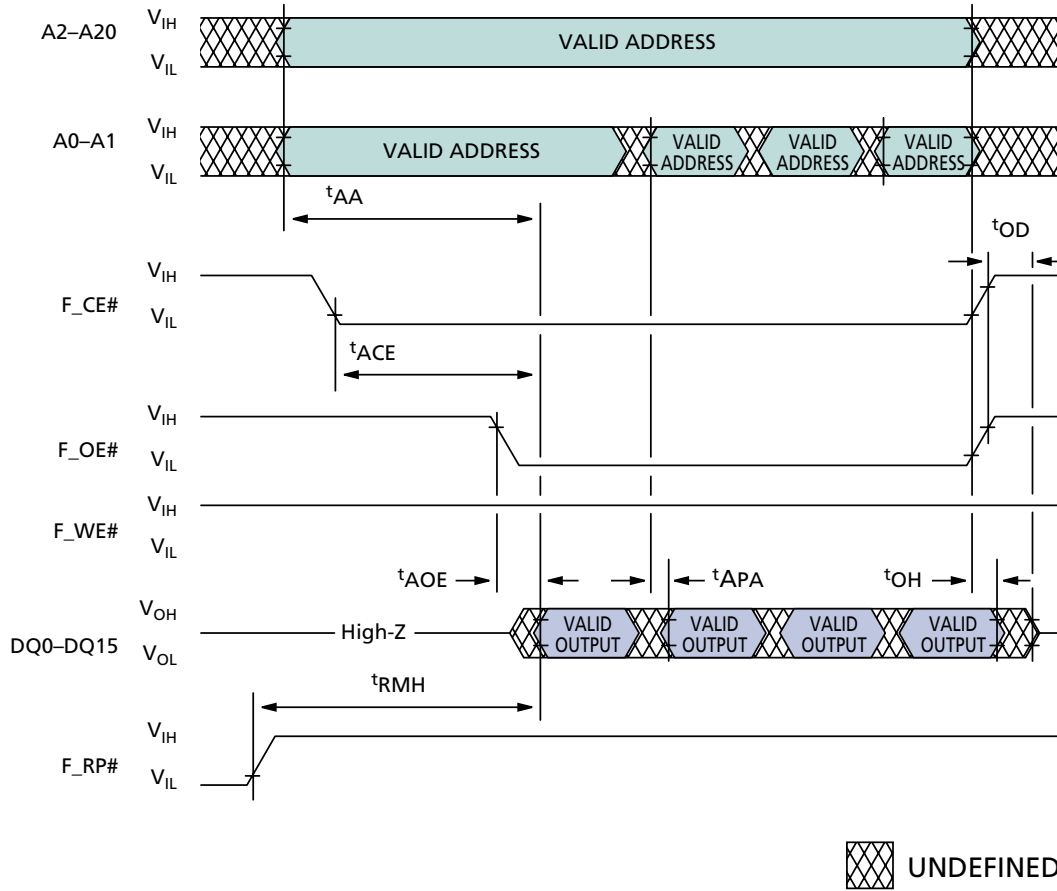
SYMBOL	-80/-85		UNITS
	MIN	MAX	
t _{AH}	1.5		ns
t _{RHS}	0		ns
t _{VPS}	200		ns
t _{WOS}	50		ns
t _{RHH}	0		ns
t _{VPPH}	0		ns
t _{WB}		t _{AA} +50	ns

NOTE: 1. The WRITE cycles for the WORD PROGRAMMING command are followed by a READ ARRAY DATA cycle.

SINGLE ASYNCHRONOUS READ OPERATION

READ TIMING PARAMETERS

SYMBOL	-80		-85		UNITS
	V _{CC} = 1.80V-2.20V		V _{CC} = 1.70V-1.90V		
	MIN	MAX	MIN	MAX	
t _{AA}		80		85	ns
t _{ACE}		80		85	ns
t _{AOE}		25		30	ns
t _{RWH}		200		250	ns

SYMBOL	-80		-85		UNITS
	V _{CC} = 1.80V-2.20V		V _{CC} = 1.70V-1.90V		
	MIN	MAX	MIN	MAX	
t _{OD}		25		25	ns
t _{OH}	0		0		ns
t _{RC}		80		85	ns

ASYNCHRONOUS PAGE MODE READ OPERATION

READ TIMING PARAMETERS

SYMBOL	-80		-85		UNITS
	V _{CC} = 1.80V-2.20V		V _{CC} = 1.70V-1.90V		
	MIN	MAX	MIN	MAX	
t _{AA}		80		85	ns
t _{ACE}		80		85	ns
t _{APA}		30		35	ns
t _{AOE}		25		30	ns

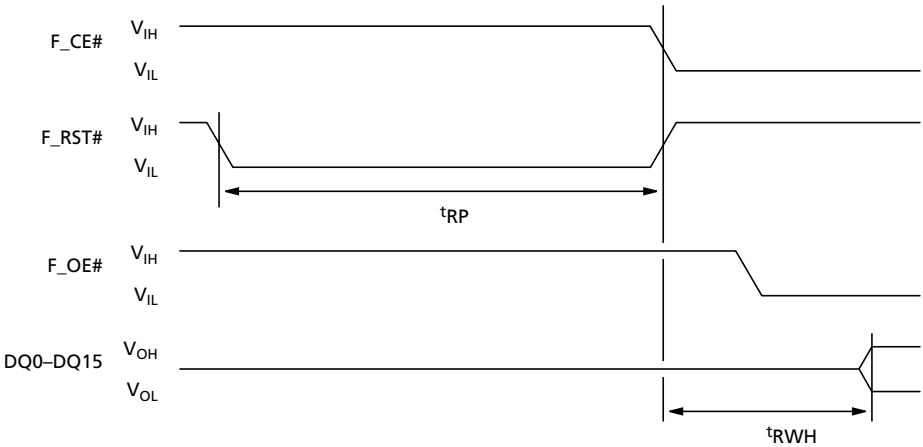
SYMBOL	-80		-85		UNITS
	V _{CC} = 1.80V-2.20V		V _{CC} = 1.70V-1.90V		
	MIN	MAX	MIN	MAX	
t _{RWH}		200		250	ns
t _{OD}		25		25	ns
t _{OH}	0		0		ns



**2 MEG x 16 PAGE FLASH
256K x 16 SRAM COMBO MEMORY**

FLASH

RESET OPERATION



READ TIMING PARAMETERS

SYMBOL	-80		-85		UNITS
	VCC = 1.80V-2.20V		VCC = 1.70V-1.90V		
	MIN	MAX	MIN	MAX	
tRWH		200		250	ns
tRP	100		100		ns


**Table 11
CFI**

OFFSET	DATA	DESCRIPTION
00	2Ch	Manufacturer Code
01	B4h	Top boot block device code
	B5h	Bottom boot block device code
02–0F	reserved	Reserved
10, 11	0051,0052	"QR"
12	0059	"Y"
13, 14	0003, 0000	Primary OEM command set
15, 16	0039, 0000	Address for primary extended table
17, 18	0000, 0000	Alternate OEM command set
19, 1A	0000, 0000	Address for OEM extended table
1B	0017	V _{CC} MIN for Erase/Write; Bit7–Bit4 Volts in BCD; Bit3–Bit0 100mV in BCD
1C	0022	V _{CC} MAX for Erase/Write; Bit7–Bit4 Volts in BCD; Bit3–Bit0 100mV in BCD
1D	00B4	V _{PP} MIN for Erase/Write; Bit7–Bit4 Volts in Hex; Bit3–Bit0 100mV in BCD
1E	00C6	V _{PP} MAX for Erase/Write; Bit7–Bit4 Volts in Hex; Bit3–Bit0 100mV in BCD
1F	0003	Typical timeout for single byte/word program, 2 ⁿ μs, 0000 = not supported
20	0000	Typical timeout for maximum size multiple byte/word program, 2 ⁿ μs, 0000 = not supported
21	0009	Typical timeout for individual block erase, 2 ⁿ ms, 0000 = not supported
22	0000	Typical timeout for full chip erase, 2 ⁿ ms, 0000 = not supported
23	000C	Maximum timeout for single byte/word program, 2 ⁿ μs, 0000 = not supported
24	0000	Maximum timeout for maximum size multiple byte/word program, 2 ⁿ μs, 0000 = not supported
25	0003	Maximum timeout for individual block erase, 2 ⁿ ms, 0000 = not supported
26	0000	Maximum timeout for full chip erase, 2 ⁿ ms, 0000 = not supported
27	0016	Device size, 2 ⁿ bytes
28	0001	Bus interface x8 = 0, x16 = 1, x8/x16 = 2
29	0000	Flash device interface description 0000 = async
2A, 2B	0000, 0000	Maximum number of bytes in multi-byte program or page, 2 ⁿ
2C	0003	Number of erase block regions within device (4K words and 32K words)
2D, 2E	002F, 0000	Top boot block device erase block region information 1, 8 blocks ...
	0007, 0000	Bottom boot block device erase block region information 1, 8 blocks ...
2F, 30	0000, 0001	Erase block region information 1, 8 blocks ...
	0020, 0000	...of 8KB
31, 32	000E, 0000	7 blocks of
33, 34	0000, 000164KB
35, 36	0007, 0000	Top boot block device48 blocks of
	002F, 0000	Bottom boot block device48 blocks of

(continued on the next page)


**Table 11
CFI (continued)**

OFFSET	DATA	DESCRIPTION
37, 38	0020, 0000	Top boot block device.....64KB
	0000, 0001	Bottom boot block device.....64KB
39, 3A	0050, 0052	"PR"
3B	0049	"I"
3C	0030	Major version number, ASCII
3D	0031	Minor version number, ASCII
3E	00E6	Optional Feature and Command Support
3F	0002	Bit 0 Chip erase supported no = 0
40	0000	Bit 1 Suspend erase supported = yes = 1
41	0000	Bit 2 Suspend program supported = yes = 1
		Bit 3 Chip lock/unlock supported = no = 0
		Bit 4 Queued erase supported = no = 0
		Bit 5 Instant individual block locking supported = yes = 1
		Bit 6 Protection bits supported = yes = 1
		Bit 7 Page mode read supported = yes = 1
		Bit 8 Synchronous read supported = yes = 1
		Bit 9 Simultaneous operation supported = yes = 1
42	0001	Program supported after erase suspend = yes
43, 44	0003,0000	Bit 0 block lock status active = yes; Bit 1 block lock down active = yes
45	0018	Vcc supply optimum; Bit7–Bit4 Volts in BCD; Bit3–Bit0 100mV in BCD
46	00C0	Vpp supply optimum; Bit7–Bit4 Volts in Hex; Bit3–Bit0 100mV in BCD
47	0001	Number of protection register fields in JEDEC ID space
48, 49	0080, 0000	Lock bytes LOW address, lock bytes HIGH address
4A, 4B	0003, 0003	2 ⁿ factory programmed bytes, 2 ⁿ user programmable bytes
4C	0003	Background Operation 0000 = Not used 0001 = 4% block split 0002 = 12% block split 0003 = 25% block split 0004 = 50% block split
4D	0000	Burst Mode Type 0000 = No burst mode 00x1 = 4 words max 00x2 = 8 words max 00x3 = 16 words max 001x = Linear burst, and/or 002x = Interleaved burst, and/or 004x = Continuous burst
4E	0002	Page Mode Type 0000 = No page mode 0001 = 4-word page 0002 = 8-word page 0003 = 16-word page 0004 = 32-word page
4F	0004	SRAM density, 4Mb (256K x 16)



SRAM OPERATING MODES

SRAM READ ARRAY

The operational state of the SRAM is determined by S_CE1#, S_CE2, S_WE#, S_OE#, S_UB#, and S_LB#, as indicated in the Truth Table. To perform an SRAM READ operation, S_CE1#, and S_OE#, must be at V_{IL}, and S_CE2 and S_WE# must be at V_{IH}. When in this state, S_UB# and S_LB# control whether the lower byte is read (S_UB# V_{IH}, S_LB# V_{IL}), the upper byte is read (S_UB# V_{IL}, S_LB# V_{IH}), both upper and lower bytes are read (S_UB# V_{IL}, S_LB# V_{IL}), or neither are read (S_UB# V_{IH}, S_LB# V_{IH}) and the device is in a standby state.

While performing an SRAM READ operation, current consumption may be reduced by reading within a 16-word page. This is done by holding S_CE1# and

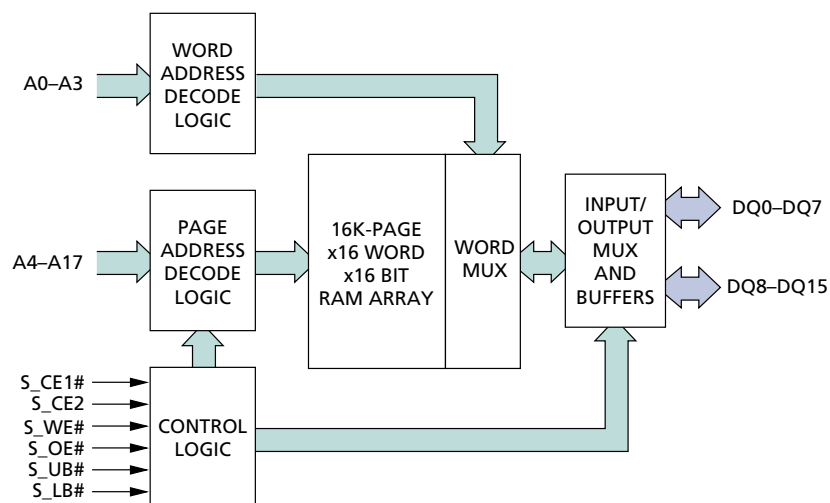
S_OE# at V_{IL}, S_WE# and S_CE2 at V_{IH}, and toggling addresses A0–A3. S_UB# and S_LB# control the data width as described above.

SRAM WRITE ARRAY

In order to perform an SRAM WRITE operation, S_CE1# and S_WE# must be at V_{IL}, and S_CE2 and S_OE# must be at V_{IH}. When in this state, S_UB# and S_LB# control whether the lower byte is written (S_UB# V_{IH}, S_LB# V_{IL}), the upper byte is written (S_UB# V_{IL}, S_LB# V_{IH}), both upper and lower bytes are written (S_UB# V_{IL}, S_LB# V_{IL}), or neither are written (S_UB# V_{IH}, S_LB# V_{IH}) and the device is in a standby state.

SRAM

SRAM FUNCTIONAL BLOCK DIAGRAM





TIMING TEST CONDITIONS

Input pulse levels	0.1V V _{CC} to 0.9V V _{CC}
Input rise and fall times	5ns
Input timing reference levels	0.5V
Output timing reference levels	0.5V
Operating Temperature	-40°C to +85°C

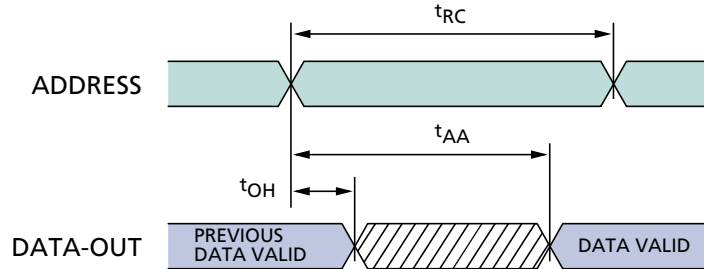
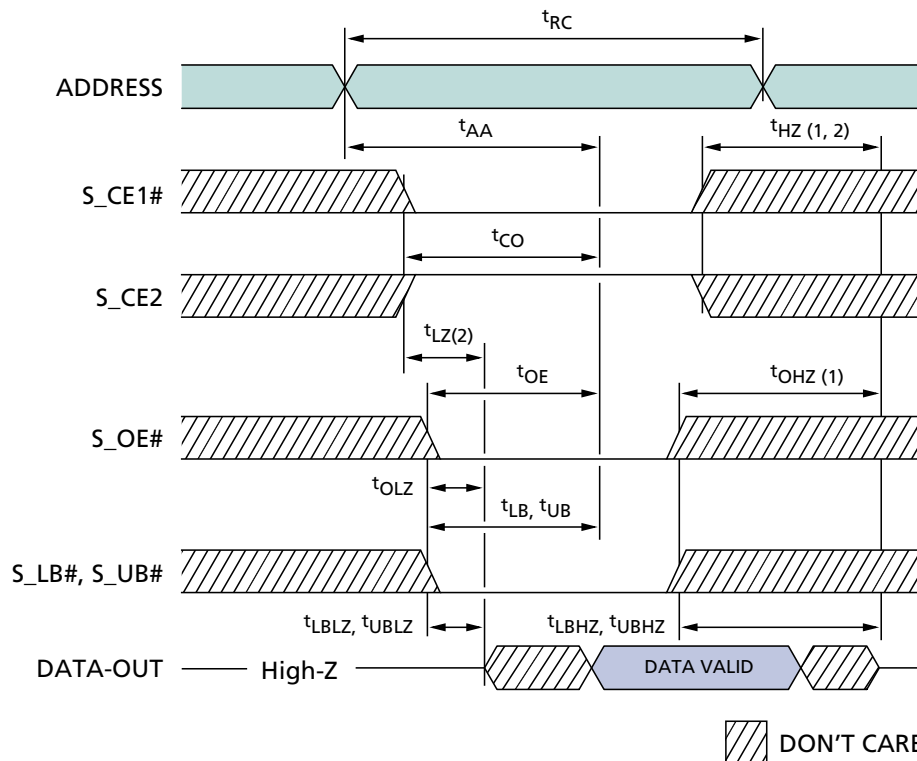
NOTE: For input/output contacts, refer to the Capacitance Table.

SRAM READ CYCLE TIMING

DESCRIPTION	SYMBOL	-80/-85				UNITS
		V _{CC} = 1.70V–1.90V		V _{CC} = 1.80V–2.20V		
		MIN	MAX	MIN	MAX	
Read cycle time	t _{RC}		100		85	ns
Address access time	t _{AA}		100		85	ns
Chip enable to valid output	t _{CO}		100		85	ns
Output enable to valid output	t _{OE}		35		35	ns
Byte select to valid output	t _{LB} , t _{UB}		100		85	ns
Chip enable to Low-Z output	t _{LZ}	0		0		ns
Output enable to Low-Z output	t _{OLZ}	0		0		ns
Byte select to Low-Z output	t _{LBZ} , t _{UBZ}	0		0		ns
Chip enable to High-Z output	t _{HZ}	0	15	0	15	ns
Output disable to High-Z output	t _{OHZ}	0	15	0	15	ns
Byte select disable to High-Z output	t _{LBHZ} , t _{UBHZ}	0	15	0	15	ns
Output hold from address change	t _{OH}	5		5		ns

SRAM WRITE CYCLE TIMING

DESCRIPTION	SYMBOL	-80/-85		UNITS
		MIN	MAX	
Write cycle time	t _{WC}		85	ns
Chip enable to end of write	t _{CW}		50	ns
Address valid to end of write	t _{AW}		50	ns
Byte select to end of write	t _{LBW} , t _{UBW}		50	ns
Address setup time	t _{AS}	0		ns
Write pulse width	t _{WP}	50		ns
Write recovery time	t _{WR}	0		ns
Write to High-Z output	t _{WHZ}	0	15	ns
Data to write time overlap	t _{DW}	50		ns
Data hold from write time	t _{DH}	0		ns
End write to Low-Z output	t _{OW}	0		ns

READ CYCLE 1
 $(S_CE1\# = S_OE\# = V_{IL}; S_CE2, S_WE\# = V_{IH})$

READ CYCLE 2
 $(S_WE\# = V_{IH})$

READ TIMING PARAMETERS

SYMBOL	-80/-85				UNITS
	V _{CC} = 1.70V-1.90V		V _{CC} = 1.80V-2.20V		
	MIN	MAX	MIN	MAX	
t _{RC}		100		85	ns
t _{AA}		100		85	ns
t _{CO}		100		85	ns
t _{OE}		35		35	ns
t _{LB} , t _{UB}		100		85	ns
t _{LZ}	0		0		ns

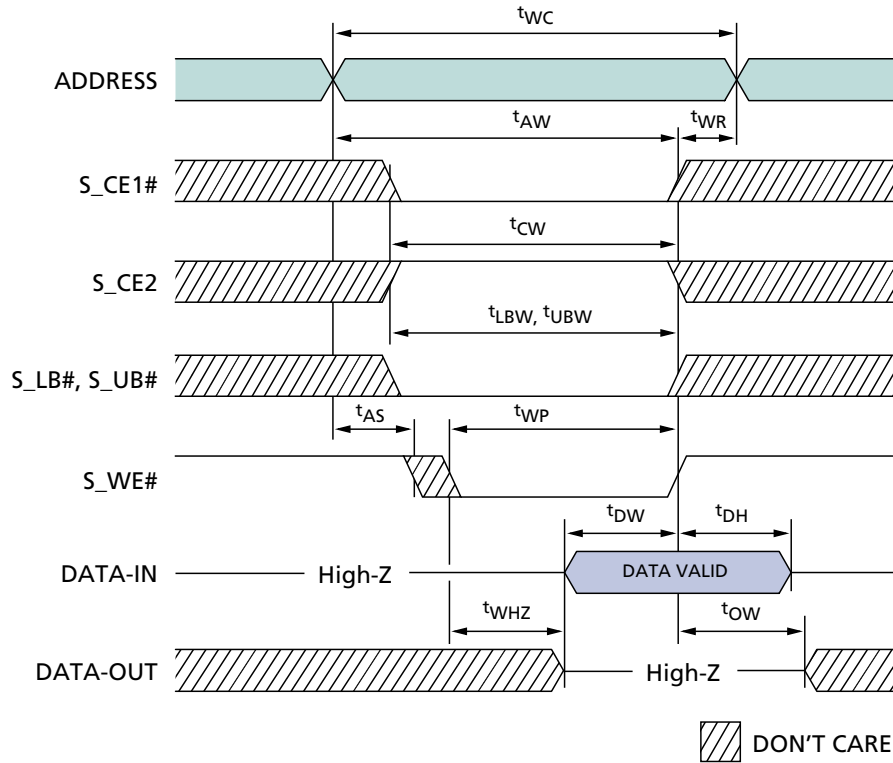
SYMBOL	-80/-85				UNITS
	V _{CC} = 1.70V-1.90V		V _{CC} = 1.80V-2.20V		
	MIN	MAX	MIN	MAX	
t _{OLZ}	0		0		ns
t _{HZ}	0	15	0	15	ns
t _{OHZ}	0	15	0	15	ns
t _{LBHZ} , t _{UBHZ}	0	15	0	15	ns
t _{OH}	5		5		ns



**2 MEG x 16 PAGE FLASH
256K x 16 SRAM COMBO MEMORY**

SRAM

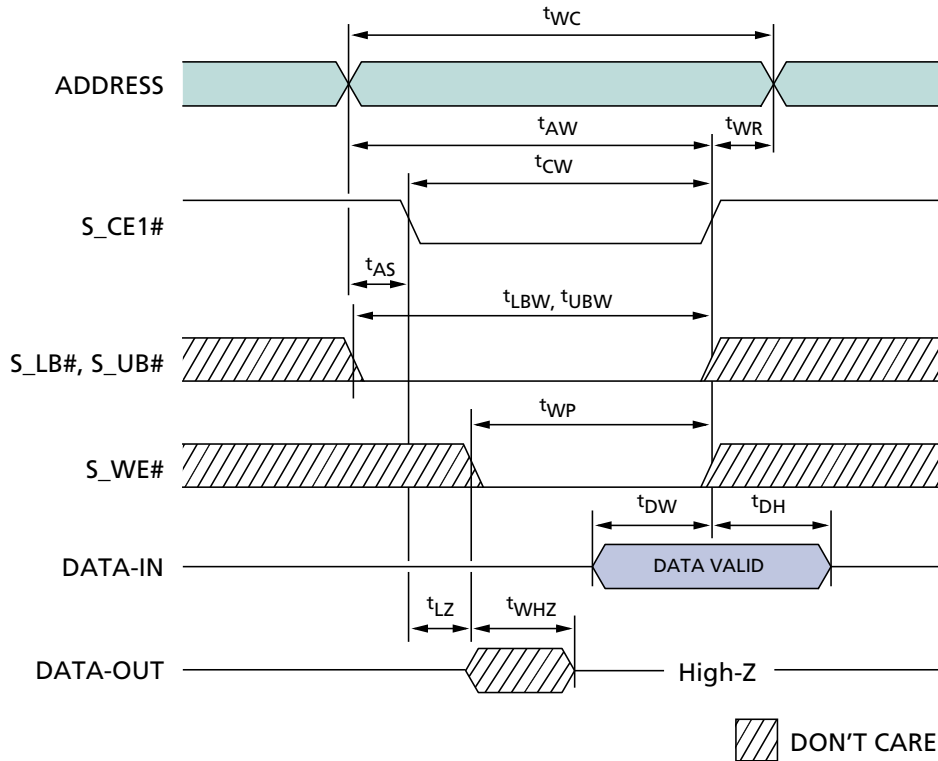
**WRITE CYCLE
(S_WE# CONTROL)**



WRITE TIMING PARAMETERS

SYMBOL	-80/-85		UNITS
	MIN	MAX	
t _{WC}		85	ns
t _{CW}		50	ns
t _{AW}		50	ns
t _{LBW} , t _{UBW}		50	ns
t _{AS}	0		ns
t _{WP}	50		ns

SYMBOL	-80/-85		UNITS
	MIN	MAX	
t _{WR}	0		ns
t _{WHZ}	0	15	ns
t _{DW}	50		ns
t _{DH}	0		ns
t _{OW}	0		ns

**WRITE CYCLE 2
(S_CE1# CONTROL)**

WRITE TIMING PARAMETERS

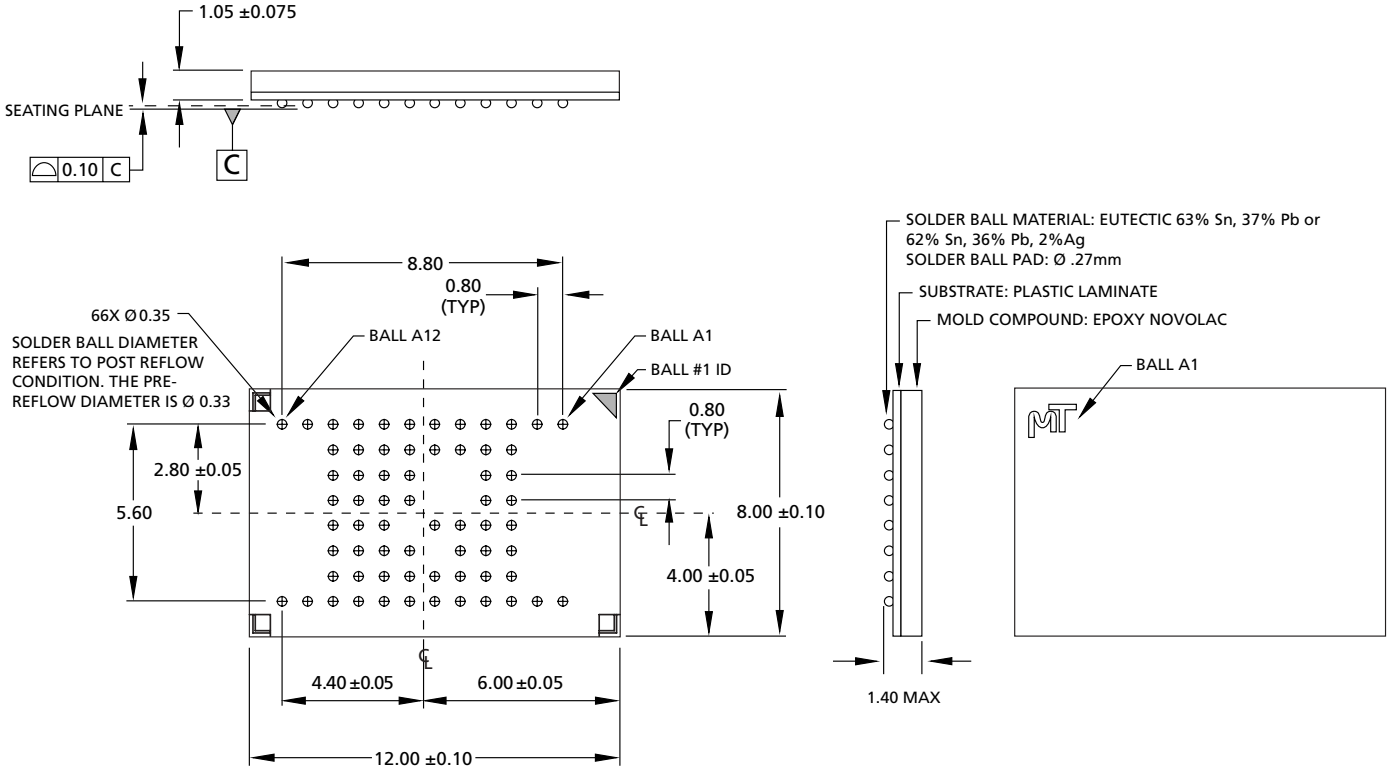
SYMBOL	-80/-85		UNITS
	MIN	MAX	
t_{WC}		85	ns
t_{CW}		50	ns
t_{AW}		50	ns
t_{LBW}, t_{UBW}		50	ns
t_{AS}	0		ns
t_{WP}	50		ns

SYMBOL	-80/-85		UNITS
	MIN	MAX	
t_{WR}	0		ns
t_{WHZ}	0	15	ns
t_{DW}	50		ns
t_{DH}	0		ns
t_{OW}	0		ns



2 MEG x 16 PAGE FLASH
256K x 16 SRAM COMBO MEMORY

66-BALL FBGA



- NOTE:** 1. All dimensions in millimeters.
2. Package width and length do not include mold protrusion; allowable mold protrusion is 0.27mm per side.

DATA SHEET DESIGNATION

Advance: This data sheet contains initial descriptions of products still under development.



8000 S. Federal Way, P.O. Box 6, Boise, ID 83707-0006, Tel: 208-368-3900
E-mail: prodmktg@micron.com, Internet: <http://www.micron.com>, Customer Comment Line: 800-932-4992
Micron is a registered trademark and the Micron logo and M logo are trademarks of Micron Technology, Inc.



REVISION HISTORY

Rev. 3, ADVANCE	7/02
<ul style="list-style-type: none"> • Updated Status Register Section • Updated command descriptions • Updated Read-While-Write Concurrency section • Updated timing diagrams • Changed Cout from 9 (TYP) and 12 (MAX) to 13 (TYP) and 15 (MAX) • Changed ^tRHS from 200ns to 0ns • Updated DC Characteristics 	
Rev. 2, ADVANCE	4/02
<ul style="list-style-type: none"> • Updated the DC CHARACTERISTICS table • Updated the chip protection mode and register information • Updated the block locking information 	
Rev. 2, ADVANCE	3/02
<ul style="list-style-type: none"> • Updated Table 4 • Updated Figure 9 • Updated notes for Combined DC Characteristics 	
Original document, Rev. 1, ADVANCE	12/01