



# MODEL: MT3151A05-2

Ver. 2.1

Date: 8.Jun.2012

Customer's Approval	CSOT
Signature _____ Date _____	Approved By Product Director Date _____ Name: Richard Lung Signature: _____
	Reviewed By PM Manager Date _____ Name: Aaron Tu Signature: _____
	Reviewed By Project Leader Date _____ Name: Richard Lung Signature: _____
	Reviewed By PM Date _____ Name: Teng Ma Signature: _____

## Contents

Revision History .....	4
1. General Description .....	5
1.1 Product Features .....	5
1.2 Overview.....	5
1.3 General Information.....	5
2. Absolute Maximum Ratings .....	6
2.1 Absolute Maximum Ratings (TA = 25 ± 2 °C) .....	6
2.2 Environment Requirement .....	6
2.3 Package Storage .....	7
3. Electrical Specification .....	8
3.1 Electrical Characteristics .....	8
3.1.1 Power Consumption (TA = 25 ± 2 °C).....	8
3.1.2 LVDS Characteristics.....	9
3.2 Backlight Unit.....	10
3.2.1 LED Light Bar Characteristics (TA = 25 ± 2 °C).....	10
3.2.2 LED Light Bar Output Connector Pin Definition.....	10
4. Electrical Block Diagram.....	11
5. Input Terminal Pin Assignment .....	12
5.1 TFT LCD Module .....	12
5.2 Block Diagram of Interface .....	14
5.3 LVDS Interface .....	14
5.3.1 VESA Format (SELLVDS = L or Open) .....	14
5.3.2 JEIDA Format (SELLVDS = H).....	14
5.4 Color Data Input Assignment .....	15
6. Interface Timing.....	16
6.1 Timing Table (DE Only Mode).....	16
6.2 Power On/Off Sequence .....	17
7. Optical Characteristics .....	18
7.1 Measurement Conditions .....	18
7.2 Optical Specifications .....	19
8. Mechanical Characteristics .....	23
8.1 Mechanical Specification.....	23
8.2 Packing.....	25
8.2.1 Packing Specifications .....	25
8.2.2 Packing Method .....	25

---

9. Definition of Labels .....	26
9.1 Module Label .....	26
9.2 Carton Label .....	26
9.3 Pallet Label .....	27
10. Precautions .....	28
10.1 Assembly and Handling Precautions .....	28
10.2 Safety Precautions .....	28

CSOT  
Confidential

## Revision History

Version	Date	Page (New)	Section	Description	Revision by
Ver. 1.1	27.Mar.2012	28	10	Tentative Specification.	Teng Ma
Ver. 2.1	8.Jun.2012	28	10	Approval Specification.	Teng Ma
		16	6.1	Update Timing Table.	Teng Ma
		19	7.2	Update Optical Specifications.	Teng Ma
		21	7.2	Update (5) Definition of uniformity of white screen.	Teng Ma
		25	8.2.1	Update packing specification.	Teng Ma
		25	8.2.2	Update packing method.	Teng Ma

## 1. General Description

### 1.1 Product Features

- **HD Resolution (1366 x 768)**
- **Brightness: 300 cd/m<sup>2</sup>**
- **Very High Contrast Ratio: 3000:1**
- **Fast Response Time**
- **Color Saturation: 62% NTSC**
- **Ultra Wide Viewing Angle: 178° (H)/178° (V) (CR ≥ 10)**
- **Low Power Consumption: Typ. 30 W**
- **DE (Data Enable) Mode**
- **LVDS (Low Voltage Differential Signaling) Interface**
- **RoHS Compliance**

### 1.2 Overview

MT3151A05-2 is a diagonal 31.5" color active matrix LCD module with edge LED backlight and 1ch-LVDS interface. This module is a transmissive type display operating in the normally black mode. It supports 1366 x 768 HD resolution and can display up to 16.7M colors (8-bit). Each pixel is divided into Red, Green and Blue sub-pixels which are arranged in horizontal stripe. The backlight is without converter.

This module dedicates for LCD TV products and provides excellent performance which includes high contrast ratio, ultra wide viewing angle, low power consumption and high color depth.

### 1.3 General Information

Item	Specification	Unit	Note
Active Area	697.685 (H) x 392.256 (V)	mm	
Bezel Opening Area	705.4 (H) x 400.0 (V)	mm	
Outline Dimension	735.4 (H) x 433.0 (V) x 10.8 (D)	mm	D: From Bezel to Rear (Thinner)
Weight	4.5	kg	Max.
Driving Scheme	a-Si TFT Active Matrix	-	
Number of Pixels	1366 x 768	pixel	
Pixel Pitch (Sub Pixel)	0.51075 (H) x 0.17025 (V)	mm	
Pixel Arrangement	RGB Horizontal Stripe	-	
Display Colors	16.7 M	color	8-bit
Display Mode	Transmissive Mode, Normally Black	-	
Surface Treatment	Anti-glare, Haze 2%, Hard Coating (3H)	-	
Luminance of White	300	cd/m <sup>2</sup>	Center Point, Typ.

## 2. Absolute Maximum Ratings

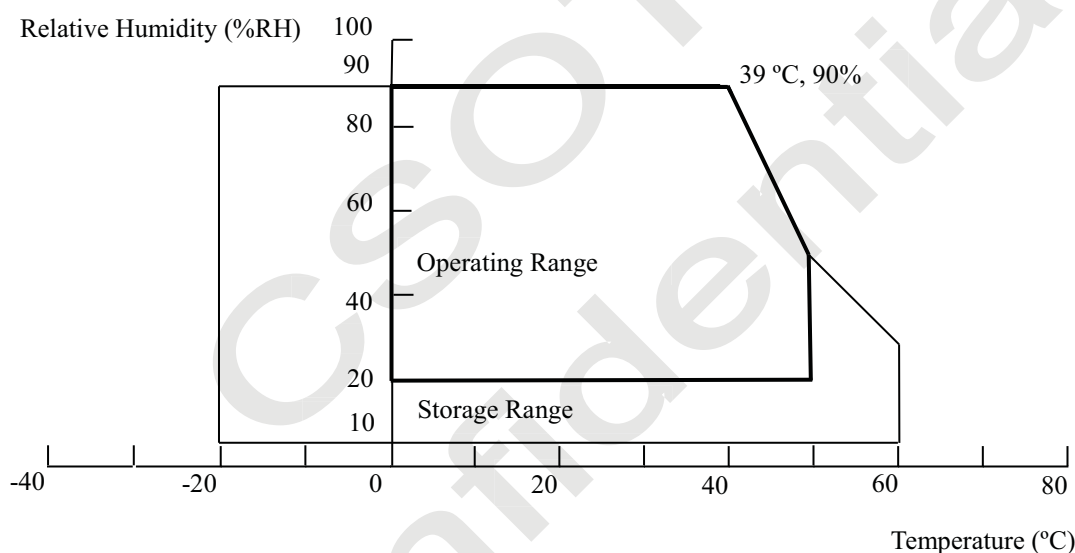
### 2.1 Absolute Maximum Ratings ( $T_A = 25 \pm 2 \text{ }^\circ\text{C}$ )

The followings are maximum values which, if exceeded, may cause damage to the unit.

Item	Symbol	Value		Unit
		Min.	Max.	
Power Supply Voltage	$V_{CC}$	- 0.3	13.5	V
Input Signal Voltage	$V_{IN}$	- 0.3	3.6	V
Light Bar Voltage	$V_w$	132.0	167.2	V

### 2.2 Environment Requirement

(1) Temperature and relative humidity range are shown as below.



- (a) 90%RH maximum ( $T_A < 39 \text{ }^\circ\text{C}$ ).
- (b) Wet-bulb temperature should be 39 °C maximum ( $T_A > 39 \text{ }^\circ\text{C}$ ).
- (c) No condensation.

(2) The storage temperature is between - 20 °C to 60 °C, and the operating ambient temperature is between 0 °C to 50 °C.

The maximum operating temperature is based on the test condition that the surface temperature of display area is less than or equal to 65 °C with LCD module in a temperature controlled chamber alone. Thermal management should be considered in final product design to prevent the surface temperature of display area from being over 65 °C. The range of operating temperature may degrade in case of improper thermal management in the end product design.

(3) The TFT module including glass should be avoided any shock or vibration.

While testing shock and vibration, the fixture holding the module should be assured to be hard and rigid enough to prevent the module twisted or bent by the fixture. The test conditions should be less than:

Shock (Non-operating): 35 G, 11 ms, half sine wave, 1 time for  $\pm X, \pm Y, \pm Z$ .

Vibration (Non-operating): Random 1.0 Grms, 10 ~ 200 Hz, 10 min, 1 time for each X, Y, Z.

### **2.3 Package Storage**

When storing modules as spares for a long time, please follow the precaution instructions:

- (1) Do not store the module in high temperature and high humidity for a long time. It is highly recommended to store the module with temperature from 0 °C to 35 °C in normal humidity.
- (2) The module shall be stored in a dark area and avoided to be exposed in direct sunlight or fluorescent light.

CSOT  
Confidential

### 3. Electrical Specification

#### 3.1 Electrical Characteristics

##### 3.1.1 Power Consumption ( $T_A = 25 \pm 2 \text{ }^\circ\text{C}$ )

Parameter		Symbol	Value			Unit	Note
			Min.	Typ.	Max.		
Power Supply Voltage		$V_{CC}$	10.8	12.0	13.2	V	(1)
Rush Current		$I_{RUSH}$	-	-	3.0	A	(2)
Power Supply Current	White Pattern	$I_{CC}$	-	0.2	0.3	A	(3)
	Vertical Stripe	$I_{CC}$	-	0.4	0.5	A	
	Black Pattern	$I_{CC}$	-	0.2	0.3	A	

Note:

(1) The ripple voltage should be controlled less than 10% of  $V_{CC}$ .

(2) Measurement condition:  $V_{CC}$  rising time = 470  $\mu\text{s}$ .

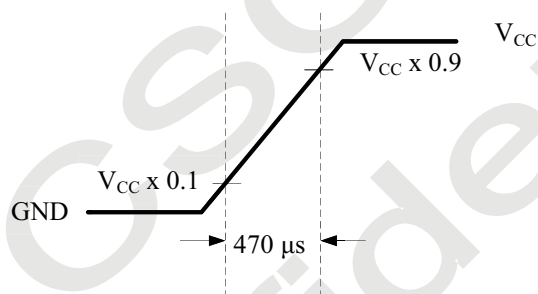


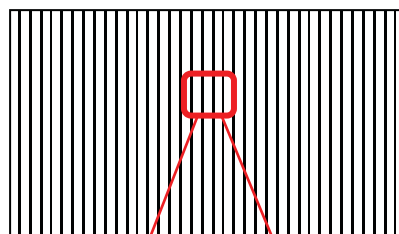
Fig. 3.1  $V_{CC}$  rising time condition

(3) Measurement condition:  $V_{CC} = 12 \text{ V}$ ,  $T_A = 25 \pm 2 \text{ }^\circ\text{C}$ ,  $F = 60 \text{ Hz}$ . The test patterns are shown as below.

A. White Pattern



B. Vertical Pattern



C. Black Pattern

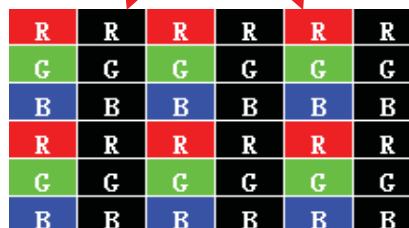


Fig. 3.2 Test patterns



### 3.1.2 LVDS Characteristics

Parameter	Symbol	Value			Unit	Note	
		Min.	Typ.	Max.			
LVDS Interface	Differential Input High Threshold Voltage	$V_{TH}$	+ 100.0	-	-	mV	(1)
	Differential Input Low Threshold Voltage	$V_{TL}$	-	-	- 100.0	mV	
	Common Input Voltage	$V_{CM}$	1.0	1.2	1.4	V	
	Differential Input Voltage	$ V_{ID} $	200.0	-	600.0	mV	
	Terminating Resistor	$R_T$	-	100.0	-	ohm	
CMOS Interface	Input High Threshold Voltage	$V_{IH}$	2.7	-	3.3	V	
	Input Low Threshold Voltage	$V_{IL}$	0.0	-	0.6	V	

Note:

(1) The LVDS input signal has been defined as follows:

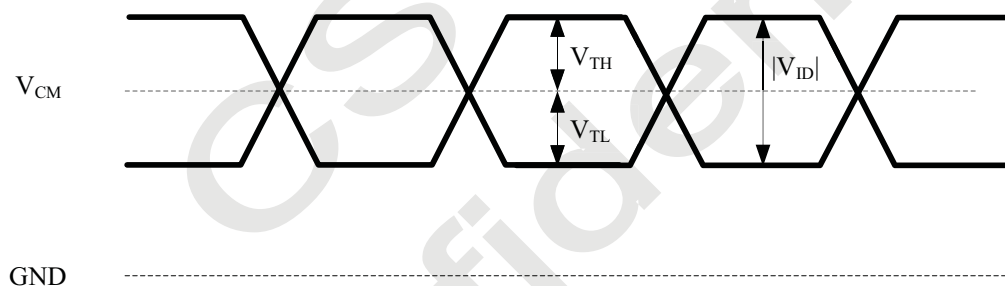


Fig. 3.3 LVDS input signal

## 3.2 Backlight Unit

### 3.2.1 LED Light Bar Characteristics ( $T_A = 25 \pm 2 \text{ }^\circ\text{C}$ )

Parameter	Symbol	Value			Unit	Note
		Min.	Typ.	Max.		
Power Consumption	$P_{BL}$	-	25.0	-	W	(1)
Light Bar Voltage	$V_w$	132.0	150.0	167.2	V	
Light Bar Current	$I_L$	-	150.0	-	mA	(1)
Lifetime	-	30000.0	-	-	Hrs	(2)

Note:

(1) Dimming ratio = 100% (Max.) ( $T_A = 25 \pm 2 \text{ }^\circ\text{C}$ ).

(2) The Lifetime is defined as the time which luminance of the LED decays to 50% compared to the initial value, Operating condition: Continuous operating at  $T_a = 25 \pm 2 \text{ }^\circ\text{C}$ ,  $I_L = 150 \text{ mA}$ .

### 3.2.2 LED Light Bar Output Connector Pin Definition

Light bar cable CN1: CI0113S0000 (Cvilux) or equivalent (see Note (1))

Pin No.	Symbol	Description	Note
1	VLED+	Positive of LED String	
2	NC	For CSOT internal only	(2)
3	VLED-	Negative of LED String	

Note:

(1) The direction of pin assignment is shown as below:

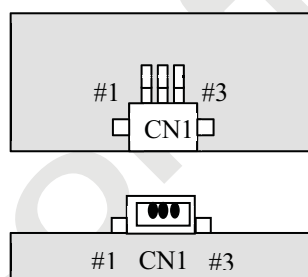
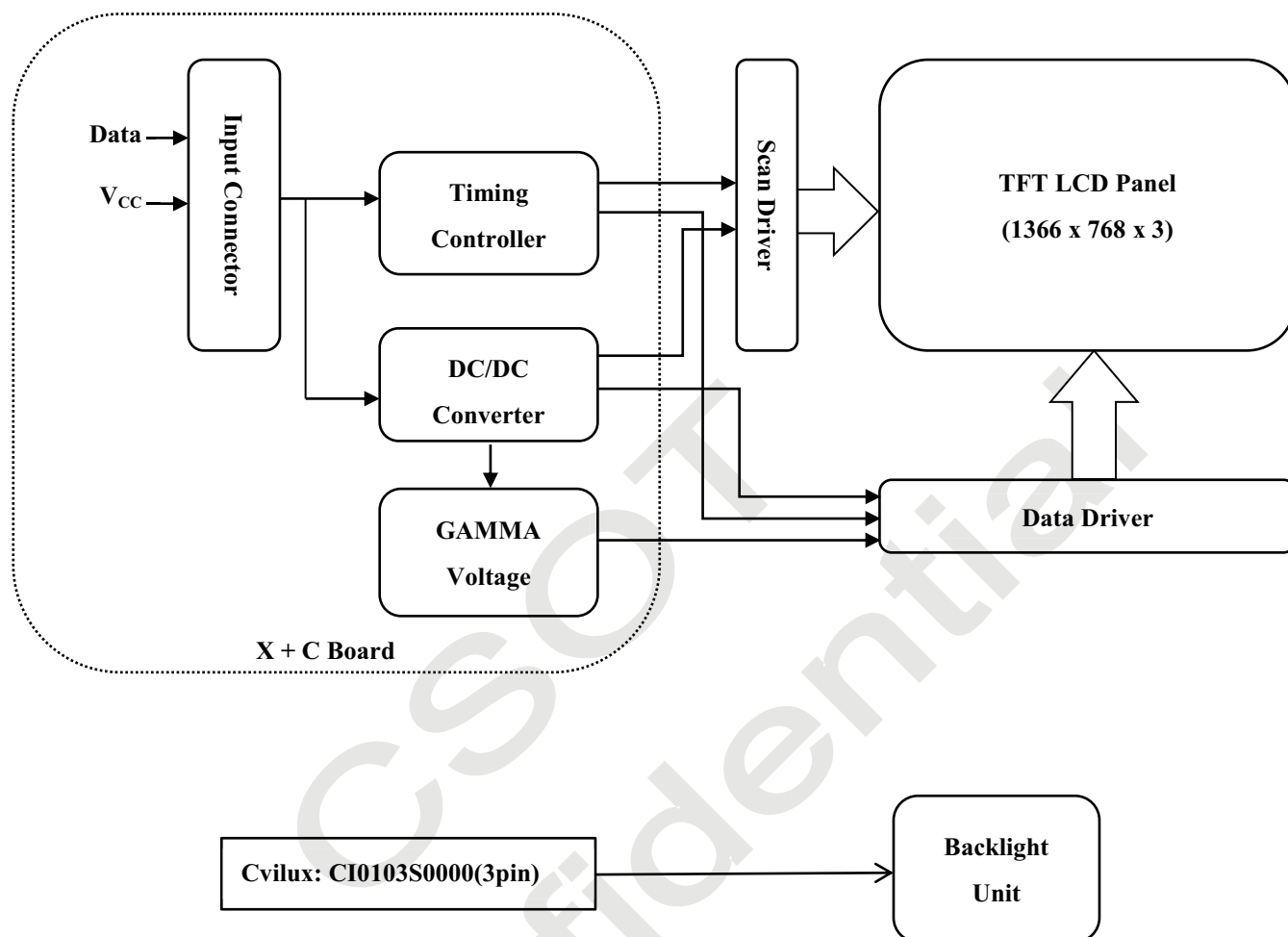


Fig. 3.4 Light bar cable connector direction sketch map

(2) For CSOT internal only, please let it open.

## 4. Electrical Block Diagram



## 5. Input Terminal Pin Assignment

### 5.1 TFT LCD Module

X + C Board CN1: 300B30-0000RA-M4 (Starconn) or equivalent (see Note (1))

Pin No.	Symbol	Description	Note
1	V <sub>CC</sub>	Power Supply ,+ 12 V DC Regulated	
2	V <sub>CC</sub>	Power Supply ,+ 12 V DC Regulated	
3	V <sub>CC</sub>	Power Supply ,+ 12 V DC Regulated	
4	V <sub>CC</sub>	Power Supply ,+ 12 V DC Regulated	
5	GND	Ground	
6	GND	Ground	
7	GND	Ground	
8	GND	Ground	
9	LVDS SEL	LVDS Data Format Selection	(2)
10	NC	For CSOT internal only	(3)
11	GND	Ground	
12	LV1N0	1st Channel LVDS Data Input (0-)	
13	LV1P0	1st Channel LVDS Data Input (0+)	
14	GND	Ground	
15	LV1N1	1st Channel LVDS Data Input (1-)	
16	LV1P1	1st Channel LVDS Data Input (1+)	
17	GND	Ground	
18	LV1N2	1st Channel LVDS Data Input (2-)	
19	LV1P2	1st Channel LVDS Data Input (2+)	
20	GND	Ground	
21	LVCK1N	1st Channel LVDS Clock Input (-)	
22	LVCK1P	1st Channel LVDS Clock Input (+)	
23	GND	Ground	
24	LV1N3	1st Channel LVDS Data Input (3-)	
25	LV1P3	1st Channel LVDS Data Input (3+)	
26	GND	Ground	
27	NC	For CSOT internal only	(3)
28	NC	For CSOT internal only	(3)
29	NC	For CSOT internal only	(3)
30	GND	Ground	

Note:

(1) The direction of pin assignment is shown as below:

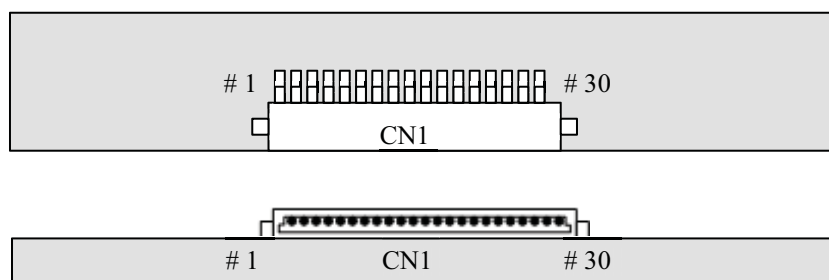
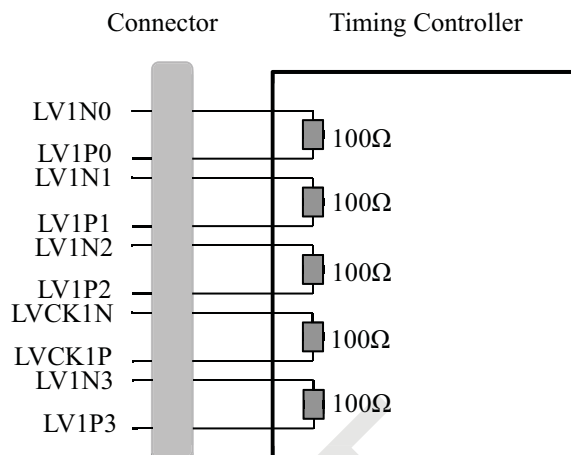


Fig. 5.1 LVDS connector direction sketch map

(2) High: connect to + 3.3 V → JEIDA format; Low: connect to GND or Open → VESA format.

(3) For CSOT internal only, please let it open.

## 5.2 Block Diagram of Interface

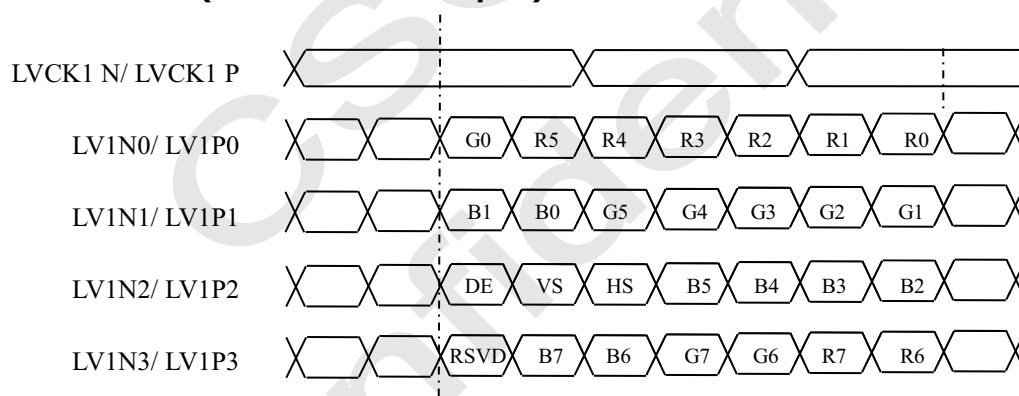


Attention:

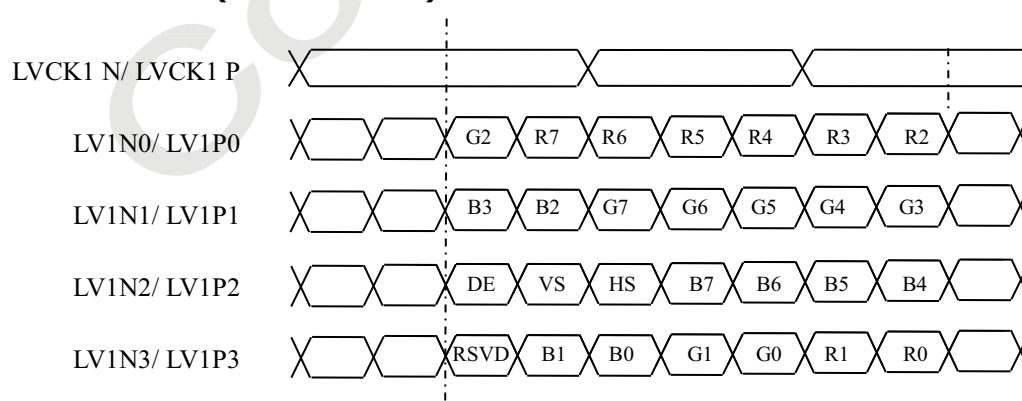
- (1) LCD module uses a 100 ohms ( $\Omega$ ) resistor between positive and negative lines of each receiver input.
- (2) LVDS cable impedance shall be 50 ohms per signal line or about 100 ohms per twist-pair line respectively.

## 5.3 LVDS Interface

### 5.3.1 VESA Format (SELLVDS = L or Open)



### 5.3.2 JEIDA Format (SELLVDS = H)



### 5.4 Color Data Input Assignment

The brightness of each primary color is based on the 8-bit gray scale data input for each color. The higher the binary input, the brighter the color. The table below provides the assignment of the color versus.

Data Input Color		Data Signal																							
		Red								Green								Blue							
		MSB				LSB				MSB				LSB				MSB				LSB			
		R7	R6	R5	R4	R3	R2	R1	R0	G7	G6	G5	G4	G3	G2	G1	G0	B7	B6	B5	B4	B3	B2	B1	B0
Basic Colors	Black	0	0	0	0	0	0	0	0	0	0	0	0	0	0	0	0	0	0	0	0	0	0	0	0
	Red	1	1	1	1	1	1	1	1	0	0	0	0	0	0	0	0	0	0	0	0	0	0	0	0
	Green	0	0	0	0	0	0	0	0	1	1	1	1	1	1	1	1	0	0	0	0	0	0	0	0
	Blue	0	0	0	0	0	0	0	0	0	0	0	0	0	0	0	0	1	1	1	1	1	1	1	1
	Cyan	0	0	0	0	0	0	0	0	1	1	1	1	1	1	1	1	1	1	1	1	1	1	1	1
	Magenta	1	1	1	1	1	1	1	1	0	0	0	0	0	0	0	0	1	1	1	1	1	1	1	1
	Yellow	1	1	1	1	1	1	1	1	1	1	1	1	1	1	1	1	0	0	0	0	0	0	0	0
	White	1	1	1	1	1	1	1	1	1	1	1	1	1	1	1	1	1	1	1	1	1	1	1	1
Gray Scale of Red	Red (0) / Dark	0	0	0	0	0	0	0	0	0	0	0	0	0	0	0	0	0	0	0	0	0	0	0	0
	Red (1)	0	0	0	0	0	0	0	1	0	0	0	0	0	0	0	0	0	0	0	0	0	0	0	0
	:	:	:	:	:	:	:	:	:	:	:	:	:	:	:	:	:	:	:	:	:	:	:	:	:
	:	:	:	:	:	:	:	:	:	:	:	:	:	:	:	:	:	:	:	:	:	:	:	:	:
	Red (254)	1	1	1	1	1	1	1	0	0	0	0	0	0	0	0	0	0	0	0	0	0	0	0	0
	Red (255)	1	1	1	1	1	1	1	1	0	0	0	0	0	0	0	0	0	0	0	0	0	0	0	0
Gray Scale of Green	Green (0) / Dark	0	0	0	0	0	0	0	0	0	0	0	0	0	0	0	0	0	0	0	0	0	0	0	0
	Green (1)	0	0	0	0	0	0	0	0	0	0	0	0	0	0	0	1	0	0	0	0	0	0	0	0
	:	:	:	:	:	:	:	:	:	:	:	:	:	:	:	:	:	:	:	:	:	:	:	:	:
	:	:	:	:	:	:	:	:	:	:	:	:	:	:	:	:	:	:	:	:	:	:	:	:	:
	Green (254)	0	0	0	0	0	0	0	0	1	1	1	1	1	1	1	0	0	0	0	0	0	0	0	0
	Green (255)	0	0	0	0	0	0	0	0	1	1	1	1	1	1	1	1	0	0	0	0	0	0	0	0
Gray Scale of Blue	Blue (0) / Dark	0	0	0	0	0	0	0	0	0	0	0	0	0	0	0	0	0	0	0	0	0	0	0	0
	Blue (1)	0	0	0	0	0	0	0	0	0	0	0	0	0	0	0	0	0	0	0	0	0	0	0	1
	:	:	:	:	:	:	:	:	:	:	:	:	:	:	:	:	:	:	:	:	:	:	:	:	:
	:	:	:	:	:	:	:	:	:	:	:	:	:	:	:	:	:	:	:	:	:	:	:	:	:
	Blue (254)	0	0	0	0	0	0	0	0	0	0	0	0	0	0	0	0	1	1	1	1	1	1	1	0
	Blue (255)	0	0	0	0	0	0	0	0	0	0	0	0	0	0	0	0	1	1	1	1	1	1	1	1

Attention:

0: Low level voltage; 1: High level voltage.

## 6. Interface Timing

### 6.1 Timing Table (DE Only Mode)

Signal	Item	Symbol	Min.	Typ.	Max.	Unit	Note
LVDS Clock	Frequency	$F_{CLK}$ ( $= 1 / T_{CLK}$ )	50.0	75.4	85.0	MHz	
Vertical Term	Frame Rate	F	47.0	60.0	63.0	Hz	
	Vertical Frequency	$F_V$	43.0	48.0	53.0	KHz	
	Total	$T_V$	784.0	806.0	1015.0	$T_H$	$T_V = T_{VD} + T_{VB}$
	Display	$T_{VD}$	768.0			$T_H$	
	Blank	$T_{VB}$	16.0	38.0	247.0	$T_H$	
Horizontal Term	Total	$T_H$	1460.0	1560.0	2000.0	$T_{CLK}$	$T_H = T_{HD} + T_{HB}$
	Display	$T_{HD}$	1366.0			$T_{CLK}$	
	Blank	$T_{HB}$	94.0	194.0	634.0	$T_{CLK}$	

Attention:

(1) The module is operated in DE only mode, H sync and V sync input signal have no effect on normal operation.

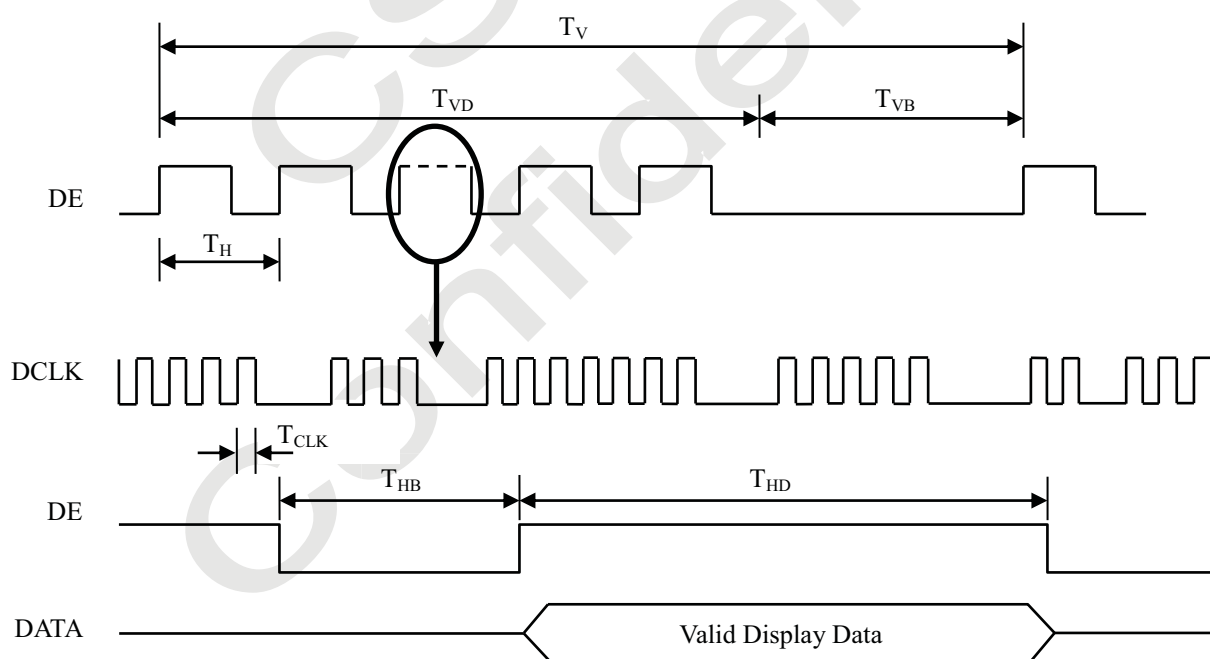


Fig. 6.1 Interface signal timing diagram



## 6.2 Power On/Off Sequence

To prevent a latch-up or DC operation of LCD module, the power on/off sequence should be as the diagram below.

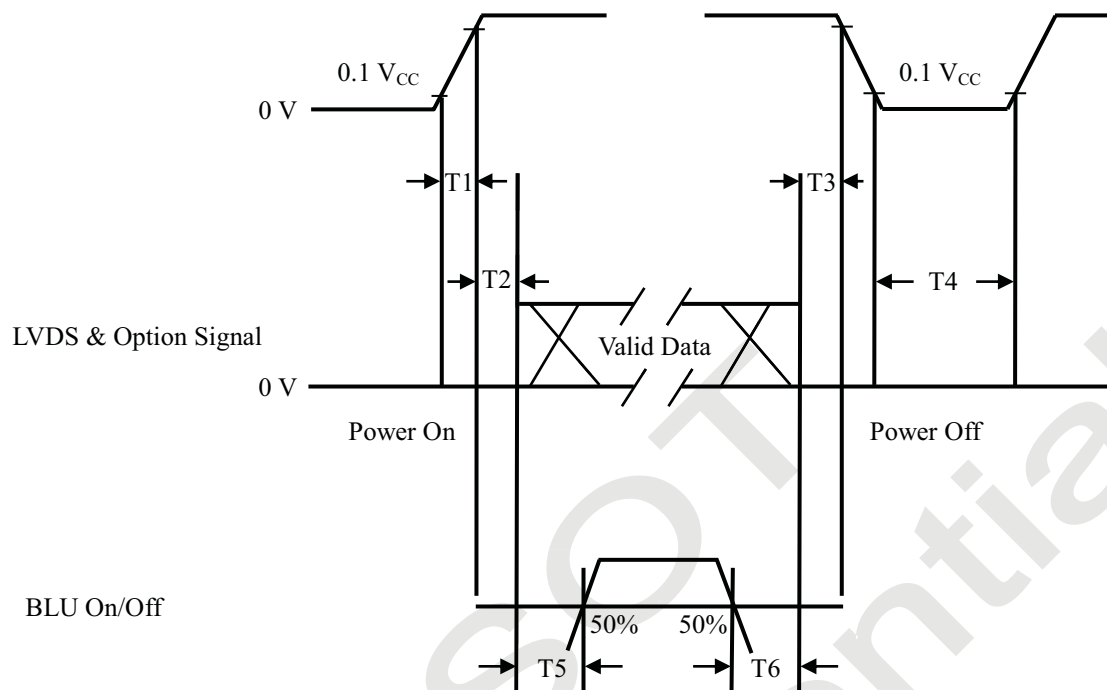


Fig. 6.2 Power on/off Sequence

Parameter	Values			Unit
	Min.	Typ.	Max.	
T1	0.5	-	10.0	ms
T2	0.0	-	-	ms
T3	0.0	-	-	ms
T4	1000.0	-	-	ms
T5	500.0	-	-	ms
T6	100.0	-	-	ms

Attention:

- (1) The supply voltage of the external system for the module input should follow the definition of V<sub>CC</sub>.
- (2) Apply the light bar voltage within the LCD operation range. When the backlight turns on before the LCD operation or the LCD turns off before the backlight turns off, the display may momentarily become abnormal screen.
- (3) In case that V<sub>CC</sub> is in off level, please keep the level of input signals on the low or high impedance. If T2 < 0, that may cause electrical overstress.
- (4) T4 should be measured after the module has been fully discharged between power off and on period.
- (5) Interface signal shall not be kept at high impedance when the power is on.

## 7. Optical Characteristics

### 7.1 Measurement Conditions

The table below is the test condition of optical measurement.

Item	Symbol	Value	Unit
Ambient Temperature	$T_A$	$25 \pm 2$	$^{\circ}\text{C}$
Ambient Humidity	$H_A$	$50 \pm 10$	% RH
LVDS Supply Voltage	$V_{CC}$	12	V
Driving Signal	Refer to the typical value in Chapter 3: Electrical Specification		
LED Driving Current	$I_L$	120	mA
Vertical Refresh Rate	$F_R$	60	Hz

To avoid abrupt temperature change during optical measurement, it's suggested to warm up the LCD module more than 45 minutes after lighting the backlight and in the windless environment.

To measure the LCD module, it is suggested to set up the standard measurement system as Fig. 7.1. The measuring area  $S$  should contain at least 500 pixels of the LCD module as illustrated in Fig. 7.2 ( $A$  means the area allocated to one pixel). In this model, for example, the minimum measuring distance  $Z$  is 370 mm when  $\theta$  is 2 degree. Hence, 500 mm is the typical measuring distance. This measuring condition is referred to 301-2H of VESA FPDM 2.0 about viewing distance, angle, and angular field of view definition.

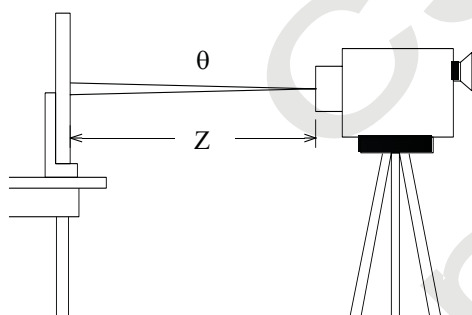


Fig. 7.1 The standard set-up system of measurement

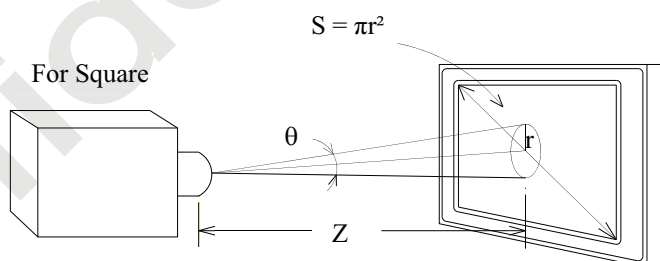


Fig. 7.2 The area  $S$  contains at least 500 pixels to be measured

$$N = \frac{S}{A} \geq 500\text{pixels}$$

$N$  means the actual number of the pixels in the area  $S$ .

## 7.2 Optical Specifications

The table below of optical characteristics is measured by MINOLTA CS2000, MINOLTA CA310, ELDIM OPTI Scope-SA and ELDIM EZ Contrast in dark room.

Item		Symbol	Condition	Min.	Typ.	Max.	Unit	Note		
Static Contrast Ratio		CR	$\theta_H = 0^\circ, \theta_V = 0^\circ$ Normal direction at center point of the LCD Module	2400	3000	-	-	(1) (2)		
Response Time		$T_L$		-	6.5	12.0	ms	(3)		
Center Luminance		$L_W$		250	300	-	cd/m <sup>2</sup>	(2) (4)		
Uniformity of White Screen		-		70	-	-	%	(2) (5)		
Color Chromaticity (CIE1931)	Red	$R_X$		Typ.	- 0.03	Typ.	+ 0.03	-	(2) (6)	
		$R_Y$						-		
	Green	$G_X$						0.613		-
		$G_Y$						0.333		-
	Blue	$B_X$						0.331		-
		$B_Y$						0.604		-
	White	$W_X$	0.153					-		
		$W_Y$	0.071					-		
Color Gamut	CG	-	62	-	% NTSC					
Viewing Angle	Horizontal	$\theta_{H+}$	80	89	-	Deg.	(7)			
		$\theta_{H-}$	80	89	-					
	Vertical	$\theta_{V+}$	80	89	-					
		$\theta_{V-}$	80	89	-					

Note:

(1) Definition of static contrast ratio (CR):

It's necessary to switch off all the dynamic and dimming function when measuring the static contrast ratio.

$$\text{Static Contrast Ratio (CR)} = \frac{\text{CR-W}}{\text{CR-D}}$$

CR-W is the luminance measured by LMD (light-measuring device) at the center point of the LCD module with full-screen displaying white. The standard setup of measurement is illustrated in Fig. 7.3; CR-D is the luminance measured by LMD at the center point of the LCD module with full-screen displaying black. The LMD in this item is CS2000.

(2) The LMD in the item could be a spectroradiometer such as (KONICA MINOLTA) CS2000, CS1000(TOPCON), SR-UL2 or the same level spectroradiometer. Other display color analyzer (KONICA MINOLTA) CA210, CA310 or (TOPCON) BM-7 could be involved after being calibrated with a spectroradiometer on each stage of a product.

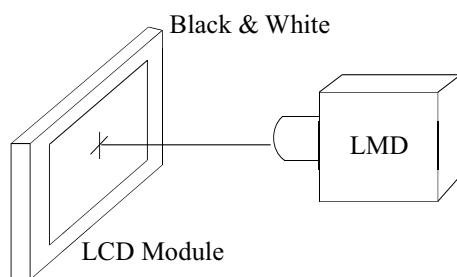


Fig. 7.3 The standard setup of CR measurement

(3) Response time  $T_L$  is defined as the average transition time in the response time matrix. The table below is the response time matrix in which each element  $t_{X \text{ to } Y}$  is the transition time from luminance ratio X to Y. X and Y are two different luminance ratios among 0%, 25%, 50%, 75%, and 100% luminance. The transition time  $t_{X \text{ to } Y}$  is defined as the time taken from 10% to 90% of the luminance difference between X and Y ( $X < Y$ ) as illustrated in Fig.7.4. When  $X > Y$ , the definition of  $t_{X \text{ to } Y}$  is the time taken from 90% to 10% of the luminance difference between X and Y. The response time is optimized on refresh rate  $F_r = 60\text{Hz}$ .

Measured Transition Time		Luminance Ratio of Previous Frame				
		0%	25%	50%	75%	100%
Luminance Ratio of Current Frame	0%		$t_{25\% \text{ to } 0\%}$	$t_{50\% \text{ to } 0\%}$	$t_{75\% \text{ to } 0\%}$	$t_{100\% \text{ to } 0\%}$
	25%	$t_{0\% \text{ to } 25\%}$		$t_{50\% \text{ to } 25\%}$	$t_{75\% \text{ to } 25\%}$	$t_{100\% \text{ to } 25\%}$
	50%	$t_{0\% \text{ to } 50\%}$	$t_{25\% \text{ to } 50\%}$		$t_{75\% \text{ to } 50\%}$	$t_{100\% \text{ to } 50\%}$
	75%	$t_{0\% \text{ to } 75\%}$	$t_{25\% \text{ to } 75\%}$	$t_{50\% \text{ to } 75\%}$		$t_{100\% \text{ to } 75\%}$
	100%	$t_{0\% \text{ to } 100\%}$	$t_{25\% \text{ to } 100\%}$	$t_{50\% \text{ to } 100\%}$	$t_{75\% \text{ to } 100\%}$	

$t_{X \text{ to } Y}$  means the transition time from luminance ratio X to Y.

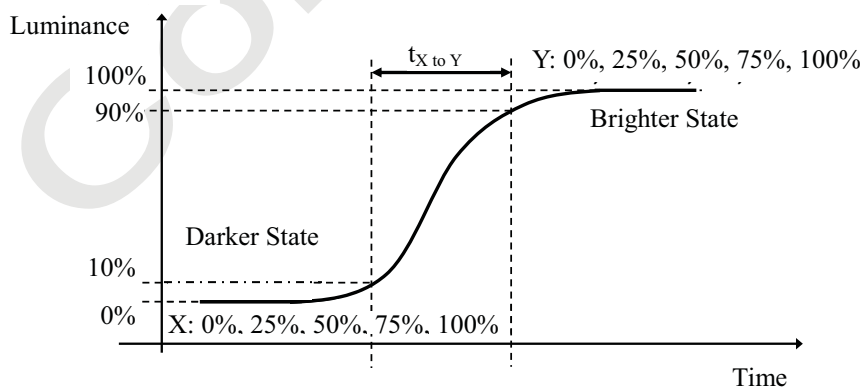


Fig. 7.4 The definition of  $t_{X \text{ to } Y}$

All the transition time is measured at the center point of the LCD module by ELDIM OPTI Scope-SA.

(4) Definition of center luminance ( $L_w$ ):

The luminance is measured at the center point of the LCD module with full-screen displaying white. Fig. 7.5 shows the standard setup of luminance measurement.

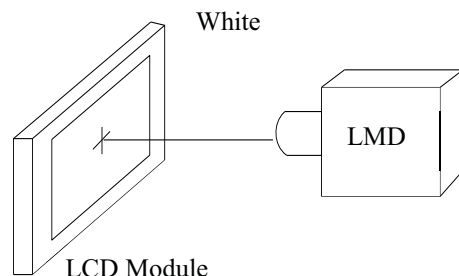


Fig. 7.5 The standard setup of luminance measurement

## (5) Definition of uniformity of white screen:

The luminance  $L_i$  ( $i$  from 1 to 5) is measured at the 5 points defined in Fig. 7.6.  $H$  and  $V$  indicate active area.

From the measured set of luminance values  $L_i$  ( $i$  from 1 to 5), the minimum luminance is denoted as  $L_{\min}$  and the maximum luminance is denoted as  $L_{\max}$ . The uniformity of white screen is defined according to

$$\text{Uniformity} = L_{\min} / L_{\max} \times 100\%.$$

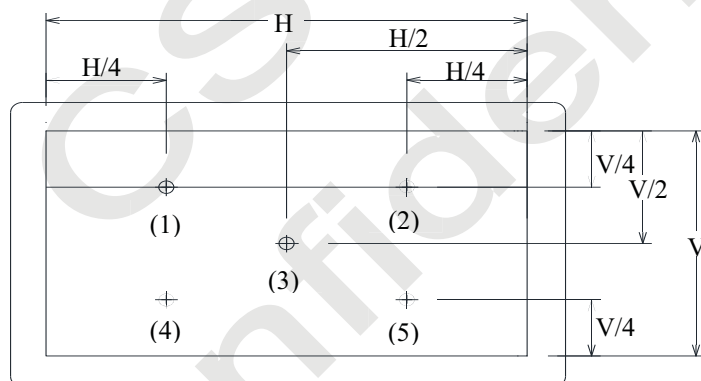


Fig. 7.6 Symbol “+” defines the 5 measuring locations (1), (2), (3) … (5)

## (6) Definition of color chromaticity:

Each chromaticity coordinates ( $x, y$ ) are measured in CIE1931 color space when full-screen displaying primary color R, G, B and white. The color gamut is defined as the fraction in percent of the area of the triangle bounded by R, G, B coordinates and the area is defined by NTSC 1953 color standard in the CIE color space. Chromaticity coordinates are measured by CS2000 and the standard setup of measurement is shown in Fig. 7.7.

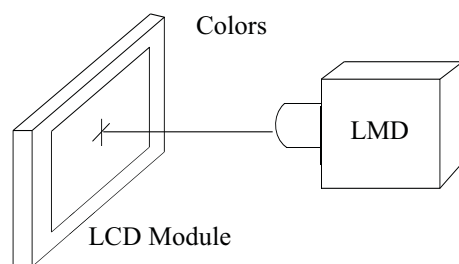


Fig. 7.7 The standard setup of color chromaticity measurement

(7) Definition of viewing angle coordinate system ( $\theta_H$ ,  $\theta_V$ ):

The contrast ratio is measured at the center point of the LCD module. The viewing angles are defined at the angle that the contrast ratio is larger than 10 at four directions relative to the perpendicular direction of the LCD module (two vertical angles: up  $\theta_{V+}$  and down  $\theta_{V-}$ ; and two horizontal angles: right  $\theta_{H+}$  and left  $\theta_{H-}$ ) as illustrated in Fig. 7.8. The contrast ratio is measured by ELDIM EZ Contrast.

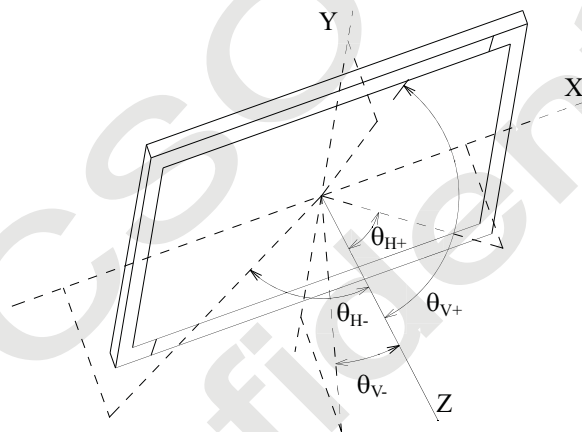
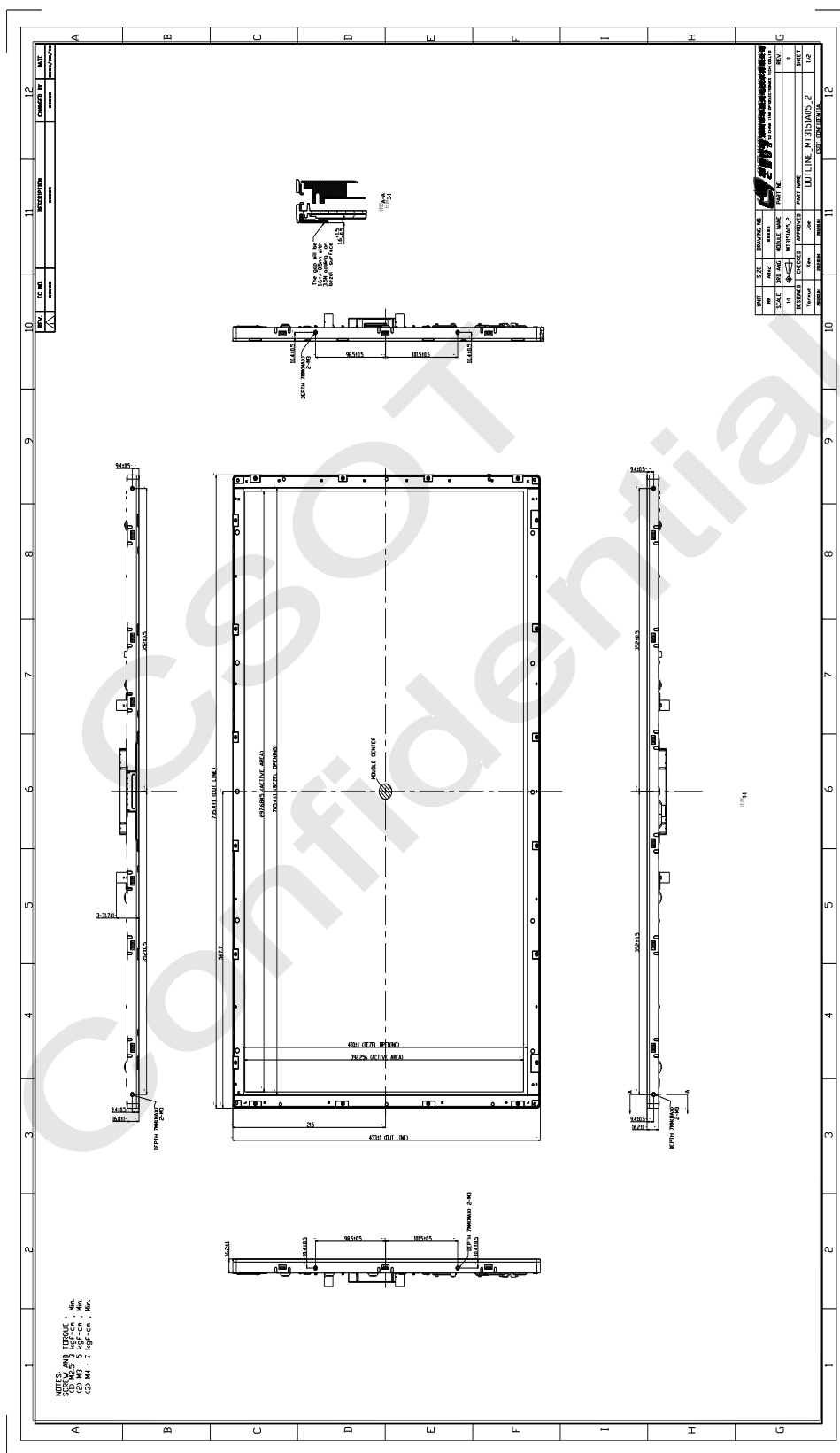
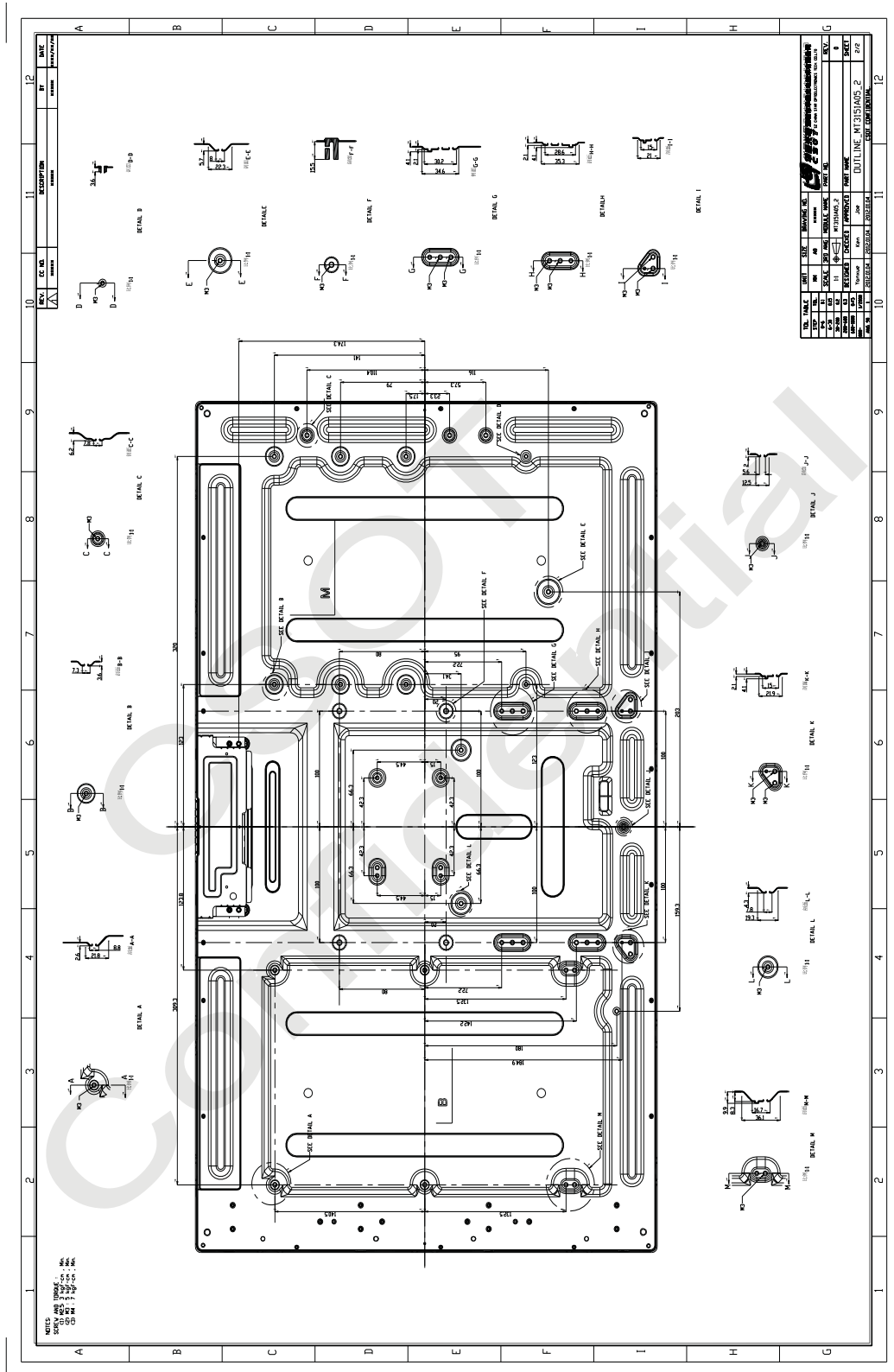


Fig. 7.8 Viewing angle coordination system

## 8. Mechanical Characteristics

### 8.1 Mechanical Specification







## 8.2 Packing

### 8.2.1 Packing Specifications

Item	Specification		
	Quantity	Dimension (mm)	Weight (kg)
Packing Box	24 pcs / box	1140.00 (L) x 818.00 (W) x 505.00 (H)	Net Weight: 102.00(Max.) Gross Weight: 110.80 (Max.)
Pallet	1	1150.00 (L) x 850.00 (W) x 120.00 (H)	Net Weight:5.04
Stack Layer	2		
Boxes per Pallet	2 boxes / pallet		
Pallet after Packing	48 pcs / pallet	1150.00 (L) x 850.00 (W) x 1130.00(H)	Gross Weight:227.00

### 8.2.2 Packing Method

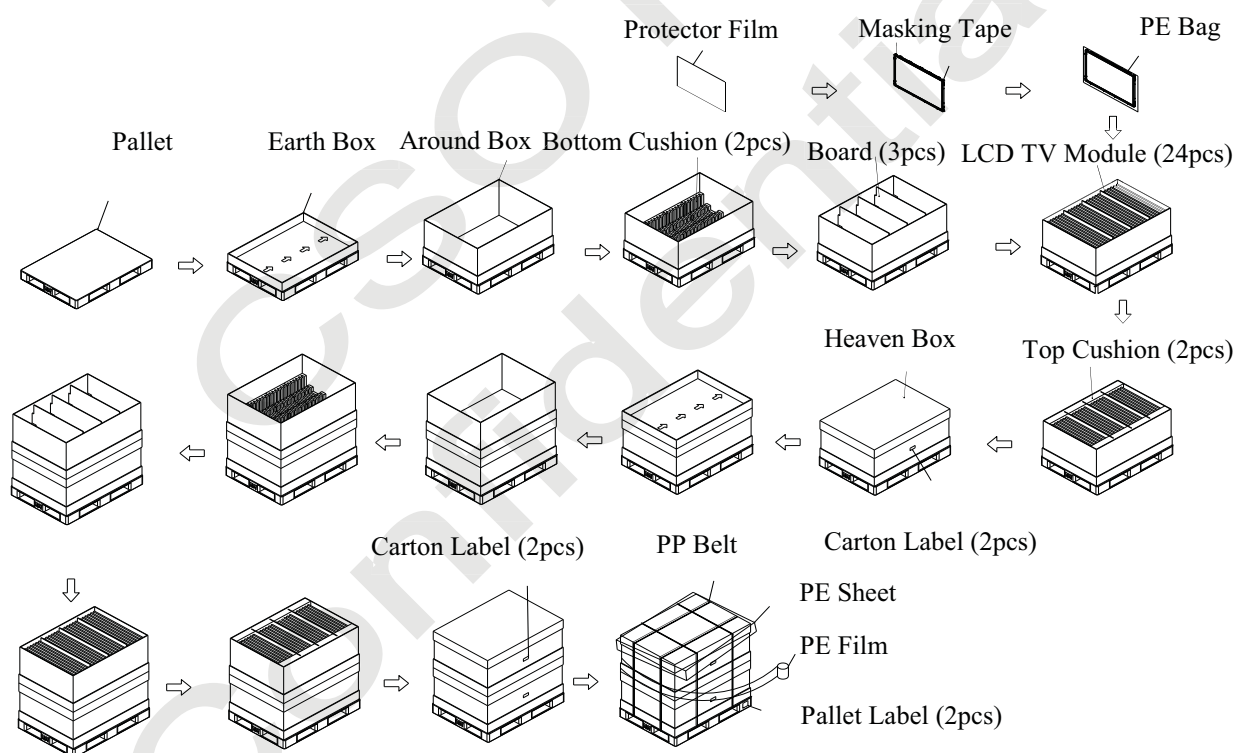
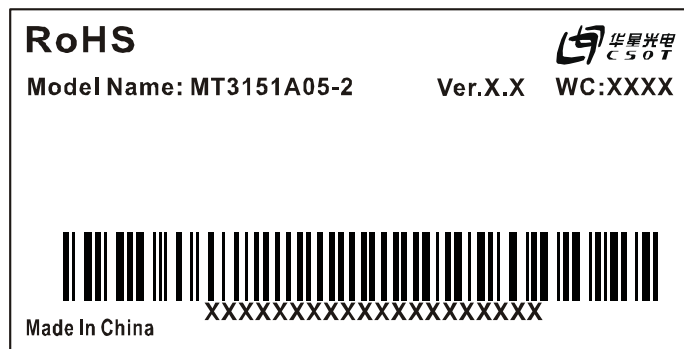


Fig. 8.1 Packing method (protector film stick on the front of the LCD module)

## 9. Definition of Labels

### 9.1 Module Label

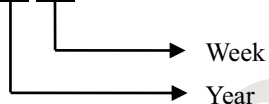


For RoHS compliant products, CSOT will add RoHS for identification.

Model Name: MT3151A05-2

Ver. X.X: Version, for example: 0.1, 0.2, ..., 1.1, 1.2, ..., 2.1, 2.2, ...

WC (Week Code): XX XX



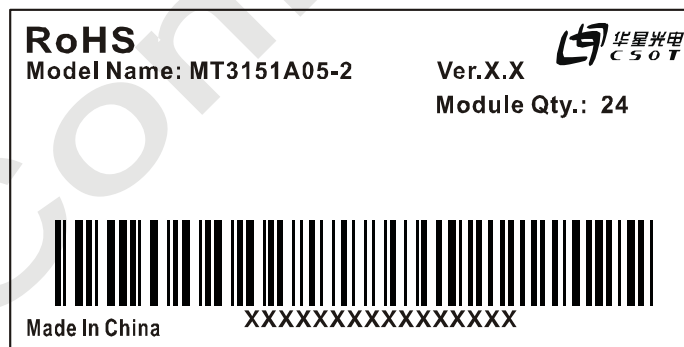
Year: 2010 = 10, 2011 = 11 ... 2020 = 20, 2021 = 21 ...

Week: 01, 02, 03 ...

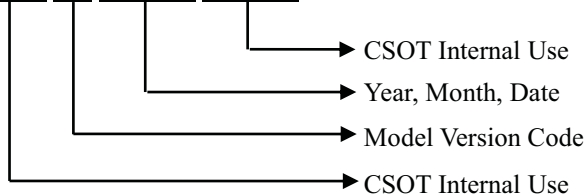
Serial Number: XXXXXXXXXXXX XXXXXXXX



### 9.2 Carton Label



Serial Number: XXXX XX XXXXX XXXXX



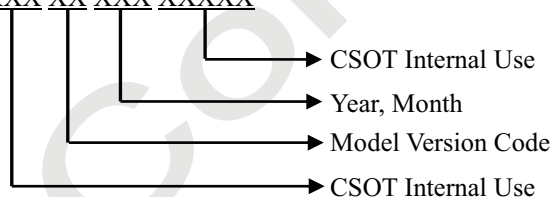
**Manufactured Date:**

Year: 2010 = 10, 2011 = 11...2020 = 20, 2021 = 21...

Month: 1~9, A~C, for Jan. ~ Dec.

Date: 01~31, for 1st to 31st

Model Version Code: Version of product, for example: 01, 02, 11, 12...

**9.3 Pallet Label**Serial Number: XXX XX XXX XXXXXX

## 10. Precautions

### 10.1 Assembly and Handling Precautions

- (1) Do not apply rough force such as bending or twisting to the module during assembly.
- (2) It is recommended to assemble or install a module into the user's system in clean working areas. The dust and oil may cause electrical short or damage the polarizer.
- (3) Do not apply pressure or impulse to the module to prevent the damage to LCD panel and backlight.
- (4) Always follow the correct power-on sequence. This can prevent the damage and latch-up to the LSI chips.
- (5) Do not plug in or pull out the interface connector while the module is in operation.
- (6) Do not disassemble the module.
- (7) Use soft dry cloth without chemicals for cleaning because the surface of polarizer is very soft and easily be scratched.
- (8) Moisture can easily penetrate into the LCD module and may cause the damage during operation.
- (9) High temperature or humidity may deteriorate the performance of the LCD module. Please store LCD modules in the specified storage conditions.
- (10) When ambient temperature is lower than 10 °C, the display quality might be deteriorated. For example, the response time will become slow, and the starting voltage of LED light bar will be higher than that in room temperature.

### 10.2 Safety Precautions

- (1) If the liquid crystal material leaks from the panel, it should be kept away from the eyes or mouth. In case of contact with hands, skin or clothes, it has to be washed away thoroughly with soap.
- (2) After the module's end of life, it is not harmful in case of normal operation and storage.