

SIO RLDRAM 2

MT49H16M18C – 16 Meg x 18 x 8 banks

Features

- 533 MHz DDR operation (1.067 Gb/s/pin data rate)
- 38.4 Gb/s peak bandwidth (x36 at 533 MHz clock frequency)
- Organization
 - 16 Meg x 18 separate I/O
 - 8 banks
- Cyclic bank switching for maximum bandwidth
- Reduced cycle time (15ns at 533 MHz)
- Nonmultiplexed addresses (address multiplexing option available)
- SRAM-type interface
- Programmable READ latency (RL), row cycle time, and burst sequence length
- Balanced READ and WRITE latencies in order to optimize data bus utilization
- Data mask for WRITE commands
- Differential input clocks (CK, CK#)
- Differential input data clocks (DKx, DKx#)
- On-die DLL generates CK edge-aligned data and output data clock signals
- Data valid signal (QVLD)
- 32ms refresh (8K refresh for each bank; 64K refresh command must be issued in total each 32ms)
- HSTL I/O (1.5V or 1.8V nominal)
- 25–60Ω matched impedance outputs
- 2.5V_{EXT}, 1.8V_{DD}, 1.5V or 1.8V_{DDQ} I/O
- On-die termination (ODT) R_{TT}

Options ¹

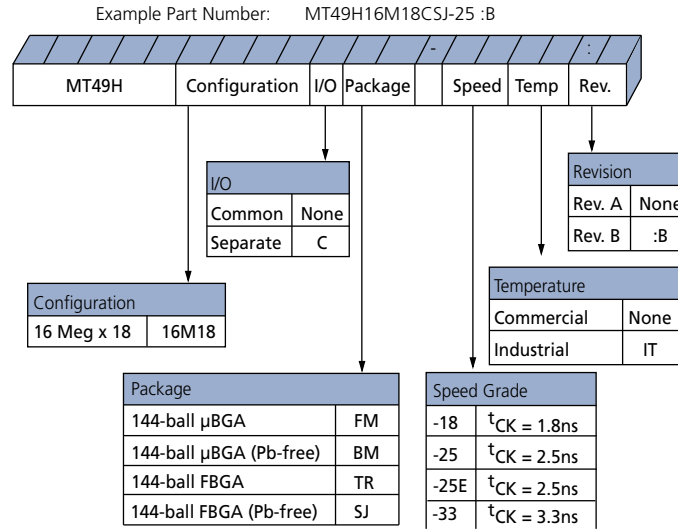
- | | |
|---|-------|
| • Clock cycle timing | |
| – 1.875ns @ ^t RC = 15ns | -18 |
| – 2.5ns @ ^t RC = 15ns | -25E |
| – 2.5ns @ ^t RC = 20ns | -25 |
| – 3.3ns @ ^t RC = 20ns | -33 |
| • Configuration | |
| – 16 Meg x 18 | 16M18 |
| • Operating temperature range | |
| – Commercial (0° to +95°C) | None |
| – Industrial (T _C = -40°C to +95°C; T _A = -40°C to +85°C) | IT |
| • Package | |
| – 144-ball μBGA | FM |
| – 144-ball μBGA (Pb-free) | BM |
| – 144-ball FBGA | TR |
| – 144-ball FBGA (Pb-free) | SJ |
| • Revision | :B |

Note: 1. Not all options listed can be combined to define an offered product. Use the part catalog search on micron.com for available offerings.

BGA Part Marking Decoder

Due to space limitations, BGA-packaged components have an abbreviated part marking that is different from the part number. Micron's BGA Part Marking Decoder is available on Micron's Web site at micron.com.

Figure 1: 288Mb RDRAM 2 SIO Part Numbers



Contents

General Description	7
Functional Block Diagrams	8
Ball Assignments and Descriptions	9
Package Dimensions	11
Electrical Specifications – I _{DD}	13
Absolute Maximum Ratings	16
AC and DC Operating Conditions	16
Input Slew Rate Derating	19
Temperature and Thermal Impedance	26
Commands	29
MODE REGISTER SET (MRS) Command	30
Configuration Tables	32
Burst Length (BL)	32
Address Multiplexing	34
DLL RESET	34
Drive Impedance Matching	34
On-Die Termination (ODT)	35
READ Command	36
WRITE Command	37
AUTO REFRESH (AREF) Command	38
INITIALIZATION Operation	39
WRITE Operations	42
READ Operations	46
AUTO REFRESH Operation	51
Operations with On-Die Termination	52
Multiplexed Address Mode	55
Command Description	55
Power-Up/Initialization Sequence	56
Mode Register	57
Address Mapping	58
Configuration Tables	58
REFRESH Command in Multiplexed Address Mode	59
IEEE 1149.1 Serial Boundary Scan Test Access Port	63
Disabling the Serial Boundary Scan Test Access Port	63
Test Access Port (TAP)	63
Test Clock (TCK)	63
Test Mode Select (TMS)	63
Test Data-In (TDI)	64
Test Data-Out (TDO)	64
TAP Controller	64
Test-Logic-Reset	64
Run-Test/Idle	64
Select-DR-Scan	64
Capture-DR	64
Shift-DR	64
Exit1-DR, Pause-DR, and Exit2-DR	65
Update-DR	65
Instruction Register States	65
TAP Reset	66
TAP Registers	66



Instruction Register	66
Bypass Register	66
Boundary Scan Register	67
Identification (ID) Register	67
TAP Instruction Set	68
EXTEST	68
IDCODE	68
SAMPLE/PRELOAD	68
CLAMP	69
High-Z	69
BYPASS	69
Reserved for Future Use	69

List of Figures

Figure 1: 288Mb RLD RAM 2 SIO Part Numbers	2
Figure 2: State Diagram	7
Figure 3: 16 Meg x 18 Functional Block Diagram	8
Figure 4: 144-Ball μ BGA	11
Figure 5: 144-Ball FBGA	12
Figure 6: Clock Input	18
Figure 7: Nominal $t_{AS}/t_{CS}/t_{DS}$ and $t_{AH}/t_{CH}/t_{DH}$ Slew Rate	22
Figure 8: Example Temperature Test Point Location	28
Figure 9: Mode Register Set	30
Figure 10: Mode Register Definition in Nonmultiplexed Address Mode	31
Figure 11: Read Burst Lengths	33
Figure 12: On-Die Termination-Equivalent Circuit	35
Figure 13: READ Command	36
Figure 14: WRITE Command	37
Figure 15: AUTO REFRESH Command	38
Figure 16: Power-Up/Initialization Sequence	40
Figure 17: Power-Up/Initialization Flow Chart	41
Figure 18: WRITE Burst	42
Figure 19: Consecutive WRITE-to-WRITE	43
Figure 20: WRITE-to-READ	44
Figure 21: WRITE – DM Operation	45
Figure 22: Basic READ Burst Timing	46
Figure 23: Consecutive READ Bursts (BL = 2)	47
Figure 24: Consecutive READ Bursts (BL = 4)	47
Figure 25: READ-to-WRITE	48
Figure 26: READ/WRITE Interleave	49
Figure 27: Read Data Valid Window for x18 Device	50
Figure 28: AUTO REFRESH Cycle	51
Figure 29: READ Burst with ODT	52
Figure 30: READ-NOP-READ with ODT	53
Figure 31: READ-to-WRITE with ODT	54
Figure 32: Command Description in Multiplexed Address Mode	55
Figure 33: Power-Up/Initialization Sequence in Multiplexed Address Mode	56
Figure 34: Mode Register Definition in Multiplexed Address Mode	57
Figure 35: Burst REFRESH Operation with Multiplexed Addressing	59
Figure 36: Consecutive WRITE Bursts with Multiplexed Addressing	59
Figure 37: WRITE-to-READ with Multiplexed Addressing	60
Figure 38: Consecutive READ Bursts with Multiplexed Addressing	61
Figure 39: READ-to-WRITE with Multiplexed Addressing	62
Figure 40: TAP Controller State Diagram	65
Figure 41: TAP Controller Block Diagram	65
Figure 42: JTAG Operation – Loading Instruction Code and Shifting Out Data	70
Figure 43: TAP Timing	70

List of Tables

Table 1: 16 Meg x 18 Ball Assignments (Top View) 144-Ball BGA	9
Table 2: Ball Descriptions	9
Table 3: I _{DD} Operating Conditions and Maximum Limits – Rev. A	13
Table 4: I _{DD} Operating Conditions and Maximum Limits – Rev. B	14
Table 5: Absolute Maximum Ratings	16
Table 6: DC Electrical Characteristics and Operating Conditions	16
Table 7: Input AC Logic Levels	17
Table 8: Differential Input Clock Operating Conditions	18
Table 9: Address and Command Setup and Hold Derating Values	19
Table 10: Data Setup and Hold Derating Values	21
Table 11: Capacitance – μ BGA	22
Table 12: Capacitance – FBGA	22
Table 13: AC Electrical Characteristics	23
Table 14: Temperature Limits	26
Table 15: Thermal Impedance	27
Table 16: Thermal Impedance	27
Table 17: Description of Commands	29
Table 18: Command Table	29
Table 19: Cycle Time and READ/WRITE Latency Configuration Table	32
Table 20: Address Widths at Different Burst Lengths	33
Table 21: On-Die Termination DC Parameters	35
Table 22: Address Mapping in Multiplexed Address Mode	58
Table 23: Cycle Time and READ/WRITE Latency Configuration Table in Multiplexed Mode	58
Table 24: Instruction Codes	68
Table 25: TAP Input AC Logic Levels	71
Table 26: TAP AC Electrical Characteristics	71
Table 27: TAP DC Electrical Characteristics and Operating Conditions	72
Table 28: Identification Register Definitions	72
Table 29: Scan Register Sizes	72
Table 30: Boundary Scan (Exit) Order	72

General Description

The Micron® reduced latency DRAM (RLDRAM®) 2 is a high-speed memory device designed for high bandwidth data storage—telecommunications, networking, and cache applications, etc. The chip’s 8-bank architecture is optimized for sustainable high-speed operation.

The DDR separate I/O interface transfers two data words per clock cycle at the I/O balls. The read port has dedicated data outputs to support READ operations, while the write port has dedicated input balls to support WRITE operations. Output data is referenced to the free-running output data clock. This architecture eliminates the need for high-speed bus turnaround.

Commands, addresses, and control signals are registered at every positive edge of the differential input clock, while input data is registered at both positive and negative edges of the input data clock(s).

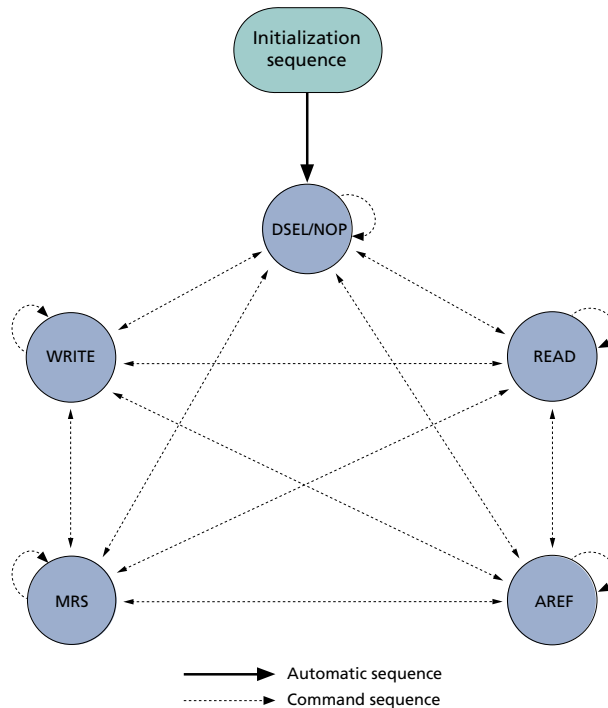
Read and write accesses to the device are burst-oriented. The burst length (BL) is programmable from 2, 4, or 8 by setting the mode register.

The device is supplied with 2.5V and 1.8V for the core and 1.5V or 1.8V for the output drivers.

Bank-scheduled refresh is supported with the row address generated internally.

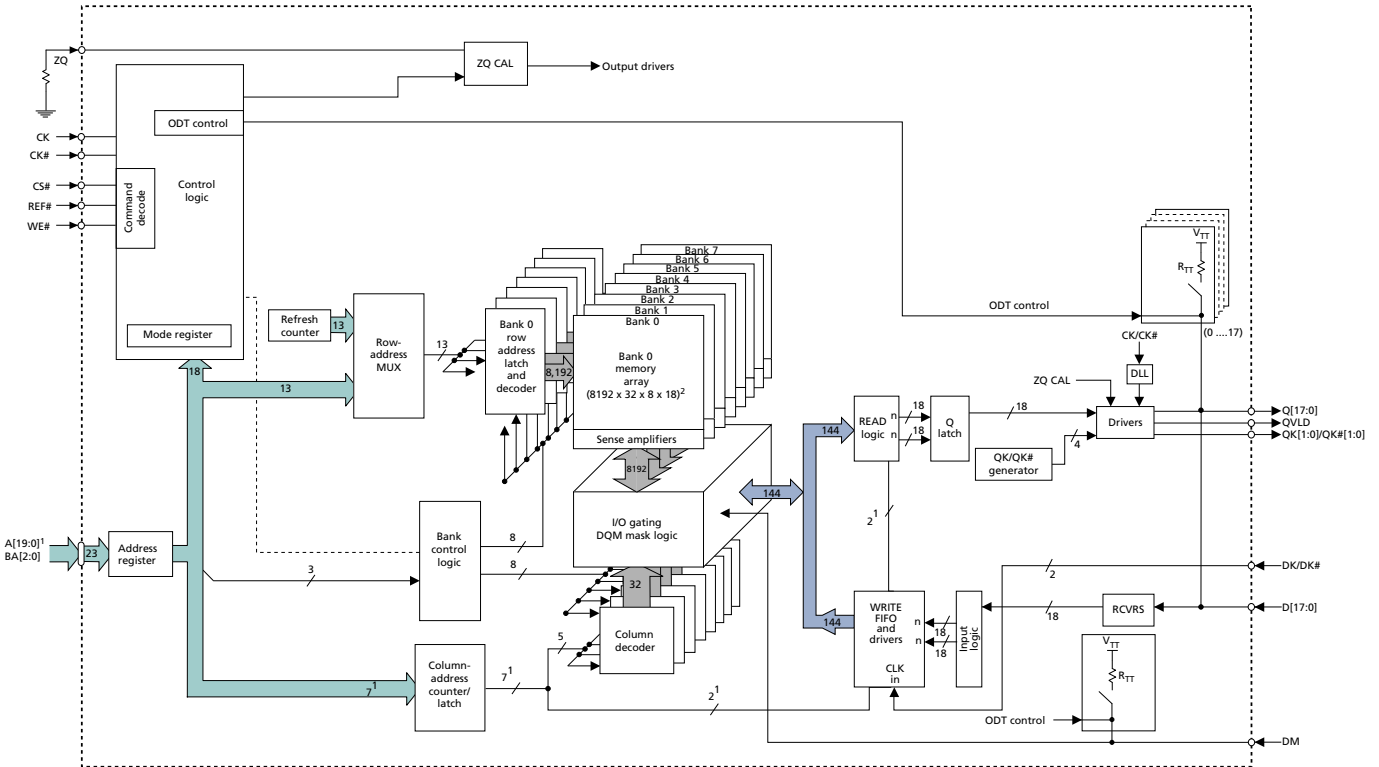
The µBGA 144-ball package is used to enable ultra high-speed data transfer rates and a simple upgrade path from early generation devices.

Figure 2: State Diagram



Functional Block Diagrams

Figure 3: 16 Meg x 18 Functional Block Diagram



- Notes:
1. Examples for BL = 2; column address will be reduced with an increase in burst length.
 2. The "8" = (length of burst) x 2^(number of column addresses to WRITE FIFO and READ logic).

Ball Assignments and Descriptions

Table 1: 16 Meg x 18 Ball Assignments (Top View) 144-Ball BGA

	1	2	3	4	5	6	7	8	9	10	11	12
A	V _{REF}	V _{SS}	V _{EXT}	V _{SS}					V _{SS}	V _{EXT}	TMS	TCK
B	V _{DD}	D4	Q4	V _{SSQ}					V _{SSQ}	Q0	D0	V _{DD}
C	V _{TT}	D5	Q5	V _{DDQ}					V _{DDQ}	Q1	D1	V _{TT}
D	A22 ¹	D6	Q6	V _{SSQ}					V _{SSQ}	QK0#	QK0	V _{SS}
E	A21 ²	D7	Q7	V _{DDQ}					V _{DDQ}	Q2	D2	A20 ²
F	A5	D8	Q8	V _{SSQ}					V _{SSQ}	Q3	D3	QVLD
G	A8	A6	A7	V _{DD}					V _{DD}	A2	A1	A0
H	BA2	A9	V _{SS}	V _{SS}					V _{SS}	V _{SS}	A4	A3
J	NF ³	NF ³	V _{DD}	V _{DD}					V _{DD}	V _{DD}	BA0	CK
K	DK	DK#	V _{DD}	V _{DD}					V _{DD}	V _{DD}	BA1	CK#
L	REF#	CS#	V _{SS}	V _{SS}					V _{SS}	V _{SS}	A14	A13
M	WE#	A16	A17	V _{DD}					V _{DD}	A12	A11	A10
N	A18	D14	Q14	V _{SSQ}					V _{SSQ}	Q9	D9	A19
P	A15	D15	Q15	V _{DDQ}					V _{DDQ}	Q10	D10	DM
R	V _{SS}	QK1	QK1#	V _{SSQ}					V _{SSQ}	Q11	D11	V _{SS}
T	V _{TT}	D16	Q16	V _{DDQ}					V _{DDQ}	Q12	D12	V _{TT}
U	V _{DD}	D17	Q17	V _{SSQ}					V _{SSQ}	Q13	D13	V _{DD}
V	V _{REF}	ZQ	V _{EXT}	V _{SS}					V _{SS}	V _{EXT}	TDO	TDI

- Notes:
1. Reserved for future use. This may be optionally connected to GND.
 2. Reserved for future use. This signal is internally connected and has parasitic characteristics of an address input signal. This may be optionally connected to GND.
 3. No function. This signal is internally connected and has parasitic characteristics of a clock input signal. This may be optionally connected to GND.

Table 2: Ball Descriptions

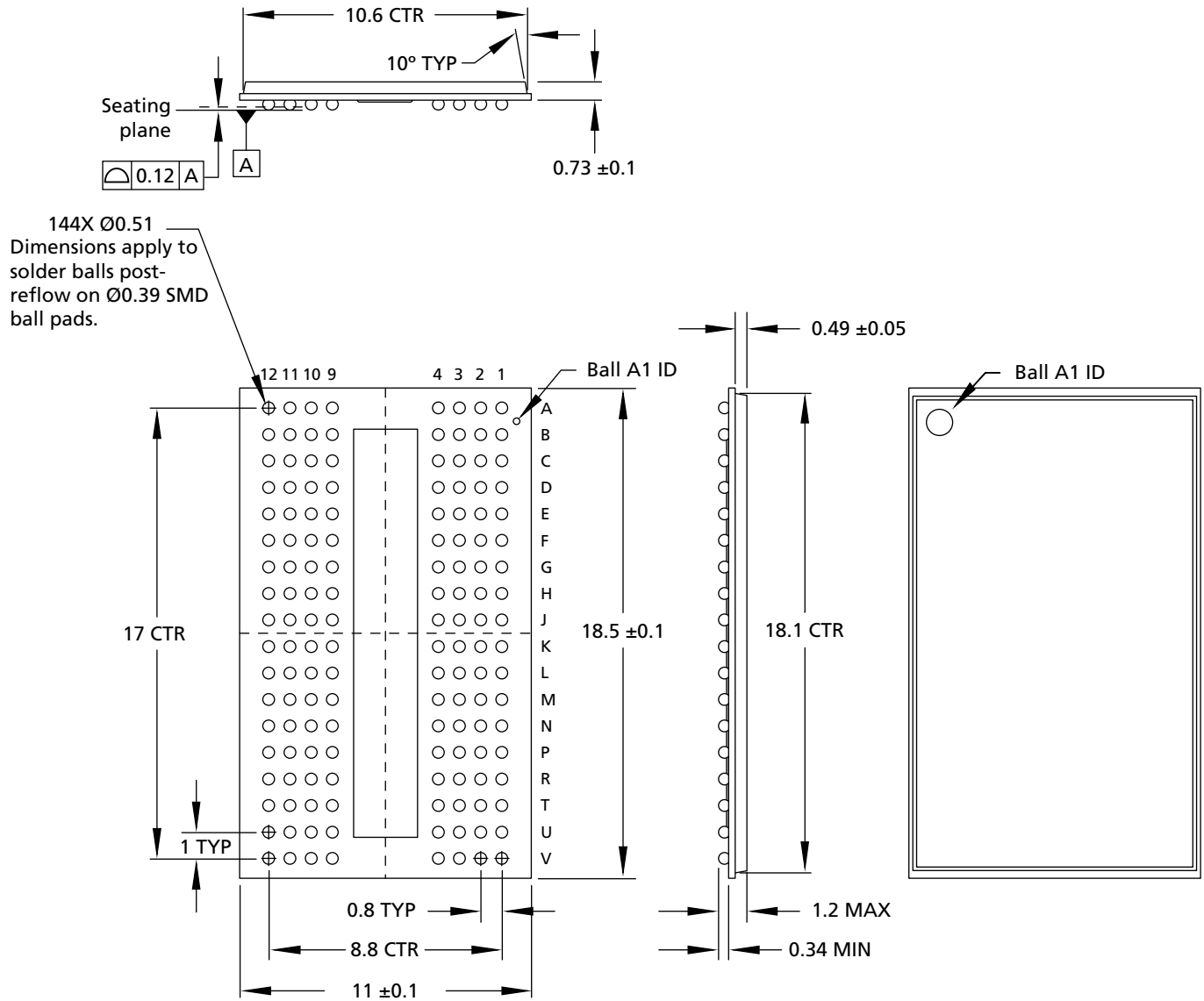
Symbol	Type	Description
A0–A19	Input	Address inputs: A0–A19 define the row and column addresses for READ and WRITE operations. During a MODE REGISTER SET, the address inputs define the register settings. They are sampled at the rising edge of CK.
BA0–BA2	Input	Bank address inputs: Select to which internal bank a command is being applied.
CK, CK#	Input	Input clock: CK and CK# are differential input clocks. Addresses and commands are latched on the rising edge of CK. CK# is ideally 180 degrees out of phase with CK.
CS#	Input	Chip select: CS# enables the command decoder when LOW and disables it when HIGH. When the command decoder is disabled, new commands are ignored, but internal operations continue.
D0–D17	Input	Data input: The D signals form the 18-bit input data bus. During WRITE commands, the data is sampled at both edges of DK.

Table 2: Ball Descriptions (Continued)

Symbol	Type	Description
DK, DK#	Input	Input data clock: DK and DK# are the differential input data clocks. All input data is referenced to both edges of DK. DK# is ideally 180 degrees out of phase with DK. D0–D17 are referenced to DK and DK#.
DM	Input	Input data mask: The DM signal is the input mask signal for WRITE data. Input data is masked when DM is sampled HIGH. DM is sampled on both edges of DK. Tie signal to ground if not used.
TCK	Input	IEEE 1149.1 clock input: This ball must be tied to V_{SS} if the JTAG function is not used.
TMS, TDI	Input	IEEE 1149.1 test inputs: These balls may be left as no connects if the JTAG function is not used.
WE#, REF#	Input	Command inputs: Sampled at the positive edge of CK, WE# and REF# define (together with CS#) the command to be executed.
Q0–Q17	Output	Data output: The Q signals form the 18-bit output data bus. During READ commands, the data is referenced to both edges of QK.
QKx, QKx#	Output	Output data clocks: QKx and QKx# are opposite polarity, output data clocks. They are free-running, and during READs are edge-aligned with data output from the device. QKx# is ideally 180 degrees out of phase with QKx. QK0 and QK0# are aligned with Q0–Q8 and QK1 and QK1# are aligned with Q9–Q17.
QVLD	Output	Data valid: The QVLD pin indicates valid output data. QVLD is edge-aligned with QKx and QKx#.
TDO	Output	IEEE 1149.1 test output: JTAG output. This ball may be left as no connect if the JTAG function is not used.
ZQ	Reference	External impedance (25–60Ω): This signal is used to tune the device outputs to the system data bus impedance. Q output impedance is set to $0.2 \times RQ$, where RQ is a resistor from this signal to ground. Connecting ZQ to GND invokes the minimum impedance mode. Connecting ZQ to V_{DD} invokes the maximum impedance mode. Refer to figure: Mode Register Definition in Nonmultiplexed Address Mode to activate this function.
V_{DD}	Supply	Power supply: Nominally 1.8V. For range, see table: DC Electrical Characteristics and Operating Conditions.
V_{DDQ}	Supply	DQ power supply: Nominally, 1.5V or 1.8V. Isolated on the device for improved noise immunity. For range, see table: DC Electrical Characteristics and Operating Conditions.
V_{EXT}	Supply	Power supply: Nominally, 2.5V. For range, see table: DC Electrical Characteristics and Operating Conditions.
V_{REF}	Supply	Input reference voltage: Nominally $V_{DDQ}/2$. Provides a reference voltage for the input buffers.
V_{SS}	Supply	Ground.
V_{SSQ}	Supply	DQ ground: Isolated on the device for improved noise immunity.
V_{TT}	Supply	Power supply: Isolated termination supply. Nominally, $V_{DDQ}/2$. For range, see table: DC Electrical Characteristics and Operating Conditions.
A20–A21	–	Reserved for future use: These signals are internally connected and can be treated as address inputs.
A22	–	Reserved for future use: This signal is not connected and can be connected to ground.
NF	–	No function: These balls can be connected to ground.

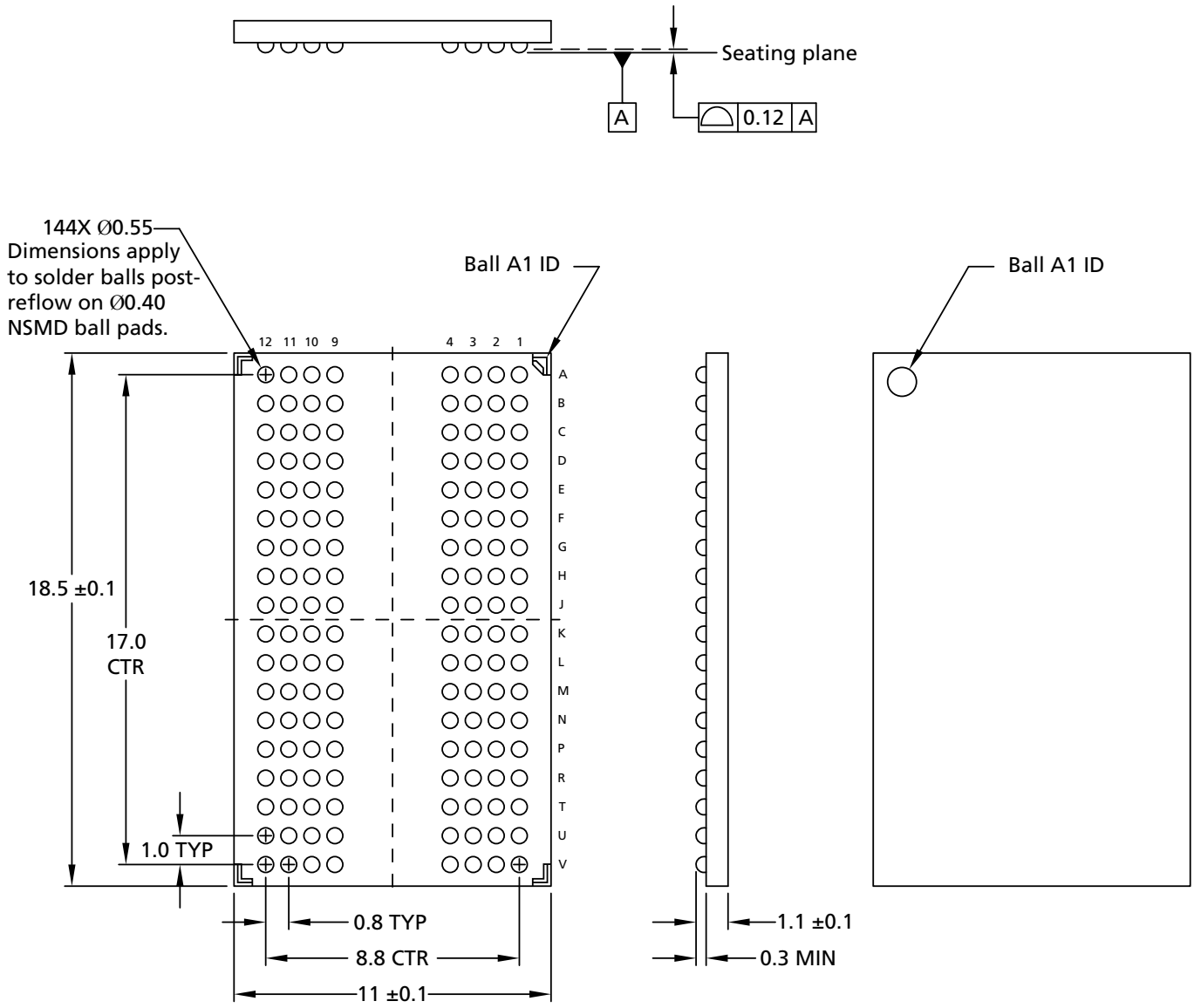
Package Dimensions

Figure 4: 144-Ball μ BGA



- Notes:
1. All dimensions are in millimeters.
 2. Solder Ball Material:
SAC305 (96.5% Sn, 3% Ag, 0.5% Cu) or
Eutectic (62% Sn, 36% Pb, 2% Ag)

Figure 5: 144-Ball FBGA



- Notes: 1. All dimensions are in millimeters.
2. Solder ball material: SAC302 (96.8% Sn, 3% Ag, 0.2% Cu).

Electrical Specifications – I_{DD}

Table 3: I_{DD} Operating Conditions and Maximum Limits – Rev. A

Description	Conditions	Symbol	-25	-33	-5	Unit
Standby current	^t CK = Idle; All banks idle; No inputs toggling	I _{SB1} (V _{DD})	48	48	48	mA
		I _{SB1} (V _{EXT})	26	26	26	
Active standby current	^t CK = MIN, CS# = 1; No commands; Bank address incremented and half address/data change once every 4 clock cycles	I _{SB2} (V _{DD})	288	233	189	mA
		I _{SB2} (V _{EXT})	26	26	26	
Operational current	BL = 2; ^t CK = MIN; ^t RC = MIN; 1 bank active; Half address changes once per ^t RC; Read followed by write sequence	I _{DD1} (V _{DD})	348	305	255	mA
		I _{DD1} (V _{EXT})	41	36	36	
Operational current	BL = 4; ^t CK = MIN; ^t RC = MIN; 1 bank active; Half address changes once per ^t RC; Read followed by write sequence	I _{DD2} (V _{DD})	362	319	269	mA
		I _{DD2} (V _{EXT})	48	42	42	
Operational current	BL = 8; ^t CK = MIN; ^t RC = MIN; 1 bank active; Half address changes once per ^t RC; Read followed by write sequence	I _{DD3} (V _{DD})	408	368	286	mA
		I _{DD3} (V _{EXT})	55	48	48	
Burst refresh current	^t CK = MIN; ^t RC = MIN; Cyclic bank refresh; Data inputs are switching	I _{REF1} (V _{DD})	785	615	430	mA
		I _{REF1} (V _{EXT})	133	111	105	
Distributed refresh current	^t CK = MIN; ^t RC = MIN; Single bank refresh; Half address/data toggle	I _{REF2} (V _{DD})	325	267	221	mA
		I _{REF2} (V _{EXT})	48	42	42	
Operating burst write current example	BL = 2; ^t CK = MIN; ^t RC = MIN; Cyclic bank access; Half of address bits change every clock cycle; Continuous data	I _{DD2W} (V _{DD})	970	819	597	mA
		I _{DD2W} (V _{EXT})	100	90	69	
Operating burst write current example	BL = 4; ^t CK = MIN; ^t RC = MIN; Cyclic bank access; Half of address bits change every 2 clock cycles; Continuous data	I _{DD4W} (V _{DD})	779	609	439	mA
		I _{DD4W} (V _{EXT})	88	77	63	
Operating burst write current example	BL = 8; ^t CK = MIN; ^t RC = MIN; Cyclic bank access; Half of address bits change every 4 clock cycles; Continuous data	I _{DD8W} (V _{DD})	668	525	364	mA
		I _{DD8W} (V _{EXT})	60	51	40	
Operating burst read current example	BL = 2; Cyclic bank access; Half of address bits change every clock cycle; Measurement is taken during continuous READ	I _{DD2R} (V _{DD}) x18	860	735	525	mA
		I _{DD2R} (V _{EXT})	100	90	69	
Operating burst read current example	BL = 4; Cyclic bank access; Half of address bits change every 2 clocks; Measurement is taken during continuous READ	I _{DD4R} (V _{DD}) x18	680	525	380	mA
		I _{DD4R} (V _{EXT})	88	77	63	
Operating burst read current example	BL = 8; Cyclic bank access; Half of address bits change every 4 clock cycles; Measurement is taken during continuous READ	I _{DD8R} (V _{DD}) x18	570	450	310	mA
		I _{DD8R} (V _{EXT})	60	51	40	

Table 4: I_{DD} Operating Conditions and Maximum Limits – Rev. B

Description	Conditions	Symbol	-18	-25E	-25	-33	Unit
Standby current	t _{CK} = Idle; All banks idle; No inputs toggling	I _{SB1} (V _{DD})	55	55	55	55	mA
		I _{SB1} (V _{EXT})	5	5	5	5	
Active standby current	t _{CK} = MIN, CS# = 1; No commands; Bank address incremented and half address/data change once every 4 clock cycles	I _{SB2} (V _{DD})	250	215	215	190	mA
		I _{SB2} (V _{EXT})	5	5	5	5	
Operational current	BL = 2; t _{CK} = MIN; t _{RC} = MIN; 1 bank active; Half address changes once per t _{RC} ; Read followed by write sequence	I _{DD1} (V _{DD})	310	285	260	225	mA
		I _{DD1} (V _{EXT})	10	10	10	10	
Operational current	BL = 4; t _{CK} = MIN; t _{RC} = MIN; 1 bank active; Half address changes once per t _{RC} ; Read followed by write sequence	I _{DD2} (V _{DD})	315	290	260	220	mA
		I _{DD2} (V _{EXT})	10	10	10	10	
Operational current	BL = 8; t _{CK} = MIN; t _{RC} = MIN; 1 bank active; Half address changes once per t _{RC} ; Read followed by write sequence	I _{DD3} (V _{DD})	330	305	275	230	mA
		I _{DD3} (V _{EXT})	15	15	15	15	
Burst refresh current	t _{CK} = MIN; t _{RC} = MIN; Cyclic bank refresh; Data inputs are switching	I _{REF1} (V _{DD})	660	540	530	430	mA
		I _{REF1} (V _{EXT})	45	30	30	25	
Distributed refresh current	t _{CK} = MIN; t _{RC} = MIN; Single bank refresh; Half address/data toggle	I _{REF2} (V _{DD})	295	265	250	215	mA
		I _{REF2} (V _{EXT})	10	10	10	10	
Operating burst write current example	BL = 2; t _{CK} = MIN; t _{RC} = MIN; Cyclic bank access; Half of address bits change every clock cycle; Continuous data	I _{DD2W} (V _{DD})	830	655	655	530	mA
		I _{DD2W} (V _{EXT})	40	35	35	30	
Operating burst write current example	BL = 4; t _{CK} = MIN; t _{RC} = MIN; Cyclic bank access; Half of address bits change every 2 clock cycles; Continuous data	I _{DD4W} (V _{DD})	580	465	465	385	mA
		I _{DD4W} (V _{EXT})	25	20	20	20	
Operating burst write current example	BL = 8; t _{CK} = MIN; t _{RC} = MIN; Cyclic bank access; Half of address bits change every 4 clock cycles; Continuous data	I _{DD8W} (V _{DD})	445	370	370	305	mA
		I _{DD8W} (V _{EXT})	25	20	20	20	
Operating burst read current example	BL = 2; Cyclic bank access; Half of address bits change every clock cycle; Measurement is taken during continuous READ	I _{DD2R} (V _{DD}) x18	805	640	640	515	mA
		I _{DD2R} (V _{EXT})	40	35	35	30	
Operating burst read current example	BL = 4; Cyclic bank access; Half of address bits change every 2 clocks; Measurement is taken during continuous READ	I _{DD4R} (V _{DD}) x18	545	440	440	365	mA
		I _{DD4R} (V _{EXT})	25	20	20	20	
Operating burst read current example	BL = 8; Cyclic bank access; Half of address bits change every 4 clock cycles; Measurement is taken during continuous READ	I _{DD8R} (V _{DD}) x18	410	335	335	280	mA
		I _{DD8R} (V _{EXT})	25	20	20	20	

- Notes:
- I_{DD} specifications are tested after the device is properly initialized. +0°C ≤ T_c ≤ +95°C; +1.7V ≤ V_{DD} ≤ +1.9V, +2.38V ≤ V_{EXT} ≤ +2.63V, +1.4V ≤ V_{DDQ} ≤ V_{DD}, V_{REF} = V_{DDQ}/2.
 - t_{CK} = t_{DK} = MIN; t_{RC} = MIN.
 - Input slew rate is specified in the Input AC Logic Levels table.
 - Definitions for I_{DD} conditions:
 - LOW is defined as V_{IN} ≤ V_{IL(AC)} MAX.

- 4b. HIGH is defined as $V_{IN} \geq V_{IH(AC)} \text{ MAX.}$
- 4c. Stable is defined as inputs remaining at a HIGH or LOW level.
- 4d. Floating is defined as inputs at $V_{REF} = V_{DDQ}/2.$
- 4e. Continuous is defined as half the D or Q signals changing between HIGH and LOW every half clock cycle (twice per clock).
- 4f. Continuous address is defined as half the address signals changing between HIGH and LOW every clock cycle (once per clock).
- 4g. Sequential bank access is defined as the bank address incrementing by one every $t_{RC}.$
- 4h. Cyclic bank access is defined as the bank address incrementing by one for each command access. For $BL = 2,$ this is every clock; for $BL = 4,$ this is every other clock; and for $BL = 8,$ this is every fourth clock.
- 5. CS# is HIGH unless a READ, WRITE, AREF, or MRS command is registered. CS# never transitions more than once per clock cycle.
- 6. I_{DD} parameters are specified with ODT disabled.
- 7. Tests for AC timing, I_{DD}, and electrical AC and DC characteristics may be conducted at nominal reference/supply voltage levels, but the related specifications and device operations are tested for the full voltage range specified.
- 8. IDD tests may use a V_{IL} -to- V_{IH} swing of up to 1.5V in the test environment, but input timing is still referenced to V_{REF} (or to the crossing point for CK/CK#). Parameter specifications are tested for the specified AC input levels under normal use conditions. The minimum slew rate for the input signals used to test the device is 2 V/ns in the range between $V_{IL(AC)}$ and $V_{IH(AC)}.$

Absolute Maximum Ratings

Stresses greater than those listed may cause permanent damage to the device. This is a stress rating only, and functional operation of the device at these or any other conditions outside those indicated in the operational sections of this specification is not implied. Exposure to absolute maximum rating conditions for extended periods may affect reliability.

Table 5: Absolute Maximum Ratings

Parameter	Min	Max	Units
I/O voltage	-0.3	$V_{DDQ} + 0.3$	V
Voltage on V_{EXT} supply relative to V_{SS}	-0.3	+2.8	V
Voltage on V_{DD} supply relative to V_{SS}	-0.3	+2.1	V
Voltage on V_{DDQ} supply relative to V_{SS}	-0.3	+2.1	V

AC and DC Operating Conditions

Table 6: DC Electrical Characteristics and Operating Conditions

Description	Conditions	Symbol	Min	Max	Units	Notes
Supply voltage	-	V_{EXT}	2.38	2.63	V	
Supply voltage	-	V_{DD}	1.7	1.9	V	2
Isolated output buffer supply	-	V_{DDQ}	1.4	V_{DD}	V	2, 3
Reference voltage	-	V_{REF}	$0.49 \times V_{DDQ}$	$0.51 \times V_{DDQ}$	V	4, 5, 6
Termination voltage	-	V_{TT}	$0.95 \times V_{REF}$	$1.05 \times V_{REF}$	V	7, 8
Input high (logic 1) voltage	-	V_{IH}	$V_{REF} + 0.1$	$V_{DDQ} + 0.3$	V	2
Input low (logic 0) voltage	-	V_{IL}	$V_{SSQ} - 0.3$	$V_{REF} - 0.1$	V	2
Output high current	$V_{OH} = V_{DDQ}/2$	I_{OH}	$(V_{DDQ}/2)/$ $(1.15 \times RQ/5)$	$(V_{DDQ}/2)/$ $(0.85 \times RQ/5)$	A	9, 10, 11
Output low current	$V_{OL} = V_{DDQ}/2$	I_{OL}	$(V_{DDQ}/2)/$ $(1.15 \times RQ/5)$	$(V_{DDQ}/2)/$ $(0.85 \times RQ/5)$	A	9, 10, 11
Clock input leakage current	$0V \leq V_{IN} \leq V_{DD}$	I_{LC}	-5	5	μA	
Input leakage current	$0V \leq V_{IN} \leq V_{DD}$	I_{LI}	-5	5	μA	
Output leakage current	$0V \leq V_{IN} \leq V_{DDQ}$	I_{LO}	-5	5	μA	
Reference voltage current	-	I_{REF}	-5	5	μA	

- Notes:
1. Applies to the entire table: Unless otherwise noted: $+0^{\circ}C \leq T_C \leq +95^{\circ}C$; $+1.7V \leq V_{DD} \leq +1.9V$
 2. All voltages referenced to V_{SS} (GND).
 3. Overshoot: $V_{IH(AC)} \leq V_{DD} + 0.7V$ for $t \leq t^{CK}/2$. Undershoot: $V_{IL(AC)} \geq -0.5V$ for $t \leq t^{CK}/2$. During normal operation, V_{DDQ} must not exceed V_{DD} . Control input signals may not have pulse widths less than $t^{CK}/2$ or operate at frequencies exceeding t^{CK} (MAX).
 4. V_{DDQ} can be set to a nominal $1.5V \pm 0.1V$ or $1.8V \pm 0.1V$ supply.
 5. Typically the value of V_{REF} is expected to be $0.5 \times V_{DDQ}$ of the transmitting device. V_{REF} is expected to track variations in V_{DDQ} .
 6. Peak-to-peak AC noise on V_{REF} must not exceed $\pm 2\% V_{REF(DC)}$.

7. V_{REF} is expected to equal $V_{DDQ}/2$ of the transmitting device and to track variations in the DC level of the same. Peak-to-peak noise (non-common mode) on V_{REF} may not exceed $\pm 2\%$ of the DC value. Thus, from $V_{DDQ}/2$, V_{REF} is allowed $\pm 2\% V_{DDQ}/2$ for DC error and an additional $\pm 2\% V_{DDQ}/2$ for AC noise. This measurement is to be taken at the nearest V_{REF} bypass capacitor.
8. V_{TT} is expected to be set equal to V_{REF} and must track variations in the DC level of V_{REF} .
9. On-die termination may be selected using mode register bit 9 (see figure: Mode Register Definition in Nonmultiplexed Address Mode). A resistance R_{TT} from each data input signal to the nearest V_{TT} can be enabled. $R_{TT} = 125\text{--}185\Omega$ at $95^\circ\text{C } T_C$.
10. I_{OH} and I_{OL} are defined as absolute values and are measured at $V_{DDQ}/2$. I_{OH} flows from the device, I_{OL} flows into the device.
11. If MRS bit A8 is 0, use $R_Q = 250\Omega$ in the equation in lieu of presence of an external impedance matched resistor.
12. For V_{OL} and V_{OH} , refer to the RLD RAM 2, HSPICE, or IBIS driver models.

Table 7: Input AC Logic Levels

Description	Symbol	Min	Max	Units
Input high (logic 1) voltage	V_{IH}	$V_{REF} + 0.2$	–	V
Input low (logic 0) voltage	V_{IL}	–	$V_{REF} - 0.2$	V

- Notes:
1. Unless otherwise noted: $+0^\circ\text{C} \leq T_C \leq +95^\circ\text{C}$; $+1.7\text{V} \leq V_{DD} \leq +1.9\text{V}$
 2. All voltages referenced to V_{SS} (GND).
 3. The AC and DC input level specifications are as defined in the HSTL standard (that is, the receiver will effectively switch as a result of the signal crossing the AC input level, and will remain in that state as long as the signal does not ring back above [below] the DC input LOW [HIGH] level).
 4. The minimum slew rate for the input signals used to test the device is 2 V/ns in the range between $V_{iL(AC)}$ and $V_{iH(AC)}$ (see figure below).

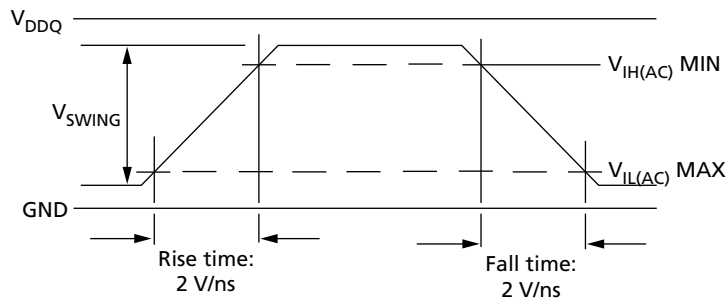


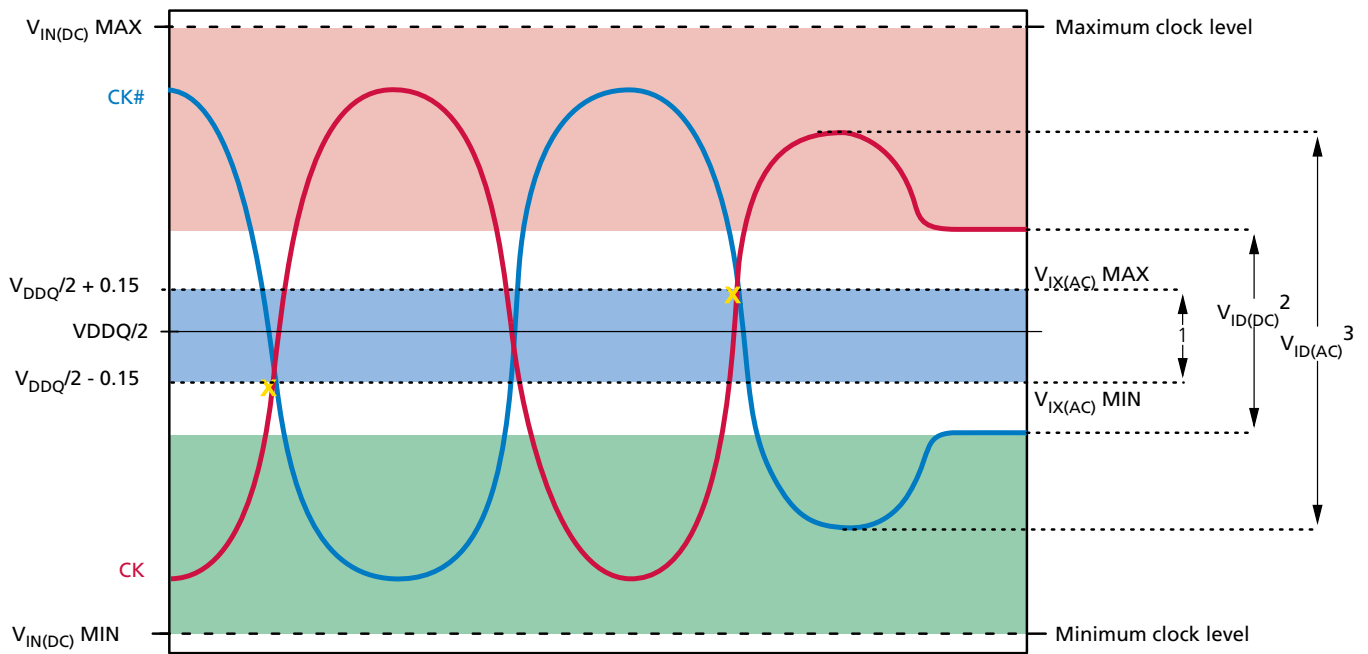
Table 8: Differential Input Clock Operating Conditions

Notes 1–5 apply to the entire table.

Parameter/Condition	Symbol	Min	Max	Units	Notes
Clock input voltage level: CK and CK#	$V_{IN(DC)}$	-0.3	$V_{DDQ} + 0.3$	V	
Clock input differential voltage: CK and CK#	$V_{ID(DC)}$	0.2	$V_{DDQ} + 0.6$	V	5
Clock input differential voltage: CK and CK#	$V_{ID(AC)}$	0.4	$V_{DDQ} + 0.6$	V	5
Clock input crossing point voltage: CK and CK#	$V_{IX(AC)}$	$V_{DDQ}/2 - 0.15$	$V_{DDQ}/2 + 0.15$	V	6

- Notes:
1. Unless otherwise noted: $+0^{\circ}\text{C} \leq T_C \leq +95^{\circ}\text{C}$; $+1.7\text{V} \leq V_{DD} \leq +1.9\text{V}$
 2. DKx and DKx# have the same requirements as CK and CK#.
 3. All voltages referenced to V_{SS} (GND).
 4. The CK/CK# input reference level (for timing referenced to CK/CK#) is the point at which CK and CK# cross. The input reference level for signals other than CK/CK# is V_{REF} .
 5. CK and CK# input slew rate must be ≥ 2 V/ns (≥ 4 V/ns if measured differentially).
 6. V_{ID} is the magnitude of the difference between the input level on CK and the input level on CK#.
 7. The value of V_{IX} is expected to equal $V_{DDQ}/2$ of the transmitting device and must track variations in the DC level of the same.

Figure 6: Clock Input



- Notes:
1. CK and CK# must cross within this region.
 2. CK and CK# must meet at least $V_{ID(DC)}$ MIN when static and centered around $V_{DDQ}/2$.
 3. Minimum peak-to-peak swing.
 4. It is a violation to tri-state CK and CK# after the part is initialized.

Input Slew Rate Derating

The following two tables define the address, command, and data setup and hold derating values. These values are added to the default $t_{AS}/t_{CS}/t_{DS}$ and $t_{AH}/t_{CH}/t_{DH}$ specifications when the slew rate of any of these input signals is less than the 2 V/ns the nominal setup and hold specifications are based upon.

To determine the setup and hold time needed for a given slew rate, add the t_{AS}/t_{CS} default specification to the “ $t_{AS}/t_{CS} V_{REF}$ to CK/CK# Crossing” and the t_{AH}/t_{CH} default specification to the “ t_{AH}/t_{CH} CK/CK# Crossing to V_{REF} ” derated values on the Address and Command Setup and Hold Derating Values table. The derated data setup and hold values can be determined in a like manner using the “ $t_{DS} V_{REF}$ to CK/CK# Crossing” and “ t_{DH} to CK/CK# Crossing to V_{REF} ” values on the Data Setup and Hold Derating Values table. The derating values on the Address and Command Setup and Hold Derating Values table and the Data Setup and Hold Derating Values table apply to all speed grades.

The setup times on the Address and Command Setup and Hold Derating Values table and the Data Setup and Hold Derating Values table represent a rising signal. In this case, the time from which the rising signal crosses $V_{IH(AC)}$ min to the CK/CK# cross point is static and must be maintained across all slew rates. The derated setup timing represents the point at which the rising signal crosses $V_{REF(DC)}$ to the CK/CK# cross point. This derated value is calculated by determining the time needed to maintain the given slew rate and the delta between $V_{IH(AC)}$ MIN and the CK/CK# cross point. The setup values in the Address and Command Setup and Hold Derating Values table and the Data Setup and Hold Derating Values table are also valid for falling signals (with respect to $V_{IH(AC)}$ max and the CK/CK# cross point).

The hold times in the Address and Command Setup and Hold Derating Values table and the Data Setup and Hold Derating Values table represent falling signals. In this case, the time from which the falling signal crosses the CK/CK# cross point to when the signal crosses $V_{IH(DC)}$ MIN is static and must be maintained across all slew rates. The derated hold timing represents the delta between the CK/CK# cross point to when the falling signal crosses $V_{REF(DC)}$. This derated value is calculated by determining the time needed to maintain the given slew rate and the delta between the CK/CK# cross point and $V_{IH(DC)}$. The hold values in the Address and Command Setup and Hold Derating Values table and the Data Setup and Hold Derating Values table are also valid for rising signals (with respect to $V_{IL(DC)}$ max and the CK and CK# cross point).

Table 9: Address and Command Setup and Hold Derating Values

Command/ Address Slew Rate (V/ns)	$t_{AS}/t_{CS} V_{REF}$ to CK/CK# Crossing	$t_{AS}/t_{CS} V_{IH(AC)}$ Min to CK/CK# Cross- ing	t_{AH}/t_{CH} CK/CK# Crossing to V_{REF}	t_{AH}/t_{CH} CK/CK# Crossing to $V_{IH(DC)}$ Min	Units
CK, CK# Differential Slew Rate: 2.0 V/ns					
2.0	0	-100	0	-50	ps
1.9	5	-100	3	-50	ps
1.8	11	-100	6	-50	ps
1.7	18	-100	9	-50	ps
1.6	25	-100	13	-50	ps
1.5	33	-100	17	-50	ps

Table 9: Address and Command Setup and Hold Derating Values (Continued)

Command/ Address Slew Rate (V/ns)	t_{AS}/t_{CS} V_{REF} to CK/CK# Crossing	t_{AS}/t_{CS} $V_{IH(AC)}$ Min to CK/CK# Cross- ing	t_{AH}/t_{CH} CK/CK# Crossing to V_{REF}	t_{AH}/t_{CH} CK/CK# Crossing to $V_{IH(DC)}$ Min	Units
1.4	43	-100	22	-50	ps
1.3	54	-100	27	-50	ps
1.2	67	-100	34	-50	ps
1.1	82	-100	41	-50	ps
1.0	100	-100	50	-50	ps
CK, CK# Differential Slew Rate: 1.5 V/ns					
2.0	30	-70	30	-20	ps
1.9	35	-70	33	-20	ps
1.8	41	-70	36	-20	ps
1.7	48	-70	39	-20	ps
1.6	55	-70	43	-20	ps
1.5	63	-70	47	-20	ps
1.4	73	-70	52	-20	ps
1.3	84	-70	57	-20	ps
1.2	97	-70	64	-20	ps
1.1	112	-70	71	-20	ps
1.0	130	-70	80	-20	ps
CK, CK# Differential Slew Rate: 1.0 V/ns					
2.0	60	-40	60	10	ps
1.9	65	-40	63	10	ps
1.8	71	-40	66	10	ps
1.7	78	-40	69	10	ps
1.6	85	-40	73	10	ps
1.5	93	-40	77	10	ps
1.4	103	-40	82	10	ps
1.3	114	-40	87	10	ps
1.2	127	-40	94	10	ps
1.1	142	-40	101	10	ps
1.0	160	-40	110	10	ps

Table 10: Data Setup and Hold Derating Values

Data Slew Rate (V/ns)	$t_{DS} V_{REF}$ to CK/CK# Crossing	$t_{DS} V_{IH(AC)}$ Min to CK/CK# Crossing	t_{DH} CK/CK# Crossing to V_{REF}	t_{DH} CK/CK# Crossing to $V_{IH(DC)}$ Min	Units
DK, DK# Differential Slew Rate: 2.0 V/ns					
2.0	0	-100	0	-50	ps
1.9	5	-100	3	-50	ps
1.8	11	-100	6	-50	ps
1.7	18	-100	9	-50	ps
1.6	25	-100	13	-50	ps
1.5	33	-100	17	-50	ps
1.4	43	-100	22	-50	ps
1.3	54	-100	27	-50	ps
1.2	67	-100	34	-50	ps
1.1	82	-100	41	-50	ps
1.0	100	-100	50	-50	ps
DK, DK# Differential Slew Rate: 1.5 V/ns					
2.0	30	-70	30	-20	ps
1.9	35	-70	33	-20	ps
1.8	41	-70	36	-20	ps
1.7	48	-70	39	-20	ps
1.6	55	-70	43	-20	ps
1.5	63	-70	47	-20	ps
1.4	73	-70	52	-20	ps
1.3	84	-70	57	-20	ps
1.2	97	-70	64	-20	ps
1.1	112	-70	71	-20	ps
1.0	130	-70	80	-20	ps
DK, DK# Differential Slew Rate: 1.0 V/ns					
2.0	60	-40	60	10	ps
1.9	65	-40	63	10	ps
1.8	71	-40	66	10	ps
1.7	78	-40	69	10	ps
1.6	85	-40	73	10	ps
1.5	93	-40	77	10	ps
1.4	103	-40	82	10	ps
1.3	114	-40	87	10	ps
1.2	127	-40	94	10	ps
1.1	142	-40	101	10	ps
1.0	160	-40	110	10	ps

Figure 7: Nominal $t_{AS}/t_{CS}/t_{DS}$ and $t_{AH}/t_{CH}/t_{DH}$ Slew Rate

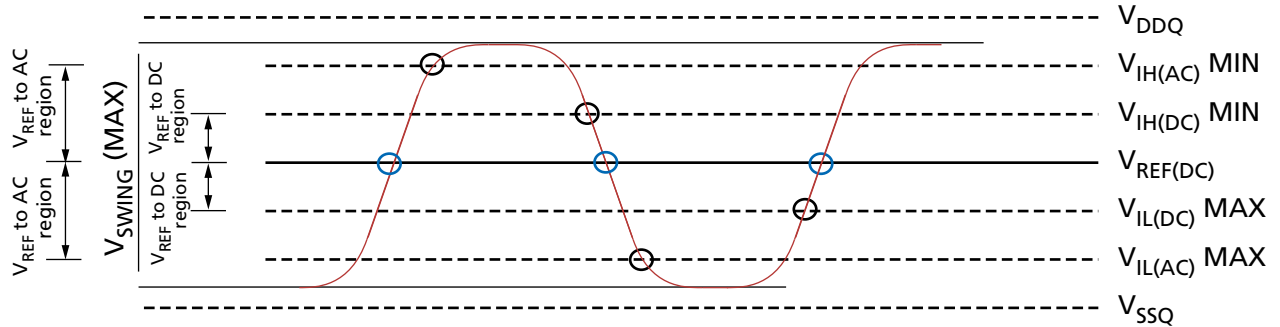


Table 11: Capacitance – μ BGA

Description	Symbol	Conditions	Min	Max	Units
Address/control input capacitance	C_I	$T_A = 25^\circ\text{C}; f = 100\text{ MHz}$ $V_{DD} = V_{DDQ} = 1.8\text{V}$	1.0	2.0	pF
Input/output capacitance (D, Q, DM, and QK/QK#)	C_O		3.0	4.5	pF
Clock capacitance (CK/CK#, and DK/DK#)	C_{CK}		1.5	2.5	pF
JTAG pins	C_{JTAG}		1.5	4.5	pF

- Notes: 1. Capacitance is not tested on ZQ pin.
2. JTAG pins are tested at 50 MHz.

Table 12: Capacitance – FBGA

Description	Symbol	Conditions	Min	Max	Units
Address/control input capacitance	C_I	$T_A = 25^\circ\text{C}; f = 100\text{ MHz}$ $V_{DD} = V_{DDQ} = 1.8\text{V}$	1.5	2.5	pF
Input/output capacitance (D, Q, DM, and QK/QK#)	C_O		3.5	5.0	pF
Clock capacitance (CK/CK#, and DK/DK#)	C_{CK}		2.0	3.0	pF
JTAG pins	C_{JTAG}		2.0	5.0	pF

- Notes: 1. Capacitance is not tested on ZQ pin.
2. JTAG pins are tested at 50 MHz.

Table 13: AC Electrical Characteristics

Notes 1-4 apply to the entire table.

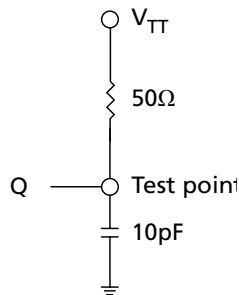
Description	Symbol	-18		-25E		-25		-33		-5		Units	Notes
		Min	Max	Min	Max	Min	Max	Min	Max	Min	Max		
Clock													
Input clock cycle time	t_{CK}	1.875	5.7	2.5	5.7	2.5	5.7	3.3	5.7	5.0	5.7	ns	
Input data clock cycle time	t_{DK}	t_{CK}		t_{CK}		t_{CK}		t_{CK}		t_{CK}		ns	
Clock jitter: period	t_{JITper}	-100	100	-150	150	-150	150	-200	200	-250	250	ps	5, 6
Clock jitter: cycle-to-cycle	t_{JITcc}		200		300		300		400		500	ps	
Clock HIGH time	t_{CKH} , t_{DKH}	0.45	0.55	0.45	0.55	0.45	0.55	0.45	0.55	0.45	0.55	t_{CK}	
Clock LOW time	t_{CKL} , t_{DKL}	0.45	0.55	0.45	0.55	0.45	0.55	0.45	0.55	0.45	0.55	t_{CK}	
Clock to input data clock	t_{CKDK}	-0.3	0.3	-0.45	0.5	-0.3	0.5	-0.3	1.0	-0.3	1.5	ns	
Mode register set cycle time to any command	t_{MRSC}	6	-	6	-	6	-	6	-	6	-	t_{CK}	
Setup Times													
Address/ command and input setup time	t_{AS}/t_{CS}	0.3	-	0.4	-	0.4	-	0.5	-	0.8	-	ns	
Data-in and data mask to DK setup time	t_{DS}	0.17	-	0.25	-	0.25	-	0.3	-	0.4	-	ns	
Hold Times													
Address/ command and input hold time	t_{AH}/t_{CH}	0.3	-	0.4	-	0.4	-	0.5	-	0.8	-	ns	
Data-in and data mask to DK hold time	t_{DH}	0.17	-	0.25	-	0.25	-	0.3	-	0.4	-	ns	
Data and Data Strobe													
Output data clock HIGH time	t_{QKH}	0.9	1.1	0.9	1.1	0.9	1.1	0.9	1.1	0.9	1.1	t_{CKH}	
Output data clock LOW time	t_{QKL}	0.9	1.1	0.9	1.1	0.9	1.1	0.9	1.1	0.9	1.1	t_{CKL}	
Half-clock period	t_{QHP}	MIN (t_{QKH} , t_{QKL})	-	MIN (t_{QKH} , t_{QKL})	-	MIN (t_{QKH} , t_{QKL})	-	MIN (t_{QKH} , t_{QKL})	-	MIN (t_{QKH} , t_{QKL})	-	-	

Table 13: AC Electrical Characteristics (Continued)

Notes 1-4 apply to the entire table.

Description	Symbol	-18		-25E		-25		-33		-5		Units	Notes
		Min	Max	Min	Max	Min	Max	Min	Max	Min	Max		
QK edge to clock edge skew	^t CKQK	-0.2	0.2	-0.25	0.25	-0.25	0.25	-0.3	0.3	-0.5	0.5	ns	
QK edge to output data edge	^t QKQ0, ^t QKQ1	-0.12	0.12	-0.2	0.2	-0.2	0.2	-0.25	0.25	-0.3	0.3	ns	7
QK edge to any output data edge	^t QKQ	-0.22	0.22	-0.3	0.3	-0.3	0.3	-0.35	0.35	-0.4	0.4	ns	8
QK edge to QVLD	^t QKVLD	-0.22	0.22	-0.3	0.3	-0.3	0.3	-0.35	0.35	-0.4	0.4	ns	
Data valid window	^t DVW	^t QHP - (^t QKQx [MAX] + ^t QKQx [MIN])	-	^t QHP - (^t QKQx [MAX] + ^t QKQx [MIN])	-	^t QHP - (^t QKQx[MAX] + ^t QKQx [MIN])	-	^t QHP - (^t QKQx[MAX] + ^t QKQx [MIN])	-	^t QHP - (^t QKQx[MAX] + ^t QKQx [MIN])	-	-	
Refresh													
Average periodic refresh interval	^t REFI	-	0.49	-	0.49	-	0.49	-	0.49	-	0.49	μs	9

- Notes:
1. All timing parameters are measured relative to the crossing point of CK/CK#, DK/DK# and to the crossing point with V_{REF} of the command, address, and data signals.
 2. Outputs measured with equivalent load:



3. Tests for AC timing, I_{DD}, and electrical AC and DC characteristics may be conducted at nominal reference/supply voltage levels, but the related specifications and device operations are tested for the full voltage range specified.
4. AC timing may use a V_{IL}-to-V_{IH} swing of up to 1.5V in the test environment, but input timing is still referenced to V_{REF} (or to the crossing point for CK/CK#), and parameter specifications are tested for the specified AC input levels under normal use conditions. The minimum slew rate for the input signals used to test the device is 2 V/ns in the range between V_{IL(AC)} and V_{IH(AC)}.
5. Clock phase jitter is the variance from clock rising edge to the next expected clock rising edge.
6. Frequency drift is not allowed.
7. ^tQKQ0 is referenced to Q0–Q8 and ^tQKQ1 is referenced to Q9–Q17 for a x18 device. For a x9 device, Q0–Q8 are referenced to ^tQKQ0 (x9 is only available in the 576Mb design).
8. ^tQKQ takes into account the skew between any QKx and any Q.

9. To improve efficiency, eight AREF commands (one for each bank) can be posted to the device on consecutive cycles at periodic intervals of $3.90\mu\text{s}$.

Temperature and Thermal Impedance

It is imperative that the device's temperature specifications, shown in the Temperature Limits table, are maintained in order to ensure that the junction temperature is in the proper operating range to meet data sheet specifications. An important step in maintaining the proper junction temperature is using the device's thermal impedances correctly. The thermal impedances are listed for the available packages.

Using thermal impedances incorrectly can produce significant errors. Read Micron technical note TN-00-88, Thermal Applications, prior to using the thermal impedances listed in the Temperature Limits table. For designs that are expected to last several years and require the flexibility to use several DRAM die shrinks, consider using final target theta values (rather than existing values) to account for increased thermal impedances from the die size reduction.

The device's safe junction temperature range can be maintained when the T_C specification is not exceeded. In applications where the device's ambient temperature is too high, use of forced air and/or heat sinks may be required in order to satisfy the case temperature specifications.

Table 14: Temperature Limits

Parameter		Symbol	Min	Max	Units	Notes
Storage temperature		T_{STG}	-55	+150	°C	1
Reliability junction temperature	Commercial	T_J	-	+110	°C	2
	Industrial		-	+110	°C	2
Operating junction temperature	Commercial	T_J	0	+100	°C	3
	Industrial		-40	+100	°C	3
Operating case temperature	Commercial	T_C	0	+95	°C	4, 5
	Industrial		-40	+95	°C	4, 5, 6

- Notes:
1. MAX storage case temperature; T_{STG} is measured in the center of the package, as shown in Example Temperature Test Point Location. This case temperature limit can be exceeded briefly during package reflow, as noted in Micron technical note TN-00-15.
 2. Temperatures greater than 110°C may cause permanent damage to the device. This is a stress rating only and functional operation of the device at or above this is not implied. Exposure to absolute maximum rating conditions for extended periods may affect the reliability of the part.
 3. Junction temperature depends upon package type, cycle time, loading, ambient temperature, and airflow.
 4. MAX operating case temperature; T_C is measured in the center of the package, as shown in Example Temperature Test Point Location.
 5. Device functionality is not guaranteed if the device exceeds maximum T_C during operation.
 6. Both temperature specifications must be satisfied.

Table 15: Thermal Impedance

Package	Substrate	θ_{JA} (°C/W) Airflow = 0m/s	θ_{JA} (°C/W) Airflow = 1m/s	θ_{JA} (°C/W) Airflow = 2m/s	θ_{JB} (°C/W)	θ_{JC} (°C/W)
Rev. A die	2-layer	41.2	29.1	25.3	14.3	2.27
	4-layer	28.2	21.9	19.9	13.6	

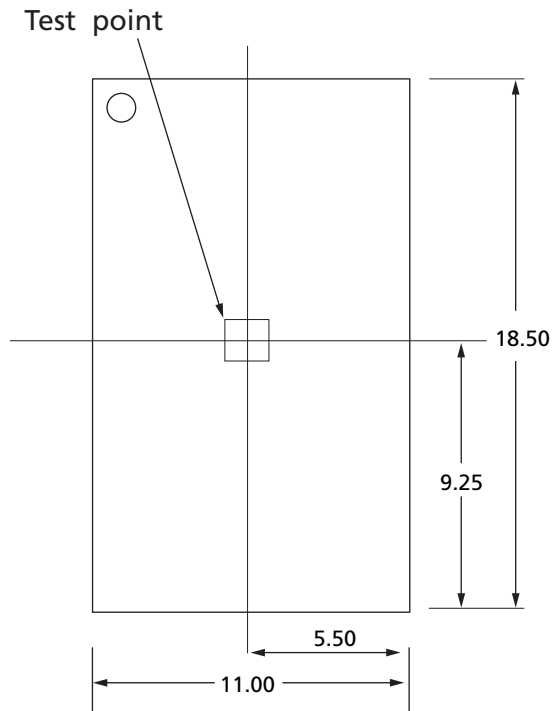
Note: 1. Thermal impedance data is based on a number of samples from multiple lots and should be viewed as a typical number.

Table 16: Thermal Impedance

Die Rev.	Package	Substrate	θ_{JA} (°C/W) Airflow = 0m/s	θ_{JA} (°C/W) Airflow = 1m/s	θ_{JA} (°C/W) Airflow = 2m/s	θ_{JB} (°C/W)	θ_{JC} (°C/W)
Rev. B	μ FBGA	Low conductivity	53.7	42.0	37.7	N/A	3.9
		High conductivity	34.1	28.9	27.1	21.9	N/A
	FBGA	Low conductivity	45.3	34.1	30.2	N/A	3.1
		High conductivity	28.2	23.2	21.5	17.3	N/A

Note: 1. Thermal resistance data is based on a number of samples from multiple lots and should be viewed as a typical number.

Figure 8: Example Temperature Test Point Location



Commands

All input states or sequences not shown are illegal or reserved. All command and address inputs must meet setup and hold times around the rising edge of CK.

Table 17: Description of Commands

Command	Description	Notes
DSEL/NOP	The NOP command is used to perform a no operation to the RLDRAM, which essentially deselects the chip. Use the NOP command to prevent unwanted commands from being registered during idle or wait states. Operations already in progress are not affected. Output values depend on command history.	1
MRS	The mode register is set via the address inputs A0–A17. See the Mode Register Definition in Nonmultiplexed Address Mode figure for further information. The MRS command can only be issued when all banks are idle and no other operation is in progress.	
READ	The READ command is used to initiate a burst read access to a bank. The value on the BA0–BA2 inputs selects the bank, and the address provided on inputs A0–An selects the data location within the bank.	2
WRITE	The WRITE command is used to initiate a burst write access to a bank. The value on the BA0–BA2 inputs selects the bank, and the address provided on inputs A0–An selects the data location within the bank. Input data appearing on the D is written to the memory array subject to the DM input logic level appearing coincident with the data. If the DM signal is registered LOW, the corresponding data will be written to memory. If the DM signal is registered HIGH, the corresponding data inputs will be ignored (that is, this part of the data word will not be written).	2
AREF	The AREF command is used during normal operation of the RLDRAM to refresh the memory content of a bank. The command is nonpersistent, so it must be issued each time a refresh is required. The value on the BA0–BA2 inputs selects the bank. The refresh address is generated by an internal refresh controller, effectively making each address bit a “Don’t Care” during the AREF command. See the AUTO REFRESH (AREF) section for more details.	

- Notes:
1. When the chip is deselected, internal NOP commands are generated and no commands are accepted.
 2. For 288Mb, $n = 19$.

Table 18: Command Table

Operation	Code	CS#	WE#	REF#	A0–An ²	BA0–BA2	Notes
Device Deselect/no operation	DSEL/NOP	H	X	X	X	X	
MRS	MRS	L	L	L	OPCODE	X	2
READ	READ	L	H	H	A	BA	3
WRITE	WRITE	L	L	H	A	BA	3
AUTO REFRESH	AREF	L	H	L	X	BA	

- Notes:
1. Applies to entire table: X = “Don’t Care;” H = logic HIGH; L = logic LOW; A = valid address; BA = valid bank address.
 2. Only A0–A17 are used for the MRS command.
 3. Address width varies with burst length; see the Address Widths at Different Burst Lengths table for details.

MODE REGISTER SET (MRS) Command

The mode register set stores the data for controlling the operating modes of the memory. It programs the device configuration, burst length, test mode, and I/O options. During an MRS command, the address inputs A0–A17 are sampled and stored in the mode register. After issuing a valid MRS command, tMRSC must be met before any command can be issued to the device. This statement does not apply to the consecutive MRS commands needed for internal logic reset during the initialization routine. The MRS command can only be issued when all banks are idle and no other operation is in progress.

Note: The data written by the prior burst length is not guaranteed to be accurate when the burst length of the device is changed.

Figure 9: Mode Register Set

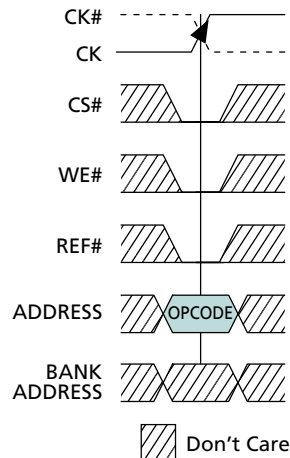
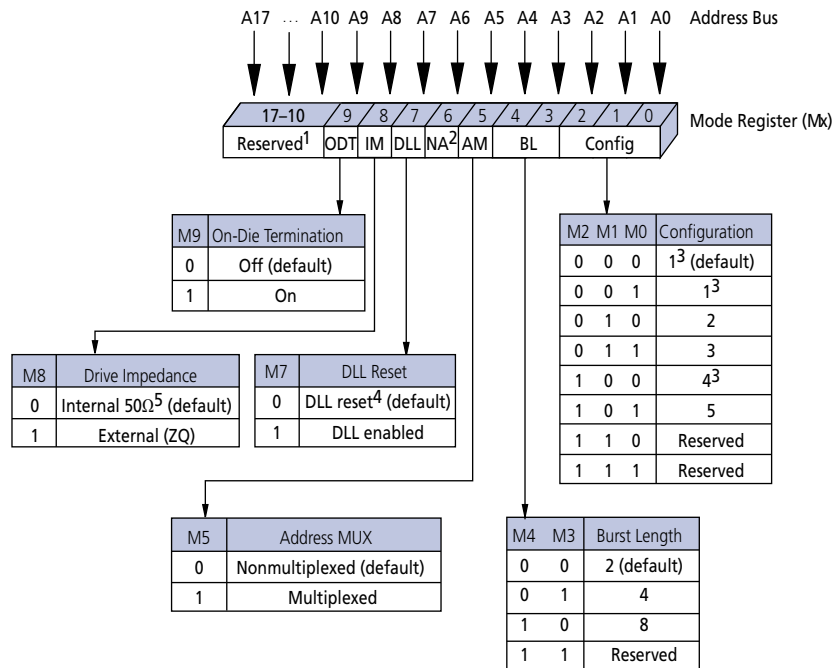


Figure 10: Mode Register Definition in Nonmultiplexed Address Mode



- Notes:
1. A10–A17 must be set to zero; A18–An = “Don’t Care.”
 2. A6 not used in MRS.
 3. BL = 8 is not available.
 4. DLL RESET turns the DLL off.
 5. ±30% temperature variation.

Configuration Tables

The table below shows the different configurations that can be programmed into the mode register. The WRITE latency is equal to the READ latency plus one in each configuration in order to maximize data bus utilization. Bits M0, M1, and M2 are used to select the configuration during the MRS command.

Table 19: Cycle Time and READ/WRITE Latency Configuration Table

Notes 1 and 2 apply to entire table

Parameter	Configuration					Units
	1 ³	2	3	4 ^{3,4}	5	
t _{RC}	4	6	8	3	5	t _{CK}
t _{RL}	4	6	8	3	5	t _{CK}
t _{WL}	5	7	9	4	6	t _{CK}
Valid frequency range	266–175	400–175	533–175	200–175	333–175	MHz

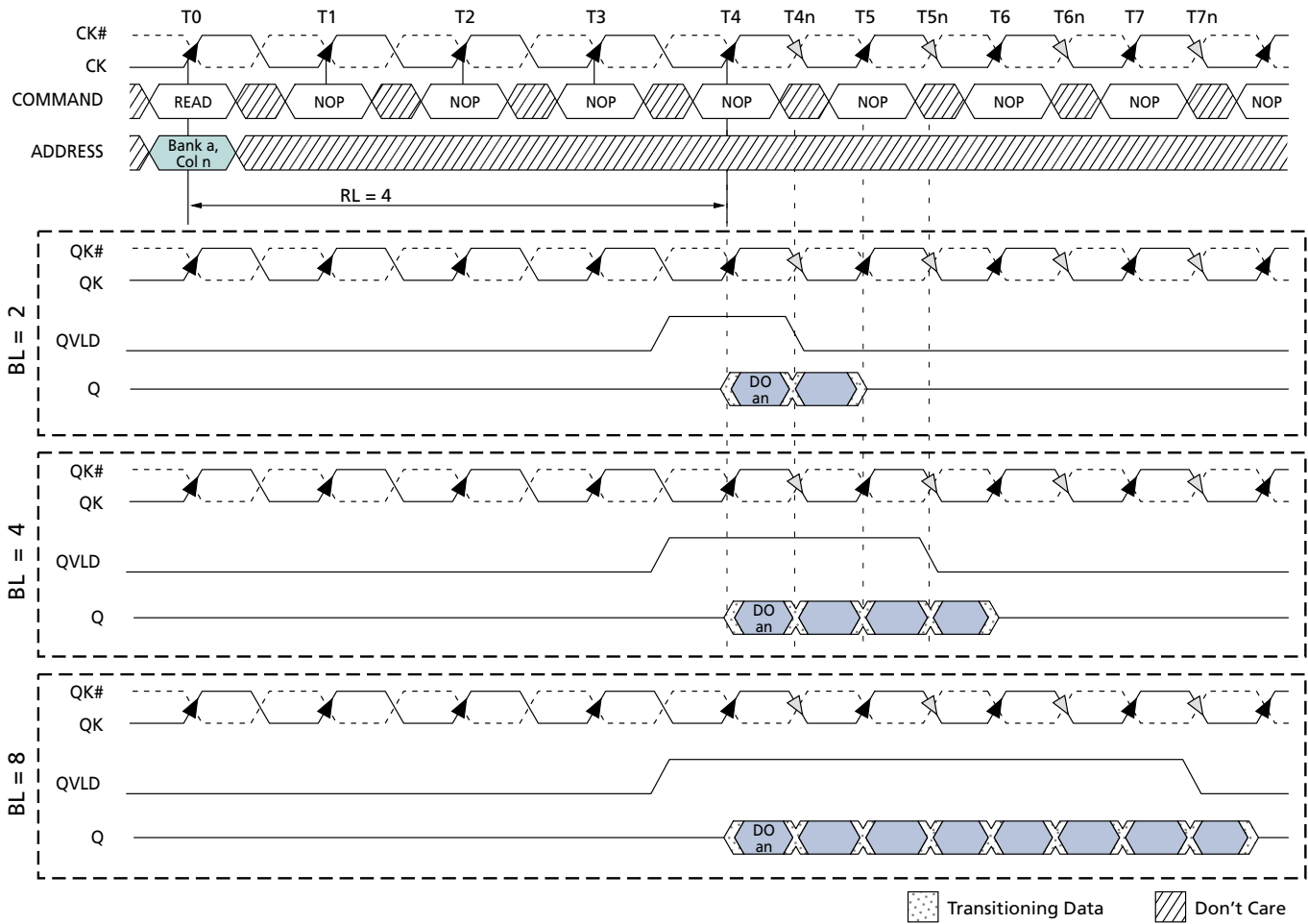
- Notes:
1. Minimum operating frequency for the Die Rev. A -18 is 370 MHz.
 2. BL = 8 is not available.
 3. The minimum t_{RC} is typically 3 cycles, except in the case of a WRITE followed by a READ to the same bank. In this instance the minimum t_{RC} is 4 cycles.

Burst Length (BL)

Burst length is defined by M3 and M4 of the mode register. Read and write accesses to the device are burst-oriented, with the burst length being programmable to 2, 4, or 8. Changes in the burst length affect the width of the address bus (see the Address Widths at Different Burst Lengths table for details).

Note: The data written by the prior burst length is not guaranteed to be accurate when the burst length of the device is changed.

Figure 11: Read Burst Lengths



- Notes: 1. DO_{an} = data-out from bank a and address an.
 2. Subsequent elements of data-out appear after DO_n.
 3. Shown with nominal ^tCKQK.

Table 20: Address Widths at Different Burst Lengths

Burst Length	Configuration
	x18
2	A0–A19
4	A0–A18
8	A0–A17

Address Multiplexing

The multiplexed address option is available by setting mode register bit M5 to 1. Once this bit is set, the READ, WRITE, and MRS commands follow the format described in the Command Description in Multiplexed Address Mode figure. Further information on operation with multiplexed addresses can be seen in Multiplexed Address Mode.

Although the device has the ability to operate with an SRAM interface by accepting the entire address in one clock, an option in the mode register can be set so that it functions with multiplexed addresses, similar to a traditional DRAM.

In multiplexed address mode, the address can be provided to the device in two parts that are latched into the memory with two consecutive rising clock edges. This provides the advantage of only needing a maximum of 11 address balls to control the device, reducing the number of signals on the controller side. The data bus efficiency in continuous burst mode is only affected when using the BL = 2 setting because the device requires two clocks to read and write the data.

The bank addresses are delivered to the device at the same time as the WRITE and READ command and the first address part, Ax. The Address Mapping in Multiplexed Address Mode table shows the addresses needed for both the first and second rising clock edges (Ax and Ay, respectively).

The AREF command does not require an address on the second rising clock edge, as only the bank address is needed during this command. Because of this, AREF commands may be issued on consecutive clocks.

DLL RESET

DLL reset is selected with bit M7 of the mode register. The default setting for this option is LOW, whereby the DLL is disabled.

Once M7 is set HIGH, 1024 cycles (5 μ s at 200 MHz) are needed before a READ command can be issued. This time enables the internal clock to be synchronized with the external clock.

Failing to wait for synchronization to occur may result in a violation of the tCKQK parameter.

A reset of the DLL is necessary if tCK or V_{DD} is changed after the DLL has already been enabled. To reset the DLL, an MRS command must be issued where M7 is set LOW. After waiting tMRSC, a subsequent MRS command should be issued whereby M7 goes HIGH, and 1024 clock cycles are then needed before a READ command is issued.

Drive Impedance Matching

The device is equipped with programmable impedance output buffers. This option is selected by setting bit M8 HIGH during the MRS command. The purpose of the programmable impedance output buffers is to enable the user to match the driver impedance to the system. To adjust the impedance, an external precision resistor (RQ) is connected between the ZQ ball and V_{SS}. The value of the resistor must be five times the desired impedance. For example, a 300 Ω resistor is required for an output impedance of 60 Ω . The range of RQ is 125–300 Ω , which guarantees output impedance in the range of 25–60 Ω (within 15%).

Output impedance updates may be required because over time variations may occur in supply voltage and temperature. When the external drive impedance is enabled in the

MRS, the device will periodically sample the value of RQ. An impedance update is transparent to the system and does not affect device operation. All data sheet timing and current specifications are met during an update.

When bit M8 is set LOW during the MRS command, the device provides an internal impedance at the output buffer of 50Ω ($\pm 30\%$ with temperature variation). This impedance is also periodically sampled and adjusted to compensate for variation in supply voltage and temperature.

On-Die Termination (ODT)

ODT is enabled by setting M9 to a value of 1 during an MRS command. With ODT on, the D, Q, and DM are terminated to V_{TT} with a resistance R_{TT} . The command, address, QVLD, and clock signals are not terminated. The following figure shows the equivalent circuit of a D receiver with ODT.

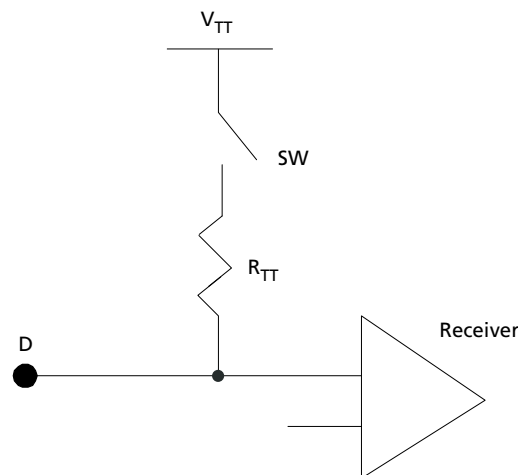
The ODT function is dynamically switched off when a Q begins to drive after a READ command is issued. Similarly, ODT is designed to switch on at the Q after the device has issued the last piece of data. The D and DM pins will always be terminated.

Table 21: On-Die Termination DC Parameters

Description	Symbol	Min	Max	Units	Notes
Termination voltage	V_{TT}	$0.95 \times V_{REF}$	$1.05 \times V_{REF}$	V	1, 2
On-die termination	R_{TT}	125	185	Ω	3

- Notes:
1. All voltages referenced to V_{SS} (GND).
 2. V_{TT} is expected to be set equal to V_{REF} and must track variations in the DC level of V_{REF} .
 3. The R_{TT} value is measured at $95^\circ\text{C } T_C$.

Figure 12: On-Die Termination-Equivalent Circuit



READ Command

A READ command with an address initiates read access. During READ bursts, the device drives the read data to be edge-aligned with the QKx signals. After a programmable READ latency, data is available at the outputs. One half clock cycle prior to valid data on the read bus, QVLD, transitions from LOW to HIGH. QVLD is also edge-aligned with the QKx signals.

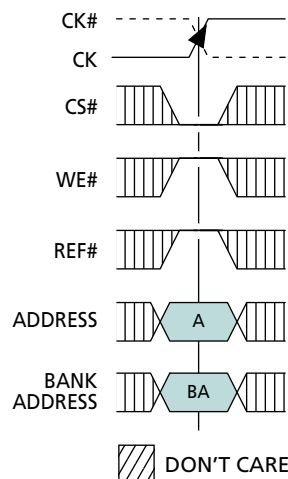
The skew between QK and the crossing point of CK is specified as t_{CKQK} . t_{QKQ0} is the skew between QK0 and the last valid data edge generated at the DQ signals associated with QK0 (t_{QKQ0} is referenced to DQ0–DQ17 for a x36 configuration and DQ0–DQ8 for a x18 configuration). t_{QKQ1} is the skew between QK1 and the last valid data edge generated at the DQ signals associated with QK1 (t_{QKQ1} is referenced to DQ18–DQ35 for a x36 and DQ9–DQ17 for a x18 configuration). t_{QKQx} is derived at each QKx clock edge and is not cumulative over time. t_{QKQ} is defined as the skew between either QK differential pair and any output data edge.

After completion of a burst, assuming no other command has been initiated, output data (DQ) goes High-Z. The QVLD signal transitions LOW on the last bit of the READ burst. Note that if CK/CK# violates the $V_{ID(DC)}$ specification while a READ burst is occurring, QVLD will remain HIGH until a dummy READ command is issued. The QK clocks are free-running and will continue to cycle after READ burst is complete. Back-to-back READ commands are possible, producing a continuous flow of output data. The data valid window is derived from each QK transition and is defined as:

$t_{QHP} - (t_{QKQ} [MAX] + |t_{QKQ} [MIN]|)$. See the Read Data Valid Window for x9 Device figure, the Read Data Valid Window for x18 Device figure, and the Read Data Valid Window for x36 Device figure for illustration.

Any READ burst may be followed by a subsequent WRITE command. The READ-to-WRITE figure illustrates the timing requirements for a READ followed by a WRITE. Some systems having long line lengths or severe skews may need additional idle cycles inserted between READ and WRITE commands to prevent data bus contention.

Figure 13: READ Command



WRITE Command

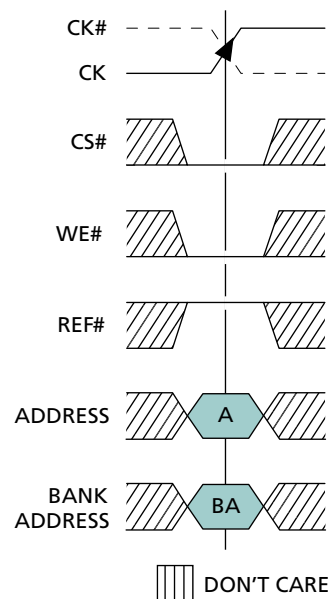
Write accesses are initiated with a WRITE command. The address needs to be provided during the WRITE command.

During WRITE commands, data will be registered at both edges of DK according to the programmed burst length (BL). The device operates with a WRITE latency (WL) that is one cycle longer than the programmed READ latency (RL + 1), with the first valid data registered at the first rising DK edge WL cycles after the WRITE command.

Because the input and output data buses are separate, any WRITE burst may be followed by a subsequent READ command without encountering external data bus contention.

Setup and hold times for incoming DQ relative to the DK edges are specified as t_{DS} and t_{DH} . The input data is masked if the corresponding DM signal is HIGH. The setup and hold times for the DM signal are also t_{DS} and t_{DH} .

Figure 14: WRITE Command

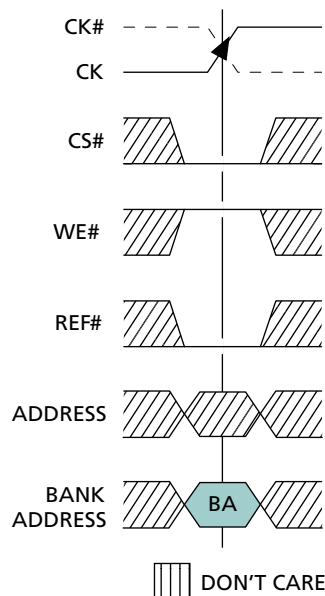


AUTO REFRESH (AREF) Command

AREF is used to perform a REFRESH cycle on one row in a specific bank. Because the row addresses are generated by an internal refresh counter for each bank, the external address balls are “Don’t Care.” The bank addresses must be provided during the AREF command. The bank address is needed during the AREF command so refreshing of the part can effectively be hidden behind commands to other banks. The delay between the AREF command and a subsequent command to the same bank must be at least t_{RC} .

Within a period of 32ms (t_{REF}), the entire device must be refreshed. The 288Mb device requires 64K cycles at an average periodic interval of 0.49 μ s MAX (actual periodic refresh interval is 32ms/8K rows/8 banks = 0.488 μ s). To improve efficiency, eight AREF commands (one for each bank) can be posted to the device at periodic intervals of 3.9 μ s (32ms/8K rows = 3.90 μ s).

Figure 15: AUTO REFRESH Command



INITIALIZATION Operation

The device must be powered up and initialized in a predefined manner. Operational procedures other than those specified may result in undefined operations or permanent damage to the device.

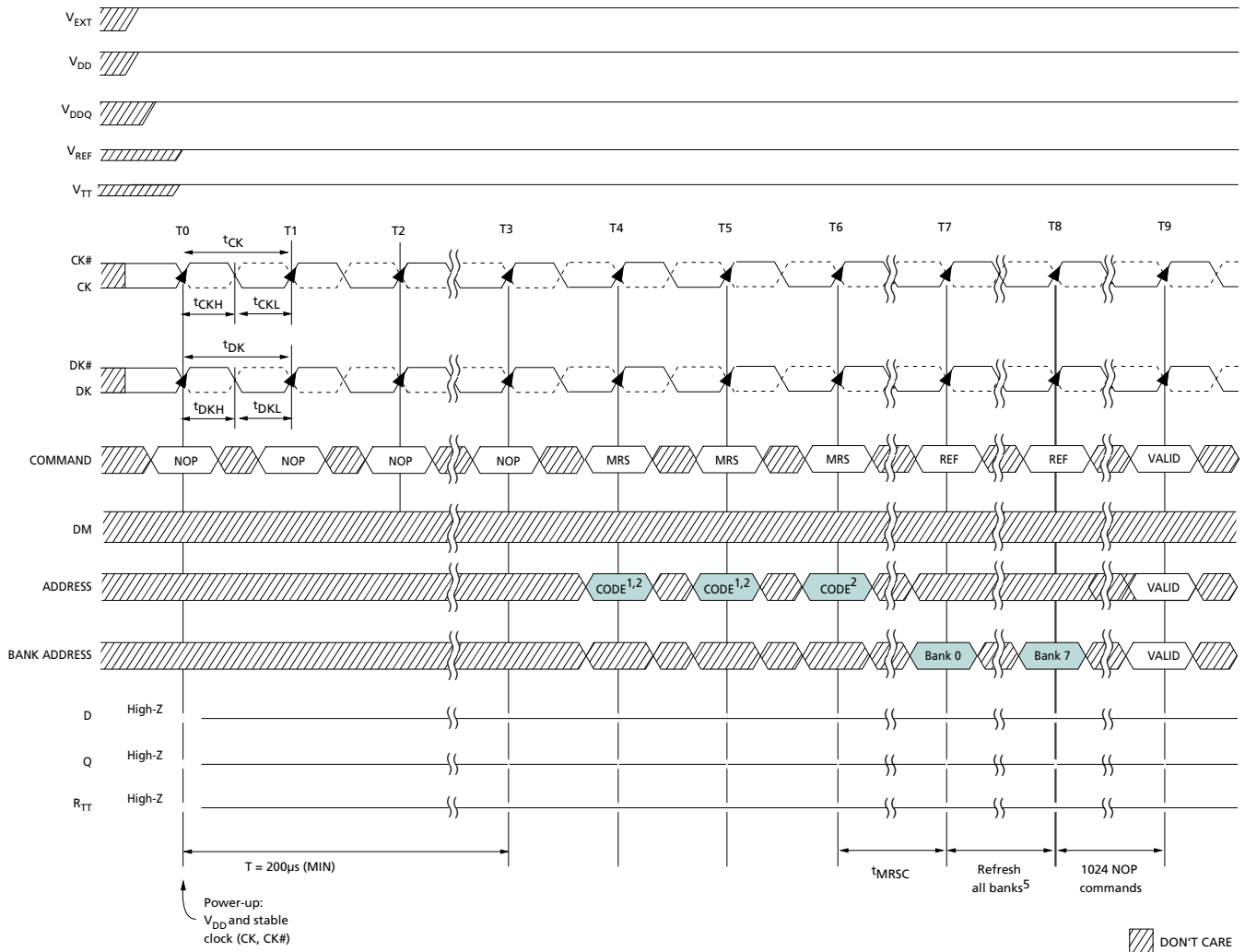
The following sequence is used for power-up:

1. Apply power (V_{EXT} , V_{DD} , V_{DDQ} , V_{REF} , V_{TT}) and start clock as soon as the supply voltages are stable. Apply V_{DD} and V_{EXT} before or at the same time as V_{DDQ} .¹ Apply V_{DDQ} before or at the same time as V_{REF} and V_{TT} . Although there is no timing relation between V_{EXT} and V_{DD} , the chip starts the power-up sequence only after both voltages approach their nominal levels. $CK/CK\#$ must meet $V_{ID(DC)}$ prior to being applied.² Apply NOP conditions to command pins. Ensuring $CK/CK\#$ meet $V_{ID(DC)}$ while applying NOP conditions to the command pins guarantees that the device will not receive unwanted commands during initialization.
2. Maintain stable conditions for 200 μ s (MIN).
3. Issue at least three consecutive MRS commands: two dummies or more plus one valid MRS. The purpose of these consecutive MRS commands is to internally reset the logic of the device. Note that tMRSC does not need to be met between these consecutive commands. It is recommended that all address pins are held LOW during the dummy MRS commands.
4. tMRSC after the valid MRS, an AUTO REFRESH command to all 8 banks (along with 1024 NOP commands) must be issued prior to normal operation. The sequence of the eight AUTO REFRESH commands (with respect to the 1024 NOP commands) does not matter. As is required for any operation, tRC must be met between an AUTO REFRESH command and a subsequent valid command to the same bank. Note that previous versions of the data sheet required each of these AUTO REFRESH commands be separated by 2048 NOP commands. This properly initializes the device but is no longer required.

Notes:

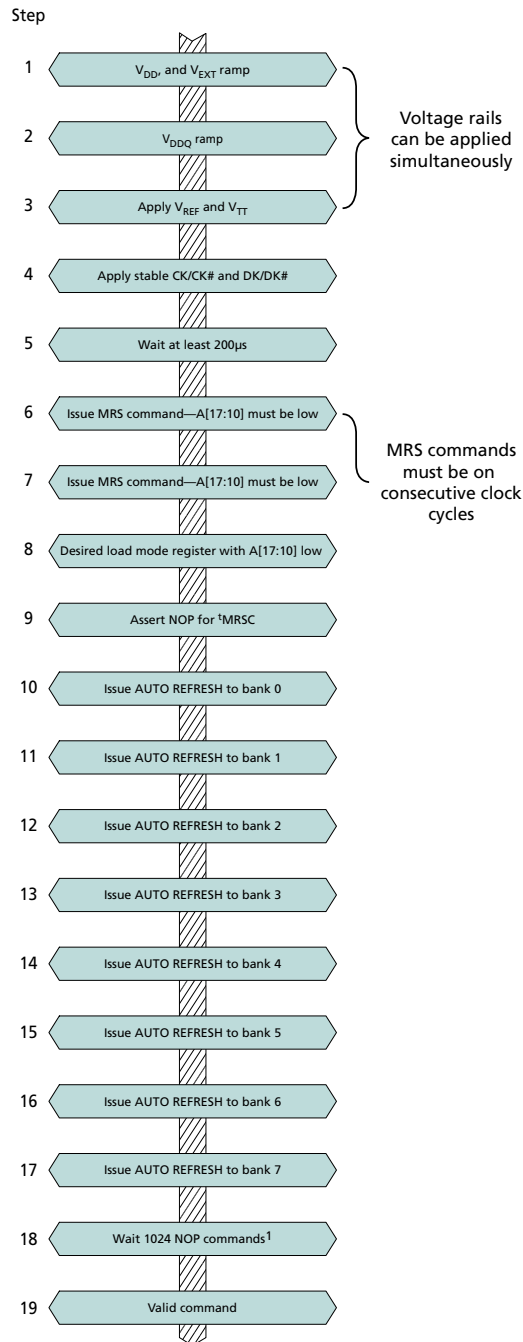
1. It is possible to apply V_{DDQ} before V_{DD} . However, when doing this, the D, DM, Q, and all other pins with an output driver, will go HIGH instead of tri-stating. These pins will remain high until V_{DD} is at the same level as V_{DDQ} . Care should be taken to avoid bus conflicts during this period.
2. If $V_{ID(DC)}$ on $CK/CK\#$ can not be met prior to being applied to the device, placing a large external resistor from $CS\#$ to V_{DD} is a viable option for ensuring the command bus does not receive unwanted commands during this unspecified state.

Figure 16: Power-Up/Initialization Sequence



- Notes:
1. Recommend all address pins held LOW during dummy MRS commands.
 2. A10–A17 must be LOW.
 3. DLL must be reset if t_{CK} or V_{DD} are changed.
 4. CK and CK# must be separated at all times to prevent bogus commands from being issued.
 5. The sequence of the eight AUTO REFRESH commands (with respect to the 1024 NOP commands) does not matter. As is required for any operation, t_{RC} must be met between an AUTO REFRESH command and a subsequent valid command to the same bank.

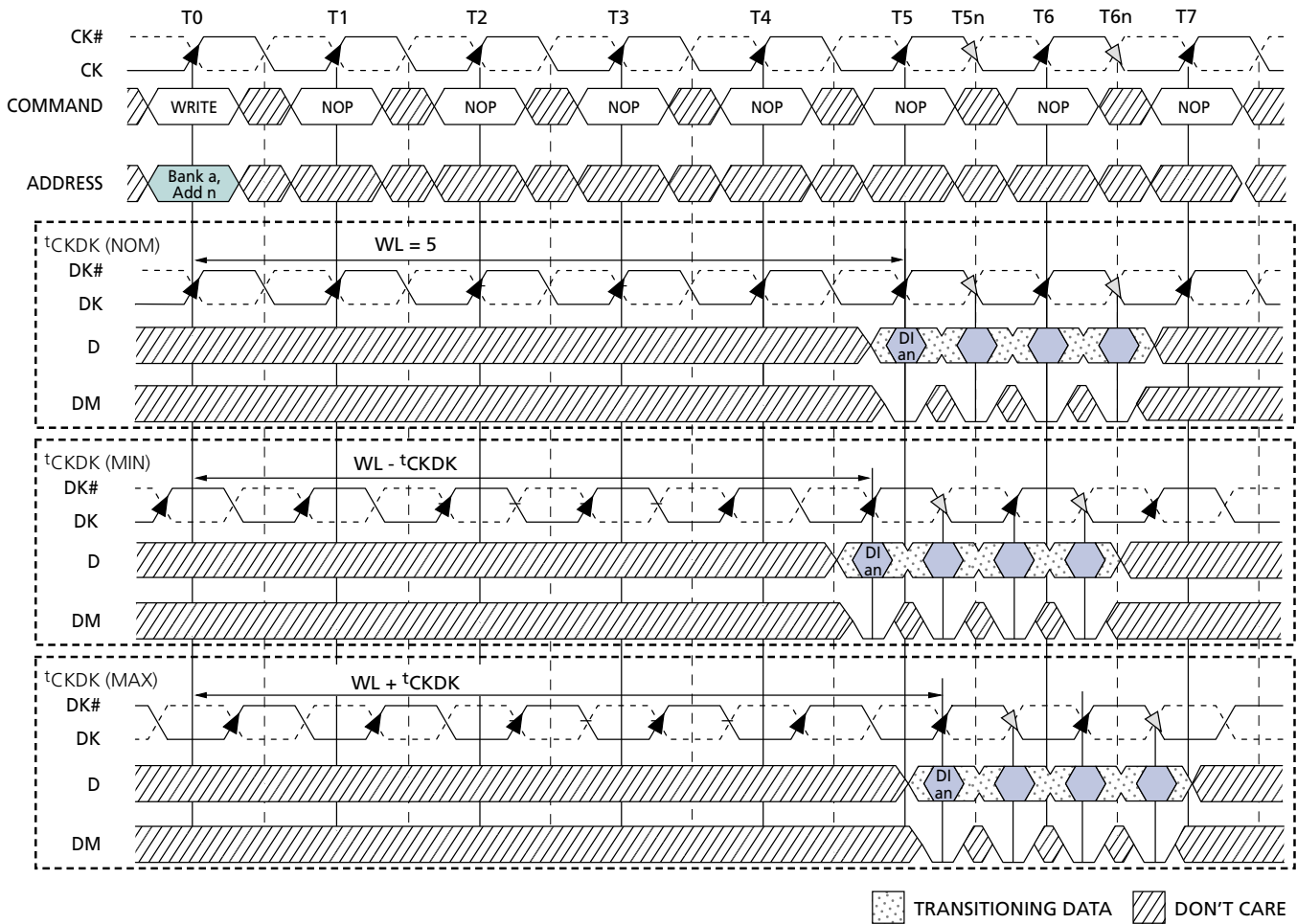
Figure 17: Power-Up/Initialization Flow Chart



Note: 1. The sequence of the eight AUTO REFRESH commands (with respect to the 1024 NOP commands) does not matter. As is required for any operation, ¹RC must be met between an AUTO REFRESH command and a subsequent valid command to the same bank.

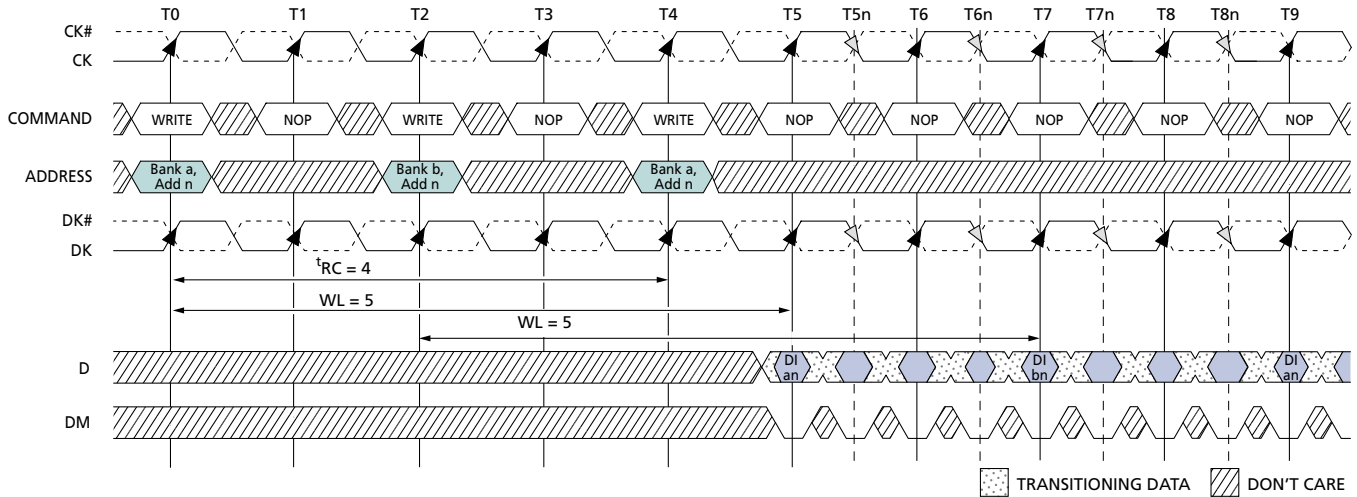
WRITE Operations

Figure 18: WRITE Burst



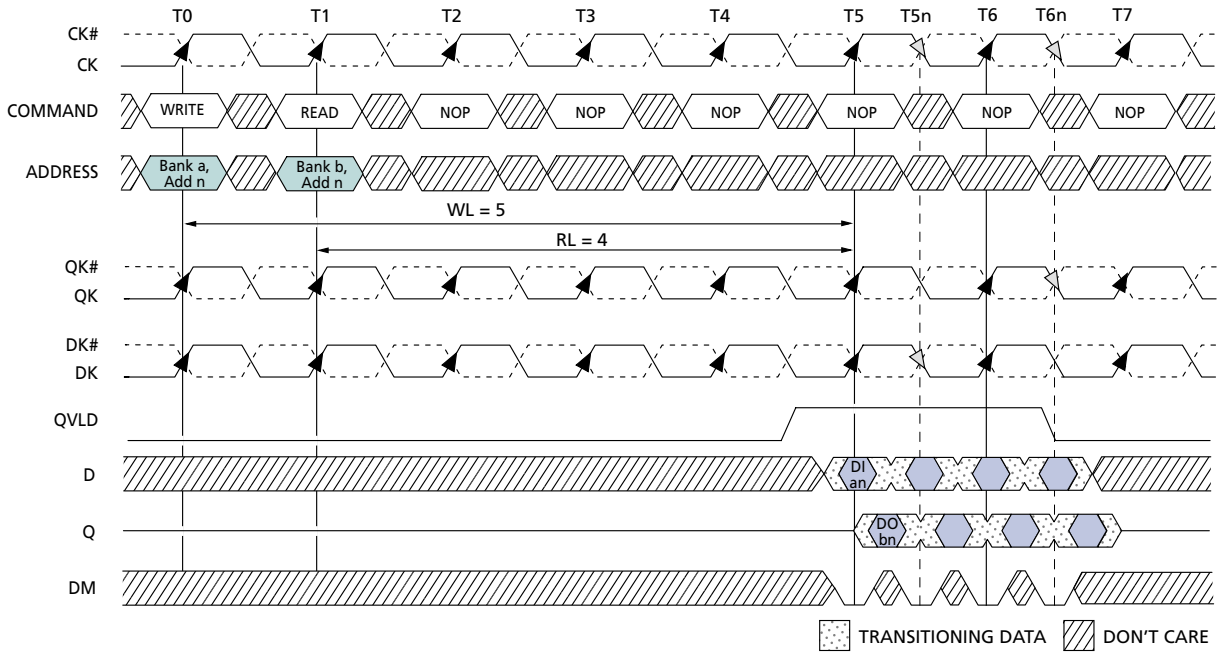
- Notes: 1. DI an = data-in for address n; subsequent elements of burst are applied following DI an.
 2. BL = 4.

Figure 19: Consecutive WRITE-to-WRITE



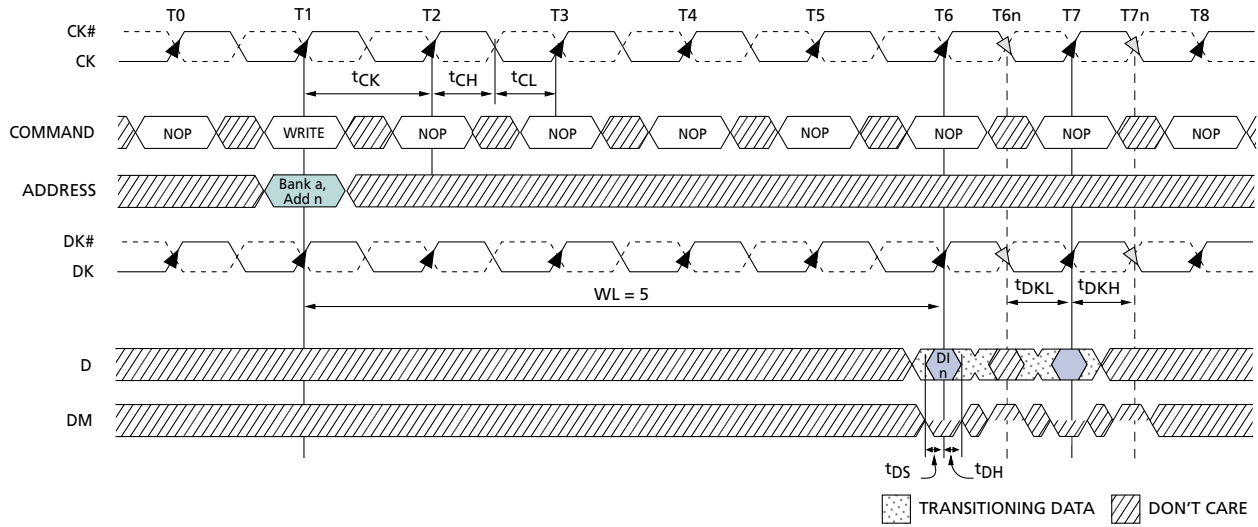
- Notes:
1. DI *an* (or *bn*) = data-in for bank a (or bank b) and address *n*.
 2. Three subsequent elements of the burst are applied following DI for each bank.
 3. BL = 4.
 4. Each WRITE command may be to any bank; if the second WRITE is to the same bank, tRC must be met.
 5. Nominal conditions are assumed for specifications not defined.

Figure 20: WRITE-to-READ



- Notes:
1. DI *an* = data-in for bank *a* and address *n*.
 2. DO *bn* = data-out from bank *b* and address *n*.
 3. Three subsequent elements of each burst follow DI *an* and DO *bn*.
 4. BL = 4.
 5. Nominal conditions are assumed for specifications not defined.

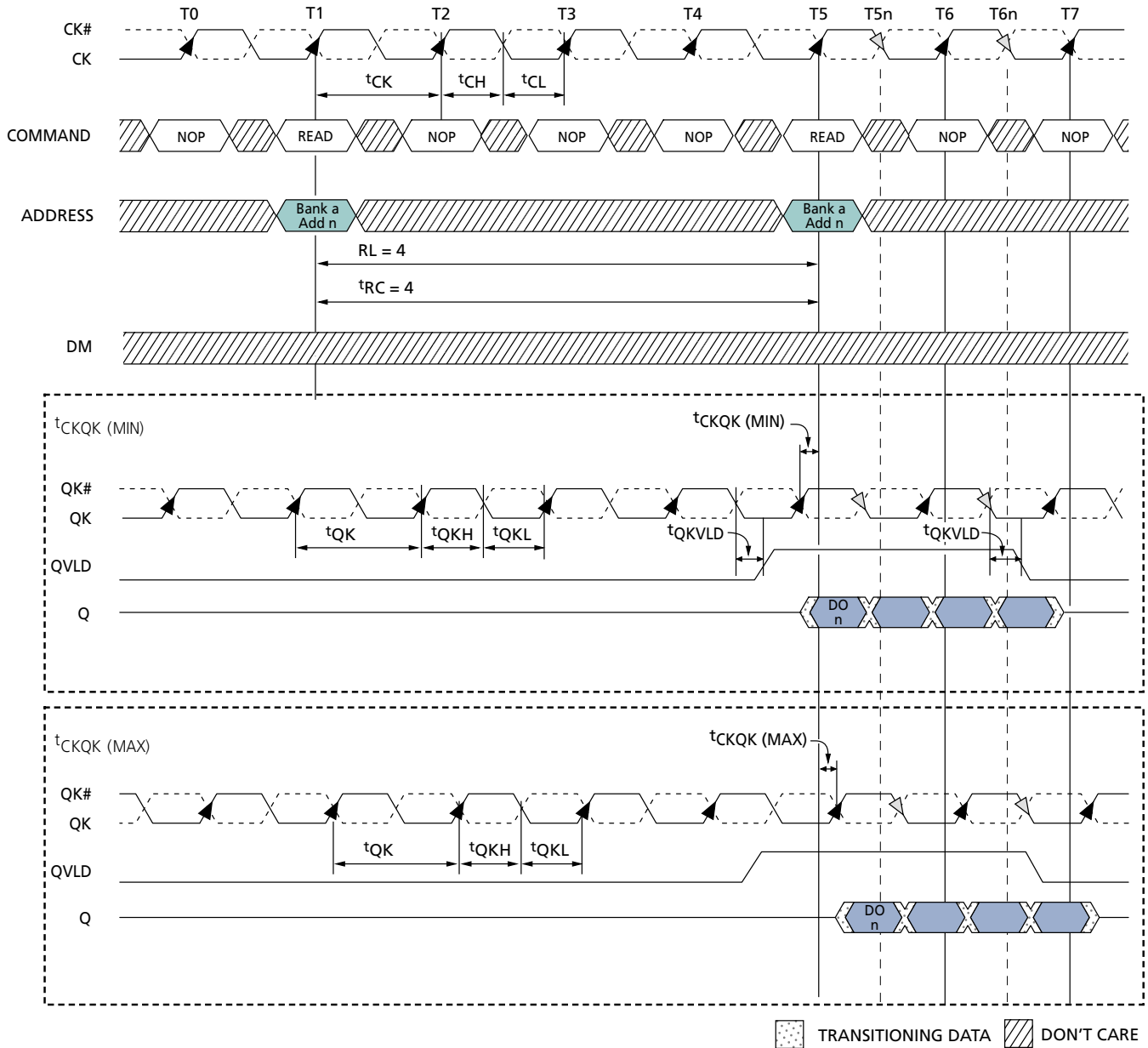
Figure 21: WRITE – DM Operation



- Notes:
1. DI n = data-in from address n .
 2. Subsequent elements of burst are provided on following clock edges.
 3. BL = 4.
 4. Nominal conditions are assumed for specifications not defined.

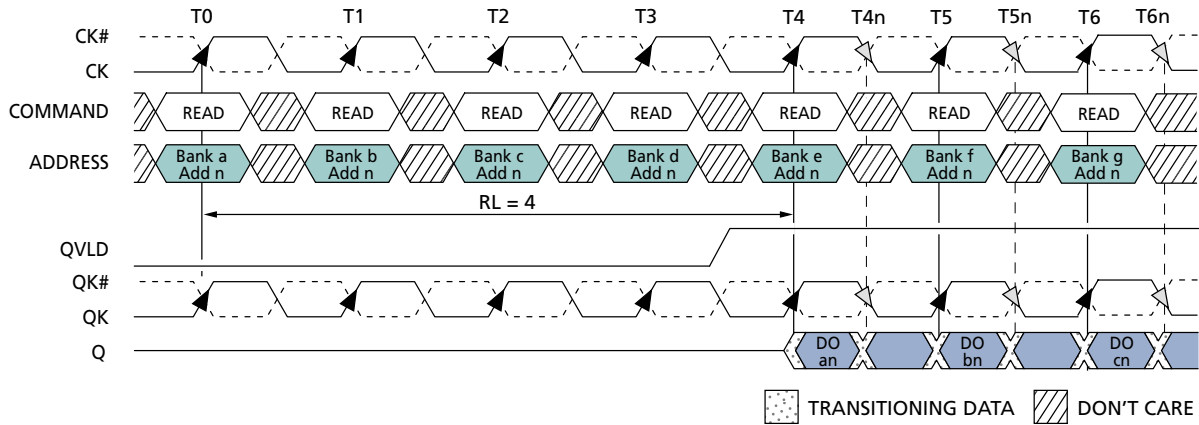
READ Operations

Figure 22: Basic READ Burst Timing



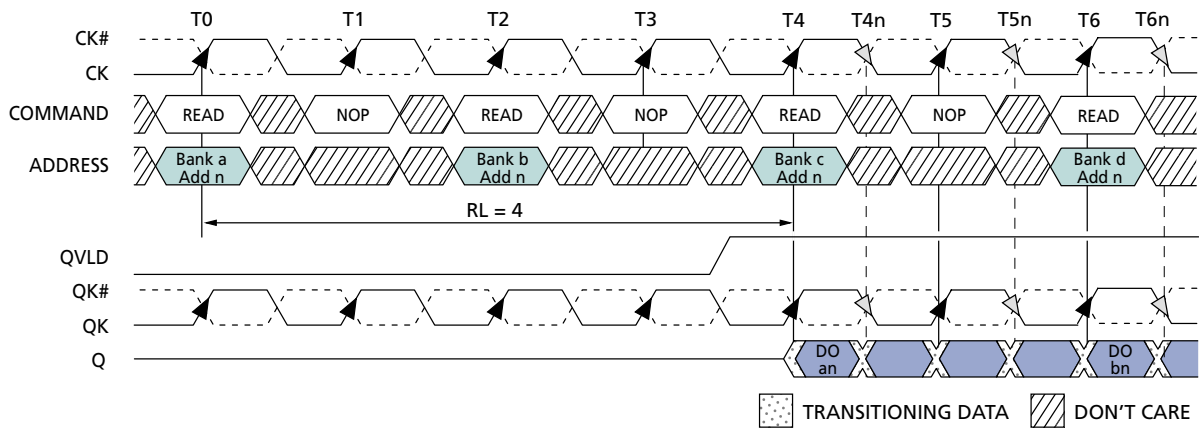
- Notes:
1. DO_n = data-out from address n .
 2. Three subsequent elements of the burst are applied following DO_n .
 3. $BL = 4$.
 4. Nominal conditions are assumed for specifications not defined.

Figure 23: Consecutive READ Bursts (BL = 2)



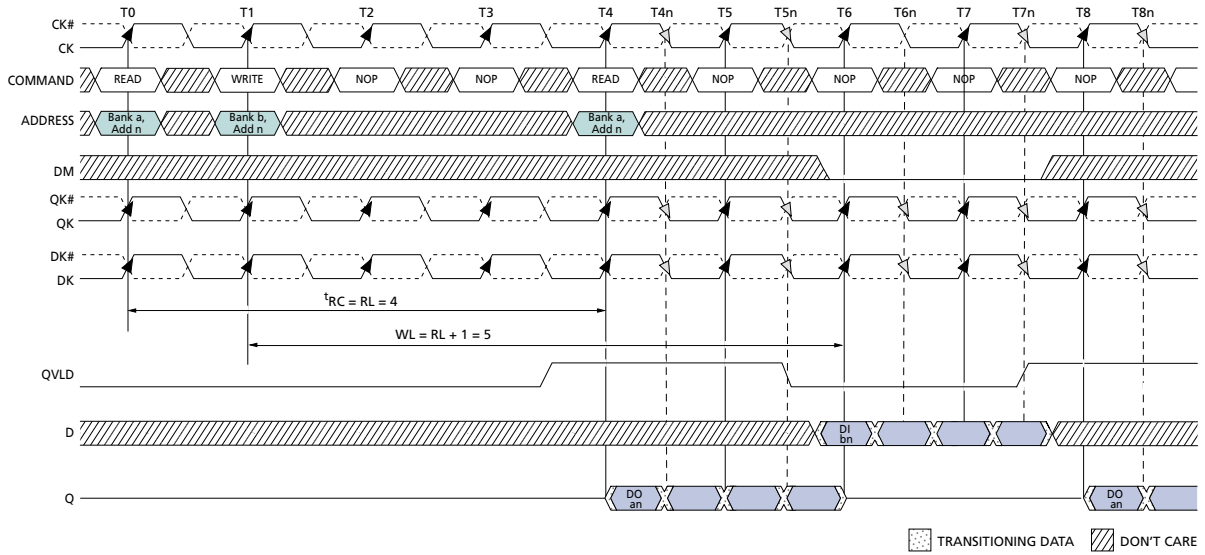
- Notes:
1. DO *an* (or *bn* or *cn*) = data-out from bank *a* (or bank *b* or bank *c*) and address *n*.
 2. One subsequent element of the burst from each bank appears after each DO *x*.
 3. Nominal conditions are assumed for specifications not defined.
 4. Example applies only when READ commands are issued to same device.
 5. Bank address can be to any bank, but the subsequent READ can only be to the same bank if t_{RC} has been met.
 6. Data from the READ commands to bank *d* through bank *g* will appear on subsequent clock cycles that are not shown.

Figure 24: Consecutive READ Bursts (BL = 4)



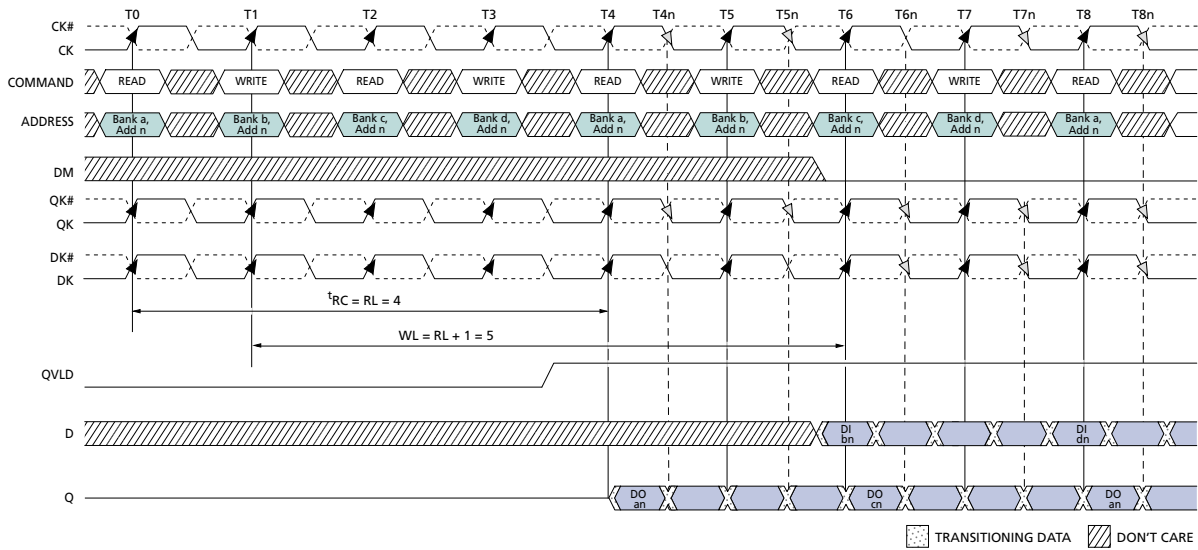
- Notes:
1. DO *an* (or *bn*) = data-out from bank *a* (or bank *b*) and address *n*.
 2. Three subsequent elements of the burst from each bank appears after each DO *x*.
 3. Nominal conditions are assumed for specifications not defined.
 4. Example applies only when READ commands are issued to same device.
 5. Bank address can be to any bank, but the subsequent READ can only be to the same bank if t_{RC} has been met.
 6. Data from the READ commands to banks *c* and *d* will appear on subsequent clock cycles that are not shown.

Figure 25: READ-to-WRITE



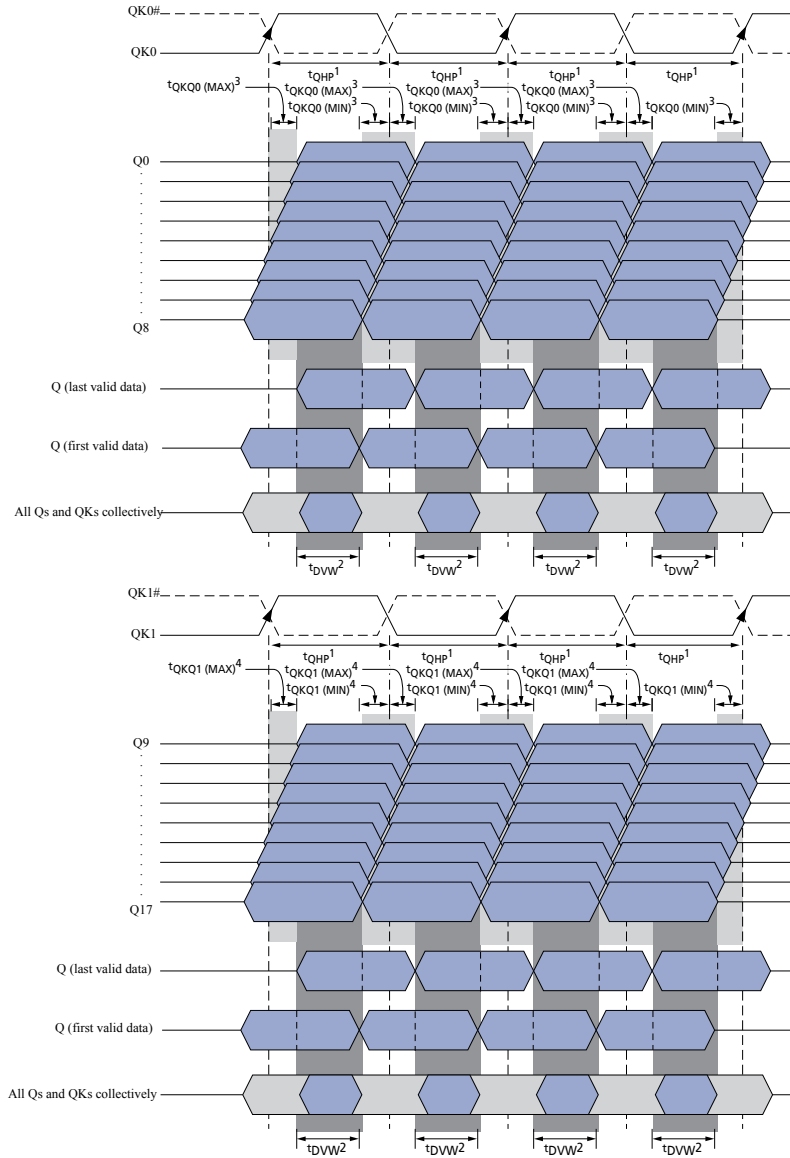
- Notes:
1. DO an = data-out from bank a and address n .
 2. DI bn = data-in for bank b and address n .
 3. Three subsequent elements of each burst follow DI bn and each DO an .
 4. BL = 4.
 5. Nominal conditions are assumed for specifications not defined.

Figure 26: READ/WRITE Interleave



- Notes:
1. DO_{xn} = data-out from bank x and address n .
 2. DI_{xn} = data-in for bank x and address n .
 3. Three subsequent elements of each burst follow each DI_{xn} and DO_{xn} .
 4. $BL = 4$.
 5. Nominal conditions are assumed for specifications not defined.

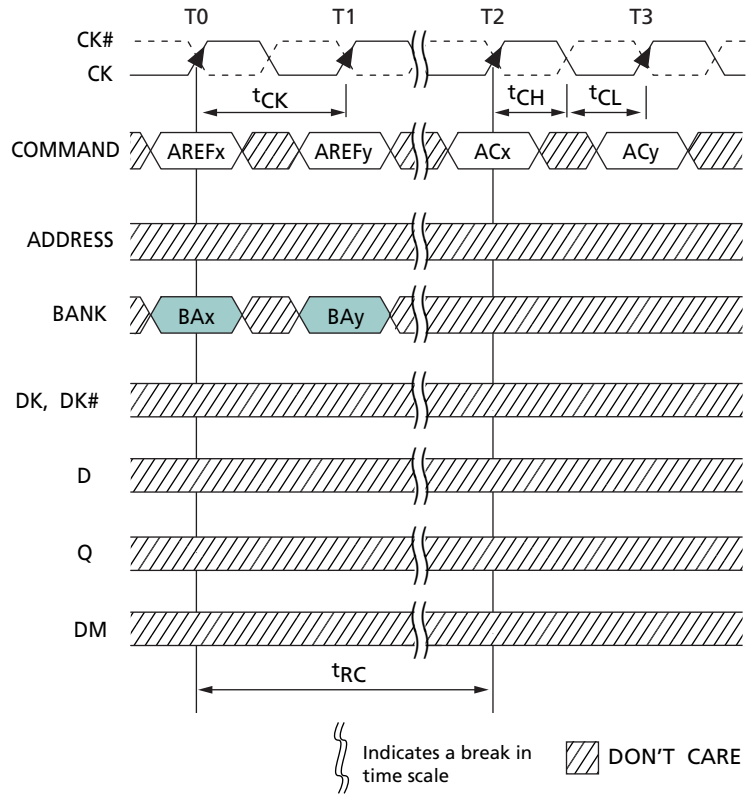
Figure 27: Read Data Valid Window for x18 Device



- Notes:
1. t_{QHP} is defined as the lesser of t_{QKH} or t_{QKL} .
 2. Minimum data valid window (t_{DVW}) can be expressed as $t_{QHP} - (t_{QKQx} [MAX] + |t_{QKQx} [MIN]|)$.
 3. t_{QKQ0} is referenced to Q0–Q8.
 4. t_{QKQ1} is referenced to Q9–Q17.
 5. t_{QKQ} takes into account the skew between any QKx and any Q.

AUTO REFRESH Operation

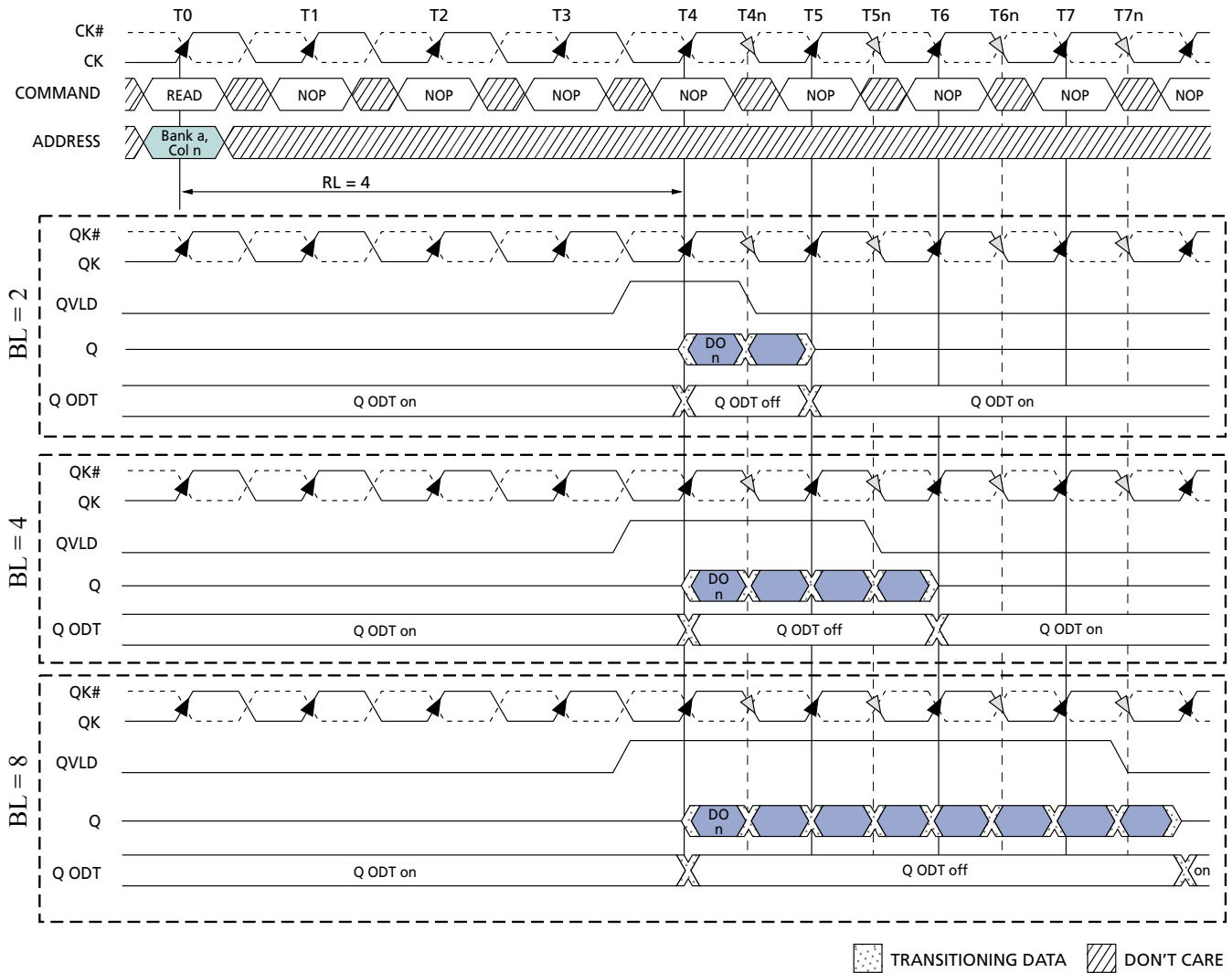
Figure 28: AUTO REFRESH Cycle



- Notes:
1. $AREF_x$ = auto refresh command to bank x .
 2. AC_x = any command to bank x ; AC_y = any command to bank y .
 3. BAX = bank address to bank x ; BAy = bank address to bank y .

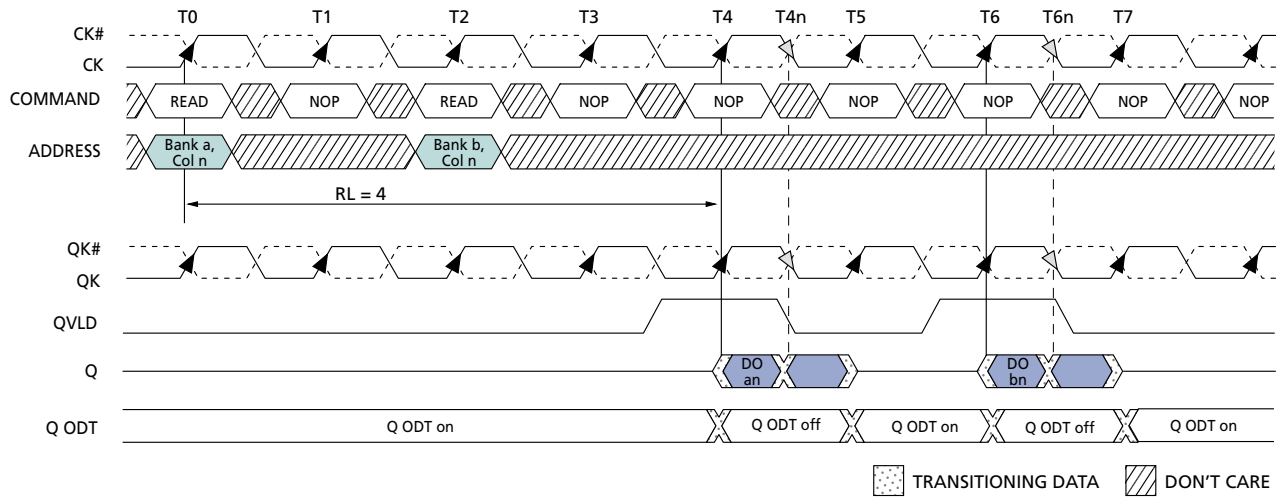
Operations with On-Die Termination

Figure 29: READ Burst with ODT



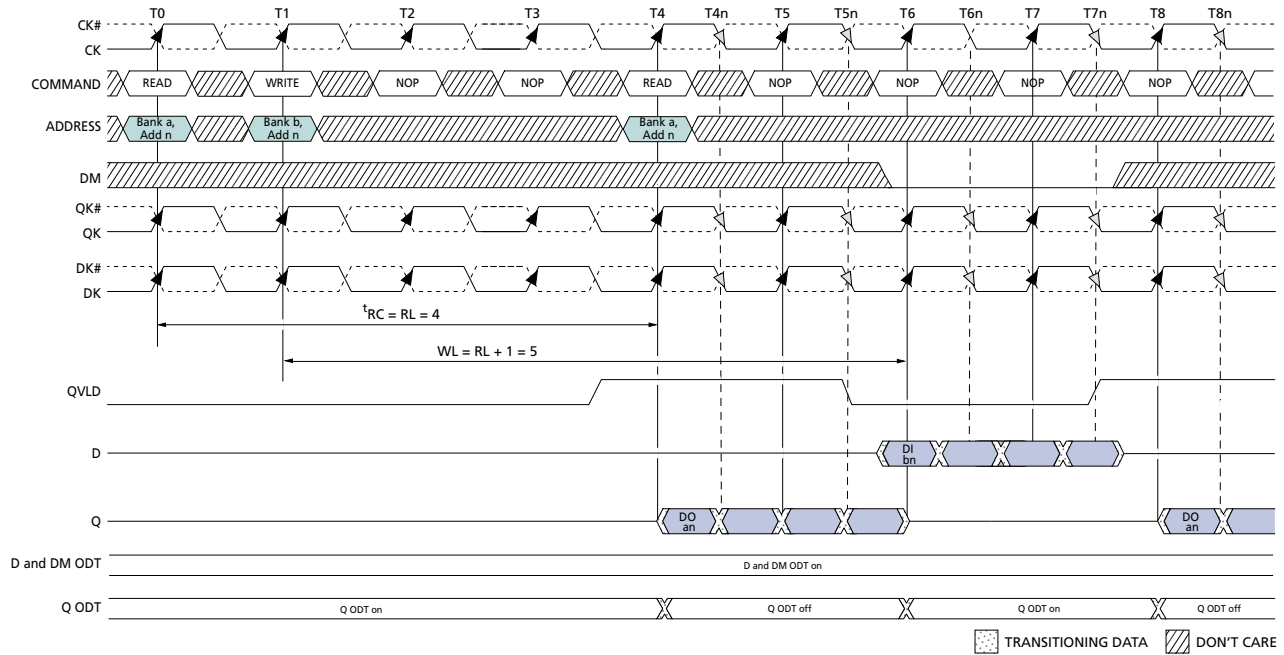
- Notes:
1. DO n = data out.
 2. DO n is followed by the remaining bits of the burst.
 3. Nominal conditions are assumed for specifications not defined.

Figure 30: READ-NOP-READ with ODT



- Notes:
1. DO *an* (or *bn*) = data-out from bank *a* (or bank *b*) and address *n*.
 2. BL = 2.
 3. One subsequent element of the burst appears after DO *an* and DO *bn*.
 4. Nominal conditions are assumed for specifications not defined.

Figure 31: READ-to-WRITE with ODT

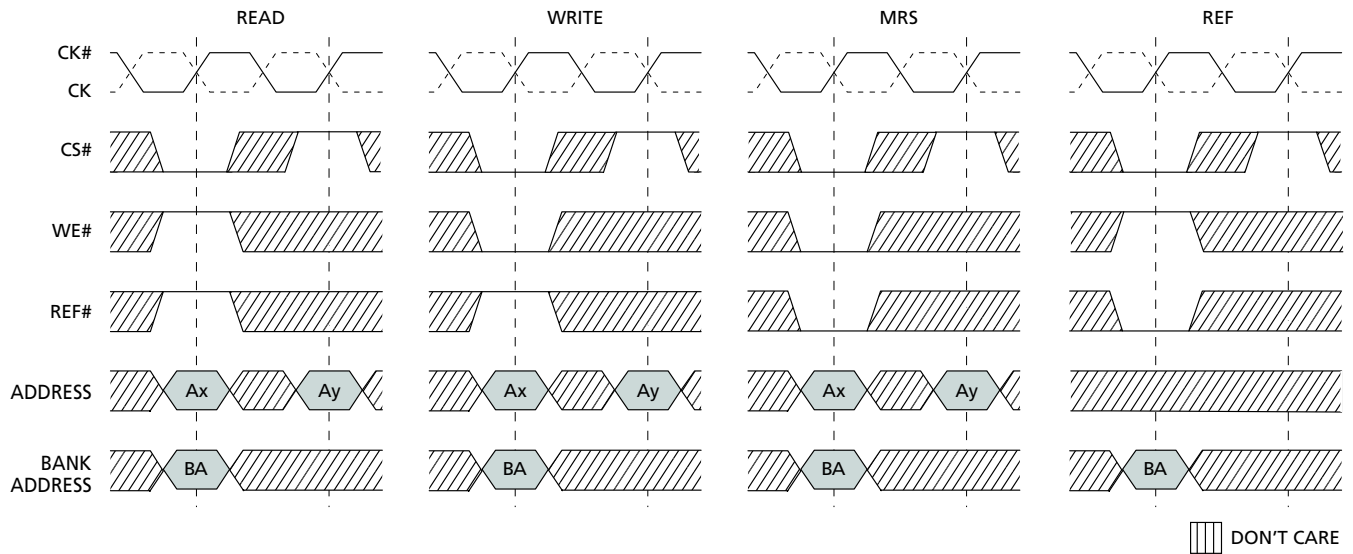


- Notes:
1. DO_{an} = data-out from bank a and address n ; DI_{bn} = data-in for bank b and address n .
 2. $BL = 4$.
 3. Three subsequent elements of each burst appear after each DO_{an} and DI_{bn} .
 4. Nominal conditions are assumed for specifications not defined.

Multiplexed Address Mode

Command Description

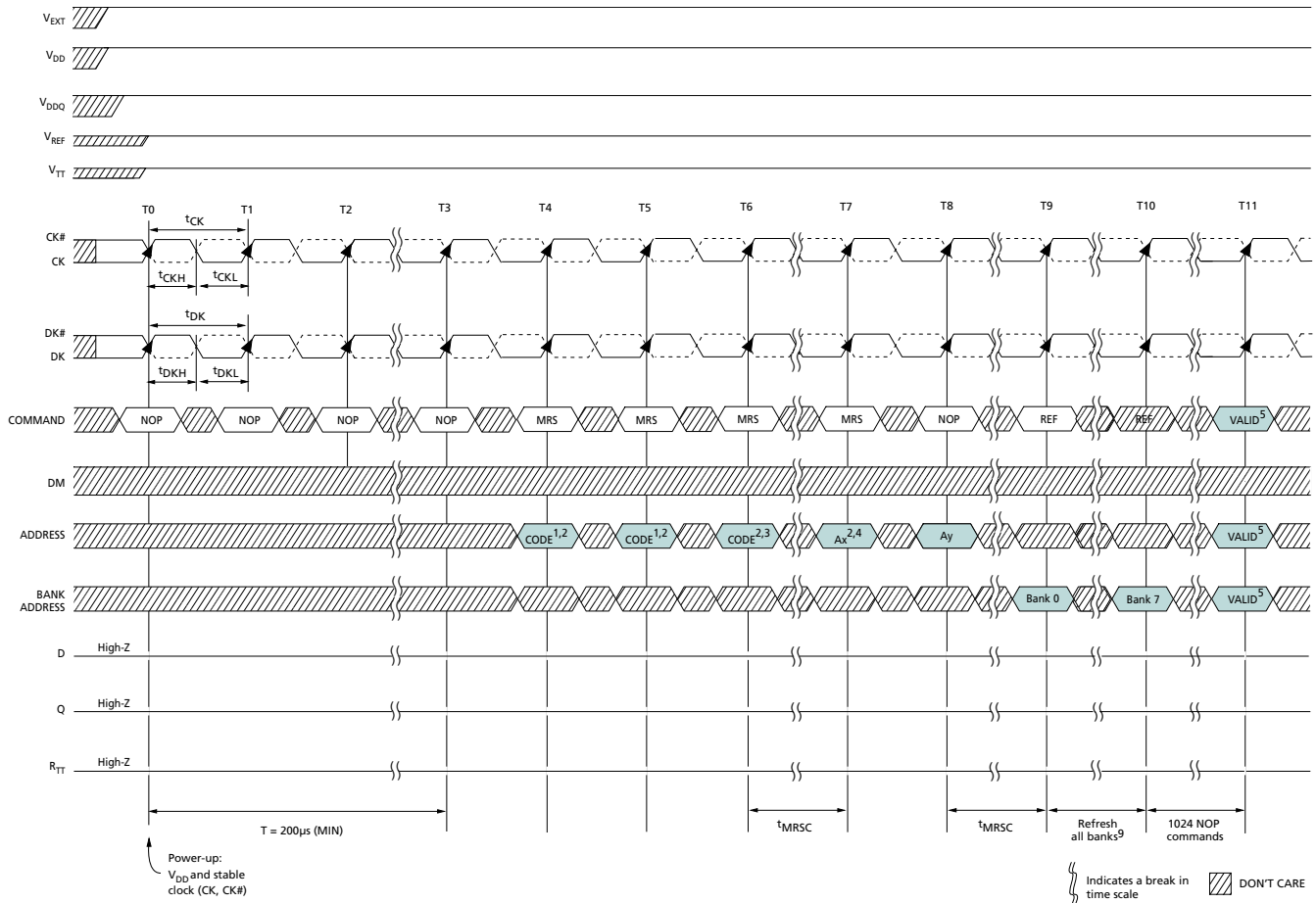
Figure 32: Command Description in Multiplexed Address Mode



Note: 1. The minimum setup and hold times of the two address parts are defined t_{AS} and t_{AH} .

Power-Up/Initialization Sequence

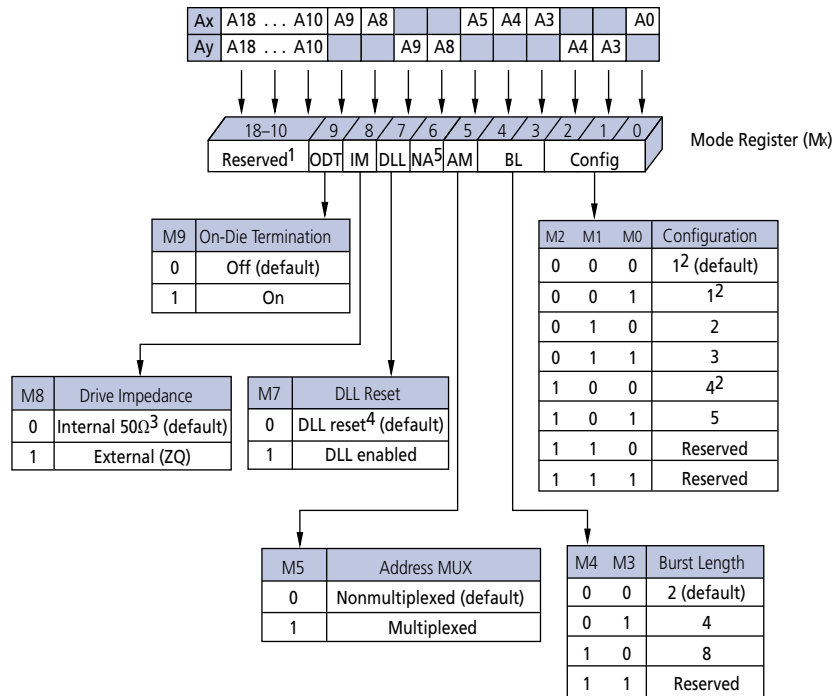
Figure 33: Power-Up/Initialization Sequence in Multiplexed Address Mode



- Notes:
1. Recommended that all address pins held low during dummy MRS commands.
 2. A10–A18 must be LOW.
 3. Set address A5 HIGH. This enables the part to enter multiplexed address mode when in non-multiplexed mode operation. Multiplexed address mode can also be entered at some later time by issuing an MRS command with A5 HIGH. Once address bit A5 is set HIGH, t_{MRSC} must be satisfied before the two-cycle multiplexed mode MRS command is issued.
 4. Address A5 must be set HIGH. This and the following step set the desired mode register once the device is in multiplexed address mode.
 5. Any command or address.
 6. The above sequence must be followed in order to power up the device in the multiplexed address mode.
 7. DLL must be reset if t_{CK} or V_{DD} are changed.
 8. CK and CK# must separated at all times to prevent bogus commands from being issued.
 9. The sequence of the eight AUTO REFRESH commands (with respect to the 1024 NOP commands) does not matter. As is required for any operation, t_{RC} must be met between an AUTO REFRESH command and a subsequent VALID command to the same bank.

Mode Register

Figure 34: Mode Register Definition in Multiplexed Address Mode



- Notes:
1. Bits A10–A18 must be set to zero.
 2. BL = 8 is not available.
 3. ±30% temperature variation.
 4. DLL RESET turns the DLL off.
 5. Ay8 not used in MRS.
 6. BA0–BA2 are “Don’t Care.”
 7. Addresses A0, A3, A4, A5, A8, and A9 must be set as shown in order to activate the mode register in the multiplexed address mode.

Address Mapping

Table 22: Address Mapping in Multiplexed Address Mode

Data Width	Burst Length	Ball	Address										
			A0	A3	A4	A5	A8	A9	A10	A13	A14	A17	A18
x18	2	Ax	A0	A3	A4	A5	A8	A9	A10	A13	A14	A17	A18
		Ay	X	A1	A2	X	A6	A7	A19	A11	A12	A16	A15
	4	Ax	A0	A3	A4	A5	A8	A9	A10	A13	A14	A17	A18
		Ay	X	A1	A2	X	A6	A7	X	A11	A12	A16	A15
	8	Ax	A0	A3	A4	A5	A8	A9	A10	A13	A14	A17	X
		Ay	X	A1	A2	X	A6	A7	X	A11	A12	A16	A15

- Notes:
1. X = "Don't Care."
 2. Ay address is reserved for A20 expansion in multiplexed mode.
 3. Ay address is reserved for A21 expansion in multiplexed mode.

Configuration Tables

In multiplexed address mode, the READ and WRITE latencies are increased by one clock cycle. However, the device cycle time remains the same as when in non-multiplexed address mode.

Table 23: Cycle Time and READ/WRITE Latency Configuration Table in Multiplexed Mode

Note 1 applies to entire table

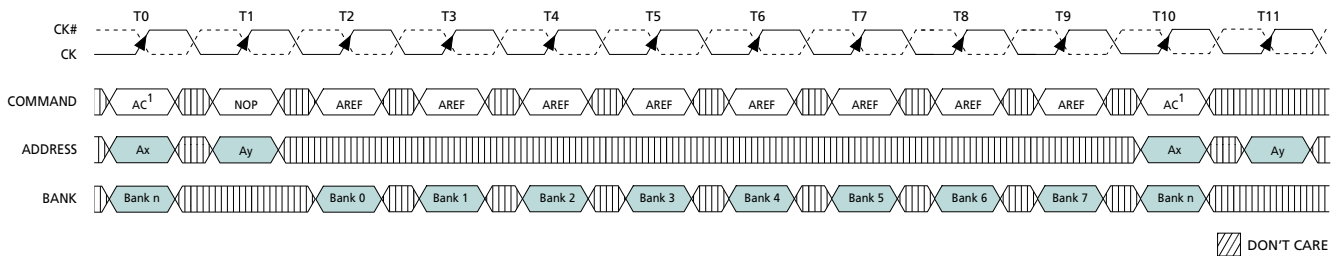
Parameter	Configuration					Units
	1 ³	2	3	4 ^{3, 4}	5	
t _{RC}	4	6	8	3	5	t _{CK}
t _{RL}	5	7	9	4	6	t _{CK}
t _{WL}	6	8	10	5	7	t _{CK}
Valid frequency range	266–175	400–175	533–175	200–175	333–175	MHz

- Notes:
1. t_{RC} < 20ns in any configuration is only available with -25E and -18 speed grades.
 2. Minimum operating frequency for -18 is 370 MHz.
 3. BL = 8 is not available.
 4. The minimum t_{RC} is typically 3 cycles, except in the case of a WRITE followed by a READ to the same bank. In this instance the minimum t_{RC} is 4 cycles.

REFRESH Command in Multiplexed Address Mode

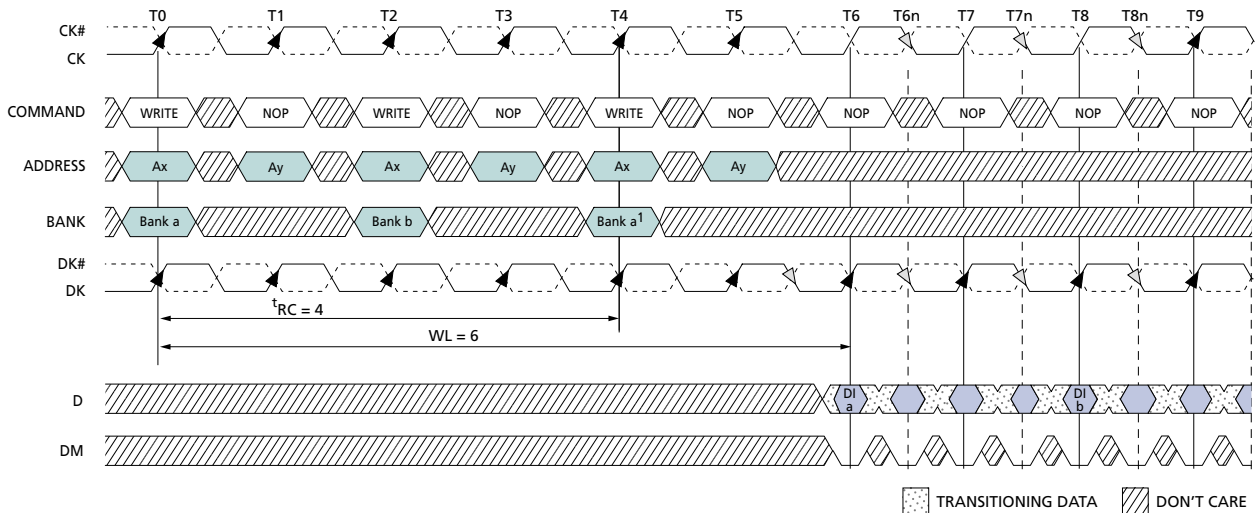
Similar to other commands when in multiplexed address mode, AREF is executed on the rising clock edge following the one on which the command is issued. However, because only the bank address is required for AREF, the next command can be applied on the following clock. The operation of the AREF command and any other command is represented in the following figure.

Figure 35: Burst REFRESH Operation with Multiplexed Addressing



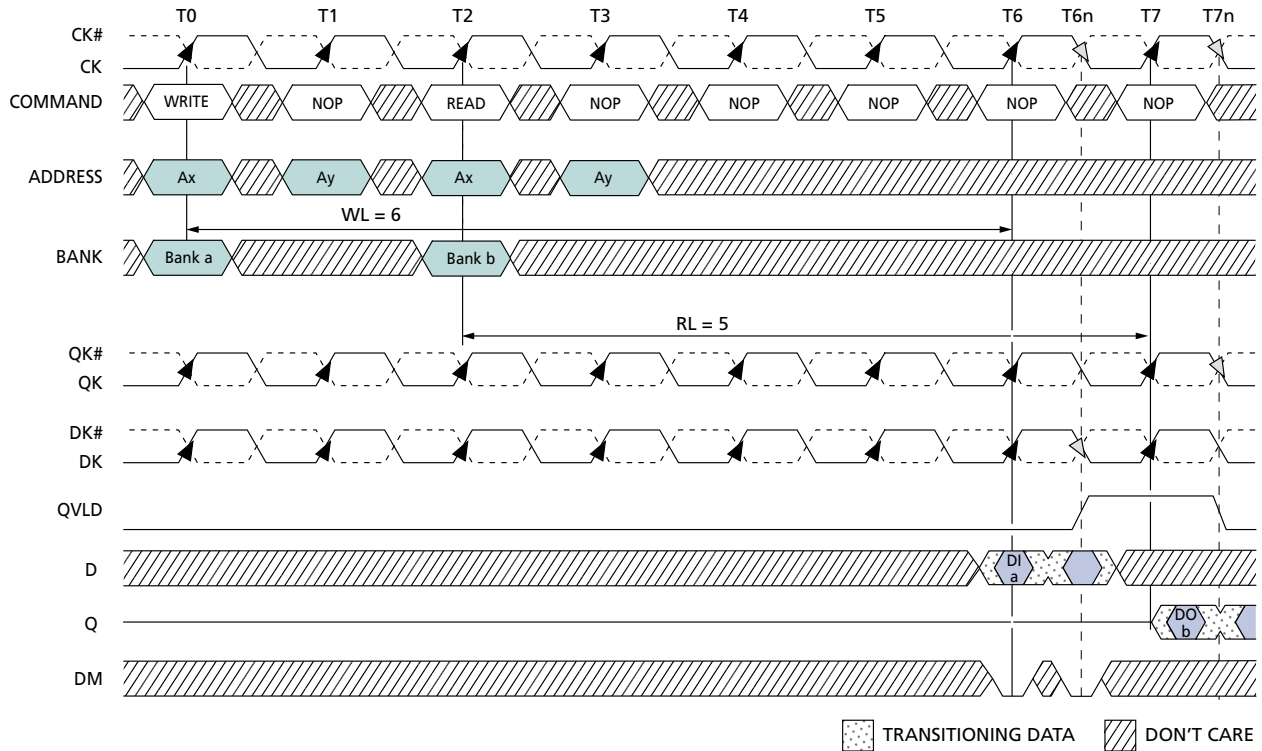
- Notes:
1. Any command.
 2. Bank *n* is chosen so that t_{RC} is met.

Figure 36: Consecutive WRITE Bursts with Multiplexed Addressing



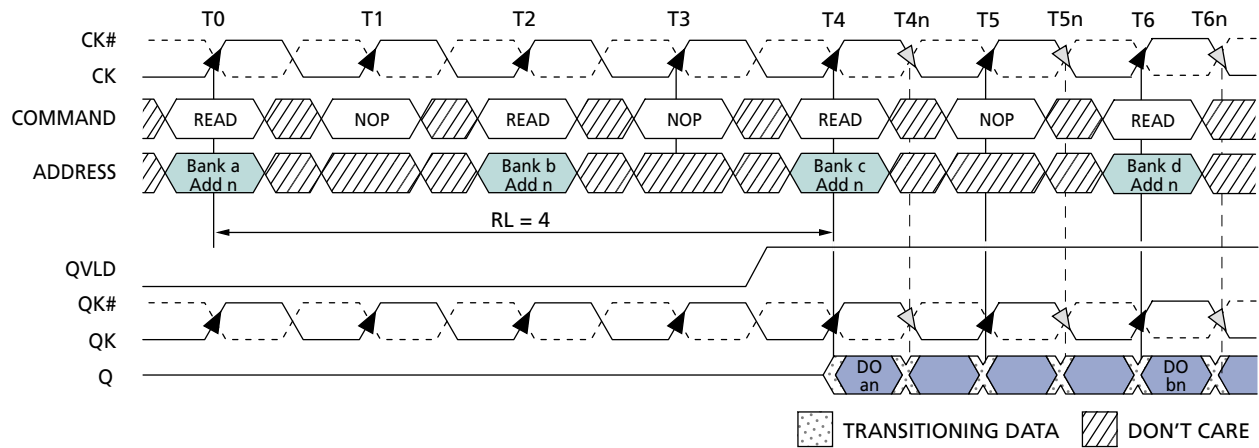
- Notes:
1. Data from the second WRITE command to bank *a* will appear on subsequent clock cycles that are not shown.
 2. $DI\ a$ = data-in for bank *a*; $DI\ b$ = data-in for bank *b*.
 3. Three subsequent elements of the burst are applied following DI for each bank.
 4. Each WRITE command may be to any bank; if the second WRITE is to the same bank, t_{RC} must be met.

Figure 37: WRITE-to-READ with Multiplexed Addressing



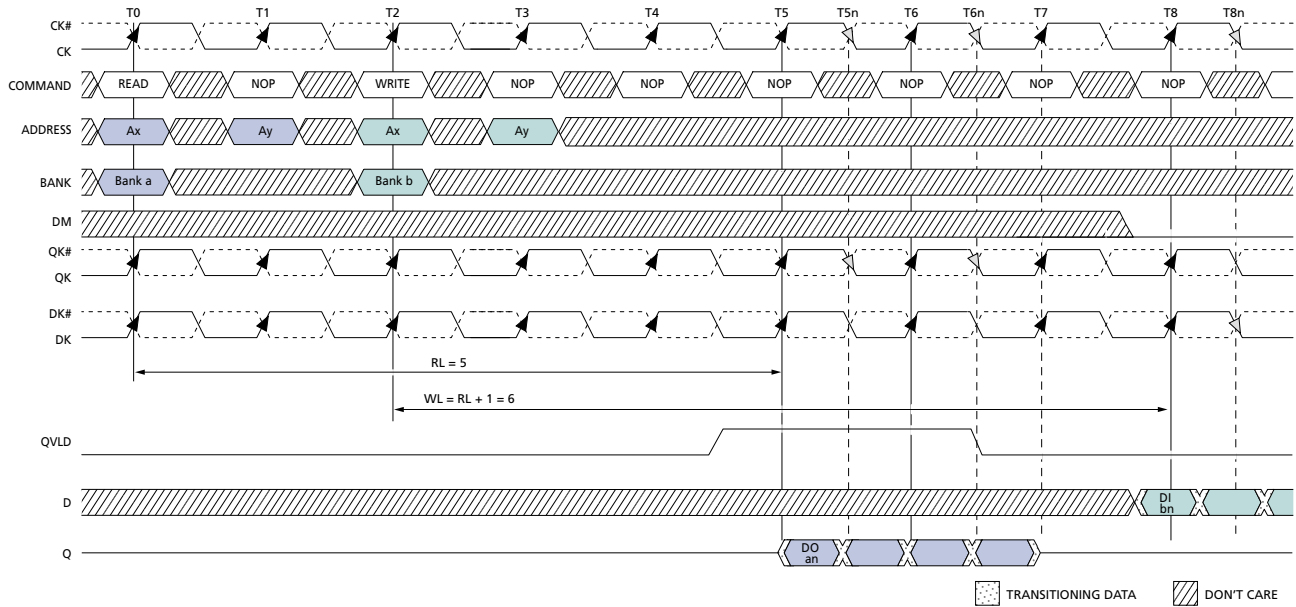
- Notes:
1. DI a = data-in for bank a.
 2. DO b = data-out from bank b.
 3. One subsequent element of each burst follows DI a and DO b.
 4. BL = 2.
 5. Nominal conditions are assumed for specifications not defined.
 6. Bank address can be to any bank, but the subsequent READ can only be to the same bank if t_{RC} has been met.

Figure 38: Consecutive READ Bursts with Multiplexed Addressing



- Notes:
1. DO a = data-out from bank a.
 2. Nominal conditions are assumed for specifications not defined.
 3. BL = 4.
 4. Three subsequent elements of the burst appear following DO a.
 5. Example applies only when READ commands are issued to same device.
 6. Bank address can be to any bank, but the subsequent READ can only be to the same bank if t_{RC} has been met.
 7. Data from the READ commands to banks b through bank d will appear on subsequent clock cycles (not shown).

Figure 39: READ-to-WRITE with Multiplexed Addressing



- Notes:
1. DO_{an} = data-out from bank a.
 2. DI_{bn} = data-in for bank b.
 3. Nominal conditions are assumed for specifications not defined.
 4. $BL = 4$.
 5. Three subsequent elements of the burst are applied following DO_{an} .
 6. Three subsequent elements of the burst which appear following DI_{bn} are not all shown.
 7. Bank address can be to any bank, but the WRITE command can only be to the same bank if t_{RC} has been met.

IEEE 1149.1 Serial Boundary Scan Test Access Port

RLDRAM incorporates a serial boundary-scan test access port (TAP) for testing connectivity once it has been mounted on a printed circuit board (PCB). As the complexity of PCB high-density surface mounting techniques increase, the boundary-scan architecture is a valuable resource for interconnectivity debug. This port operates in accordance with IEEE Standard 1149.1-2001 (JTAG) with the exception of the ZQ pin. To ensure proper boundary-scan testing of the ZQ pin, MRS bit M8 needs to be set to 0 until the JTAG testing of the pin is complete.

Note: Upon power up, the default state of MRS bit M8 is low.

If the device boundary scan register is to be used upon power up and prior to device initialization, it is imperative that the CK and CK# pins meet $V_{ID(DC)}$ or CS# be held HIGH from power up until testing. Not doing so could result in inadvertent MRS commands being loaded and subsequently causing unexpected results from address pins that are dependent upon the state of the mode register. If these measures cannot be taken, the part must be initialized prior to boundary scan testing. If a full initialization is not practical or feasible prior to boundary scan testing, a single MRS command with desired settings may be issued instead. After the single MRS command is issued, the M^{RSC} parameter must be satisfied prior to boundary scan testing.

The input signals of the test access port (TDI, TMS, and TCK) use V_{DD} as a supply, while the output signal of the TAP (TDO) uses V_{DDQ} .

The JTAG test access port utilizes the device TAP controller, from which the instruction register, boundary scan register, bypass register, and ID register can be selected.

Disabling the Serial Boundary Scan Test Access Port

It is possible to operate the device without using the JTAG feature. To disable the TAP controller, TCK must be tied LOW (V_{SS}) to prevent clocking of the device. TDI and TMS are internally pulled up and may be unconnected. They may alternately be connected to V_{DD} through a pull-up resistor. TDO should be left unconnected. Upon power-up, the device will come up in a reset state, which will not interfere with the operation of the device.

Test Access Port (TAP)

Test Clock (TCK)

The test clock is used only with the TAP controller. All inputs are captured on the rising edge of TCK. All outputs are driven from the falling edge of TCK.

Test Mode Select (TMS)

The TMS input is used to give commands to the TAP controller and is sampled on the rising edge of TCK.

All of the states in the TAP Controller State Diagram are entered through the serial input of the TMS pin. A 0 in the diagram represents a LOW on the TMS pin during the rising edge of TCK while a 1 represents a HIGH on TMS.

Test Data-In (TDI)

The TDI ball is used to serially input test instructions and data into the registers and can be connected to the input of any of the registers. The register between TDI and TDO is chosen by the instruction that is loaded into the TAP instruction register. For information on loading the instruction register, see TAP Controller State Diagram. TDI is connected to the most significant bit (MSB) of any register (see TAP Controller Block Diagram).

Test Data-Out (TDO)

The TDO output ball is used to serially clock test instructions and data out from the registers. The TDO output driver is only active during the Shift-IR and Shift-DR TAP controller states. In all other states, the TDO pin is in a High-Z state. The output changes on the falling edge of TCK. TDO is connected to the least significant bit (LSB) of any register (see the TAP Controller Block Diagram).

TAP Controller

The TAP controller is a finite state machine that uses the state of the TMS pin at the rising edge of TCK to navigate through its various modes of operation. See the TAP Controller State Diagram.

Test-Logic-Reset

The test-logic-reset controller state is entered when TMS is held HIGH for at least five consecutive rising edges of TCK. As long as TMS remains HIGH, the TAP controller will remain in the test-logic-reset state. The test logic is inactive during this state.

Run-Test/Idle

The run-test/idle is a controller state in-between scan operations. This state can be maintained by holding TMS LOW. From here either the data register scan, or subsequently, the instruction register scan, can be selected.

Select-DR-Scan

Select-DR-scan is a temporary controller state. All test data registers retain their previous state while here.

Capture-DR

The capture-DR state is where the data is parallel-loaded into the test data registers. If the boundary scan register is the currently selected register, then the data currently on the pins is latched into the test data registers.

Shift-DR

Data is shifted serially through the data register while in this state. As new data is input through the TDI pin, data is shifted out of the TDO pin.

Exit1-DR, Pause-DR, and Exit2-DR

The purpose of exit1-DR is used to provide a path to return back to the run-test/idle state (through the update-DR state). The pause-DR state is entered when the shifting of data through the test registers needs to be suspended. When shifting is to reconvene, the controller enters the exit2-DR state and then can re-enter the shift-DR state.

Update-DR

When the EXTEST instruction is selected, there are latched parallel outputs of the boundary-scan shift register that only change state during the update-DR controller state.

Instruction Register States

The instruction register states of the TAP controller are similar to the data register states. The desired instruction is serially shifted into the instruction register during the shift-IR state and is loaded during the update-IR state.

Figure 40: TAP Controller State Diagram

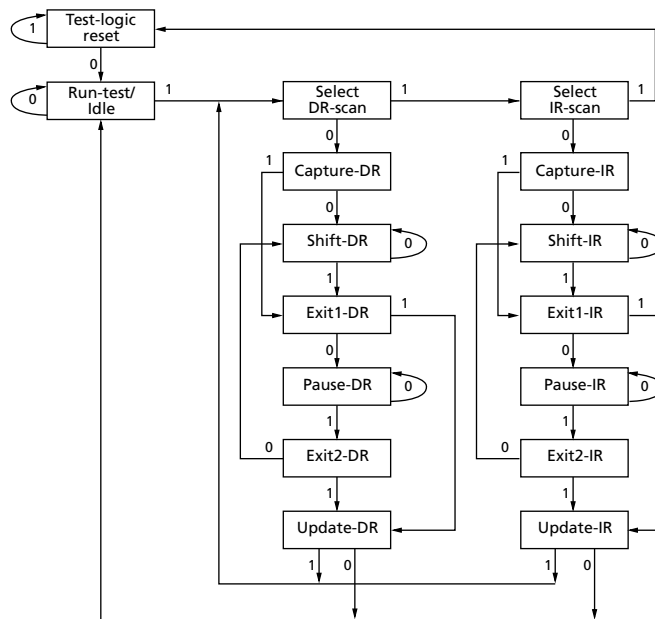
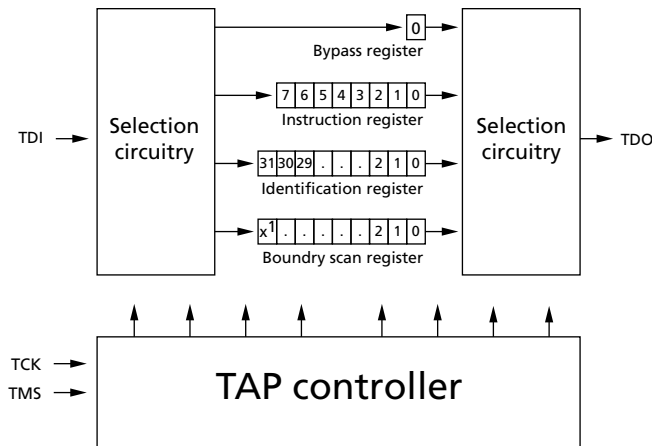


Figure 41: TAP Controller Block Diagram



Note: 1. x = 112 for all configurations.

TAP Reset

A reset is performed by forcing TMS HIGH (V_{DDQ}) for five rising edges of TCK. The reset does not affect the operation of the RLD RAM and may be performed while the RLD RAM is operating. At power-up, the TAP is reset internally to ensure that TDO comes up in a High-Z state.

TAP Registers

Registers are connected between the TDI and TDO balls and allow data to be scanned into and out of the device test circuitry. Only one register can be selected at a time through the instruction register. Data is serially loaded into the TDI ball on the rising edge of TCK. Data is output on the TDO ball on the falling edge of TCK.

Instruction Register

Eight-bit instructions can be serially loaded into the instruction register. This register is loaded during the update-IR state of the TAP controller. Upon power-up, the instruction register is loaded with the IDCODE instruction. It is also loaded with the IDCODE instruction if the controller is placed in a reset state as described in the previous section.

When the TAP controller is in the capture-IR state, the two least significant bits are loaded with a binary 01 pattern to allow for fault isolation of the board-level serial test data path.

Bypass Register

To save time when serially shifting data through registers, it is sometimes advantageous to skip certain chips. The bypass register is a single-bit register that can be placed between the TDI and TDO balls. This allows data to be shifted through the device with minimal delay. The bypass register is set LOW (V_{SS}) when the BYPASS instruction is executed.

Boundary Scan Register

The boundary scan register is connected to all the input and bidirectional balls on the device. Several balls are also included in the scan register to reserved balls. The device has a 113-bit register.

The boundary scan register is loaded with the contents of the RAM I/O ring when the TAP controller is in the capture-DR state and is then placed between the TDI and TDO balls when the controller is moved to the shift-DR state.

The Boundary Scan (Exit) Order table shows the order in which the bits are connected. Each bit corresponds to one of the balls on the device package. The most significant bit of the register is connected to TDI, and the least significant bit is connected to TDO.

Identification (ID) Register

The ID register is loaded with a vendor-specific, 32-bit code during the capture-DR state when the IDCODE command is loaded in the instruction register. The IDCODE is hardwired into the device and can be shifted out when the TAP controller is in the shift-DR state. The ID register has a vendor code and other information described in the Identification Register Definitions table.

TAP Instruction Set

Many different TAP instructions (2^8) are possible with the 8-bit instruction register. All combinations used are listed in the table here, followed by detailed descriptions. Remaining instructions are reserved and should not be used. The TAP controller used in this device is fully compliant to the 1149.1 convention.

Instructions are loaded into the TAP controller during the shift-IR state when the instruction register is placed between TDI and TDO. During this state, instructions are shifted through the instruction register through the TDI and TDO balls. To execute the instruction once it is shifted in, the TAP controller needs to be moved into the update-IR state.

Table 24: Instruction Codes

Instruction	Code	Description
Extest	0000 0000	Captures I/O ring contents; Places the boundary scan register between TDI and TDO; This operation does not affect device operations
ID code	0010 0001	Loads the ID register with the vendor ID code and places the register between TDI and TDO; This operation does not affect device operations
Sample/preload	0000 0101	Captures I/O ring contents; Places the boundary scan register between TDI and TDO
Clamp	0000 0111	Selects the bypass register to be connected between TDI and TDO; Data driven by output balls are determined from values held in the boundary scan register
High-Z	0000 0011	Selects the bypass register to be connected between TDI and TDO; All outputs are forced into High-Z
Bypass	1111 1111	Places the bypass register between TDI and TDO; This operation does not affect device operations

EXTEST

The EXTEST instruction allows circuitry external to the component package to be tested. Boundary-scan register cells at output balls are used to apply a test vector, while those at input balls capture test results. Typically, the first test vector to be applied using the EXTEST instruction will be shifted into the boundary scan register using the PRELOAD instruction. Thus, during the update-IR state of EXTEST, the output driver is turned on, and the PRELOAD data is driven onto the output balls.

IDCODE

The IDCODE instruction causes a vendor-specific, 32-bit code to be loaded into the instruction register. It also places the instruction register between the TDI and TDO balls and allows the IDCODE to be shifted out of the device when the TAP controller enters the shift-DR state. The IDCODE instruction is loaded into the instruction register upon power-up or whenever the TAP controller is given a test logic reset state.

SAMPLE/PRELOAD

When the SAMPLE/PRELOAD instruction is loaded into the instruction register and the TAP controller is in the capture-DR state, a snapshot of data on the inputs and bidirectional balls is captured in the boundary scan register.

The user must be aware that the TAP controller clock can only operate at a frequency up to 50 MHz, while the RLDRAM clock operates significantly faster. Because there is a large difference between the clock frequencies, it is possible that during the capture-DR state, an input or output will undergo a transition. The TAP may then try to capture a signal while in transition (metastable state). This will not harm the device, but there is no guarantee as to the value that will be captured. Repeatable results may not be possible.

To ensure that the boundary scan register will capture the correct value of a signal, the signal must be stabilized long enough to meet the TAP controller's capture setup plus hold time (t_{CS} plus t_{CH}). The RLDRAM clock input might not be captured correctly if there is no way in a design to stop (or slow) the clock during a SAMPLE/PRELOAD instruction. If this is an issue, it is still possible to capture all other signals and simply ignore the value of the CK and CK# captured in the boundary scan register.

Once the data is captured, it is possible to shift out the data by putting the TAP into the shift-DR state. This places the boundary scan register between the TDI and TDO balls.

CLAMP

When the CLAMP instruction is loaded into the instruction register, the data driven by the output balls are determined from the values held in the boundary scan register.

High-Z

The High-Z instruction causes the boundary scan register to be connected between the TDI and TDO. This places all outputs into a High-Z state.

BYPASS

When the BYPASS instruction is loaded in the instruction register and the TAP is placed in a shift-DR state, the bypass register is placed between TDI and TDO. The advantage of the BYPASS instruction is that it shortens the boundary scan path when multiple devices are connected together on a board.

Reserved for Future Use

The remaining instructions are not implemented but are reserved for future use. Do not use these instructions.

Figure 42: JTAG Operation – Loading Instruction Code and Shifting Out Data

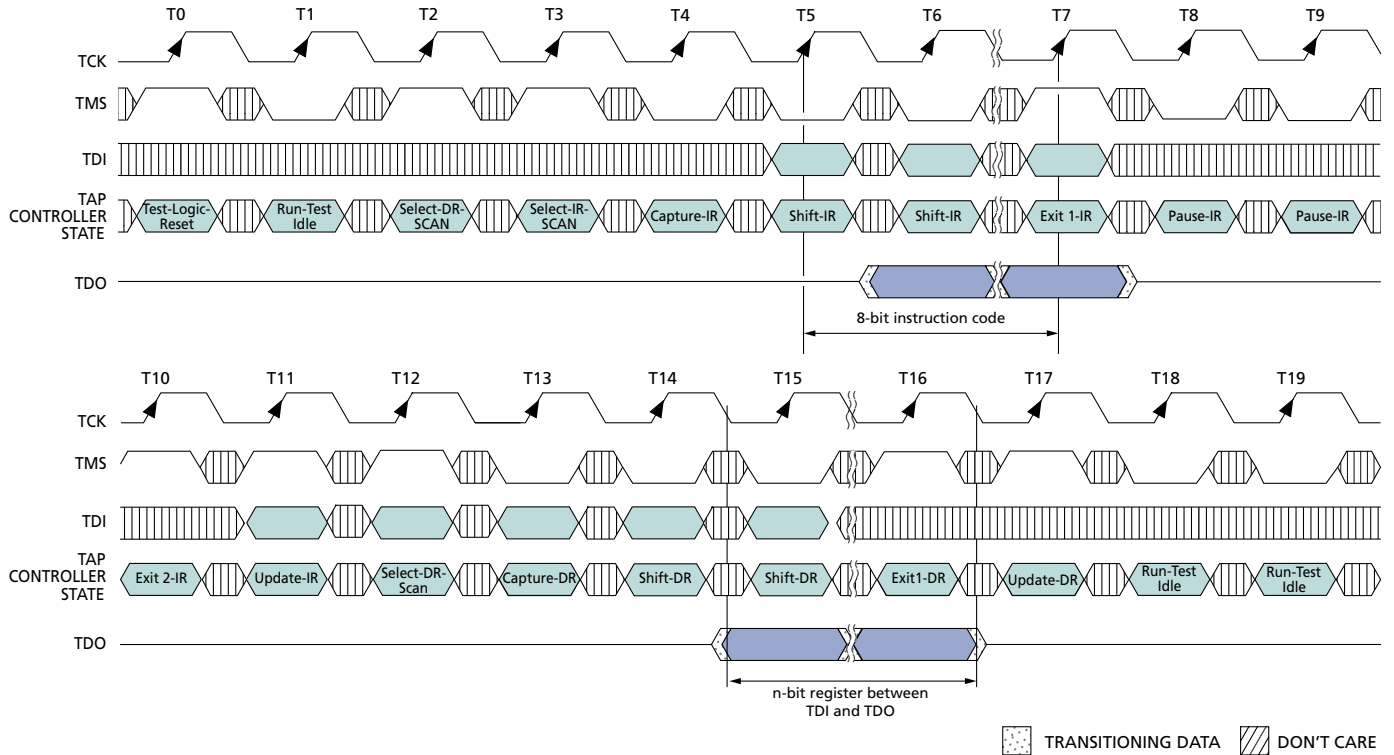


Figure 43: TAP Timing

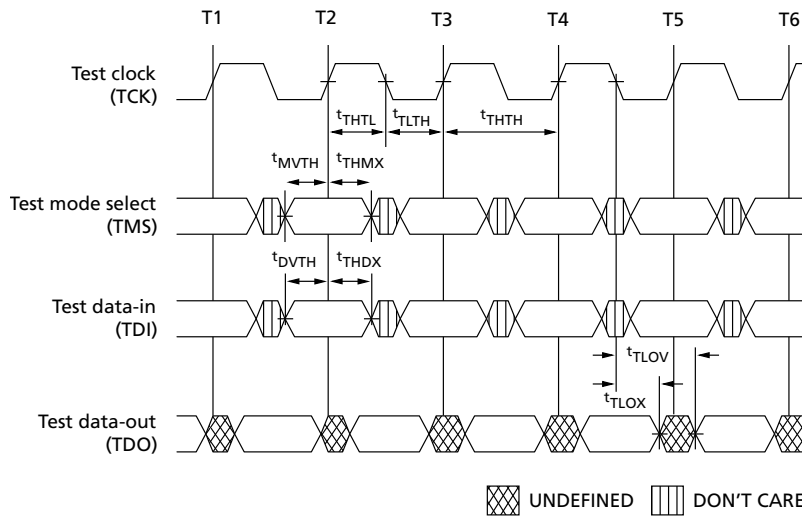


Table 25: TAP Input AC Logic Levels
 $+0^{\circ}\text{C} \leq T_C \leq +95^{\circ}\text{C}; +1.7\text{V} \leq V_{DD} \leq +1.9\text{V}$, unless otherwise noted

Description	Symbol	Min	Max	Units
Input high (logic 1) voltage	V_{IH}	$V_{REF} + 0.3$	–	V
Input low (logic 0) voltage	V_{IL}	–	$V_{REF} - 0.3$	V

Table 26: TAP AC Electrical Characteristics
Note:

 All voltages referenced to V_{SS} (GND); $+0^{\circ}\text{C} \leq T_C \leq +95^{\circ}\text{C}; +1.7\text{V} \leq V_{DD} \leq +1.9\text{V}$

Description	Symbol	Min	Max	Units
Clock				
Clock cycle time	t_{THTH}	20		ns
Clock frequency	f_{TF}		50	MHz
Clock HIGH time	t_{HTL}	10		ns
Clock LOW time	t_{LTH}	10		ns
TDI/TDO times				
TCK LOW to TDO unknown	t_{TLOX}	0		ns
TCK LOW to TDO valid	t_{TLOV}		10	ns
TDI valid to TCK HIGH	t_{DVTH}	5		ns
TCK HIGH to TDI invalid	t_{THDX}	5		ns
Setup times				
TMS setup	t_{MVTH}	5		ns
Capture setup	t_{CS}	5		ns
Hold times				
TMS hold	t_{THMX}	5		ns
Capture hold	t_{CH}	5		ns

Note: 2. t_{CS} and t_{CH} refer to the setup and hold time requirements of latching data from the boundary scan register.

Table 27: TAP DC Electrical Characteristics and Operating Conditions
 $+0^{\circ}\text{C} \leq T_C \leq +95^{\circ}\text{C}$; $+1.7\text{V} \leq V_{DD} \leq +1.9\text{V}$, unless otherwise noted; All voltages referenced to V_{SS} (GND)

Description	Condition	Symbol	Min	Max	Units	Notes
Input high (logic 1) voltage	–	V_{IH}	$V_{REF} + 0.15$	$V_{DD} + 0.3$	V	1, 2
Input low (logic 0) voltage	–	V_{IL}	$V_{SSQ} - 0.3$	$V_{REF} - 0.15$	V	1, 2
Input leakage current	$0\text{V} \leq V_{IN} \leq V_{DD}$	I_{LI}	–5.0	5.0	μA	
Output leakage current	Output disabled, $0\text{V} \leq V_{IN} \leq V_{DDQ}$	I_{IO}	–5.0	5.0	μA	
Output low voltage	$I_{OLc} = 100\mu\text{A}$	V_{OL1}		0.2	V	1
Output low voltage	$I_{OLt} = 2\text{mA}$	V_{OL2}		0.4	V	1
Output high voltage	$ I_{OHc} = 100\mu\text{A}$	V_{OH1}	$V_{DDQ} - 0.2$		V	1
Output high voltage	$ I_{OHt} = 2\text{mA}$	V_{OH2}	$V_{DDQ} - 0.4$		V	1

Note: 1. Overshoot = $V_{IH(AC)} \leq V_{DD} + 0.7\text{V}$ for $t \leq t_{CK/2}$; undershoot = $V_{IL(AC)} \geq -0.5\text{V}$ for $t \leq t_{CK/2}$; during normal operation, V_{DDQ} must not exceed V_{DD} .

Table 28: Identification Register Definitions

Instruction Field	All Devices	Description
Revision number (31:28)	abcd	ab = 00 for Die Rev. A, 01 for Die Rev. B cd = 00 for x9, 01 for x18, 10 for x36
Device ID (27:12)	00jkidef10100111	def = 000 for 288Mb, 001 for 576Mb i = 0 for common I/O, 1 for separate I/O jk = 01 for RLDRAM 2, 00 for RLDRAM
Micron JEDEC ID code (11:1)	00000101100	Allows unique identification of RLDRAM vendor
ID register presence indicator (0)	1	Indicates the presence of an ID register

Table 29: Scan Register Sizes

Register Name	Bit Size
Instruction	8
Bypass	1
ID	32
Boundary scan	113

Table 30: Boundary Scan (Exit) Order

Bit#	Ball	Bit#	Ball	Bit#	Ball
1	K1	39	R11	77	C11
2	K2	40	R11	78	C11
3	L2	41	P11	79	C10
4	L1	42	P11	80	C10



Table 30: Boundary Scan (Exit) Order (Continued)

Bit#	Ball	Bit#	Ball	Bit#	Ball
5	M1	43	P10	81	B11
6	M3	44	P10	82	B11
7	M2	45	N11	83	B10
8	N1	46	N11	84	B10
9	P1	47	N10	85	B3
10	N3	48	N10	86	B3
11	N3	49	P12	87	B2
12	N2	50	N12	88	B2
13	N2	51	M11	89	C3
14	P3	52	M10	90	C3
15	P3	53	M12	91	C2
16	P2	54	L12	92	C2
17	P2	55	L11	93	D3
18	R2	56	K11	94	D3
19	R3	57	K12	95	D2
20	T2	58	J12	96	D2
21	T2	59	J11	97	E2
22	T3	60	H11	98	E2
23	T3	61	H12	99	E3
24	U2	62	G12	100	E3
25	U2	63	G10	101	F2
26	U3	64	G11	102	F2
27	U3	65	E12	103	F3
28	V2	66	F12	104	F3
29	U10	67	F10	105	E1
30	U10	68	F10	106	F1
31	U11	69	F11	107	G2
32	U11	70	F11	108	G3
33	T10	71	E10	109	G1
34	T10	72	E10	110	H1
35	T11	73	E11	111	H2
36	T11	74	E11	112	J2
37	R10	75	D11	113	J1
38	R10	76	D10	-	-

Note: 1. Any unused balls in the order will read as a logic "0."



8000 S. Federal Way, P.O. Box 6, Boise, ID 83707-0006, Tel: 208-368-4000
www.micron.com/products/support Sales inquiries: 800-932-4992
Micron and the Micron logo are trademarks of Micron Technology, Inc.
All other trademarks are the property of their respective owners.

This data sheet contains minimum and maximum limits specified over the power supply and temperature range set forth herein.
Although considered final, these specifications are subject to change, as further product development and data characterization some-
times occur.