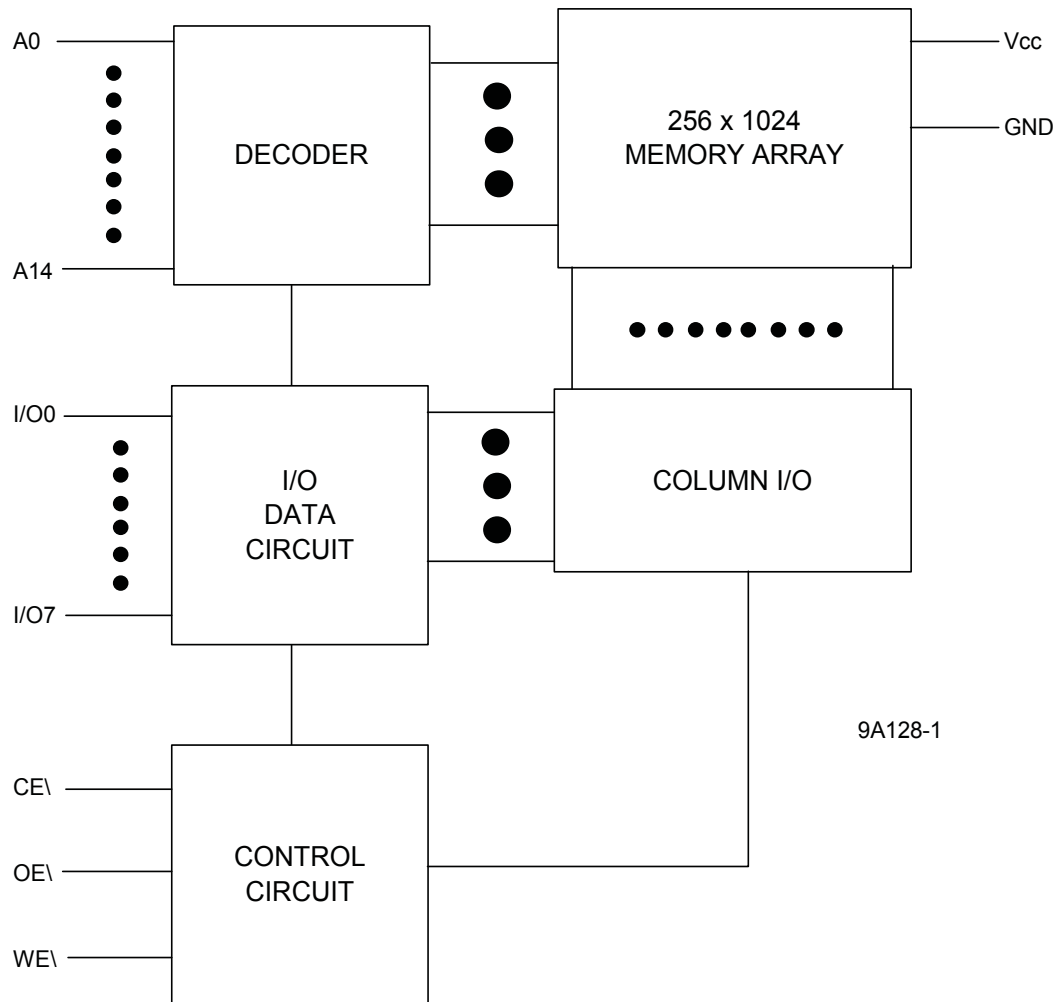




## FUNCTIONAL BLOCK DIAGRAM



## TRUTH TABLE

MODE	OE\	CE\	WE\	DQ	POWER
STANDBY	X	H	X	HIGH-Z	STANDBY
READ	L	L	H	Q	ACTIVE
READ	H	L	H	HIGH-Z	ACTIVE
WRITE	X	L	L	D	ACTIVE

**ABSOLUTE MAXIMUM RATINGS\***

Voltage on Any Input or DQ Relative to Vss...-0.5V to Vcc +0.5V  
 Voltage on Vcc Supply Relative to Vss.....-1V to +7V  
 Storage Temperature.....-65°C to +150°C  
 Power Dissipation.....1W  
 Short Circuit Output Current.....50mA  
 Lead Temperature (soldering 10 seconds).....+260°C  
 Max. Junction Temperature.....+175°C

\*Stresses greater than those listed under “Absolute Maximum Ratings” may cause permanent damage to the device. This is a stress rating only and functional operation of the device at these or any other conditions above those indicated in the operation section of this specification is not implied. Exposure to absolute maximum rating conditions for extended periods may affect reliability.

**ELECTRICAL CHARACTERISTICS AND RECOMMENDED DC OPERATING CONDITIONS**

(-55°C ≤ T<sub>c</sub> ≤ 125°C or -40°C to +85°C; V<sub>CC</sub> = 5.0V ±10%)

DESCRIPTION	CONDITIONS	SYM	MIN	MAX	UNITS	NOTES
Input High (Logic 1) Voltage		V <sub>IH</sub>	2.2	V <sub>CC</sub> +0.5	V	1
Input Low (Logic 0) Voltage		V <sub>IL</sub>	-0.5	0.8	V	1,2
Input Leakage Current	0V ≤ V <sub>IN</sub> ≤ V <sub>CC</sub>	I <sub>LI</sub>	-10	10	μA	
Output Leakage Current	Output(s) disabled 0V ≤ V <sub>OUT</sub> ≤ V <sub>CC</sub>	I <sub>LO</sub>	-10	10	μA	
Output High Voltage	I <sub>OH</sub> = -4.0mA	V <sub>OH</sub>	2.4		V	1
Output Low Voltage	I <sub>OL</sub> = 8.0mA	V <sub>OL</sub>		0.4	V	1

DESCRIPTION	CONDITIONS	SYM	MAX						UNITS	NOTES
			-12	-15	-20	-25	-35	-45		
Power Supply Current: Operating	CE ≤ V <sub>IL</sub> ; V <sub>CC</sub> = MAX f = MAX = 1/τ <sub>RC</sub> (MIN) Output Open	I <sub>CC</sub>	190	180	170	160	150	150	mA	3
Power Supply Current: Standby	TTL CE ≤ V <sub>IH</sub> ; Outputs Open V <sub>CC</sub> = MAX	I <sub>SBT</sub>	60	50	40	35	35	35	mA	
	CMOS CE ≥ V <sub>CC</sub> -0.2V; V <sub>CC</sub> = MAX V <sub>IN</sub> ≤ +0.2V or ≥ V <sub>CC</sub> -0.2V; f = 0 Hz, Outputs Open	I <sub>SBC</sub>	20	20	20	20	20	20	mA	
	"L" Version Only	I <sub>SBC2</sub>	4	4	4	4	4	4	mA	

**CAPACITANCE**

PARAMETER	CONDITIONS	SYM	MAX	UNITS	NOTES
Input Capacitance	T <sub>A</sub> = 25°C, f = 1MHz V <sub>CC</sub> = 5V	C <sub>IN</sub>	11	pF	4
Output Capacitance		C <sub>IO</sub>	11	pF	4

**ELECTRICAL CHARACTERISTICS AND RECOMMENDED AC OPERATING CONDITIONS**

 (Note 5) ( $-55^{\circ}\text{C} \leq T_c \leq 125^{\circ}\text{C}$  or  $-40^{\circ}\text{C}$  to  $+85^{\circ}\text{C}$ ;  $V_{CC} = 5.0\text{V} \pm 10\%$ )

DESCRIPTION	SYM	-12		-15		-20		-25		-35		-45		UNITS	NOTES
		MIN	MAX	MIN	MAX	MIN	MAX	MIN	MAX	MIN	MAX	MIN	MAX		
<b>READ CYCLE</b>															
READ cycle time	$t_{RC}$	12		15		20		25		35		45		ns	
Address access time	$t_{AA}$		12		15		20		25		35		45	ns	
Chip enable access time	$t_{ACE}$		12		15		20		25		35		45	ns	
Output hold from address change	$t_{OH}$	2		3		3		3		3		3		ns	
Chip enable to output in Low-Z	$t_{LZCE}$	2		3		3		3		3		3		ns	7
Chip disable to output in High-Z	$t_{HZCE}$		7		10		10		15		35		20	ns	6, 7
Output enable to access time	$t_{AOE}$		6		8		10		15		20		20	ns	
Output enable to output in Low-Z	$t_{LZOE}$	0		0		0		0		2		0		ns	
Output disable to output in High-Z	$t_{HZOE}$		7		10		10		15		35		20	ns	6
<b>WRITE CYCLE</b>															
WRITE cycle time	$t_{WC}$	12		15		20		25		35		45		ns	
Chip enable to end of write	$t_{CW}$	10		12		15		20		30		40		ns	
Address valid to end of write	$t_{AW}$	10		12		15		20		30		40		ns	
Address setup time	$t_{AS}$	0		0		0		0		0		0		ns	
Address hold from end of write	$t_{AH}$	2		0		0		0		0		0		ns	
WRITE pulse width	$t_{WP}$	10		12		15		20		30		40		ns	
Data setup time	$t_{DS}$	8		10		10		15		20		20		ns	
Data hold time	$t_{DH}$	0		0		0		0		0		3		ns	
Write disable to output in Low-Z	$t_{LZWE}$	0		0		0		3		3		3		ns	7
Write enable to output in High-Z	$t_{HZWE}$		7		10		10		15		35		20	ns	6, 7

### AC TEST CONDITIONS

Input pulse levels.....	V <sub>ss</sub> to 3V
Input rise and fall times.....	5ns
Input timing reference level.....	1.5V
Output reference level.....	1.5V
Output load.....	See figures 1 & 2

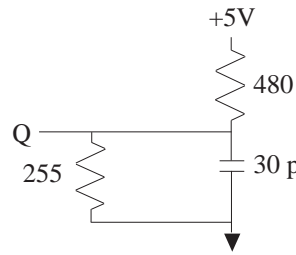


Fig. 1  
OUTPUT LOAD  
EQUIVALENT

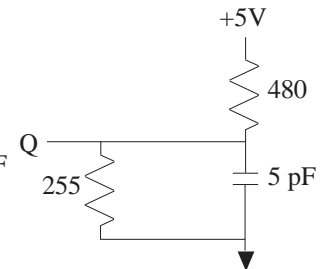


Fig. 2  
OUTPUT LOAD  
EQUIVALENT

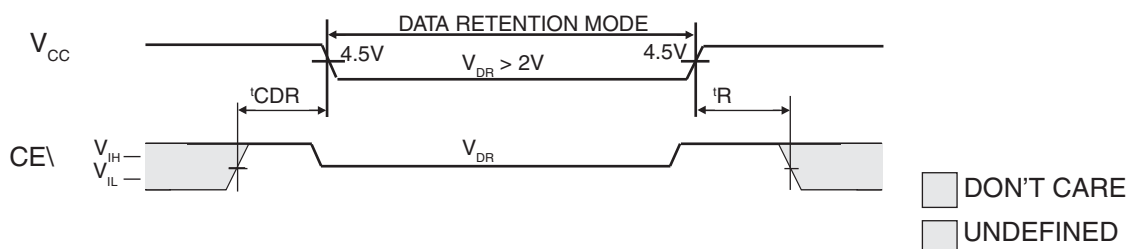
### NOTES

- All voltages referenced to V<sub>ss</sub> (GND).
- 3V for pulse width < 20ns
- I<sub>cc</sub> is dependent on output loading and cycle rates. The specified value applies with the outputs unloaded, and  $f = \frac{1}{RC} \text{ Hz}$ .
- This parameter is guaranteed but not tested.
- Test conditions as specified with the output loading as shown in Fig. 1 unless otherwise noted.
- <sup>t</sup>HZCE, <sup>t</sup>HZOE and <sup>t</sup>HZWE are specified with CL = 5pF as in Fig. 2. Transition is measured ±500mV typical from steady state voltage, allowing for actual tester RC time constant.
- At any given temperature and voltage condition, <sup>t</sup>HZCE is less than <sup>t</sup>LZCE, and <sup>t</sup>HZWE is less than <sup>t</sup>LZWE.
- WE<sub>0</sub> is HIGH for READ cycle.
- Device is continuously selected. Chip enables and output enables are held in their active state.
- Address valid prior to, or coincident with, latest occurring chip enable.
- <sup>t</sup>RC = Read Cycle Time.
- Chip enable (CE<sub>0</sub>) and write enable (WE<sub>0</sub>) can initiate and terminate a WRITE cycle.

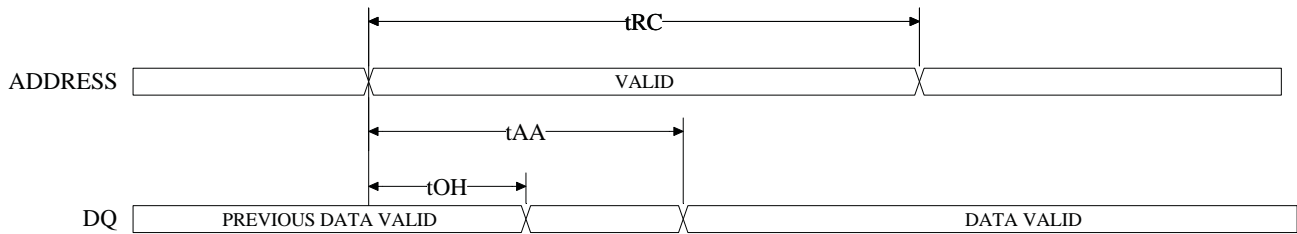
### DATA RETENTION ELECTRICAL CHARACTERISTICS (L Version Only)

DESCRIPTION	CONDITIONS	SYM	MIN	MAX	UNITS	NOTES
V <sub>CC</sub> for Retention Data		V <sub>DR</sub>	2		V	
Data Retention Current	CE <sub>0</sub> ≥ (V <sub>CC</sub> -0.2V) V <sub>IN</sub> ≥ (V <sub>CC</sub> -0.2V) or ≤ 0.2V	I <sub>CCDR</sub>		1	mA	
Chip Deselect to Data Retention Time		t <sub>CDR</sub>	0	--	ns	4
Operation Recovery Time		t <sub>R</sub>	t <sub>RC</sub>		ns	4, 11

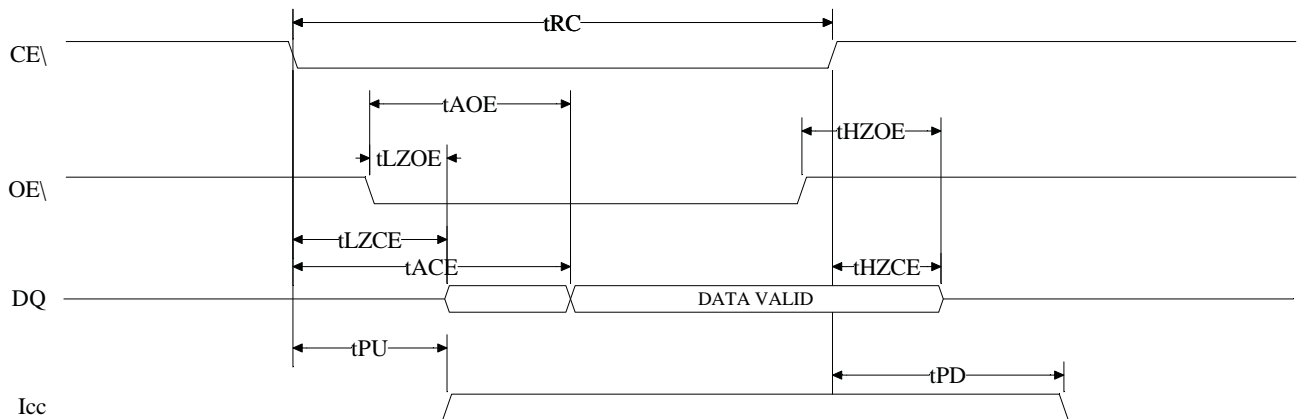
### LOW V<sub>CC</sub> DATA RETENTION WAVEFORM



**READ CYCLE NO. 1** <sup>8,9</sup>

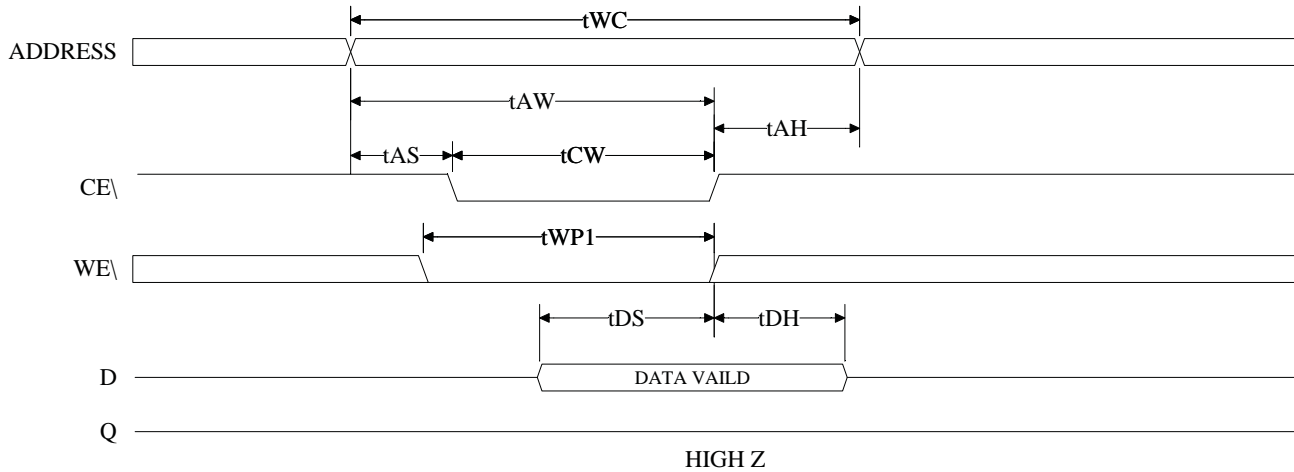


**READ CYCLE NO. 2** <sup>7, 8, 10, 12</sup>

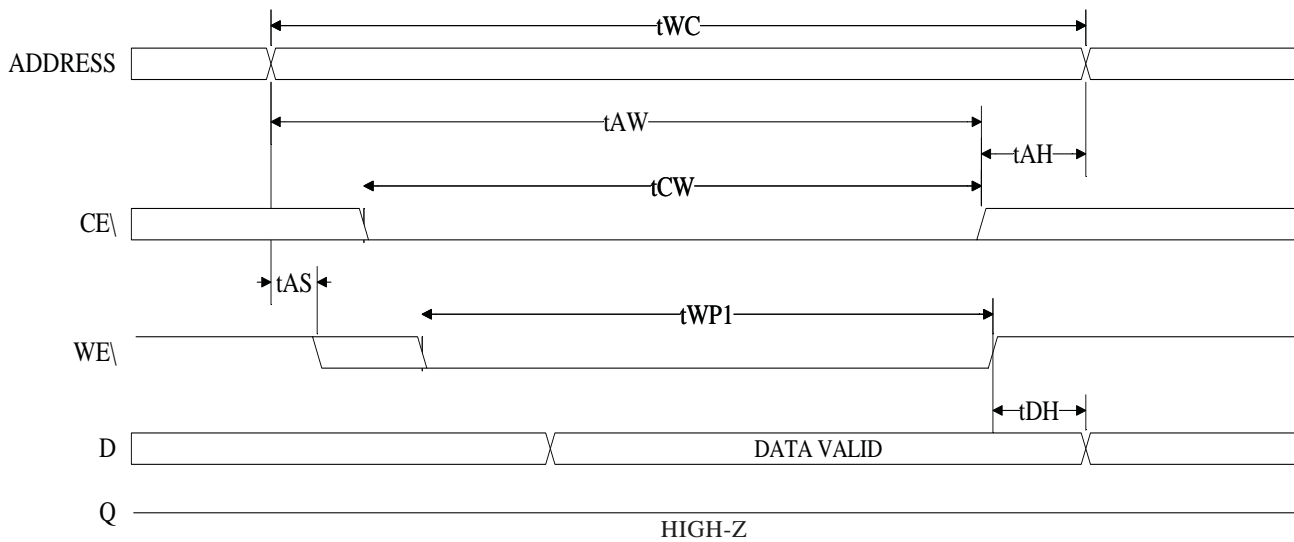




**WRITE CYCLE NO. 1** <sup>12</sup>  
(Chip Enabled Controlled)



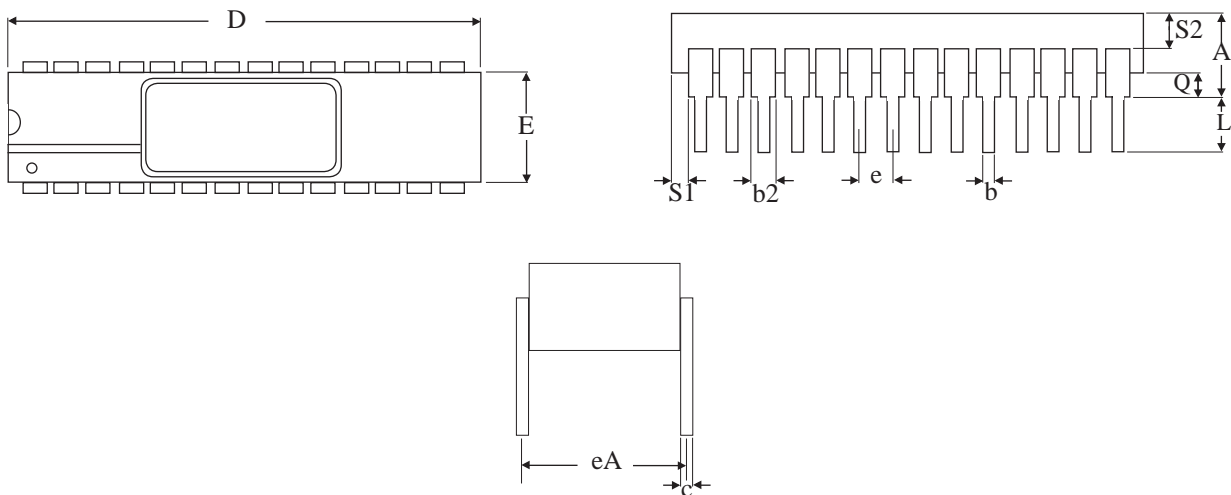
**WRITE CYCLE NO. 2** <sup>7, 12</sup>  
(Write Enabled Controlled)



**NOTE:** Output enable (OE) is inactive (HIGH).

### MECHANICAL DEFINITIONS\*

Micross Case #108 (Package Designator C)  
 SMD 5962-88662, Case Outline N  
 SMD 5962-88552, Case Outline U



SYMBOL	SMD SPECIFICATIONS	
	MIN	MAX
A	---	0.225
b	0.014	0.026
b2	0.045	0.065
c	0.008	0.018
D	---	1.485
E	0.240	0.310
eA	0.300 BSC	
e	0.100 BSC	
L	0.125	0.200
Q	0.015	0.070
S1	0.005	---
S2	0.005	---

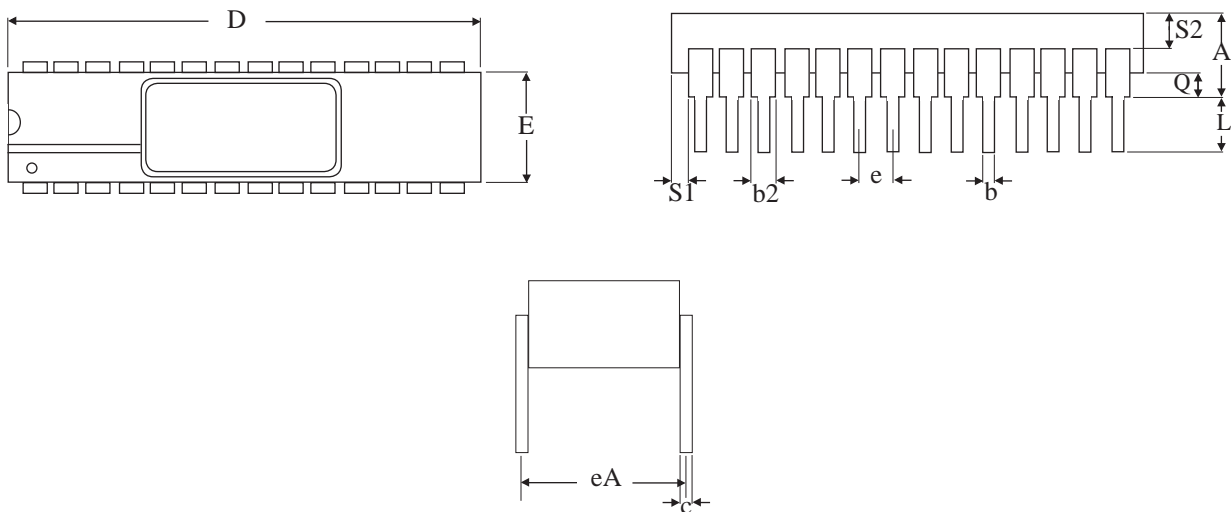
**NOTE:** These dimensions are per the SMD. Micross' package dimensional limits may differ, but they will be within the SMD limits.

\* All measurements are in inches.



## MECHANICAL DEFINITIONS\*

Micross Case #110 (Package Designator CW)  
SMD 5962-88552, Case Outline X



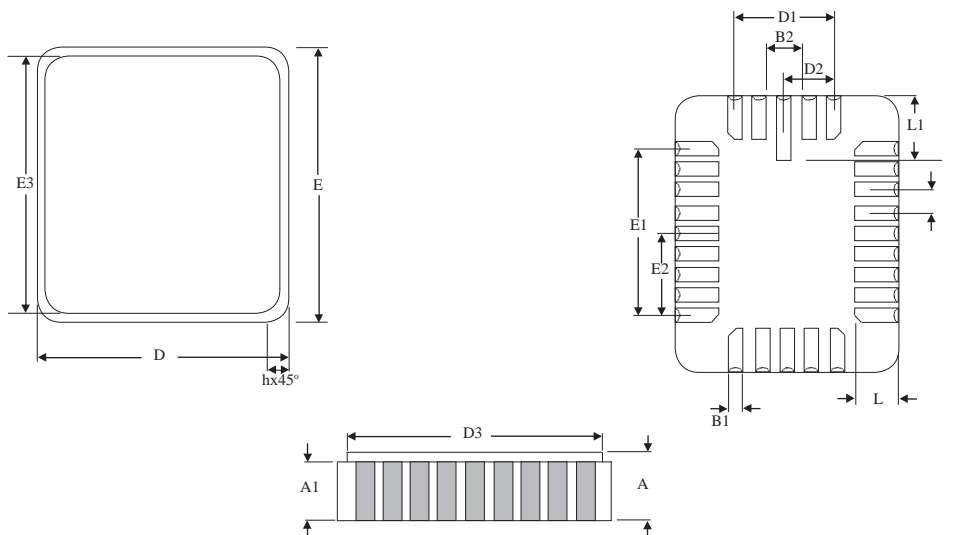
SYMBOL	SMD SPECIFICATIONS	
	MIN	MAX
A	---	0.232
b	0.014	0.026
b2	0.045	0.065
c	0.008	0.018
D	---	1.490
E	0.500	0.610
eA	0.600 BSC	
e	0.100 BSC	
L	0.125	0.200
Q	0.015	0.060
S1	0.005	---
S2	0.005	---

**NOTE:** These dimensions are per the SMD. Micross' package dimensional limits may differ, but they will be within the SMD limits.

\* All measurements are in inches.

## MECHANICAL DEFINITIONS\*

Micross Case #204 (Package Designator EC)  
 SMD 5962-88662, Case Outline U  
 SMD 5962-88552, Case Outline M



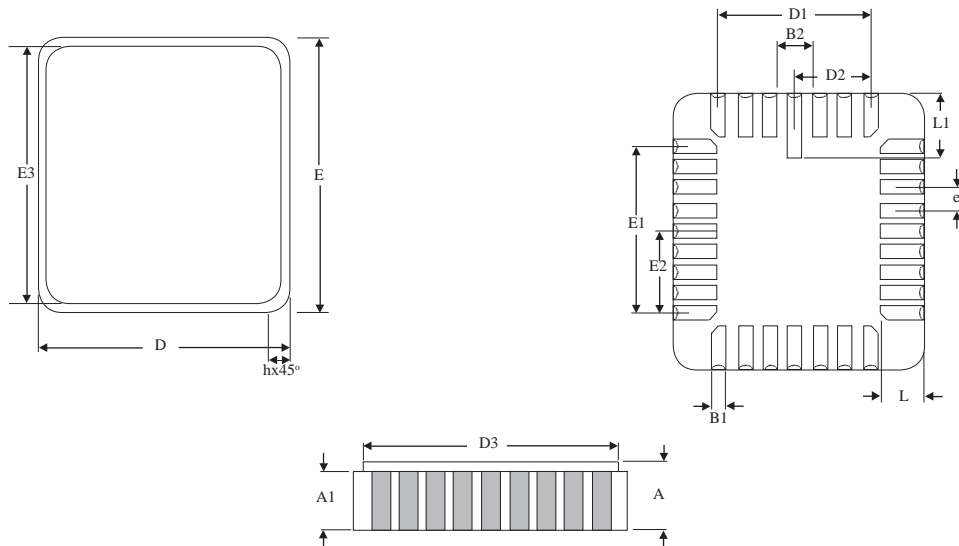
SYMBOL	SMD SPECIFICATIONS	
	MIN	MAX
A	0.060	0.120
A1	0.050	0.088
B1	0.022	0.028
B2	0.072 REF	
D	0.342	0.358
D1	0.200 BSC	
D2	0.100 BSC	
D3	---	0.358
E	0.540	0.560
E1	0.400 BSC	
E2	0.200 BSC	
E3	---	0.558
e	0.050 BSC	
h	0.040 REF	
L	0.045	0.055
L1	0.075	0.095

**NOTE:** These dimensions are per the SMD. Micross' package dimensional limits may differ, but they will be within the SMD limits.

\* All measurements are in inches.

## MECHANICAL DEFINITIONS\*

Micross Case #208 (Package Designator ECW)  
SMD 5962-88662 & SMD 5962-88552, Case Outline Y



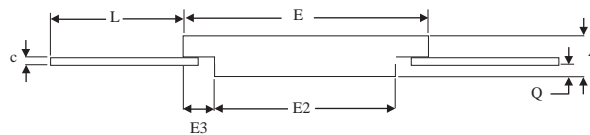
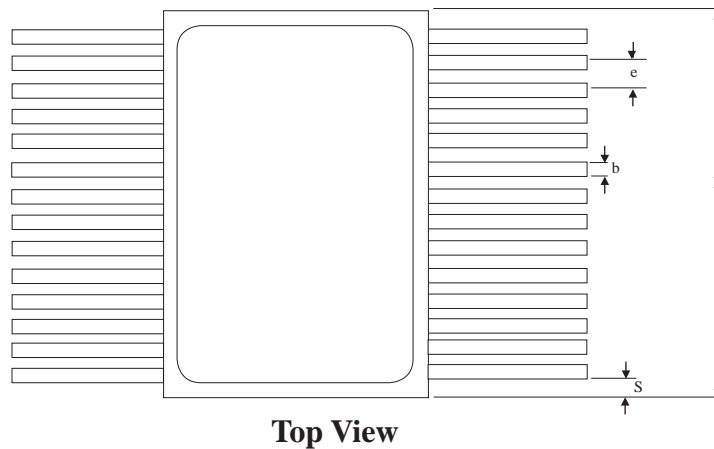
SYMBOL	SMD SPECIFICATIONS	
	MIN	MAX
A	0.060	0.120
A1	0.050	0.088
B1	0.022	0.028
B2	0.072 REF	
D	0.442	0.458
D1	0.300 BSC	
D2	0.150 BSC	
D3	---	0.458
E	0.540	0.560
E1	0.400 BSC	
E2	0.200 BSC	
E3	---	0.558
e	0.050 BSC	
h	0.040 REF	
L	0.045	0.055
L1	0.075	0.095

**NOTE:** These dimensions are per the SMD. Micross' package dimensional limits may differ, but they will be within the SMD limits.

\* All measurements are in inches.

## MECHANICAL DEFINITIONS\*

Micross Case #302 (Package Designator F)  
SMD 5962-88662 & SMD 5962-88552, Case Outline T



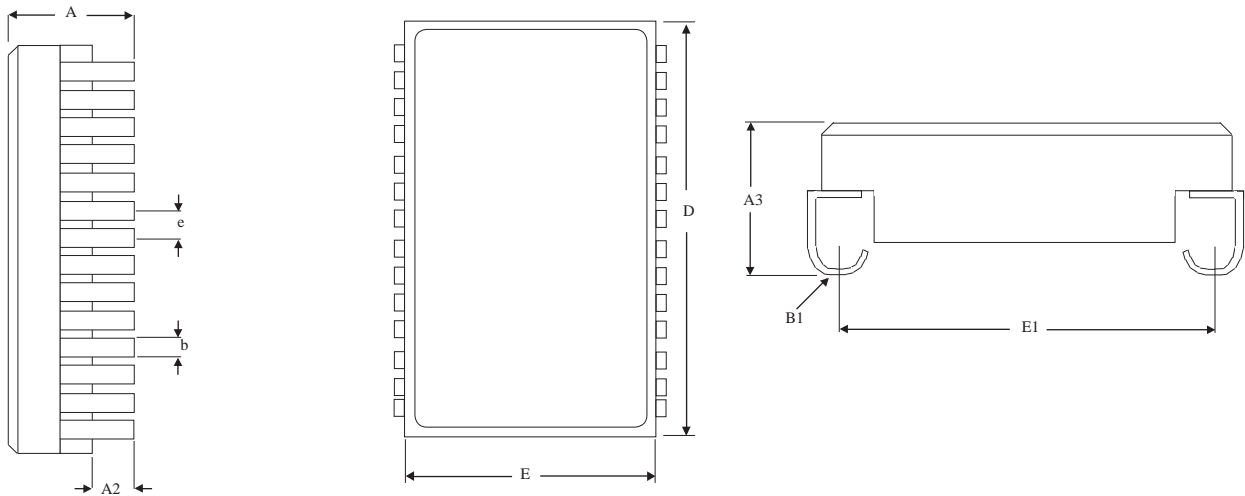
SYMBOL	SMD SPECIFICATIONS	
	MIN	MAX
A	0.090	0.130
b	0.015	0.019
c	0.004	0.009
D	---	0.740
E	0.380	0.420
E2	0.180	---
E3	0.030	---
e	0.050 BSC	
L	0.250	0.370
Q	0.026	0.045
S	0.000	0.045

**NOTE:** These dimensions are per the SMD. Micross' package dimensional limits may differ, but they will be within the SMD limits.

\* All measurements are in inches.

## MECHANICAL DEFINITIONS\*

### Micross Case #500 (Package Designator DCJ)



SYMBOL	MIN	MAX
A	0.116	0.166
A2	0.026	0.036
A3	---	0.166
B1	0.030	0.040
b	0.015	0.019
D	---	0.740
E	0.380	0.420
E1	0.395	0.410
e	0.050 BSC	

\* All measurements are in inches.

## ORDERING INFORMATION

**EXAMPLE:** MT5C2568CW-25L/XT

Device Number	Package Type	Speed ns	Options**	Process
MT5C2568	C	-12	L	/*
MT5C2568	CW	-12	L	/*
MT5C2568	C	-15	L	/*
MT5C2568	CW	-15	L	/*
MT5C2568	C	-20	L	/*
MT5C2568	CW	-20	L	/*
MT5C2568	C	-25	L	/*
MT5C2568	CW	-25	L	/*
MT5C2568	C	-35	L	/*
MT5C2568	CW	-35	L	/*
MT5C2568	C	-45	L	/*
MT5C2568	CW	-45	L	/*
MT5C2568	C	-55	L	/*
MT5C2568	CW	-55	L	/*
MT5C2568	C	-70	L	/*
MT5C2568	CW	-70	L	/*
MT5C2568	CW	-100	L	/*

**EXAMPLE:** MT5C2568ECW-15L/IT

Device Number	Package Type	Speed ns	Options**	Process
MT5C2568	EC	-12	L	/*
MT5C2568	ECW	-12	L	/*
MT5C2568	EC	-15	L	/*
MT5C2568	ECW	-15	L	/*
MT5C2568	EC	-20	L	/*
MT5C2568	ECW	-20	L	/*
MT5C2568	EC	-25	L	/*
MT5C2568	ECW	-25	L	/*
MT5C2568	EC	-35	L	/*
MT5C2568	ECW	-35	L	/*
MT5C2568	EC	-45	L	/*
MT5C2568	ECW	-45	L	/*
MT5C2568	EC	-55	L	/*
MT5C2568	ECW	-55	L	/*
MT5C2568	EC	-70	L	/*
MT5C2568	ECW	-70	L	/*
MT5C2568	ECW	-100	L	/*

**EXAMPLE:** MT5C2568F-55/XT

Device Number	Package Type	Speed ns	Options**	Process
MT5C2568	F	-12	L	/*
MT5C2568	F	-15	L	/*
MT5C2568	F	-20	L	/*
MT5C2568	F	-25	L	/*
MT5C2568	F	-35	L	/*
MT5C2568	F	-45	L	/*
MT5C2568	F	-55	L	/*
MT5C2568	F	-70	L	/*
MT5C2568	F	-100	L	/*

**EXAMPLE:** MT5C2568DCJ-70L/IT

Device Number	Package Type	Speed ns	Options**	Process
MT5C2568	DCJ	-12	L	/*
MT5C2568	DCJ	-15	L	/*
MT5C2568	DCJ	-20	L	/*
MT5C2568	DCJ	-25	L	/*
MT5C2568	DCJ	-35	L	/*
MT5C2568	DCJ	-45	L	/*
MT5C2568	DCJ	-55	L	/*
MT5C2568	DCJ	-70	L	/*

### \*AVAILABLE PROCESSES

IT = Industrial Temperature Range  
 XT = Extended Temperature Range  
 883C = Full Military Processing

-40°C to +85°C  
 -55°C to +125°C  
 -55°C to +125°C

### \*\*DEFINITION OF OPTIONS

2V Data Retention / Low Power

L



## MICROSS TO DLA (DSCC) PART NUMBER CROSS REFERENCE\*

### Micross Package Designator C & CW

<u>Micross Part #</u>	<u>SMD Part #</u>
AS5C2568C-12L/883C	5962-8855213UA
AS5C2568C-15L/883C	5962-8855212UA
AS5C2568C-17L/883C	5962-8855211UA
AS5C2568C-20L/883C	5962-8855210UA
AS5C2568C-25L/883C	5962-8855206UA
AS5C2568C-35L/883C	5962-8855205UA
AS5C2568C-45L/883C	5962-8855204UA
AS5C2568C-45L/883C	5962-8855209UA
AS5C2568C-55L/883C	5962-8855203UA
AS5C2568C-55L/883C	5962-8855208UA
AS5C2568C-70L/883C	5962-8855202UA
AS5C2568C-70L/883C	5962-8855207UA
AS5C2568C-100L/883C	5962-8855201UA
MT5C2568C-12/883C	5962-8866209NA
MT5C2568C-15/883C	5962-8866208NA
MT5C2568C-20/883C	5962-8866207NA
MT5C2568C-25/883C	5962-8866206NA
MT5C2568C-35/883C	5962-8866205NA
MT5C2568C-45/883C	5962-8866204NA
MT5C2568C-55/883C	5962-8866203NA
MT5C2568C-70/883C	5962-8866202NA
MT5C2568C-100/883C	5962-8866201NA
AS5C2568CW-12L/883C	5962-8855213XA
AS5C2568CW-15L/883C	5962-8855212XA
AS5C2568CW-17L/883C	5962-8855211XA
AS5C2568CW-20L/883C	5962-8855210XA
AS5C2568CW-25L/883C	5962-8855206XA
AS5C2568CW-35L/883C	5962-8855205XA
AS5C2568CW-45L/883C	5962-8855204XA
AS5C2568CW-45L/883C	5962-8855209XA
AS5C2568CW-55L/883C	5962-8855203XA
AS5C2568CW-55L/883C	5962-8855208XA
AS5C2568CW-70L/883C	5962-8855202XA
AS5C2568CW-70L/883C	5962-8855207XA
AS5C2568CW-100L/883C	5962-8855201XA

### Micross Package Designator EC & ECW

<u>Micross Part #</u>	<u>SMD Part #</u>
AS5C2568EC-12L/883C	5962-8855213MA
AS5C2568EC-15L/883C	5962-8855212MA
AS5C2568EC-17L/883C	5962-8855211MA
AS5C2568EC-20L/883C	5962-8855210MA
AS5C2568EC-25L/883C	5962-8855206MA
AS5C2568EC-35L/883C	5962-8855205MA
AS5C2568EC-45L/883C	5962-8855204MA
AS5C2568EC-45L/883C	5962-8855209MA
AS5C2568EC-55L/883C	5962-8855203MA
AS5C2568EC-55L/883C	5962-8855208MA
AS5C2568EC-70L/883C	5962-8855202MA
AS5C2568EC-70L/883C	5962-8855207MA
AS5C2568EC-100L/883C	5962-8855201MA
MT5C2568EC-12/883C	5962-8866209UA
MT5C2568EC-15/883C	5962-8866208UA
MT5C2568EC-20/883C	5962-8866207UA
MT5C2568EC-25/883C	5962-8866206UA
MT5C2568EC-35/883C	5962-8866205UA
MT5C2568EC-45/883C	5962-8866204UA
MT5C2568EC-55/883C	5962-8866203UA
MT5C2568EC-70/883C	5962-8866202UA
MT5C2568EC-100/883C	5962-8866201UA
AS5C2568ECW-12L/883C	5962-8855213YA
AS5C2568ECW-15L/883C	5962-8855212YA
AS5C2568ECW-17L/883C	5962-8855211YA
AS5C2568ECW-20L/883C	5962-8855210YA
AS5C2568ECW-25L/883C	5962-8855206YA
AS5C2568ECW-35L/883C	5962-8855205YA
AS5C2568ECW-45L/883C	5962-8855204YA
AS5C2568ECW-45L/883C	5962-8855209YA
AS5C2568ECW-55L/883C	5962-8855203YA
AS5C2568ECW-55L/883C	5962-8855208YA
AS5C2568ECW-70L/883C	5962-8855202YA
AS5C2568ECW-70L/883C	5962-8855207YA
AS5C2568ECW-100L/883C	5962-8855201YA
MT5C2568ECW-12/883C	5962-8866209YA
MT5C2568ECW-15/883C	5962-8866208YA
MT5C2568ECW-20/883C	5962-8866207YA
MT5C2568ECW-25/883C	5962-8866206YA
MT5C2568ECW-35/883C	5962-8866205YA
MT5C2568ECW-45/883C	5962-8866204YA
MT5C2568ECW-55/883C	5962-8866203YA
MT5C2568ECW-70/883C	5962-8866202YA
MT5C2568ECW-100/883C	5962-8866201YA

\*Micross part number is for reference only. Orders received referencing the SMD part number will be processed per the SMD.

## MICROSS TO DLA (DSCC) PART NUMBER CROSS REFERENCE\*

### Micross Package Designator F

<u>Micross Part #</u>	<u>SMD Part #</u>
AS5C2568F-12L/883C	5962-8855213TA
AS5C2568F-15L/883C	5962-8855212TA
AS5C2568F-17L/883C	5962-8855211TA
AS5C2568F-20L/883C	5962-8855210TA
AS5C2568F-25L/883C	5962-8855206TA
AS5C2568F-35L/883C	5962-8855205TA
AS5C2568F-45L/883C	5962-8855204TA
AS5C2568F-45L/883C	5962-8855209TA
AS5C2568F-55L/883C	5962-8855203TA
AS5C2568F-55L/883C	5962-8855208TA
AS5C2568F-70L/883C	5962-8855202TA
AS5C2568F-70L/883C	5962-8855207TA
AS5C2568F-100L/883C	5962-8855201TA
MT5C2568F-12/883C	5962-8866209TA
MT5C2568F-15/883C	5962-8866208TA
MT5C2568F-20/883C	5962-8866207TA
MT5C2568F-25/883C	5962-8866206TA
MT5C2568F-35/883C	5962-8866205TA
MT5C2568F-45/883C	5962-8866204TA
MT5C2568F-55/883C	5962-8866203TA
MT5C2568F-70/883C	5962-8866202TA
MT5C2568F-100/883C	5962-8866201TA

\* Micross part number is for reference only. Orders received referencing the SMD part number will be processed per the SMD.



**DOCUMENT TITLE**

32K x 8 SRAM SRAM MEMORY ARRAY

<u>Rev #</u>	<u>History</u>	<u>Release Date</u>	<u>Status</u>
4.7	Updated DLA part number cross reference	October 2011	Release