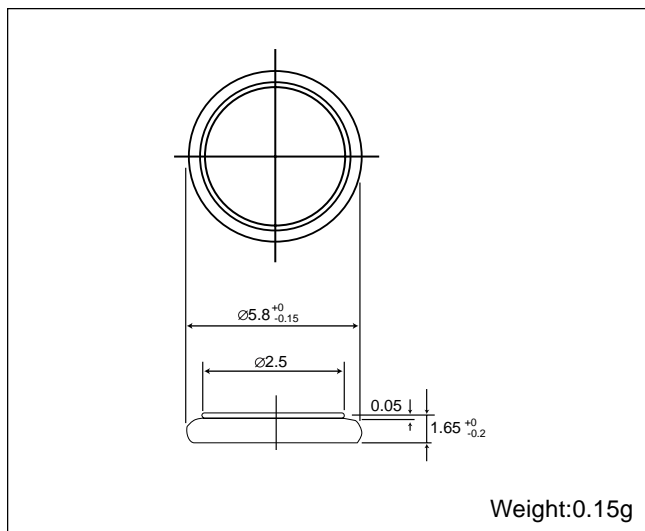


# Manganese Titanium Lithium Rechargeable Batteries (MT series): Individual Specifications

## MT516

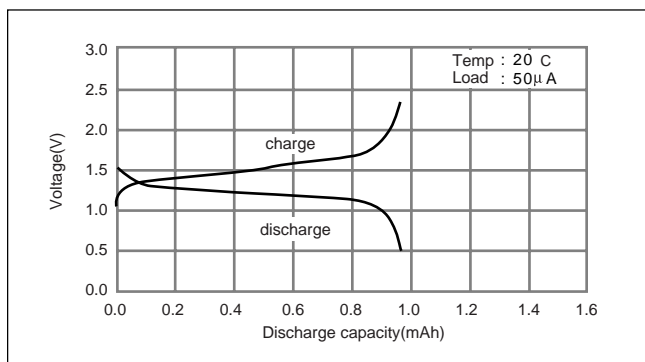
### ■ Dimensions(mm)



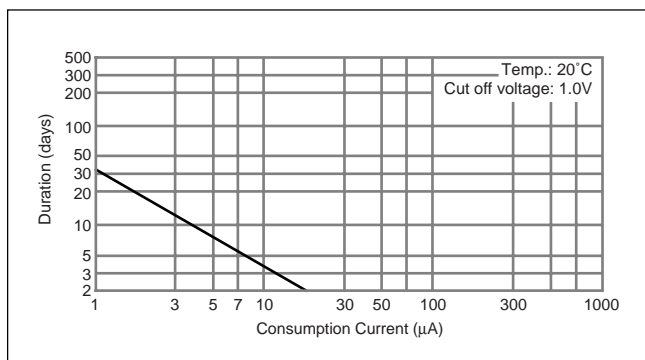
### ■ Specification

Nominal voltage (V)	1.5
Nominal capacity (mAh)	0.9
Continuous standard load (mA)	0.05
Operating temperature (C)	-20 ~ +60

### ■ Charge / discharge characteristics

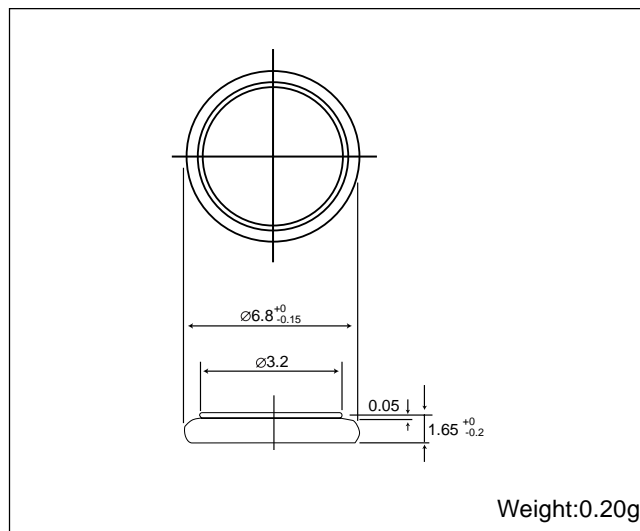


### ■ Consumption current vs. Duration time



## MT616

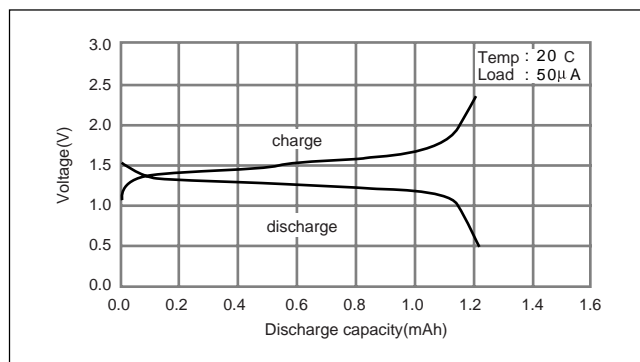
### ■ Dimensions(mm)



### ■ Specification

Nominal voltage (V)	1.5
Nominal capacity (mAh)	1.05
Continuous standard load (mA)	0.05
Operating temperature (C)	-20 ~ +60

### ■ Charge / discharge characteristics



### ■ Consumption current vs. Duration time

