



MediaTek MT7681 Datasheet

Version: 1.0

Release date: 3 January 2015

Specifications are subject to change without notice.

Table of Contents

1	Introduction	4
1.1	General Description	4
1.2	Features	4
1.3	Applications.....	5
1.4	Block Diagram.....	5
2	Product Descriptions	6
2.1	Pin Layout.....	6
2.2	Pin Descriptions	7
2.3	Strapping option.....	8
2.4	Package Information.....	9
2.5	Ordering Information	11
2.6	Top Marking Information.....	11
3	Electrical And Thermal Characteristics.....	12
3.1	Maximum And Minimum Ratings	12
3.2	Recommended Operating Ranges.....	12
3.3	DC Characteristics.....	13
3.4	Thermal Characteristics.....	13
3.5	Current Consumption	14
4	Cautions	15

Lists of tables and figures

Table 1 MT7681 pin descriptions.....	8
Table 2 Strapping option for the MT7681.....	8
Table 3 MT7681 ordering information.....	11
Table 4 Maximum and minimum ratings	12
Table 5 Recommended operating ranges.....	12
Table 6 DC characteristics.....	13
Table 7 Thermal characteristics.....	13
Table 8 WLAN 2.4GHz current consumption.....	14
Figure 1 MT7681 block diagram	5
Figure 2 Top view of MT7681 QFN pin-out.	6
Figure 3 MT7681 package outline drawing.....	9
Figure 4 MT7681 package outline drawing annotations.....	10
Figure 5 Top marking on an MT7681 chip.....	11

1 Introduction

1.1 General Description

The MT7681 is a highly integrated Wi-Fi System on Chip (SoC), which supports IEEE802.11b/g/n single stream, GPIO and PWM for intelligent control and UART/SPI interfaces for device communication.

The MT7681 integrates a power amplifier, low noise amplifier and RF switch to reduce the module size and simplify RF design in the final product. It also integrates a power management unit for a single 3.3V power source.

A 32-bit RISC MCU is embedded in the MT7681 to run 802.11b/g/n drivers, wireless supplicant, TCP/IP protocol stack and networking applications. It also helps provide Wi-Fi station and softAP operation modes.

These features make the MT7681 a cost effective chipset for use in embedded devices that need to enable Wi-Fi-based networking services with minimal design effort.

All these features are available in a compact 40 pin, 5mm x 5mm QFN package.

1.2 Features

The key features of the MT7681 are:

- Single stream IEEE 802.11b/g/n
- 32-bit RISC microprocessor host MCU
- Embedded IEEE 802.11b/g/n drivers, wireless supplicant and TCP/IP stack
- Highly integrated RF PA, LNA and RF switch
- Integrated high efficiency switching regulator for single 3.3V power source
- Security support for WPA personal (WPA-PSK), WPA2 personal (WPA2-PSK) and WPA/WPA2 personal
- Operation in station or softAP modes
- Rich I/O interfaces: UART, SPI, PWM and GPIO
- All functions integrated in a compact 5mm x 5mm QFN40L package

1.3 Applications

The MT7681 is ideal for use in devices for these applications:

- Home automation
- Smart plugs
- Lighting
- Metering
- Remote control
- Consumer network devices

1.4 Block Diagram

Figure 1 shows the block diagram of the MT7681.

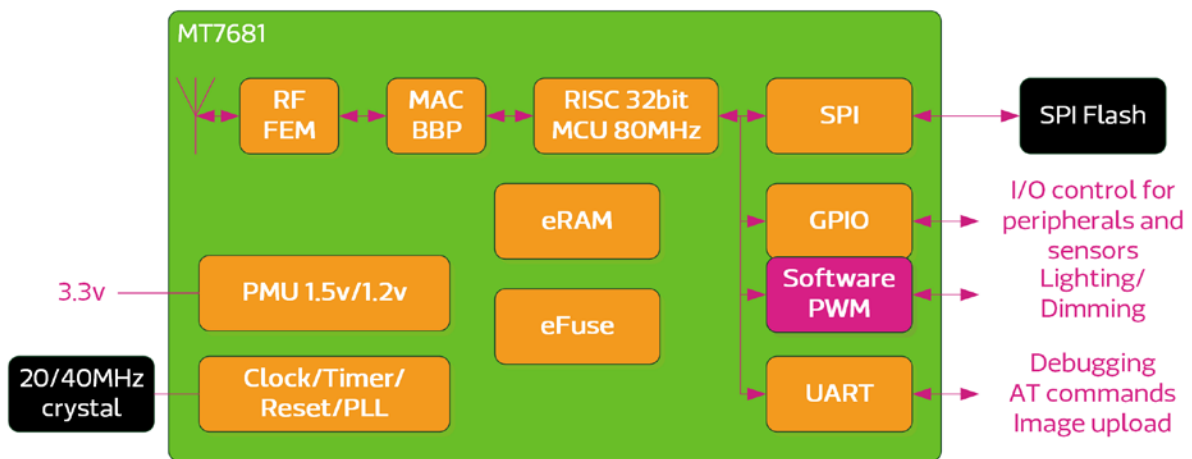


Figure 1 MT7681 block diagram

2.2 Pin Descriptions

Table 1 provides descriptions of the pins on the MT7681.

QFN40	Pin Name	Pin description	Default PU/PD	I/O	Supply domain
Reset and clocks					
24	LDO_RST_N	External system reset for active low	N/A	Input	VDD33
37	XTAL_XI	Crystal or external clock input	N/A	Input	
36	XTAL_XO	Crystal output	N/A	Input	
UART interface					
25	UART_RX	UART Rx	N/A		VDD33
26	UART_TX	UART Tx	N/A		VDD33
FLASH interface					
8	FLMISO	External memory data input	PD	Input	VDD33
9	FLMOSI	External memory data output	PD	Output	VDD33
10	FLCS	External chip select	PU	Output	VDD33
11	FLCLK	External clock	PU	Output	VDD33
Programmable I/O					
30	GPIO0	Programmable input/output	PD	In/out	VDD33
31	GPIO1	Programmable input/output	PD	In/out	VDD33
29	GPIO2	Programmable input/output	PD	In/out	VDD33
28	GPIO3	Programmable input/output	PD	In/out	VDD33
27	GPIO4	Programmable input/output	PD	In/out	VDD33
WIFI radio interface					
40	BG_EXTR	RF BG reference	N/A		
2	RF_IN	RF auxiliary Rx input	N/A		
4	RF_OUTP	RF port	N/A		
5	RF_OUTN	RF port	N/A		
PMU					
17	PMU_12V	PMU 1.2V output	N/A	Output	
18	PMU_V15A	PMU 1.5V input	N/A	Input	
19, 22	PMU_V33	PMU 3.3V power supply	N/A	Input	
20	PMU_FB	PMU control	N/A		
21	PMU_COMP	PMU control	N/A		
23	PMU_PHASE	PMU control	N/A		
Power supplies					
7, 33	VDD33	Digital I/O power supply	N/A	Input	
12, 32	VDD12	Digital core power supply	N/A	Input	

QFN40	Pin Name	Pin description	Default PU/PD	I/O	Supply domain
3, 6	RF_V33A	RF 3.3V power supply	N/A	Input	
1, 35, 38, 39	RF_LDO	RF power supply	N/A	Input	
34	PLL_LDO	PLL power supply	N/A	Input	
E-PAD	DVSS	Digital ground	N/A		

Table 1 MT7681 pin descriptions

2.3 Strapping option

Table 2 shows the strapping options for the MT7681.

QFN40	Pin Name	Pin description	Default PU/PD
8	FLMISO	XTAL_20_SEL XTAL is 20MHz: Pull up XTAL is 40MHz: Pull down	PD
27	GPIO4	EXT_EE_SEL: Pull down	PD
25	UART_RX	CHIP_MODE[2]: Pull down	PD
11	FLCLK	CHIP_MODE[1]: Pull up	PD
9	FLMOSI	CHIP_MODE[0]: Pull down	PU

Table 2 Strapping option for the MT7681

2.4 Package Information

This section provides details of the QNF packaging offered on the MT7681, including the package drawings in Figure 3 and the drawing annotations in Figure 4.

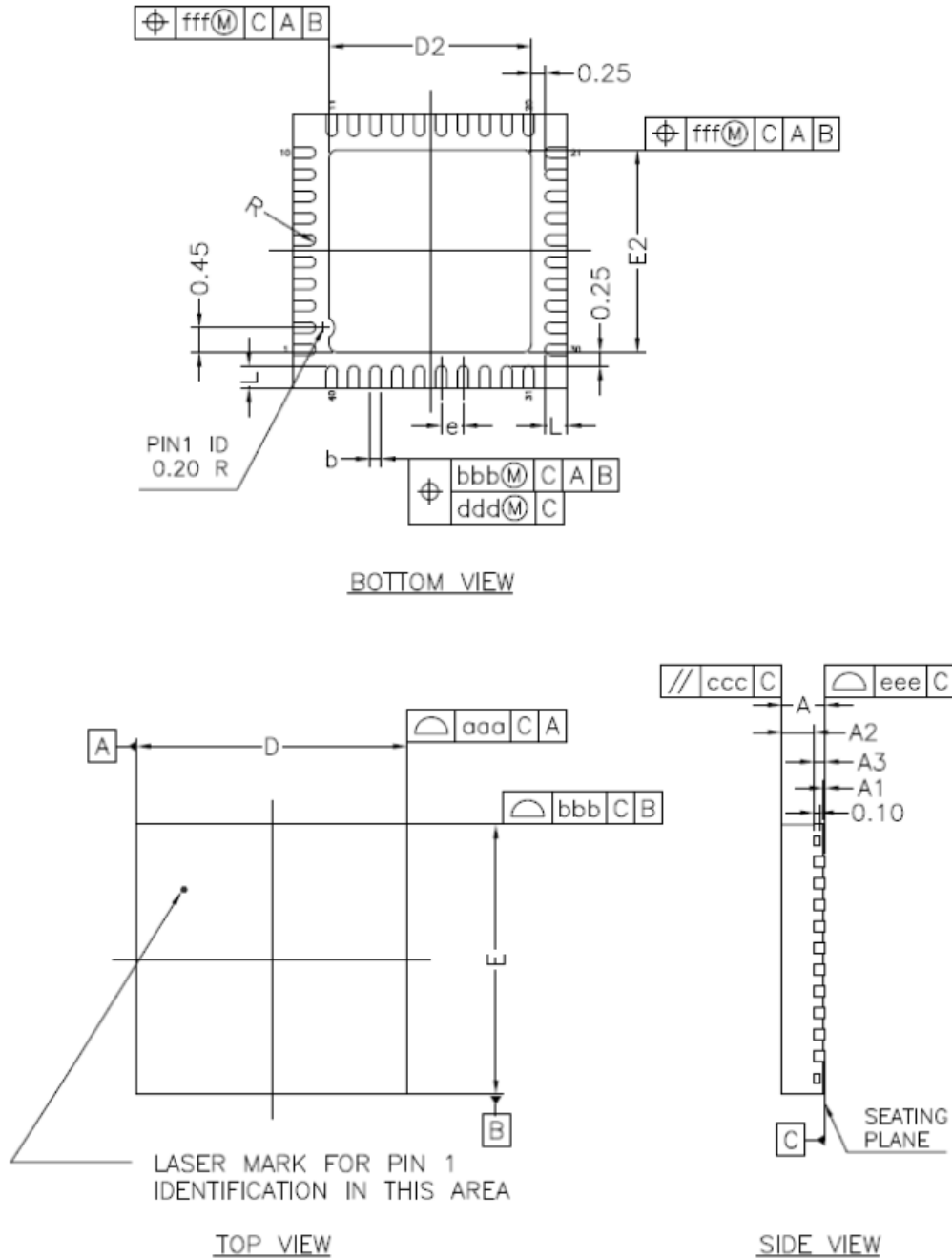


Figure 3 MT7681 package outline drawing

* CONTROLLING DIMENSION : MM

SYMBOL	MILLIMETER			INCH		
	MIN.	NOM.	MAX.	MIN.	NOM.	MAX.
A	----	----	0.80	----	----	0.031
A1	----	----	0.05	----	----	0.002
A2	----	0.53	0.58	----	0.021	0.023
A3	0.20 REF.			0.008 REF.		
b	0.15	0.20	0.25	0.006	0.008	0.010
D	5.00 bsc			0.197 bsc		
D2	3.55	3.70	3.85	0.140	0.146	0.152
E	5.00 bsc			0.197 bsc		
E2	3.55	3.70	3.85	0.140	0.146	0.152
L	0.30	0.40	0.50	0.012	0.016	0.020
e	0.40 bsc			0.016 bsc		
R	0.075	----	----	0.003	----	----
TOLERANCES OF FORM AND POSITION						
aaa	0.10			0.004		
bbb	0.07			0.003		
ccc	0.10			0.004		
ddd	0.05			0.002		
eee	0.08			0.003		
fff	0.10			0.004		

NOTES :

- 1.ALL DIMENSIONS ARE IN MILLIMETERS.
- 2.DIE THICKNESS ALLOWABLE IS 0.305 mm MAXIMUM(.012 INCHES MAXIMUM)
- 3.DIMENSIONING & TOLERANCES CONFORM TO ASME Y14.5M. -1994.
- 4.THE PIN #1 IDENTIFIER MUST BE PLACED ON THE TOP SURFACE OF THE PACKAGE BY USING INDENTATION MARK OR OTHER FEATURE OF PACKAGE BODY.
- 5.EXACT SHAPE AND SIZE OF THIS FEATURE IS OPTIONAL.
- 6.PACKAGE WARPAGE MAX 0.08 mm.
- 7.APPLIED FOR EXPOSED PAD AND TERMINALS. EXCLUDE EMBEDDING PART OF EXPOSED PAD FROM MEASURING.
- 8.APPLIED ONLY TO TERMINALS.

Figure 4 MT7681 package outline drawing annotations

2.5 Ordering Information

Table 3 shows the ordering information for the MT7681.

Part number	MT7681N
Package	5mm x 5mm x 0.8 mm 40-QFN
Operational temperature range	-10 to 70°C

Table 3 MT7681 ordering information

2.6 Top Marking Information

Figure 5 shows the top marking displayed on a MT7681 chip.

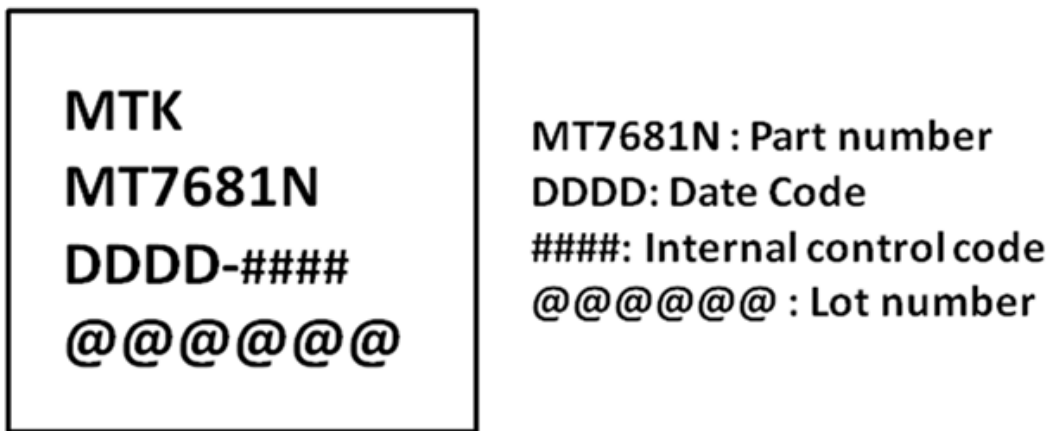


Figure 5 Top marking on an MT7681 chip

3 Electrical And Thermal Characteristics

This section provides details of the electrical and thermal characteristics of the MT7681, including:

- Maximum and minimum ratings
- Recommended operating ranges
- DC characteristics
- Thermal characteristics
- Current consumption

3.1 Maximum And Minimum Ratings

Table 4 shows the maximum and minimum ratings for the MT7681.

Symbol	Parameters	Minimum rating	Maximum rating	Unit
VDD33	3.3V Supply Voltage	-0.3	3.6	V
VDD12	1.2V Supply Voltage	-0.3	1.5	V
VDD15	1.5V Supply Voltage	-0.3	1.8	V
T _{STG}	Storage Temperature	-40	+125	°C
VESD	ESD protection (HBM)		2000	V

Table 4 Maximum and minimum ratings

3.2 Recommended Operating Ranges

Table 5 shows the recommended operating ranges for the MT7681.

Symbol	Rating	Minimum	Typical	Maximum	Unit
VDD33	3.3V Supply Voltage	2.97	3.3	3.63	V
VDD12	1.2V Supply Voltage	1.14	1.2	1.26	V
VDD15	1.5V Supply Voltage	1.425	1.5	1.575	V
T _{AMBIENT}	Ambient Temperature	-10	-	70	°C

Table 5 Recommended operating ranges

3.3 DC Characteristics

Table 6 describes the DC characteristics of the MT7681.

Symbol	Parameter	Conditions	Minimum	Maximum	Unit
V _{IL}	Input Low Voltage	LVTTL	-0.28	0.6	V
V _{IH}	Input High Voltage		2.0	3.63	V
V _{T-}	Schmitt Trigger Negative Transition Threshold Voltage	LVTTL	0.68	1.36	V
V _{T+}	Schmitt Trigger Positive Transition Threshold Voltage		1.36	1.7	V
V _{OL}	Output Low Voltage	I _{OL} = 1.6~14 mA	-0.28	0.4	V
V _{OH}	Output High Voltage	I _{OH} = 1.6~14 mA	2.4	VDD33+0.33	V
R _{PU}	Input Pull-Up Resistance	PU=high, PD=low	40	190	KΩ
R _{PD}	Input Pull-Down Resistance	PU=low, PD=high	40	190	KΩ

Table 6 DC characteristics

3.4 Thermal Characteristics

Table 7 shows the thermal characteristics of the MT7681.

Symbol	Description	Performance	
		Typical	Unit
T _J	Maximum Junction Temperature (Plastic Package)	125	°C
Θ _{JA}	Junction to ambient temperature thermal resistance ^{[1][2]}	48.11	°C/W
Θ _{JC}	Junction to case temperature thermal resistance	TBD	°C/W
Ψ _{Jt}	Junction to the package thermal resistance ^[3]	3.23	°C/W

Notes:

[1] Air flow condition: Natural convection, 0.5m/s.

[2] PCB dimension 21mm x 11mm. 4-layer.

[3] 5mm x 5mm QFN40L package

Table 7 Thermal characteristics

3.5 Current Consumption

Table 8 shows the current consumption for the Wi-Fi features of the MT7681.

Description	Performance	
	Typical	Unit
Sleep mode	1.1	mA
RX Active, HT40, MCS7	151	mA
RX Power saving, DTIM=1	15	mA
RX Listen	6	mA
TX HT40, MCS7 @15dBm	210	mA
TX CCK, 11Mbps @19dBm	242	mA

Note: All results measured at the antenna port with VDD33 at 3.3V

Table 8 WLAN 2.4GHz current consumption

4 Cautions



ESD CAUTION

MT7681 is an ESD (electrostatic discharge) sensitive device and may be damaged by ESD or spike voltage. Although MT7681 has built-in ESD protection circuitry, please handle with care to avoid permanent damage or performance degradation.