

The MediaTek logo consists of the word "MEDIATEK" in a bold, white, sans-serif font, centered within an orange parallelogram shape that is wider at the top and bottom and narrower in the middle.

MT76x7 INTERNET-OF-THINGS WIRELESS CONNECTIVITY SINGLE CHIP

Version: 1.01

Release date: 2016-12-26

© 2015 - 2017 MediaTek Inc.

This document contains information that is proprietary to MediaTek Inc. ("MediaTek") and/or its licensor(s). MediaTek cannot grant you permission for any material that is owned by third parties. You may only use or reproduce this document if you have agreed to and been bound by the applicable license agreement with MediaTek ("License Agreement") and been granted explicit permission within the License Agreement ("Permitted User"). If you are not a Permitted User, please cease any access or use of this document immediately. Any unauthorized use, reproduction or disclosure of this document in whole or in part is strictly prohibited. THIS DOCUMENT IS PROVIDED ON AN "AS-IS" BASIS ONLY. MEDIATEK EXPRESSLY DISCLAIMS ANY AND ALL WARRANTIES OF ANY KIND AND SHALL IN NO EVENT BE LIABLE FOR ANY CLAIMS RELATING TO OR ARISING OUT OF THIS DOCUMENT OR ANY USE OR INABILITY TO USE THEREOF. Specifications contained herein are subject to change without notice.

Document Revision History

Revision	Date	Description
0.77	2015-10-06	1. Initial draft
0.80	2016-06-23	1. Add detail description to CLOCK, GPT, RTC, PWM and SPI Master module. 2. Add register table to section 6.11, 6.12 and 6.13
0.81	2016-09-02	Move register descriptions to individual sections.
0.82	2016-09-30	Add RTC max value and illustrate pinmux don't care values.
1.00	2016-11-04	1. Correct the address of mpu_channel_en. 2. Add description of way_replace_policy 3. Add SPI Slave interface datasheet of 2.5.9 4. Update Auxilliary ADC specifications of Table 4-6 5. Correct Xtal frequency supporting values(26/40/52MHz) and descriptions
1.01	2016-12-26	1.Remove BT EDR related information

Table of Contents

Document Revision History	2
Table of Contents	3
List of Tables	9
List of Figures	11
1 System Overview	15
1.1 General Description.....	15
1.2 Features.....	15
1.2.1 Technology and package.....	15
1.2.2 Power management and clock source.....	16
1.2.3 Platform.....	16
1.2.4 WLAN.....	16
1.2.5 Bluetooth.....	16
1.2.6 Miscellaneous.....	17
1.3 Applications.....	17
1.4 Block Diagram.....	18
2 Functional Description	19
2.1 Overview.....	19
2.2 Power Management Unit.....	19
2.2.1 PMU Architecture.....	19
2.2.1.1 PMU Sleep Mode.....	20
2.2.2 Chip Power Plan.....	21
2.2.3 Digital Power Domain and Power States.....	21
2.3 Clock and Reset Generation.....	24
2.3.1 Clock.....	24
2.3.1.1 CM4 MCU Clock Setting.....	28
2.3.1.2 CM4 Serial Flash Clock Setting.....	30
2.3.1.3 CM4 SPI Master Clock Setting.....	32
2.3.1.4 I2S Master Clock Setting for External CODEC.....	35
2.3.1.5 Audio CODEC Clock Setting.....	35
2.3.1.6 PWM Clock Setting.....	35
2.3.1.7 AUXADC Clock Setting.....	37

2.3.1.8	CM4 I2C Master Clock Setting	37
2.3.1.9	CM4 UART Clock Setting	38
2.3.2	Reset	39
2.4	Application Processor Subsystem	39
2.4.1	CPU	39
2.4.2	Cache and Tightly Coupled Memory	40
2.4.2.1	General Description	40
2.4.2.2	Programming Guide of Cache Size Configuration.....	43
2.4.2.3	Organization of Cache.....	43
2.4.2.4	Theory of Operations.....	45
2.4.2.5	MPU	48
2.4.2.6	Remapping	51
2.4.2.7	Register Definitions.....	52
2.4.3	Bus Fabric	62
2.4.4	Serial Flash Controller	63
2.4.4.1	General Description	63
2.4.4.2	Block Diagram	63
2.4.4.3	Serial Flash Related Waveform.....	65
2.4.4.4	Programming Guide.....	70
2.4.4.5	Register Definitions.....	72
2.4.5	DMA.....	86
2.4.5.1	General Description	86
2.4.5.2	Full-Size and Half-Size DMA Channels	88
2.4.5.3	Ring Buffer and Double Buffer Memory Data Movement.....	88
2.4.5.4	Unaligned Word Access	89
2.4.5.5	Virtual FIFO DMA	90
2.4.5.6	DMA Channels and Priority Control.....	91
2.4.5.7	Register Definitions.....	92
2.4.6	General Purpose Timer.....	310
2.4.6.1	Register Definitions.....	311
2.4.7	Watchdog Timer	318
2.4.7.1	Register Definitions.....	319
2.4.8	Efuse	323

2.4.9	Interrupt Controller.....	323
2.4.9.1	Interrupt Sources.....	323
2.4.9.2	External Interrupt.....	325
2.4.10	Power-on Sequence.....	326
2.4.10.1	Power-on Reset (Cold Reset).....	326
2.4.10.2	Watchdog Reset.....	326
2.4.10.3	Reset Scenarios.....	327
2.4.10.4	Sleep/Wakeup sequence.....	328
2.4.11	Memory Map.....	328
2.4.12	SYSRAM_CM4.....	333
2.4.13	Crypto engine.....	333
2.4.13.1	Features.....	333
2.4.13.2	Functional Description.....	333
2.4.13.3	Programming Sequence.....	335
2.4.13.4	Register Definitions.....	343
2.5	Peripherals.....	376
2.5.1	GPIO Interface.....	376
2.5.1.1	GPIO Function.....	376
2.5.1.2	Register Definitions.....	380
2.5.2	UART Interface.....	425
2.5.2.1	General Description.....	425
2.5.2.2	Programming guide.....	427
2.5.2.3	Register Map.....	427
2.5.2.4	Register Definitions.....	428
2.5.3	I2C Serial Interface.....	471
2.5.3.1	General Description.....	471
2.5.3.2	I2C Programming Sequence.....	473
2.5.3.3	Registers Definitions.....	483
2.5.4	Auxiliary ADC.....	502
2.5.4.1	General Description.....	502
2.5.4.2	Function.....	503
2.5.4.3	Auxiliary ADC Digital Averaging FSM.....	505
2.5.4.4	ADC FIFO Access.....	507

2.5.4.5	Programming Sequence.....	509
2.5.4.6	Auxiliary ADC Clock Source	510
2.5.4.7	Register Definitions.....	511
2.5.5	SPI Master Interface	529
2.5.5.1	Introduction	529
2.5.5.2	SPI timing diagram	530
2.5.5.3	Programming Guide.....	531
2.5.5.4	Registers Definitions	532
2.5.6	SPI Slave Interface	542
2.5.6.1	General Description	542
2.5.6.2	Block Diagram	543
2.5.6.3	SPI Slave CR Read/Write Protocol	544
2.5.6.4	Programming Sequence.....	545
2.5.6.5	SPI Slave Protocol Timing.....	548
2.5.6.6	Interrupt.....	551
2.5.6.7	SPI Driver Domain Register	551
2.5.6.8	SPI MCU Domain Register.....	557
2.5.6.9	SPI Pinmux Configuration	564
2.5.7	I2S Interface	565
2.5.7.1	Registers Definitions	567
2.5.8	Pulse Width Modulation (PWM)	571
2.5.8.1	General Description	571
2.5.8.2	PWM Block Diagram	572
2.5.8.3	PWM Function	572
2.5.8.4	Programming Examples	575
2.5.8.5	Notice.....	576
2.5.8.6	Register Definitions (PWM_NUM = 0~39).....	577
2.5.8.7	Application Notes	579
2.5.9	IrDA.....	580
2.5.9.1	General Description	580
2.5.9.2	Block Diagram	580
2.5.9.3	IRTX Function	581
2.5.9.4	Register Definitions.....	584

- 2.6 Radio MCU Subsystem 599
 - 2.6.1 CPU 599
 - 2.6.2 RAM/ROM 599
 - 2.6.3 Memory map 599
 - 2.6.4 N9 Bus Fabric..... 602
 - 2.6.5 CIRQ..... 603
 - 2.6.5.1 General Description 603
 - 2.6.5.2 Function 603
 - 2.6.5.3 Interrupt sources 604
 - 2.6.5.4 Interrupt Source Masking 606
 - 2.6.5.5 External Interrupt 606
 - 2.6.5.6 Programming Guide..... 607
 - 2.6.5.7 Register Definitions..... 609
- 2.7 Wi-Fi Subsystem 644
 - 2.7.1 Wi-Fi MAC..... 644
 - 2.7.2 WLAN Baseband 645
 - 2.7.3 WLAN RF 645
- 2.8 Bluetooth Subsystem 645
- 2.9 RTC..... 646
 - 2.9.1 Main functions: 646
 - 2.9.2 Power Up/Down Flow 646
 - 2.9.3 Register Definitions 647
- 3 Radio Characteristics 691**
 - 3.1 Wi-Fi Radio Characteristics..... 691
 - 3.1.1 Wi-Fi RF Block Diagram 691
 - 3.1.2 Wi-Fi 2.4GHz Band RF Receiver Specifications 692
 - 3.1.3 Wi-Fi 2.4GHz Band RF Transmitter Specifications..... 693
 - 3.1.4 Wi-Fi 5GHz Band RF Receiver Specifications 694
 - 3.1.5 Wi-Fi 5GHz Band RF Transmitter Specifications..... 696
 - 3.2 Bluetooth Radio Characteristics 697
 - 3.2.1 Bluetooth RF block diagram 697
 - 3.2.2 Basic Rate Receiver Specifications 697
 - 3.2.3 Basic Rate Transmitter Specifications 698

3.2.4	Bluetooth LE Receiver Specifications	699
3.2.5	Bluetooth LE Transmitter Specifications	700
4	Electrical Characteristics	701
4.1	Absolute Maximum Rating	701
4.2	Recommended Operating Range	701
4.3	DC Characteristics.....	701
4.4	XTAL Oscillator.....	702
4.5	PMU Characteristics	702
4.6	Auxiliary ADC Characteristics	703
4.7	Thermal Characteristics.....	705
5	Package Specifications	706
5.1	Pin Layout	706
5.2	Pin Description	707
5.3	Pin Multiplexing.....	709
5.4	Bootstrap.....	714
5.5	Package information	716
5.6	Ordering information	716
5.7	Top Marking	717

List of Tables

Table 1-1 Differences between MT7697D, MT7697, and MT7687F	15
Table 2-1. MTCMOS Power Domain	21
Table 2-2. Power States for CM4 Subsystem	23
Table 2-3. Power States for N9 Subsystem	23
Table 2-4. Power State Transition Scenarios for N9	24
Table 2-5. Power State Transition Scenarios for CM4	24
Table 2-6. Cortex M4 Clock Rate	25
Table 2-7. N9 Clock Rate	26
Table 2-8. Peripheral Clock Rate	26
Table 2-9. CM4 Clock GEN0	29
Table 2-10. CM4 HCLK 2M Clock GEN	32
Table 2-11. SPI Master Mode Register	34
Table 2-12. PWM Global Control	36
Table 2-13. I2C Master Counting Value Phase	38
Table 2-14. TCM and Cache Configuration	40
Table 2-15. TCM Address Spaces of Different Cache Size Settings	42
Table 2-16. Write-back Mode Cache R/W Action Summary	47
Table 2-17. Write-through Mode Cache R/W Action Summary	48
Table 2-18. Test Patterns for Whole Chip Simulation	50
Table 2-19. Flash Controller Support Read Mode	63
Table 2-20. Available DMA channels	87
Table 2-21. Virtual FIFO Access Port	90
Table 2-22. DMA Use for Hardware Functions	91
Table 2-23. General Purpose Timer Types	311
Table 2-24. CM4 NVIC Interrupt Source	323
Table 2-25. CM4 External Interrupt De-Bounce Period	325
Table 2-26. CM4 Memory Map	329
Table 2-27. AES Hardware Specification	335
Table 2-28. DES Hardware Specification	335

Table 2-29. AES128 Programming Sequence	335
Table 2-30. AES192 Programming Sequence	336
Table 2-31. AES256 Programming Sequence	337
Table 2-32. DES Programming Sequence	337
Table 2-33. Triple-DES Programming Sequence	338
Table 2-34. SHA256 Programming Sequence	339
Table 2-35. SHA224 Programming Sequence	340
Table 2-36. SHA1 Programming Sequence	340
Table 2-37. MD5 Programming Sequence	341
Table 2-38. SHA512 Programming Sequence	342
Table 2-39. SHA384 Programming Sequence	342
Table 2-40. Functional Description of AGPIO	379
Table 2-41. Register Map with Conditional CR (LCR)	427
Table 2-42. The initialization of I2C	473
Table 2-43. The TX sequence of I2C Direct Normal Mode	474
Table 2-44. The RX sequence of I2C Direct Normal Mode	475
Table 2-45. The TX sequence of I2C Direct General Mode	476
Table 2-46. The RX sequence of I2C Direct General Mode	476
Table 2-47. The TX sequence of I2C DMA Normal Mode	477
Table 2-48. The RX sequence of I2C DMA Normal Mode	478
Table 2-49. The TX sequence of I2C DMA General Mode	480
Table 2-50. The RX sequence of I2C DMA General Mode	481
Table 2-51. SPI Pin Description	529
Table 2-52. SPI Interface Pinmux Configuration	564
Table 2-53. SPI CPOL/CPHA Configuration	564
Table 2-54. I2S Pin Description	566
Table 2-55. I2S Slave Mode	566
Table 2-56. PWM Modes	571
Table 2-57. PWM Parameters	573
Table 2-58. N9 Memory Map	599
Table 2-59. Internal Interrupt Source	607
Table 2-60. External Interrupt Source	608
Table 3-1. 2.4GHz RF Receiver Specification	692

Table 3-2. 2.4GHz RF Transmitter Specifications.....	693
Table 3-3. 5GHz RF Receiver Specifications.....	694
Table 3-4. 5GHz RF Transmitter Specifications.....	696
Table 3-5. Basic Rate Transmitter Specifications.....	698
Table 3-6. Bluetooth LE Receiver Specifications	699
Table 3-7. Bluetooth LE Transmitter Specifications.....	700
Table 4-1 Absolute Maximum Rating	701
Table 4-2. Recommended Operating Range	701
Table 4-3. DC Characteristics.....	701
Table 4-4. XTAL Oscillator Requirements	702
Table 4-5. PMU Electrical Characteristics.....	702
Table 4-6. Auxiliary ADC Specifications	703
Table 4-7. Thermal Characteristics.....	705
Table 5-1. Pin Map	706
Table 5-2. Pin Descriptions.....	707
Table 5-3. Pin Multiplexing.....	709
Table 5-4. Bootstrap Option– Flash Access Mode.....	714
Table 5-5. Bootstrap Option – XTAL Clock Mode	714
Table 5-6. Bootstrap Option – 32KHz Clock Mode.....	715
Table 5-7. Bootstrap Option — Chip Mode.....	715
Table 5-8. Ordering Information	716

List of Figures

Figure 1-1. System-on-Chip Block Diagram	18
Figure 2-1. Chip Power Block Diagram	19
Figure 2-2 PMU Sleep/Wakeup Sequence	20
Figure 2-3. MT76x7 Power State	22
Figure 2-4. Clock Generation Block Diagram.....	25
Figure 2-5. Clock Domains in N9 and CM4 Peripherals.....	27
Figure 2-6. CM4 MCU Clock Switch.....	28

Figure 2-7. CM4 Flash Clock Switch	30
Figure 2-8. CM4 SPI Master Clock Switch	32
Figure 2-9. PWM Tick Clock Switch	35
Figure 2-10. I2C Counting VAL Diagram	37
Figure 2-11. Reset Structure	39
Figure 2-12. MCU, Cache, TCM and AHB Bus Connectivity.....	41
Figure 2-13. Cache Size and TCM Settings	42
Figure 2-14. Cache Lookup.....	44
Figure 2-15. Cache Miss/Refill Criterion.....	46
Figure 2-16: MPU Protection Setting Example.....	50
Figure 2-17: Example Settings of Cache Remapping.....	51
Figure 2-18. CM4 Subsystem – Bus Fabric	62
Figure 2-19. Serial flash controller block diagram	64
Figure 2-20. The red line block is the SF_TOP in MCUSYS_CM4.....	65
Figure 2-21. Example for direct read for SPI mode	65
Figure 2-22. Example for quad I/O read in SPI mode.....	66
Figure 2-23. Example for quad I/O read in QPI mode.....	66
Figure 2-24. Direct read waveform for SPI mode.....	67
Figure 2-25. Direct read waveform for QPI mode.....	70
Figure 2-26. Generic DMA Controller Block Diagram	87
Figure 2-27. Ring Buffer and Double Buffer Memory Data Movement	89
Figure 2-28. Unaligned Word Accesses.....	90
Figure 2-29. Virtual FIFO DMA	90
Figure 2-30. Virtual FIFO Concept.....	91
Figure 2-31. The system diagram of the GPT_CM4.....	311
Figure 2-32. PMU Power-on Sequence	326
Figure 2-33. WDT Structure	327
Figure 2-34. Sleep/Wakeup Sequence	328
Figure 2-35. Crypto Engine System Diagram.....	333
Figure 2-36. Crypto Engine Block Diagram.....	334
Figure 2-37. AGPIO/GPIO Block Diagram (Left: AGPIO; Right: GPIO).....	377
Figure 2-38. AGPIO Configured as Output Multiplexing	378
Figure 2-39. AGPIO Configured as Input Multiplexing	379

Figure 2-40. AGPIO Configured as Input, Output, or Analog Mode.....	380
Figure 2-41. GPIO Configured as Open Drain Mode	380
Figure 2-42. UART Block Diagram	426
Figure 2-43 The block diagram of I2C module.	473
Figure 2-44 SCL clock phases	474
Figure 2-45. Auxiliary ADC Block Diagram (Analog Part)	503
Figure 2-46. Auxiliary ADC Block Diagram	503
Figure 2-47. Auxiliary ADC Clock Timing Diagram.....	504
Figure 2-48. Auxiliary ADC digital averaging FSM	505
Figure 2-49. Auxiliary ADC FIFO access block diagram.....	507
Figure 2-50. Auxiliary ADC clock source diagram.....	510
Figure 2-51. SPI TX transaction when more_buf_mode=0	530
Figure 2-52. SPI RX transaction when more_buf_mode=0	530
Figure 2-53. SPI TX transaction when more_buf_mode=1	530
Figure 2-54. SPI RX transaction when more_buf_mode=1, full_duplex=0	531
Figure 2-55. SPI RX transaction when more_buf_mode=1, full_duplex=1	531
Figure 2-56. SPI Slave Block Diagram	543
Figure 2-57. SPI Slave CR Read/Write Protocol	544
Figure 2-58. SPI Slave Motorola Protocol.....	549
Figure 2-59. I2S Signal Waveform	567
Figure 2-60. PWM Block Diagram	572
Figure 2-61. Illustration of PWM Cycle	573
Figure 2-62. PWM Normal Function	574
Figure 2-63. 2-State PWM.....	574
Figure 2-64. 2-State Replay Mode PWM.....	575
Figure 2-65. IRDA Block Diagram	581
Figure 2-66. The Logic Representation for NEC Protocol	581
Figure 2-67. The Pulse Train in Transmission of NEC Protocol	581
Figure 2-68. Message is Started by a 9ms AGC Burst.....	582
Figure 2-69. A Repeat Code is Transmitted Every 110ms.....	582
Figure 2-70. Coding Method for RC5 Protocol	583
Figure 2-71. The Lead Pulse in RC6 Protocol.....	584
Figure 2-72. Coding Method for RC6 Protocol	584

Figure 2-73. The Trailer Pulse in RC6 Protocol	584
Figure 2-74. N9 Bus Fabric	602
Figure 2-75. N9 interrupt controller.....	603
Figure 2-76 Interrupt Controller Block Diagram	604
Figure 2-77. External Interrupt Controller Block Diagram	607
Figure 3-1. 2.4/5GHz RF Block Diagram	691
Figure 3-2. Wi-Fi/Bluetooth RF Block Diagram	697
Figure 3-3. Basic Rate Receiver Specifications	697
Figure 5-1. Package Outline Drawing	716
Figure 5-2. Top Marking	717

1 System Overview

1.1 General Description

MT76x7 series chipsets, including MT7697D, MT7697, and MT87F, are highly integrated single chip which features an application processor, a low power 1x1 11n Wi-Fi subsystem, and a Power Management Unit. The application processor subsystem contains an ARM Cortex-M4 with floating point MCU. It also includes many peripherals, including UART, I2C, SPI, I2S, PWM, IrDA, and auxiliary ADC. It also contains a 32-bit RISC CPU that could fully offload the application processor.

MT7697D includes a Wi-Fi dual-band subsystem containing the 802.11a/b/g/n radio, baseband, and MAC that are designed to meet both the low power and high throughput application. It also includes embedded SRAM/ROM. The Bluetooth subsystem contains the Bluetooth radio, baseband, link controller. It also uses the same 32-bit RISC CPU for the Bluetooth protocols.

MT7697 includes a Wi-Fi dual-band subsystem containing the 802.11b/g/n radio, baseband, and MAC that are designed to meet both the low power and high throughput application. It also includes embedded SRAM/ROM. The Bluetooth subsystem contains the Bluetooth radio, baseband, link controller. It also uses the same 32-bit RISC CPU for the Bluetooth protocols.

MT7687F includes a Wi-Fi single-band subsystem contains the 802.11b/g/n radio, baseband, and MAC that are designed to meet both the low power and high throughput application. It also includes embedded SRAM/ROM and a 2MB serial flash in package.

For the difference among MT7697D, MT7697, and MT7687F family ICs, please refer to the Table 1-1 as below.

Table 1-1 Differences between MT7697D, MT7697, and MT7687F

	MT7697D	MT7697	MT7687F
Flash	External SPI Flash	External SPI Flash	Embedded 2MB Flash
WIFI/BT	WIFI 1x1n 2G/5G band 802.11a/b/g/n	WIFI 1x1n 2G band 802.11b/g/n	WIFI 1x1n 2G band 802.11b/g/n
Bluetooth	BLE	BLE	None

1.2 Features

1.2.1 Technology and package

- Highly integrated 40nm RFCMOS technology
- 8mm x 8mm 68-pin QFN package.

1.2.2 Power management and clock source

- Integrate high efficiency power management unit with single 3.3V power supply input
- 40/26/52MHz source crystal clock support with low power operation in idle mode

1.2.3 Platform

- ARM Cortex M4 MCU with FPU with up to 192MHz clock speed
- Embedded 352KB SRAM and 64KB boot ROM
- Supports external serial flash with Quad Peripheral Interface (QPI) mode
- Supports eExecute In Place (XIP) on flash
- 32KB cache in XIP mode
- Hardware crypto engines including AES, DES/3DES, SHA2 for network security
- 28 General Purpose IOs multiplexed with other interfaces
- Two UART interfaces with hardware flow control and one UART for debug, all multiplexed with GPIO
- One SPI master interface multiplexed with GPIO
- One SPI slave interface multiplexed with GPIO
- Two I2C master interface multiplexed with GPIO
- One I2S interface multiplexed with GPIO
- Four channel 12-bit ADC multiplexed with GPIO
- 28 PWM multiplexed with GPIO
- 25 channels DMA
- Low power RTC mode with 32KHz crystal support

1.2.4 WLAN

- Dedicated high-performance 32-bit RISC CPU N9 up to 160MHz clock speed
- IEEE 802.11 a/b/g/n compliant
- Supports 20MHz, 40MHz bandwidth in 2.4GHz band 5GHz band
- Dual-band 1T1R mode with data rate up to 150Mbps
- Supports STBC, LDPC
- Greenfield, mixed mode, legacy modes support
- IEEE 802.11 d/e/h/i/k/r/w support
- Security support for WFA WPA/WPA2 personal, WPS2.0, WAPI
- Supports 802.11w protected managed frames
- QoS support of WFA WMM, WMM PS
- Integrated LNA, PA, and T/R switch
- Optional external LNA and PA support.
- RX diversity support with additional RX input

1.2.5 Bluetooth

Bluetooth supports on MT7697 and MT7697D as the following features.

- Bluetooth specification 2.1
- Bluetooth 4.2 Low Energy (LE)
- Integrated BALUN and PA

- Scatternet support: Up to 7 piconets simultaneously with background inquiry/page scan
- Up to seven simultaneous active ACL links
- Support SCO and eSCO link with re-transmission
- Support wide-band speech and hardware accelerated SBC codec for A2DP streaming
- Packet loss concealment
- Channel quality driven data rate adaptation
- Channel assessment for AFH

1.2.6 Miscellaneous

- Integrates 4Kbit efuse to store device specific information and RF calibration data.
- Advanced Wi-Fi/Bluetooth coexistence scheme

1.3 Applications

MT76x7 is designed for Internet-of-Things based on the Mediatek's low power technology, Wi-Fi and Bluetooth design.

1.4 Block Diagram

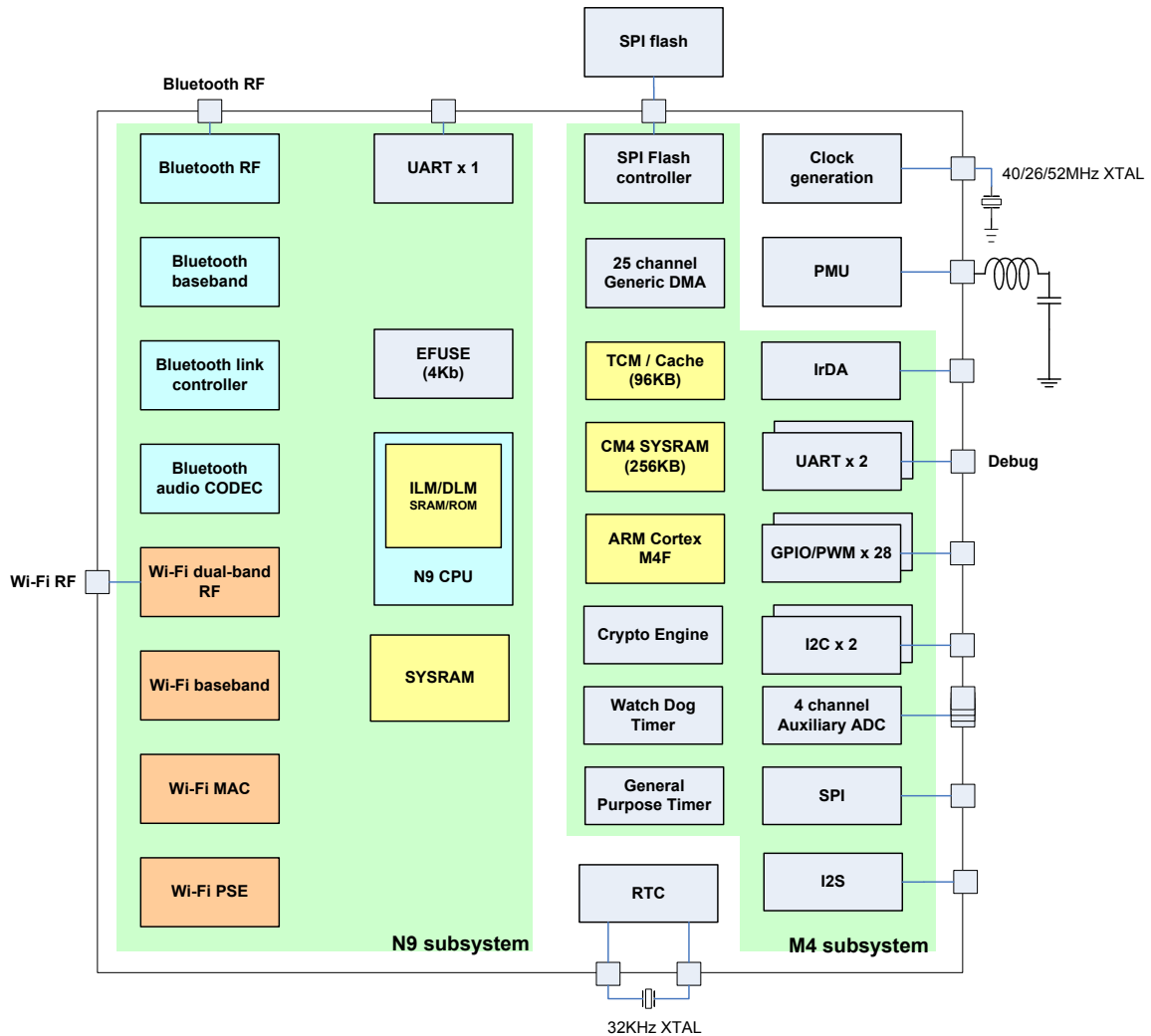


Figure 1-1. System-on-Chip Block Diagram

2 Functional Description

2.1 Overview

2.2 Power Management Unit

A single regulated 3.3V power supply is required for the MT76x7. It could be from DC-DC converter to convert higher voltage supply to 3.3V or boost from a lower voltage supply to 3.3V.

The Power Management Unit (PMU) contains Under-Voltage Lockout (UVLO) circuit, several Low Drop-out Regulators (LDOs), a highly efficient buck converter, and a reference band-gap circuit. The circuits are optimized for low quiescent current, low drop-out voltage, efficient line/load regulation, high ripple rejection, and low output noise.

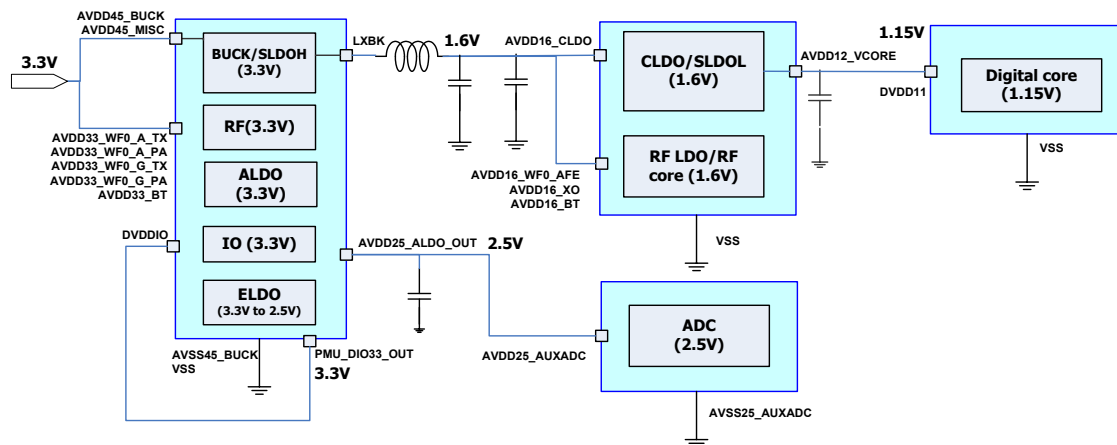


Figure 2-1. Chip Power Block Diagram

2.2.1 PMU Architecture

The PMU integrates 5 LDOs and one buck converter.

The four LDOs are CLDO, ALDO, high-voltage SLDO (SLDO-H) and low-voltage SLDO (SLDO-L). SLDO stands for sleep mode LDO, and CLDO stands for digital core LDO. The buck converter converts 1.6~1.8V output to other subsystems in MT76x7. It can be operated in PFM mode or PWM mode. Through an external on-board LC filter (2.2uH inductor and 10uF cap), it outputs a low ripple 1.6~1.8V to Wi-Fi RF system, Bluetooth RF system, and CLDO. CLDO is under BUCK domain, and then it outputs 1.15V for whole chip digital logics used. ALDO is also from 3.3V chip supply input and generates 2.5V for the auxiliary ADC. The two SLDOs have 1.8V and 0.85V output voltage respectively. They are used to keep BUCK and CLDO output voltage while MT76x7 is in sleep mode to reduce current consumption.

Once MT76x7 goes into deep sleep mode, BUCK, ALDO, and CLDO can be shut down. BUCK output voltage will be kept by SLDO-H, and CLDO output will be kept by SLDO-L.

PMU also integrated the ELDO (Efuse LDO). It provides 2.5V output voltage to the internal Efuse macro in programming mode.

2.2.1.1 PMU Sleep Mode

When both TOP_OFF (N9) and CM4_OFF power domains enter sleep mode, PMU will be brought to sleep mode automatically. BUCK and CLDO are turned-off in PMU sleep mode. SLDOH and SLDOL are turned-on to provide 1.6V and 1.15V power. By setting the SLDOL parameters, SLDOL can lower its output voltage to save power consumption in PMU sleep mode.

TOP_OFF or CM4_OFF leaving sleep mode makes PMU leave sleep mode too. In normal mode, BUCK/ CLDO are turned-on to provide large power for the whole chip and SLDOH/SLDOL are turned-off.

Please refer to Figure 2-2 for PMU sleep/wakeup sequence. The SLDOL TEMP1 and STABLE value setting is in RG_PMU_08 (0x81021420).

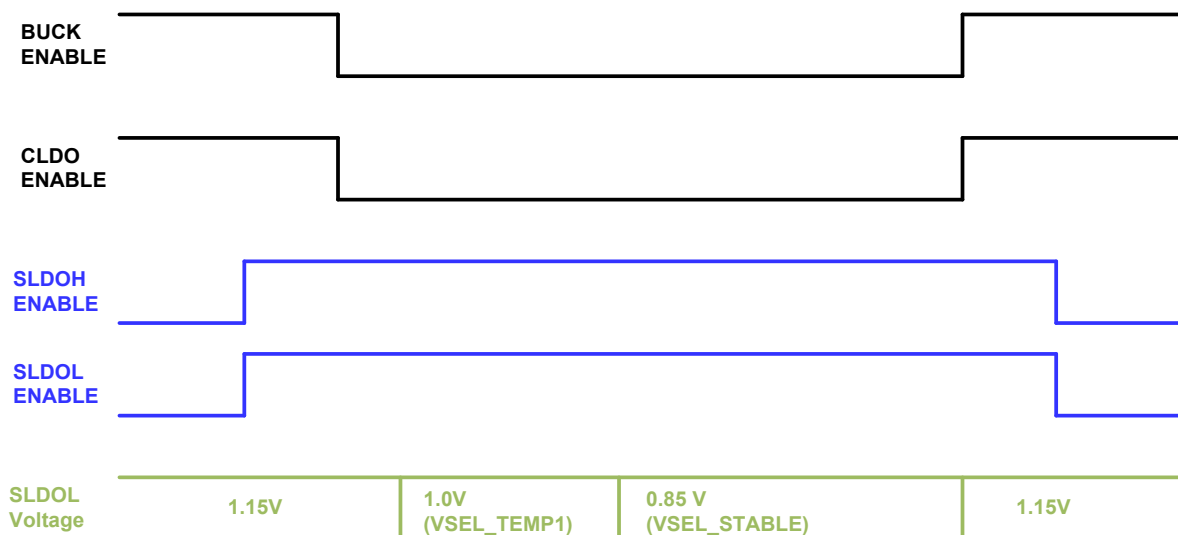


Figure 2-2 PMU Sleep/Wakeup Sequence

2.2.2 Chip Power Plan

The 3.3V power source is directly supplied to the switching regulator, digital I/Os, and RF-related circuit. It is converted to 2.5V by the LDO for ADC analog circuit. It is converted to 1.6V by the buck converter for low voltage circuits. The built-in digital LDOs and RF LDOs converts 1.6V to 1.15V for digital, RF, and BBPLL core circuits.

2.2.3 Digital Power Domain and Power States

The digital circuit is separated into five power domains. They are TOP_AON, TOP_OFF(N9), WF_OFF, BT_OFF, and CM4_SYS. Except TOP_AON, each power domain can be turned on and off individually.

Table 2-1. MTCMOS Power Domain

Domain	Description	Circuit Included	OFF Condition
TOP_AON	Always-on power domain, which keeps the minimum circuit powered to wake up from the sleep mode upon receiving a wake-up event.	It includes: Chip level configuration register. Sleep mode controller; External interrupt controller; Part of the Wi-Fi MAC that handles the beacon filtering. Sustain and backup memory that stores the RAM code and the register values that need to be kept during sleep mode.	N/A
TOP_OFF(N9)	The power domain can be power gated in Wi-Fi power save mode and Bluetooth power save mode.	The whole N9 subsystem, N9 peripherals, and part of the Wi-Fi MAC circuit are included.	N9 is in sleep mode and no DMA functions are enabled.

Domain	Description	Circuit Included	OFF Condition
WF_OFF	The power domain can be power gated when Wi-Fi is not used and in Wi-Fi power save mode.	The whole Wi-Fi baseband and part of the MAC subsystem are included.	Wi-Fi is disabled. N9 is in standby mode or in sleep mode.
BT_OFF	The power domain can be power gated when Bluetooth is not used and in Bluetooth power save mode.	The whole Bluetooth subsystem is included.	Bluetooth is disabled. N9 is in standby mode or in sleep mode.
CM4_OFF	The power domain is not powered gated when Cortex M4 is used.	The whole Cortex M4 subsystem and Cortex M4 peripherals are included.	N/A

The MT76x7 power state diagram is illustrated below. There are two sleep mode controllers, controlled by N9 and CM4, respectively.

The N9 power state and CM4 power state operates independently. When both enter the sleep mode, the XTAL and PMU can be changed to the low power mode to further lower the current consumption.

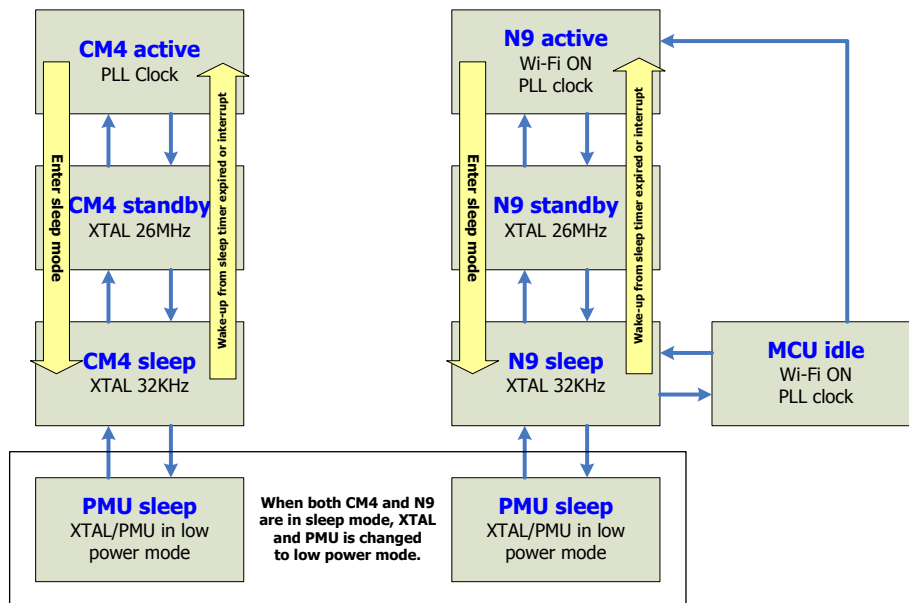


Figure 2-3. MT76x7 Power State

Table 2-2. Power States for CM4 Subsystem

MCU mode	Description	Wake-up time	Power
CM4 active	MCU executing code at PLL clock	n/a	
CM4 standby	MCU subsystem clocks are gated off and the state of the entire subsystem is retained. PLL is off.	TBD	
CM4 sleep	MCU subsystem clocks are gated off and the state of the entire subsystem is retained. Only 32KHz clock from XTAL is active. MCU is configured to wake up on the expiry of the internal timer and external wake-up events.	TBD	1mA
PMU sleep	CM4_OFF is power gated. XTAL and PMU operate in low power mode. MCU is configured to wake up on the expiry of the internal timer and external wake-up events.	TBD	0.3mA

Table 2-3. Power States for N9 Subsystem

MCU mode	Description	Wake-up time	Power
N9 active	MCU executing code at PLL clock.	n/a	
MCU idle	MCU clock is gated off, while MCU subsystem clocks are on to maintain the operation of Wi-Fi function, like listening to beacon. PLL is on.	TBD	
N9 standby	MCU subsystem clocks are gated off and the state of the entire subsystem is retained. PLL is off.	TBD	
N9 sleep	MCU subsystem clocks are gated off and the state of the entire subsystem is retained. Only 32KHz clock from XTAL is active. MCU is configured to wake up on the expiry of the internal timer, external wake-up events, or the wake-up events from Wi-Fi radio or Bluetooth radio.	TBD	1mA
PMU sleep	TOP_OFF (N9) and WF_OFF are power gated. XTAL and PMU operate in low power mode. The state information is retained in back-up buffer (sleep-mode memory) and can be restored when wake-up. MCU is configured to wake up on the expiry of the internal timer, external wake-up events, or the wake-up events	TBD	0.3mA

MCU mode	Description	Wake-up time	Power
	from Wi-Fi radio or Bluetooth ratio.		

The typical scenarios which N9 operates in and the power state transition are summarized in the following table.

Table 2-4. Power State Transition Scenarios for N9

Scenario	Description	State transition
1	All functions are idle and the N9 firmware triggers to enter the sleep mode.	Active → Standby → Sleep
2	Wi-Fi DTIM timer is expired and the hardware wakes up to listen to beacon and then goes to sleep again when It is not necessary to wake up N9 to process the data.	Sleep → MCU idle (Wi-Fi ON) → sleep
3	Wi-Fi DTIM timer is expired and the hardware wakes up to listen to beacon and then wake up N9 to process the data.	Sleep → MCU idle (Wi-Fi ON) → Active

The typical scenarios which CM4 operates in and the power state transition are summarized in the following table.

Table 2-5. Power State Transition Scenarios for CM4

Scenario	Description	State transition
1	All functions are idle and the CM4 firmware triggers to enter the sleep mode.	Active → Standby → Sleep
2	The wake-up event (wake-up event from N9 or other sources) triggers CM4 to wake up.	Sleep → Standby → Active

2.3 Clock and Reset Generation

2.3.1 Clock

MT76x7 connects to the XTAL or external clock source as the single clock source of the whole system. The XTAL oscillator can support the XTAL frequencies from among 40, 26, and 52MHz.

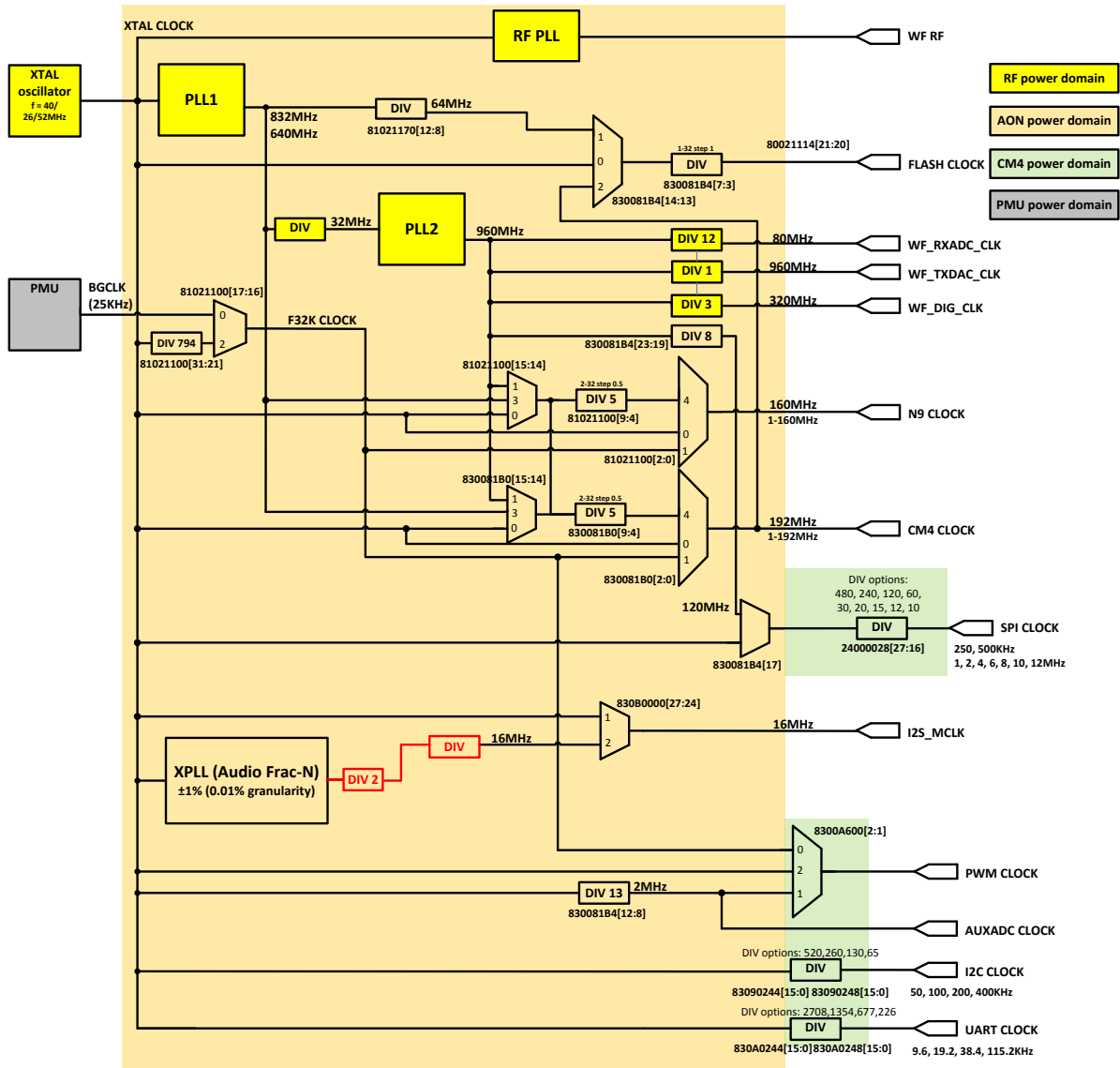


Figure 2-4. Clock Generation Block Diagram

- PLL1 is used to generate the clock sources for Bluetooth and PLL2.
- PLL2 is used to generate the clock sources for Wi-Fi, N9 core, Cortex M4 core, and bus fabric.
- XPLL is used to generate the clock sources for I2S (for external audio CODEC).

The options of clock rate for MCU are listed below.

Table 2-6. Cortex M4 Clock Rate

Reference Clock (MHz)	MCU Clock (MHz, XTAL mode)	MCU Clock (MHz, PLL mode)
40	40	30, 32, 40, 48, 60, 80, 96, 120, 160, 192.
26	26	
52	52	

Table 2-7. N9 Clock Rate

Reference Clock (MHz)	MCU Clock (MHz, XTAL mode)	MCU Clock (MHz, PLL mode)
40	40	30, 32, 40, 48, 60, 80, 96, 120, 160, 192.
26	26	
52	52	

Table 2-8. Peripheral Clock Rate

	Peripheral Clock Rate	Support SPEC
PWM	XTAL clock with DIV13 (Default)	200Hz at minimum.
	XTAL clock	
	F32K clock	
UART	XTAL clock with DIV	9.6, 19.2, 38.4, 115.2K
I2C	XTAL clock with DIV	50, 100, 200, 400KHz
SPI	XTAL clock with DIV (Default)	4, 6, 8, 10, 12MHz
Flash	XTAL clock with DIV (Default)	64MHz.
	BT_DIG_CLK (64MHz) with DIV	
	CM4 clock with DIV	

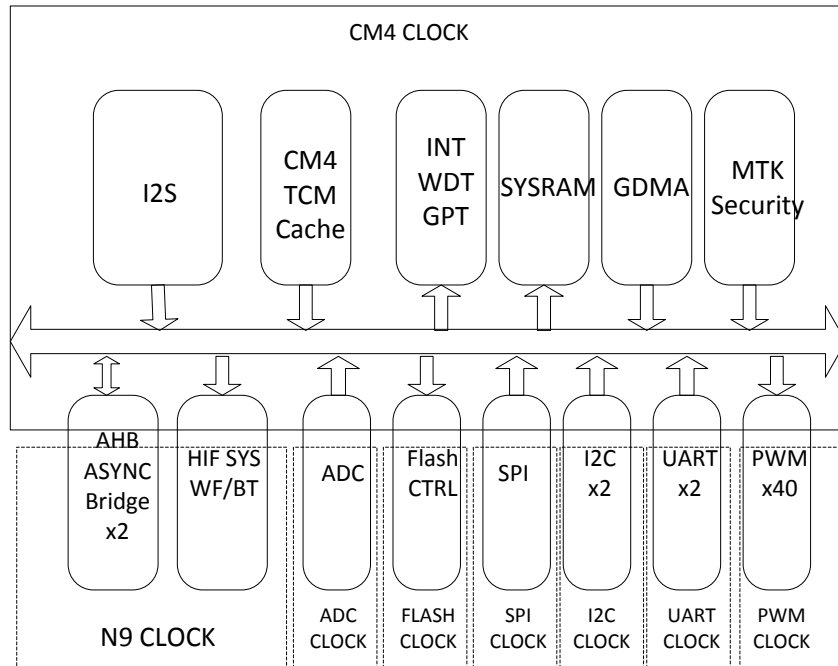


Figure 2-5. Clock Domains in N9 and CM4 Peripherals

MT76X7 clock setting is configured by CRs which control some clock dividers and MUXs. This is described how to switch clock source/frequency for MT76X7 system and peripheral devices.

Note : all the clock source must be enabled and stable when S/W switch to it.

2.3.1.1 CM4 MCU Clock Setting

CM4 MCU Clock supports 32KHz, 40MHz(XTAL) and max. 192MHz (divided from PLL). CM4 MCU Clock is CM4 CPU and AHB BUS clock.

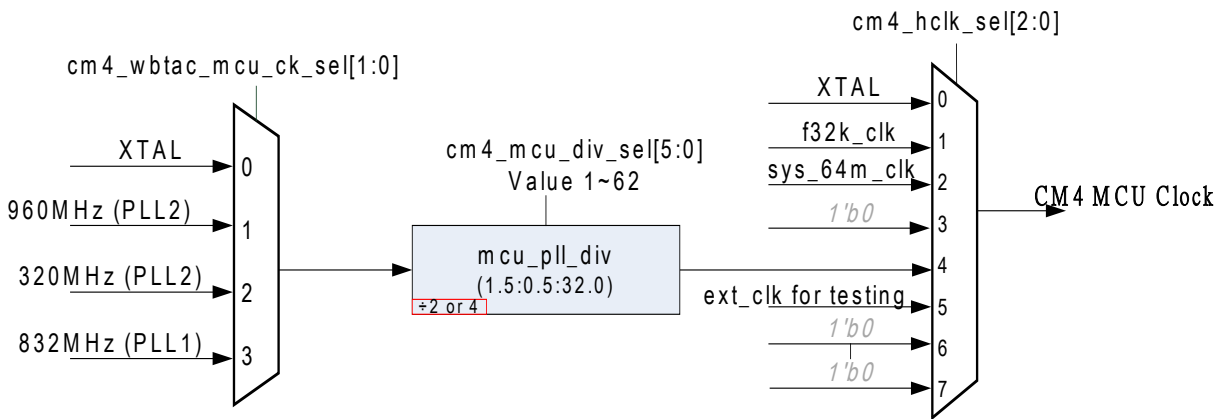


Figure 2-6. CM4 MCU Clock Switch

The configure CRs are

- cm4_wbtac_mcu_ck_sel[1:0] : 0x830081B0[15:14]
- cm4_mcu_div_sel[5:0] : 0x830081B0[9:4]
- cm4_hclk_sel[2:0] : 0x830081B0[2:0]

***reference Table 2-9

830081B0 CM4_CKGEN0 CM4 CLOCK CONTROL REGISTER 0 00040180																
Bit	31	30	29	28	27	26	25	24	23	22	21	20	19	18	17	16
Name											CM4 MPD DUT Y	CM4 MPD DLY		CM4_PLL_DIV_EN		
Type											RW	RW		RW		
Reset											0	0		1	0	0
Bit	15	14	13	12	11	10	9	8	7	6	5	4	3	2	1	0

Name	CM4_WBTAC_MCU_CK_SEL		CM4_MPD_CG_BYPASS				CM4_MCU_DIV_SEL						CM4_HCLK_SEL			
Type	RW		RW				RW						RW			
Reset	0	0	0	0	0		0	1	1	0	0	0		0	0	0

Bit(s)	Name	Description
21	CM4_MPD_DUTY	Duty of mcu_pll_div clock out
20	CM4_MPD_DLY	Delay for change signal in mcu_pll_div (in case of too large CDC delay) 0 : 4T 1 : 5T
18:16	CM4_PLL_DIV_EN	[2] pll_div_en [1] pll_div2_en [0] pll_div4_en
15:14	CM4_WBTAC_MCU_CK_SEL	CM4 MCU clock frequency selection. 2'b000 : XTAL freq 2'b001 : WIFI PLL 960MHz 2'b010 : WIFI PLL 320MHz 2'b011 : BBPLL1 832MHz (26/52 MHz XTAL) or 640MHz (40 MHz XTAL)
13:11	CM4_MPD_CG_BYPASS	Bypass clock gated function in MCU_PLL_DIV module
9:4	CM4_MCU_DIV_SEL	6'd0 : INVAILD, clock will stop when this field is cleared to 6'ho 6'd1 : div factor=1.5 6'd2 : div factor=2.0 6'd61 : div factor=31.5 6'd62 : div factor=32.0
2:0	CM4_HCLK_SEL	MCUSYS_CM4 root clock source selection 000 : OSC clock 20/26/40/52 MHz 001 : 32K clock out, selected by 32K_SEL[1:0] 010 : SYS 64MHz clock 011 : N/A 100 : PLL after divider : divider source = CM4_WF/BT PLL (CM4_WBTAC_MCU_CK_SEL) divider factor = CM4_MCU_DIV_SEL [5:0] 101 : RBIST clock from PAD

Table 2-9. CM4 Clock GEN0

- Set CM4 MCU Clock to 192MHz (divided from PLL2)
 - Enable PLL1+PLL2 and polling to ready
 - Set cm4_wbtac_mcu_ck_sel[1:0]=2'h1 to switch source clock of CM4 PLL divider to PLL2 (960MHz)

- Set `cm4_mcu_div_sel[5:0]=5'h8` to set divider clock output to 192MHz. (divided 960MHz by 5 (1 + 8/2)).
- Set `cm4_hclk_sel[2:0]=3'h4` to switch CM4 MCU clock to the output of PLL divider
- Set CM4 MCU Clock to 160MHz (divided from PLL2)
 - Enable PLL1+PLL2 and polling to ready
 - Set `cm4_wbtac_mcu_ck_sel[1:0]=2'h2` to switch source clock of CM4 PLL divider to PLL2 (320MHz)
 - Set `cm4_mcu_div_sel[5:0]=5'h2` to set divider clock output to 160MHz. (divided 320MHz by 2 (1 + 2/2)).
 - Set `cm4_hclk_sel[2:0]=3'h4` to switch CM4 MCU clock to the output of PLL divider
- Set CM4 MCU Clock to 64MHz (divided from PLL1)
 - Enable PLL1 and polling to ready
 - Set `cm4_wbtac_mcu_ck_sel[1:0]=2'h0` to switch source clock of CM4 PLL divider to XTAL
 - Set `cm4_hclk_sel[2:0]=3'h2` to switch CM4 MCU clock to the `sys_64m_clk`
- Set CM4 MCU Clock to XTAL clock
 - Set `cm4_wbtac_mcu_ck_sel[1:0]=2'h0` to switch source clock of CM4 PLL divider to XTAL
 - Set `cm4_hclk_sel[2:0]=3'h0` to switch CM4 MCU clock to the XTAL

2.3.1.2 CM4 Serial Flash Clock Setting

CM4 Serial Flash Clock supporting maximum frequency is 83.2MHz. It can be switched to XTAL clock, 64MHz (divided from PLL) and `cm4_hclk` (Max. 83.2MHz).

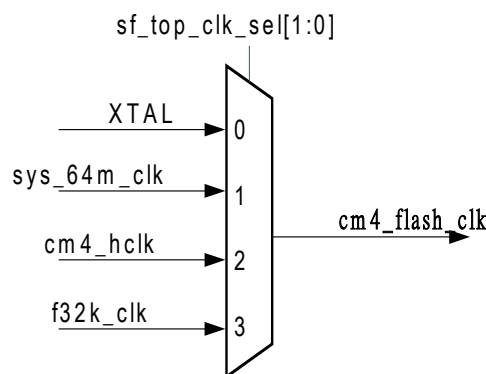


Figure 2-7. CM4 Flash Clock Switch

The configure CRs are

`sf_top_clk_sel[1:0]` : `0x830081B4[14:13]`

***reference [Table 2-10](#)

830081B4 HCLK_2M_CKEGN HCLK_2M_CK CONTROL REGISTER
00390C61

Bit	31	30	29	28	27	26	25	24	23	22	21	20	19	18	17	16
Name									SPIM_120M_DIV_SEL						SPIM_CK_SEL	SPIM_120M_CK_EN
Type									RW						RW	RW
Reset									0	0	1	1	1		0	1
Bit	15	14	13	12	11	10	9	8	7	6	5	4	3	2	1	0
Name		SF_TOP_CLK_SEL		HCLK_2M_SW_DIV_SEL				HCLK_2M_DIV_SEL				HCLK_2M_SRC_CLK_SEL	HCLK_2M_DIV_SW	HCLK_2M_CK_EN		
Type		RW		RW				RO				RW	RW	RW		
Reset		0	0	0	1	1	0	0	0	1	1	0	0	0	0	1

Bit(s)	Name	Description
23:19	SPIM_120M_DIV_SEL	SPIM_120M_DIV_SEL[4:0] Freq. divider factor 5'd0 : x1 (bypass) 5'd1 : x(1/2) 5'd2 : x(1/3) 5'd31: x(1/32)
17	SPIM_CK_SEL	SPIM_CK Select 1'b0 : SPIM_120M_CK 1'b1 : XTAL Clock
16	SPIM_120M_CK_EN	SPIM_120M_CK Output Enable 1'b0 : disable SPIM_120M_CK output 1'b1 : enable SPIM_120M_CK output
14:13	SF_TOP_CLK_SEL	SF_TOP Clock Select 2'bo0 : XTAL Clock 2'b01 :SYS 64M Clock 2'b10 :CM4_HCLK_CK 2'b11 :AON_F32K_CK
12:8	HCLK_2M_SW_DIV_SEL	HCLK_2M_CK SW DIV SEL
7:3	HCLK_2M_DIV_SEL	HCLK_2M_DIV_SEL[4:0] Freq. divider factor 5'd0 : x1 (bypass) 5'd1 : x(1/2) 5'd2 : x(1/3) 5'd31: x(1/32)

Bit(s)	Name	Description
2	HCLK_2M_SRC_CLK_SEL	HCLK_2M_CLK Source Clock Slect 1'b0 : select XTAL clock 1'b1 : select F32K clock
1	HCLK_2M_DIV_SEL_SW	HCLK_2M_CLK SW Mode 1'b0 : HW control 1'b1 : SW control
0	HCLK_2M_CLK_EN	HCLK_2M_CLK enable 1'b0 : disable HCLK_2M_CLK 1'b1 : enable HCLK_2M_CLK

Table 2-10. CM4 HCLK 2M Clock GEN

- Set CM4 Serial Flash Clock to XTAL Clock
 - Set cm4_sf_top_clk_sel[1:0]=2'h0 to switch CM4 Serial Flash clock to XTAL
- Set CM4 Serial Flash Clock to 64MHz (divided from PLL1)
 - If PLL1 is enabled, goes to next step. Otherwise, enable PLL1 and polling to ready
 - Set cm4_sf_top_clk_sel[1:0]=2'h1 to switch CM4 Serial Flash clock to 64MHz (sys_64m_clk)
- Set CM4 Serial Flash Clock to cm4_hclk (Max. frequency is 83.2MHz)
 - Set cm4_sf_top_clk_sel[1:0]=2'h2 to switch CM4 Serial Flash clock to cm4_hclk.

2.3.1.3 CM4 SPI Master Clock Setting

CM4 SPI Master Clock supports 4/6/8/10/12 MHz (divided from 120MHz clock).

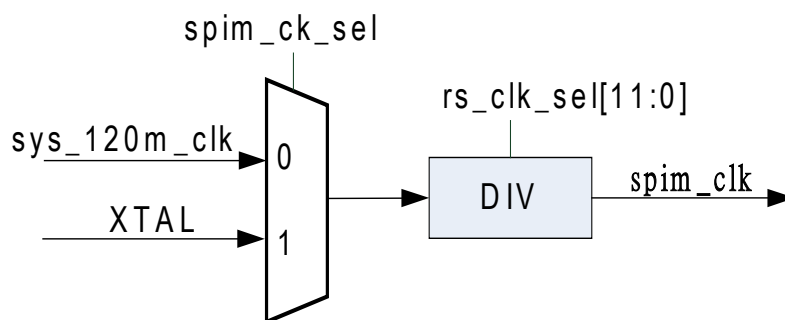


Figure 2-8. CM4 SPI Master Clock Switch

The configure CRs are

spim_clk_sel : 0x830081B4[17]

rs_clk_sel[11:0] : 0x24000028[27:16]

***reference [Table 2-10](#) and [Table 2-11](#)

24000028 SMMR				SPI master mode register											00018880	
Bit	31	30	29	28	27	26	25	24	23	22	21	20	19	18	17	16
Name	rs_slave_sel			clk_mode	rs_clk_sel											
Type	RW			RW	RW											
Reset	0	0	0	0	0	0	0	0	0	0	0	0	0	0	0	1
Bit	15	14	13	12	11	10	9	8	7	6	5	4	3	2	1	0
Name	cs_dsel_cnt				full_duplex	int_en	spi_start_sel	pfetch_en	-	CPHA	CPO L	lsb_first	more_buf_mode	-		
Type	RW				RW	RW	RW	RW	RO	RW	RW	RW	RW	RO		
Reset	1	0	0	0	1	0	0	0	1	0	0	0	0	0	0	0

Bit(s)	Name	Description
31:29	rs_slave_sel	rs_slave_sel. 3'h0: select SPI device #0. (default is flash) 3'h1: select SPI device #1. ~ 3'h7: select SPI device #7.
28	clk_mode	This register is used to specify that period of SCLK HIGH is longer or period of SCLK LOW is longer when clock divisor(rs_clk_sel) is odd. 1'b0: period of SCLK LOW is longer. 1'b1: period of SCLK HIGH is longer.
27:16	rs_clk_sel	Register Space SPI clock frequency select. 12'h0: SPI clock frequency is hclk/2. (50% duty cycle, duty cycle is the ratio of the output high time to the total cycle time) 12'h1: SPI clock frequency is hclk/3. (33.33% or 66.67% duty cycle) 12'h2: SPI clock frequency is hclk/4. (50% duty cycle) 12'h3: SPI clock frequency is hclk/5. (40% or 60% duty cycle) ~ 12'h4095: SPI clock frequency is hclk/4097.
15:11	cs_dsel_cnt	Internal delay the de-select time of SPI chip select is configured to occupy the number of cycles of spim_clk clock.
10	full_duplex	Full duplex or half duplex mode. 1'b0: half duplex mode. 1'b1: full duplex mode. Note: The full_duplex is valid only when more_buf_mode = 1. The transmission is always as half duplex when more_buf_mode = 0;
9	int_en	Interrupt enable. 1'b0: disable SPI interrupt. 1'b1: enable SPI interrupt.

Bit(s)	Name	Description
8	spi_start_sel	The interval between spi_cs_n and spi_sclk. 1'b0: 3 spim_clk 1'b1: 6 spim_clk
7	pfetch_en	SPI pre-fetch buffer enable 1'b0: disable pre-fetch buffer. 1'b1: enable pre-fetch buffer.
6	-	Reserved.
5	CPHA	Initial SPI clock phase for SPI transaction. There are four SPI modes used to latch data. These SPI modes latch data in one of four ways, and are defined by the logic state combinations of the CLK Polarity (CPOL) in relation to the CLK Phase (CPHA). The valid logic combinations identify and determine the SPI modes supported by the SPI device. At CPOL=0 the base value of the clock is zero For CPHA=0 (mode 0), data is read on the clock's rising edge and data is changed on a falling edge. For CPHA=1 (mode 1), data is read on the clock's falling edge and data is changed on a rising edge. At CPOL=1 the base value of the clock is one (inversion of CPOL=0) For CPHA=0 (mode 2), data is read on clock's falling edge and data is changed on a rising edge. For CPHA=1 (mode 3), data is read on clock's rising edge and data is changed on a falling edge.
4	CPOL	Initial SPI clock polarity for SPI transaction.
3	lsb_first	lsb_first. 1'b0: MSB(most significant bit) is transferred first for SPI transaction. 1'b1: LSB(least significant bit) is transferred first for SPI transaction.
2	more_buf_mode	Select 2 words buffer or 8 words buffer for SPI transaction. 1'b0: SPI transfer data buffer size is only 2 words. In this mode, SPI DI/DO data #0 register and SPI opcode/address register are the data buffer for SPI transaction. And, SPI master follows mosi_byte_cnt and miso_byte_cnt to complete the transmission and reception, respectively. This kind of transaction must operate in half duplex mode. 1'b1: SPI transfer data buffer size is 8 words. In this mode, SPI opcode/address register are the data buffer for SPI transaction and follows cmd_bit_cnt to complete the transaction. SPI DI/DO data #0~#7 register are the data buffer for SPI transaction and follows do_bit_cnt and di_bit_cnt to complete the transmission and reception, respectively. In half duplex mode, transmitted data are loaded from SPI opcode/address register and SPI DI/DO data #0~#7 registers. And, the received data will overwrite the SPI DI/DO data #0~#7 registers. In full duplex mode, SPI DI/DO data #0~#3 registers are used for transmission and SPI DI/DO #4~#7 registers are used for receipt.
1:0	-	Reserved.

Table 2-11. SPI Master Mode Register

- Set CM4 SPI Master Clock to 120MHz (divided from PLL2)
 - If PLL2 is not enabled, enable PLL2 and polling to ready.
 - Set spim_clk_sel to 1'b0
 - Set rs_clk_sel[11:0] to 12'h8/12'hA/12'hD/12'h12/12'h1E, SPI Master clock is 12/10/8/6/4MHz. (120MHz / (2+n))
- Set CM4 SPI Master Clock to XTAL Clock
 - Set spim_clk_sel to 1'b1
 - Set rs_clk_sel[11:0] to n, SPI Master clock is (26/(2+n))MHz.

2.3.1.4 I2S Master Clock Setting for External CODEC

I2S Master Clock supports 16MHz (divided from XPLL). HW controls the divider and clock MUX. SW need not to configure it.

2.3.1.5 Audio CODEC Clock Setting

Audio CODE Clock supports 6.5 MHz (divided from XPLL). HW controls the divider and clock MUX. SW need not to configure it.

2.3.1.6 PWM Clock Setting

PWM Clock supports 32 KHz, 2 MHz (divided from XTAL and shared with AUXADC) and XTAL.

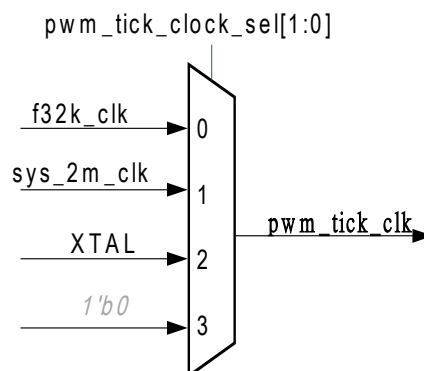


Figure 2-9. PWM Tick Clock Switch

The configure CRs are

pwm_tick_clock_sel[1:0] : 0x830081B4[14:13]

***reference [Table 2-12](#)

8300A600 PWM_GLO_CTRL PWM global control 00000000

Bit Name	31	30	29	28	27	26	25	24	23	22	21	20	19	18	17	16
Type	RO															
Reset	0	0	0	0	0	0	0	0	0	0	0	0	0	0	0	0
Bit	15	14	13	12	11	10	9	8	7	6	5	4	3	2	1	0
Name	-												pwm_global_reset	pwm_tick_clock_sel	global_kick	
Type	RO												RW	RW	WO	
Reset	0	0	0	0	0	0	0	0	0	0	0	0	0	0	0	0

Bit(s) Name	Description
31:4 -	Reserved
3 pwm_global_reset	Write 1 and then write 0 to reset all PWM modules and its parameters (PWM_CTRL/PWM_PARAM_So/PWM_PARAM_S1).
2:1 pwm_tick_clock_sel	PWM tick clock select. 2'h0: 32KHz 2'h1: 2MHz 2'h2: XTAL clock
0 global_kick	All PWM modules with "pwm_global_kick_enable" would be kicked by this bit at the same time

Table 2-12. PWM Global Control

- Set PWM Tick Clock to 32KHz
 - Set pwm_tick_clock_sel[1:0]=2'h0 to switch PWM Tick Clock to 32KHz (f32k_clk)
- Set PWM Tick Clock to 2MHz (divided from XTAL)
 - Set pwm_tick_clock_sel[1:0]=2'h1 to switch PWM Tick Clock to 2MHz (sys_2m_clk)
- Set PWM Tick Clock to XTAL Clock
 - Set pwm_tick_clock_sel[1:0]=2'h2 to switch PWM Tick Clock to XTAL Clock

2.3.1.7 AUXADC Clock Setting

AUXADC Clock only supports 2MHz (divided from XTAL and shared with PWM). And this is HW default setting. SW need not to configure it.

2.3.1.8 CM4 I2C Master Clock Setting

CM4 I2C Master Clock supports 50/100/200/400 KHz. The digital logic clock of I2C Master Controller is XTAL Clock. I2C Master Interface clock (SCL) is controlled by state machine configured by 4 VAL registers. These 4 VAL registers can tune the I2C interface frequency and the phase of SCL and SDA.

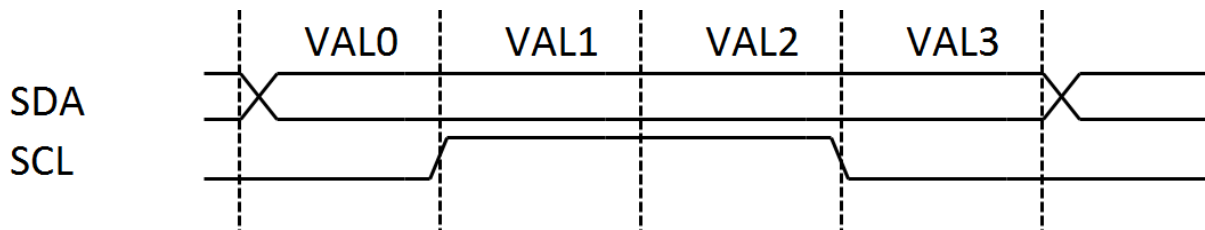


Figure 2-10. I2C Counting VAL Diagram

The configure CRs are

- MM_CNT_PHASE_VAL0[7:0] : x83090244[7:0]
- MM_CNT_PHASE_VAL1[7:0] : x83090244[15:8]
- MM_CNT_PHASE_VAL2[7:0] : x83090248[7:0]
- MM_CNT_PHASE_VAL3[7:0] : x83090248[15:8]

***reference [Table 2-12](#)

83090244 MM_CNT_VAL_PHL Counting Value Phase Low 0000FFFF																
Bit Name	31	30	29	28	27	26	25	24	23	22	21	20	19	18	17	16
Type																
Reset																
Bit	15	14	13	12	11	10	9	8	7	6	5	4	3	2	1	0
Name	MM_CNT_PHASE_VAL1								MM_CNT_PHASE_VAL0							
Type	RW								RW							
Reset	1	1	1	1	1	1	1	1	1	1	1	1	1	1	1	1

Bit(s) Name	Description
-------------	-------------

Bit(s) Name	Description
15:8 MM_CNT_PHASE_VAL1	Phase 1 counting value. SCL rising edge to SDA timing. The STOP condition period.
7:0 MM_CNT_PHASE_VAL0	Phase 0 counting value. SDA to SCL rising edge timing. The data setup time.

83090248 MM_CNT_VAL_PHH Counting Value Phase High 0000FFFF

Bit Name	31	30	29	28	27	26	25	24	23	22	21	20	19	18	17	16
Type																
Reset																
Bit	15	14	13	12	11	10	9	8	7	6	5	4	3	2	1	0
Name	MM_CNT_PHASE_VAL3								MM_CNT_PHASE_VAL2							
Type	RW								RW							
Reset	1	1	1	1	1	1	1	1	1	1	1	1	1	1	1	1

Bit(s) Name	Description
15:8 MM_CNT_PHASE_VAL3	Phase 3 counting value. SCL falling edge to SDA timing. The data hold time.
7:0 MM_CNT_PHASE_VAL2	Phase 2 counting value. SDA to SCL falling edge timing. The START condition period.

Table 2-13. I2C Master Counting Value Phase

- Set I2C Master Clock (SCL)
 - Set MM_CNT_PHASE_VAL0/1/2/3=w/x/y/z to set the SCL frequency to $(26000 / (1+w+x+y+z))$ KHz

2.3.1.9 CM4 UART Clock Setting

CM4 UART Clock (baud rate) supports 9.6/19.2/38.4/115.2 KHz (divided from XTAL). And the baud rate is a complex calculation. MTK provide SW API to configure UART to switch the baud rate and suggest using SW API MTK provided.

2.3.2 Reset

MT76X7 has three global resets: XRESETN, CM4_RESETN, and N9_RESETN. The figure below shows the module that the reset signals are applied to.

CM4 and N9 Reset Tree Architecture

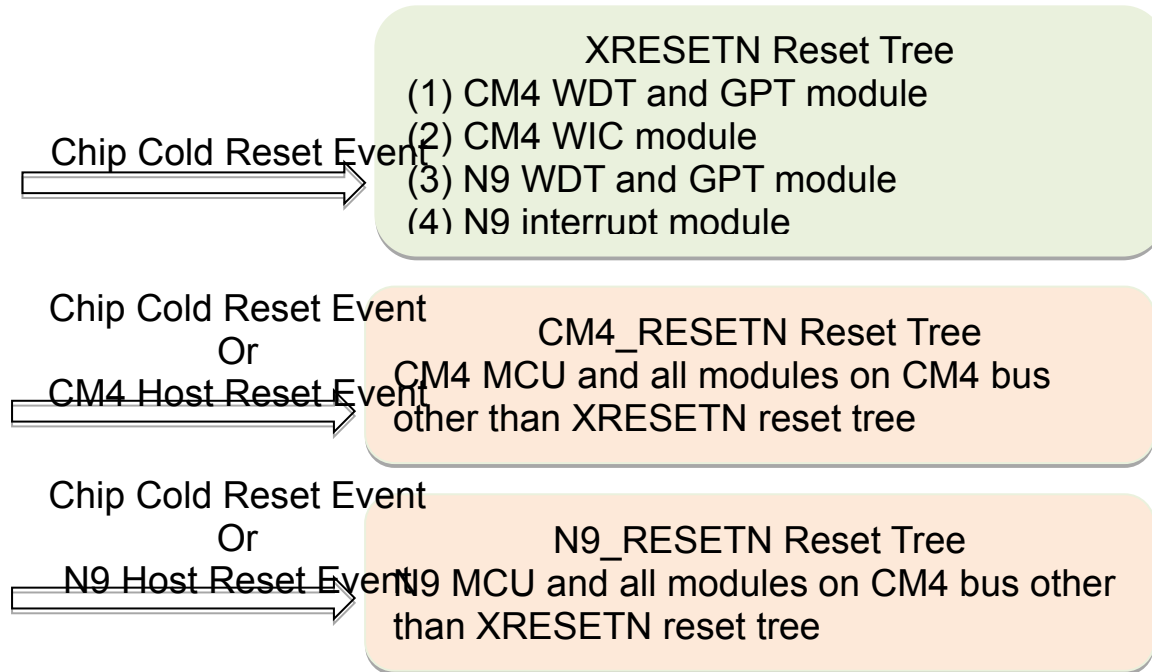


Figure 2-11. Reset Structure

2.4 Application Processor Subsystem

The MCU subsystem consists of a 32-bit MCU, the AHB/APB bus matrix, internal RAM/ROM with ROM patch function, the flash controller, and the system peripherals including Direct Memory Access (DMA) engine and the General Purpose Timer (GPT).

2.4.1 CPU

MT76X7 features an ARM Cortex-M4 processor, which is the most energy efficient ARM processor available. It supports the clock rates from 1MHz up to 192MHz.

The MCU executes the Thumb-2 instruction set for optimal performance and code size, including hardware division, single cycle multiplication, and bit-field manipulation.

MT76X7 includes the memory protection unit (MPU) in Cortex-M4 MCU that provides memory protection features. It can be used to detect unexpected memory access.

MT76X7 also includes floating point unit (FPU) in Cortex-M4 process to support DSP related function.

2.4.2 Cache and Tightly Coupled Memory

2.4.2.1 General Description

MT76X7 has a cache for Cortex-M4 to improve the efficiency of the code and data fetch from the external flash. The only cacheable memory region is the external flash.

MT76X7 also has a Tightly-Coupled-Memory (TCM), a zero-wait-state memory which is dedicated for Cortex-M4 and can be accessed by Cortex-M4 exclusively. It is a memory space for the critical code such as interrupt service routines which needs to be executed with minimum latency. The DMA engines on AHB bus can't access TCM.

The total size of memory of the cache and the TCM is 96KB. Four software-configurable options differ in the size of cache, the size of TCM, and the cache associativity. The user can select the option which maximizes the performance.

The cache system has the following features:

- Configurable 1/2/4-way set associative (8KB/16KB/32KB)
- Each way has 256 cache lines with 8-word link size
- 20-bit tag memory: 19-bit high address and 1-bit valid bit
- 2-bit dirty memory: each dirty bit identifies the dirtiness of half cache line

The size of SRAM is 96KB. It can be configured to the following configuration

- 96KB TCM, no cache
- 88KB TCM, 8KB cache (1 way, direct mapped)
- 80KB TCM, 16KB cache (2 way set-associative)
- 64KB TCM, 32KB cache (4 way set-associative)

The configuration setting and the memory configuration are shown in the following table.

Table 2-14. TCM and Cache Configuration

0x0153_0000[9:8]	Functional Description	Start Address	End Address
00b	96KB TCM, no cache	0x0010_0000	0x0011_7FFF
01b	88KB TCM, 8KB cache, direct mapped	0x0010_0000	0x0011_5FFF
10b	80KB TCM, 16KB cache, 2-way set-associative	0x0010_0000	0x0011_3FFF
11b	64KB TCM, 32KB cache, 4-way set associative	0x0010_0000	0x0010_FFFF

The cache controller provides the user ways to perform cache operations including invalidate single/all cache lines as well as flush one/all cache lines.

To facilitate tuning the system performance, the cache controller can record the statistics of the cache hit count and the number of cacheable memory access. Cache hit rate can be obtained by dividing the cache hit count by the number of memory access.

MT76X7 core processor has been implemented with a TCM sub-system which consists of Core Cache and TCM (tightly coupled memory). This TCM sub-system is placed between the MCU core and AHB bus interface, as shown here.

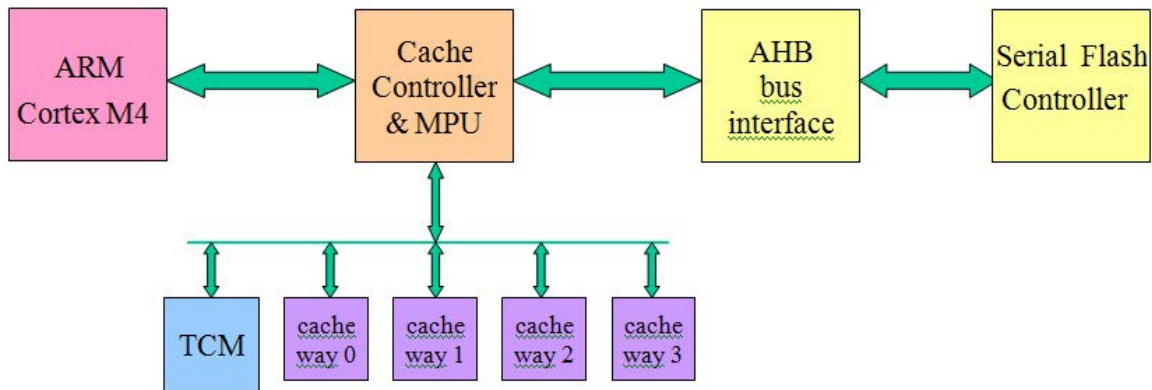


Figure 2-12. MCU, Cache, TCM and AHB Bus Connectivity

TCM is a high-speed (zero wait state) dedicated memory accessed exclusively by MCU. Due to the latency penalty when MCU accesses memory or peripherals through the on-chip bus, by moving timing critical code and data into TCM, the performance of MCU can be enhanced, and the response to particular events can be guaranteed.

Another method to enhance the MCU performance is the implementation of cache. In this case, the core cache is a small block of memory containing a copy of small portion of cacheable data in the external memory. If MCU reads a cacheable datum, the datum will be copied into the core cache. Once MCU requests the same datum again, it can be obtained directly from the core cache (called cache hit) instead of fetching it again from the external memory.

Consider the fact that accessing cache is much faster than accessing external memory through the bus TCM sub-system. A faster instruction fetching can be obtained, and that leads to a higher IPC (Instruction Per Cycle), which is a major factor in the evaluation of core performance. Since a large external memory maps to a small cache, the cache can hold only a small portion of external memory. If MCU accesses a datum not found in the cache (called cache miss), one cache line must be dropped (flushed), the required datum and its neighboring data are transferred from the external memory to cache (called cache line fill). Before cache line fill, an important step to maintain data consistency between cache and external memory needs to be performed. This important step is called “cache write back” (see later sections for details). In this design, a cache line consists of eight words (8x32 bits) (will be introduced later). The best way to utilize TCM is maintaining the critical instruction or data in TCM due to the advantage of TCM described above. After power-on reset, the boot loader copies TCM contents from the external storage (e.g. flash) to the internal TCM. If necessary, MCU can replace TCM contents with other data in the external storage during the runtime to implement a mechanism such as “overlay”. TCM is also an ideal place to place stack data.

The sizes of TCM and cache can be set to one of the following 4 configurations:

- 64KB TCM, 32KB cache (4-way)
- 80KB TCM, 16KB cache (2-way)
- 88KB TCM, 8KB cache (1-way)
- 96KB TCM, 0KB cache (no cache)

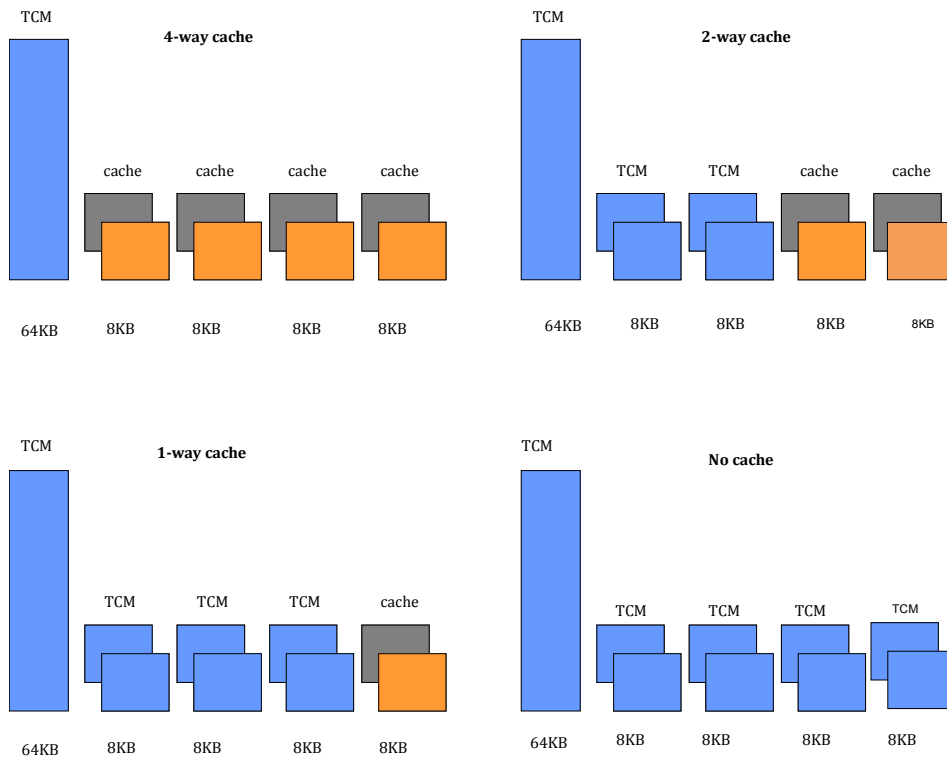


Figure 2-13. Cache Size and TCM Settings

These different configurations provide flexibility for software to adjust and reach optimum TCM sub-system performance.

The address mapping of these memories is shown here:

Table 2-15. TCM Address Spaces of Different Cache Size Settings

Cache size setting	TCM RAM identity	Used as
2'b00 (Total TCM = 96K, cache =	TCM RAM4(8K)	TCM4 (0x0011_6000 ~ 0x0011_7fff)
	TCM RAM3(8K)	TCM3(0x0011_4000 ~ 0x0011_5fff)

Cache size setting	TCM RAM identity	Used as
0)	TCM RAM2(8K)	TCM2 (0x0011_2000 ~ 0x0011_3fff)
	TCM RAM1(8K)	TCM1 (0x0011_0000 ~ 0x0011_1fff)
	TCM RAM0(64K)	TCM0 (0x0010_0000 ~ 0x0010_ffff)
2'b01 (Total TCM = 88K, cache = 8K/1way)	TCM RAM4(8K)	Cache way 3
	TCM RAM3(8K)	TCM3 (0x0011_4000 ~ 0x0011_5fff)
	TCM RAM2(8K)	TCM2 (0x0011_2000 ~ 0x0011_3fff)
	TCM RAM1(8K)	TCM1 (0x0011_0000 ~ 0x0011_1fff)
	TCM RAM0(64K)	TCM0 (0x0010_0000 ~ 0x0010_ffff)
2'b10 (Total TCM = 80K, cache = 32K/2way)	TCM RAM4(8K)	Cache way 3
	TCM RAM3(8K)	Cache way 2
	TCM RAM2(8K)	TCM2 (0x0011_2000 ~ 0x0011_3fff)
	TCM RAM1(8K)	TCM1 (0x0011_0000 ~ 0x0011_1fff)
	TCM RAM0(64K)	TCM0 (0x0010_0000 ~ 0x0010_ffff)
2'b11 (Total TCM = 64K, cache = 32K/4way)	TCM RAM4(8K)	Cache way 3
	TCM RAM3(8K)	Cache way 2
	TCM RAM2(8K)	Cache way 1
	TCM SRAM1(8K)	Cache way 0
	TCM RAM0(64K)	TCM0 (0x0010_0000 ~ 0x0010_ffff)

2.4.2.2 Programming Guide of Cache Size Configuration

Change cache size must follow the steps listed below, to prevent the cache data from loss in the configuration of cache size. At initialize, the cache size is set to 0.

1. Flush all cache lines
2. Invalidate all cache lines
3. Configure the tcm and cache size

The example code is as follows:

```

*(CACHE_OP) = 0x13;//flush all cache lines
*(CACHE_OP) = 0x3;//invalidate all cache lines
int org_cfg = *(CACHE_CON) //read original configuration
*(CACHE_CON)=(org_cfg & 0xffff_fcff) | (cache_size<<8) | 1; //update cache size
    
```

2.4.2.3 Organization of Cache

The cache TCM sub-system has the following features:

- Configurable 1/2/4-way set associative (8KB/16KB/32KB)

- Each way has 256 cache lines with 8-word line size ($256 \times 8 \times 4 = 8\text{KB}$)
- 20-bit tag memory: 19-bit high address and 1-bit valid bit
- 2-bit dirty memory (each dirty bit records the dirtiness of half cache line – 4 words)

Each way of cache comprises two memories: tag memory and data memory. The tag memory stores each line’s valid bit and tag (upper 19 bits of the address). The data memory stores line data. When MCU accesses the memory, the address is compared to the contents of the tag memory. First, the line index (address bit [12:5]) is used to locate a line in the tag memory. When a particular line is found in the tag memory, the upper 19 bits (address bit [31:13]), called tag, of the desired memory address are compared with the content of the found tag line. If an match is found in both line address and tag address plus valid bit is 1, it is said a cache hit, and the data from that particular cache way is returned to MCU. This process is illustrated here..

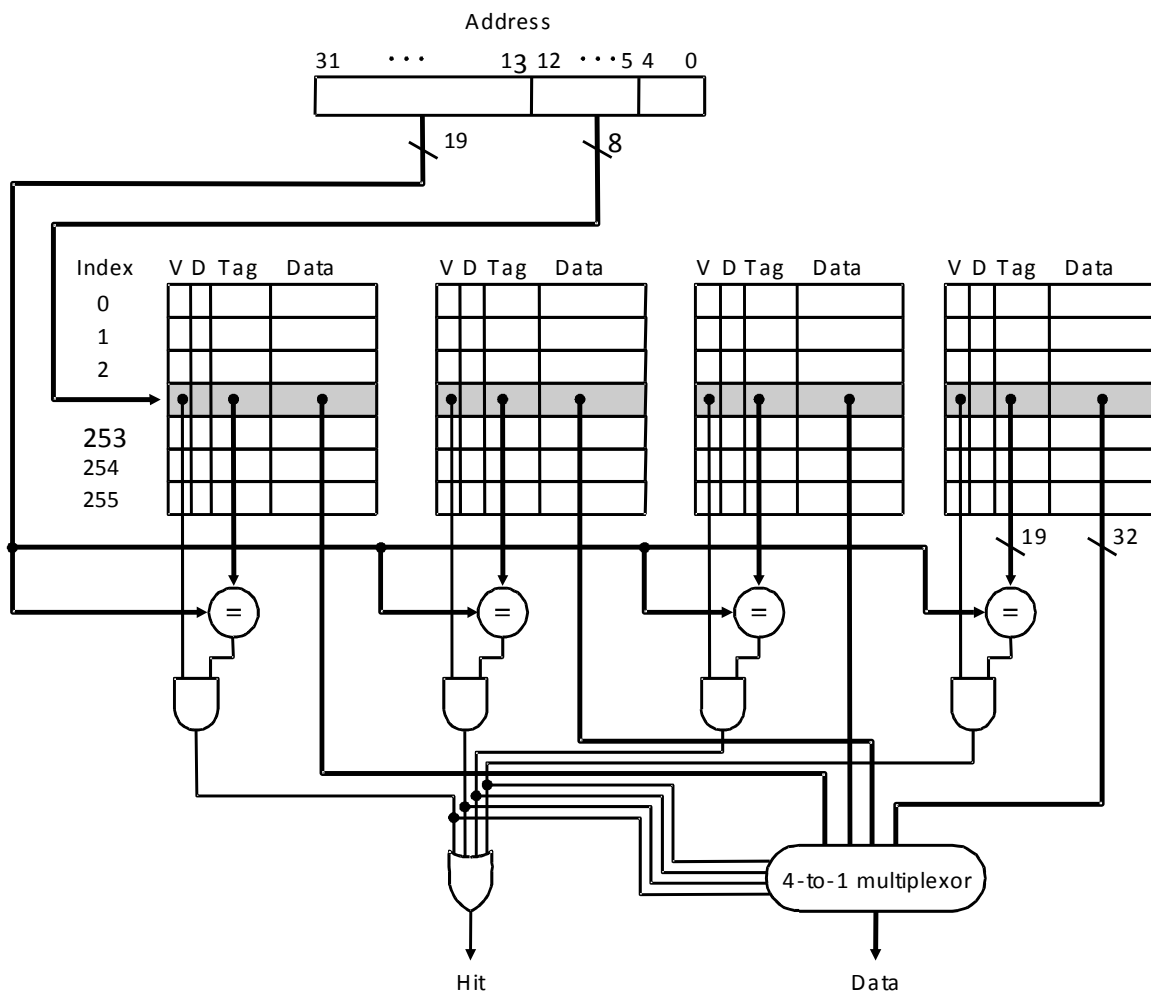


Figure 2-14. Cache Lookup

If most memory accesses are cache hit, MCU is able to acquire data immediately without wait states, and the overall TCM sub-system performance will be higher. There are several factors that may affect the cache hit rate:

- Cache size and the organization

The larger the cache size, the higher the hit rate. However, the hit rate will start to saturate when the cache size is larger than a threshold size. Normally the size of 16KB and above and two or four way can achieve a good hit rate.

- Program behavior

If the TCM sub-system performs several tasks and switches frequently between tasks, the cache contents may have to be flushed out frequently. This is due to the fact that each time a new task runs, the cache will hold its data for a period of time for the opportunity of likely-be-used-again. However, the stored data might get flushed out before being used again if the following task requires the data occupying the same cache entries. Interrupts can cause program flow to change dynamically and reduce the benefit of cache. The interrupt handler code and the data it processes may cause cache to flush out data used by the current task. Thus, after returning from the interrupt handler to current task, the flushed data may need to be filled into the cache again if it is required by the program routine. This will cause performance degradation.

To assist the software engineer to tune the TCM sub-system performance, the cache controller records the cache hit count and number of cacheable memory accesses. The cache hit rate can be obtained from dividing these two numbers.

The cache TCM sub-system also comprises a module called MPU (Memory Protection Unit). MPU prevents illegal memory access and specifies which memory regions are cacheable or non-cacheable. Two fields in the CACHE_CON register control the enabling of MPU functions. MPU has its own registers to define the memory region and associated regions. These settings only take effect after the enabling bit in CACHE_CON is set to 1. For more details on the settings, please refer to the MPU section of this design specification.

2.4.2.4 Theory of Operations

2.4.2.4.1 Write-back/Write-through Configurable Cache

There are two different types of cache designs to maintain the data consistency: cache write-through and cache write-back.

The write-back cache improves the performance especially when processors generate writes as fast as or faster than the writes can be handled by the external memory. However, the implementation of write-back is much harder than that of write-through. When a cache line is dirty, four or eight words will be written back to the external memory at once, and this will certainly occupy significant bus bandwidth and therefore decrease the overall efficiency. To solve this problem, a write buffer is

necessary in the write-back implementation. Once the writes get written into the write buffer, the processor can continue the execution.

For TCM sub-systems with large memory write latency, it is possible that the burst write of cache write-back operation may cause large impact on the TCM sub-system performance. To deal with it, the software can change the cache to write-through mode if necessary.

2.4.2.4.1.1 Write Back Implementation

When a cache hit happens on the write request, only the cache content will be modified, and the dirty bit will be set (in contrast to write-through, write-through modifies both the contents of cache and the external memory). Now the content of the cache location which is just modified is inconsistent with that in the external memory. When the cache misses the read request, line fill will be performed, and a randomly selected cache line will be replaced, but before that, the dirty bits of that selected cache line have to be checked for the necessity of write-back. If the dirty bits are not set, line fill can proceed right away, and the selected cache line can be simply flushed and replaced by a newly fetched line from the external memory which consists of the requested data. On the other hand, if one of or both the dirty bits are set, write-back has to be performed before line fill. In that case, half or the entire cache line are written into the write buffer. See the following figure for summary:

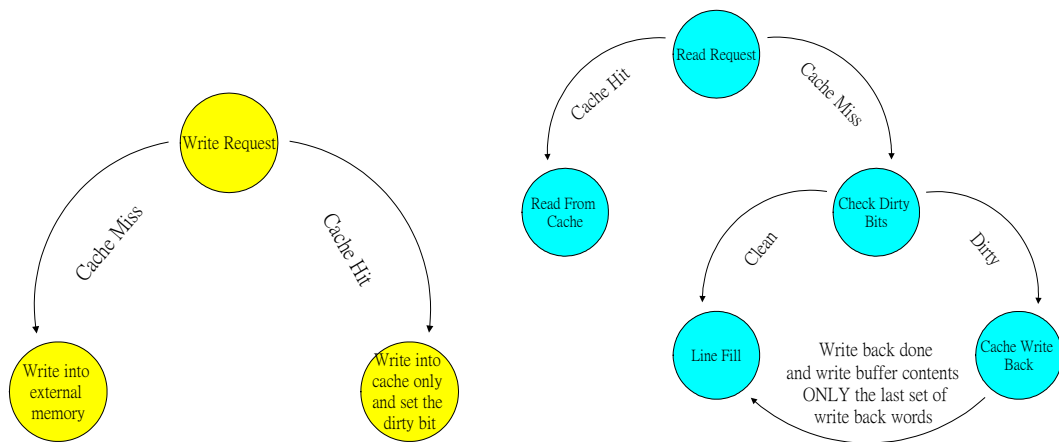


Figure 2-15. Cache Miss/Refill Criterion

2.4.2.4.1.2 Write Buffer

The write buffer consists of address buffer, data buffer, HTRANS buffer, HSIZE buffer, HLOCK buffer, and HBURST buffer. The write buffer is first-in-first-out (FIFO) design, and the depth of write buffer is eight words. Since the outputs from code cache meet the AMBA format, the address buffer and data buffer are independent, and the outputs of write buffer also meet AMBA format and are designed for pipelining.

2.4.2.4.2 Cache Operation

Upon power-on, the cache memory contains random values, and these numbers are useless for MCU. MCU needs to flush out the cache content in each cache line before being utilized. The cache controller provides a register which, when written, can operate on the cache memory to fulfill the necessary prerequisite mentioned above (called cache operation). The operation involves:

- **Invalidate one cache line**

The user must give a memory address. If it is found within cache, that particular cache line containing the given address will be invalidated. The invalidation is done by writing a 0 to the valid bit at the corresponding tag line. Alternatively, the user can invalidate a cache line by specifying a set/way mapped to that cache line.

- **Invalidate all cache lines**

The user does not need to specify an address. The cache controller clears valid bits in all tag lines when this operation is requested.

- **Flush one cache line**

The user must give a memory address. If it is found within cache and the dirty bit or bits are set, that particular cache line containing the given address will be flushed into the write buffer. Alternatively, the user can invalidate a cache line by specifying a set/way mapped to that cache line. This operation is not supported if the cache is operating in the write-through mode.

- **Flush all cache lines**

The user needs not to specify an address. The cache controller flushes all the cache lines with the dirty bit or bits set. This operation is not supported if the cache is operating in the write-through mode.

2.4.2.4.3 Cache Activity Summary

Table 2-16. Write-back Mode Cache R/W Action Summary

Op	Cacheable	Hit	Dirty		Action
			W0~W3	W4~W7	
Rd	N	d	D	d	Single read
	Y	Y	d	d	Return data, no stall
		N	N	N	Line refill from bus using AHB WRAP8 burst
			N	Y	1) Evict half line to WBuf. 2) Line refill from bus using AHB WRAP8 burst.
			Y	N	3) Write back half line from WBuf using AHB INCR4 burst write.

Op	Cacheable	Hit	Dirty		Action
			W0~W3	W4~W7	
			Y	Y	1) Evict whole line to WBuf. 2) Line refill from bus using AHB WRAP8 burst. 3) Write back whole line from WBuf using AHB INCR8 burst write.
Wr	N	d	d	d	1) Wait for WBuf space. 2) Place write data into write WBuf and let ARM proceed (CLKEN = 1). Stall ARM by one cycle.
	Y	Y	d	d	1) Write to data SRAM; meanwhile set up corresponding dirty bit 2) Stall ARM by one cycle to avoid struct hazard.
		N	d	d	1) Wait for WBuf space. 2) Place write data into write WBuf and let ARM proceed (CLKEN=1). Stall ARM by one cycle.

Legend Y: yes, N: no, d: don't care

Table 2-17. Write-through Mode Cache R/W Action Summary

Op	Cacheable	Hit	Action
Rd	N	d	Single read
	Y	Y	Return data, no stall
		N	
Wr	N	d	1) Wait for WBuf space. 2) Place write data into write WBuf and let ARM proceed (CLKEN = 1). Stall ARM by one cycle.
	Y	N	1) Wait for WBuf space. 2) Place write data into write WBuf and let ARM proceed (CLKEN = 1). Stall ARM by one cycle.
		Y	1) Write to data SRAM. 2) Wait for WBuf space. 3) Place write data into write WBuf and let ARM proceed (CLKEN = 1). Stall ARM by one cycle.

Legend Y: yes, N: no, d: don't care

2.4.2.5 MPU

2.4.2.5.1 General Description

MPU provides a protection mechanism and cacheable indication of memory, which features:

- Protection settings
Determine if MCU can read/write a memory region. If the setting does not allow MCU's particular access to a memory address, MPU will stop the memory access and issue the "ABORT"

signal to MCU, making it entering the “abort” mode. The exception handler must then process the situation.

- Cacheable settings

Determine a memory region is cacheable or not. If cacheable, MCU will keep a small copy in its cache after read accesses. If MCU requires the same data later, it can acquire it from the high-speed local copy, instead of from the low-speed external memory.

The 4GB memory space is divided into 16 memory blocks with 256MB size each, i.e. MB0 ~ MB15. EMI takes MB0 ~ MB3, TCM RAM takes MB4, TCM uses MB5, APB peripherals MB8. The characteristics of these memory blocks are listed below:

- Read/write protection setting
- All MBs are determined by MPU.
- Cacheable setting

All MBs are determined by MPU. *Note that the software should avoid making cache line access to the MB that does not support burst read/write.* Usually only MB0 ~ MB3, mapped to EMI, are set as cacheable regions.

2.4.2.5.2 Protection Settings

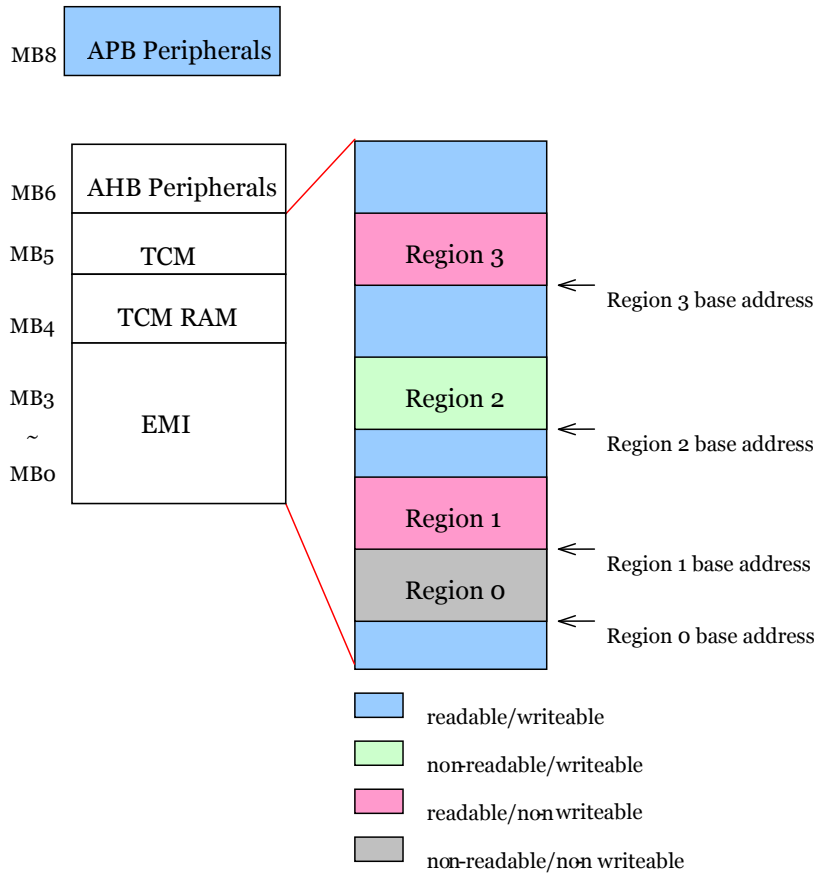


Figure 2-16: MPU Protection Setting Example

For example, the figure above illustrates the protection setting in each memory block. Five regions are defined in the figure. *Note that each region can be continuous or non-continuous to each other, and those address ranges not covered by any region are set to be readable/writeable automatically. There is one restriction: Different regions must not overlap.*

The user can define maximum 16 regions in MB0 ~ MB4 and MB10. Each region has its own setting defined in a 32-bit register:

In whole chip simulation, three patterns are used to verify l1cache, as shown in the following table.

Table 2-18. Test Patterns for Whole Chip Simulation

Testlist	Testname	Description
mcu_cm4_indium.list	Cache_test	Test l1cache function

Testlist	Testname	Description
mcu_cm4_indium.list	Cache_ram	Test tcm ram read/write access
mcu_cm4_indium.list	Cm4_xip_flash	1. CM4 boot from rom, enable cache controller 2. jump to serial flash to execute XIP

2.4.2.6 Remapping

MT76X7 cache provides two register sets for the software programmer to make the actual memory address same as different CPU load/store target address. The following figure shows the scenario: The software sets 0x10xxxxx to cacheable but 0x1Fxxxxx to non-cacheable, but they are mapped to the same physical address.

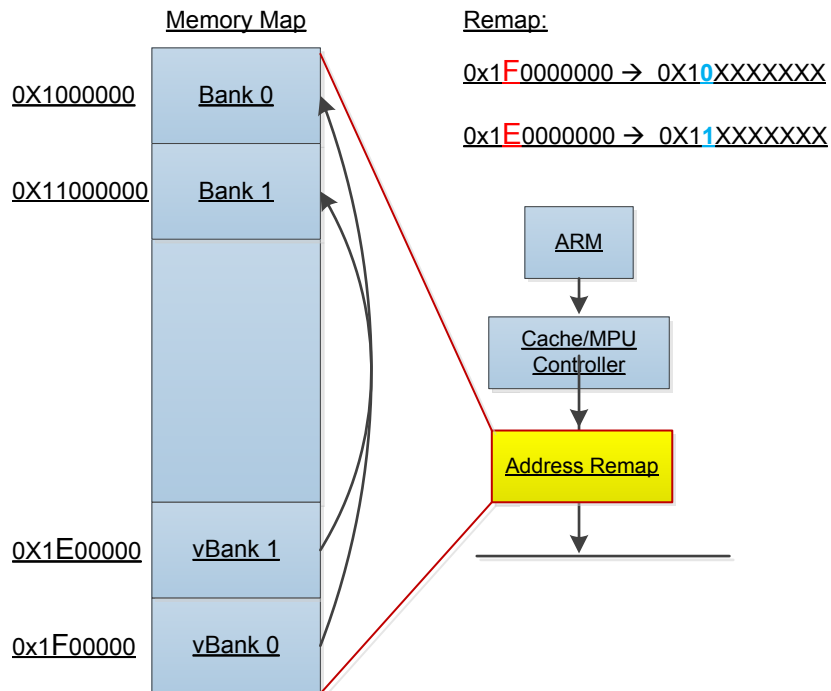


Figure 2-17: Example Settings of Cache Remapping

To achieve this:

1. Set region begin with 0x1000_0000 to cacheable using MPU.
2. Set region begin with 0x1F00_0000 to non-cacheable using MPU.

3. Set BASEADDR field in Remap EntryHi to 0x1F00_0000.
4. Set BASEADDR field in Remap EntryLo to 0x1000_0000.

2.4.2.7 Register Definitions

Module name: l1cache Base address: (+1530000h)

Address	Name	Width	Register Function
01530000	<u>Cache_con</u>	32	Cache general control register
01530004	<u>CACHE_OP</u>	32	Cache operation
01530008	<u>cache_hcntoL</u>	32	Cache hit count 0 lower part
0153000C	<u>cache_hcntoU</u>	32	Cache hit count 0 upper part
01530010	<u>cache_CcntoL</u>	32	Cacheable access count 0 lower part
01530014	<u>cache_CcntoU</u>	32	Cacheable access count 0 upper part
01530018	<u>cache_hcnt1L</u>	32	Cache hit count 1 lower part
0153001C	<u>cache_hcnt1U</u>	32	Cache hit count 1 upper part
01530020	<u>cache_Ccnt1L</u>	32	Cacheable access count 1 lower part
01530024	<u>cache_Ccnt1U</u>	32	Cacheable access count 1 upper part
01530028	<u>way_replace_policy</u>	32	Replace policy
0153002C	<u>mpu_channel_en</u>	32	MPU channel enable
01531000	<u>NCREMAP_HI0</u>	32	Remap Entry_HI0
01531004	<u>NCREMAP_LO0</u>	32	Remap Entry_LO0
01531008	<u>NCREMAP_HI1</u>	32	Remap Entry_HI1
0153100C	<u>NCREMAP_LO1</u>	32	Remap Entry_LO1
01540000~ 0154003c	<u>mpu_entry [n]</u> (n=0~15)	32	MPU N-th channel control
01540040~ 0154007c	<u>mpu_End_entry [n]</u> (n=0~15)	32	MPU N-th channel control

01530000		<u>Cache_con</u>											Cache general control register					00000000				
Bit	31	30	29	28	27	26	25	24	23	22	21	20	19	18	17	16						
Name																						
Type																						
Reset																						
Bit	15	14	13	12	11	10	9	8	7	6	5	4	3	2	1	0						
Name							CACHE	SI	MD			CN	CN	MP	Mp	MC						
Type							ZE	RF				TE	TE	DE	en	EN						
Reset												N1	No	Fen								
							RW	RW				RW	RW	RW	RW	RW						
							0	0	0			0	0	0	0	0						

Bit(s)	Name	Description
9:8	CACHESIZE	Selects cache size 00 No cache 01 8KB, 1-way cache 10 16KB, 2-way cache 11 32KB, 4-way cache
7	MDRF	Enables early restart function 0 Disable 1 Enable
4	CNTEN1	Enables cache hit counter 1 If enabled, the cache controller will increment a 48-bit counter by one when a cache hit is detected. This number can provide a reference in performance evaluation for tuning application programs. This counter increments only when the data are obtained from MPU cacheable region 8 ~ 15. 0 Disable 1 Enable
3	CNTEN0	Enables cache hit counter 0 If enabled, the cache controller will increment a 48-bit counter by one when a cache hit is detected. This number can provide a reference in performance evaluation for tuning application programs. This counter increments only when the data are obtained from MPU cacheable region 0 ~ 7. 0 Disable 1 Enable
2	MPDEFen	Enables MPU default protection attribute If enabled, the default protection will be in privilege mode read/write. The user mode is not accessible. 0 Disable 1 Enable
1	Mpen	Enables MPU comparison of read/write permission setting If disabled, MCU can access any memory without restriction. If enabled, MPU will compare the address of MCU to MPU protection setting. If the MCU accessed address falls into the restricted region, MPU will stop this memory access and send an "ABORT" signal to MCU. For details, please refer to the MPU part of this specification. 0 Disable 1 Enable
0	MCEN	Enables MPU comparison of cacheable/non-cacheable setting If disabled, MCU memory accesses are all non-cacheable, i.e. they will go through the AHB bus (except for TCM access). If enabled, the setting in MPU will take effect. If MCU accesses a cacheable memory region, the cache controller will return the data in cache if it is found in cache and will get the data through the AHB bus only if a cache miss occurs. For details, please refer to the MPU part of this specification. 0 Disable 1 Enable

01530004 CACHE_OP					Cache operation							00000000				
Bit	31	30	29	28	27	26	25	24	23	22	21	20	19	18	17	16
Name	TADDR[31:5]															
Type	RW															

Reset	0	0	0	0	0	0	0	0	0	0	0	0	0	0	0	0
Bit	15	14	13	12	11	10	9	8	7	6	5	4	3	2	1	0
Name	TADDR[31:5]											OP[3:0]			EN	
Type	RW											RW			RW	
Reset	0	0	0	0	0	0	0	0	0	0	0	0	0	0	0	0

Bit(s)	Name	Description
31:5	TADDR[31:5]	Target address This field contains the address of invalidation operation. If OP[3:0] = 0010, TADDR[31:5] will be the address[31:5] of a memory whose line will be invalidated if it exists in the cache. If OP[3:0] = 0100, TADDR[12:5] will indicate the set, while TADDR[19:16] indicate which way to clear: 0001 way #0 0010 way #1 0100 way #2 1000 way #3
4:1	OP[3:0]	Operation This field determines which cache operations will be performed. 0001 invalidate all cache lines 0010 invalidate one cache line using address 0100 invalidate one cache line using set/way 1001 flush all cache lines 1010 flush one cache line using address 1100 flush one cache line using set/way
0	EN	Enables command This enabling bit must be written 1 to enable the command. 0 Does not enable 1 Enable

01530008 cache_hcntoL																Cache hit count 0 lower part																00000000																
Bit	31	30	29	28	27	26	25	24	23	22	21	20	19	18	17	16	31	30	29	28	27	26	25	24	23	22	21	20	19	18	17	16	31	30	29	28	27	26	25	24	23	22	21	20	19	18	17	16
Name	Chit_cnto[31:0]																																															
Type	RW																																															
Reset	0	0	0	0	0	0	0	0	0	0	0	0	0	0	0	0	0	0	0	0	0	0	0	0	0	0	0	0	0	0	0	0	0	0	0	0	0	0	0	0	0	0	0	0	0	0	0	0
Bit	15	14	13	12	11	10	9	8	7	6	5	4	3	2	1	0	15	14	13	12	11	10	9	8	7	6	5	4	3	2	1	0	15	14	13	12	11	10	9	8	7	6	5	4	3	2	1	0
Name	Chit_cnto[31:0]																																															
Type	RW																																															
Reset	0	0	0	0	0	0	0	0	0	0	0	0	0	0	0	0	0	0	0	0	0	0	0	0	0	0	0	0	0	0	0	0	0	0	0	0	0	0	0	0	0	0	0	0	0	0	0	0

Bit(s)	Name	Description
31:0	Chit_cnto[31:0]	Cache hit count 0 WRITE Write any value to CACHE_HCNToL or CACHE_HCNToU clears CHIT_CNTo to all 0. READ Current counter value

0153000C cache_hcntoU Cache hit count o upper part 00000000

Bit	31	30	29	28	27	26	25	24	23	22	21	20	19	18	17	16
Name																
Type																
Reset																
Bit	15	14	13	12	11	10	9	8	7	6	5	4	3	2	1	0
Name	Chit_cnto[47:32]															
Type	RW															
Reset	0	0	0	0	0	0	0	0	0	0	0	0	0	0	0	0

Bit(s)	Name	Description
15:0	Chit_cnto[47:32]	Cache hit count o WRITE Write any value to CACHE_HCNToL or CACHE_HCNToU clears CHIT_CNTo to all o. READ Current counter value

01530010 cache_CcntoL Cacheable access count o lower part 00000000

Bit	31	30	29	28	27	26	25	24	23	22	21	20	19	18	17	16
Name	CACC_cnto[31:0]															
Type	RW															
Reset	0	0	0	0	0	0	0	0	0	0	0	0	0	0	0	0
Bit	15	14	13	12	11	10	9	8	7	6	5	4	3	2	1	0
Name	CACC_cnto[31:0]															
Type	RW															
Reset	0	0	0	0	0	0	0	0	0	0	0	0	0	0	0	0

Bit(s)	Name	Description
31:0	CACC_cnto[31:0]	Cache access count o WRITE Write any value to CACHE_CCNToL or CACHE_CCNToU clears CACC_CNTo to all o. READ Current counter value

01530014 cache_CcntoU Cacheable access count o upper part 00000000

Bit	31	30	29	28	27	26	25	24	23	22	21	20	19	18	17	16
Name																
Type																

Reset																
Bit	15	14	13	12	11	10	9	8	7	6	5	4	3	2	1	0
Name	CACC_cnto[47:32]															
Type	RW															
Reset	0	0	0	0	0	0	0	0	0	0	0	0	0	0	0	0

Bit(s)	Name	Description
--------	------	-------------

15:0	CACC_cnto[47:32]	<p>Cache access count 0</p> <p>WRITE Write any value to CACHE_CCNT0L or CACHE_CCNT0U clears CACC_CNT0 to all 0.</p> <p>READ Current counter value</p> <p>The best way to use CACHE_HCNT0 and CACHE_CCNT0 is to set the initial value to 0 for both registers, enable both counters (set CNTEN0 to 1), run a portion of program to be benchmarked, stop the counters and get their values. Therefore, during this period,</p>
------	------------------	---

The cache hit rate value may help tune the performance of the application program. Note that CHIT_CNT0 and CACC_CNT0 only increment if the cacheable attribute is defined in MPU cacheable region lower half channels (i.e. channel 0 ~ 7 of the total 16 channels).

01530018 cache_hcnt1L **Cache hit count 1 lower part** **00000000**

Bit	31	30	29	28	27	26	25	24	23	22	21	20	19	18	17	16
Name	Chit_cnt1[31:0]															
Type	RW															
Reset	0	0	0	0	0	0	0	0	0	0	0	0	0	0	0	0
Bit	15	14	13	12	11	10	9	8	7	6	5	4	3	2	1	0
Name	Chit_cnt1[31:0]															
Type	RW															
Reset	0	0	0	0	0	0	0	0	0	0	0	0	0	0	0	0

Bit(s)	Name	Description
--------	------	-------------

31:0	Chit_cnt1[31:0]	<p>Cache hit count</p> <p>WRITE Write any value to CACHE_HCNT1L or CACHE_HCNT1U clears CHIT_CNT1 to all 0.</p> <p>READ Current counter value</p>
------	-----------------	---

0153001C cache_hcnt1U **Cache hit count 1 upper part** **00000000**

Bit	31	30	29	28	27	26	25	24	23	22	21	20	19	18	17	16
Name																

e																
Type																
Reset																
Bit	15	14	13	12	11	10	9	8	7	6	5	4	3	2	1	0
Name	Chit_cnt1[47:32]															
Type	RW															
Reset	0	0	0	0	0	0	0	0	0	0	0	0	0	0	0	0

Bit(s)	Name	Description
15:0	Chit_cnt1[47:32]	Cache hit count WRITE Write any value to CACHE_HCNT1L or CACHE_HCNT1U clears CHIT_CNT1 to all 0. READ Current counter value

01530020 cache Ccnt1L Cacheable access count 1 lower part 00000000

Bit	31	30	29	28	27	26	25	24	23	22	21	20	19	18	17	16
Name	CACC_CNT1[31:0]															
Type	RW															
Reset	0	0	0	0	0	0	0	0	0	0	0	0	0	0	0	0
Bit	15	14	13	12	11	10	9	8	7	6	5	4	3	2	1	0
Name	CACC_CNT1[31:0]															
Type	RW															
Reset	0	0	0	0	0	0	0	0	0	0	0	0	0	0	0	0

Bit(s)	Name	Description
31:0	CACC_CNT1[31:0]	Cache access count 1 WRITE Write any value to CACHE_CCNT1L or CACHE_CCNT1U clears CACC_CNT1 to all 0. READ Current counter value

01530024 cache Ccnt1U Cacheable access count 1 upper part 00000000

Bit	31	30	29	28	27	26	25	24	23	22	21	20	19	18	17	16
Name																
Type																
Reset																
Bit	15	14	13	12	11	10	9	8	7	6	5	4	3	2	1	0
Name	CACC_CNT1[47:32]															
Type	RW															
Reset	0	0	0	0	0	0	0	0	0	0	0	0	0	0	0	0

t

Bit(s)	Name	Description
15:0	CACC_CNT1[47:32]	Cache access count 1 WRITE Write any value to CACHE_CCNT1L or CACHE_CCNT1U clears CACC_CNT1 to all 0. READ Current counter value

01530028 way replace policy Replace policy 00000001

Bit	31	30	29	28	27	26	25	24	23	22	21	20	19	18	17	16
Name																
Type																
Reset																
Bit	15	14	13	12	11	10	9	8	7	6	5	4	3	2	1	0
Name																Re pla ce pol icy
Type																RW
Reset																1

Bit(s)	Name	Description
0	Replace policy	Replace policy 0 Using way_counter which counts in every cycle to make it more like random. 1 Replace the lower way first if that way is not valid. If all ways are valid, replace policy is random.

0153002C mpu channel en MPU channel enable 00000000

Bit	31	30	29	28	27	26	25	24	23	22	21	20	19	18	17	16
Name																
Type																
Reset																
Bit	15	14	13	12	11	10	9	8	7	6	5	4	3	2	1	0
Name	CH15~CH0															
Type	RW															
Reset	0	0	0	0	0	0	0	0	0	0	0	0	0	0	0	0

Bit(s)	Name	Description
15:0	CH15~CH0	Enables/Disables the associated region 0 Disable the region setting

Bit(s)	Name	Description
1		Enable the region setting

01531000 NCREMAP_HI0 Remap Entry_HI0 00000000

Bit	31	30	29	28	27	26	25	24	23	22	21	20	19	18	17	16
Name	BASEADDR															
Type	RW															
Reset	0	0	0	0	0	0	0	0	0	0	0	0	0	0	0	0
Bit	15	14	13	12	11	10	9	8	7	6	5	4	3	2	1	0
Name	BASEADDR										size					EN
Type	RW										RW					RW
Reset	0	0	0	0	0	0	0				0	0	0	0	0	0

Bit(s)	Name	Description
31:9	BASEADDR	Base address of this region
5:1	size	Size of this region. Actual size = 2^(size +9) Bytes, max size is 256MB.
0	EN	Enables this region 0 Disable 1 Enable

01531004 NCREMAP_LO0 Remap Entry_LO0 00000000

Bit	31	30	29	28	27	26	25	24	23	22	21	20	19	18	17	16
Name	BASEADDR															
Type	RW															
Reset	0	0	0	0	0	0	0	0	0	0	0	0	0	0	0	0
Bit	15	14	13	12	11	10	9	8	7	6	5	4	3	2	1	0
Name	BASEADDR															
Type	RW															
Reset	0	0	0	0	0	0	0									

Bit(s)	Name	Description
31:9	BASEADDR	This register sets up the mapped address base of CPU access which hits NC-Remap Entry_HI.

01531008 NCREMAP_HI1 Remap Entry_HI1 00000000

Bit	31	30	29	28	27	26	25	24	23	22	21	20	19	18	17	16
Name	BASEADDR															

e																
Type	RW															
Reset	0	0	0	0	0	0	0	0	0	0	0	0	0	0	0	0
Bit	15	14	13	12	11	10	9	8	7	6	5	4	3	2	1	0
Name	BASEADDR										size					EN
Type	RW										RW					RW
Reset	0	0	0	0	0	0	0				0	0	0	0	0	0

Bit(s)	Name	Description
31:9	BASEADDR	Base address of this region
5:1	size	Size of this region. Actual size = 2^(size +9) Bytes, max size is 256MB.
0	EN	Enables this region 0 Disable 1 Enable

0153100C NCREMAP LO1 Remap Entry LO1 00000000

Bit	31	30	29	28	27	26	25	24	23	22	21	20	19	18	17	16
Name	BASEADDR															
Type	RW															
Reset	0	0	0	0	0	0	0	0	0	0	0	0	0	0	0	0
Bit	15	14	13	12	11	10	9	8	7	6	5	4	3	2	1	0
Name	BASEADDR															
Type	RW															
Reset	0	0	0	0	0	0	0									

Bit(s)	Name	Description
31:9	BASEADDR	This register sets up the mapped address base of CPU access which hits NC-Remap Entry1_HI. Note that the base and size settings in 2 EntryHi cannot be overlapped. Otherwise, the resultant mapped address will be undefined.

01540000 mpu entry MPU N-th channel control 00000000
 ~ [n](n=0~15)
0154003C

Bit	31	30	29	28	27	26	25	24	23	22	21	20	19	18	17	16
Name	BASEADDR															
Type	RW															
Reset	0	0	0	0	0	0	0	0	0	0	0	0	0	0	0	0

Bit	15	14	13	12	11	10	9	8	7	6	5	4	3	2	1	0	
Name	BASEADDR								C	ATTR							
Type	RW								RW	RW							
Reset	0	0	0	0	0	0	0	0	0	0	0						

Bit(s)	Name	Description
31:9	BASEADDR	start addr of MPU
8	C	Cacheable Attribute, Cacheable setting and non-cacheable setting are similar to cache protection settings . 0: non-cacheable 1: cacheable Note that each region can be continuous or non-continuous to each other. For those address ranges not covered by any region in the MPU cacheable settings are set to be uncacheable automatically. There is one restriction: Different regions must not overlap.
7:5	ATTR	Protection modes 3'd0: no protection 3'd1: Only R/W for privilege mode access 3'd2: Only R/W for privilege mode access; read access to user mode 3'd3: Only R/W for privilege mode access; write access to user mode 3'd4: Only read for privilege/user mode 3'd5: Both R/W are forbidden 3'd6: Privilege mode read only; no access to user mode

01540040 mpu End entry **MPU N-th channel control** **00000000**
 ~ **[n](n=0~15)**
0154007C

Bit	31	30	29	28	27	26	25	24	23	22	21	20	19	18	17	16
Name	BASEADDR															
Type	RW															
Reset	0	0	0	0	0	0	0	0	0	0	0	0	0	0	0	0
Bit	15	14	13	12	11	10	9	8	7	6	5	4	3	2	1	0
Name	BASEADDR															
Type	RW															
Reset	0	0	0	0												

Bit(s)	Name	Description
31:12	BASEADDR	END addr of MPU

2.4.3 Bus Fabric

MT76X7 implements AHB/APB bus fabric to connect the MCU, memory, IO peripherals, and the radio subsystem.

- ILM/DLM: Instruction Local Memory / Data Local Memory, the zero-wait-state local memory for Radio MCU.
- Wi-Fi HIF: The data interface to Wi-Fi Packet switch engine.
- BT FIFO I/F: The control/data interface to Bluetooth subsystem.

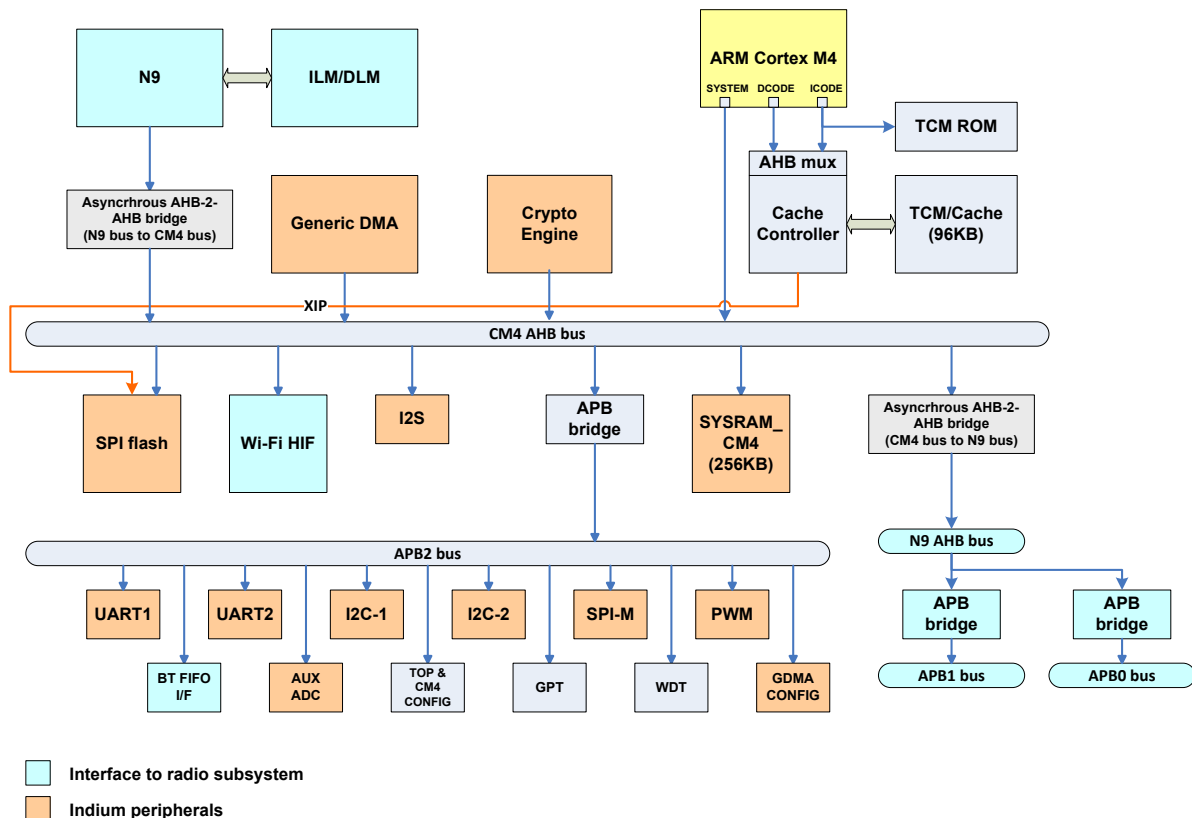


Figure 2-18. CM4 Subsystem – Bus Fabric

The AHB bus arbitration adopts round-robin scheme.

The N9 subsystem and Cortex M4 subsystem are in different clock domains, so the asynchronous bridges are inserted in the bus fabric. N9 has the ability to (but would be rarely used) all the M4 peripherals.

2.4.4 Serial Flash Controller

2.4.4.1 General Description

MT76X7 features a serial flash controller that can support the serial flash with the read mode of (JEDEC) standard SPI mode, SPI-Quad mode, QPI (Quad Peripheral Interface) mode, Dual IO mode, and Dual-Output mode.

The frequency of the serial clock rate is up to 64MHz. That provides 256Mbps equivalent throughput on flash when SPI-quad mode or QPI mode is used.

Table 2-19. Flash Controller Support Read Mode

Read Mode	Description
SPI	1xIO for receiving command and address, 1xIO for output data
SPI-Quad	1xIO for receiving command, 4xIO for address, 4xIO for output data
QPI	4xIO for receiving command/address and output data
Dual-IO	1xIO for command, 2xIO for address and output data
Dual-Output	1xIO for receiving command, 2xIO for address and output data

The Serial Flash Controller Supports Two Operation Modes:

- Direct read mode, which supports a high-throughput direct-access through AHB bus
- Macro access mode, which supports flash access with arbitrary command and is through APB bus.

2.4.4.2 Block Diagram

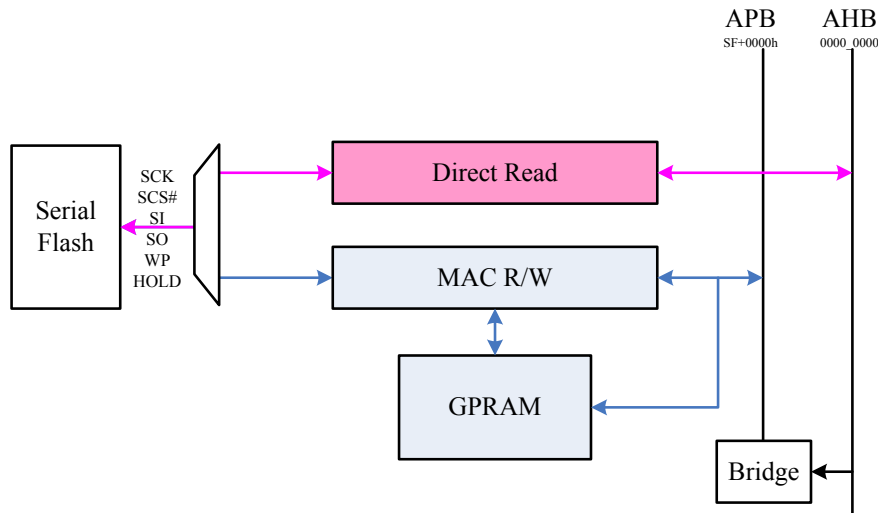


Figure 2-19. Serial flash controller block diagram

See Figure 2-19 for the block diagram of MT7697 serial flash controller. There are two exclusive control paths, “Direct Read” and “Macro R/W”, and each path can only be enabled to access a device once at a time. Direct Read supports convenient high-speed serial nor-flash code fetching through AHB and can be used for boot-up without any register setting. Macro R/W supports flexible command sequence GPRAM (general-purpose SRAM) through APB.

In Figure 2-20, the SF_TOP in the system block diagram is shown with red line block. The SF_TOP have 2 AHB interfaces and 1 APB interface. These interfaces are listed as follows:

- AHB interface (direct read): base address = 0x3000_0000, which is connected to AHB layer 5 and used for dma_cm4.
- AHB interface (direct read): base address = 0x1000_0000, which is connected to cache controller and used for cm4 only.
- APB interface (mac mode): base address = 0x8307_0000, which is connected to APB layer 2 and programmed for cm4.

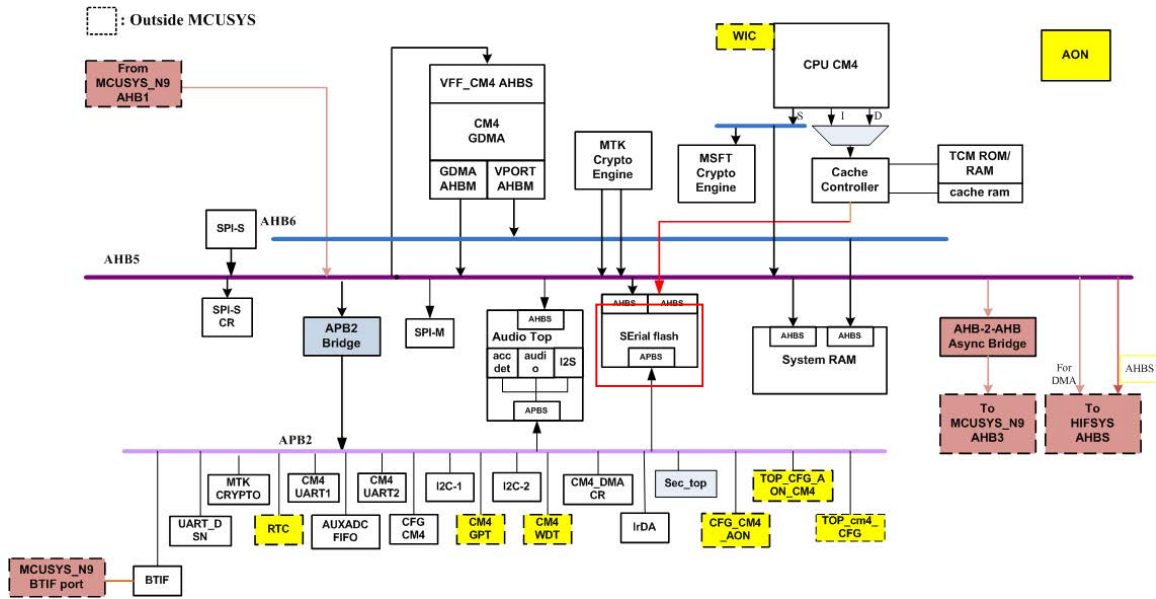


Figure 2-20. The red line block is the SF_TOP in MCUSYS_CM4.

2.4.4.3 Serial Flash Related Waveform

2.4.4.3.1 Direct Read for SPI

Direct Read (FAST_READ) -- command:0BH (SPI)

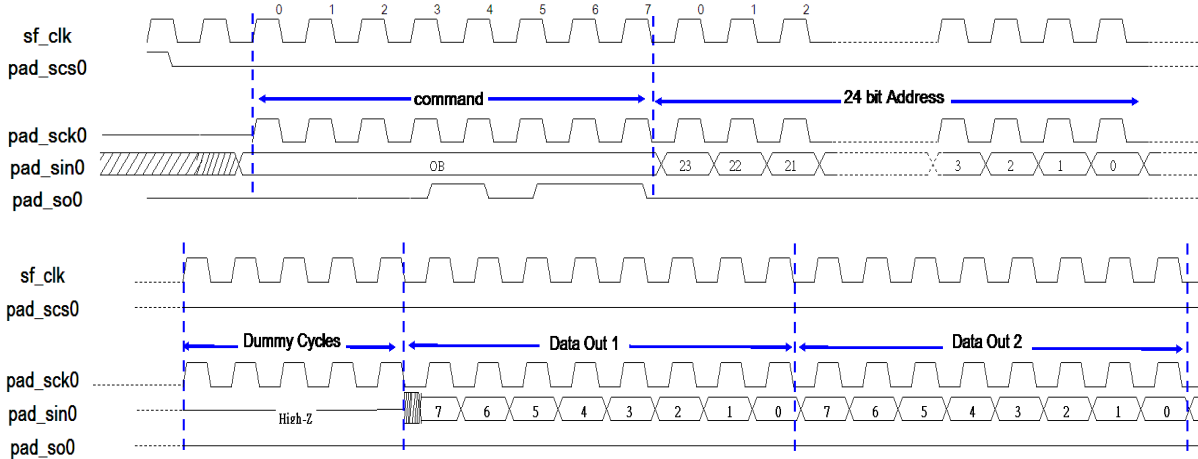


Figure 2-21. Example for direct read for SPI mode

2.4.4.3.2 Quad I/O Read

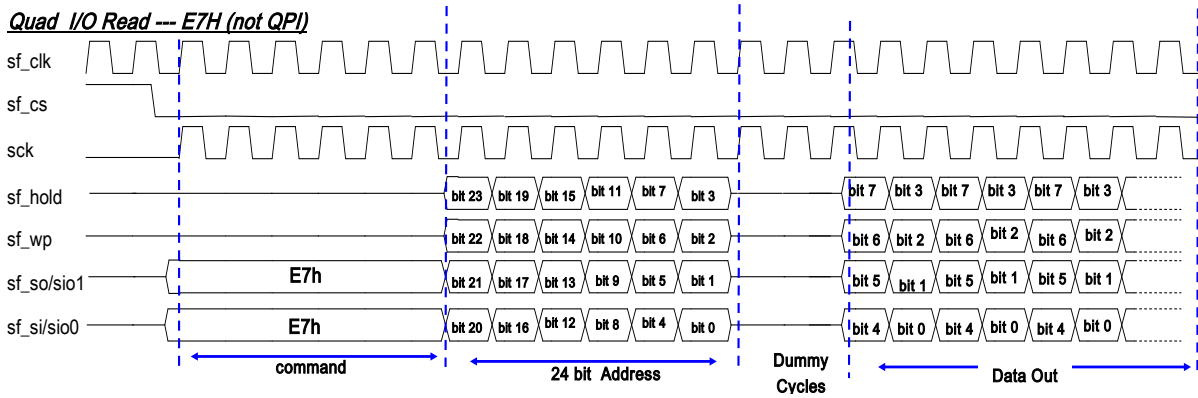


Figure 2-22. Example for quad I/O read in SPI mode

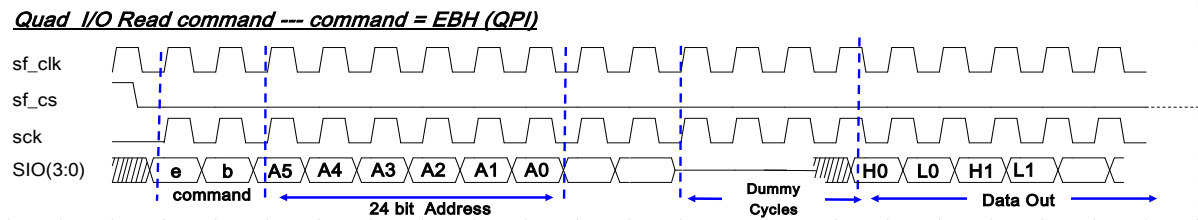


Figure 2-23. Example for quad I/O read in QPI mode

SIO [3:0] = {pad_hold, pad_wp, pad_sin0, pad_so0}

H0 = MSB of output data 0

L0 = LSB of output data 0

A5 includes address bit 23 to bit 20. A4 includes address bit 19 to bit 16.

A3 includes address bit 15 to bit 12. A2 includes address bit 11 to bit 8.

A1 includes address bit 7 to bit 4. A0 includes address bit 3 to bit 0.

2.4.4.3.3 Direct Read Behavior Waveform

- Direct Read Mode (SPI)

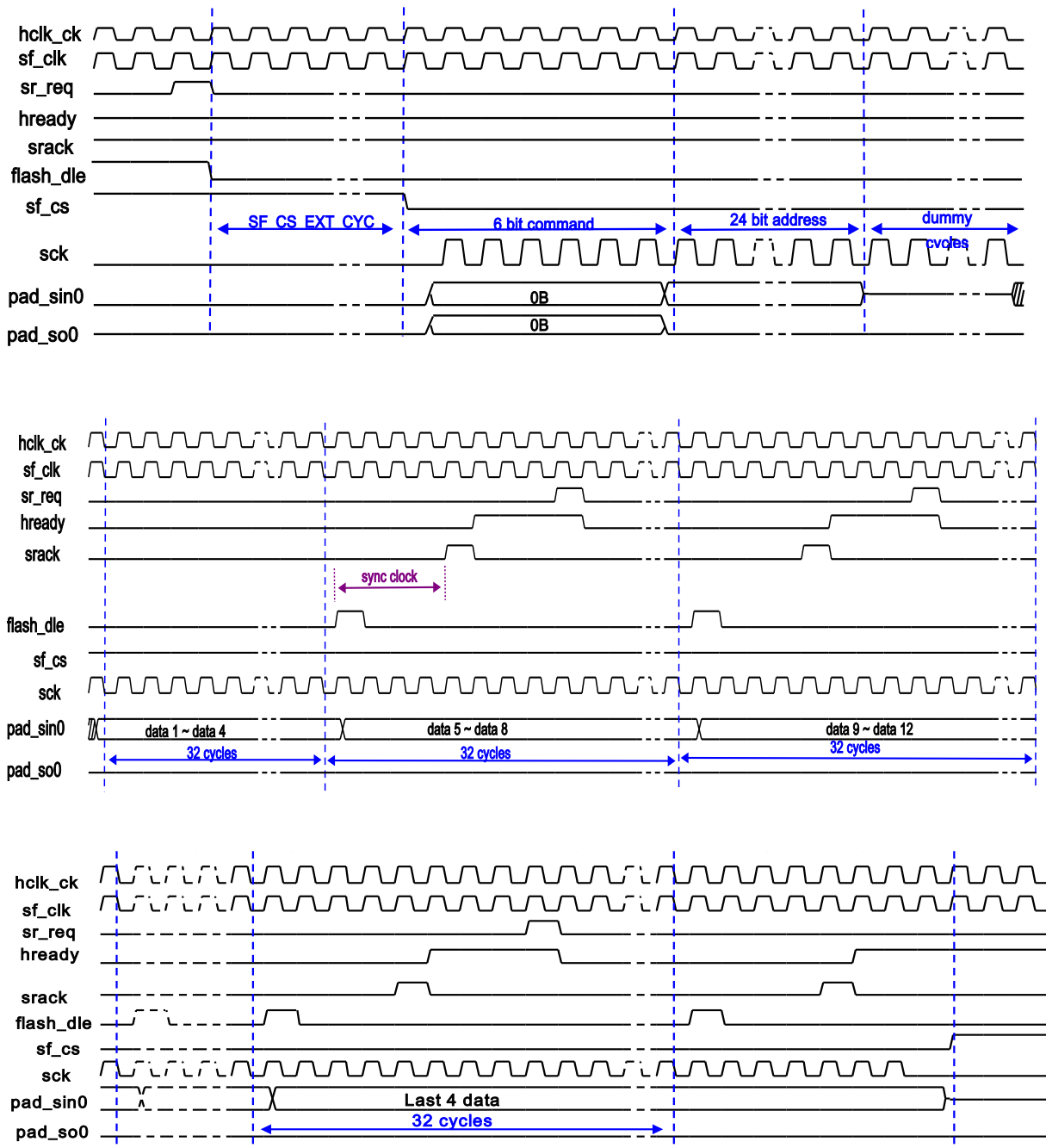


Figure 2-24. Direct read waveform for SPI mode

● Direct Read Mode (QPI)

Overhead transaction cycles (from AHB sending request to AHB finishing reading data)

$$= (1 \text{ request cycle} + \text{SF_CS_EXT_CYC}) + (2 \text{ command cycles}) + (6 \text{ address cycles}) + (\text{dummy cycles}) + 6 * (\text{fSFC/fAHB}) \text{ synchronizing overhead} + 2 \text{ latency cycles} + (8 * \text{number of transfers}) + \text{AHB_REQ_1TLH_EN} + \text{DEL_LATCH_LATENCY} + \text{FIFO_RD_LTC}$$

= SF_CS_EXT_CYC + AHB_REQ_1TLH_EN + DEL_LATCH_LATENCY + FIFO_RD_LTC + (8*number of transfers) + dummy cycles + 11 cycles + 6*(fSFC/fAHB) synchronizing overhead,

(cycle period = sfc cycle period)

$$\text{Number of Transfer} = \begin{cases} \text{Serial Flash Read Data Byte} / 4, & \text{if Serial Flash Read Data Bytes can be divided by 4} \\ \lfloor \text{Serial Flash Read Data Byte} / 4 \rfloor + 1, & \text{otherwise} \end{cases}$$

For example, SF_CS_EXT_CYC is 2 cycles, AHB_REQ_1TLH_EN = 0, DEL_LATCH_LATENCY = 1, FIFO_RD_LTC = 2, dummy cycle = 6 cycles, serial flash read data byte is 32, serial flash frequency is 78MHz, and AHB frequency is 52MHz. Therefore, the transaction cycles is 2 + 0 + 1 + 2 + 8*8 + 6 + 11 + 6*(78/52) = 95 cycles

- **Direct Read Mode (SPI-Quad with serial flash device not supporting wrap)**

Overhead transaction cycles (from AHB sending request to AHB finishing reading data)

= (1 request cycle + SF_CS_EXT_CYC) + (2 command cycles) + (6 address cycles) + (dummy cycles) + 6*(fSFC/fAHB) synchronizing overhead + 2 latency cycles + (8*number of transfers) + AHB_REQ_1TLH_EN + DEL_LATCH_LATENCY + FIFO_RD_LTC + 2*(number of transfers data read from pre-fetch buffer)*(fSFC/fAHB) synchronizing overhead

= SF_CS_EXT_CYC + AHB_REQ_1TLH_EN + DEL_LATCH_LATENCY + FIFO_RD_LTC + (8*number of transfers) + dummy cycles + 11 cycles + 6*(fSFC/fAHB) + 2*(number of transfers data read from pre-fetch buffer)*(fSFC/fAHB) synchronizing overhead,

(cycle period = sfc cycle period)

$$\text{Number of Transfer} = \begin{cases} \text{Serial Flash Read Data Byte} / 4, & \text{if Serial Flash Read Data Bytes can be divided by 4} \\ \lfloor \text{Serial Flash Read Data Byte} / 4 \rfloor + 1, & \text{otherwise} \end{cases}$$

For example, SF_CS_EXT_CYC is 4 cycles, AHB_REQ_1TLH_EN = 1, DEL_LATCH_LATENCY = 1, FIFO_RD_LTC = 2, dummy cycle = 6 cycles, serial flash read data byte is 32, serial device not supporting wrap, the first access data from bus is the last 4 bytes of the 32-byte data, serial flash frequency is 78MHz, and AHB frequency is 52MHz.

Therefore, the transaction cycles is 2 + 1 + 1 + 2 + 8*8 + 6 + 11 + 6*(78/52) + 2*[(32-4)/4] = 110 cycles

- **Macro Mode (QPI)**

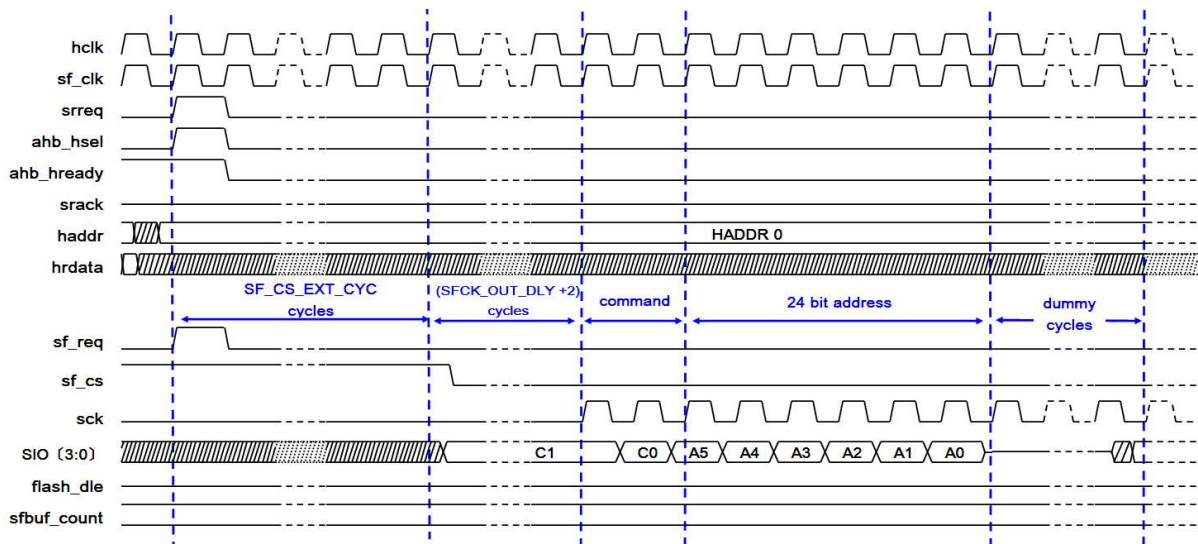
Overhead transaction cycles (from AHB sending request to Serial flash controller finishing reading data from serial flash device)

= 6 cycles (from AHB sending request through APB to Serial Flash controller) + (Serial Flash Macro input data length + Serial Flash Macro Output data length)*2 * (fAPB/fSFC) + DEL_LATCH_LATENCY * (fAPB/fSFC) + 2 latency cycles

(cycle period = APB cycle period)

For example: Serial flash macro input data length = 3, output data length = 2, DEL_LATCH_LATENCY =1, serial flash frequency is 78MHz, and APB frequency is 52MHz. Therefore, the transaction cycle is $6+(3+2)*2*(52/78)+1*(52/78)+ 2 = 6 + 7 + 1 + 2 = 16$ cycles

Signal explanation:	
hclk: AHB clock	SIO[3:0]={HOLD, WP, SO, SI}
sf_clk: serial flash controller clk	flash_dle: Indicates the serial flash buffer is full
srreq: AHB slave read request	sdbuf_count: Serial flash buffer counter
ahb_hsel: AHB hsel signal	A5: Address bit 23 to bit 20
ahb_hready: AHB hready signal	A4: Address bit 19 to bit 16
srack: AHB slave read ack signal	A3: Address bit 15 to bit 12
haddr: AHB HADDR	A2: Address bit 11 to bit 8
hrdata: AHB HRDATA	A1: Address bit 7 to bit 4
sf_req: Serial flash request	A0: Address bit 3 to bit 0
sf_cs: Serial flash chip select	H0: MSB of output data 0
sck: Serial flash clock	L0 = LSB of output data 0
SIO[3:0]: Serial flash quad io	



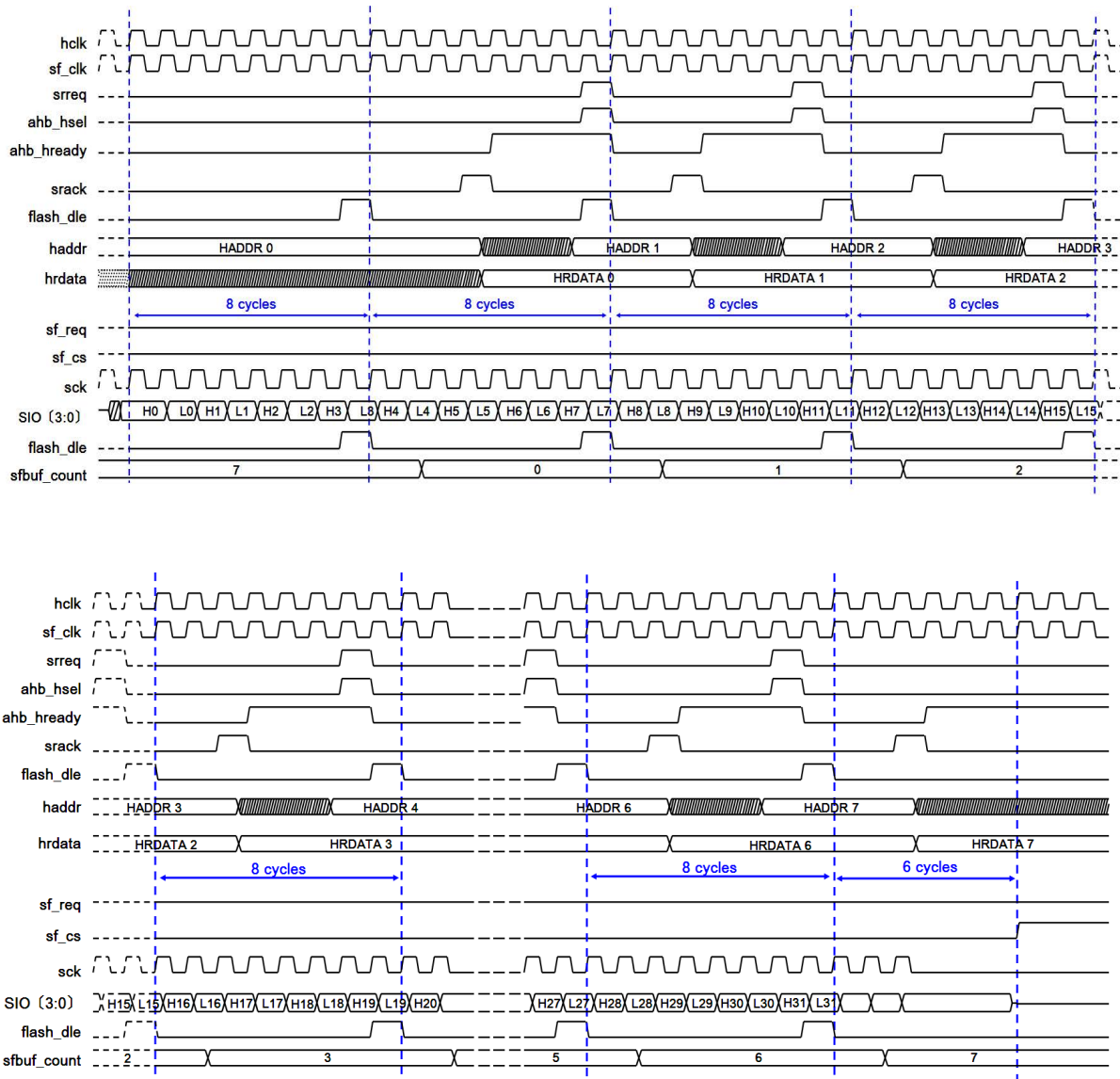


Figure 2-25. Direct read waveform for QPI mode

2.4.4.4 Programming Guide

2.4.4.4.1 Read Back Register after Value Change

Due to the bridge latency when setting up APB registers (see Figure 2-19), registers affecting AHB such as SF_DIRECT_CTL may be unstable if AHB is accessed immediately. Therefore, it is suggested that after changing AHB related registers, e.g. SF_DIRECT_CTL, the registers should be read back again before accessing AHB.

2.4.4.4.2 Serial Flash Command Sequence Control Example

SF indicates the APB interface base address = 0x8307_0000.

Address	Register name	R/W	Value	Loop	Flash command	
SF + 0000h	SF_MAC_CTL		W	0x00000008		
SF + 0800h	SF_GPRAM_DATA		W	0x00000006	WE (Write Enable)	
SF + 0004h	SF_MAC_OUTL		W	0x00000001		
SF + 0008h	SF_MAC_INL		W	0x00000000		
SF + 0000h	SF_MAC_CTL		W	0x0000000C		
SF + 0000h	SF_MAC_CTL	R		[1] = 1, [0] = 0		loop
SF + 0000h	SF_MAC_CTL		W	0x00000008		
SF + 0800h	SF_GPRAM_DATA		W	0x452301D8	BE (Block Erase)	
SF + 0004h	SF_MAC_OUTL		W	0x00000004		
SF + 0008h	SF_MAC_INL		W	0x00000000		
SF + 0000h	SF_MAC_CTL		W	0x0000000C		
SF + 0000h	SF_MAC_CTL	R		[1] = 1, [0] = 0		loop
SF + 0000h	SF_MAC_CTL		W	0x00000008		
SF + 0800h	SF_GPRAM_DATA		W	0x00000005	RDSR (Read Status Register)	
SF + 0004h	SF_MAC_OUTL		W	0x00000001		
SF + 0008h	SF_MAC_INL		W	0x00000001		
SF + 0000h	SF_MAC_CTL		W	0x0000000C		loop
SF + 0000h	SF_MAC_CTL	R		[1] = 1, [0] = 0		
SF + 0000h	SF_MAC_CTL		W	0x00000008		
SF + 0800h	SF_GPRAM_DATA	R		[8] = 0 (flash WIP)		
SF + 0800h	SF_GPRAM_DATA		W	0x00000006	WE (Write Enable)	
SF + 0004h	SF_MAC_OUTL		W	0x00000001		
SF + 0008h	SF_MAC_INL		W	0x00000000		
SF + 0000h	SF_MAC_CTL		W	0x0000000C		
SF + 0000h	SF_MAC_CTL	R		[1] = 1, [0] = 0		loop
SF + 0000h	SF_MAC_CTL		W	0x00000008		
SF + 0800h	SF_GPRAM_DATA		W	0x45230102	PP (Page Program)	
SF + 0804h	SF_GPRAM_DATA		W	0x78563412		
SF + 0808h	SF_GPRAM_DATA		W	0xddccbbaa		
SF + 0004h	SF_MAC_OUTL		W	0x0000000C		
SF + 0008h	SF_MAC_INL		W	0x00000000		
SF + 0000h	SF_MAC_CTL		W	0x0000000C		
SF + 0000h	SF_MAC_CTL	R		[1] = 1, [0] = 0		loop
SF + 0000h	SF_MAC_CTL		W	0x00000008		

Address	Register name	R/W		Value	Loop	Flash command
SF + 0800h	SF_GPRAM_DATA		W	0x00000005		RDSR (Read Status Register)
SF + 0004h	SF_MAC_OUTL		W	0x00000001		
SF + 0008h	SF_MAC_INL		W	0x00000001		
SF + 0000h	SF_MAC_CTL		W	0x0000000C		
SF + 0000h	SF_MAC_CTL	R		[1] = 1, [0] = 0	loop	
SF + 0000h	SF_MAC_CTL		W	0x00000008		
SF + 0800h	SF_GPRAM_DATA	R		[8] = 0 (flash WIP)		

2.4.4.5 Register Definitions

Module name: `sf_top` Base address: (+83070000h)

Address	Name	Width	Register Function
83070000	<u>SF_MAC_CTL</u>	32	Serial flash macro R/W control
83070004	<u>SF_DIRECT_CTL</u>	32	Serial flash direct read setting
83070008	<u>SF_MISC_CTL1</u>	32	Serial flash clock MISC controller setting 1
83070010	<u>SF_MAC_OUTL</u>	32	Serial flash macro output data length
83070014	<u>SF_MAC_INL</u>	32	Serial flash macro input data length
8307001C	<u>SF_STA2_CTL</u>	32	Serial flash static control setting 2
83070020	<u>SF_DLY_CTL1</u>	32	Serial flash delay controller setting 1
83070024	<u>SF_DLY_CTL2</u>	32	Serial flash delay controller setting 2
83070028	<u>SF_DLY_CTL3</u>	32	Serial flash delay controller setting 3
83070044	<u>SF_MISC_CTL3</u>	32	Serial flash MISC control setting 3
83070080	<u>SF_PERF_MON1</u>	32	Serial flash performance monitor 1
83070084	<u>SF_PERF_MON2</u>	32	Serial flash performance monitor 2
83070088	<u>SF_PERF_MON3</u>	32	Serial flash performance monitor 3
8307008C	<u>SF_PERF_MON4</u>	32	Serial flash performance monitor 4
83070090	<u>SF_PERF_MON5</u>	32	Serial flash performance monitor 5
83070094	<u>SF_PERF_MON6</u>	32	Serial flash performance monitor 6
83070098	<u>SF_PERF_MON7</u>	32	Serial flash performance monitor 7
8307009C	<u>SF_PERF_MON8</u>	32	Serial flash performance monitor 8
830700A0	<u>SF_PERF_MON9</u>	32	Serial flash performance monitor 9
830700A4	<u>SF_PERF_MON10</u>	32	Serial flash performance monitor 10
83070800~ 8307089c	<u>SF_GPRAM_DATA [n]</u> (n=0~39)	32	Serial flash macro R/W memory data (160 bytes)

83070000 SF_MAC_CTL Serial flash macro R/W control 00010000

Bit	31	30	29	28	27	26	25	24	23	22	21	20	19	18	17	16
Name																RELEASE_MAC
Type																RW
Reset																1
Bit	15	14	13	12	11	10	9	8	7	6	5	4	3	2	1	0
Name	ABORT_CLR	SF_ABORT	SF_ABOT_REQ_SRC				SF_IRQ_EN	SF_IRQ_ACK	HW_QPI	MAC_MASK_OP	MAC_MASK_SK	MAC_XI_OSEL	SF_MAC_EN	SF_TRIG	WIP_READY	WIP
Type	RU	RW	RU				RW	RW	RW	RW	RW	RW	RW	RW	RU	RU
Reset	0	0	0	0			0	0	0	0	0	0	0	0	0	0

Bit(s)	Name	Description
16	RELEASE_MAC	Prevents hanging the AHB bus. As the serial flash enters the MAC mode, it will raises SF_ABORT to "high" for the MCU to interrupt the current transaction and check if the AHB bus is hanged. If Release_MAC is set to 1, SF_ABORT will not be raised to 1. In the DEBUG develop segment, set this bit to 1 when the serial flash enters the macro mode, and SF_ABORT will not be raised to 1. The serial flash will continue the next operation event though the data read are wrong. 0 Disable 1 Enable
15	ABORT_CLR	Clears serial flash abortion. As we would like to exit the serial flash abortion status, ABORT_CLR must be set to 1 to clear the SF_ABORT status and then set ABORT_CLR back to 0 to detect another serial flash abortion. 0 Disable 1 Enable
14	SF_ABORT	Serial flash abortion status register. As the AHB bus raises request in the MAC mode, it will cause the abortion of the serial flash controller. 0 Does not abort 1 Abort
13:12	SF_ABOT_REQ_SRC	Request source of serial flash abortion 00 Does not abort 01 Abortion is caused by MCU. 10 Abortion is caused by ALICE.
9	SF_IRQ_EN	Serial flash interrupt enable during serial flash abortion 0 Disable 1 Enable
8	SF_IRQ_ACK	Serial flash interrupt acknowledged signal 0 Non-acknowledged 1 Acknowledged
7	HW_QPI	AHB mode for QPI/SPI setting 0 SPI 1 QPI
6	MAC_MASK_OP	Serial flash hardware DIRECT/MAC mode auto switch

Bit(s)	Name	Description
5	MAC_MASK	<p>setting. If setting MAC_MASK_OP=1 then trigger SF_TRIG=1, hardware module will auto switch to MAC mode until MAC mode operation finished.</p> <p>0 Disable 1 Enable</p> <p>Serial flash software DIRECT/MAC mode switch setting. If MAC_MASK is set to 1, the hardware will switch to the MAC mode manually and will not permit any DIRECT mode access until MAC_MASK=0. It is suggested to run MAC mode in internal sysram code if MAC_MASK = 1 by software setting.</p> <p>0 Disable 1 Enable</p>
4	MAC_XIO_SEL	<p>MAC mode for QPI/SPI setting</p> <p>0 SPI 1 QPI</p>
3	SF_MAC_EN	<p>Switches the serial flash control to update the macro. Please set up this bit before triggering the update macro (It is suggested to run MAC mode in internal sysram code due to DIRECT/MAC cannot run at the same time. Another way to switch to hardware auto switch mode by setting up MAC_MASK_OP)</p> <p>0 Disable 1 Enable (Direct read is forbidden when SF_MAC_EN = 1)</p>
2	SF_TRIG	<p>Serial flash write macro trigger</p> <p>0 Disable 1 Enable (Fill command sequence I/O length before SF_TRIG)</p>
1	WIP_READY	<p>WIP register status ready for access. WIP_READY exits due to asynchronous latency delay before flash responds to WIP</p> <p>0 WIP not ready for read 1 WIP ready for read (Check if WIP_READY = 1 before the next command sequence)</p>
0	WIP	<p>Serial flash command write in process</p> <p>0 Flash update finished (Check if WIP = 0 before the next command sequence) 1 Not finished</p>

83070004 SF_DIRECT_CTL Serial flash direct read setting oBoB7710

Bit	31	30	29	28	27	26	25	24	23	22	21	20	19	18	17	16
Name	SF_CTRL_CMD1								SF_CTRL_CMD2							
Type	RW								RW							
Reset	0	0	0	0	1	0	1	1	0	0	0	0	1	0	1	1
Bit	15	14	13	12	11	10	9	8	7	6	5	4	3	2	1	0
Name	CMD1_DUMMY_CYC				CMD2_DUMMY_CYC					SF_READ_MODE			CM_D2_E_XT_A_DD_R_EN	SF_CMD2_EN	CM_D1_E_XT_A_DD_R_EN	SF_QPI_EN
Type	RW				RW					RW			RW	RW	RW	RW
Reset	0	1	1	1	0	1	1	1		0	0	1	0	0	0	0

Bit(s)	Name	Description
31:24	SF_CTRL_CMD1	Serial flash DIRECT read mode command 1 register setting for DUAL/QIO/QPI mode. *value = efuse{0x102[7:0]}
23:16	SF_CTRL_CMD2	Serial flash DIRECT read mode command 2 register setting for DUAL/QIO/QPI mode. *value = efuse{0x103[7:0]}
15:12	CMD1_DUMMY_CYC	Serial flash read mode dummy cycles for SF_CTRL_CMD1 setting 4'b0000 1T 4'b0001 2T 4'b 0010 3T 4'b 0011 4T 4'b 0100 5T 4'b 0101 6T 4'b 0110 7T 4'b 0111 8T 4'b 1000 9T 4'b 1001 10T 4'b 1010 11T 4'b 1011 12T 4'b 1100 13T 4'b 1101 14T 4'b 1110 15T 4'b 1111 16T
11:8	CMD2_DUMMY_CYC	*value = efuse{0x104[7:4]} Serial flash read mode dummy cycles for SF_CTRL_CMD2 setting 4'b 0000 1T 4'b 0001 2T 4'b 0010 3T 4'b 0011 4T 4'b 0100 5T 4'b 0101 6T 4'b 0110 7T 4'b 0111 8T 4'b 1000 9T 4'b 1001 10T 4'b 1010 11T 4'b 1011 12T 4'b 1100 13T 4'b 1101 14T 4'b 1110 15T 4'b 1111 16T
6:4	SF_READ_MODE	*value = efuse{0x104[3:0]} Selects serial flash read mode 3'b000 Normal read mode 3'b 001 Fast read mode 3'b 010 Dual output mode 3'b 011 Dual I/O mode 3'b 111 Quad I/O mode
3	CMD2_EXT_ADDR_EN	Enabled to send 4-byte address as using SF_CTRL_CMD2 0 Disable 1 Enable
2	SF_CMD2_EN	Enables SF_CTRL_CMD2 command. When SF_CMD2_EN is set to 1, the serial flash controller will use the SF_CTRL_CMD2 command to read data as accessing address exceeds 24 bits. 0 Disable

Bit(s)	Name	Description
1	CMD1_EXT_ADDR_EN	1 Enable Enabled extend address mode for SF_CTRL_CMD1. 0 Disable
0	SF_QPI_EN	1 Enable Serial flash QPI enable in QIO mode. Set up this bit with QIO = 1 (SF_READ_MODE = 3'b111) 0 Disable 1 Enable

83070008 SF_MISC_CTL1 Serial flash clock MISC controller **B2C00000** setting 1

Bit	31	30	29	28	27	26	25	24	23	22	21	20	19	18	17	16
Name	SF_CS_EXT_CYC						fifo_rd_ltc		NO_RELOAD	FIFO_MAINT	CS_EXT_C	four_fifo_en	ahb_REQ_LH_EN	SF_DOUT_SYNC	SF_SYNCE	REG_ADDR_SYNCSEL
Type	RW						RW		RW	RW	RW	RW	RW	RW	RW	RW
Reset	1	0	1	1			1	0	1	1	0	0	0	0	0	0
Bit	15	14	13	12	11	10	9	8	7	6	5	4	3	2	1	0
Name		SFIO_ENABLE	CS_SETUP_LTC					SF_READ_IDLE		CH2_B2S	SF_FBC_LKSEL	SM_PCKIN	OUTC_KIN		DEL_LAT_CH_LATE_Ney	
Type		RW	RW					RU		RW	RW	RW	RW		RW	
Reset		0	0	0				0		0	0	0	0		0	0

Bit(s)	Name	Description
31:28	SF_CS_EXT_CYC	CS pin pulled from high to low extension cycles. Default: 12 cycles 4'b0000 1 cycle 4'b0001 2 cycles 4'b0010 3 cycles 4'b0011 4 cycles 4'b0100 5 cycles 4'b0101 6 cycles 4'b0110 7 cycles 4'b0111 8 cycles 4'b1000 9 cycles 4'b1001 10 cycles 4'b1010 11 cycles 4'b1011 12 cycles 4'b1100 13 cycles 4'b1101 14 cycles *value = efuse{0x105[7:4]}
25:24	fifo_rd_ltc	4 Tap FIFO read latency *value = efuse{0x105[1:0]}
23	NO_RELOAD	NO_RELOAD setting: RELOAD function is that the serial

Bit(s)	Name	Description
		flash controller keeps the CS pin low, and the CLK pin keeps pending after the pre-fetch buffer is full. If the next access address continues, the previous address will then start generating CLK to access the next data without any command/address overhead time suffer to gain better bandwidth usage.
		0 CMD/ADDR will not be issued if the next access address continues the previous address. 1 CMD/ADDR will be re-issued. *value = efuse{0x106[7]}
22	FIFO_MACRO_RST	Serial flash IO module reset control 0 Disable reset 1 Enable reset
21	CS_EXT_CYC_OPT_EN	Enables CS extension cycle optimization. In the DIRECT READ mode, the CS extension cycle will be added before each transaction. However, before receiving a new request, CS might have been pulled up. If CS_EXT_CYC_OPT_EN is set to 1, serial flash controller will base on the CS pulling up cycle before the new request to reduce the CS extension cycle time . 0 Disable 1 Enable *value = efuse{0x106[5]}
20	fourtap_fifo_en	Enables 4 Tap FIFO 0 Disable 1 Enable *value = efuse{0x106[4]}
19	ahb_REQ_1TLh_EN	Enables serial flash controller delay 1T to latch AHB request 0 No delay 1 Delay 1T to latch AHB request *value = efuse{0x106[3]}
18	SF_DOUBLE_SYNC	Enables serial flash double sync. If the frequency of serial flash is at the twice of BUS frequency, and we would like the serial flash controller to work in the synchronous mode, set SF_SYNC_EN to 1 and SF_DOUBLE_SYNC to 1 0 Disable 1 Enable *value = efuse{0x106[2]}
17	SF_SYNC_EN	Enables serial flash synchronous mode 0 Asynchronous mode 1 Synchronous mode *value = efuse{0x106[1]}
16	REG_ADDR_SYNC_SEL	SF address select 0 Synchronous mode 1 Asynchronous mode
14	SFIO_EN_SEL	Serial flash IO PAD Enable signal align with clock positive edge select 0 Disable 1 Enable *value = efuse{0x107[6]}
13:12	CS_SETUP_LTC	Serial flash/CS setup time latency. Set up CS_SETUP_LTC to increase the /CS setup time. Default /CS setup time for both MAC and DIRECT READ mode is 1.5 serial flash clock period. 2'b00 Does not increase serial flash /CS setup time 2'b01 Increase 1T for /CS setup time 2'b10 Increase 2T for /CS setup time 2'b11 Increase 3T for /CS setup time *value = efuse{0x107[5:4]}

Bit(s)	Name	Description
8	SF_REQ_IDLE	Serial flash controller processing transaction status register 0 Transaction is being processed. 1 Idle
6	CH2_B2S	Channel 2 of serial flash access switch to single data access mode for priority arbitration behavior setting. In MT7637, CPU can access the serial flash through channel 2. If CH2_B2S = 1, the arbitration will switch to another agent (MCU) access after every CH2 single access. 0 Disable 1 Enable *value = efuse{0x108[6]}
5	SF_FBCLK_SEL	Serial flash feedback clock selection setting 0 Use non-feedback clock 1 Use feedback clock for serial flash *value = efuse{0x108[5]}
4	SMPCK_INV	Sample clock inverse for read data input 0 No inverse 1 Inverse *value = efuse{0x108[4]}
3	OUTCK_INV	Output clock inverse bit 0 No inverse 1 Inverse *value = efuse{0x108[3]}
1:0	DEL_LATCH_LATENcy	Selects serial flash latch delay latency 2'b00 Not delay 2'b01 Delay 1T to latch serial flash data 2'b10 Delay 2T to latch serial flash data 2'b11 Delay 3T to latch serial flash data *value = efuse{0x108[1:0]}

83070010 SF MAC OUTL **Serial flash macro output data** **00000000**
length

Bit	31	30	29	28	27	26	25	24	23	22	21	20	19	18	17	16
Name																
Type																
Reset																
Bit	15	14	13	12	11	10	9	8	7	6	5	4	3	2	1	0
Name									MAC_OUT_LENGTH							
Type									RW							
Reset									0	0	0	0	0	0	0	0

Bit(s)	Name	Description
7:0	MAC_OUT_LENGTH	Serial flash write data length, 1 ~ 160 bytes

83070014 SF MAC INL **Serial flash macro input data length** **00000000**

Bit	31	30	29	28	27	26	25	24	23	22	21	20	19	18	17	16
-----	----	----	----	----	----	----	----	----	----	----	----	----	----	----	----	----

Name																		
Type																		
Reset																		
Bit	15	14	13	12	11	10	9	8	7	6	5	4	3	2	1	0		
Name									MAC_IN_LENGTH									
Type									RW									
Reset									0	0	0	0	0	0	0	0		

Bit(s)	Name	Description
7:0	MAC_IN_LENGTH	Serial flash read data length, 1 ~ 160 bytes

8307001C SF_STA2_CTL Serial flash static control setting 2 00000000

Bit	31	30	29	28	27	26	25	24	23	22	21	20	19	18	17	16
Name	KEEP_READ_SETTING															
Type	RW															
Reset	0															
Bit	15	14	13	12	11	10	9	8	7	6	5	4	3	2	1	0
Name																
Type																
Reset																

Bit(s)	Name	Description
31	KEEP_READ_SETTING	Keep Direct Read mode setting after watch-dog reset If KEEP_READ_SETTING is set to 1, the content of SF_DIRECT_CTL and SF_MISC_CTL2 can only be reset by power-on reset and will not be cleared after the watch-dog reset. 0 Disable 1 Enable

83070020 SF_DLY_CTL1 Serial flash delay controller setting 00000000 1

Bit	31	30	29	28	27	26	25	24	23	22	21	20	19	18	17	16
Name					SFIO3_OUT_DLY								SFIO2_OUT_DLY			
Type					RW								RW			

Reset					0	0	0	0					0	0	0	0
Bit	15	14	13	12	11	10	9	8	7	6	5	4	3	2	1	0
Name					SFIO1_OUT_DLY								SFIO0_OUT_DLY			
Type					RW								RW			
Reset					0	0	0	0					0	0	0	0

Bit(s)	Name	Description
27:24	SFIO3_OUT_DLY	Serial flash SFIO3 pin IO output delay setting *value = efuse{0x109[7:4]}
19:16	SFIO2_OUT_DLY	Serial flash SFIO2 pin IO output delay setting *value = efuse{0x109[3:0]}
11:8	SFIO1_OUT_DLY	Serial flash SFIO1 pin IO output delay setting *value = efuse{0x10A[7:4]}
3:0	SFIO0_OUT_DLY	Serial flash SFIO0 pin IO output delay setting *value = efuse{0x10A[3:0]}

83070024 SF_DLY_CTL2 Serial flash delay controller setting 00000000
2

Bit	31	30	29	28	27	26	25	24	23	22	21	20	19	18	17	16
Name			SFIO3_IN_DLY						SFIO2_IN_DLY							
Type			RW						RW							
Reset			0	0	0	0	0	0			0	0	0	0	0	0
Bit	15	14	13	12	11	10	9	8	7	6	5	4	3	2	1	0
Name			SFIO1_IN_DLY						SFIO0_IN_DLY							
Type			RW						RW							
Reset			0	0	0	0	0	0			0	0	0	0	0	0

Bit(s)	Name	Description
29:24	SFIO3_IN_DLY	Serial flash SFIO3 pin IO input delay setting *value[3:0] = efuse{0x10B[7:4]}
21:16	SFIO2_IN_DLY	Serial flash SFIO2 pin IO input delay setting *value[3:0] = efuse{0x10B[3:0]}
13:8	SFIO1_IN_DLY	Serial flash SFIO1 pin IO input delay setting *value[3:0] = efuse{0x10C[7:4]}
5:0	SFIO0_IN_DLY	Serial flash SFIO0 pin IO input delay setting *value[3:0] = efuse{0x10C[3:0]}

83070028 SF_DLY_CTL3 Serial flash delay controller setting 00000000
3

Bit	31	30	29	28	27	26	25	24	23	22	21	20	19	18	17	16
Name			sfifo_wr_en_dly_sel								SFCS_DLY					

Type					RW								RW			
Reset			0	0	0	0	0	0					0	0	0	0
Bit	15	14	13	12	11	10	9	8	7	6	5	4	3	2	1	0
Name					SFCK_OUT_DLY						SFCK_SAM_DLY					
Type					RW						RW					
Reset					0	0	0	0			0	0	0	0	0	0

Bit(s)	Name	Description
29:24	sfifo_wr_en_dly_sel	Serial flash FIFO write enable delay select setting *value = efuse{0x10D[5:0]}
19:16	SFCS_DLY	Serial flash SFCS pin IO output delay setting *value = efuse{0x10E[7:4]}
11:8	SFCK_OUT_DLY	Serial flash CK pin IO output delay setting *value = efuse{0x10E[3:0]}
5:0	SFCK_SAM_DLY	Serial flash sample clock delay setting *value = efuse{0x10F[5:0]}

83070044 SF_MISC_CTL3 Serial flash MISC control setting 3 00003000

Bit	31	30	29	28	27	26	25	24	23	22	21	20	19	18	17	16
Name																
Type																
Reset																
Bit	15	14	13	12	11	10	9	8	7	6	5	4	3	2	1	0
Name			CH2_TRANS_IDLE	CH1_TRANS_IDLE			CH2_TRANS_MASK	CH1_TRANS_MASK								
Type			RU	RU			RW	RW								
Reset			1	1			0	0								

Bit(s)	Name	Description
13	CH2_TRANS_IDLE	Idle status of CH2 after setting up CH2_TRANS_MASK 0 Busy 1 Idle
12	CH1_TRANS_IDLE	Idle status of CH1 after setting up CH1_TRANS_MASK 0 Busy 1 Idle
9	CH2_TRANS_MASK	Masks the AHB request for the CH2 of serial flash from platform bus 0 Disable 1 Enable
8	CH1_TRANS_MASK	Masks the AHB request for the CH1 of serial flash from platform bus (CPU cannot access SFC after enable) 0 Disable

Bit(s)	Name	Description
1	Enable	

83070080 SF PERF MON1 Serial flash performance monitor 1 00000000

Bit	31	30	29	28	27	26	25	24	23	22	21	20	19	18	17	16
Name																
Type																
Reset																
Bit	15	14	13	12	11	10	9	8	7	6	5	4	3	2	1	0
Name															PERf_mon_clr	per_f_MON_EN
Type															RW	RW
Reset															0	0

Bit(s)	Name	Description
1	PERf_mon_clr	Clears information of performance monitor. If PERF_MON_CLR is set to 1, all data in the performance monitor will be set to 0. Set PERF_MON_CLR to 0 to clear the information in the performance monitor before re-starting the performance monitor. 0 Disable 1 Enable
0	per_f_MON_EN	Performance monitor enable bit. 0 Disable 1 Enable

83070084 SF PERF MON2 Serial flash performance monitor 2 00000000

Bit	31	30	29	28	27	26	25	24	23	22	21	20	19	18	17	16
Name	PERf_mon_CYC															
Type	RU															
Reset	0	0	0	0	0	0	0	0	0	0	0	0	0	0	0	0
Bit	15	14	13	12	11	10	9	8	7	6	5	4	3	2	1	0
Name	PERf_mon_CYC															
Type	RU															
Reset	0	0	0	0	0	0	0	0	0	0	0	0	0	0	0	0

Bit(s)	Name	Description
31:0	PERf_mon_CYC	Cycle counts after enable performance monitor

83070088 SF_PERF_MON3 Serial flash performance monitor 3 00000000

Bit	31	30	29	28	27	26	25	24	23	22	21	20	19	18	17	16
Name	SF_BUSY_CYC															
Type	RU															
Reset	0	0	0	0	0	0	0	0	0	0	0	0	0	0	0	0
Bit	15	14	13	12	11	10	9	8	7	6	5	4	3	2	1	0
Name	SF_BUSY_CYC															
Type	RU															
Reset	0	0	0	0	0	0	0	0	0	0	0	0	0	0	0	0

Bit(s)	Name	Description
31:0	SF_BUSY_CYC	Serial Flash Busy Cycle counts after enabling performance monitor. SF_BUSY_CYC is the summation of MAC mode and 3 AHB channels busy cycle.

8307008C SF_PERF_MON4 Serial flash performance monitor 4 00000000

Bit	31	30	29	28	27	26	25	24	23	22	21	20	19	18	17	16
Name	SF_MAC_CYC															
Type	RU															
Reset	0	0	0	0	0	0	0	0	0	0	0	0	0	0	0	0
Bit	15	14	13	12	11	10	9	8	7	6	5	4	3	2	1	0
Name	SF_MAC_CYC															
Type	RU															
Reset	0	0	0	0	0	0	0	0	0	0	0	0	0	0	0	0

Bit(s)	Name	Description
31:0	SF_MAC_CYC	Serial Flash MAC Mode Cycle counts after enabling performance monitor

83070090 SF_PERF_MON5 Serial flash performance monitor 5 00000000

Bit	31	30	29	28	27	26	25	24	23	22	21	20	19	18	17	16
Name	CH1_BUSY_CYC															
Type	RU															
Reset	0	0	0	0	0	0	0	0	0	0	0	0	0	0	0	0
Bit	15	14	13	12	11	10	9	8	7	6	5	4	3	2	1	0
Name	CH1_BUSY_CYC															
Type	RU															
Reset	0	0	0	0	0	0	0	0	0	0	0	0	0	0	0	0

t																	
---	--	--	--	--	--	--	--	--	--	--	--	--	--	--	--	--	--

Bit(s)	Name	Description
31:0	CH1_BUSY_CYC	Serial Flash channel 1 busy cycle (access serial flash device) counts after enabling performance monitor

83070094 SF PERF MON6 Serial flash performance monitor 6 00000000

Bit	31	30	29	28	27	26	25	24	23	22	21	20	19	18	17	16
Name	CH1_REQ_COUNT															
Type	RU															
Reset	0	0	0	0	0	0	0	0	0	0	0	0	0	0	0	0
Bit	15	14	13	12	11	10	9	8	7	6	5	4	3	2	1	0
Name	CH1_REQ_COUNT															
Type	RU															
Reset	0	0	0	0	0	0	0	0	0	0	0	0	0	0	0	0

Bit(s)	Name	Description
31:0	CH1_REQ_COUNT	The number of AHB bus requests channel 1 of the serial flash controller receives after enabling performance monitor

83070098 SF PERF MON7 Serial flash performance monitor 7 00000000

Bit	31	30	29	28	27	26	25	24	23	22	21	20	19	18	17	16
Name	ch1_DATA_BYTE_COUNT															
Type	RU															
Reset	0	0	0	0	0	0	0	0	0	0	0	0	0	0	0	0
Bit	15	14	13	12	11	10	9	8	7	6	5	4	3	2	1	0
Name	ch1_DATA_BYTE_COUNT															
Type	RU															
Reset	0	0	0	0	0	0	0	0	0	0	0	0	0	0	0	0

Bit(s)	Name	Description
31:0	ch1_DATA_BYTE_COUNT	The number of data bytes AHB bus transferred through channel 1 of the serial flash controller after enabling performance monitor

8307009C SF PERF MON8 Serial flash performance monitor 8 00000000

Bit	31	30	29	28	27	26	25	24	23	22	21	20	19	18	17	16
-----	----	----	----	----	----	----	----	----	----	----	----	----	----	----	----	----

Name	ch2_BUSY_CYC															
Type	RU															
Reset	0	0	0	0	0	0	0	0	0	0	0	0	0	0	0	0
Bit	15	14	13	12	11	10	9	8	7	6	5	4	3	2	1	0
Name	ch2_BUSY_CYC															
Type	RU															
Reset	0	0	0	0	0	0	0	0	0	0	0	0	0	0	0	0

Bit(s)	Name	Description
31:0	ch2_BUSY_CYC	Serial Flash channel 2 busy cycle (access serial flash device) counts after enabling performance monitor

830700A0 SF_PERF_MON9 Serial flash performance monitor 9 00000000

Bit	31	30	29	28	27	26	25	24	23	22	21	20	19	18	17	16
Name	CH2_REQ_COUNT															
Type	RU															
Reset	0	0	0	0	0	0	0	0	0	0	0	0	0	0	0	0
Bit	15	14	13	12	11	10	9	8	7	6	5	4	3	2	1	0
Name	CH2_REQ_COUNT															
Type	RU															
Reset	0	0	0	0	0	0	0	0	0	0	0	0	0	0	0	0

Bit(s)	Name	Description
31:0	CH2_REQ_COUNT	The number of AHB bus requests channel 2 of the serial flash controller receives after enabling performance monitor

830700A4 SF_PERF_MON10 Serial flash performance monitor 10 00000000

Bit	31	30	29	28	27	26	25	24	23	22	21	20	19	18	17	16
Name	CH2_DATA_BYTE_COUNT															
Type	RU															
Reset	0	0	0	0	0	0	0	0	0	0	0	0	0	0	0	0
Bit	15	14	13	12	11	10	9	8	7	6	5	4	3	2	1	0
Name	CH2_DATA_BYTE_COUNT															
Type	RU															
Reset	0	0	0	0	0	0	0	0	0	0	0	0	0	0	0	0

Bit(s)	Name	Description
31:0	CH2_DATA_BYTE_COUNT	The number of data bytes AHB bus transferred through channel 2 of the serial flash controller after enabling performance monitor

83070800 SF GPRAM_DATA Serial flash macro R/W memory **00000000**
 ~ [n](n=0~39) data (160 bytes)
8307089C

Bit	31	30	29	28	27	26	25	24	23	22	21	20	19	18	17	16
Name	GPRAM_DATA															
Type	RW															
Reset	0	0	0	0	0	0	0	0	0	0	0	0	0	0	0	0
Bit	15	14	13	12	11	10	9	8	7	6	5	4	3	2	1	0
Name	GPRAM_DATA															
Type	RW															
Reset	0	0	0	0	0	0	0	0	0	0	0	0	0	0	0	0

Bit(s)	Name	Description
31:0	GPRAM_DATA	R/W SRAM data by register address (0x800 ~ 0x89f). SRAM data are composed of MAC_OUT_LENGTH + MAC_IN_LENGTH bytes. Please read "twice" to access the data when the address is changed. (APB_CON[1] have to set 1'b1 to read APB using 2T pclk)

2.4.5 DMA

2.4.5.1 General Description

A generic DMA Controller is placed on AHB Bus to support fast data transfers and to off-load the processor. With this controller, specific devices on AHB or APB buses can benefit greatly from quick completion of data movement from or to memory modules such as Internal System RAM or External SRAM. Such Generic DMA Controller can also be used to connect any two devices other than memory module as long as they can be addressed in memory space.

Each channel has a similar set of registers to be configured to different scheme as desired. Once the service candidate is decided, the responsible device driver should configure the Generic DMA Controller properly in order to conduct DMA transfers. Both Interrupt- and Polling-based schemes in handling the completion event are supported.

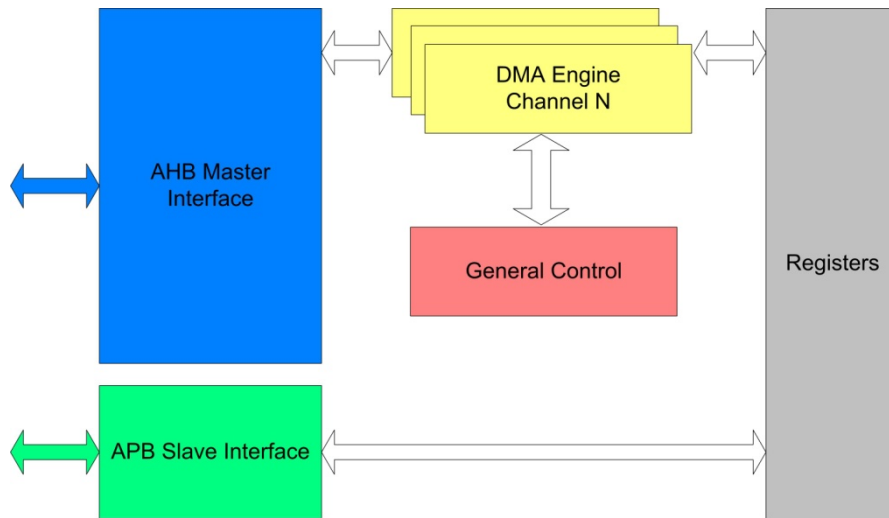


Figure 2-26. Generic DMA Controller Block Diagram

The table below presents the available DMA Channels:

Table 2-20. Available DMA channels

DMA number	Type	Ring Buffer	Two Buffer	Burst Mode	Unaligned Word Access
DMA1	Full Size	•	•	•	
DMA2	Full Size	•	•	•	
DMA3	Half Size	•	•	•	•
DMA4	Half Size	•	•	•	•
DMA5	Half Size	•	•	•	•
DMA6	Half Size	•	•	•	•
DMA7	Half Size	•	•	•	•
DMA8	Half Size	•	•	•	•
DMA9	Half Size	•	•	•	•
DMA10	Half Size	•	•	•	•
DMA11	Half Size	•	•	•	•
DMA12	Virtual FIFO	•			
DMA13	Virtual FIFO	•			
DMA14	Virtual FIFO	•			
DMA15	Virtual FIFO	•			
DMA16	Virtual FIFO	•			

DMA number	Type	Ring Buffer	Two Buffer	Burst Mode	Unaligned Word Access
DMA17	Virtual FIFO	●			
DMA18	Virtual FIFO	●			
DMA19	Virtual FIFO	●			
DMA20	Virtual FIFO	●			
DMA21	Virtual FIFO	●			
DMA22	Virtual FIFO	●			
DMA23	Virtual FIFO	●			
DMA24	Virtual FIFO	●			
DMA25	Virtual FIFO	●			

2.4.5.2 Full-Size and Half-Size DMA Channels

There are three types of DMA channels supported in MT76X7.

- Full-size DMA: Both the source address and the destination address are programmable. It is normally used for memory copy.
 - Half-size DMA: Either the source address or the destination address is programmable. It is normally used for data movement between memory and peripherals.
 - Virtual FIFO DMA (VFF DMA): It is a half-size DMA with an additional FIFO control engine. It is used to provide the buffering capacity for peripherals including UART.
-
- Full-size DMA channel—channels 1 and 2
 - Half-size DMA channel—Channels 3-11
 - Virtual FIFO DMA—Channels 12-25

The difference between the first two types of DMA channels is that both source and destination address are programmable in full-size DMA channels, but only the address of one side can be programmed in half-size DMA channel. In half-size channels, only either the source or destination address can be programmed, while the addresses of the other side are preset. Which preset address is used depends on the setting of MAS in DMA Channel Control Register. Refer to the Register Definition section for more detail.

2.4.5.3 Ring Buffer and Double Buffer Memory Data Movement

DMA channels 1 through 11 support ring-buffer and double-buffer memory data movement. This can be achieved by programming DMA_WPPT and DMA_WPTO, as well as setting WPEN in DMA_CON register to enable. The following figure illustrates how this function works. Once the transfer counter reaches the value of WPPT, the next address jumps to the WPTO address after

completing the WPPT data transfer. Note that only one side can be configured as ring-buffer or double-buffer memory, and this is controlled by WPSD in DMA_CON register.

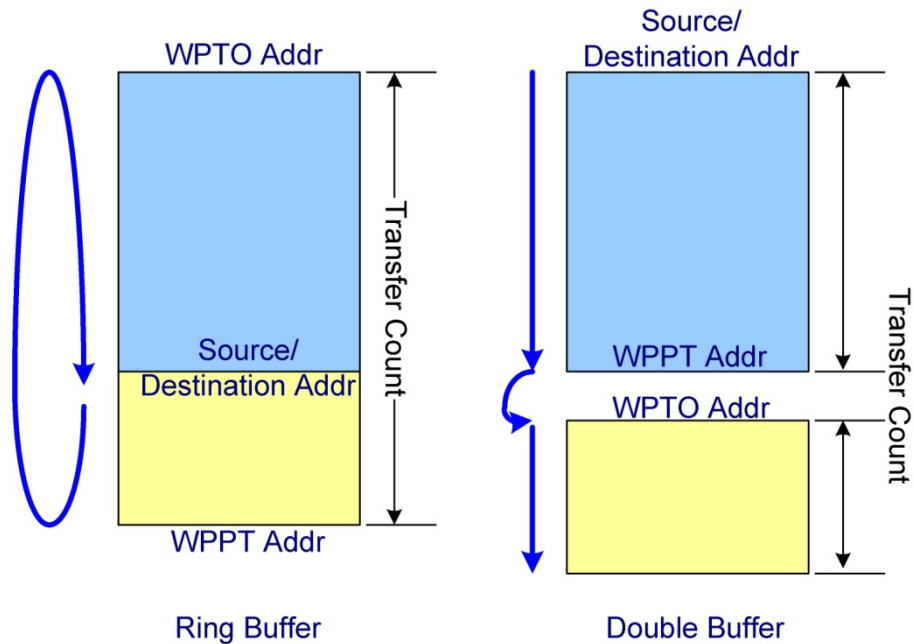


Figure 2-27. Ring Buffer and Double Buffer Memory Data Movement

2.4.5.4 Unaligned Word Access

The word access address on AHB bus must be aligned to word boundary, or the 2 LSB is truncated to 00b. If programmers do not notice this, it may cause an incorrect data fetch. In the case where data is to be moved from unaligned addresses to aligned addresses, the word is usually first split into four bytes and then moved byte by byte. This action results in four read and four write transfers on the bus.

To improve bus efficiency, unaligned-word access is provided in DMA3~11. While this function is enabled, DMAs move data from unaligned address to aligned address by executing four continuous byte-read access and one word-write access, reducing the number of transfers on the bus by three.

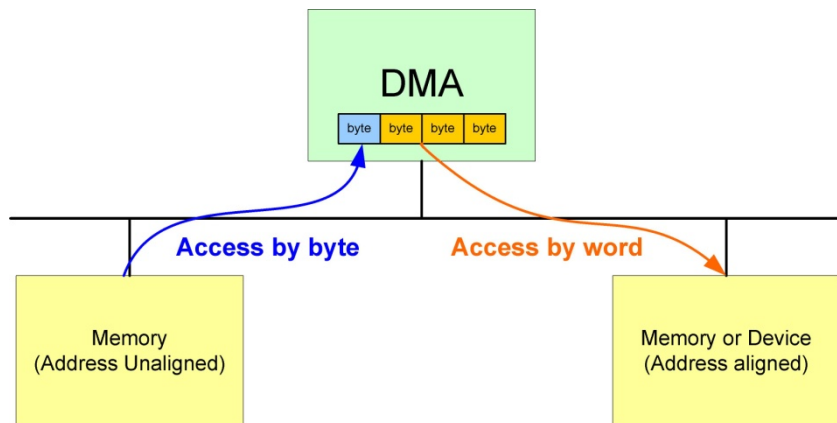


Figure 2-28. Unaligned Word Accesses

2.4.5.5 Virtual FIFO DMA

Virtual FIFO DMA is used to ease UART control. The difference between the Virtual FIFO DMAs and the ordinary DMAs is that Virtual FIFO DMA contains an additional FIFO controller. The read and write pointers are kept in the Virtual FIFO DMA. During a read from the FIFO, the read pointer points to the address of the next data. During a write to the FIFO, the write pointer moves to the next address. If the FIFO is empty, a FIFO read is not allowed. Similarly, data is not written into the FIFO if the FIFO is full. Due to UART flow control requirements, an alert length is programmed. Once the FIFO Space is less than this value, an alert signal is issued to enable UART flow control. The type of flow control performed depends on the setting in UART.

Each Virtual FIFO DMA can be programmed as RX or TX FIFO. This depends on the setting of DIR in DMA_CON register. If DIR is “0”(READ), it means TX FIFO. On the other hand, if DIR is “1”(WRITE), the Virtual FIFO DMA is specified as a RX FIFO.

Virtual FIFO DMA provides an interrupt to MCU. This interrupt informs MCU that there is data in the FIFO, and the amount of data is over or under the value defined in DMA_COUNT register. With this, MCU does not need to poll DMA to know when data must be removed from or put into the FIFO.

Note that Virtual FIFO DMAs cannot be used as generic DMAs.

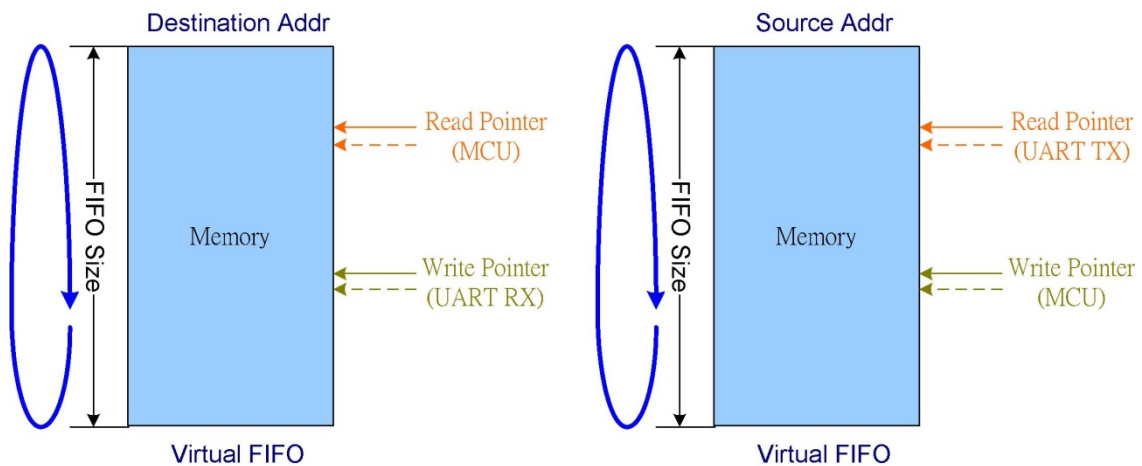


Figure 2-29. Virtual FIFO DMA

Table 2-21. Virtual FIFO Access Port

DMA number	Address of Virtual FIFO Access Port
DMA12	7900_0000h
DMA13	7900_0100h
DMA14	7900_0200h
DMA15	7900_0300h
DMA16	7900_0400h

DMA17	7900_0500h
DMA18	7900_0600h
DMA19	7900_0700h
DMA20	7900_0800h
DMA21	7900_0900h
DMA22	7900_0A00h
DMA23	7900_0B00h
DMA24	7900_0C00h
DMA25	7900_0D00h

The figure below illustrates the operations of virtual FIFO DMA used for UART RX.

- READ: DMA controller reads data from UART and increments the WRITE pointer of the FIFO controller.
- WRITE; DMA controller writes data that was area from UART to SRAM in the area defined before enabling the virtual FIFO.
- READ: MCU reads data when FIFO is not empty and the amount of data is over a pre-defined threshold. The read transaction will be finished only when DMA controller reads back the data from SRAM.
- READ: DMA controller reads data from SRAM and increments the READ pointer of the FIFO controller.

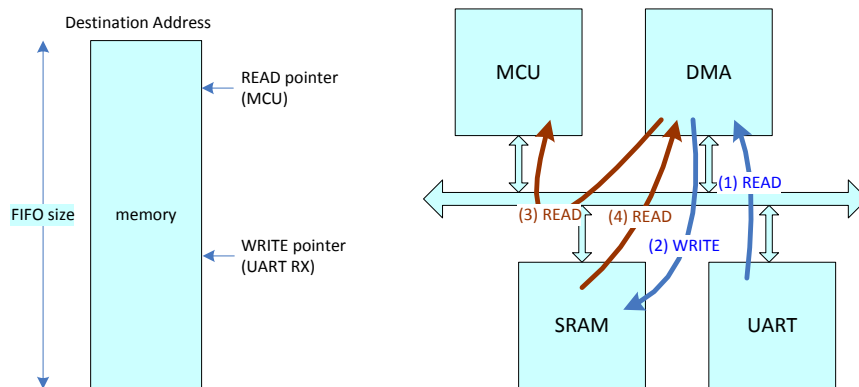


Figure 2-30. Virtual FIFO Concept

2.4.5.6 DMA Channels and Priority Control

There are two full-size DMA channels, 10 half- size DMA channels, and 13 virtual FIFO DMA channels in MT76X7.

Table 2-22. DMA Use for Hardware Functions

Hardware Function	DMA Type
Radio (Bluetooth)	Virtual FIFO DMA x 2
Radio (Wi-Fi)	Half size DMA x 1
UART (x2)	Virtual FIFO DMA x 4
I2S	Virtual FIFO DMA x 2
ADC	Virtual FIFO DMA x 1
I2C (x2)	Half size DMA x 4
SPI-M	Half size DMA x 2
Security boot	Full size DMA x 1
Reserved	Full size DMA x 1, half size DMA x 3 and virtual FIFO DMA x 4.

The DMA provides two levels of scheduling scheme among all channels.

The 1st level scheduling follows the strict-priority scheme. All channels can be grouped into four priority groups. Group one gets the highest priority, then group two, and so on.

The 2nd level scheduling follows the round-robin scheme. Every channel in the same priority group has equal opportunity to use the bandwidth and was served sequentially.

The arbitration is done per AHB transaction. When one AHB transaction is finished, the scheduler will follow the above mechanism to select the next DMA channel to serve.

2.4.5.7 Register Definitions

Register programming tips:

- Start registers shall be cleared, when associated channels are being programmed.
- PGMADDR, i.e. programmable address, only exists in half-size DMA channels. If DIR in Control Register is high, PGMADDR represents Destination Address. Conversely, If DIR in Control Register is low, PGMADDR represents Source Address.
- Functions of ring-buffer and double-buffer memory data movement can be activated on either source side or destination side by programming DMA_WPPT & and DMA_WPTO, as well as setting WPEN in DMA_CON register high. WPSD in DMA_CON register determines the activated side.

Module name: dma_cm4 Base address: (+8301000h)

Address	Name	Width	Register Function
---------	------	-------	-------------------

Address	Name	Width	Register Function
83010000	<u>DMA CM4 GLBSTA0</u>	32	DMA CR4 Global Status Register 0. This register helps software program keep track of the global status of DMA channels.
83010004	<u>DMA CM4 GLBSTA1</u>	32	DMA CR4 Global Status Register 1. This register helps software program keep track of the global status of DMA channels.
83010010	<u>DMA CM4 GROUP0</u>	32	DMA CR4 Group Setting Register 0
83010014	<u>DMA CM4 GROUP1</u>	32	DMA CR4 Group Setting Register 1
83010028	<u>DMA CM4 GLBLIMITER</u>	32	DMA CR4 Global Bandwidth Limiter Register
83010100	<u>DMA1 SRC</u>	32	DMA CR4 Channel 1 Source Address Register
83010104	<u>DMA1 DST</u>	32	DMA CR4 Channel 1 Destination Address Register
83010108	<u>DMA1 WPPT</u>	32	DMA CR4 Channel 1 Wrap Point Address Register
8301010C	<u>DMA1 WPTO</u>	32	DMA CR4 Channel 1 Wrap To Address Register
83010110	<u>DMA1 COUNT</u>	32	DMA CR4 Channel 1 Transfer Count Register
83010114	<u>DMA1 CON</u>	32	DMA CR4 Channel 1 Control Register
83010118	<u>DMA1 START</u>	32	DMA CR4 Channel 1 Start Register
8301011C	<u>DMA1 INTSTA</u>	32	DMA CR4 Channel 1 Interrupt Status Register
83010120	<u>DMA1 ACKINT</u>	32	DMA CR4 Channel 1 Interrupt Acknowledge Register
83010124	<u>DMA1 RLCT</u>	32	DMA CR4 Channel 1 Remaining Length of Current Transfer
83010128	<u>DMA1 LIMITER</u>	32	DMA CR4 Channel 1 Bandwidth Limiter Register
83010200	<u>DMA2 SRC</u>	32	DMA CR4 Channel 2 Source Address Register
83010204	<u>DMA2 DST</u>	32	DMA CR4 Channel 2 Destination Address Register
83010208	<u>DMA2 WPPT</u>	32	DMA CR4 Channel 2 Wrap Point Address Register
8301020C	<u>DMA2 WPTO</u>	32	DMA CR4 Channel 2 Wrap To Address Register
83010210	<u>DMA2 COUNT</u>	32	DMA CR4 Channel 2 Transfer Count Register
83010214	<u>DMA2 CON</u>	32	DMA CR4 Channel 2 Control Register
83010218	<u>DMA2 START</u>	32	DMA CR4 Channel 2 Start Register
8301021C	<u>DMA2 INTSTA</u>	32	DMA CR4 Channel 2 Interrupt Status Register
83010220	<u>DMA2 ACKINT</u>	32	DMA CR4 Channel 2 Interrupt Acknowledge Register
83010224	<u>DMA2 RLCT</u>	32	DMA CR4 Channel 2 Remaining Length of Current Transfer
83010228	<u>DMA2 LIMITER</u>	32	DMA CR4 Channel 2 Bandwidth Limiter Register
83010308	<u>DMA3 WPPT</u>	32	DMA CR4 Channel 3 Wrap Point Address Register

Address	Name	Width	Register Function
8301030C	<u>DMA3_WPTO</u>	32	DMA CR4 Channel 3 Wrap To Address Register
83010310	<u>DMA3_COUNT</u>	32	DMA CR4 Channel 3 Transfer Count Register
83010314	<u>DMA3_CON</u>	32	DMA CR4 Channel 3 Control Register
83010318	<u>DMA3_START</u>	32	DMA CR4 Channel 3 Start Register
8301031C	<u>DMA3_INTSTA</u>	32	DMA CR4 Channel 3 Interrupt Status Register
83010320	<u>DMA3_ACKINT</u>	32	DMA CR4 Channel 3 Interrupt Acknowledge Register
83010324	<u>DMA3_RLCT</u>	32	DMA CR4 Channel 3 Remaining Length of Current Transfer
83010328	<u>DMA3_LIMITER</u>	32	DMA CR4 Channel 3 Bandwidth Limiter Register
8301032C	<u>DMA3_PGMADDR</u>	32	DMA CR4 Channel 3 Programmable Address Register
83010408	<u>DMA4_WPPT</u>	32	DMA CR4 Channel 4 Wrap Point Address Register
8301040C	<u>DMA4_WPTO</u>	32	DMA CR4 Channel 4 Wrap To Address Register
83010410	<u>DMA4_COUNT</u>	32	DMA CR4 Channel 4 Transfer Count Register
83010414	<u>DMA4_CON</u>	32	DMA CR4 Channel 4 Control Register
83010418	<u>DMA4_START</u>	32	DMA CR4 Channel 4 Start Register
8301041C	<u>DMA4_INTSTA</u>	32	DMA CR4 Channel 4 Interrupt Status Register
83010420	<u>DMA4_ACKINT</u>	32	DMA CR4 Channel 4 Interrupt Acknowledge Register
83010424	<u>DMA4_RLCT</u>	32	DMA CR4 Channel 4 Remaining Length of Current Transfer
83010428	<u>DMA4_LIMITER</u>	32	DMA CR4 Channel 4 Bandwidth Limiter Register
8301042C	<u>DMA4_PGMADDR</u>	32	DMA CR4 Channel 4 Programmable Address Register
83010508	<u>DMA5_WPPT</u>	32	DMA CR4 Channel 5 Wrap Point Address Register
8301050C	<u>DMA5_WPTO</u>	32	DMA CR4 Channel 5 Wrap To Address Register
83010510	<u>DMA5_COUNT</u>	32	DMA CR4 Channel 5 Transfer Count Register
83010514	<u>DMA5_CON</u>	32	DMA CR4 Channel 5 Control Register
83010518	<u>DMA5_START</u>	32	DMA CR4 Channel 5 Start Register
8301051C	<u>DMA5_INTSTA</u>	32	DMA CR4 Channel 5 Interrupt Status Register
83010520	<u>DMA5_ACKINT</u>	32	DMA CR4 Channel 5 Interrupt Acknowledge Register
83010524	<u>DMA5_RLCT</u>	32	DMA CR4 Channel 5 Remaining Length of Current Transfer
83010528	<u>DMA5_LIMITER</u>	32	DMA CR4 Channel 5 Bandwidth Limiter Register
8301052C	<u>DMA5_PGMADDR</u>	32	DMA CR4 Channel 5 Programmable

Address	Name	Width	Register Function
			Address Register
83010608	<u>DMA6 WPPT</u>	32	DMA CR4 Channel 6 Wrap Point Address Register
8301060C	<u>DMA6 WPTO</u>	32	DMA CR4 Channel 6 Wrap To Address Register
83010610	<u>DMA6 COUNT</u>	32	DMA CR4 Channel 6 Transfer Count Register
83010614	<u>DMA6 CON</u>	32	DMA CR4 Channel 6 Control Register
83010618	<u>DMA6 START</u>	32	DMA CR4 Channel 6 Start Register
8301061C	<u>DMA6 INTSTA</u>	32	DMA CR4 Channel 6 Interrupt Status Register
83010620	<u>DMA6 ACKINT</u>	32	DMA CR4 Channel 6 Interrupt Acknowledge Register
83010624	<u>DMA6 RLCT</u>	32	DMA CR4 Channel 6 Remaining Length of Current Transfer
83010628	<u>DMA6 LIMITER</u>	32	DMA CR4 Channel 6 Bandwidth Limiter Register
8301062C	<u>DMA6 PGMADDR</u>	32	DMA CR4 Channel 6 Programmable Address Register
83010708	<u>DMA7 WPPT</u>	32	DMA CR4 Channel 7 Wrap Point Address Register
8301070C	<u>DMA7 WPTO</u>	32	DMA CR4 Channel 7 Wrap To Address Register
83010710	<u>DMA7 COUNT</u>	32	DMA CR4 Channel 7 Transfer Count Register
83010714	<u>DMA7 CON</u>	32	DMA CR4 Channel 7 Control Register
83010718	<u>DMA7 START</u>	32	DMA CR4 Channel 7 Start Register
8301071C	<u>DMA7 INTSTA</u>	32	DMA CR4 Channel 7 Interrupt Status Register
83010720	<u>DMA7 ACKINT</u>	32	DMA CR4 Channel 7 Interrupt Acknowledge Register
83010724	<u>DMA7 RLCT</u>	32	DMA CR4 Channel 7 Remaining Length of Current Transfer
83010728	<u>DMA7 LIMITER</u>	32	DMA CR4 Channel 7 Bandwidth Limiter Register
8301072C	<u>DMA7 PGMADDR</u>	32	DMA CR4 Channel 7 Programmable Address Register
83010808	<u>DMA8 WPPT</u>	32	DMA CR4 Channel 8 Wrap Point Address Register
8301080C	<u>DMA8 WPTO</u>	32	DMA CR4 Channel 8 Wrap To Address Register
83010810	<u>DMA8 COUNT</u>	32	DMA CR4 Channel 8 Transfer Count Register
83010814	<u>DMA8 CON</u>	32	DMA CR4 Channel 8 Control Register
83010818	<u>DMA8 START</u>	32	DMA CR4 Channel 8 Start Register
8301081C	<u>DMA8 INTSTA</u>	32	DMA CR4 Channel 8 Interrupt Status Register
83010820	<u>DMA8 ACKINT</u>	32	DMA CR4 Channel 8 Interrupt Acknowledge Register
83010824	<u>DMA8 RLCT</u>	32	DMA CR4 Channel 8 Remaining Length of Current Transfer

Address	Name	Width	Register Function
83010828	<u>DMA8_LIMITER</u>	32	DMA CR4 Channel 8 Bandwidth Limiter Register
8301082C	<u>DMA8_PGMADDR</u>	32	DMA CR4 Channel 8 Programmable Address Register
83010908	<u>DMA9_WPPT</u>	32	DMA CR4 Channel 9 Wrap Point Address Register
8301090C	<u>DMA9_WPTO</u>	32	DMA CR4 Channel 9 Wrap To Address Register
83010910	<u>DMA9_COUNT</u>	32	DMA CR4 Channel 9 Transfer Count Register
83010914	<u>DMA9_CON</u>	32	DMA CR4 Channel 9 Control Register
83010918	<u>DMA9_START</u>	32	DMA CR4 Channel 9 Start Register
8301091C	<u>DMA9_INTSTA</u>	32	DMA CR4 Channel 9 Interrupt Status Register
83010920	<u>DMA9_ACKINT</u>	32	DMA CR4 Channel 9 Interrupt Acknowledge Register
83010924	<u>DMA9_RLCT</u>	32	DMA CR4 Channel 9 Remaining Length of Current Transfer
83010928	<u>DMA9_LIMITER</u>	32	DMA CR4 Channel 9 Bandwidth Limiter Register
8301092C	<u>DMA9_PGMADDR</u>	32	DMA CR4 Channel 9 Programmable Address Register
83010A08	<u>DMA10_WPPT</u>	32	DMA CR4 Channel 10 Wrap Point Address Register
83010A0C	<u>DMA10_WPTO</u>	32	DMA CR4 Channel 10 Wrap To Address Register
83010A10	<u>DMA10_COUNT</u>	32	DMA CR4 Channel 10 Transfer Count Register
83010A14	<u>DMA10_CON</u>	32	DMA CR4 Channel 10 Control Register
83010A18	<u>DMA10_START</u>	32	DMA CR4 Channel 10 Start Register
83010A1C	<u>DMA10_INTSTA</u>	32	DMA CR4 Channel 10 Interrupt Status Register
83010A20	<u>DMA10_ACKINT</u>	32	DMA CR4 Channel 10 Interrupt Acknowledge Register
83010A24	<u>DMA10_RLCT</u>	32	DMA CR4 Channel 10 Remaining Length of Current Transfer
83010A28	<u>DMA10_LIMITER</u>	32	DMA CR4 Channel 10 Bandwidth Limiter Register
83010A2C	<u>DMA10_PGMADDR</u>	32	DMA CR4 Channel 10 Programmable Address Register
83010B08	<u>DMA11_WPPT</u>	32	DMA CR4 Channel 11 Wrap Point Address Register
83010B0C	<u>DMA11_WPTO</u>	32	DMA CR4 Channel 11 Wrap To Address Register
83010B10	<u>DMA11_COUNT</u>	32	DMA CR4 Channel 11 Transfer Count Register
83010B14	<u>DMA11_CON</u>	32	DMA CR4 Channel 11 Control Register
83010B18	<u>DMA11_START</u>	32	DMA CR4 Channel 11 Start Register
83010B1C	<u>DMA11_INTSTA</u>	32	DMA CR4 Channel 11 Interrupt Status Register
83010B20	<u>DMA11_ACKINT</u>	32	DMA CR4 Channel 11 Interrupt

Address	Name	Width	Register Function
			Acknowledge Register
83010B24	<u>DMA11_RLCT</u>	32	DMA CR4 Channel 11 Remaining Length of Current Transfer
83010B28	<u>DMA11_LIMITER</u>	32	DMA CR4 Channel 11 Bandwidth Limiter Register
83010B2C	<u>DMA11_PGMADDR</u>	32	DMA CR4 Channel 11 Programmable Address Register
83010C10	<u>DMA12_COUNT</u>	32	DMA CR4 Channel 12 Transfer Count Register
83010C14	<u>DMA12_CON</u>	32	DMA CR4 Channel 12 Control Register
83010C18	<u>DMA12_START</u>	32	DMA CR4 Channel 12 Start Register
83010C1C	<u>DMA12_INTSTA</u>	32	DMA CR4 Channel 12 Interrupt Status Register
83010C20	<u>DMA12_ACKINT</u>	32	DMA CR4 Channel 12 Interrupt Acknowledge Register
83010C28	<u>DMA12_LIMITER</u>	32	DMA CR4 Channel 12 Bandwidth Limiter Register
83010C2C	<u>DMA12_PGMADDR</u>	32	DMA CR4 Channel 12 Programmable Address Register
83010C30	<u>DMA12_WRPTR</u>	32	DMA CR4 Channel 12 Write Pointer
83010C34	<u>DMA12_RDPTR</u>	32	DMA CR4 Channel 12 Read Pointer
83010C38	<u>DMA12_FFCNT</u>	32	DMA CR4 Channel 12 FIFO Count
83010C3C	<u>DMA12_FFSTA</u>	32	DMA CR4 Channel 12 FIFO Status
83010C40	<u>DMA12_ALTLEN</u>	32	DMA CR4 Channel 12 Alert Length Register
83010C44	<u>DMA12_FFSIZE</u>	32	DMA CR4 Channel 12 Virtual FIFO Size Register
83010C48	<u>DMA12_CVFF</u>	32	DMA CR4 Channel 12 Cascade Virtual FIFO Control Register
83010C50	<u>DMA12_TO</u>	32	DMA CR4 Channel 12 Timeout Value Register
83010D10	<u>DMA13_COUNT</u>	32	DMA CR4 Channel 13 Transfer Count Register
83010D14	<u>DMA13_CON</u>	32	DMA CR4 Channel 13 Control Register
83010D18	<u>DMA13_START</u>	32	DMA CR4 Channel 13 Start Register
83010D1C	<u>DMA13_INTSTA</u>	32	DMA CR4 Channel 13 Interrupt Status Register
83010D20	<u>DMA13_ACKINT</u>	32	DMA CR4 Channel 13 Interrupt Acknowledge Register
83010D28	<u>DMA13_LIMITER</u>	32	DMA CR4 Channel 13 Bandwidth Limiter Register
83010D2C	<u>DMA13_PGMADDR</u>	32	DMA CR4 Channel 13 Programmable Address Register
83010D30	<u>DMA13_WRPTR</u>	32	DMA CR4 Channel 13 Write Pointer
83010D34	<u>DMA13_RDPTR</u>	32	DMA CR4 Channel 13 Read Pointer
83010D38	<u>DMA13_FFCNT</u>	32	DMA CR4 Channel 13 FIFO Count
83010D3C	<u>DMA13_FFSTA</u>	32	DMA CR4 Channel 13 FIFO Status
83010D40	<u>DMA13_ALTLEN</u>	32	DMA CR4 Channel 13 Alert Length Register

Address	Name	Width	Register Function
83010D44	<u>DMA13_FFSIZE</u>	32	DMA CR4 Channel 13 Virtual FIFO Size Register
83010D48	<u>DMA13_CVFF</u>	32	DMA CR4 Channel 13 Cascade Virtual FIFO Control Register
83010D50	<u>DMA13_TO</u>	32	DMA CR4 Channel 13 Timeout Value Register
83010E10	<u>DMA14_COUNT</u>	32	DMA CR4 Channel 14 Transfer Count Register
83010E14	<u>DMA14_CON</u>	32	DMA CR4 Channel 14 Control Register
83010E18	<u>DMA14_START</u>	32	DMA CR4 Channel 14 Start Register
83010E1C	<u>DMA14_INTSTA</u>	32	DMA CR4 Channel 14 Interrupt Status Register
83010E20	<u>DMA14_ACKINT</u>	32	DMA CR4 Channel 14 Interrupt Acknowledge Register
83010E28	<u>DMA14_LIMITER</u>	32	DMA CR4 Channel 14 Bandwidth Limiter Register
83010E2C	<u>DMA14_PGMADDR</u>	32	DMA CR4 Channel 14 Programmable Address Register
83010E30	<u>DMA14_WRPTR</u>	32	DMA CR4 Channel 14 Write Pointer
83010E34	<u>DMA14_RDPTR</u>	32	DMA CR4 Channel 14 Read Pointer
83010E38	<u>DMA14_FFCNT</u>	32	DMA CR4 Channel 14 FIFO Count
83010E3C	<u>DMA14_FFSTA</u>	32	DMA CR4 Channel 14 FIFO Status
83010E40	<u>DMA14_ALTLEN</u>	32	DMA CR4 Channel 14 Alert Length Register
83010E44	<u>DMA14_FFSIZE</u>	32	DMA CR4 Channel 14 Virtual FIFO Size Register
83010E48	<u>DMA14_CVFF</u>	32	DMA CR4 Channel 14 Cascade Virtual FIFO Control Register
83010E50	<u>DMA14_TO</u>	32	DMA CR4 Channel 14 Timeout Value Register
83010F10	<u>DMA15_COUNT</u>	32	DMA CR4 Channel 15 Transfer Count Register
83010F14	<u>DMA15_CON</u>	32	DMA CR4 Channel 15 Control Register
83010F18	<u>DMA15_START</u>	32	DMA CR4 Channel 15 Start Register
83010F1C	<u>DMA15_INTSTA</u>	32	DMA CR4 Channel 15 Interrupt Status Register
83010F20	<u>DMA15_ACKINT</u>	32	DMA CR4 Channel 15 Interrupt Acknowledge Register
83010F28	<u>DMA15_LIMITER</u>	32	DMA CR4 Channel 15 Bandwidth Limiter Register
83010F2C	<u>DMA15_PGMADDR</u>	32	DMA CR4 Channel 15 Programmable Address Register
83010F30	<u>DMA15_WRPTR</u>	32	DMA CR4 Channel 15 Write Pointer
83010F34	<u>DMA15_RDPTR</u>	32	DMA CR4 Channel 15 Read Pointer
83010F38	<u>DMA15_FFCNT</u>	32	DMA CR4 Channel 15 FIFO Count
83010F3C	<u>DMA15_FFSTA</u>	32	DMA CR4 Channel 15 FIFO Status
83010F40	<u>DMA15_ALTLEN</u>	32	DMA CR4 Channel 15 Alert Length Register
83010F44	<u>DMA15_FFSIZE</u>	32	DMA CR4 Channel 15 Virtual FIFO Size

Address	Name	Width	Register Function
			Register
83010F48	<u>DMA15_CVFF</u>	32	DMA CR4 Channel 15 Cascade Virtual FIFO Control Register
83010F50	<u>DMA15_TO</u>	32	DMA CR4 Channel 15 Timeout Value Register
83011010	<u>DMA16_COUNT</u>	32	DMA CR4 Channel 16 Transfer Count Register
83011014	<u>DMA16_CON</u>	32	DMA CR4 Channel 16 Control Register
83011018	<u>DMA16_START</u>	32	DMA CR4 Channel 16 Start Register
8301101C	<u>DMA16_INTSTA</u>	32	DMA CR4 Channel 16 Interrupt Status Register
83011020	<u>DMA16_ACKINT</u>	32	DMA CR4 Channel 16 Interrupt Acknowledge Register
83011028	<u>DMA16_LIMITER</u>	32	DMA CR4 Channel 16 Bandwidth Limiter Register
8301102C	<u>DMA16_PGMADDR</u>	32	DMA CR4 Channel 16 Programmable Address Register
83011030	<u>DMA16_WRPTR</u>	32	DMA CR4 Channel 16 Write Pointer
83011034	<u>DMA16_RDPTR</u>	32	DMA CR4 Channel 16 Read Pointer
83011038	<u>DMA16_FFCNT</u>	32	DMA CR4 Channel 16 FIFO Count
8301103C	<u>DMA16_FFSTA</u>	32	DMA CR4 Channel 16 FIFO Status
83011040	<u>DMA16_ALTLEN</u>	32	DMA CR4 Channel 16 Alert Length Register
83011044	<u>DMA16_FFSIZE</u>	32	DMA CR4 Channel 16 Virtual FIFO Size Register
83011048	<u>DMA16_CVFF</u>	32	DMA CR4 Channel 16 Cascade Virtual FIFO Control Register
83011050	<u>DMA16_TO</u>	32	DMA CR4 Channel 16 Timeout Value Register
83011110	<u>DMA17_COUNT</u>	32	DMA CR4 Channel 17 Transfer Count Register
83011114	<u>DMA17_CON</u>	32	DMA CR4 Channel 17 Control Register
83011118	<u>DMA17_START</u>	32	DMA CR4 Channel 17 Start Register
8301111C	<u>DMA17_INTSTA</u>	32	DMA CR4 Channel 17 Interrupt Status Register
83011120	<u>DMA17_ACKINT</u>	32	DMA CR4 Channel 17 Interrupt Acknowledge Register
83011128	<u>DMA17_LIMITER</u>	32	DMA CR4 Channel 17 Bandwidth Limiter Register
8301112C	<u>DMA17_PGMADDR</u>	32	DMA CR4 Channel 17 Programmable Address Register
83011130	<u>DMA17_WRPTR</u>	32	DMA CR4 Channel 17 Write Pointer
83011134	<u>DMA17_RDPTR</u>	32	DMA CR4 Channel 17 Read Pointer
83011138	<u>DMA17_FFCNT</u>	32	DMA CR4 Channel 17 FIFO Count
8301113C	<u>DMA17_FFSTA</u>	32	DMA CR4 Channel 17 FIFO Status
83011140	<u>DMA17_ALTLEN</u>	32	DMA CR4 Channel 17 Alert Length Register
83011144	<u>DMA17_FFSIZE</u>	32	DMA CR4 Channel 17 Virtual FIFO Size Register

Address	Name	Width	Register Function
83011148	<u>DMA17 CVFF</u>	32	DMA CR4 Channel 17 Cascade Virtual FIFO Control Register
83011150	<u>DMA17 TO</u>	32	DMA CR4 Channel 17 Timeout Value Register
83011210	<u>DMA18 COUNT</u>	32	DMA CR4 Channel 18 Transfer Count Register
83011214	<u>DMA18 CON</u>	32	DMA CR4 Channel 18 Control Register
83011218	<u>DMA18 START</u>	32	DMA CR4 Channel 18 Start Register
8301121C	<u>DMA18 INTSTA</u>	32	DMA CR4 Channel 18 Interrupt Status Register
83011220	<u>DMA18 ACKINT</u>	32	DMA CR4 Channel 18 Interrupt Acknowledge Register
83011228	<u>DMA18 LIMITER</u>	32	DMA CR4 Channel 18 Bandwidth Limiter Register
8301122C	<u>DMA18 PGMADDR</u>	32	DMA CR4 Channel 18 Programmable Address Register
83011230	<u>DMA18 WRPTR</u>	32	DMA CR4 Channel 18 Write Pointer
83011234	<u>DMA18 RDPTR</u>	32	DMA CR4 Channel 18 Read Pointer
83011238	<u>DMA18 FFCNT</u>	32	DMA CR4 Channel 18 FIFO Count
8301123C	<u>DMA18 FFSTA</u>	32	DMA CR4 Channel 18 FIFO Status
83011240	<u>DMA18 ALTLEN</u>	32	DMA CR4 Channel 18 Alert Length Register
83011244	<u>DMA18 FFSIZE</u>	32	DMA CR4 Channel 18 Virtual FIFO Size Register
83011248	<u>DMA18 CVFF</u>	32	DMA CR4 Channel 18 Cascade Virtual FIFO Control Register
83011250	<u>DMA18 TO</u>	32	DMA CR4 Channel 18 Timeout Value Register
83011310	<u>DMA19 COUNT</u>	32	DMA CR4 Channel 19 Transfer Count Register
83011314	<u>DMA19 CON</u>	32	DMA CR4 Channel 19 Control Register
83011318	<u>DMA19 START</u>	32	DMA CR4 Channel 19 Start Register
8301131C	<u>DMA19 INTSTA</u>	32	DMA CR4 Channel 19 Interrupt Status Register
83011320	<u>DMA19 ACKINT</u>	32	DMA CR4 Channel 19 Interrupt Acknowledge Register
83011328	<u>DMA19 LIMITER</u>	32	DMA CR4 Channel 19 Bandwidth Limiter Register
8301132C	<u>DMA19 PGMADDR</u>	32	DMA CR4 Channel 19 Programmable Address Register
83011330	<u>DMA19 WRPTR</u>	32	DMA CR4 Channel 19 Write Pointer
83011334	<u>DMA19 RDPTR</u>	32	DMA CR4 Channel 19 Read Pointer
83011338	<u>DMA19 FFCNT</u>	32	DMA CR4 Channel 19 FIFO Count
8301133C	<u>DMA19 FFSTA</u>	32	DMA CR4 Channel 19 FIFO Status
83011340	<u>DMA19 ALTLEN</u>	32	DMA CR4 Channel 19 Alert Length Register
83011344	<u>DMA19 FFSIZE</u>	32	DMA CR4 Channel 19 Virtual FIFO Size Register
83011348	<u>DMA19 CVFF</u>	32	DMA CR4 Channel 19 Cascade Virtual

Address	Name	Width	Register Function
			FIFO Control Register
83011350	<u>DMA19_TO</u>	32	DMA CR4 Channel 19 Timeout Value Register
83011410	<u>DMA20_COUNT</u>	32	DMA CR4 Channel 20 Transfer Count Register
83011414	<u>DMA20_CON</u>	32	DMA CR4 Channel 20 Control Register
83011418	<u>DMA20_START</u>	32	DMA CR4 Channel 20 Start Register
8301141C	<u>DMA20_INTSTA</u>	32	DMA CR4 Channel 20 Interrupt Status Register
83011420	<u>DMA20_ACKINT</u>	32	DMA CR4 Channel 20 Interrupt Acknowledge Register
83011428	<u>DMA20_LIMITER</u>	32	DMA CR4 Channel 20 Bandwidth Limiter Register
8301142C	<u>DMA20_PGMADDR</u>	32	DMA CR4 Channel 20 Programmable Address Register
83011430	<u>DMA20_WRPTR</u>	32	DMA CR4 Channel 20 Write Pointer
83011434	<u>DMA20_RDPTR</u>	32	DMA CR4 Channel 20 Read Pointer
83011438	<u>DMA20_FFCNT</u>	32	DMA CR4 Channel 20 FIFO Count
8301143C	<u>DMA20_FFSTA</u>	32	DMA CR4 Channel 20 FIFO Status
83011440	<u>DMA20_ALTLEN</u>	32	DMA CR4 Channel 20 Alert Length Register
83011444	<u>DMA20_FFSIZE</u>	32	DMA CR4 Channel 20 Virtual FIFO Size Register
83011448	<u>DMA20_CVFF</u>	32	DMA CR4 Channel 20 Cascade Virtual FIFO Control Register
83011450	<u>DMA20_TO</u>	32	DMA CR4 Channel 20 Timeout Value Register
83011510	<u>DMA21_COUNT</u>	32	DMA CR4 Channel 21 Transfer Count Register
83011514	<u>DMA21_CON</u>	32	DMA CR4 Channel 21 Control Register
83011518	<u>DMA21_START</u>	32	DMA CR4 Channel 21 Start Register
8301151C	<u>DMA21_INTSTA</u>	32	DMA CR4 Channel 21 Interrupt Status Register
83011520	<u>DMA21_ACKINT</u>	32	DMA CR4 Channel 21 Interrupt Acknowledge Register
83011528	<u>DMA21_LIMITER</u>	32	DMA CR4 Channel 21 Bandwidth Limiter Register
8301152C	<u>DMA21_PGMADDR</u>	32	DMA CR4 Channel 21 Programmable Address Register
83011530	<u>DMA21_WRPTR</u>	32	DMA CR4 Channel 21 Write Pointer
83011534	<u>DMA21_RDPTR</u>	32	DMA CR4 Channel 21 Read Pointer
83011538	<u>DMA21_FFCNT</u>	32	DMA CR4 Channel 21 FIFO Count
8301153C	<u>DMA21_FFSTA</u>	32	DMA CR4 Channel 21 FIFO Status
83011540	<u>DMA21_ALTLEN</u>	32	DMA CR4 Channel 21 Alert Length Register
83011544	<u>DMA21_FFSIZE</u>	32	DMA CR4 Channel 21 Virtual FIFO Size Register
83011548	<u>DMA21_CVFF</u>	32	DMA CR4 Channel 21 Cascade Virtual FIFO Control Register

Address	Name	Width	Register Function
83011550	<u>DMA21_TO</u>	32	DMA CR4 Channel 21 Timeout Value Register
83011610	<u>DMA22_COUNT</u>	32	DMA CR4 Channel 22 Transfer Count Register
83011614	<u>DMA22_CON</u>	32	DMA CR4 Channel 22 Control Register
83011618	<u>DMA22_START</u>	32	DMA CR4 Channel 22 Start Register
8301161C	<u>DMA22_INTSTA</u>	32	DMA CR4 Channel 22 Interrupt Status Register
83011620	<u>DMA22_ACKINT</u>	32	DMA CR4 Channel 22 Interrupt Acknowledge Register
83011628	<u>DMA22_LIMITER</u>	32	DMA CR4 Channel 22 Bandwidth Limiter Register
8301162C	<u>DMA22_PGMADDR</u>	32	DMA CR4 Channel 22 Programmable Address Register
83011630	<u>DMA22_WRPTR</u>	32	DMA CR4 Channel 22 Write Pointer
83011634	<u>DMA22_RDPTR</u>	32	DMA CR4 Channel 22 Read Pointer
83011638	<u>DMA22_FFCNT</u>	32	DMA CR4 Channel 22 FIFO Count
8301163C	<u>DMA22_FFSTA</u>	32	DMA CR4 Channel 22 FIFO Status
83011640	<u>DMA22_ALTLEN</u>	32	DMA CR4 Channel 22 Alert Length Register
83011644	<u>DMA22_FFSIZE</u>	32	DMA CR4 Channel 22 Virtual FIFO Size Register
83011648	<u>DMA22_CVFF</u>	32	DMA CR4 Channel 22 Cascade Virtual FIFO Control Register
83011650	<u>DMA22_TO</u>	32	DMA CR4 Channel 22 Timeout Value Register
83011710	<u>DMA23_COUNT</u>	32	DMA CR4 Channel 23 Transfer Count Register
83011714	<u>DMA23_CON</u>	32	DMA CR4 Channel 23 Control Register
83011718	<u>DMA23_START</u>	32	DMA CR4 Channel 23 Start Register
8301171C	<u>DMA23_INTSTA</u>	32	DMA CR4 Channel 23 Interrupt Status Register
83011720	<u>DMA23_ACKINT</u>	32	DMA CR4 Channel 23 Interrupt Acknowledge Register
83011728	<u>DMA23_LIMITER</u>	32	DMA CR4 Channel 23 Bandwidth Limiter Register
8301172C	<u>DMA23_PGMADDR</u>	32	DMA CR4 Channel 23 Programmable Address Register
83011730	<u>DMA23_WRPTR</u>	32	DMA CR4 Channel 23 Write Pointer
83011734	<u>DMA23_RDPTR</u>	32	DMA CR4 Channel 23 Read Pointer
83011738	<u>DMA23_FFCNT</u>	32	DMA CR4 Channel 23 FIFO Count
8301173C	<u>DMA23_FFSTA</u>	32	DMA CR4 Channel 23 FIFO Status
83011740	<u>DMA23_ALTLEN</u>	32	DMA CR4 Channel 23 Alert Length Register
83011744	<u>DMA23_FFSIZE</u>	32	DMA CR4 Channel 23 Virtual FIFO Size Register
83011748	<u>DMA23_CVFF</u>	32	DMA CR4 Channel 23 Cascade Virtual FIFO Control Register
83011750	<u>DMA23_TO</u>	32	DMA CR4 Channel 23 Timeout Value

Address	Name	Width	Register Function
			Register
83011810	<u>DMA24_COUNT</u>	32	DMA CR4 Channel 24 Transfer Count Register
83011814	<u>DMA24_CON</u>	32	DMA CR4 Channel 24 Control Register
83011818	<u>DMA24_START</u>	32	DMA CR4 Channel 24 Start Register
8301181C	<u>DMA24_INTSTA</u>	32	DMA CR4 Channel 24 Interrupt Status Register
83011820	<u>DMA24_ACKINT</u>	32	DMA CR4 Channel 24 Interrupt Acknowledge Register
83011828	<u>DMA24_LIMITER</u>	32	DMA CR4 Channel 24 Bandwidth Limiter Register
8301182C	<u>DMA24_PGMADDR</u>	32	DMA CR4 Channel 24 Programmable Address Register
83011830	<u>DMA24_WRPTR</u>	32	DMA CR4 Channel 24 Write Pointer
83011834	<u>DMA24_RDPTR</u>	32	DMA CR4 Channel 24 Read Pointer
83011838	<u>DMA24_FFCNT</u>	32	DMA CR4 Channel 24 FIFO Count
8301183C	<u>DMA24_FFSTA</u>	32	DMA CR4 Channel 24 FIFO Status
83011840	<u>DMA24_ALTLEN</u>	32	DMA CR4 Channel 24 Alert Length Register
83011844	<u>DMA24_FFSIZE</u>	32	DMA CR4 Channel 24 Virtual FIFO Size Register
83011848	<u>DMA24_CVFF</u>	32	DMA CR4 Channel 24 Cascade Virtual FIFO Control Register
83011850	<u>DMA24_TO</u>	32	DMA CR4 Channel 24 Timeout Value Register
83011910	<u>DMA25_COUNT</u>	32	DMA CR4 Channel 25 Transfer Count Register
83011914	<u>DMA25_CON</u>	32	DMA CR4 Channel 25 Control Register
83011918	<u>DMA25_START</u>	32	DMA CR4 Channel 25 Start Register
8301191C	<u>DMA25_INTSTA</u>	32	DMA CR4 Channel 25 Interrupt Status Register
83011920	<u>DMA25_ACKINT</u>	32	DMA CR4 Channel 25 Interrupt Acknowledge Register
83011928	<u>DMA25_LIMITER</u>	32	DMA CR4 Channel 25 Bandwidth Limiter Register
8301192C	<u>DMA25_PGMADDR</u>	32	DMA CR4 Channel 25 Programmable Address Register
83011930	<u>DMA25_WRPTR</u>	32	DMA CR4 Channel 25 Write Pointer
83011934	<u>DMA25_RDPTR</u>	32	DMA CR4 Channel 25 Read Pointer
83011938	<u>DMA25_FFCNT</u>	32	DMA CR4 Channel 25 FIFO Count
8301193C	<u>DMA25_FFSTA</u>	32	DMA CR4 Channel 25 FIFO Status
83011940	<u>DMA25_ALTLEN</u>	32	DMA CR4 Channel 25 Alert Length Register
83011944	<u>DMA25_FFSIZE</u>	32	DMA CR4 Channel 25 Virtual FIFO Size Register
83011948	<u>DMA25_CVFF</u>	32	DMA CR4 Channel 25 Cascade Virtual FIFO Control Register
83011950	<u>DMA25_TO</u>	32	DMA CR4 Channel 25 Timeout Value Register

83010000 DMA CM4 GLBSTA DMA CR4 Global Status Register 0. 00000000

This register helps software program keep track of the global status of DMA channels.

Bit	31	30	29	28	27	26	25	24	23	22	21	20	19	18	17	16
Name	IT16	RUN16	IT15	RUN15	IT14	RUN14	IT13	RUN13	IT12	RUN12	IT11	RUN11	IT10	RUN10	IT9	RUN9
Type	RO	RO	RO	RO	RO	RO	RO	RO	RO	RO	RO	RO	RO	RO	RO	RO
Reset	0	0	0	0	0	0	0	0	0	0	0	0	0	0	0	0
Bit	15	14	13	12	11	10	9	8	7	6	5	4	3	2	1	0
Name	IT8	RUN8	IT7	RUN7	IT6	RUN6	IT5	RUN5	IT4	RUN4	IT3	RUN3	IT2	RUN2	IT1	RUN1
Type	RO	RO	RO	RO	RO	RO	RO	RO	RO	RO	RO	RO	RO	RO	RO	RO
Reset	0	0	0	0	0	0	0	0	0	0	0	0	0	0	0	0

Bit(s)	Name	Description
31	IT16	ITN Interrupt status for channel 16 0 : No interrupt is generated. 1 : An interrupt is pending and waiting for service.
30	RUN16	RUNN DMA channel 16 status 0 Channel 16 is stopped or has completed the transfer already. 1 Channel 16 is currently running
29	IT15	ITN Interrupt status for channel 15 0 : No interrupt is generated. 1 : An interrupt is pending and waiting for service.
28	RUN15	RUNN DMA channel 15 status 0 Channel 15 is stopped or has completed the transfer already. 1 Channel 15 is currently running
27	IT14	ITN Interrupt status for channel 14 0 : No interrupt is generated. 1 : An interrupt is pending and waiting for service.
26	RUN14	RUNN DMA channel 14 status 0 Channel 14 is stopped or has completed the transfer already. 1 Channel 14 is currently running
25	IT13	ITN Interrupt status for channel 13 0 : No interrupt is generated. 1 : An interrupt is pending and waiting for service.
24	RUN13	RUNN DMA channel 13 status 0 Channel 13 is stopped or has completed the transfer already. 1 Channel 13 is currently running
23	IT12	ITN Interrupt status for channel 12 0 : No interrupt is generated. 1 : An interrupt is pending and waiting for service.
22	RUN12	RUNN DMA channel 12 status 0 Channel 12 is stopped or has completed the transfer already. 1 Channel 12 is currently running
21	IT11	ITN Interrupt status for channel 11 0 : No interrupt is generated. 1 : An interrupt is pending and waiting for service.
20	RUN11	RUNN DMA channel 11 status 0 Channel 11 is stopped or has completed the transfer already.

Bit(s)	Name	Description
19	IT10	1 Channel 11 is currently running ITN Interrupt status for channel 10 0 : No interrupt is generated. 1 : An interrupt is pending and waiting for service.
18	RUN10	RUNN DMA channel 10 status 0 Channel 10 is stopped or has completed the transfer already. 1 Channel 10 is currently running
17	IT9	ITN Interrupt status for channel 9 0 : No interrupt is generated. 1 : An interrupt is pending and waiting for service.
16	RUN9	RUNN DMA channel 9 status 0 Channel 9 is stopped or has completed the transfer already. 1 Channel 9 is currently running
15	IT8	ITN Interrupt status for channel 8 0 : No interrupt is generated. 1 : An interrupt is pending and waiting for service.
14	RUN8	RUNN DMA channel 8 status 0 Channel 8 is stopped or has completed the transfer already. 1 Channel 8 is currently running
13	IT7	ITN Interrupt status for channel 7 0 : No interrupt is generated. 1 : An interrupt is pending and waiting for service.
12	RUN7	RUNN DMA channel 7 status 0 Channel 7 is stopped or has completed the transfer already. 1 Channel 7 is currently running
11	IT6	ITN Interrupt status for channel 6 0 : No interrupt is generated. 1 : An interrupt is pending and waiting for service.
10	RUN6	RUNN DMA channel 6 status 0 Channel 6 is stopped or has completed the transfer already. 1 Channel 6 is currently running
9	IT5	ITN Interrupt status for channel 5 0 : No interrupt is generated. 1 : An interrupt is pending and waiting for service.
8	RUN5	RUNN DMA channel 5 status 0 Channel 5 is stopped or has completed the transfer already. 1 Channel 5 is currently running
7	IT4	ITN Interrupt status for channel 4 0 : No interrupt is generated. 1 : An interrupt is pending and waiting for service.
6	RUN4	RUNN DMA channel 4 status 0 Channel 4 is stopped or has completed the transfer already. 1 Channel 4 is currently running
5	IT3	ITN Interrupt status for channel 3 0 : No interrupt is generated. 1 : An interrupt is pending and waiting for service.
4	RUN3	RUNN DMA channel 3 status 0 Channel 3 is stopped or has completed the transfer already. 1 Channel 3 is currently running
3	IT2	ITN Interrupt status for channel 2 0 : No interrupt is generated. 1 : An interrupt is pending and waiting for service.
2	RUN2	RUNN DMA channel 2 status 0 Channel 2 is stopped or has completed the transfer already. 1 Channel 2 is currently running
1	IT1	ITN Interrupt status for channel 1 0 : No interrupt is generated. 1 : An interrupt is pending and waiting for service.
0	RUN1	RUNN DMA channel 1 status 0 Channel 1 is stopped or has completed the transfer already.

Bit(s)	Name	Description
		1 Channel 1 is currently running

83010004 DMA CM4 GLBSTA 1 **DMA CR4 Global Status Register 1.** **00000000**
This register helps software program keep track of the global status of DMA channels.

Bit	31	30	29	28	27	26	25	24	23	22	21	20	19	18	17	16
Name															IT25	RUN25
Type															RO	RO
Reset															0	0
Bit	15	14	13	12	11	10	9	8	7	6	5	4	3	2	1	0
Name	IT24	RUN24	IT23	RUN23	IT22	RUN22	IT21	RUN21	IT20	RUN20	IT19	RUN19	IT18	RUN18	IT17	RUN17
Type	RO	RO	RO	RO	RO	RO	RO	RO	RO	RO	RO	RO	RO	RO	RO	RO
Reset	0	0	0	0	0	0	0	0	0	0	0	0	0	0	0	0

Bit(s)	Name	Description
17	IT25	ITN Interrupt status for channel 25 0 : No interrupt is generated. 1 : An interrupt is pending and waiting for service.
16	RUN25	RUNN DMA channel 25 status 0 Channel 25 is stopped or has completed the transfer already. 1 Channel 25 is currently running
15	IT24	ITN Interrupt status for channel 24 0 : No interrupt is generated. 1 : An interrupt is pending and waiting for service.
14	RUN24	RUNN DMA channel 24 status 0 Channel 24 is stopped or has completed the transfer already. 1 Channel 24 is currently running
13	IT23	ITN Interrupt status for channel 23 0 : No interrupt is generated. 1 : An interrupt is pending and waiting for service.
12	RUN23	RUNN DMA channel 23 status 0 Channel 23 is stopped or has completed the transfer already. 1 Channel 23 is currently running
11	IT22	ITN Interrupt status for channel 22 0 : No interrupt is generated. 1 : An interrupt is pending and waiting for service.
10	RUN22	RUNN DMA channel 22 status 0 Channel 22 is stopped or has completed the transfer already. 1 Channel 22 is currently running
9	IT21	ITN Interrupt status for channel 21 0 : No interrupt is generated. 1 : An interrupt is pending and waiting for service.
8	RUN21	RUNN DMA channel 21 status 0 Channel 21 is stopped or has completed the transfer already. 1 Channel 21 is currently running
7	IT20	ITN Interrupt status for channel 20 0 : No interrupt is generated.

Bit(s)	Name	Description
6	RUN20	1 : An interrupt is pending and waiting for service. RUNN DMA channel 20 status 0 Channel 20 is stopped or has completed the transfer already. 1 Channel 20 is currently running
5	IT19	ITN Interrupt status for channel 19 0 : No interrupt is generated. 1 : An interrupt is pending and waiting for service.
4	RUN19	RUNN DMA channel 19 status 0 Channel 19 is stopped or has completed the transfer already. 1 Channel 19 is currently running
3	IT18	ITN Interrupt status for channel 18 0 : No interrupt is generated. 1 : An interrupt is pending and waiting for service.
2	RUN18	RUNN DMA channel 18 status 0 Channel 18 is stopped or has completed the transfer already. 1 Channel 18 is currently running
1	IT17	ITN Interrupt status for channel 17 0 : No interrupt is generated. 1 : An interrupt is pending and waiting for service.
0	RUN17	RUNN DMA channel 17 status 0 Channel 17 is stopped or has completed the transfer already. 1 Channel 17 is currently running

83010010 DMA_CM4_GROUP0 DMA CR4 Group Setting Register 0 00000000

Bit	31	30	29	28	27	26	25	24	23	22	21	20	19	18	17	16
Name	GROUP_CH16		GROUP_CH15		GROUP_CH14		GROUP_CH13		GROUP_CH12		GROUP_CH11		GROUP_CH10		GROUP_CH9	
Type	RW		RW		RW		RW		RW		RW		RW		RW	
Reset	0	0	0	0	0	0	0	0	0	0	0	0	0	0	0	0
Bit	15	14	13	12	11	10	9	8	7	6	5	4	3	2	1	0
Name	GROUP_CH8		GROUP_CH7		GROUP_CH6		GROUP_CH5		GROUP_CH4		GROUP_CH3		GROUP_CH2		GROUP_CH1	
Type	RW		RW		RW		RW		RW		RW		RW		RW	
Reset	0	0	0	0	0	0	0	0	0	0	0	0	0	0	0	0

Bit(s)	Name	Description
31:30	GROUP_CH16	This will identified which priority group that Channel 16 is.
29:28	GROUP_CH15	This will identified which priority group that Channel 15 is.
27:26	GROUP_CH14	This will identified which priority group that Channel 14 is.
25:24	GROUP_CH13	This will identified which priority group that Channel 13 is.
23:22	GROUP_CH12	This will identified which priority group that Channel 12 is.
21:20	GROUP_CH11	This will identified which priority group that Channel 11 is.
19:18	GROUP_CH10	This will identified which priority group that Channel 10 is.
17:16	GROUP_CH9	This will identified which priority group that Channel 9 is.
15:14	GROUP_CH8	This will identified which priority group that Channel 8 is.
13:12	GROUP_CH7	This will identified which priority group that Channel 7 is.

Bit(s)	Name	Description
11:10	GROUP_CH6	This will identified which priority group that Channel 6 is.
9:8	GROUP_CH5	This will identified which priority group that Channel 5 is.
7:6	GROUP_CH4	This will identified which priority group that Channel 4 is.
5:4	GROUP_CH3	This will identified which priority group that Channel 3 is.
3:2	GROUP_CH2	This will identified which priority group that Channel 2 is.
1:0	GROUP_CH1	This will identified which priority group that Channel 1 is.

83010014 DMA CM4 GROUP1 DMA CR4 Group Setting Register 1 00000000

Bit	31	30	29	28	27	26	25	24	23	22	21	20	19	18	17	16
Name																GROUP_CH25
Type																RW
Reset															0	0
Bit	15	14	13	12	11	10	9	8	7	6	5	4	3	2	1	0
Name	GROUP_CH24		GROUP_CH23		GROUP_CH22		GROUP_CH21		GROUP_CH20		GROUP_CH19		GROUP_CH18		GROUP_CH17	
Type	RW		RW		RW		RW		RW		RW		RW		RW	
Reset	0	0	0	0	0	0	0	0	0	0	0	0	0	0	0	0

Bit(s)	Name	Description
17:16	GROUP_CH25	This will identified which priority group that Channel 0 is.
15:14	GROUP_CH24	This will identified which priority group that Channel 24 is.
13:12	GROUP_CH23	This will identified which priority group that Channel 23 is.
11:10	GROUP_CH22	This will identified which priority group that Channel 22 is.
9:8	GROUP_CH21	This will identified which priority group that Channel 21 is.
7:6	GROUP_CH20	This will identified which priority group that Channel 20 is.
5:4	GROUP_CH19	This will identified which priority group that Channel 19 is.
3:2	GROUP_CH18	This will identified which priority group that Channel 18 is.
1:0	GROUP_CH17	This will identified which priority group that Channel 17 is.

83010028 DMA CM4 GLBLIM DMA CR4 Global Bandwidth Limiter Register 00000000

Bit	31	30	29	28	27	26	25	24	23	22	21	20	19	18	17	16		
Name																		
Type																		
Reset																		
Bit	15	14	13	12	11	10	9	8	7	6	5	4	3	2	1	0		
Name									GLBLIMITER									

e																
Type																WO
Reset																0 0 0 0 0 0 0 0

Bit(s)	Name	Description
7:0	GLBLIMITER	Please refer to the expression in DMA _n _LIMITER for detailed note. The value of DMA_GLBLIMITER is set to all DMA channels.

83010100 DMA1_SRC DMA CR4 Channel 1 Source Address Register 00000000

Bit	31	30	29	28	27	26	25	24	23	22	21	20	19	18	17	16
Name	SRC															
Type	RW															
Reset	0	0	0	0	0	0	0	0	0	0	0	0	0	0	0	0
Bit	15	14	13	12	11	10	9	8	7	6	5	4	3	2	1	0
Name	SRC															
Type	RW															
Reset	0	0	0	0	0	0	0	0	0	0	0	0	0	0	0	0

Bit(s)	Name	Description
31:0	SRC	SRC[31:0] specifies the base or current address of transfer source for a DMA channel N. WRITE : Base address of transfer source READ : Address from which DMA is reading

83010104 DMA1_DST DMA CR4 Channel 1 Destination Address Register 00000000

Bit	31	30	29	28	27	26	25	24	23	22	21	20	19	18	17	16
Name	DST															
Type	RW															
Reset	0	0	0	0	0	0	0	0	0	0	0	0	0	0	0	0
Bit	15	14	13	12	11	10	9	8	7	6	5	4	3	2	1	0
Name	DST															
Type	RW															
Reset	0	0	0	0	0	0	0	0	0	0	0	0	0	0	0	0

Bit(s)	Name	Description
31:0	DST	DST[31:0] specifies the base or current address of

Bit(s)	Name	Description
		transfer destination for a DMA channel. WRITE Base address of transfer destination. READ Address to which DMA is writing.

83010108 DMA1 WPPT **DMA CR4 Channel 1 Wrap Point** **00000000**
Address Register

Bit	31	30	29	28	27	26	25	24	23	22	21	20	19	18	17	16
Name																
Type																
Reset																
Bit	15	14	13	12	11	10	9	8	7	6	5	4	3	2	1	0
Name	WPPT															
Type	RW															
Reset	0	0	0	0	0	0	0	0	0	0	0	0	0	0	0	0

Bit(s)	Name	Description
15:0	WPPT	WPPT[15:0] specifies the amount of the transfer count from start to jumping point for a DMA channel. WRITE :Address of the jump point. READ :Value set by the programmer.

8301010C DMA1 WPTO **DMA CR4 Channel 1 Wrap To** **00000000**
Address Register

Bit	31	30	29	28	27	26	25	24	23	22	21	20	19	18	17	16
Name	WPTO															
Type	RW															
Reset	0	0	0	0	0	0	0	0	0	0	0	0	0	0	0	0
Bit	15	14	13	12	11	10	9	8	7	6	5	4	3	2	1	0
Name	WPTO															
Type	RW															
Reset	0	0	0	0	0	0	0	0	0	0	0	0	0	0	0	0

Bit(s)	Name	Description
31:0	WPTO	WPTO[31:0] specifies the address of the jump point for a DMA channel, i.e. channel. WRITE :Address of the jump destination. READ :Value set by the programmer.

83010110 DMA1 COUNT

DMA CR4 Channel 1 Transfer Count 00000000 Register

Bit	31	30	29	28	27	26	25	24	23	22	21	20	19	18	17	16
Name																
Type																
Reset																
Bit	15	14	13	12	11	10	9	8	7	6	5	4	3	2	1	0
Name	LEN															
Type	RW															
Reset	0	0	0	0	0	0	0	0	0	0	0	0	0	0	0	0

Bit(s)	Name	Description
15:0	LEN	The amount of total transfer count This register specifies the amount of total transfer count that the DMA channel is required to perform. Upon completion, the DMA channel generates an interrupt request to the processor while ITEN in DMA _n _CON is set as '1'. Note that the total size of data being transferred by a DMA channel is determined by LEN together with the SIZE in DMA _n _CON, i.e. LEN x SIZE.

83010114 DMA1 CON

DMA CR4 Channel 1 Control Register

03F00000

Bit	31	30	29	28	27	26	25	24	23	22	21	20	19	18	17	16	
Name							MAS								WP EN	WP SD	
Type							RW								RW	RW	
Reset							1	1	1	1	1	1			0	0	
Bit	15	14	13	12	11	10	9	8	7	6	5	4	3	2	1	0	
Name	ITEN	TOEN					BURST						DR EQ	DI NC	SIN C	SIZE	
Type	RW	RW					RW						RW	RW	RW	RW	
Reset	0	0				0	0	0				0	0	0	0	0	

Bit(s)	Name	Description
25:20	MAS	Master selection. Specifies which master occupies this DMA channel. Once assigned to certain master, the corresponding DREQ and DACK are connected. For half-size and Virtual FIFO DMA channels, i.e. channels 3 ~ 25, a predefined address is assigned as well. Value Selected Master SADDR 6'd0 : Don't Use 6'd1 : Don't Use 6'd2 : I2C-0 (HALF) TX 0x83090000 6'd3 : I2C-0 (HALF) RX 0x83090000 6'd4 : I2C-1(HALF) TX 0x830A0000

Bit(s)	Name	Description
		6'd5 : I2C-1 (HALF) RX 0x830A0000
		6'd6 : I2S/Audio (VFF) TX 0x22000000
		6'd7 : I2S/Audio (VFF) RX 0x22000000
		6'd8 : UARTo(VFF) TX 0x83030000
		6'd9 : UARTo(VFF) RX 0x83030000
		6'd10 : UART1(VFF) TX 0x83040000
		6'd11 : UART1(VFF) RX 0x83040000
		6'd12 : BTIF(VFF) TX 0x830E0000
		6'd13 : BTIF(VFF) RX 0x830E0000
		6'd14 : HIF(USB EP2I HALF) Tx 0x50310000
		6'd15 : HIF(USB EP2O VFF) Rx 0x50310004
		6'd16 : HIF(USB EP3I VFF) Tx 0x50310008
		6'd17 : HIF(USB EP3O VFF) Rx 0x5031000C
		6'd18 : HIF(USB EP4I VFF) Tx 0x50310010
		6'd19 : HIF(USB EP4O HALF) Rx 0x50310014
		6'd20 : ADC(VFF) RX 0x830D0000
		6'd21 : WIFI HIF(HALF) TRX 0x50201000
		6'd22 : not used 0x830B0000
		6'd23 : not used 0x830B0000
		6'd24~37 : VFF Data Port 0x79000m00
		*m is N-12
		other: reserved
		default :6'h3f
		SPI-M use full size channel
		If you use dma moving data from memory to memory (ex :full-size dma) , please select default value asyour master setting
17	WPEN	Address-wrapping for ring buffer. The next address of DMA jumps to WRAP TO address when the current address matches WRAP POINT count. 0 Disable 1 Enable
16	WPSD	No effect on channel 12~25 (Virtual FIFO). The side using address-wrapping function. Only one side of a DMA channel can activate address-wrapping function at a time. 0 Address-wrapping on source . 1 Address-wrapping on destination.
15	ITEN	No effect on channel 12~25 (Virtual FIFO). DMA transfer completion interrupt enable. 0 Disable 1 Enable
14	TOEN	DMA transfer timeout interrupt enable. 0 Disable 1 Enable
10:8	BURST	No effect on channel 1~11 (Full and Half-size). Transfer Type. Burst-type transfers have better bus efficiency. Mass data movement is recommended to use this kind of transfer. However, note that burst-type transfer does not stop until all of the beats in a burst are completed or transfer length is reached. FIFO threshold of peripherals must be configured carefully while being used to move data from/to the peripherals. What transfer type can be used is restricted by the SIZE. If SIZE is oob, i.e. byte transfer, all of the four transfer types can be used. If SIZE is 01b, i.e. half-word transfer, 16-beat incrementing burst cannot be used. If SIZE is 10b, i.e. word transfer, only single and 4-beat incrementing burst can be used. 000 Single

Bit(s)	Name	Description
		001 Reserved
		010 4-beat incrementing burst
		011 Reserved
		100 8-beat incrementing burst
		101 Reserved
		110 16-beat incrementing burst
		111 Reserved
4	DREQ	Throttle and handshake control for DMA transfer 0 No throttle control during DMA transfer or transfers occurred only between memories 1 Hardware handshake management The DMA master is able to throttle down the transfer rate by way of request-grant handshake. suggest DREQ = 0
3	DINC	Incremental destination address. Destination addresses increase every transfer. If the setting of SIZE is Byte, Destination addresses increase by 1 every single transfer. If Half-Word, increase by 2; and if Word, increase by 4. 0 Disable 1 Enable No effect on channel 12~25 (Virtual FIFO). Destination address is the master fixed address for read(TX) or the Virtual FIFO write pointer for write(RX)
2	SINC	Incremental source address. Source addresses increase every transfer. If the setting of SIZE is Byte, Source addresses increase by 1 every single transfer. If Half-Word, increase by 2; and if Word, increase by 4. 0 Disable 1 Enable No effect on channel 12~25 (Virtual FIFO). Source address is the Virtual FIFO read pointer for read(TX) or the master fixed address for write(RX).
1:0	SIZE	Data size within the confine of a bus cycle per transfer. These bits confine the data transfer size between source and destination to the specified value for individual bus cycle. The size is in terms of byte and has maximum value of 4 bytes. It is mainly decided by the data width of a DMA master. 00 Byte transfer/1 byte 01 Half-word transfer/2 bytes 10 Word transfer/4 bytes 11 Reserved

83010118 DMA1 START DMA CR4 Channel 1 Start Register 00000000

Bit	31	30	29	28	27	26	25	24	23	22	21	20	19	18	17	16
Name																
Type																
Reset																
Bit	15	14	13	12	11	10	9	8	7	6	5	4	3	2	1	0
Name	STR															
Type	RW															

Reset	0															
--------------	---	--	--	--	--	--	--	--	--	--	--	--	--	--	--	--

Bit(s)	Name	Description
15	STR	Start control for a DMA channel. 0 The DMA channel is stopped. 1 The DMA channel is started and running.

8301011C DMA1_INTSTA DMA CR4 Channel 1 Interrupt Status Register 00000000

Bit	31	30	29	28	27	26	25	24	23	22	21	20	19	18	17	16
Name																TOINT
Type																RO
Reset																0
Bit	15	14	13	12	11	10	9	8	7	6	5	4	3	2	1	0
Name	INT															
Type	RO															
Reset	0															

Bit(s)	Name	Description
16	TOINT	Timeout Interrupt Status for DMA Channel 0 No interrupt request is generated. 1 One interrupt request is pending and waiting for service. No effect on channel 1~11 (Full and Half-size).
15	INT	Interrupt Status for DMA Channel 0 No interrupt request is generated. 1 One interrupt request is pending and waiting for service.

83010120 DMA1_ACKINT DMA CR4 Channel 1 Interrupt Acknowledge Register 00000000

Bit	31	30	29	28	27	26	25	24	23	22	21	20	19	18	17	16
Name																TOACK
Type																WO
Reset																0
Bit	15	14	13	12	11	10	9	8	7	6	5	4	3	2	1	0
Name	ACK															
Type	WO															
Reset	0															

Bit(s)	Name	Description
16	TOACK	TOACK Timeout Interrupt acknowledge for the DMA channel 0 No effect 1 Interrupt request is acknowledged and should be relinquished.
15	ACK	ACK Interrupt acknowledge for the DMA channel 0 No effect 1 Interrupt request is acknowledged and should be relinquished.

83010124 DMA1 RLCT DMA CR4 Channel 1 Remaining Length of Current Transfer 00000000

Bit	31	30	29	28	27	26	25	24	23	22	21	20	19	18	17	16
Name																
Type																
Reset																
Bit	15	14	13	12	11	10	9	8	7	6	5	4	3	2	1	0
Name	RLCT															
Type	RO															
Reset	0	0	0	0	0	0	0	0	0	0	0	0	0	0	0	0

Bit(s)	Name	Description
15:0	RLCT	This register is to reflect the left amount of the transfer.

83010128 DMA1 LIMITER DMA CR4 Channel 1 Bandwidth Limiter Register 00000000

Bit	31	30	29	28	27	26	25	24	23	22	21	20	19	18	17	16
Name																
Type																
Reset																
Bit	15	14	13	12	11	10	9	8	7	6	5	4	3	2	1	0
Name									LIMITER							
Type									RW							
Reset									0	0	0	0	0	0	0	0

Bit(s)	Name	Description
7:0	LIMITER	from 0 to 255. 0 means no limitation, 255 means totally banned, and others mean Bus access permission every (4 X n) AHB clock

83010200 DMA2 SRC

DMA CR4 Channel 2 Source Address Register

00000000

Bit	31	30	29	28	27	26	25	24	23	22	21	20	19	18	17	16
Name	SRC															
Type	RW															
Reset	0	0	0	0	0	0	0	0	0	0	0	0	0	0	0	0
Bit	15	14	13	12	11	10	9	8	7	6	5	4	3	2	1	0
Name	SRC															
Type	RW															
Reset	0	0	0	0	0	0	0	0	0	0	0	0	0	0	0	0

Bit(s)	Name	Description
31:0	SRC	SRC[31:0] specifies the base or current address of transfer source for a DMA channel N. WRITE : Base address of transfer source READ : Address from which DMA is reading

83010204 DMA2 DST

DMA CR4 Channel 2 Destination Address Register

00000000

Bit	31	30	29	28	27	26	25	24	23	22	21	20	19	18	17	16
Name	DST															
Type	RW															
Reset	0	0	0	0	0	0	0	0	0	0	0	0	0	0	0	0
Bit	15	14	13	12	11	10	9	8	7	6	5	4	3	2	1	0
Name	DST															
Type	RW															
Reset	0	0	0	0	0	0	0	0	0	0	0	0	0	0	0	0

Bit(s)	Name	Description
31:0	DST	DST[31:0] specifies the base or current address of transfer destination for a DMA channel. WRITE Base address of transfer destination. READ Address to which DMA is writing.

83010208 DMA2 WPPT

DMA CR4 Channel 2 Wrap Point Address Register

00000000

Bit	31	30	29	28	27	26	25	24	23	22	21	20	19	18	17	16
Name																

Type																
Reset																
Bit	15	14	13	12	11	10	9	8	7	6	5	4	3	2	1	0
Name	WPPT															
Type	RW															
Reset	0	0	0	0	0	0	0	0	0	0	0	0	0	0	0	0

Bit(s)	Name	Description
15:0	WPPT	WPPT[15:0] specifies the amount of the transfer count from start to jumping point for a DMA channel. WRITE :Address of the jump point. READ :Value set by the programmer.

8301020C DMA2 WPTO **DMA CR4 Channel 2 Wrap To** **00000000**
Address Register

Bit	31	30	29	28	27	26	25	24	23	22	21	20	19	18	17	16
Name	WPTO															
Type	RW															
Reset	0	0	0	0	0	0	0	0	0	0	0	0	0	0	0	0
Bit	15	14	13	12	11	10	9	8	7	6	5	4	3	2	1	0
Name	WPTO															
Type	RW															
Reset	0	0	0	0	0	0	0	0	0	0	0	0	0	0	0	0

Bit(s)	Name	Description
31:0	WPTO	WPTO[31:0] specifies the address of the jump point for a DMA channel, i.e. channel. WRITE :Address of the jump destination. READ :Value set by the programmer.

83010210 DMA2 COUNT **DMA CR4 Channel 2 Transfer** **00000000**
Count Register

Bit	31	30	29	28	27	26	25	24	23	22	21	20	19	18	17	16
Name																
Type																
Reset																
Bit	15	14	13	12	11	10	9	8	7	6	5	4	3	2	1	0
Name	LEN															
Type	RW															

Reset	0	0	0	0	0	0	0	0	0	0	0	0	0	0	0	0
-------	---	---	---	---	---	---	---	---	---	---	---	---	---	---	---	---

Bit(s)	Name	Description
15:0	LEN	<p>The amount of total transfer count This register specifies the amount of total transfer count that the DMA channel is required to perform. Upon completion, the DMA channel generates an interrupt request to the processor while ITEN in DMA_n_CON is set as '1'. Note that the total size of data being transferred by a DMA channel is determined by LEN together with the SIZE in DMA_n_CON, i.e. LEN x SIZE.</p>

83010214 DMA2 CON DMA CR4 Channel 2 Control Register 03F00000

Bit	31	30	29	28	27	26	25	24	23	22	21	20	19	18	17	16	
Name							MAS								WP EN	WP SD	
Type							RW								RW	RW	
Reset							1	1	1	1	1	1			0	0	
Bit	15	14	13	12	11	10	9	8	7	6	5	4	3	2	1	0	
Name	ITEN	TOEN					BURST						DR EQ	DI NC	SIN C	SIZE	
Type	RW	RW					RW						RW	RW	RW	RW	
Reset	0	0				0	0	0				0	0	0	0	0	

Bit(s)	Name	Description																																																												
25:20	MAS	<p>Master selection. Specifies which master occupies this DMA channel. Once assigned to certain master, the corresponding DREQ and DACK are connected. For half-size and Virtual FIFO DMA channels, i.e. channels 3 ~ 25, a predefined address is assigned as well.</p> <table border="0"> <tr> <td>Value</td> <td>Selected Master</td> <td>SADDR</td> </tr> <tr> <td>6'd0</td> <td>: Don't Use</td> <td></td> </tr> <tr> <td>6'd1</td> <td>: Don't Use</td> <td></td> </tr> <tr> <td>6'd2</td> <td>: I2C-0 (HALF) TX</td> <td>0x83090000</td> </tr> <tr> <td>6'd3</td> <td>: I2C-0 (HALF) RX</td> <td>0x83090000</td> </tr> <tr> <td>6'd4</td> <td>: I2C-1 (HALF) TX</td> <td>0x830A0000</td> </tr> <tr> <td>6'd5</td> <td>: I2C-1 (HALF) RX</td> <td>0x830A0000</td> </tr> <tr> <td>6'd6</td> <td>: I2S/Audio (VFF) TX</td> <td>0x22000000</td> </tr> <tr> <td>6'd7</td> <td>: I2S/Audio (VFF) RX</td> <td>0x22000000</td> </tr> <tr> <td>6'd8</td> <td>: UART0(VFF) TX</td> <td>0x83030000</td> </tr> <tr> <td>6'd9</td> <td>: UART0(VFF) RX</td> <td>0x83030000</td> </tr> <tr> <td>6'd10</td> <td>: UART1(VFF) TX</td> <td>0x83040000</td> </tr> <tr> <td>6'd11</td> <td>: UART1(VFF) RX</td> <td>0x83040000</td> </tr> <tr> <td>6'd12</td> <td>: BTIF(VFF) TX</td> <td>0x830E0000</td> </tr> <tr> <td>6'd13</td> <td>: BTIF(VFF) RX</td> <td>0x830E0000</td> </tr> <tr> <td>6'd14</td> <td>: HIF(USB EP2I HALF) Tx</td> <td>0x50310000</td> </tr> <tr> <td>6'd15</td> <td>: HIF(USB EP2O VFF) Rx</td> <td>0x50310004</td> </tr> <tr> <td>6'd16</td> <td>: HIF(USB EP3I VFF) Tx</td> <td>0x50310008</td> </tr> <tr> <td>6'd17</td> <td>: HIF(USB EP3O VFF) Rx</td> <td>0x5031000C</td> </tr> <tr> <td>6'd18</td> <td>: HIF(USB EP4I VFF) Tx</td> <td>0x50310010</td> </tr> </table>	Value	Selected Master	SADDR	6'd0	: Don't Use		6'd1	: Don't Use		6'd2	: I2C-0 (HALF) TX	0x83090000	6'd3	: I2C-0 (HALF) RX	0x83090000	6'd4	: I2C-1 (HALF) TX	0x830A0000	6'd5	: I2C-1 (HALF) RX	0x830A0000	6'd6	: I2S/Audio (VFF) TX	0x22000000	6'd7	: I2S/Audio (VFF) RX	0x22000000	6'd8	: UART0(VFF) TX	0x83030000	6'd9	: UART0(VFF) RX	0x83030000	6'd10	: UART1(VFF) TX	0x83040000	6'd11	: UART1(VFF) RX	0x83040000	6'd12	: BTIF(VFF) TX	0x830E0000	6'd13	: BTIF(VFF) RX	0x830E0000	6'd14	: HIF(USB EP2I HALF) Tx	0x50310000	6'd15	: HIF(USB EP2O VFF) Rx	0x50310004	6'd16	: HIF(USB EP3I VFF) Tx	0x50310008	6'd17	: HIF(USB EP3O VFF) Rx	0x5031000C	6'd18	: HIF(USB EP4I VFF) Tx	0x50310010
Value	Selected Master	SADDR																																																												
6'd0	: Don't Use																																																													
6'd1	: Don't Use																																																													
6'd2	: I2C-0 (HALF) TX	0x83090000																																																												
6'd3	: I2C-0 (HALF) RX	0x83090000																																																												
6'd4	: I2C-1 (HALF) TX	0x830A0000																																																												
6'd5	: I2C-1 (HALF) RX	0x830A0000																																																												
6'd6	: I2S/Audio (VFF) TX	0x22000000																																																												
6'd7	: I2S/Audio (VFF) RX	0x22000000																																																												
6'd8	: UART0(VFF) TX	0x83030000																																																												
6'd9	: UART0(VFF) RX	0x83030000																																																												
6'd10	: UART1(VFF) TX	0x83040000																																																												
6'd11	: UART1(VFF) RX	0x83040000																																																												
6'd12	: BTIF(VFF) TX	0x830E0000																																																												
6'd13	: BTIF(VFF) RX	0x830E0000																																																												
6'd14	: HIF(USB EP2I HALF) Tx	0x50310000																																																												
6'd15	: HIF(USB EP2O VFF) Rx	0x50310004																																																												
6'd16	: HIF(USB EP3I VFF) Tx	0x50310008																																																												
6'd17	: HIF(USB EP3O VFF) Rx	0x5031000C																																																												
6'd18	: HIF(USB EP4I VFF) Tx	0x50310010																																																												

Bit(s)	Name	Description
		6'd19 : HIF(USB EP4O HALF) Rx 0x50310014 6'd20 : ADC(VFF) RX 0x830D0000 6'd21 : WIFI HIF(HALF) TRX 0x50201000 6'd22 : not used 0x830B0000 6'd23 : not used 0x830B0000 6'd24~37 : VFF Data Port 0x79000m00 *m is N-12 other: reserved default :6'h3f SPI-M use full size channel If you use dma moving data from memory to memory (ex :full-size dma) , please select default value asyour master setting
17	WPEN	Address-wrapping for ring buffer. The next address of DMA jumps to WRAP TO address when the current address matches WRAP POINT count. 0 Disable 1 Enable
16	WPSD	No effect on channel 12~25 (Virtual FIFO). The side using address-wrapping function. Only one side of a DMA channel can activate address-wrapping function at a time. 0 Address-wrapping on source . 1 Address-wrapping on destination.
15	ITEN	No effect on channel 12~25 (Virtual FIFO). DMA transfer completion interrupt enable. 0 Disable 1 Enable
14	TOEN	DMA transfer timeout interrupt enable. 0 Disable 1 Enable
10:8	BURST	No effect on channel 1~11 (Full and Half-size). Transfer Type. Burst-type transfers have better bus efficiency. Mass data movement is recommended to use this kind of transfer. However, note that burst-type transfer does not stop until all of the beats in a burst are completed or transfer length is reached. FIFO threshold of peripherals must be configured carefully while being used to move data from/to the peripherals. What transfer type can be used is restricted by the SIZE. If SIZE is 00b, i.e. byte transfer, all of the four transfer types can be used. If SIZE is 01b, i.e. half-word transfer, 16-beat incrementing burst cannot be used. If SIZE is 10b, i.e. word transfer, only single and 4-beat incrementing burst can be used. 000 Single 001 Reserved 010 4-beat incrementing burst 011 Reserved 100 8-beat incrementing burst 101 Reserved 110 16-beat incrementing burst 111 Reserved
4	DREQ	Throttle and handshake control for DMA transfer 0 No throttle control during DMA transfer or transfers occurred only between memories 1 Hardware handshake management The DMA master is able to throttle down the transfer rate by way of request-grant handshake. suggest DREQ = 0

Bit(s)	Name	Description
3	DINC	Incremental destination address. Destination addresses increase every transfer. If the setting of SIZE is Byte, Destination addresses increase by 1 every single transfer. If Half-Word, increase by 2; and if Word, increase by 4. 0 Disable 1 Enable No effect on channel 12~25 (Virtual FIFO). Destination address is the master fixed address for read(TX) or the Virtual FIFO write pointer for write(RX)
2	SINC	Incremental source address. Source addresses increase every transfer. If the setting of SIZE is Byte, Source addresses increase by 1 every single transfer. If Half-Word, increase by 2; and if Word, increase by 4. 0 Disable 1 Enable No effect on channel 12~25 (Virtual FIFO). Source address is the Virtual FIFO read pointer for read(TX) or the master fixed address for write(RX).
1:0	SIZE	Data size within the confine of a bus cycle per transfer. These bits confine the data transfer size between source and destination to the specified value for individual bus cycle. The size is in terms of byte and has maximum value of 4 bytes. It is mainly decided by the data width of a DMA master. 00 Byte transfer/1 byte 01 Half-word transfer/2 bytes 10 Word transfer/4 bytes 11 Reserved

83010218 DMA2 START DMA CR4 Channel 2 Start Register 00000000

Bit	31	30	29	28	27	26	25	24	23	22	21	20	19	18	17	16
Name																
Type																
Reset																
Bit	15	14	13	12	11	10	9	8	7	6	5	4	3	2	1	0
Name	STR															
Type	RW															
Reset	0															

Bit(s)	Name	Description
15	STR	Start control for a DMA channel. 0 The DMA channel is stopped. 1 The DMA channel is started and running.

8301021C DMA2 INTSTA DMA CR4 Channel 2 Interrupt Status Register 00000000

Bit	31	30	29	28	27	26	25	24	23	22	21	20	19	18	17	16
Name																TOINT
Type																RO
Reset																0
Bit	15	14	13	12	11	10	9	8	7	6	5	4	3	2	1	0
Name	INT															
Type	RO															
Reset	0															

Bit(s)	Name	Description
16	TOINT	Timeout Interrupt Status for DMA Channel 0 No interrupt request is generated. 1 One interrupt request is pending and waiting for service.
15	INT	No effect on channel 1~11 (Full and Half-size). Interrupt Status for DMA Channel 0 No interrupt request is generated. 1 One interrupt request is pending and waiting for service.

83010220 DMA2 ACKINT DMA CR4 Channel 2 Interrupt Acknowledge Register 00000000

Bit	31	30	29	28	27	26	25	24	23	22	21	20	19	18	17	16
Name																TOACK
Type																WO
Reset																0
Bit	15	14	13	12	11	10	9	8	7	6	5	4	3	2	1	0
Name	ACK															
Type	WO															
Reset	0															

Bit(s)	Name	Description
16	TOACK	TOACK Timeout Interrupt acknowledge for the DMA channel 0 No effect 1 Interrupt request is acknowledged and should be relinquished.
15	ACK	No effect on channel 1~11 (Full and Half-size). ACK Interrupt acknowledge for the DMA channel 0 No effect 1 Interrupt request is acknowledged and should be relinquished.

83010224 DMA2 RLCT DMA CR4 Channel 2 Remaining 00000000

Length of Current Transfer

Bit	31	30	29	28	27	26	25	24	23	22	21	20	19	18	17	16
Name																
Type																
Reset																
Bit	15	14	13	12	11	10	9	8	7	6	5	4	3	2	1	0
Name	RLCT															
Type	RO															
Reset	0	0	0	0	0	0	0	0	0	0	0	0	0	0	0	0

Bit(s)	Name	Description
15:0	RLCT	This register is to reflect the left amount of the transfer.

83010228 DMA2 LIMITER DMA CR4 Channel 2 Bandwidth Limiter Register 00000000

Bit	31	30	29	28	27	26	25	24	23	22	21	20	19	18	17	16		
Name																		
Type																		
Reset																		
Bit	15	14	13	12	11	10	9	8	7	6	5	4	3	2	1	0		
Name									LIMITER									
Type									RW									
Reset									0	0	0	0	0	0	0	0		

Bit(s)	Name	Description
7:0	LIMITER	from 0 to 255. 0 means no limitation, 255 means totally banned, and others mean Bus access permission every (4 X n) AHB clock

83010308 DMA3 WPPT DMA CR4 Channel 3 Wrap Point Address Register 00000000

Bit	31	30	29	28	27	26	25	24	23	22	21	20	19	18	17	16
Name																
Type																
Reset																
Bit	15	14	13	12	11	10	9	8	7	6	5	4	3	2	1	0
Name	WPPT															

Type	RW															
Reset	0	0	0	0	0	0	0	0	0	0	0	0	0	0	0	0

Bit(s)	Name	Description
15:0	WPPT	WPPT[15:0] specifies the amount of the transfer count from start to jumping point for a DMA channel. WRITE :Address of the jump point. READ :Value set by the programmer.

8301030C DMA3 WPTO **DMA CR4 Channel 3 Wrap To Address Register** **00000000**

Bit	31	30	29	28	27	26	25	24	23	22	21	20	19	18	17	16
Name	WPTO															
Type	RW															
Reset	0	0	0	0	0	0	0	0	0	0	0	0	0	0	0	0
Bit	15	14	13	12	11	10	9	8	7	6	5	4	3	2	1	0
Name	WPTO															
Type	RW															
Reset	0	0	0	0	0	0	0	0	0	0	0	0	0	0	0	0

Bit(s)	Name	Description
31:0	WPTO	WPTO[31:0] specifies the address of the jump point for a DMA channel, i.e. channel. WRITE :Address of the jump destination. READ :Value set by the programmer.

83010310 DMA3 COUNT **DMA CR4 Channel 3 Transfer Count Register** **00000000**

Bit	31	30	29	28	27	26	25	24	23	22	21	20	19	18	17	16
Name	LEN															
Type	RW															
Reset	0	0	0	0	0	0	0	0	0	0	0	0	0	0	0	0
Bit	15	14	13	12	11	10	9	8	7	6	5	4	3	2	1	0
Name	LEN															
Type	RW															
Reset	0	0	0	0	0	0	0	0	0	0	0	0	0	0	0	0

Bit(s)	Name	Description
15:0	LEN	The amount of total transfer count This register specifies the amount of total transfer count that the

Bit(s)	Name	Description
		DMA channel is required to perform. Upon completion, the DMA channel generates an interrupt request to the processor while ITEN in DMA _n _CON is set as '1'. Note that the total size of data being transferred by a DMA channel is determined by LEN together with the SIZE in DMA _n _CON, i.e. LEN x SIZE.

83010314 DMA3_CON DMA CR4 Channel 3 Control Register 03F00000

Bit	31	30	29	28	27	26	25	24	23	22	21	20	19	18	17	16
Name							MAS							DI R	WP EN	WP SD
Type							RW							RW	RW	RW
Reset							1	1	1	1	1	1		0	0	0
Bit	15	14	13	12	11	10	9	8	7	6	5	4	3	2	1	0
Name	ITEN	TOEN					BURST					B2W	DREQ	DI NC	SIN C	SIZE
Type	RW	RW					RW					RW	RW	RW	RW	RW
Reset	0	0				0	0	0			0	0	0	0	0	0

Bit(s)	Name	Description																																																																														
25:20	MAS	<p>Master selection. Specifies which master occupies this DMA channel. Once assigned to certain master, the corresponding DREQ and DACK are connected. For half-size and Virtual FIFO DMA channels, i.e. channels 3 ~ 25, a predefined address is assigned as well.</p> <table border="0"> <tr> <td>Value</td> <td>Selected Master</td> <td>SADDR</td> </tr> <tr> <td>6'd0</td> <td>: Don't Use</td> <td></td> </tr> <tr> <td>6'd1</td> <td>: Don't Use</td> <td></td> </tr> <tr> <td>6'd2</td> <td>: I2C-0 (HALF) TX</td> <td>0x83090000</td> </tr> <tr> <td>6'd3</td> <td>: I2C-0 (HALF) RX</td> <td>0x83090000</td> </tr> <tr> <td>6'd4</td> <td>: I2C-1 (HALF) TX</td> <td>0x830A0000</td> </tr> <tr> <td>6'd5</td> <td>: I2C-1 (HALF) RX</td> <td>0x830A0000</td> </tr> <tr> <td>6'd6</td> <td>: I2S/Audio (VFF) TX</td> <td>0x22000000</td> </tr> <tr> <td>6'd7</td> <td>: I2S/Audio (VFF) RX</td> <td>0x22000000</td> </tr> <tr> <td>6'd8</td> <td>: UART0(VFF) TX</td> <td>0x83030000</td> </tr> <tr> <td>6'd9</td> <td>: UART0(VFF) RX</td> <td>0x83030000</td> </tr> <tr> <td>6'd10</td> <td>: UART1(VFF) TX</td> <td>0x83040000</td> </tr> <tr> <td>6'd11</td> <td>: UART1(VFF) RX</td> <td>0x83040000</td> </tr> <tr> <td>6'd12</td> <td>: BTIF(VFF) TX</td> <td>0x830E0000</td> </tr> <tr> <td>6'd13</td> <td>: BTIF(VFF) RX</td> <td>0x830E0000</td> </tr> <tr> <td>6'd14</td> <td>: HIF(USB EP2I HALF) Tx</td> <td>0x50310000</td> </tr> <tr> <td>6'd15</td> <td>: HIF(USB EP2O VFF) Rx</td> <td>0x50310004</td> </tr> <tr> <td>6'd16</td> <td>: HIF(USB EP3I VFF) Tx</td> <td>0x50310008</td> </tr> <tr> <td>6'd17</td> <td>: HIF(USB EP3O VFF) Rx</td> <td>0x5031000C</td> </tr> <tr> <td>6'd18</td> <td>: HIF(USB EP4I VFF) Tx</td> <td>0x50310010</td> </tr> <tr> <td>6'd19</td> <td>: HIF(USB EP4O HALF) Rx</td> <td>0x50310014</td> </tr> <tr> <td>6'd20</td> <td>: ADC(VFF) RX</td> <td>0x830D0000</td> </tr> <tr> <td>6'd21</td> <td>: WIFI HIF(HALF) TRX</td> <td>0x50201000</td> </tr> <tr> <td>6'd22</td> <td>: not used</td> <td>0x830B0000</td> </tr> <tr> <td>6'd23</td> <td>: not used</td> <td>0x830B0000</td> </tr> <tr> <td>6'd24~37</td> <td>: VFF Data Port</td> <td>0x79000m00</td> </tr> </table>	Value	Selected Master	SADDR	6'd0	: Don't Use		6'd1	: Don't Use		6'd2	: I2C-0 (HALF) TX	0x83090000	6'd3	: I2C-0 (HALF) RX	0x83090000	6'd4	: I2C-1 (HALF) TX	0x830A0000	6'd5	: I2C-1 (HALF) RX	0x830A0000	6'd6	: I2S/Audio (VFF) TX	0x22000000	6'd7	: I2S/Audio (VFF) RX	0x22000000	6'd8	: UART0(VFF) TX	0x83030000	6'd9	: UART0(VFF) RX	0x83030000	6'd10	: UART1(VFF) TX	0x83040000	6'd11	: UART1(VFF) RX	0x83040000	6'd12	: BTIF(VFF) TX	0x830E0000	6'd13	: BTIF(VFF) RX	0x830E0000	6'd14	: HIF(USB EP2I HALF) Tx	0x50310000	6'd15	: HIF(USB EP2O VFF) Rx	0x50310004	6'd16	: HIF(USB EP3I VFF) Tx	0x50310008	6'd17	: HIF(USB EP3O VFF) Rx	0x5031000C	6'd18	: HIF(USB EP4I VFF) Tx	0x50310010	6'd19	: HIF(USB EP4O HALF) Rx	0x50310014	6'd20	: ADC(VFF) RX	0x830D0000	6'd21	: WIFI HIF(HALF) TRX	0x50201000	6'd22	: not used	0x830B0000	6'd23	: not used	0x830B0000	6'd24~37	: VFF Data Port	0x79000m00
Value	Selected Master	SADDR																																																																														
6'd0	: Don't Use																																																																															
6'd1	: Don't Use																																																																															
6'd2	: I2C-0 (HALF) TX	0x83090000																																																																														
6'd3	: I2C-0 (HALF) RX	0x83090000																																																																														
6'd4	: I2C-1 (HALF) TX	0x830A0000																																																																														
6'd5	: I2C-1 (HALF) RX	0x830A0000																																																																														
6'd6	: I2S/Audio (VFF) TX	0x22000000																																																																														
6'd7	: I2S/Audio (VFF) RX	0x22000000																																																																														
6'd8	: UART0(VFF) TX	0x83030000																																																																														
6'd9	: UART0(VFF) RX	0x83030000																																																																														
6'd10	: UART1(VFF) TX	0x83040000																																																																														
6'd11	: UART1(VFF) RX	0x83040000																																																																														
6'd12	: BTIF(VFF) TX	0x830E0000																																																																														
6'd13	: BTIF(VFF) RX	0x830E0000																																																																														
6'd14	: HIF(USB EP2I HALF) Tx	0x50310000																																																																														
6'd15	: HIF(USB EP2O VFF) Rx	0x50310004																																																																														
6'd16	: HIF(USB EP3I VFF) Tx	0x50310008																																																																														
6'd17	: HIF(USB EP3O VFF) Rx	0x5031000C																																																																														
6'd18	: HIF(USB EP4I VFF) Tx	0x50310010																																																																														
6'd19	: HIF(USB EP4O HALF) Rx	0x50310014																																																																														
6'd20	: ADC(VFF) RX	0x830D0000																																																																														
6'd21	: WIFI HIF(HALF) TRX	0x50201000																																																																														
6'd22	: not used	0x830B0000																																																																														
6'd23	: not used	0x830B0000																																																																														
6'd24~37	: VFF Data Port	0x79000m00																																																																														

Bit(s)	Name	Description
		*m is N-12 other: reserved default :6'h3f SPI-M use full size channel If you use dma moving data from memory to memory (ex :full-size dma) , please select default value asyour master setting
18	DIR	Directions of DMA transfer for half-size and Virtual FIFO DMA channels, i.e. channels 3~25. The direction is from the perspective of the DMA masters. WRITE means read from master device and then write to the address specified in DMA_PGMADDR, and vice versa. 0 Read (read from system RAM and write to device) 1 Write (read from device and write to system RAM)
17	WPEN	Address-wrapping for ring buffer. The next address of DMA jumps to WRAP TO address when the current address matches WRAP POINT count. 0 Disable 1 Enable
16	WPSD	No effect on channel 12~25 (Virtual FIFO). The side using address-wrapping function. Only one side of a DMA channel can activate address-wrapping function at a time. 0 Address-wrapping on source . 1 Address-wrapping on destination.
15	ITEN	No effect on channel 12~25 (Virtual FIFO). DMA transfer completion interrupt enable. 0 Disable 1 Enable
14	TOEN	DMA transfer timeout interrupt enable. 0 Disable 1 Enable
10:8	BURST	No effect on channel 1~11 (Full and Half-size). Transfer Type. Burst-type transfers have better bus efficiency. Mass data movement is recommended to use this kind of transfer. However, note that burst-type transfer does not stop until all of the beats in a burst are completed or transfer length is reached. FIFO threshold of peripherals must be configured carefully while being used to move data from/to the peripherals. What transfer type can be used is restricted by the SIZE. If SIZE is 00b, i.e. byte transfer, all of the four transfer types can be used. If SIZE is 01b, i.e. half-word transfer, 16-beat incrementing burst cannot be used. If SIZE is 10b, i.e. word transfer, only single and 4-beat incrementing burst can be used. 000 Single 001 Reserved 010 4-beat incrementing burst 011 Reserved 100 8-beat incrementing burst 101 Reserved 110 16-beat incrementing burst 111 Reserved
5	B2W	Word to Byte or Byte to Word transfer for the applications of transferring non-word-aligned-address data to word-aligned-address data. Note that BURST is set to 4-beat burst while enabling this function, and the SIZE is set to Byte. NO effect on channel 1 , 2, 12-25

Bit(s)	Name	Description
4	DREQ	<p>0 Disable 1 Enable</p> <p>Throttle and handshake control for DMA transfer</p> <p>0 No throttle control during DMA transfer or transfers occurred only between memories 1 Hardware handshake management</p> <p>The DMA master is able to throttle down the transfer rate by way of request-grant handshake.</p> <p>MAS Selected Master suggest DREQ setting</p> <p>6'd2 : I2C-0 (HALF) TX 1 6'd3 : I2C-0 (HALF) RX 1 6'd4 : I2C-1 (HALF) TX 1 6'd5 : I2C-1 (HALF) RX 1 6'd14 : HIF(USB EP2I HALF) Tx 1 6'd19 : HIF(USB EP4O HALF) Rx 1 6'd21 : WIFI HIF(HALF) TRX 0</p>
3	DINC	<p>Incremental destination address. Destination addresses increase every transfer. If the setting of SIZE is Byte, Destination addresses increase by 1 every single transfer. If Half-Word, increase by 2; and if Word, increase by 4.</p> <p>0 Disable 1 Enable</p> <p>No effect on channel 12~25 (Virtual FIFO). Destination address is the master fixed address for read(TX) or the Virtual FIFO write pointer for write(RX)</p>
2	SINC	<p>Incremental source address. Source addresses increase every transfer. If the setting of SIZE is Byte, Source addresses increase by 1 every single transfer. If Half-Word, increase by 2; and if Word, increase by 4.</p> <p>0 Disable 1 Enable</p> <p>No effect on channel 12~25 (Virtual FIFO). Source address is the Virtual FIFO read pointer for read(TX) or the master fixed address for write(RX).</p>
1:0	SIZE	<p>Data size within the confine of a bus cycle per transfer. These bits confines the data transfer size between source and destination to the</p> <p>specified value for individual bus cycle. The size is in terms of byte and has maximum value of 4 bytes. It is mainly decided by the data width of a DMA master.</p> <p>00 Byte transfer/1 byte 01 Half-word transfer/2 bytes 10 Word transfer/4 bytes 11 Reserved</p>

83010318 DMA3 START DMA CR4 Channel 3 Start Register 00000000

Bit	31	30	29	28	27	26	25	24	23	22	21	20	19	18	17	16
Name																
Type																
Reset																
Bit	15	14	13	12	11	10	9	8	7	6	5	4	3	2	1	0
Name	STR															

Type	RW															
Reset	0															

Bit(s)	Name	Description
15	STR	Start control for a DMA channel. 0 The DMA channel is stopped. 1 The DMA channel is started and running.

8301031C DMA3_INTSTA DMA CR4 Channel 3 Interrupt Status Register 00000000

Bit	31	30	29	28	27	26	25	24	23	22	21	20	19	18	17	16
Name																TOINT
Type																RO
Reset																0
Bit	15	14	13	12	11	10	9	8	7	6	5	4	3	2	1	0
Name	INT															
Type	RO															
Reset	0															

Bit(s)	Name	Description
16	TOINT	Timeout Interrupt Status for DMA Channel 0 No interrupt request is generated. 1 One interrupt request is pending and waiting for service. No effect on channel 1~11 (Full and Half-size).
15	INT	Interrupt Status for DMA Channel 0 No interrupt request is generated. 1 One interrupt request is pending and waiting for service.

83010320 DMA3_ACKINT DMA CR4 Channel 3 Interrupt Acknowledge Register 00000000

Bit	31	30	29	28	27	26	25	24	23	22	21	20	19	18	17	16
Name																TOACK
Type																WO
Reset																0
Bit	15	14	13	12	11	10	9	8	7	6	5	4	3	2	1	0
Name	ACK															
Type	WO															
Reset	0															

Bit(s)	Name	Description
16	TOACK	TOACK Timeout Interrupt acknowledge for the DMA channel 0 No effect 1 Interrupt request is acknowledged and should be relinquished.
15	ACK	ACK Interrupt acknowledge for the DMA channel 0 No effect 1 Interrupt request is acknowledged and should be relinquished.

83010324 DMA3_RLCT DMA CR4 Channel 3 Remaining Length of Current Transfer 00000000

Bit	31	30	29	28	27	26	25	24	23	22	21	20	19	18	17	16
Name																
Type																
Reset																
Bit	15	14	13	12	11	10	9	8	7	6	5	4	3	2	1	0
Name	RLCT															
Type	RO															
Reset	0	0	0	0	0	0	0	0	0	0	0	0	0	0	0	0

Bit(s)	Name	Description
15:0	RLCT	This register is to reflect the left amount of the transfer.

83010328 DMA3_LIMITER DMA CR4 Channel 3 Bandwidth Limiter Register 00000000

Bit	31	30	29	28	27	26	25	24	23	22	21	20	19	18	17	16
Name																
Type																
Reset																
Bit	15	14	13	12	11	10	9	8	7	6	5	4	3	2	1	0
Name									LIMITER							
Type									RW							
Reset									0	0	0	0	0	0	0	0

Bit(s)	Name	Description
7:0	LIMITER	from 0 to 255. 0 means no limitation, 255 means totally banned, and others mean Bus access permission every (4 X n) AHB clock

8301032C DMA3_PGMADDR DMA CR4 Channel 3 Programmable 00000000 Address Register

Bit	31	30	29	28	27	26	25	24	23	22	21	20	19	18	17	16
Name	PGMADDR															
Type	RW															
Reset	0	0	0	0	0	0	0	0	0	0	0	0	0	0	0	0
Bit	15	14	13	12	11	10	9	8	7	6	5	4	3	2	1	0
Name	PGMADDR															
Type	RW															
Reset	0	0	0	0	0	0	0	0	0	0	0	0	0	0	0	0

Bit(s)	Name	Description
31:0	PGMADDR	<p>PGMADDR[31:0] specifies the addresses for a half-size DMA channel or virtual FIFO</p> <p>WRITE : address of the source/destination. READ : current address of the transfer.</p> <p>This address represents a source address if DIR in DMA_CON is set to 0, and represents a destination address if DIR in DMA_CON is set to 1. Before being able to program these register, the software should make sure that STR in DMAn_START is set to '0', that is the DMA channel is stopped and disabled completely. Otherwise, the DMA channel may run out of order.</p>

83010408 DMA4_WPPT DMA CR4 Channel 4 Wrap Point 00000000 Address Register

Bit	31	30	29	28	27	26	25	24	23	22	21	20	19	18	17	16
Name																
Type																
Reset																
Bit	15	14	13	12	11	10	9	8	7	6	5	4	3	2	1	0
Name	WPPT															
Type	RW															
Reset	0	0	0	0	0	0	0	0	0	0	0	0	0	0	0	0

Bit(s)	Name	Description
15:0	WPPT	<p>WPPT[15:0] specifies the amount of the transfer count from start to jumping point for a DMA channel.</p> <p>WRITE :Address of the jump point. READ :Value set by the programmer.</p>

8301040C DMA4_WPTO
**DMA CR4 Channel 4 Wrap To
Address Register**
00000000

Bit	31	30	29	28	27	26	25	24	23	22	21	20	19	18	17	16
Name	WPTO															
Type	RW															
Reset	0	0	0	0	0	0	0	0	0	0	0	0	0	0	0	0
Bit	15	14	13	12	11	10	9	8	7	6	5	4	3	2	1	0
Name	WPTO															
Type	RW															
Reset	0	0	0	0	0	0	0	0	0	0	0	0	0	0	0	0

Bit(s)	Name	Description
31:0	WPTO	WPTO[31:0] specifies the address of the jump point for a DMA channel, i.e. channel. WRITE :Address of the jump destination. READ :Value set by the programmer.

83010410 DMA4_COUNT
**DMA CR4 Channel 4 Transfer
Count Register**
00000000

Bit	31	30	29	28	27	26	25	24	23	22	21	20	19	18	17	16
Name																
Type																
Reset																
Bit	15	14	13	12	11	10	9	8	7	6	5	4	3	2	1	0
Name	LEN															
Type	RW															
Reset	0	0	0	0	0	0	0	0	0	0	0	0	0	0	0	0

Bit(s)	Name	Description
15:0	LEN	The amount of total transfer count This register specifies the amount of total transfer count that the DMA channel is required to perform. Upon completion, the DMA channel generates an interrupt request to the processor while ITEN in DMA _n _CON is set as '1'. Note that the total size of data being transferred by a DMA channel is determined by LEN together with the SIZE in DMA _n _CON, i.e. LEN x SIZE.

83010414 DMA4_CON
**DMA CR4 Channel 4 Control
Register**
03F00000

Bit	31	30	29	28	27	26	25	24	23	22	21	20	19	18	17	16
------------	----	----	----	----	----	----	----	----	----	----	----	----	----	----	----	----

Name															DI R	WP EN	WP SD
Type															RW	RW	RW
Reset							1	1	1	1	1	1			0	0	0
Bit	15	14	13	12	11	10	9	8	7	6	5	4	3	2	1	0	
Name	ITEN	TOEN					BURST						B2W	DREQ	DINC	SINC	SIZE
Type	RW	RW					RW						RW	RW	RW	RW	RW
Reset	0	0				0	0	0			0	0	0	0	0	0	

Bit(s)	Name	Description
25:20	MAS	<p>Master selection. Specifies which master occupies this DMA channel. Once assigned to certain master, the corresponding DREQ and DACK are connected. For half-size and Virtual FIFO DMA channels, i.e. channels 3 ~ 25, a predefined address is assigned as well.</p> <p>Value Selected Master SADDR</p> <p>6'd0 : Don't Use</p> <p>6'd1 : Don't Use</p> <p>6'd2 : I2C-0(HALF) TX 0x83090000</p> <p>6'd3 : I2C-0 (HALF) RX 0x83090000</p> <p>6'd4 : I2C-1 (HALF) TX 0x830A0000</p> <p>6'd5 : I2C-1 (HALF) RX 0x830A0000</p> <p>6'd6 : I2S/Audio (VFF) TX 0x22000000</p> <p>6'd7 : I2S/Audio (VFF) RX 0x22000000</p> <p>6'd8 : UART0(VFF) TX 0x83030000</p> <p>6'd9 : UART0(VFF) RX 0x83030000</p> <p>6'd10 : UART1(VFF) TX 0x83040000</p> <p>6'd11 : UART1(VFF) RX 0x83040000</p> <p>6'd12 : BTIF(VFF) TX 0x830E0000</p> <p>6'd13 : BTIF(VFF) RX 0x830E0000</p> <p>6'd14 : HIF(USB EP2I HALF) Tx 0x50310000</p> <p>6'd15 : HIF(USB EP2O VFF) Rx 0x50310004</p> <p>6'd16 : HIF(USB EP3I VFF) Tx 0x50310008</p> <p>6'd17 : HIF(USB EP3O VFF) Rx 0x5031000C</p> <p>6'd18 : HIF(USB EP4I VFF) Tx 0x50310010</p> <p>6'd19 : HIF(USB EP4O HALF) Rx 0x50310014</p> <p>6'd20 : ADC(VFF) RX 0x830D0000</p> <p>6'd21 : WIFI HIF(HALF) TRX 0x50201000</p> <p>6'd22 : not used 0x830B0000</p> <p>6'd23 : not used 0x830B0000</p> <p>6'd24~37 : VFF Data Port 0x79000m00</p> <p>*m is N-12</p> <p>other: reserved</p> <p>default :6'h3f</p> <p>SPI-M use full size channel</p> <p>If you use dma moving data from memory to memory (ex :full-size dma) , please select default value as your master setting</p> <p>Directions of DMA transfer for half-size and Virtual FIFO DMA channels, i.e. channels 3~25. The direction is from the perspective of the DMA masters. WRITE means read from master device and then write to the address specified in DMA_PGMADDR, and vice versa.</p> <p>0 Read (read from system RAM and write to device)</p> <p>1 Write (read from device and write to system RAM)</p> <p>Address-wrapping for ring buffer. The next address of</p>
18	DIR	
17	WPEN	

Bit(s)	Name	Description
16	WPSD	<p>DMA jumps to WRAP TO address when the current address matches WRAP POINT count. 0 Disable 1 Enable No effect on channel 12~25 (Virtual FIFO). The side using address-wrapping function. Only one side of a DMA channel can activate address-wrapping function at a time. 0 Address-wrapping on source . 1 Address-wrapping on destination.</p>
15	ITEN	<p>No effect on channel 12~25 (Virtual FIFO). DMA transfer completion interrupt enable. 0 Disable 1 Enable</p>
14	TOEN	<p>DMA transfer timeout interrupt enable. 0 Disable 1 Enable</p>
10:8	BURST	<p>No effect on channel 1~11 (Full and Half-size). Transfer Type. Burst-type transfers have better bus efficiency. Mass data movement is recommended to use this kind of transfer. However, note that burst-type transfer does not stop until all of the beats in a burst are completed or transfer length is reached. FIFO threshold of peripherals must be configured carefully while being used to move data from/to the peripherals. What transfer type can be used is restricted by the SIZE. If SIZE is 00b, i.e. byte transfer, all of the four transfer types can be used. If SIZE is 01b, i.e. half-word transfer, 16-beat incrementing burst cannot be used. If SIZE is 10b, i.e. word transfer, only single and 4-beat incrementing burst can be used. 000 Single 001 Reserved 010 4-beat incrementing burst 011 Reserved 100 8-beat incrementing burst 101 Reserved 110 16-beat incrementing burst 111 Reserved</p>
5	B2W	<p>Word to Byte or Byte to Word transfer for the applications of transferring non-word-aligned-address data to word-aligned-address data. Note that BURST is set to 4-beat burst while enabling this function, and the SIZE is set to Byte. NO effect on channel 1 , 2, 12-25 0 Disable 1 Enable</p>
4	DREQ	<p>Throttle and handshake control for DMA transfer 0 No throttle control during DMA transfer or transfers occurred only between memories 1 Hardware handshake management The DMA master is able to throttle down the transfer rate by way of request-grant handshake. MAS Selected Master suggest DREQ setting 6'd2 : I2C-0 (HALF) TX 1 6'd3 : I2C-0 (HALF) RX 1 6'd4 : I2C-1 (HALF) TX 1 6'd5 : I2C-1 (HALF) RX 1 6'd14 : HIF(USB EP2I HALF) Tx 1</p>

Bit(s)	Name	Description
3	DINC	6'd19 : HIF(USB EP4O HALF) Rx 1 6'd21 : WIFI HIF(HALF) TRX 0 Incremental destination address. Destination addresses increase every transfer. If the setting of SIZE is Byte, Destination addresses increase by 1 every single transfer. If Half-Word, increase by 2; and if Word, increase by 4. 0 Disable 1 Enable No effect on channel 12~25 (Virtual FIFO). Destination address is the master fixed address for read(TX) or the Virtual FIFO write pointer for write(RX)
2	SINC	Incremental source address. Source addresses increase every transfer. If the setting of SIZE is Byte, Source addresses increase by 1 every single transfer. If Half-Word, increase by 2; and if Word, increase by 4. 0 Disable 1 Enable No effect on channel 12~25 (Virtual FIFO). Source address is the Virtual FIFO read pointer for read(TX) or the master fixed address for write(RX).
1:0	SIZE	Data size within the confine of a bus cycle per transfer. These bits confines the data transfer size between source and destination to the specified value for individual bus cycle. The size is in terms of byte and has maximum value of 4 bytes. It is mainly decided by the data width of a DMA master. 00 Byte transfer/1 byte 01 Half-word transfer/2 bytes 10 Word transfer/4 bytes 11 Reserved

83010418 DMA4 START DMA CR4 Channel 4 Start Register 00000000

Bit	31	30	29	28	27	26	25	24	23	22	21	20	19	18	17	16
Name																
Type																
Reset																
Bit	15	14	13	12	11	10	9	8	7	6	5	4	3	2	1	0
Name	STR															
Type	RW															
Reset	0															

Bit(s)	Name	Description
15	STR	Start control for a DMA channel. 0 The DMA channel is stopped. 1 The DMA channel is started and running.

8301041C DMA4_INTSTA
DMA CR4 Channel 4 Interrupt Status Register
00000000

Bit	31	30	29	28	27	26	25	24	23	22	21	20	19	18	17	16
Name																TOINT
Type																RO
Reset																0
Bit	15	14	13	12	11	10	9	8	7	6	5	4	3	2	1	0
Name	INT															
Type	RO															
Reset	0															

Bit(s)	Name	Description
16	TOINT	Timeout Interrupt Status for DMA Channel 0 No interrupt request is generated. 1 One interrupt request is pending and waiting for service. No effect on channel 1~11 (Full and Half-size).
15	INT	Interrupt Status for DMA Channel 0 No interrupt request is generated. 1 One interrupt request is pending and waiting for service.

83010420 DMA4_ACKINT
DMA CR4 Channel 4 Interrupt Acknowledge Register
00000000

Bit	31	30	29	28	27	26	25	24	23	22	21	20	19	18	17	16
Name																TOACK
Type																WO
Reset																0
Bit	15	14	13	12	11	10	9	8	7	6	5	4	3	2	1	0
Name	ACK															
Type	WO															
Reset	0															

Bit(s)	Name	Description
16	TOACK	TOACK Timeout Interrupt acknowledge for the DMA channel 0 No effect 1 Interrupt request is acknowledged and should be relinquished. No effect on channel 1~11 (Full and Half-size).
15	ACK	ACK Interrupt acknowledge for the DMA channel 0 No effect 1 Interrupt request is acknowledged and should be relinquished.

83010424 DMA4 RLCT DMA CR4 Channel 4 Remaining Length of Current Transfer 00000000

Bit	31	30	29	28	27	26	25	24	23	22	21	20	19	18	17	16
Name																
Type																
Reset																
Bit	15	14	13	12	11	10	9	8	7	6	5	4	3	2	1	0
Name	RLCT															
Type	RO															
Reset	0	0	0	0	0	0	0	0	0	0	0	0	0	0	0	0

Bit(s)	Name	Description
15:0	RLCT	This register is to reflect the left amount of the transfer.

83010428 DMA4 LIMITER DMA CR4 Channel 4 Bandwidth Limiter Register 00000000

Bit	31	30	29	28	27	26	25	24	23	22	21	20	19	18	17	16
Name																
Type																
Reset																
Bit	15	14	13	12	11	10	9	8	7	6	5	4	3	2	1	0
Name									LIMITER							
Type									RW							
Reset									0	0	0	0	0	0	0	0

Bit(s)	Name	Description
7:0	LIMITER	from 0 to 255. 0 means no limitation, 255 means totally banned, and others mean Bus access permission every (4 X n) AHB clock

8301042C DMA4 PGMADDR DMA CR4 Channel 4 Programmable Address Register 00000000

Bit	31	30	29	28	27	26	25	24	23	22	21	20	19	18	17	16
Name	PGMADDR															
Type	RW															
Reset	0	0	0	0	0	0	0	0	0	0	0	0	0	0	0	0
Bit	15	14	13	12	11	10	9	8	7	6	5	4	3	2	1	0
Name	PGMADDR															

e																
Type	RW															
Reset	0	0	0	0	0	0	0	0	0	0	0	0	0	0	0	0

Bit(s)	Name	Description
31:0	PGMADDR	PGMADDR[31:0] specifies the addresses for a half-size DMA channel or virtual FIFO WRITE : address of the source/destination. READ : current address of the transfer. This address represents a source address if DIR in DMA_CON is set to 0, and represents a destination address if DIR in DMA_CON is set to 1. Before being able to program these register, the software should make sure that STR in DMA _n _START is set to '0', that is the DMA channel is stopped and disabled completely. Otherwise, the DMA channel may run out of order.

83010508 DMA5 WPPT DMA CR4 Channel 5 Wrap Point Address Register 00000000

Bit	31	30	29	28	27	26	25	24	23	22	21	20	19	18	17	16
Name																
Type																
Reset																
Bit	15	14	13	12	11	10	9	8	7	6	5	4	3	2	1	0
Name	WPPT															
Type	RW															
Reset	0	0	0	0	0	0	0	0	0	0	0	0	0	0	0	0

Bit(s)	Name	Description
15:0	WPPT	WPPT[15:0] specifies the amount of the transfer count from start to jumping point for a DMA channel. WRITE :Address of the jump point. READ :Value set by the programmer.

8301050C DMA5 WPTO DMA CR4 Channel 5 Wrap To Address Register 00000000

Bit	31	30	29	28	27	26	25	24	23	22	21	20	19	18	17	16
Name	WPTO															
Type	RW															
Reset	0	0	0	0	0	0	0	0	0	0	0	0	0	0	0	0
Bit	15	14	13	12	11	10	9	8	7	6	5	4	3	2	1	0
Name	WPTO															

Type	RW															
Reset	0	0	0	0	0	0	0	0	0	0	0	0	0	0	0	0

Bit(s)	Name	Description
31:0	WPTO	WPTO[31:0] specifies the address of the jump point for a DMA channel, i.e. channel. WRITE :Address of the jump destination. READ :Value set by the programmer.

83010510 DMA5_COUNT DMA CR4 Channel 5 Transfer Count Register 00000000

Bit	31	30	29	28	27	26	25	24	23	22	21	20	19	18	17	16
Name																
Type																
Reset																
Bit	15	14	13	12	11	10	9	8	7	6	5	4	3	2	1	0
Name	LEN															
Type	RW															
Reset	0	0	0	0	0	0	0	0	0	0	0	0	0	0	0	0

Bit(s)	Name	Description
15:0	LEN	The amount of total transfer count This register specifies the amount of total transfer count that the DMA channel is required to perform. Upon completion, the DMA channel generates an interrupt request to the processor while ITEN in DMA _n _CON is set as '1'. Note that the total size of data being transferred by a DMA channel is determined by LEN together with the SIZE in DMA _n _CON, i.e. LEN x SIZE.

83010514 DMA5_CON DMA CR4 Channel 5 Control Register 03F00000

Bit	31	30	29	28	27	26	25	24	23	22	21	20	19	18	17	16	
Name							MAS							DI R	WP EN	WP SD	
Type							RW							RW	RW	RW	
Reset							1	1	1	1	1	1		0	0	0	
Bit	15	14	13	12	11	10	9	8	7	6	5	4	3	2	1	0	
Name	ITEN	TOEN					BURST						B2W	DR EQ	DI NC	SIN C	SIZE
Type	RW	RW					RW						RW	RW	RW	RW	RW
Reset	0	0				0	0	0			0	0	0	0	0	0	

Bit(s)	Name	Description																																																																														
25:20	MAS	<p>Master selection. Specifies which master occupies this DMA channel. Once assigned to certain master, the corresponding DREQ and DACK are connected. For half-size and Virtual FIFO DMA channels, i.e. channels 3 ~ 25, a predefined address is assigned as well.</p> <table border="1"> <thead> <tr> <th>Value</th> <th>Selected Master</th> <th>SADDR</th> </tr> </thead> <tbody> <tr> <td>6'd0</td> <td>: Don't Use</td> <td></td> </tr> <tr> <td>6'd1</td> <td>: Don't Use</td> <td></td> </tr> <tr> <td>6'd2</td> <td>: I2C-0 (HALF) TX</td> <td>0x83090000</td> </tr> <tr> <td>6'd3</td> <td>: I2C-0 (HALF) RX</td> <td>0x83090000</td> </tr> <tr> <td>6'd4</td> <td>: I2C-1 (HALF) TX</td> <td>0x830A0000</td> </tr> <tr> <td>6'd5</td> <td>: I2C-1 (HALF) RX</td> <td>0x830A0000</td> </tr> <tr> <td>6'd6</td> <td>: I2S/Audio (VFF) TX</td> <td>0x22000000</td> </tr> <tr> <td>6'd7</td> <td>: I2S/Audio (VFF) RX</td> <td>0x22000000</td> </tr> <tr> <td>6'd8</td> <td>: UART0(VFF) TX</td> <td>0x83030000</td> </tr> <tr> <td>6'd9</td> <td>: UART0(VFF) RX</td> <td>0x83030000</td> </tr> <tr> <td>6'd10</td> <td>: UART1(VFF) TX</td> <td>0x83040000</td> </tr> <tr> <td>6'd11</td> <td>: UART1(VFF) RX</td> <td>0x83040000</td> </tr> <tr> <td>6'd12</td> <td>: BTIF(VFF) TX</td> <td>0x830E0000</td> </tr> <tr> <td>6'd13</td> <td>: BTIF(VFF) RX</td> <td>0x830E0000</td> </tr> <tr> <td>6'd14</td> <td>: HIF(USB EP2I HALF) Tx</td> <td>0x50310000</td> </tr> <tr> <td>6'd15</td> <td>: HIF(USB EP2O VFF) Rx</td> <td>0x50310004</td> </tr> <tr> <td>6'd16</td> <td>: HIF(USB EP3I VFF) Tx</td> <td>0x50310008</td> </tr> <tr> <td>6'd17</td> <td>: HIF(USB EP3O VFF) Rx</td> <td>0x5031000C</td> </tr> <tr> <td>6'd18</td> <td>: HIF(USB EP4I VFF) Tx</td> <td>0x50310010</td> </tr> <tr> <td>6'd19</td> <td>: HIF(USB EP4O HALF) Rx</td> <td>0x50310014</td> </tr> <tr> <td>6'd20</td> <td>: ADC(VFF) RX</td> <td>0x830D0000</td> </tr> <tr> <td>6'd21</td> <td>: WIFI HIF(HALF) TRX</td> <td>0x50201000</td> </tr> <tr> <td>6'd22</td> <td>: not used</td> <td>0x830B0000</td> </tr> <tr> <td>6'd23</td> <td>: not used</td> <td>0x830B0000</td> </tr> <tr> <td>6'd24~37</td> <td>: VFF Data Port</td> <td>0x79000m00</td> </tr> </tbody> </table> <p>*m is N-12 other: reserved default :6'h3f SPI-M use full size channel If you use dma moving data from memory to memory (ex :full-size dma) , please select default value asyour master setting</p>	Value	Selected Master	SADDR	6'd0	: Don't Use		6'd1	: Don't Use		6'd2	: I2C-0 (HALF) TX	0x83090000	6'd3	: I2C-0 (HALF) RX	0x83090000	6'd4	: I2C-1 (HALF) TX	0x830A0000	6'd5	: I2C-1 (HALF) RX	0x830A0000	6'd6	: I2S/Audio (VFF) TX	0x22000000	6'd7	: I2S/Audio (VFF) RX	0x22000000	6'd8	: UART0(VFF) TX	0x83030000	6'd9	: UART0(VFF) RX	0x83030000	6'd10	: UART1(VFF) TX	0x83040000	6'd11	: UART1(VFF) RX	0x83040000	6'd12	: BTIF(VFF) TX	0x830E0000	6'd13	: BTIF(VFF) RX	0x830E0000	6'd14	: HIF(USB EP2I HALF) Tx	0x50310000	6'd15	: HIF(USB EP2O VFF) Rx	0x50310004	6'd16	: HIF(USB EP3I VFF) Tx	0x50310008	6'd17	: HIF(USB EP3O VFF) Rx	0x5031000C	6'd18	: HIF(USB EP4I VFF) Tx	0x50310010	6'd19	: HIF(USB EP4O HALF) Rx	0x50310014	6'd20	: ADC(VFF) RX	0x830D0000	6'd21	: WIFI HIF(HALF) TRX	0x50201000	6'd22	: not used	0x830B0000	6'd23	: not used	0x830B0000	6'd24~37	: VFF Data Port	0x79000m00
Value	Selected Master	SADDR																																																																														
6'd0	: Don't Use																																																																															
6'd1	: Don't Use																																																																															
6'd2	: I2C-0 (HALF) TX	0x83090000																																																																														
6'd3	: I2C-0 (HALF) RX	0x83090000																																																																														
6'd4	: I2C-1 (HALF) TX	0x830A0000																																																																														
6'd5	: I2C-1 (HALF) RX	0x830A0000																																																																														
6'd6	: I2S/Audio (VFF) TX	0x22000000																																																																														
6'd7	: I2S/Audio (VFF) RX	0x22000000																																																																														
6'd8	: UART0(VFF) TX	0x83030000																																																																														
6'd9	: UART0(VFF) RX	0x83030000																																																																														
6'd10	: UART1(VFF) TX	0x83040000																																																																														
6'd11	: UART1(VFF) RX	0x83040000																																																																														
6'd12	: BTIF(VFF) TX	0x830E0000																																																																														
6'd13	: BTIF(VFF) RX	0x830E0000																																																																														
6'd14	: HIF(USB EP2I HALF) Tx	0x50310000																																																																														
6'd15	: HIF(USB EP2O VFF) Rx	0x50310004																																																																														
6'd16	: HIF(USB EP3I VFF) Tx	0x50310008																																																																														
6'd17	: HIF(USB EP3O VFF) Rx	0x5031000C																																																																														
6'd18	: HIF(USB EP4I VFF) Tx	0x50310010																																																																														
6'd19	: HIF(USB EP4O HALF) Rx	0x50310014																																																																														
6'd20	: ADC(VFF) RX	0x830D0000																																																																														
6'd21	: WIFI HIF(HALF) TRX	0x50201000																																																																														
6'd22	: not used	0x830B0000																																																																														
6'd23	: not used	0x830B0000																																																																														
6'd24~37	: VFF Data Port	0x79000m00																																																																														
18	DIR	<p>Directions of DMA transfer for half-size and Virtual FIFO DMA channels, i.e. channels 3~25. The direction is from the perspective of the DMA masters. WRITE means read from master device and then write to the address specified in DMA_PGMADDR, and vice versa. 0 Read (read from system RAM and write to device) 1 Write (read from device and write to system RAM)</p>																																																																														
17	WPEN	<p>Address-wrapping for ring buffer. The next address of DMA jumps to WRAP TO address when the current address matches WRAP POINT count. 0 Disable 1 Enable</p>																																																																														
16	WPSD	<p>No effect on channel 12~25 (Virtual FIFO). The side using address-wrapping function. Only one side of a DMA channel can activate address-wrapping function at a time. 0 Address-wrapping on source . 1 Address-wrapping on destination.</p>																																																																														
15	ITEN	<p>No effect on channel 12~25 (Virtual FIFO). DMA transfer completion interrupt enable.</p>																																																																														

Bit(s)	Name	Description																								
14	TOEN	<p>0 Disable 1 Enable</p> <p>DMA transfer timeout interrupt enable.</p> <p>0 Disable 1 Enable</p>																								
10:8	BURST	<p>No effect on channel 1~11 (Full and Half-size).</p> <p>Transfer Type. Burst-type transfers have better bus efficiency. Mass data movement is recommended to use this kind of transfer. However, note that burst-type transfer does not stop until all of the beats in a burst are completed or transfer length is reached. FIFO threshold of peripherals must be configured carefully while being used to move data from/to the peripherals.</p> <p>What transfer type can be used is restricted by the SIZE. If SIZE is 00b, i.e. byte transfer, all of the four transfer types can be used. If SIZE is 01b, i.e. half-word transfer, 16-beat incrementing burst cannot be used. If SIZE is 10b, i.e. word transfer, only single and 4-beat incrementing burst can be used.</p> <p>000 Single 001 Reserved 010 4-beat incrementing burst 011 Reserved 100 8-beat incrementing burst 101 Reserved 110 16-beat incrementing burst 111 Reserved</p>																								
5	B2W	<p>Word to Byte or Byte to Word transfer for the applications of transferring non-word-aligned-address data to word-aligned-address data. Note that BURST is set to 4-beat burst while enabling this function, and the SIZE is set to Byte.</p> <p>NO effect on channel 1, 2, 12-25</p> <p>0 Disable 1 Enable</p>																								
4	DREQ	<p>Throttle and handshake control for DMA transfer</p> <p>0 No throttle control during DMA transfer or transfers occurred only between memories 1 Hardware handshake management</p> <p>The DMA master is able to throttle down the transfer rate by way of request-grant handshake.</p> <table border="0"> <tr> <td>MAS</td> <td>Selected Master</td> <td>suggest DREQ setting</td> </tr> <tr> <td>6'd2</td> <td>: I2C-0 (HALF) TX</td> <td>1</td> </tr> <tr> <td>6'd3</td> <td>: I2C-0 (HALF) RX</td> <td>1</td> </tr> <tr> <td>6'd4</td> <td>: I2C-1 (HALF) TX</td> <td>1</td> </tr> <tr> <td>6'd5</td> <td>: I2C-1 (HALF) RX</td> <td>1</td> </tr> <tr> <td>6'd14</td> <td>: HIF(USB EP2I HALF) Tx</td> <td>1</td> </tr> <tr> <td>6'd19</td> <td>: HIF(USB EP4O HALF) Rx</td> <td>1</td> </tr> <tr> <td>6'd21</td> <td>: WIFI HIF(HALF) TRX</td> <td>0</td> </tr> </table>	MAS	Selected Master	suggest DREQ setting	6'd2	: I2C-0 (HALF) TX	1	6'd3	: I2C-0 (HALF) RX	1	6'd4	: I2C-1 (HALF) TX	1	6'd5	: I2C-1 (HALF) RX	1	6'd14	: HIF(USB EP2I HALF) Tx	1	6'd19	: HIF(USB EP4O HALF) Rx	1	6'd21	: WIFI HIF(HALF) TRX	0
MAS	Selected Master	suggest DREQ setting																								
6'd2	: I2C-0 (HALF) TX	1																								
6'd3	: I2C-0 (HALF) RX	1																								
6'd4	: I2C-1 (HALF) TX	1																								
6'd5	: I2C-1 (HALF) RX	1																								
6'd14	: HIF(USB EP2I HALF) Tx	1																								
6'd19	: HIF(USB EP4O HALF) Rx	1																								
6'd21	: WIFI HIF(HALF) TRX	0																								
3	DINC	<p>Incremental destination address. Destination addresses increase every transfer. If the setting of SIZE is Byte, Destination addresses increase by 1 every single transfer. If Half-Word, increase by 2; and if Word, increase by 4.</p> <p>0 Disable 1 Enable</p> <p>No effect on channel 12~25 (Virtual FIFO). Destination address is the master fixed address for read(TX) or the Virtual FIFO write pointer for write(RX)</p>																								
2	SINC	<p>Incremental source address. Source addresses increase every transfer. If the setting of SIZE is Byte, Source addresses increase by 1 every single transfer. If Half-</p>																								

Bit(s)	Name	Description
1:0	SIZE	<p>Word, increase by 2; and if Word, increase by 4.</p> <p>0 Disable 1 Enable</p> <p>No effect on channel 12~25 (Virtual FIFO). Source address is the Virtual FIFO read pointer for read(TX) or the master fixed address for write(RX).</p> <p>Data size within the confine of a bus cycle per transfer. These bits confines the data transfer size between source and destination to the specified value for individual bus cycle. The size is in terms of byte and has maximum value of 4 bytes. It is mainly decided by the data width of a DMA master.</p> <p>00 Byte transfer/1 byte 01 Half-word transfer/2 bytes 10 Word transfer/4 bytes 11 Reserved</p>

83010518 DMA5_START DMA CR4 Channel 5 Start Register 00000000

Bit	31	30	29	28	27	26	25	24	23	22	21	20	19	18	17	16
Name																
Type																
Reset																
Bit	15	14	13	12	11	10	9	8	7	6	5	4	3	2	1	0
Name	STR															
Type	RW															
Reset	0															

Bit(s)	Name	Description
15	STR	<p>Start control for a DMA channel.</p> <p>0 The DMA channel is stopped. 1 The DMA channel is started and running.</p>

8301051C DMA5_INTSTA DMA CR4 Channel 5 Interrupt Status Register 00000000

Bit	31	30	29	28	27	26	25	24	23	22	21	20	19	18	17	16
Name																TOINT
Type																RO
Reset																0
Bit	15	14	13	12	11	10	9	8	7	6	5	4	3	2	1	0
Name	INT															
Type	RO															

Reset	0															
--------------	---	--	--	--	--	--	--	--	--	--	--	--	--	--	--	--

Bit(s)	Name	Description
16	TOINT	Timeout Interrupt Status for DMA Channel 0 No interrupt request is generated. 1 One interrupt request is pending and waiting for service.
15	INT	Interrupt Status for DMA Channel 0 No interrupt request is generated. 1 One interrupt request is pending and waiting for service.

83010520 DMA5_ACKINT DMA CR4 Channel 5 Interrupt Acknowledge Register 00000000

Bit	31	30	29	28	27	26	25	24	23	22	21	20	19	18	17	16
Name																TOACK
Type																WO
Reset																0
Bit	15	14	13	12	11	10	9	8	7	6	5	4	3	2	1	0
Name	ACK															
Type	WO															
Reset	0															

Bit(s)	Name	Description
16	TOACK	TOACK Timeout Interrupt acknowledge for the DMA channel 0 No effect 1 Interrupt request is acknowledged and should be relinquished.
15	ACK	ACK Interrupt acknowledge for the DMA channel 0 No effect 1 Interrupt request is acknowledged and should be relinquished.

83010524 DMA5_RLCT DMA CR4 Channel 5 Remaining Length of Current Transfer 00000000

Bit	31	30	29	28	27	26	25	24	23	22	21	20	19	18	17	16
Name																
Type																
Reset																
Bit	15	14	13	12	11	10	9	8	7	6	5	4	3	2	1	0
Name	RLCT															
Type	RO															

Reset	0	0	0	0	0	0	0	0	0	0	0	0	0	0	0	0
-------	---	---	---	---	---	---	---	---	---	---	---	---	---	---	---	---

Bit(s)	Name	Description
15:0	RLCT	This register is to reflect the left amount of the transfer.

83010528 DMA5 LIMITER DMA CR4 Channel 5 Bandwidth Limiter Register 00000000

Bit	31	30	29	28	27	26	25	24	23	22	21	20	19	18	17	16		
Name																		
Type																		
Reset																		
Bit	15	14	13	12	11	10	9	8	7	6	5	4	3	2	1	0		
Name									LIMITER									
Type									RW									
Reset									0	0	0	0	0	0	0	0		

Bit(s)	Name	Description
7:0	LIMITER	from 0 to 255. 0 means no limitation, 255 means totally banned, and others mean Bus access permission every (4 X n) AHB clock

8301052C DMA5 PGMADDR DMA CR4 Channel 5 Programmable Address Register 00000000

Bit	31	30	29	28	27	26	25	24	23	22	21	20	19	18	17	16
Name	PGMADDR															
Type	RW															
Reset	0	0	0	0	0	0	0	0	0	0	0	0	0	0	0	0
Bit	15	14	13	12	11	10	9	8	7	6	5	4	3	2	1	0
Name	PGMADDR															
Type	RW															
Reset	0	0	0	0	0	0	0	0	0	0	0	0	0	0	0	0

Bit(s)	Name	Description
31:0	PGMADDR	PGMADDR[31:0] specifies the addresses for a half-size DMA channel or virtual FIFO WRITE : address of the source/destination. READ : current address of the transfer. This address represents a source address if DIR in DMA_CON is set

Bit(s)	Name	Description
		to 0, and represents a destination address if DIR in DMA_CON is set to 1. Before being able to program these register, the software should make sure that STR in DMA _n _START is set to '0', that is the DMA channel is stopped and disabled completely. Otherwise, the DMA channel may run out of order.

83010608 DMA6 WPPT **DMA CR4 Channel 6 Wrap Point** **00000000**
Address Register

Bit	31	30	29	28	27	26	25	24	23	22	21	20	19	18	17	16
Name																
Type																
Reset																
Bit	15	14	13	12	11	10	9	8	7	6	5	4	3	2	1	0
Name	WPPT															
Type	RW															
Reset	0	0	0	0	0	0	0	0	0	0	0	0	0	0	0	0

Bit(s)	Name	Description
15:0	WPPT	WPPT[15:0] specifies the amount of the transfer count from start to jumping point for a DMA channel. WRITE :Address of the jump point. READ :Value set by the programmer.

8301060C DMA6 WPTO **DMA CR4 Channel 6 Wrap To** **00000000**
Address Register

Bit	31	30	29	28	27	26	25	24	23	22	21	20	19	18	17	16
Name	WPTO															
Type	RW															
Reset	0	0	0	0	0	0	0	0	0	0	0	0	0	0	0	0
Bit	15	14	13	12	11	10	9	8	7	6	5	4	3	2	1	0
Name	WPTO															
Type	RW															
Reset	0	0	0	0	0	0	0	0	0	0	0	0	0	0	0	0

Bit(s)	Name	Description
31:0	WPTO	WPTO[31:0] specifies the address of the jump point for a DMA channel, i.e. channel. WRITE :Address of the jump destination. READ :Value set by the programmer.

83010610 DMA6_COUNT
**DMA CR4 Channel 6 Transfer
Count Register**
00000000

Bit	31	30	29	28	27	26	25	24	23	22	21	20	19	18	17	16
Name																
Type																
Reset																
Bit	15	14	13	12	11	10	9	8	7	6	5	4	3	2	1	0
Name	LEN															
Type	RW															
Reset	0	0	0	0	0	0	0	0	0	0	0	0	0	0	0	0

Bit(s)	Name	Description
15:0	LEN	The amount of total transfer count This register specifies the amount of total transfer count that the DMA channel is required to perform. Upon completion, the DMA channel generates an interrupt request to the processor while ITEN in DMA _n _CON is set as '1'. Note that the total size of data being transferred by a DMA channel is determined by LEN together with the SIZE in DMA _n _CON, i.e. LEN x SIZE.

83010614 DMA6_CON
**DMA CR4 Channel 6 Control
Register**
03F00000

Bit	31	30	29	28	27	26	25	24	23	22	21	20	19	18	17	16	
Name							MAS							DI R	WP EN	WP SD	
Type							RW							RW	RW	RW	
Reset							1	1	1	1	1	1		0	0	0	
Bit	15	14	13	12	11	10	9	8	7	6	5	4	3	2	1	0	
Name	ITE N	TO EN					BURST					B2 W	DR EQ	DI NC	SIN C	SIZE	
Type	RW	RW					RW					RW	RW	RW	RW	RW	
Reset	0	0					0	0	0			0	0	0	0	0	

Bit(s)	Name	Description
25:20	MAS	Master selection. Specifies which master occupies this DMA channel. Once assigned to certain master, the corresponding DREQ and DACK are connected. For half-size and Virtual FIFO DMA channels, i.e. channels 3 ~ 25, a predefined address is assigned as well. Value Selected Master SADDR 6'd0 : Don't Use 6'd1 : Don't Use 6'd2 : I2C-0 (HALF) TX 0x83090000

Bit(s)	Name	Description
		6'd3 : I2C-0 (HALF) RX 0x83090000
		6'd4 : I2C-1 (HALF) TX 0x830A0000
		6'd5 : I2C-1 (HALF) RX 0x830A0000
		6'd6 : I2S/Audio (VFF) TX 0x22000000
		6'd7 : I2S/Audio (VFF) RX 0x22000000
		6'd8 : UART0(VFF) TX 0x83030000
		6'd9 : UART0(VFF) RX 0x83030000
		6'd10 : UART1(VFF) TX 0x83040000
		6'd11 : UART1(VFF) RX 0x83040000
		6'd12 : BTIF(VFF) TX 0x830E0000
		6'd13 : BTIF(VFF) RX 0x830E0000
		6'd14 : HIF(USB EP2I HALF) Tx 0x50310000
		6'd15 : HIF(USB EP2O VFF) Rx 0x50310004
		6'd16 : HIF(USB EP3I VFF) Tx 0x50310008
		6'd17 : HIF(USB EP3O VFF) Rx 0x5031000C
		6'd18 : HIF(USB EP4I VFF) Tx 0x50310010
		6'd19 : HIF(USB EP4O HALF) Rx 0x50310014
		6'd20 : ADC(VFF) RX 0x830D0000
		6'd21 : WIFI HIF(HALF) TRX 0x50201000
		6'd22 : not used 0x830B0000
		6'd23 : not used 0x830B0000
		6'd24~37 : VFF Data Port 0x79000m00
		*m is N-12
		other: reserved
		default :6'h3f
		SPI-M use full size channel
		If you use dma moving data from memory to memory (ex :full-size dma) , please select default value asyour master setting
18	DIR	Directions of DMA transfer for half-size and Virtual FIFO DMA channels, i.e. channels 3~25. The direction is from the perspective of the DMA masters. WRITE means read from master device and then write to the address specified in DMA_PGMADDR, and vice versa. 0 Read (read from system RAM and write to device) 1 Write (read from device and write to system RAM)
17	WPEN	Address-wrapping for ring buffer. The next address of DMA jumps to WRAP TO address when the current address matches WRAP POINT count. 0 Disable 1 Enable
16	WPSD	No effect on channel 12~25 (Virtual FIFO). The side using address-wrapping function. Only one side of a DMA channel can activate address-wrapping function at a time. 0 Address-wrapping on source . 1 Address-wrapping on destination.
15	ITEN	No effect on channel 12~25 (Virtual FIFO). DMA transfer completion interrupt enable. 0 Disable 1 Enable
14	TOEN	DMA transfer timeout interrupt enable. 0 Disable 1 Enable
10:8	BURST	No effect on channel 1~11 (Full and Half-size). Transfer Type. Burst-type transfers have better bus efficiency. Mass data movement is recommended to use this kind of transfer. However, note that burst-type transfer does not stop until all of the beats in a burst are

Bit(s)	Name	Description
		<p>completed or transfer length is reached. FIFO threshold of peripherals must be configured carefully while being used to move data from/to the peripherals.</p> <p>What transfer type can be used is restricted by the SIZE. If SIZE is 00b, i.e. byte transfer, all of the four transfer types can be used. If SIZE is 01b, i.e. half-word transfer, 16-beat incrementing burst cannot be used. If SIZE is 10b, i.e. word transfer, only single and 4-beat incrementing burst can be used.</p> <p>000 Single 001 Reserved 010 4-beat incrementing burst 011 Reserved 100 8-beat incrementing burst 101 Reserved 110 16-beat incrementing burst 111 Reserved</p>
5	B2W	<p>Word to Byte or Byte to Word transfer for the applications of transferring non-word-aligned-address data to word-aligned-address data. Note that BURST is set to 4-beat burst while enabling this function, and the SIZE is set to Byte.</p> <p>NO effect on channel 1, 2, 12-25 0 Disable 1 Enable</p>
4	DREQ	<p>Throttle and handshake control for DMA transfer</p> <p>0 No throttle control during DMA transfer or transfers occurred only between memories 1 Hardware handshake management The DMA master is able to throttle down the transfer rate by way of request-grant handshake.</p> <p>MAS Selected Master suggest DREQ setting</p> <p>6'd2 : I2C-0 (HALF) TX 1 6'd3 : I2C-0 (HALF) RX 1 6'd4 : I2C-1 (HALF) TX 1 6'd5 : I2C-1 (HALF) RX 1 6'd14 : HIF(USB EP2I HALF) Tx 1 6'd19 : HIF(USB EP4O HALF) Rx 1 6'd21 : WIFI HIF(HALF) TRX 0</p>
3	DINC	<p>Incremental destination address. Destination addresses increase every transfer. If the setting of SIZE is Byte, Destination addresses increase by 1 every single transfer. If Half-Word, increase by 2; and if Word, increase by 4.</p> <p>0 Disable 1 Enable No effect on channel 12~25 (Virtual FIFO). Destination address is the master fixed address for read(TX) or the Virtual FIFO write pointer for write(RX)</p>
2	SINC	<p>Incremental source address. Source addresses increase every transfer. If the setting of SIZE is Byte, Source addresses increase by 1 every single transfer. If Half-Word, increase by 2; and if Word, increase by 4.</p> <p>0 Disable 1 Enable No effect on channel 12~25 (Virtual FIFO). Source address is the Virtual FIFO read pointer for read(TX) or the master fixed address for write(RX).</p>
1:0	SIZE	<p>Data size within the confine of a bus cycle per transfer. These bits confines the data transfer size between source and destination to the specified value for individual bus cycle. The size is in terms of byte</p>

Bit(s)	Name	Description
		and has maximum value of 4 bytes. It is mainly decided by the data width of a DMA master. 00 Byte transfer/1 byte 01 Half-word transfer/2 bytes 10 Word transfer/4 bytes 11 Reserved

83010618 DMA6_START DMA CR4 Channel 6 Start Register 00000000

Bit	31	30	29	28	27	26	25	24	23	22	21	20	19	18	17	16
Name																
Type																
Reset																
Bit	15	14	13	12	11	10	9	8	7	6	5	4	3	2	1	0
Name	STR															
Type	RW															
Reset	0															

Bit(s)	Name	Description
15	STR	Start control for a DMA channel. 0 The DMA channel is stopped. 1 The DMA channel is started and running.

8301061C DMA6_INTSTA DMA CR4 Channel 6 Interrupt Status Register 00000000

Bit	31	30	29	28	27	26	25	24	23	22	21	20	19	18	17	16
Name																TOINT
Type																RO
Reset																0
Bit	15	14	13	12	11	10	9	8	7	6	5	4	3	2	1	0
Name	INT															
Type	RO															
Reset	0															

Bit(s)	Name	Description
16	TOINT	Timeout Interrupt Status for DMA Channel 0 No interrupt request is generated. 1 One interrupt request is pending and waiting for service. No effect on channel 1~11 (Full and Half-size).
15	INT	Interrupt Status for DMA Channel

Bit(s)	Name	Description
		0 No interrupt request is generated. 1 One interrupt request is pending and waiting for service.

83010620 DMA6 ACKINT DMA CR4 Channel 6 Interrupt Acknowledge Register 00000000

Bit	31	30	29	28	27	26	25	24	23	22	21	20	19	18	17	16
Name																TOACK
Type																WO
Reset																0
Bit	15	14	13	12	11	10	9	8	7	6	5	4	3	2	1	0
Name	ACK															
Type	WO															
Reset	0															

Bit(s)	Name	Description
16	TOACK	TOACK Timeout Interrupt acknowledge for the DMA channel 0 No effect 1 Interrupt request is acknowledged and should be relinquished.
15	ACK	ACK Interrupt acknowledge for the DMA channel 0 No effect 1 Interrupt request is acknowledged and should be relinquished.

83010624 DMA6 RLCT DMA CR4 Channel 6 Remaining Length of Current Transfer 00000000

Bit	31	30	29	28	27	26	25	24	23	22	21	20	19	18	17	16
Name																
Type																
Reset																
Bit	15	14	13	12	11	10	9	8	7	6	5	4	3	2	1	0
Name	RLCT															
Type	RO															
Reset	0	0	0	0	0	0	0	0	0	0	0	0	0	0	0	0

Bit(s)	Name	Description
15:0	RLCT	This register is to reflect the left amount of the transfer.

83010628 DMA6 LIMITER DMA CR4 Channel 6 Bandwidth Limiter Register 00000000

Bit	31	30	29	28	27	26	25	24	23	22	21	20	19	18	17	16		
Name																		
Type																		
Reset																		
Bit	15	14	13	12	11	10	9	8	7	6	5	4	3	2	1	0		
Name									LIMITER									
Type									RW									
Reset									0	0	0	0	0	0	0	0		

Bit(s)	Name	Description
7:0	LIMITER	from 0 to 255. 0 means no limitation, 255 means totally banned, and others mean Bus access permission every (4 X n) AHB clock

8301062C DMA6 PGMADDR DMA CR4 Channel 6 Programmable Address Register 00000000

Bit	31	30	29	28	27	26	25	24	23	22	21	20	19	18	17	16
Name	PGMADDR															
Type	RW															
Reset	0	0	0	0	0	0	0	0	0	0	0	0	0	0	0	0
Bit	15	14	13	12	11	10	9	8	7	6	5	4	3	2	1	0
Name	PGMADDR															
Type	RW															
Reset	0	0	0	0	0	0	0	0	0	0	0	0	0	0	0	0

Bit(s)	Name	Description
31:0	PGMADDR	<p>PGMADDR[31:0] specifies the addresses for a half-size DMA channel or virtual FIFO</p> <p>WRITE : address of the source/destination. READ : current address of the transfer.</p> <p>This address represents a source address if DIR in DMA_CON is set to 0, and represents a destination address if DIR in DMA_CON is set to 1. Before being able to program these register, the software should make sure that STR in DMAn_START is set to '0', that is the DMA channel is stopped and disabled completely. Otherwise, the DMA channel may run out of order.</p>

83010708 DMA7 WPPT DMA CR4 Channel 7 Wrap Point 00000000

Address Register

Bit	31	30	29	28	27	26	25	24	23	22	21	20	19	18	17	16
Name																
Type																
Reset																
Bit	15	14	13	12	11	10	9	8	7	6	5	4	3	2	1	0
Name	WPPT															
Type	RW															
Reset	0	0	0	0	0	0	0	0	0	0	0	0	0	0	0	0

Bit(s)	Name	Description
15:0	WPPT	WPPT[15:0] specifies the amount of the transfer count from start to jumping point for a DMA channel. WRITE :Address of the jump point. READ :Value set by the programmer.

8301070C DMA7 WPTO
DMA CR4 Channel 7 Wrap To Address Register
00000000

Bit	31	30	29	28	27	26	25	24	23	22	21	20	19	18	17	16
Name	WPTO															
Type	RW															
Reset	0	0	0	0	0	0	0	0	0	0	0	0	0	0	0	0
Bit	15	14	13	12	11	10	9	8	7	6	5	4	3	2	1	0
Name	WPTO															
Type	RW															
Reset	0	0	0	0	0	0	0	0	0	0	0	0	0	0	0	0

Bit(s)	Name	Description
31:0	WPTO	WPTO[31:0] specifies the address of the jump point for a DMA channel, i.e. channel. WRITE :Address of the jump destination. READ :Value set by the programmer.

83010710 DMA7 COUNT
DMA CR4 Channel 7 Transfer Count Register
00000000

Bit	31	30	29	28	27	26	25	24	23	22	21	20	19	18	17	16
Name																
Type																
Reset																

t																
Bit	15	14	13	12	11	10	9	8	7	6	5	4	3	2	1	0
Name	LEN															
Type	RW															
Reset	0	0	0	0	0	0	0	0	0	0	0	0	0	0	0	0

Bit(s)	Name	Description
15:0	LEN	<p>The amount of total transfer count</p> <p>This register specifies the amount of total transfer count that the DMA channel is required to perform. Upon completion, the DMA channel generates an interrupt request to the processor while ITEN in DMA_n_CON is set as '1'. Note that the total size of data being transferred by a DMA channel is determined by LEN together with the SIZE in DMA_n_CON, i.e. LEN x SIZE.</p>

83010714 DMA7 CON

DMA CR4 Channel 7 Control Register

03F0000

Bit	31	30	29	28	27	26	25	24	23	22	21	20	19	18	17	16	
Name							MAS							DI R	WP EN	WP SD	
Type							RW							RW	RW	RW	
Reset							1	1	1	1	1	1		0	0	0	
Bit	15	14	13	12	11	10	9	8	7	6	5	4	3	2	1	0	
Name	ITEN	TOEN					BURST						B2W	DREQ	DI NC	SIN C	SIZE
Type	RW	RW					RW						RW	RW	RW	RW	RW
Reset	0	0				0	0	0			0	0	0	0	0	0	

Bit(s)	Name	Description																																										
25:20	MAS	<p>Master selection.</p> <p>Specifies which master occupies this DMA channel. Once assigned to certain master, the corresponding DREQ and DACK are connected. For half-size and Virtual FIFO DMA channels, i.e. channels 3 ~ 25, a predefined address is assigned as well.</p> <table border="0"> <tr> <td>Value</td> <td>Selected Master</td> <td>SADDR</td> </tr> <tr> <td>6'd0</td> <td>: Don't Use</td> <td></td> </tr> <tr> <td>6'd1</td> <td>: Don't Use</td> <td></td> </tr> <tr> <td>6'd2</td> <td>: I2C-0 (HALF) TX</td> <td>0x83090000</td> </tr> <tr> <td>6'd3</td> <td>: I2C-0 (HALF) RX</td> <td>0x83090000</td> </tr> <tr> <td>6'd4</td> <td>: I2C-1 (HALF) TX</td> <td>0x830A0000</td> </tr> <tr> <td>6'd5</td> <td>: I2C-1 (HALF) RX</td> <td>0x830A0000</td> </tr> <tr> <td>6'd6</td> <td>: I2S/Audio (VFF) TX</td> <td>0x22000000</td> </tr> <tr> <td>6'd7</td> <td>: I2S/Audio (VFF) RX</td> <td>0x22000000</td> </tr> <tr> <td>6'd8</td> <td>: UART0(VFF) TX</td> <td>0x83030000</td> </tr> <tr> <td>6'd9</td> <td>: UART0(VFF) RX</td> <td>0x83030000</td> </tr> <tr> <td>6'd10</td> <td>: UART1(VFF) TX</td> <td>0x83040000</td> </tr> <tr> <td>6'd11</td> <td>: UART1(VFF) RX</td> <td>0x83040000</td> </tr> <tr> <td>6'd12</td> <td>: BTIF(VFF) TX</td> <td>0x830E0000</td> </tr> </table>	Value	Selected Master	SADDR	6'd0	: Don't Use		6'd1	: Don't Use		6'd2	: I2C-0 (HALF) TX	0x83090000	6'd3	: I2C-0 (HALF) RX	0x83090000	6'd4	: I2C-1 (HALF) TX	0x830A0000	6'd5	: I2C-1 (HALF) RX	0x830A0000	6'd6	: I2S/Audio (VFF) TX	0x22000000	6'd7	: I2S/Audio (VFF) RX	0x22000000	6'd8	: UART0(VFF) TX	0x83030000	6'd9	: UART0(VFF) RX	0x83030000	6'd10	: UART1(VFF) TX	0x83040000	6'd11	: UART1(VFF) RX	0x83040000	6'd12	: BTIF(VFF) TX	0x830E0000
Value	Selected Master	SADDR																																										
6'd0	: Don't Use																																											
6'd1	: Don't Use																																											
6'd2	: I2C-0 (HALF) TX	0x83090000																																										
6'd3	: I2C-0 (HALF) RX	0x83090000																																										
6'd4	: I2C-1 (HALF) TX	0x830A0000																																										
6'd5	: I2C-1 (HALF) RX	0x830A0000																																										
6'd6	: I2S/Audio (VFF) TX	0x22000000																																										
6'd7	: I2S/Audio (VFF) RX	0x22000000																																										
6'd8	: UART0(VFF) TX	0x83030000																																										
6'd9	: UART0(VFF) RX	0x83030000																																										
6'd10	: UART1(VFF) TX	0x83040000																																										
6'd11	: UART1(VFF) RX	0x83040000																																										
6'd12	: BTIF(VFF) TX	0x830E0000																																										

Bit(s)	Name	Description
		6'd13 : BTIF(VFF) RX 0x830E0000
		6'd14 : HIF(USB EP2I HALF) Tx 0x50310000
		6'd15 : HIF(USB EP2O VFF) Rx 0x50310004
		6'd16 : HIF(USB EP3I VFF) Tx 0x50310008
		6'd17 : HIF(USB EP3O VFF) Rx 0x5031000C
		6'd18 : HIF(USB EP4I VFF) Tx 0x50310010
		6'd19 : HIF(USB EP4O HALF) Rx 0x50310014
		6'd20 : ADC(VFF) RX 0x830D0000
		6'd21 : WIFI HIF(HALF) TRX 0x50201000
		6'd22 : not used 0x830B0000
		6'd23 : not used 0x830B0000
		6'd24~37 : VFF Data Port 0x79000m00
		*m is N-12
		other: reserved
		default :6'h3f
		SPI-M use full size channel
		If you use dma moving data from memory to memory (ex :full-size dma) , please select default value asyour master setting
18	DIR	Directions of DMA transfer for half-size and Virtual FIFO DMA channels, i.e. channels 3~25. The direction is from the perspective of the DMA masters. WRITE means read from master device and then write to the address specified in DMA_PGMADDR, and vice versa.
		0 Read (read from system RAM and write to device)
		1 Write (read from device and write to system RAM)
17	WPEN	Address-wrapping for ring buffer. The next address of DMA jumps to WRAP TO address when the current address matches WRAP POINT count.
		0 Disable
		1 Enable
16	WPSD	No effect on channel 12~25 (Virtual FIFO). The side using address-wrapping function. Only one side of a DMA channel can activate address-wrapping function at a time.
		0 Address-wrapping on source .
		1 Address-wrapping on destination.
15	ITEN	No effect on channel 12~25 (Virtual FIFO). DMA transfer completion interrupt enable.
		0 Disable
		1 Enable
14	TOEN	DMA transfer timeout interrupt enable.
		0 Disable
		1 Enable
10:8	BURST	No effect on channel 1~11 (Full and Half-size). Transfer Type. Burst-type transfers have better bus efficiency. Mass data movement is recommended to use this kind of transfer. However, note that burst-type transfer does not stop until all of the beats in a burst are completed or transfer length is reached. FIFO threshold of peripherals must be configured carefully while being used to move data from/to the peripherals. What transfer type can be used is restricted by the SIZE. If SIZE is 00b, i.e. byte transfer, all of the four transfer types can be used. If SIZE is 01b, i.e. half-word transfer, 16-beat incrementing burst cannot be used. If SIZE is 10b, i.e. word transfer, only single and 4-beat incrementing burst can be used.
		000 Single
		001 Reserved

Bit(s)	Name	Description
		010 4-beat incrementing burst 011 Reserved 100 8-beat incrementing burst 101 Reserved 110 16-beat incrementing burst 111 Reserved
5	B2W	Word to Byte or Byte to Word transfer for the applications of transferring non-word-aligned-address data to word-aligned-address data. Note that BURST is set to 4-beat burst while enabling this function, and the SIZE is set to Byte. NO effect on channel 1 , 2, 12-25 0 Disable 1 Enable
4	DREQ	Throttle and handshake control for DMA transfer 0 No throttle control during DMA transfer or transfers occurred only between memories 1 Hardware handshake management The DMA master is able to throttle down the transfer rate by way of request-grant handshake. MAS Selected Master suggest DREQ setting 6'd2 : I2C-0 (HALF) TX 1 6'd3 : I2C-0 (HALF) RX 1 6'd4 : I2C-1 (HALF) TX 1 6'd5 : I2C-1 (HALF) RX 1 6'd14 : HIF(USB EP2I HALF) Tx 1 6'd19 : HIF(USB EP4O HALF) Rx 1 6'd21 : WIFI HIF(HALF) TRX 0
3	DINC	Incremental destination address. Destination addresses increase every transfer. If the setting of SIZE is Byte, Destination addresses increase by 1 every single transfer. If Half-Word, increase by 2; and if Word, increase by 4. 0 Disable 1 Enable No effect on channel 12~25 (Virtual FIFO). Destination address is the master fixed address for read(TX) or the Virtual FIFO write pointer for write(RX)
2	SINC	Incremental source address. Source addresses increase every transfer. If the setting of SIZE is Byte, Source addresses increase by 1 every single transfer. If Half-Word, increase by 2; and if Word, increase by 4. 0 Disable 1 Enable No effect on channel 12~25 (Virtual FIFO). Source address is the Virtual FIFO read pointer for read(TX) or the master fixed address for write(RX).
1:0	SIZE	Data size within the confine of a bus cycle per transfer. These bits confines the data transfer size between source and destination to the specified value for individual bus cycle. The size is in terms of byte and has maximum value of 4 bytes. It is mainly decided by the data width of a DMA master. 00 Byte transfer/1 byte 01 Half-word transfer/2 bytes 10 Word transfer/4 bytes 11 Reserved

83010718 DMA7_START DMA CR4 Channel 7 Start Register 00000000

Bit	31	30	29	28	27	26	25	24	23	22	21	20	19	18	17	16
Name																
Type																
Reset																
Bit	15	14	13	12	11	10	9	8	7	6	5	4	3	2	1	0
Name	STR															
Type	RW															
Reset	0															

Bit(s)	Name	Description
15	STR	Start control for a DMA channel. 0 The DMA channel is stopped. 1 The DMA channel is started and running.

8301071C DMA7_INTSTA DMA CR4 Channel 7 Interrupt Status Register 00000000

Bit	31	30	29	28	27	26	25	24	23	22	21	20	19	18	17	16
Name																TOINT
Type																RO
Reset																0
Bit	15	14	13	12	11	10	9	8	7	6	5	4	3	2	1	0
Name	INT															
Type	RO															
Reset	0															

Bit(s)	Name	Description
16	TOINT	Timeout Interrupt Status for DMA Channel 0 No interrupt request is generated. 1 One interrupt request is pending and waiting for service.
15	INT	Interrupt Status for DMA Channel 0 No interrupt request is generated. 1 One interrupt request is pending and waiting for service.

83010720 DMA7_ACKINT DMA CR4 Channel 7 Interrupt Acknowledge Register 00000000

Bit	31	30	29	28	27	26	25	24	23	22	21	20	19	18	17	16
Name																TOAC

																K
Type																WO
Reset																0
Bit	15	14	13	12	11	10	9	8	7	6	5	4	3	2	1	0
Name	ACK															
Type	WO															
Reset	0															

Bit(s)	Name	Description
16	TOACK	TOACK Timeout Interrupt acknowledge for the DMA channel 0 No effect 1 Interrupt request is acknowledged and should be relinquished. No effect on channel 1~11 (Full and Half-size).
15	ACK	ACK Interrupt acknowledge for the DMA channel 0 No effect 1 Interrupt request is acknowledged and should be relinquished.

83010724 DMA7 RLCT DMA CR4 Channel 7 Remaining Length of Current Transfer 00000000

Bit	31	30	29	28	27	26	25	24	23	22	21	20	19	18	17	16
Name																
Type																
Reset																
Bit	15	14	13	12	11	10	9	8	7	6	5	4	3	2	1	0
Name	RLCT															
Type	RO															
Reset	0	0	0	0	0	0	0	0	0	0	0	0	0	0	0	0

Bit(s)	Name	Description
15:0	RLCT	This register is to reflect the left amount of the transfer.

83010728 DMA7 LIMITER DMA CR4 Channel 7 Bandwidth Limiter Register 00000000

Bit	31	30	29	28	27	26	25	24	23	22	21	20	19	18	17	16
Name																
Type																
Reset																
Bit	15	14	13	12	11	10	9	8	7	6	5	4	3	2	1	0

Name									LIMITER							
Type									RW							
Reset									0	0	0	0	0	0	0	0

Bit(s)	Name	Description
7:0	LIMITER	from 0 to 255. 0 means no limitation, 255 means totally banned, and others mean Bus access permission every (4 X n) AHB clock

8301072C DMA7 PGMADDR DMA CR4 Channel 7 Programmable Address Register 00000000

Bit	31	30	29	28	27	26	25	24	23	22	21	20	19	18	17	16
Name	PGMADDR															
Type	RW															
Reset	0	0	0	0	0	0	0	0	0	0	0	0	0	0	0	0
Bit	15	14	13	12	11	10	9	8	7	6	5	4	3	2	1	0
Name	PGMADDR															
Type	RW															
Reset	0	0	0	0	0	0	0	0	0	0	0	0	0	0	0	0

Bit(s)	Name	Description
31:0	PGMADDR	<p>PGMADDR[31:0] specifies the addresses for a half-size DMA channel or virtual FIFO</p> <p>WRITE : address of the source/destination.</p> <p>READ : current address of the transfer.</p> <p>This address represents a source address if DIR in DMA_CON is set to 0, and represents a destination address if DIR in DMA_CON is set to 1. Before being able to program these register, the software should make sure that STR in DMA_n_START is set to '0', that is the DMA channel is stopped and disabled completely. Otherwise, the DMA channel may run out of order.</p>

83010808 DMA8 WPPT DMA CR4 Channel 8 Wrap Point Address Register 00000000

Bit	31	30	29	28	27	26	25	24	23	22	21	20	19	18	17	16
Name																
Type																
Reset																
Bit	15	14	13	12	11	10	9	8	7	6	5	4	3	2	1	0
Name	WPPT															

Type	RW															
Reset	0	0	0	0	0	0	0	0	0	0	0	0	0	0	0	0

Bit(s)	Name	Description
15:0	WPPT	WPPT[15:0] specifies the amount of the transfer count from start to jumping point for a DMA channel. WRITE :Address of the jump point. READ :Value set by the programmer.

8301080C DMA8 WPTO **DMA CR4 Channel 8 Wrap To** **00000000**
Address Register

Bit	31	30	29	28	27	26	25	24	23	22	21	20	19	18	17	16
Name	WPTO															
Type	RW															
Reset	0	0	0	0	0	0	0	0	0	0	0	0	0	0	0	0
Bit	15	14	13	12	11	10	9	8	7	6	5	4	3	2	1	0
Name	WPTO															
Type	RW															
Reset	0	0	0	0	0	0	0	0	0	0	0	0	0	0	0	0

Bit(s)	Name	Description
31:0	WPTO	WPTO[31:0] specifies the address of the jump point for a DMA channel, i.e. channel. WRITE :Address of the jump destination. READ :Value set by the programmer.

83010810 DMA8 COUNT **DMA CR4 Channel 8 Transfer** **00000000**
Count Register

Bit	31	30	29	28	27	26	25	24	23	22	21	20	19	18	17	16
Name																
Type																
Reset																
Bit	15	14	13	12	11	10	9	8	7	6	5	4	3	2	1	0
Name	LEN															
Type	RW															
Reset	0	0	0	0	0	0	0	0	0	0	0	0	0	0	0	0

Bit(s)	Name	Description
15:0	LEN	The amount of total transfer count This register specifies the amount of total transfer count that the

Bit(s)	Name	Description
		DMA channel is required to perform. Upon completion, the DMA channel generates an interrupt request to the processor while ITEN in DMA _n _CON is set as '1'. Note that the total size of data being transferred by a DMA channel is determined by LEN together with the SIZE in DMA _n _CON, i.e. LEN x SIZE.

83010814 DMA8_CON DMA CR4 Channel 8 Control Register 03F00000

Bit	31	30	29	28	27	26	25	24	23	22	21	20	19	18	17	16
Name							MAS							DI R	WP EN	WP SD
Type							RW							RW	RW	RW
Reset							1	1	1	1	1	1		0	0	0
Bit	15	14	13	12	11	10	9	8	7	6	5	4	3	2	1	0
Name	ITEN	TOEN					BURST					B2W	DREQ	DI NC	SIN C	SIZE
Type	RW	RW					RW					RW	RW	RW	RW	RW
Reset	0	0				0	0	0			0	0	0	0	0	0

Bit(s)	Name	Description																																																																														
25:20	MAS	<p>Master selection. Specifies which master occupies this DMA channel. Once assigned to certain master, the corresponding DREQ and DACK are connected. For half-size and Virtual FIFO DMA channels, i.e. channels 3 ~ 25, a predefined address is assigned as well.</p> <table border="0"> <tr> <td>Value</td> <td>Selected Master</td> <td>SADDR</td> </tr> <tr> <td>6'd0</td> <td>: Don't Use</td> <td></td> </tr> <tr> <td>6'd1</td> <td>: Don't Use</td> <td></td> </tr> <tr> <td>6'd2</td> <td>: I2C-0 (HALF) TX</td> <td>0x83090000</td> </tr> <tr> <td>6'd3</td> <td>: I2C-0 (HALF) RX</td> <td>0x83090000</td> </tr> <tr> <td>6'd4</td> <td>: I2C-1 (HALF) TX</td> <td>0x830A0000</td> </tr> <tr> <td>6'd5</td> <td>: I2C-1 (HALF) RX</td> <td>0x830A0000</td> </tr> <tr> <td>6'd6</td> <td>: I2S/Audio (VFF) TX</td> <td>0x22000000</td> </tr> <tr> <td>6'd7</td> <td>: I2S/Audio (VFF) RX</td> <td>0x22000000</td> </tr> <tr> <td>6'd8</td> <td>: UART0(VFF) TX</td> <td>0x83030000</td> </tr> <tr> <td>6'd9</td> <td>: UART0(VFF) RX</td> <td>0x83030000</td> </tr> <tr> <td>6'd10</td> <td>: UART1(VFF) TX</td> <td>0x83040000</td> </tr> <tr> <td>6'd11</td> <td>: UART1(VFF) RX</td> <td>0x83040000</td> </tr> <tr> <td>6'd12</td> <td>: BTIF(VFF) TX</td> <td>0x830E0000</td> </tr> <tr> <td>6'd13</td> <td>: BTIF(VFF) RX</td> <td>0x830E0000</td> </tr> <tr> <td>6'd14</td> <td>: HIF(USB EP2I HALF) Tx</td> <td>0x50310000</td> </tr> <tr> <td>6'd15</td> <td>: HIF(USB EP2O VFF) Rx</td> <td>0x50310004</td> </tr> <tr> <td>6'd16</td> <td>: HIF(USB EP3I VFF) Tx</td> <td>0x50310008</td> </tr> <tr> <td>6'd17</td> <td>: HIF(USB EP3O VFF) Rx</td> <td>0x5031000C</td> </tr> <tr> <td>6'd18</td> <td>: HIF(USB EP4I VFF) Tx</td> <td>0x50310010</td> </tr> <tr> <td>6'd19</td> <td>: HIF(USB EP4O HALF) Rx</td> <td>0x50310014</td> </tr> <tr> <td>6'd20</td> <td>: ADC(VFF) RX</td> <td>0x830D0000</td> </tr> <tr> <td>6'd21</td> <td>: WIFI HIF(HALF) TRX</td> <td>0x50201000</td> </tr> <tr> <td>6'd22</td> <td>: not used</td> <td>0x830B0000</td> </tr> <tr> <td>6'd23</td> <td>: not used</td> <td>0x830B0000</td> </tr> <tr> <td>6'd24~37</td> <td>: VFF Data Port</td> <td>0x79000m00</td> </tr> </table>	Value	Selected Master	SADDR	6'd0	: Don't Use		6'd1	: Don't Use		6'd2	: I2C-0 (HALF) TX	0x83090000	6'd3	: I2C-0 (HALF) RX	0x83090000	6'd4	: I2C-1 (HALF) TX	0x830A0000	6'd5	: I2C-1 (HALF) RX	0x830A0000	6'd6	: I2S/Audio (VFF) TX	0x22000000	6'd7	: I2S/Audio (VFF) RX	0x22000000	6'd8	: UART0(VFF) TX	0x83030000	6'd9	: UART0(VFF) RX	0x83030000	6'd10	: UART1(VFF) TX	0x83040000	6'd11	: UART1(VFF) RX	0x83040000	6'd12	: BTIF(VFF) TX	0x830E0000	6'd13	: BTIF(VFF) RX	0x830E0000	6'd14	: HIF(USB EP2I HALF) Tx	0x50310000	6'd15	: HIF(USB EP2O VFF) Rx	0x50310004	6'd16	: HIF(USB EP3I VFF) Tx	0x50310008	6'd17	: HIF(USB EP3O VFF) Rx	0x5031000C	6'd18	: HIF(USB EP4I VFF) Tx	0x50310010	6'd19	: HIF(USB EP4O HALF) Rx	0x50310014	6'd20	: ADC(VFF) RX	0x830D0000	6'd21	: WIFI HIF(HALF) TRX	0x50201000	6'd22	: not used	0x830B0000	6'd23	: not used	0x830B0000	6'd24~37	: VFF Data Port	0x79000m00
Value	Selected Master	SADDR																																																																														
6'd0	: Don't Use																																																																															
6'd1	: Don't Use																																																																															
6'd2	: I2C-0 (HALF) TX	0x83090000																																																																														
6'd3	: I2C-0 (HALF) RX	0x83090000																																																																														
6'd4	: I2C-1 (HALF) TX	0x830A0000																																																																														
6'd5	: I2C-1 (HALF) RX	0x830A0000																																																																														
6'd6	: I2S/Audio (VFF) TX	0x22000000																																																																														
6'd7	: I2S/Audio (VFF) RX	0x22000000																																																																														
6'd8	: UART0(VFF) TX	0x83030000																																																																														
6'd9	: UART0(VFF) RX	0x83030000																																																																														
6'd10	: UART1(VFF) TX	0x83040000																																																																														
6'd11	: UART1(VFF) RX	0x83040000																																																																														
6'd12	: BTIF(VFF) TX	0x830E0000																																																																														
6'd13	: BTIF(VFF) RX	0x830E0000																																																																														
6'd14	: HIF(USB EP2I HALF) Tx	0x50310000																																																																														
6'd15	: HIF(USB EP2O VFF) Rx	0x50310004																																																																														
6'd16	: HIF(USB EP3I VFF) Tx	0x50310008																																																																														
6'd17	: HIF(USB EP3O VFF) Rx	0x5031000C																																																																														
6'd18	: HIF(USB EP4I VFF) Tx	0x50310010																																																																														
6'd19	: HIF(USB EP4O HALF) Rx	0x50310014																																																																														
6'd20	: ADC(VFF) RX	0x830D0000																																																																														
6'd21	: WIFI HIF(HALF) TRX	0x50201000																																																																														
6'd22	: not used	0x830B0000																																																																														
6'd23	: not used	0x830B0000																																																																														
6'd24~37	: VFF Data Port	0x79000m00																																																																														

Bit(s)	Name	Description
		*m is N-12 other: reserved default :6'h3f SPI-M use full size channel
18	DIR	If you use dma moving data from memory to memory (ex :full-size dma) , please select default value asyour master setting Directions of DMA transfer for half-size and Virtual FIFO DMA channels, i.e. channels 3~25. The direction is from the perspective of the DMA masters. WRITE means read from master device and then write to the address specified in DMA_PGMADDR, and vice versa. 0 Read (read from system RAM and write to device) 1 Write (read from device and write to system RAM)
17	WPEN	Address-wrapping for ring buffer. The next address of DMA jumps to WRAP TO address when the current address matches WRAP POINT count. 0 Disable 1 Enable
16	WPSD	No effect on channel 12~25 (Virtual FIFO). The side using address-wrapping function. Only one side of a DMA channel can activate address-wrapping function at a time. 0 Address-wrapping on source . 1 Address-wrapping on destination.
15	ITEN	No effect on channel 12~25 (Virtual FIFO). DMA transfer completion interrupt enable. 0 Disable 1 Enable
14	TOEN	DMA transfer timeout interrupt enable. 0 Disable 1 Enable
10:8	BURST	No effect on channel 1~11 (Full and Half-size). Transfer Type. Burst-type transfers have better bus efficiency. Mass data movement is recommended to use this kind of transfer. However, note that burst-type transfer does not stop until all of the beats in a burst are completed or transfer length is reached. FIFO threshold of peripherals must be configured carefully while being used to move data from/to the peripherals. What transfer type can be used is restricted by the SIZE. If SIZE is 00b, i.e. byte transfer, all of the four transfer types can be used. If SIZE is 01b, i.e. half-word transfer, 16-beat incrementing burst cannot be used. If SIZE is 10b, i.e. word transfer, only single and 4-beat incrementing burst can be used. For fool-proofing mechanism, when 16-beat incrementing burst is applied for word transfer, actually only 4 beats are sent. 000 Single 001 Reserved 010 4-beat incrementing burst 011 Reserved 100 8-beat incrementing burst 101 Reserved 110 16-beat incrementing burst 111 Reserved
5	B2W	Word to Byte or Byte to Word transfer for the applications of transferring non-word-aligned-address data to word-aligned-address data. Note that BURST is set to 4-beat burst while enabling this function, and the SIZE is set to

Bit(s)	Name	Description
4	DREQ	<p>Byte. NO effect on channel 1 , 2, 12-25 0 Disable 1 Enable</p> <p>Throttle and handshake control for DMA transfer 0 No throttle control during DMA transfer or transfers occurred only between memories 1 Hardware handshake management The DMA master is able to throttle down the transfer rate by way of request-grant handshake. MAS Selected Master suggest DREQ setting 6'd2 : I2C-0 (HALF) TX 1 6'd3 : I2C-0 (HALF) RX 1 6'd4 : I2C-1 (HALF) TX 1 6'd5 : I2C-1 (HALF) RX 1 6'd14 : HIF(USB EP2I HALF) Tx 1 6'd19 : HIF(USB EP4O HALF) Rx 1 6'd21 : WIFI HIF(HALF) TRX 0</p>
3	DINC	<p>Incremental destination address. Destination addresses increase every transfer. If the setting of SIZE is Byte, Destination addresses increase by 1 every single transfer. If Half-Word, increase by 2; and if Word, increase by 4. 0 Disable 1 Enable No effect on channel 12~25 (Virtual FIFO). Destination address is the master fixed address for read(TX) or the Virtual FIFO write pointer for write(RX)</p>
2	SINC	<p>Incremental source address. Source addresses increase every transfer. If the setting of SIZE is Byte, Source addresses increase by 1 every single transfer. If Half-Word, increase by 2; and if Word, increase by 4. 0 Disable 1 Enable No effect on channel 12~25 (Virtual FIFO). Source address is the Virtual FIFO read pointer for read(TX) or the master fixed address for write(RX).</p>
1:0	SIZE	<p>Data size within the confine of a bus cycle per transfer. These bits confines the data transfer size between source and destination to the specified value for individual bus cycle. The size is in terms of byte and has maximum value of 4 bytes. It is mainly decided by the data width of a DMA master. 00 Byte transfer/1 byte 01 Half-word transfer/2 bytes 10 Word transfer/4 bytes 11 Reserved</p>

83010818 DMA8 START DMA CR4 Channel 8 Start Register 00000000

Bit	31	30	29	28	27	26	25	24	23	22	21	20	19	18	17	16
Name																
Type																
Reset																
Bit	15	14	13	12	11	10	9	8	7	6	5	4	3	2	1	0

Name	STR															
Type	RW															
Reset	0															

Bit(s)	Name	Description
15	STR	Start control for a DMA channel. 0 The DMA channel is stopped. 1 The DMA channel is started and running.

8301081C DMA8_INTSTA DMA CR4 Channel 8 Interrupt Status Register 00000000

Bit	31	30	29	28	27	26	25	24	23	22	21	20	19	18	17	16
Name																TOINT
Type																RO
Reset																0
Bit	15	14	13	12	11	10	9	8	7	6	5	4	3	2	1	0
Name	INT															
Type	RO															
Reset	0															

Bit(s)	Name	Description
16	TOINT	Timeout Interrupt Status for DMA Channel 0 No interrupt request is generated. 1 One interrupt request is pending and waiting for service. No effect on channel 1~11 (Full and Half-size).
15	INT	Interrupt Status for DMA Channel 0 No interrupt request is generated. 1 One interrupt request is pending and waiting for service.

83010820 DMA8_ACKINT DMA CR4 Channel 8 Interrupt Acknowledge Register 00000000

Bit	31	30	29	28	27	26	25	24	23	22	21	20	19	18	17	16
Name																TOACK
Type																WO
Reset																0
Bit	15	14	13	12	11	10	9	8	7	6	5	4	3	2	1	0
Name	ACK															
Type	WO															

Reset	0															
--------------	---	--	--	--	--	--	--	--	--	--	--	--	--	--	--	--

Bit(s)	Name	Description
16	TOACK	TOACK Timeout Interrupt acknowledge for the DMA channel 0 No effect 1 Interrupt request is acknowledged and should be relinquished.
15	ACK	ACK Interrupt acknowledge for the DMA channel 0 No effect 1 Interrupt request is acknowledged and should be relinquished.

83010824 DMA8 RLCT DMA CR4 Channel 8 Remaining Length of Current Transfer 00000000

Bit	31	30	29	28	27	26	25	24	23	22	21	20	19	18	17	16
Name																
Type																
Reset																
Bit	15	14	13	12	11	10	9	8	7	6	5	4	3	2	1	0
Name	RLCT															
Type	RO															
Reset	0	0	0	0	0	0	0	0	0	0	0	0	0	0	0	0

Bit(s)	Name	Description
15:0	RLCT	This register is to reflect the left amount of the transfer.

83010828 DMA8 LIMITER DMA CR4 Channel 8 Bandwidth Limiter Register 00000000

Bit	31	30	29	28	27	26	25	24	23	22	21	20	19	18	17	16
Name																
Type																
Reset																
Bit	15	14	13	12	11	10	9	8	7	6	5	4	3	2	1	0
Name									LIMITER							
Type									RW							
Reset									0	0	0	0	0	0	0	0

Bit(s)	Name	Description
7:0	LIMITER	from 0 to 255. 0 means no limitation, 255 means totally

Bit(s)	Name	Description
		banned, and others mean Bus access permission every (4 X n) AHB clock

8301082C DMA8 PGMADDR DMA CR4 Channel 8 Programmable Address Register 00000000

Bit	31	30	29	28	27	26	25	24	23	22	21	20	19	18	17	16
Name	PGMADDR															
Type	RW															
Reset	0	0	0	0	0	0	0	0	0	0	0	0	0	0	0	0
Bit	15	14	13	12	11	10	9	8	7	6	5	4	3	2	1	0
Name	PGMADDR															
Type	RW															
Reset	0	0	0	0	0	0	0	0	0	0	0	0	0	0	0	0

Bit(s)	Name	Description
31:0	PGMADDR	<p>PGMADDR[31:0] specifies the addresses for a half-size DMA channel or virtual FIFO</p> <p>WRITE : address of the source/destination. READ : current address of the transfer.</p> <p>This address represents a source address if DIR in DMA_CON is set to 0, and represents a destination address if DIR in DMA_CON is set to 1. Before being able to program these register, the software should make sure that STR in DMA_n_START is set to '0', that is the DMA channel is stopped and disabled completely. Otherwise, the DMA channel may run out of order.</p>

83010908 DMA9 WPPT DMA CR4 Channel 9 Wrap Point Address Register 00000000

Bit	31	30	29	28	27	26	25	24	23	22	21	20	19	18	17	16
Name																
Type																
Reset																
Bit	15	14	13	12	11	10	9	8	7	6	5	4	3	2	1	0
Name	WPPT															
Type	RW															
Reset	0	0	0	0	0	0	0	0	0	0	0	0	0	0	0	0

Bit(s)	Name	Description
15:0	WPPT	WPPT[15:0] specifies the amount of the transfer count from start to jumping point for a DMA channel.

Bit(s)	Name	Description
		WRITE :Address of the jump point. READ :Value set by the programmer.

8301090C DMA9 WPTO **DMA CR4 Channel 9 Wrap To** **00000000**
Address Register

Bit	31	30	29	28	27	26	25	24	23	22	21	20	19	18	17	16
Name	WPTO															
Type	RW															
Reset	0	0	0	0	0	0	0	0	0	0	0	0	0	0	0	0
Bit	15	14	13	12	11	10	9	8	7	6	5	4	3	2	1	0
Name	WPTO															
Type	RW															
Reset	0	0	0	0	0	0	0	0	0	0	0	0	0	0	0	0

Bit(s)	Name	Description
31:0	WPTO	WPTO[31:0] specifies the address of the jump point for a DMA channel, i.e. channel. WRITE :Address of the jump destination. READ :Value set by the programmer.

83010910 DMA9 COUNT **DMA CR4 Channel 9 Transfer** **00000000**
Count Register

Bit	31	30	29	28	27	26	25	24	23	22	21	20	19	18	17	16
Name																
Type																
Reset																
Bit	15	14	13	12	11	10	9	8	7	6	5	4	3	2	1	0
Name	LEN															
Type	RW															
Reset	0	0	0	0	0	0	0	0	0	0	0	0	0	0	0	0

Bit(s)	Name	Description
15:0	LEN	The amount of total transfer count This register specifies the amount of total transfer count that the DMA channel is required to perform. Upon completion, the DMA channel generates an interrupt request to the processor while ITEN in DMA _n _CON is set as '1'. Note that the total size of data being transferred by a DMA channel is determined by LEN together with the SIZE in DMA _n _CON, i.e. LEN x SIZE.

83010914 DMA9_CON

DMA CR4 Channel 9 Control Register

03F00000

Bit	31	30	29	28	27	26	25	24	23	22	21	20	19	18	17	16
Name							MAS							DIR	WREN	WPSD
Type							RW							RW	RW	RW
Reset							1	1	1	1	1	1		0	0	0
Bit	15	14	13	12	11	10	9	8	7	6	5	4	3	2	1	0
Name	ITEN	TOKEN				BURST						B2W	DREQ	DIRNC	SIZE	
Type	RW	RW				RW						RW	RW	RW	RW	RW
Reset	0	0				0	0	0			0	0	0	0	0	0

Bit(s)	Name	Description
25:20	MAS	<p>Master selection. Specifies which master occupies this DMA channel. Once assigned to certain master, the corresponding DREQ and DACK are connected. For half-size and Virtual FIFO DMA channels, i.e. channels 3 ~ 25, a predefined address is assigned as well.</p> <p>Value Selected Master SADDR</p> <p>6'd0 : Don't Use</p> <p>6'd1 : Don't Use</p> <p>6'd2 : I2C-0 (HALF) TX 0x83090000</p> <p>6'd3 : I2C-0 (HALF) RX 0x83090000</p> <p>6'd4 : I2C-1 (HALF) TX 0x830A0000</p> <p>6'd5 : I2C-1 (HALF) RX 0x830A0000</p> <p>6'd6 : I2S/Audio (VFF) TX 0x22000000</p> <p>6'd7 : I2S/Audio (VFF) RX 0x22000000</p> <p>6'd8 : UART0(VFF) TX 0x83030000</p> <p>6'd9 : UART0(VFF) RX 0x83030000</p> <p>6'd10 : UART1(VFF) TX 0x83040000</p> <p>6'd11 : UART1(VFF) RX 0x83040000</p> <p>6'd12 : BTIF(VFF) TX 0x830E0000</p> <p>6'd13 : BTIF(VFF) RX 0x830E0000</p> <p>6'd14 : HIF(USB EP2I HALF) Tx 0x50310000</p> <p>6'd15 : HIF(USB EP2O VFF) Rx 0x50310004</p> <p>6'd16 : HIF(USB EP3I VFF) Tx 0x50310008</p> <p>6'd17 : HIF(USB EP3O VFF) Rx 0x5031000C</p> <p>6'd18 : HIF(USB EP4I VFF) Tx 0x50310010</p> <p>6'd19 : HIF(USB EP4O HALF) Rx 0x50310014</p> <p>6'd20 : ADC(VFF) RX 0x830D0000</p> <p>6'd21 : WIFI HIF(HALF) TRX 0x50201000</p> <p>6'd22 : not used 0x830B0000</p> <p>6'd23 : not used 0x830B0000</p> <p>6'd24~37 : VFF Data Port 0x79000m00</p> <p>*m is N-12</p> <p>other: reserved</p> <p>default :6'h3f</p> <p>SPI-M use full size channel</p> <p>If you use dma moving data from memory to memory (ex :full-size dma) , please select default value asyour master setting</p>
18	DIR	<p>Directions of DMA transfer for half-size and Virtual FIFO DMA channels, i.e. channels 3~25. The direction is from</p>

Bit(s)	Name	Description
17	WPEN	<p>the perspective of the DMA masters. WRITE means read from master device and then write to the address specified in DMA_PGMADDR, and vice versa.</p> <p>0 Read (read from system RAM and write to device) 1 Write (read from device and write to system RAM)</p> <p>Address-wrapping for ring buffer. The next address of DMA jumps to WRAP TO address when the current address matches WRAP POINT count.</p> <p>0 Disable 1 Enable</p>
16	WPSD	<p>No effect on channel 12~25 (Virtual FIFO).</p> <p>The side using address-wrapping function. Only one side of a DMA channel can activate address-wrapping function at a time.</p> <p>0 Address-wrapping on source . 1 Address-wrapping on destination.</p> <p>No effect on channel 12~25 (Virtual FIFO).</p>
15	ITEN	<p>DMA transfer completion interrupt enable.</p> <p>0 Disable 1 Enable</p>
14	TOEN	<p>DMA transfer timeout interrupt enable.</p> <p>0 Disable 1 Enable</p>
10:8	BURST	<p>No effect on channel 1~11 (Full and Half-size).</p> <p>Transfer Type. Burst-type transfers have better bus efficiency. Mass data movement is recommended to use this kind of transfer. However, note that burst-type transfer does not stop until all of the beats in a burst are completed or transfer length is reached. FIFO threshold of peripherals must be configured carefully while being used to move data from/to the peripherals.</p> <p>What transfer type can be used is restricted by the SIZE. If SIZE is 00b, i.e. byte transfer, all of the four transfer types can be used. If SIZE is 01b, i.e. half-word transfer, 16-beat incrementing burst cannot be used. If SIZE is 10b, i.e. word transfer, only single and 4-beat incrementing burst can be used.</p> <p>000 Single 001 Reserved 010 4-beat incrementing burst 011 Reserved 100 8-beat incrementing burst 101 Reserved 110 16-beat incrementing burst 111 Reserved</p>
5	B2W	<p>Word to Byte or Byte to Word transfer for the applications of transferring non-word-aligned-address data to word-aligned-address data. Note that BURST is set to 4-beat burst while enabling this function, and the SIZE is set to Byte.</p> <p>NO effect on channel 1 , 2, 12-25</p> <p>0 Disable 1 Enable</p>
4	DREQ	<p>Throttle and handshake control for DMA transfer</p> <p>0 No throttle control during DMA transfer or transfers occurred only between memories 1 Hardware handshake management</p> <p>The DMA master is able to throttle down the transfer rate by way of request-grant handshake.</p>

Bit(s)	Name	Description
		MAS Selected Master suggest DREQ setting
		6'd2 : I2C-0 (HALF) TX 1
		6'd3 : I2C-0 (HALF) RX 1
		6'd4 : I2C-1 (HALF) TX 1
		6'd5 : I2C-1 (HALF) RX 1
		6'd14 : HIF(USB EP2I HALF) Tx 1
		6'd19 : HIF(USB EP4O HALF) Rx 1
		6'd21 : WIFI HIF(HALF) TRX 0
3	DINC	Incremental destination address. Destination addresses increase every transfer. If the setting of SIZE is Byte, Destination addresses increase by 1 every single transfer. If Half-Word, increase by 2; and if Word, increase by 4. 0 Disable 1 Enable No effect on channel 12~25 (Virtual FIFO). Destination address is the master fixed address for read(TX) or the Virtual FIFO write pointer for write(RX)
2	SINC	Incremental source address. Source addresses increase every transfer. If the setting of SIZE is Byte, Source addresses increase by 1 every single transfer. If Half-Word, increase by 2; and if Word, increase by 4. 0 Disable 1 Enable No effect on channel 12~25 (Virtual FIFO). Source address is the Virtual FIFO read pointer for read(TX) or the master fixed address for write(RX).
1:0	SIZE	Data size within the confine of a bus cycle per transfer. These bits confines the data transfer size between source and destination to the specified value for individual bus cycle. The size is in terms of byte and has maximum value of 4 bytes. It is mainly decided by the data width of a DMA master. 00 Byte transfer/1 byte 01 Half-word transfer/2 bytes 10 Word transfer/4 bytes 11 Reserved

83010918 DMA9 START DMA CR4 Channel 9 Start Register 00000000

Bit	31	30	29	28	27	26	25	24	23	22	21	20	19	18	17	16
Name																
Type																
Reset																
Bit	15	14	13	12	11	10	9	8	7	6	5	4	3	2	1	0
Name	STR															
Type	RW															
Reset	0															

Bit(s)	Name	Description
15	STR	Start control for a DMA channel.

Bit(s)	Name	Description
		0 The DMA channel is stopped. 1 The DMA channel is started and running.

8301091C DMA9_INTSTA DMA CR4 Channel 9 Interrupt Status Register 00000000

Bit	31	30	29	28	27	26	25	24	23	22	21	20	19	18	17	16
Name																TOINT
Type																RO
Reset																0
Bit	15	14	13	12	11	10	9	8	7	6	5	4	3	2	1	0
Name	INT															
Type	RO															
Reset	0															

Bit(s)	Name	Description
16	TOINT	Timeout Interrupt Status for DMA Channel 0 No interrupt request is generated. 1 One interrupt request is pending and waiting for service.
15	INT	Interrupt Status for DMA Channel 0 No interrupt request is generated. 1 One interrupt request is pending and waiting for service.

83010920 DMA9_ACKINT DMA CR4 Channel 9 Interrupt Acknowledge Register 00000000

Bit	31	30	29	28	27	26	25	24	23	22	21	20	19	18	17	16
Name																TOACK
Type																WO
Reset																0
Bit	15	14	13	12	11	10	9	8	7	6	5	4	3	2	1	0
Name	ACK															
Type	WO															
Reset	0															

Bit(s)	Name	Description
16	TOACK	TOACK Timeout Interrupt acknowledge for the DMA channel 0 No effect 1 Interrupt request is acknowledged and should be relinquished.

Bit(s)	Name	Description
15	ACK	No effect on channel 1~11 (Full and Half-size). ACK Interrupt acknowledge for the DMA channel 0 No effect 1 Interrupt request is acknowledged and should be relinquished.

83010924 DMA9 RLCT **DMA CR4 Channel 9 Remaining Length of Current Transfer** **00000000**

Bit	31	30	29	28	27	26	25	24	23	22	21	20	19	18	17	16
Name																
Type																
Reset																
Bit	15	14	13	12	11	10	9	8	7	6	5	4	3	2	1	0
Name	RLCT															
Type	RO															
Reset	0	0	0	0	0	0	0	0	0	0	0	0	0	0	0	0

Bit(s)	Name	Description
15:0	RLCT	This register is to reflect the left amount of the transfer.

83010928 DMA9 LIMITER **DMA CR4 Channel 9 Bandwidth Limiter Register** **00000000**

Bit	31	30	29	28	27	26	25	24	23	22	21	20	19	18	17	16
Name																
Type																
Reset																
Bit	15	14	13	12	11	10	9	8	7	6	5	4	3	2	1	0
Name									LIMITER							
Type									RW							
Reset									0	0	0	0	0	0	0	0

Bit(s)	Name	Description
7:0	LIMITER	from 0 to 255. 0 means no limitation, 255 means totally banned, and others mean Bus access permission every (4 X n) AHB clock

8301092C DMA9 PGMADDR **DMA CR4 Channel 9 Programmable Address Register** **00000000**

Bit	31	30	29	28	27	26	25	24	23	22	21	20	19	18	17	16
Name	PGMADDR															
Type	RW															
Reset	0	0	0	0	0	0	0	0	0	0	0	0	0	0	0	0
Bit	15	14	13	12	11	10	9	8	7	6	5	4	3	2	1	0
Name	PGMADDR															
Type	RW															
Reset	0	0	0	0	0	0	0	0	0	0	0	0	0	0	0	0

Bit(s)	Name	Description
31:0	PGMADDR	<p>PGMADDR[31:0] specifies the addresses for a half-size DMA channel or virtual FIFO</p> <p>WRITE : address of the source/destination. READ : current address of the transfer.</p> <p>This address represents a source address if DIR in DMA_CON is set to 0, and represents a destination address if DIR in DMA_CON is set to 1. Before being able to program these register, the software should make sure that STR in DMAn_START is set to '0', that is the DMA channel is stopped and disabled completely. Otherwise, the DMA channel may run out of order.</p>

83010A08 DMA10 WPPT DMA CR4 Channel 10 Wrap Point Address Register 00000000

Bit	31	30	29	28	27	26	25	24	23	22	21	20	19	18	17	16
Name																
Type																
Reset																
Bit	15	14	13	12	11	10	9	8	7	6	5	4	3	2	1	0
Name	WPPT															
Type	RW															
Reset	0	0	0	0	0	0	0	0	0	0	0	0	0	0	0	0

Bit(s)	Name	Description
15:0	WPPT	<p>WPPT[15:0] specifies the amount of the transfer count from start to jumping point for a DMA channel.</p> <p>WRITE :Address of the jump point. READ :Value set by the programmer.</p>

83010A0C DMA10 WPTO DMA CR4 Channel 10 Wrap To Address Register 00000000

Bit	31	30	29	28	27	26	25	24	23	22	21	20	19	18	17	16
------------	----	----	----	----	----	----	----	----	----	----	----	----	----	----	----	----

Name	WPTO															
Type	RW															
Reset	0	0	0	0	0	0	0	0	0	0	0	0	0	0	0	0
Bit	15	14	13	12	11	10	9	8	7	6	5	4	3	2	1	0
Name	WPTO															
Type	RW															
Reset	0	0	0	0	0	0	0	0	0	0	0	0	0	0	0	0

Bit(s)	Name	Description
31:0	WPTO	WPTO[31:0] specifies the address of the jump point for a DMA channel, i.e. channel. WRITE :Address of the jump destination. READ :Value set by the programmer.

83010A10 DMA10 COUNT DMA CR4 Channel 10 Transfer Count Register 00000000

Bit	31	30	29	28	27	26	25	24	23	22	21	20	19	18	17	16
Name																
Type																
Reset																
Bit	15	14	13	12	11	10	9	8	7	6	5	4	3	2	1	0
Name	LEN															
Type	RW															
Reset	0	0	0	0	0	0	0	0	0	0	0	0	0	0	0	0

Bit(s)	Name	Description
15:0	LEN	The amount of total transfer count This register specifies the amount of total transfer count that the DMA channel is required to perform. Upon completion, the DMA channel generates an interrupt request to the processor while ITEN in DMA _n _CON is set as '1'. Note that the total size of data being transferred by a DMA channel is determined by LEN together with the SIZE in DMA _n _CON, i.e. LEN x SIZE.

83010A14 DMA10 CON DMA CR4 Channel 10 Control Register 03F00000

Bit	31	30	29	28	27	26	25	24	23	22	21	20	19	18	17	16
Name							MAS							DI R	WP EN	WP SD
Type							RW							RW	RW	RW
Reset							1	1	1	1	1	1		0	0	0

Bit	15	14	13	12	11	10	9	8	7	6	5	4	3	2	1	0
Name	ITEN	TOEN				BURST					B2W	DREQ	DI NC	SIN C	SIZE	
Type	RW	RW				RW					RW	RW	RW	RW	RW	
Reset	0	0				0	0	0			0	0	0	0	0	0

Bit(s)	Name	Description
25:20	MAS	<p>Master selection. Specifies which master occupies this DMA channel. Once assigned to certain master, the corresponding DREQ and DACK are connected. For half-size and Virtual FIFO DMA channels, i.e. channels 3 ~ 25, a predefined address is assigned as well.</p> <p>Value Selected Master SADDR</p> <p>6'd0 : Don't Use</p> <p>6'd1 : Don't Use</p> <p>6'd2 : I2C-0 (HALF) TX 0x83090000</p> <p>6'd3 : I2C-0 (HALF) RX 0x83090000</p> <p>6'd4 : I2C-1 (HALF) TX 0x830A0000</p> <p>6'd5 : I2C-1 (HALF) RX 0x830A0000</p> <p>6'd6 : I2S/Audio (VFF) TX 0x22000000</p> <p>6'd7 : I2S/Audio (VFF) RX 0x22000000</p> <p>6'd8 : UART0(VFF) TX 0x83030000</p> <p>6'd9 : UART0(VFF) RX 0x83030000</p> <p>6'd10 : UART1(VFF) TX 0x83040000</p> <p>6'd11 : UART1(VFF) RX 0x83040000</p> <p>6'd12 : BTIF(VFF) TX 0x830E0000</p> <p>6'd13 : BTIF(VFF) RX 0x830E0000</p> <p>6'd14 : HIF(USB EP2I HALF) Tx 0x50310000</p> <p>6'd15 : HIF(USB EP2O VFF) Rx 0x50310004</p> <p>6'd16 : HIF(USB EP3I VFF) Tx 0x50310008</p> <p>6'd17 : HIF(USB EP3O VFF) Rx 0x5031000C</p> <p>6'd18 : HIF(USB EP4I VFF) Tx 0x50310010</p> <p>6'd19 : HIF(USB EP4O HALF) Rx 0x50310014</p> <p>6'd20 : ADC(VFF) RX 0x830D0000</p> <p>6'd21 : WIFI HIF(HALF) TRX 0x50201000</p> <p>6'd22 : not used 0x830B0000</p> <p>6'd23 : not used 0x830B0000</p> <p>6'd24~37 : VFF Data Port 0x79000m00</p> <p>*m is N-12</p> <p>other: reserved</p> <p>default :6'h3f</p> <p>SPI-M use full size channel</p> <p>If you use dma moving data from memory to memory (ex :full-size dma) , please select default value asyour master setting</p>
18	DIR	<p>Directions of DMA transfer for half-size and Virtual FIFO DMA channels, i.e. channels 3~25. The direction is from the perspective of the DMA masters. WRITE means read from master device and then write to the address specified in DMA_PGMADDR, and vice versa.</p> <p>0 Read (read from system RAM and write to device)</p> <p>1 Write (read from device and write to system RAM)</p>
17	WPEN	<p>Address-wrapping for ring buffer. The next address of DMA jumps to</p> <p>WRAP TO address when the current address matches WRAP POINT</p> <p>count.</p>

Bit(s)	Name	Description
16	WPSD	<p>0 Disable 1 Enable No effect on channel 12~25 (Virtual FIFO). The side using address-wrapping function. Only one side of a DMA channel can activate address-wrapping function at a time. 0 Address-wrapping on source . 1 Address-wrapping on destination.</p>
15	ITEN	<p>No effect on channel 12~25 (Virtual FIFO). DMA transfer completion interrupt enable. 0 Disable 1 Enable</p>
14	TOEN	<p>DMA transfer timeout interrupt enable. 0 Disable 1 Enable</p>
10:8	BURST	<p>No effect on channel 1~11 (Full and Half-size). Transfer Type. Burst-type transfers have better bus efficiency. Mass data movement is recommended to use this kind of transfer. However, note that burst-type transfer does not stop until all of the beats in a burst are completed or transfer length is reached. FIFO threshold of peripherals must be configured carefully while being used to move data from/to the peripherals. What transfer type can be used is restricted by the SIZE. If SIZE is 00b, i.e. byte transfer, all of the four transfer types can be used. If SIZE is 01b, i.e. half-word transfer, 16-beat incrementing burst cannot be used. If SIZE is 10b, i.e. word transfer, only single and 4-beat incrementing burst can be used. For fool-proofing mechanism, when 16-beat incrementing burst is applied for word transfer, actually only 4 beats are sent. 3'b000 Single 3'b001 Reserved 3'b010 4-beat incrementing burst 3'b011 Reserved 3'b100 8-beat incrementing burst 3'b101 Reserved 3'b110 16-beat incrementing burst 3'b111 Reserved</p>
5	B2W	<p>No effect on channel 12~25 (Virtual FIFO) Word to Byte or Byte to Word transfer for the applications of transferring non-word-aligned-address data to word-aligned-address data. Note that BURST is set to 4-beat burst while enabling this function, and the SIZE is set to Byte. NO effect on channel 1 , 2, 12-25 0 Disable 1 Enable</p>
4	DREQ	<p>Throttle and handshake control for DMA transfer 0 No throttle control during DMA transfer or transfers occurred only between memories 1 Hardware handshake management The DMA master is able to throttle down the transfer rate by way of request-grant handshake. MAS Selected Master suggest DREQ setting 6'd2 : I2C-o (HALF) TX 1 6'd3 : I2C-o (HALF) RX 1</p>

Bit(s)	Name	Description
6'd4		: I2C-1 (HALF) TX 1
6'd5		: I2C-1 (HALF) RX 1
6'd14		: HIF(USB EP2I HALF) Tx 1
6'd19		: HIF(USB EP4O HALF) Rx 1
6'd21		: WIFI HIF(HALF) TRX 0
3	DINC	Incremental destination address. Destination addresses increase every transfer. If the setting of SIZE is Byte, Destination addresses increase by 1 every single transfer. If Half-Word, increase by 2; and if Word, increase by 4. 0 Disable 1 Enable No effect on channel 12~25 (Virtual FIFO). Destination address is the master fixed address for read(TX) or the Virtual FIFO write pointer for write(RX)
2	SINC	Incremental source address. Source addresses increase every transfer. If the setting of SIZE is Byte, Source addresses increase by 1 every single transfer. If Half-Word, increase by 2; and if Word, increase by 4. 0 Disable 1 Enable No effect on channel 12~25 (Virtual FIFO). Source address is the Virtual FIFO read pointer for read(TX) or the master fixed address for write(RX).
1:0	SIZE	Data size within the confine of a bus cycle per transfer. These bits confines the data transfer size between source and destination to the specified value for individual bus cycle. The size is in terms of byte and has maximum value of 4 bytes. It is mainly decided by the data width of a DMA master. 00 Byte transfer/1 byte 01 Half-word transfer/2 bytes 10 Word transfer/4 bytes 11 Reserved

83010A18 DMA10 START DMA CR4 Channel 10 Start Register 00000000

Bit	31	30	29	28	27	26	25	24	23	22	21	20	19	18	17	16
Name																
Type																
Reset																
Bit	15	14	13	12	11	10	9	8	7	6	5	4	3	2	1	0
Name	STR															
Type	RW															
Reset	0															

Bit(s)	Name	Description
15	STR	Start control for a DMA channel. 0 The DMA channel is stopped. 1 The DMA channel is started and running.

83010A1C DMA10 INTSTA DMA CR4 Channel 10 Interrupt Status Register 00000000

Bit	31	30	29	28	27	26	25	24	23	22	21	20	19	18	17	16
Name																TOINT
Type																RO
Reset																0
Bit	15	14	13	12	11	10	9	8	7	6	5	4	3	2	1	0
Name	INT															
Type	RO															
Reset	0															

Bit(s)	Name	Description
16	TOINT	Timeout Interrupt Status for DMA Channel 0 No interrupt request is generated. 1 One interrupt request is pending and waiting for service.
15	INT	Interrupt Status for DMA Channel 0 No interrupt request is generated. 1 One interrupt request is pending and waiting for service.

83010A20 DMA10 ACKINT DMA CR4 Channel 10 Interrupt Acknowledge Register 00000000

Bit	31	30	29	28	27	26	25	24	23	22	21	20	19	18	17	16
Name																TOACK
Type																WO
Reset																0
Bit	15	14	13	12	11	10	9	8	7	6	5	4	3	2	1	0
Name	ACK															
Type	WO															
Reset	0															

Bit(s)	Name	Description
16	TOACK	TOACK Timeout Interrupt acknowledge for the DMA channel 0 No effect 1 Interrupt request is acknowledged and should be relinquished.
15	ACK	ACK Interrupt acknowledge for the DMA channel 0 No effect 1 Interrupt request is acknowledged and should be relinquished.

Bit(s)	Name	Description
--------	------	-------------

83010A24 DMA10 RLCT **DMA CR4 Channel 10 Remaining Length of Current Transfer** **00000000**

Bit	31	30	29	28	27	26	25	24	23	22	21	20	19	18	17	16
Name																
Type																
Reset																
Bit	15	14	13	12	11	10	9	8	7	6	5	4	3	2	1	0
Name	RLCT															
Type	RO															
Reset	0	0	0	0	0	0	0	0	0	0	0	0	0	0	0	0

Bit(s)	Name	Description
15:0	RLCT	This register is to reflect the left amount of the transfer.

83010A28 DMA10 LIMITER **DMA CR4 Channel 10 Bandwidth Limiter Register** **00000000**

Bit	31	30	29	28	27	26	25	24	23	22	21	20	19	18	17	16
Name																
Type																
Reset																
Bit	15	14	13	12	11	10	9	8	7	6	5	4	3	2	1	0
Name									LIMITER							
Type									RW							
Reset									0	0	0	0	0	0	0	0

Bit(s)	Name	Description
7:0	LIMITER	from 0 to 255. 0 means no limitation, 255 means totally banned, and others mean Bus access permission every (4 X n) AHB clock

83010A2C DMA10 PGMADDR **DMA CR4 Channel 10 Programmable Address Register** **00000000**

Bit	31	30	29	28	27	26	25	24	23	22	21	20	19	18	17	16
Name	PGMADDR															

Type	RW															
Reset	0	0	0	0	0	0	0	0	0	0	0	0	0	0	0	0
Bit	15	14	13	12	11	10	9	8	7	6	5	4	3	2	1	0
Name	PGMADDR															
Type	RW															
Reset	0	0	0	0	0	0	0	0	0	0	0	0	0	0	0	0

Bit(s)	Name	Description
31:0	PGMADDR	<p>PGMADDR[31:0] specifies the addresses for a half-size DMA channel or virtual FIFO</p> <p>WRITE : address of the source/destination. READ : current address of the transfer.</p> <p>This address represents a source address if DIR in DMA_CON is set to 0, and represents a destination address if DIR in DMA_CON is set to 1. Before being able to program these register, the software should make sure that STR in DMA_n_START is set to '0', that is the DMA channel is stopped and disabled completely. Otherwise, the DMA channel may run out of order.</p>

83010B08 DMA11 WPPT DMA CR4 Channel 11 Wrap Point Address Register 00000000

Bit	31	30	29	28	27	26	25	24	23	22	21	20	19	18	17	16
Name																
Type																
Reset																
Bit	15	14	13	12	11	10	9	8	7	6	5	4	3	2	1	0
Name	WPPT															
Type	RW															
Reset	0	0	0	0	0	0	0	0	0	0	0	0	0	0	0	0

Bit(s)	Name	Description
15:0	WPPT	<p>WPPT[15:0] specifies the amount of the transfer count from start to jumping point for a DMA channel.</p> <p>WRITE :Address of the jump point. READ :Value set by the programmer.</p>

83010B0C DMA11 WPTO DMA CR4 Channel 11 Wrap To Address Register 00000000

Bit	31	30	29	28	27	26	25	24	23	22	21	20	19	18	17	16
Name	WPTO															
Type	RW															

Reset	0	0	0	0	0	0	0	0	0	0	0	0	0	0	0	0
Bit	15	14	13	12	11	10	9	8	7	6	5	4	3	2	1	0
Name	WPTO															
Type	RW															
Reset	0	0	0	0	0	0	0	0	0	0	0	0	0	0	0	0

Bit(s)	Name	Description
31:0	WPTO	WPTO[31:0] specifies the address of the jump point for a DMA channel, i.e. channel. WRITE :Address of the jump destination. READ :Value set by the programmer.

83010B10 DMA11 COUNT **DMA CR4 Channel 11 Transfer** **00000000**
Count Register

Bit	31	30	29	28	27	26	25	24	23	22	21	20	19	18	17	16
Name	LEN															
Type	RW															
Reset	0	0	0	0	0	0	0	0	0	0	0	0	0	0	0	0
Bit	15	14	13	12	11	10	9	8	7	6	5	4	3	2	1	0
Name	LEN															
Type	RW															
Reset	0	0	0	0	0	0	0	0	0	0	0	0	0	0	0	0

Bit(s)	Name	Description
15:0	LEN	The amount of total transfer count This register specifies the amount of total transfer count that the DMA channel is required to perform. Upon completion, the DMA channel generates an interrupt request to the processor while ITEN in DMA _n _CON is set as '1'. Note that the total size of data being transferred by a DMA channel is determined by LEN together with the SIZE in DMA _n _CON, i.e. LEN x SIZE.

83010B14 DMA11 CON **DMA CR4 Channel 11 Control** **03F00000**
Register

Bit	31	30	29	28	27	26	25	24	23	22	21	20	19	18	17	16
Name							MAS						DI R	WP EN	WP SD	
Type							RW						RW	RW	RW	
Reset							1	1	1	1	1	1		0	0	0
Bit	15	14	13	12	11	10	9	8	7	6	5	4	3	2	1	0
Name	ITEN	TOEN					BURST				B2W	DR EQ	DI NC	SIN C	SIZE	

e															
Type	RW	RW				RW					RW	RW	RW	RW	RW
Reset	0	0				0	0	0			0	0	0	0	0

Bit(s)	Name	Description																																																																														
25:20	MAS	<p>Master selection. Specifies which master occupies this DMA channel. Once assigned to certain master, the corresponding DREQ and DACK are connected. For half-size and Virtual FIFO DMA channels, i.e. channels 3 ~ 25, a predefined address is assigned as well.</p> <table border="0"> <tr> <td>Value</td> <td>Selected Master</td> <td>SADDR</td> </tr> <tr> <td>6'd0</td> <td>: Don't Use</td> <td></td> </tr> <tr> <td>6'd1</td> <td>: Don't Use</td> <td></td> </tr> <tr> <td>6'd2</td> <td>: I2C-0 (HALF) TX</td> <td>0x83090000</td> </tr> <tr> <td>6'd3</td> <td>: I2C-0 (HALF) RX</td> <td>0x83090000</td> </tr> <tr> <td>6'd4</td> <td>: I2C-1 (HALF) TX</td> <td>0x830A0000</td> </tr> <tr> <td>6'd5</td> <td>: I2C-1 (HALF) RX</td> <td>0x830A0000</td> </tr> <tr> <td>6'd6</td> <td>: I2S/Audio (VFF) TX</td> <td>0x22000000</td> </tr> <tr> <td>6'd7</td> <td>: I2S/Audio (VFF) RX</td> <td>0x22000000</td> </tr> <tr> <td>6'd8</td> <td>: UART0(VFF) TX</td> <td>0x83030000</td> </tr> <tr> <td>6'd9</td> <td>: UART0(VFF) RX</td> <td>0x83030000</td> </tr> <tr> <td>6'd10</td> <td>: UART1(VFF) TX</td> <td>0x83040000</td> </tr> <tr> <td>6'd11</td> <td>: UART1(VFF) RX</td> <td>0x83040000</td> </tr> <tr> <td>6'd12</td> <td>: BTIF(VFF) TX</td> <td>0x830E0000</td> </tr> <tr> <td>6'd13</td> <td>: BTIF(VFF) RX</td> <td>0x830E0000</td> </tr> <tr> <td>6'd14</td> <td>: HIF(USB EP2I HALF) Tx</td> <td>0x50310000</td> </tr> <tr> <td>6'd15</td> <td>: HIF(USB EP2O VFF) Rx</td> <td>0x50310004</td> </tr> <tr> <td>6'd16</td> <td>: HIF(USB EP3I VFF) Tx</td> <td>0x50310008</td> </tr> <tr> <td>6'd17</td> <td>: HIF(USB EP3O VFF) Rx</td> <td>0x5031000C</td> </tr> <tr> <td>6'd18</td> <td>: HIF(USB EP4I VFF) Tx</td> <td>0x50310010</td> </tr> <tr> <td>6'd19</td> <td>: HIF(USB EP4O HALF) Rx</td> <td>0x50310014</td> </tr> <tr> <td>6'd20</td> <td>: ADC(VFF) RX</td> <td>0x830D0000</td> </tr> <tr> <td>6'd21</td> <td>: WIFI HIF(HALF) TRX</td> <td>0x50201000</td> </tr> <tr> <td>6'd22</td> <td>: not used</td> <td>0x830B0000</td> </tr> <tr> <td>6'd23</td> <td>: not used</td> <td>0x830B0000</td> </tr> <tr> <td>6'd24~37</td> <td>: VFF Data Port</td> <td>0x79000m00</td> </tr> </table> <p>*m is N-12 other: reserved default :6'h3f SPI-M use full size channel If you use dma moving data from memory to memory (ex :full-size dma) , please select default value asyour master setting</p>	Value	Selected Master	SADDR	6'd0	: Don't Use		6'd1	: Don't Use		6'd2	: I2C-0 (HALF) TX	0x83090000	6'd3	: I2C-0 (HALF) RX	0x83090000	6'd4	: I2C-1 (HALF) TX	0x830A0000	6'd5	: I2C-1 (HALF) RX	0x830A0000	6'd6	: I2S/Audio (VFF) TX	0x22000000	6'd7	: I2S/Audio (VFF) RX	0x22000000	6'd8	: UART0(VFF) TX	0x83030000	6'd9	: UART0(VFF) RX	0x83030000	6'd10	: UART1(VFF) TX	0x83040000	6'd11	: UART1(VFF) RX	0x83040000	6'd12	: BTIF(VFF) TX	0x830E0000	6'd13	: BTIF(VFF) RX	0x830E0000	6'd14	: HIF(USB EP2I HALF) Tx	0x50310000	6'd15	: HIF(USB EP2O VFF) Rx	0x50310004	6'd16	: HIF(USB EP3I VFF) Tx	0x50310008	6'd17	: HIF(USB EP3O VFF) Rx	0x5031000C	6'd18	: HIF(USB EP4I VFF) Tx	0x50310010	6'd19	: HIF(USB EP4O HALF) Rx	0x50310014	6'd20	: ADC(VFF) RX	0x830D0000	6'd21	: WIFI HIF(HALF) TRX	0x50201000	6'd22	: not used	0x830B0000	6'd23	: not used	0x830B0000	6'd24~37	: VFF Data Port	0x79000m00
Value	Selected Master	SADDR																																																																														
6'd0	: Don't Use																																																																															
6'd1	: Don't Use																																																																															
6'd2	: I2C-0 (HALF) TX	0x83090000																																																																														
6'd3	: I2C-0 (HALF) RX	0x83090000																																																																														
6'd4	: I2C-1 (HALF) TX	0x830A0000																																																																														
6'd5	: I2C-1 (HALF) RX	0x830A0000																																																																														
6'd6	: I2S/Audio (VFF) TX	0x22000000																																																																														
6'd7	: I2S/Audio (VFF) RX	0x22000000																																																																														
6'd8	: UART0(VFF) TX	0x83030000																																																																														
6'd9	: UART0(VFF) RX	0x83030000																																																																														
6'd10	: UART1(VFF) TX	0x83040000																																																																														
6'd11	: UART1(VFF) RX	0x83040000																																																																														
6'd12	: BTIF(VFF) TX	0x830E0000																																																																														
6'd13	: BTIF(VFF) RX	0x830E0000																																																																														
6'd14	: HIF(USB EP2I HALF) Tx	0x50310000																																																																														
6'd15	: HIF(USB EP2O VFF) Rx	0x50310004																																																																														
6'd16	: HIF(USB EP3I VFF) Tx	0x50310008																																																																														
6'd17	: HIF(USB EP3O VFF) Rx	0x5031000C																																																																														
6'd18	: HIF(USB EP4I VFF) Tx	0x50310010																																																																														
6'd19	: HIF(USB EP4O HALF) Rx	0x50310014																																																																														
6'd20	: ADC(VFF) RX	0x830D0000																																																																														
6'd21	: WIFI HIF(HALF) TRX	0x50201000																																																																														
6'd22	: not used	0x830B0000																																																																														
6'd23	: not used	0x830B0000																																																																														
6'd24~37	: VFF Data Port	0x79000m00																																																																														
18	DIR	<p>Directions of DMA transfer for half-size and Virtual FIFO DMA channels, i.e. channels 3~25. The direction is from the perspective of the DMA masters. WRITE means read from master device and then write to the address specified in DMA_PGMADDR, and vice versa. 0 Read (read from system RAM and write to device) 1 Write (read from device and write to system RAM)</p>																																																																														
17	WPEN	<p>Address-wrapping for ring buffer. The next address of DMA jumps to WRAP TO address when the current address matches WRAP POINT count. 0 Disable 1 Enable No effect on channel 12~25 (Virtual FIFO).</p>																																																																														

Bit(s)	Name	Description
16	WPSD	The side using address-wrapping function. Only one side of a DMA channel can activate address-wrapping function at a time. 0 Address-wrapping on source . 1 Address-wrapping on destination. No effect on channel 12~25 (Virtual FIFO).
15	ITEN	DMA transfer completion interrupt enable. 0 Disable 1 Enable
14	TOEN	DMA transfer timeout interrupt enable. 0 Disable 1 Enable
10:8	BURST	No effect on channel 1~11 (Full and Half-size). Transfer Type. Burst-type transfers have better bus efficiency. Mass data movement is recommended to use this kind of transfer. However, note that burst-type transfer does not stop until all of the beats in a burst are completed or transfer length is reached. FIFO threshold of peripherals must be configured carefully while being used to move data from/to the peripherals. What transfer type can be used is restricted by the SIZE. If SIZE is 00b, i.e. byte transfer, all of the four transfer types can be used. If SIZE is 01b, i.e. half-word transfer, 16-beat incrementing burst cannot be used. If SIZE is 10b, i.e. word transfer, only single and 4-beat incrementing burst can be used. For fool-proofing mechanism, when 16-beat incrementing burst is applied for word transfer, actually only 4 beats are sent. 3'b000 Single 3'b001 Reserved 3'b010 4-beat incrementing burst 3'b011 Reserved 3'b100 8-beat incrementing burst 3'b101 Reserved 3'b110 16-beat incrementing burst 3'b111 Reserved No effect on channel 12~25 (Virtual FIFO)
5	B2W	Word to Byte or Byte to Word transfer for the applications of transferring non-word-aligned-address data to word-aligned-address data. Note that BURST is set to 4-beat burst while enabling this function, and the SIZE is set to Byte. NO effect on channel 1 , 2, 12-25 0 Disable 1 Enable
4	DREQ	Throttle and handshake control for DMA transfer 0 No throttle control during DMA transfer or transfers occurred only between memories 1 Hardware handshake management The DMA master is able to throttle down the transfer rate by way of request-grant handshake. MAS Selected Master suggest DREQ setting 6'd2 : I2C-0 (HALF) TX 1 6'd3 : I2C-0 (HALF) RX 1 6'd4 : I2C-1 (HALF) TX 1 6'd5 : I2C-1 (HALF) RX 1 6'd14 : HIF(USB EP2I HALF) Tx 1

Bit(s)	Name	Description
3	DINC	6'd19 : HIF(USB EP4O HALF) Rx 1 6'd21 : WIFI HIF(HALF) TRX 0 Incremental destination address. Destination addresses increase every transfer. If the setting of SIZE is Byte, Destination addresses increase by 1 every single transfer. If Half-Word, increase by 2; and if Word, increase by 4. 0 Disable 1 Enable No effect on channel 12~25 (Virtual FIFO). Destination address is the master fixed address for read(TX) or the Virtual FIFO write pointer for write(RX)
2	SINC	Incremental source address. Source addresses increase every transfer. If the setting of SIZE is Byte, Source addresses increase by 1 every single transfer. If Half-Word, increase by 2; and if Word, increase by 4. 0 Disable 1 Enable No effect on channel 12~25 (Virtual FIFO). Source address is the Virtual FIFO read pointer for read(TX) or the master fixed address for write(RX).
1:0	SIZE	Data size within the confine of a bus cycle per transfer. These bits confines the data transfer size between source and destination to the specified value for individual bus cycle. The size is in terms of byte and has maximum value of 4 bytes. It is mainly decided by the data width of a DMA master. 00 Byte transfer/1 byte 01 Half-word transfer/2 bytes 10 Word transfer/4 bytes 11 Reserved

83010B18 DMA11 START DMA CR4 Channel 11 Start Register 00000000

Bit	31	30	29	28	27	26	25	24	23	22	21	20	19	18	17	16
Name																
Type																
Reset																
Bit	15	14	13	12	11	10	9	8	7	6	5	4	3	2	1	0
Name	STR															
Type	RW															
Reset	0															

Bit(s)	Name	Description
15	STR	Start control for a DMA channel. 0 The DMA channel is stopped. 1 The DMA channel is started and running.

83010B1C DMA11 INTSTA
DMA CR4 Channel 11 Interrupt Status Register
00000000

Bit	31	30	29	28	27	26	25	24	23	22	21	20	19	18	17	16
Name																TOINT
Type																RO
Reset																0
Bit	15	14	13	12	11	10	9	8	7	6	5	4	3	2	1	0
Name	INT															
Type	RO															
Reset	0															

Bit(s)	Name	Description
16	TOINT	Timeout Interrupt Status for DMA Channel 0 No interrupt request is generated. 1 One interrupt request is pending and waiting for service. No effect on channel 1~11 (Full and Half-size).
15	INT	Interrupt Status for DMA Channel 0 No interrupt request is generated. 1 One interrupt request is pending and waiting for service.

83010B20 DMA11 ACKINT
DMA CR4 Channel 11 Interrupt Acknowledge Register
00000000

Bit	31	30	29	28	27	26	25	24	23	22	21	20	19	18	17	16
Name																TOACK
Type																WO
Reset																0
Bit	15	14	13	12	11	10	9	8	7	6	5	4	3	2	1	0
Name	ACK															
Type	WO															
Reset	0															

Bit(s)	Name	Description
16	TOACK	TOACK Timeout Interrupt acknowledge for the DMA channel 0 No effect 1 Interrupt request is acknowledged and should be relinquished. No effect on channel 1~11 (Full and Half-size).
15	ACK	ACK Interrupt acknowledge for the DMA channel 0 No effect 1 Interrupt request is acknowledged and should be relinquished.

83010B24 DMA11 RLCT DMA CR4 Channel 11 Remaining Length of Current Transfer 00000000

Bit	31	30	29	28	27	26	25	24	23	22	21	20	19	18	17	16
Name																
Type																
Reset																
Bit	15	14	13	12	11	10	9	8	7	6	5	4	3	2	1	0
Name	RLCT															
Type	RO															
Reset	0	0	0	0	0	0	0	0	0	0	0	0	0	0	0	0

Bit(s)	Name	Description
15:0	RLCT	This register is to reflect the left amount of the transfer.

83010B28 DMA11 LIMITER DMA CR4 Channel 11 Bandwidth Limiter Register 00000000

Bit	31	30	29	28	27	26	25	24	23	22	21	20	19	18	17	16
Name																
Type																
Reset																
Bit	15	14	13	12	11	10	9	8	7	6	5	4	3	2	1	0
Name									LIMITER							
Type									RW							
Reset									0	0	0	0	0	0	0	0

Bit(s)	Name	Description
7:0	LIMITER	from 0 to 255. 0 means no limitation, 255 means totally banned, and others mean Bus access permission every (4 X n) AHB clock

83010B2C DMA11 PGMADDR DMA CR4 Channel 11 Programmable Address Register 00000000

Bit	31	30	29	28	27	26	25	24	23	22	21	20	19	18	17	16
Name	PGMADDR															
Type	RW															
Reset	0	0	0	0	0	0	0	0	0	0	0	0	0	0	0	0
Bit	15	14	13	12	11	10	9	8	7	6	5	4	3	2	1	0
Name	PGMADDR															

e																
Type	RW															
Reset	0	0	0	0	0	0	0	0	0	0	0	0	0	0	0	0

Bit(s)	Name	Description
31:0	PGMADDR	PGMADDR[31:0] specifies the addresses for a half-size DMA channel or virtual FIFO WRITE : address of the source/destination. READ : current address of the transfer. This address represents a source address if DIR in DMA_CON is set to 0, and represents a destination address if DIR in DMA_CON is set to 1. Before being able to program these register, the software should make sure that STR in DMA _n _START is set to '0', that is the DMA channel is stopped and disabled completely. Otherwise, the DMA channel may run out of order.

83010C10 DMA12 COUNT DMA CR4 Channel 12 Transfer Count Register 00000000

Bit	31	30	29	28	27	26	25	24	23	22	21	20	19	18	17	16
Name																
Type																
Reset																
Bit	15	14	13	12	11	10	9	8	7	6	5	4	3	2	1	0
Name	LEN															
Type	RW															
Reset	0	0	0	0	0	0	0	0	0	0	0	0	0	0	0	0

Bit(s)	Name	Description
15:0	LEN	The amount of total transfer count This register specifies the amount of total transfer count that the DMA channel is required to perform. Upon completion, the DMA channel generates an interrupt request to the processor while ITEN in DMA _n _CON is set as '1'. Note that the total size of data being transferred by a DMA channel is determined by LEN together with the SIZE in DMA _n _CON, i.e. LEN x SIZE.

83010C14 DMA12 CON DMA CR4 Channel 12 Control Register 03F00000

Bit	31	30	29	28	27	26	25	24	23	22	21	20	19	18	17	16	
Name														MAS	DIR	WPER	WPSD
Type														RW			
Reset							1	1	1	1	1	1		0	0	0	

Bit	15	14	13	12	11	10	9	8	7	6	5	4	3	2	1	0
Name	ITEN	TOEN										DREQ	DIRC	SINC	SIZE	
Type	RW	RW										RW	RW	RW	RW	
Reset	0	0										0	0	0	0	0

Bit(s)	Name	Description																																																																														
25:20	MAS	<p>Master selection. Specifies which master occupies this DMA channel. Once assigned to certain master, the corresponding DREQ and DACK are connected. For half-size and Virtual FIFO DMA channels, i.e. channels 3 ~ 25, a predefined address is assigned as well.</p> <table border="0"> <tr> <td>Value</td> <td>Selected Master</td> <td>SADDR</td> </tr> <tr> <td>6'd0</td> <td>: Don't Use</td> <td></td> </tr> <tr> <td>6'd1</td> <td>: Don't Use</td> <td></td> </tr> <tr> <td>6'd2</td> <td>: I2C-0 (HALF) TX</td> <td>0x83090000</td> </tr> <tr> <td>6'd3</td> <td>: I2C-0 (HALF) RX</td> <td>0x83090000</td> </tr> <tr> <td>6'd4</td> <td>: I2C-1 (HALF) TX</td> <td>0x830A0000</td> </tr> <tr> <td>6'd5</td> <td>: I2C-1 (HALF) RX</td> <td>0x830A0000</td> </tr> <tr> <td>6'd6</td> <td>: I2S/Audio (VFF) TX</td> <td>0x22000000</td> </tr> <tr> <td>6'd7</td> <td>: I2S/Audio (VFF) RX</td> <td>0x22000000</td> </tr> <tr> <td>6'd8</td> <td>: UART0(VFF) TX</td> <td>0x83030000</td> </tr> <tr> <td>6'd9</td> <td>: UART0(VFF) RX</td> <td>0x83030000</td> </tr> <tr> <td>6'd10</td> <td>: UART1(VFF) TX</td> <td>0x83040000</td> </tr> <tr> <td>6'd11</td> <td>: UART1(VFF) RX</td> <td>0x83040000</td> </tr> <tr> <td>6'd12</td> <td>: BTIF(VFF) TX</td> <td>0x830E0000</td> </tr> <tr> <td>6'd13</td> <td>: BTIF(VFF) RX</td> <td>0x830E0000</td> </tr> <tr> <td>6'd14</td> <td>: HIF(USB EP2I HALF) Tx</td> <td>0x50310000</td> </tr> <tr> <td>6'd15</td> <td>: HIF(USB EP2O VFF) Rx</td> <td>0x50310004</td> </tr> <tr> <td>6'd16</td> <td>: HIF(USB EP3I VFF) Tx</td> <td>0x50310008</td> </tr> <tr> <td>6'd17</td> <td>: HIF(USB EP3O VFF) Rx</td> <td>0x5031000C</td> </tr> <tr> <td>6'd18</td> <td>: HIF(USB EP4I VFF) Tx</td> <td>0x50310010</td> </tr> <tr> <td>6'd19</td> <td>: HIF(USB EP4O HALF) Rx</td> <td>0x50310014</td> </tr> <tr> <td>6'd20</td> <td>: ADC(VFF) RX</td> <td>0x830D0000</td> </tr> <tr> <td>6'd21</td> <td>: WIFI HIF(HALF) TRX</td> <td>0x50201000</td> </tr> <tr> <td>6'd22</td> <td>: not used</td> <td>0x830B0000</td> </tr> <tr> <td>6'd23</td> <td>: not used</td> <td>0x830B0000</td> </tr> <tr> <td>6'd24~37</td> <td>: VFF Data Port</td> <td>0x79000m00</td> </tr> </table> <p>*m is N-12 other: reserved default :6'h3f SPI-M use full size channel If you use dma moving data from memory to memory (ex :full-size dma) , please select default value as your master setting</p>	Value	Selected Master	SADDR	6'd0	: Don't Use		6'd1	: Don't Use		6'd2	: I2C-0 (HALF) TX	0x83090000	6'd3	: I2C-0 (HALF) RX	0x83090000	6'd4	: I2C-1 (HALF) TX	0x830A0000	6'd5	: I2C-1 (HALF) RX	0x830A0000	6'd6	: I2S/Audio (VFF) TX	0x22000000	6'd7	: I2S/Audio (VFF) RX	0x22000000	6'd8	: UART0(VFF) TX	0x83030000	6'd9	: UART0(VFF) RX	0x83030000	6'd10	: UART1(VFF) TX	0x83040000	6'd11	: UART1(VFF) RX	0x83040000	6'd12	: BTIF(VFF) TX	0x830E0000	6'd13	: BTIF(VFF) RX	0x830E0000	6'd14	: HIF(USB EP2I HALF) Tx	0x50310000	6'd15	: HIF(USB EP2O VFF) Rx	0x50310004	6'd16	: HIF(USB EP3I VFF) Tx	0x50310008	6'd17	: HIF(USB EP3O VFF) Rx	0x5031000C	6'd18	: HIF(USB EP4I VFF) Tx	0x50310010	6'd19	: HIF(USB EP4O HALF) Rx	0x50310014	6'd20	: ADC(VFF) RX	0x830D0000	6'd21	: WIFI HIF(HALF) TRX	0x50201000	6'd22	: not used	0x830B0000	6'd23	: not used	0x830B0000	6'd24~37	: VFF Data Port	0x79000m00
Value	Selected Master	SADDR																																																																														
6'd0	: Don't Use																																																																															
6'd1	: Don't Use																																																																															
6'd2	: I2C-0 (HALF) TX	0x83090000																																																																														
6'd3	: I2C-0 (HALF) RX	0x83090000																																																																														
6'd4	: I2C-1 (HALF) TX	0x830A0000																																																																														
6'd5	: I2C-1 (HALF) RX	0x830A0000																																																																														
6'd6	: I2S/Audio (VFF) TX	0x22000000																																																																														
6'd7	: I2S/Audio (VFF) RX	0x22000000																																																																														
6'd8	: UART0(VFF) TX	0x83030000																																																																														
6'd9	: UART0(VFF) RX	0x83030000																																																																														
6'd10	: UART1(VFF) TX	0x83040000																																																																														
6'd11	: UART1(VFF) RX	0x83040000																																																																														
6'd12	: BTIF(VFF) TX	0x830E0000																																																																														
6'd13	: BTIF(VFF) RX	0x830E0000																																																																														
6'd14	: HIF(USB EP2I HALF) Tx	0x50310000																																																																														
6'd15	: HIF(USB EP2O VFF) Rx	0x50310004																																																																														
6'd16	: HIF(USB EP3I VFF) Tx	0x50310008																																																																														
6'd17	: HIF(USB EP3O VFF) Rx	0x5031000C																																																																														
6'd18	: HIF(USB EP4I VFF) Tx	0x50310010																																																																														
6'd19	: HIF(USB EP4O HALF) Rx	0x50310014																																																																														
6'd20	: ADC(VFF) RX	0x830D0000																																																																														
6'd21	: WIFI HIF(HALF) TRX	0x50201000																																																																														
6'd22	: not used	0x830B0000																																																																														
6'd23	: not used	0x830B0000																																																																														
6'd24~37	: VFF Data Port	0x79000m00																																																																														
18	DIR	<p>Directions of DMA transfer for half-size and Virtual FIFO DMA channels, i.e. channels 3~25. The direction is from the perspective of the DMA masters. WRITE means read from master device and then write to the address specified in DMA_PGMADDR, and vice versa. 0 Read (read from system RAM and write to device) 1 Write (read from device and write to system RAM)</p>																																																																														
17	WPEN	<p>Address-wrapping for ring buffer. The next address of DMA jumps to WRAP TO address when the current address matches WRAP POINT count. 0 Disable</p>																																																																														

Bit(s)	Name	Description
16	WPSD	<p>1 Enable No effect on channel 12~25 (Virtual FIFO). The side using address-wrapping function. Only one side of a DMA channel can activate address-wrapping function at a time. 0 Address-wrapping on source . 1 Address-wrapping on destination.</p>
15	ITEN	<p>No effect on channel 12~25 (Virtual FIFO). DMA transfer completion interrupt enable. 0 Disable 1 Enable</p>
14	TOEN	<p>DMA transfer timeout interrupt enable. 0 Disable 1 Enable</p>
4	DREQ	<p>No effect on channel 1~11 (Full and Half-size). Throttle and handshake control for DMA transfer 0 No throttle control during DMA transfer or transfers occurred only between memories 1 Hardware handshake management The DMA master is able to throttle down the transfer rate by way of request-grant handshake. MAS Selected Master suggest DREQ setting 6'd6 : I2S/Audio (VFF) TX 1 6'd7 : I2S/Audio (VFF) RX 1 6'd8 : UART0(VFF) TX 1 6'd9 : UART0(VFF) RX 1 6'd10 : UART1(VFF) TX 1 6'd11 : UART1(VFF) RX 1 6'd12 : BTIF(VFF) TX 1 6'd13 : BTIF(VFF) RX 1 6'd15 : HIF(USB EP2O VFF) Rx 1 6'd16 : HIF(USB EP3I VFF) Tx 1 6'd17 : HIF(USB EP3O VFF) Rx 1 6'd18 : HIF(USB EP4I VFF) Tx 1 6'd20 : ADC(VFF) RX 1</p>
3	DINC	<p>Incremental destination address. Destination addresses increase every transfer. If the setting of SIZE is Byte, Destination addresses increase by 1 every single transfer. If Half-Word, increase by 2; and if Word, increase by 4. 0 Disable 1 Enable No effect on channel 12~25 (Virtual FIFO). Destination address is the master fixed address for read(TX) or the Virtual FIFO write pointer for write(RX)</p>
2	SINC	<p>Incremental source address. Source addresses increase every transfer. If the setting of SIZE is Byte, Source addresses increase by 1 every single transfer. If Half-Word, increase by 2; and if Word, increase by 4. 0 Disable 1 Enable No effect on channel 12~25 (Virtual FIFO). Source address is the Virtual FIFO read pointer for read(TX) or the master fixed address for write(RX).</p>
1:0	SIZE	<p>Data size within the confine of a bus cycle per transfer. These bits confines the data transfer size between source and destination to the specified value for individual bus cycle. The size is in terms of byte and has maximum value of 4 bytes. It is mainly decided by the data width of a DMA master.</p>

Bit(s)	Name	Description
00		Byte transfer/1 byte
01		Half-word transfer/2 bytes
10		Word transfer/4 bytes
11		Reserved
The SIZE register setting depends on devices. The following table lists all VFIFO channels, associated devices, and data width per beat.		
channel	Module	Support DMA beat size
VFIFO12	I2S TX	4Byte
VFIFO13	I2S RX	4Byte
VFIFO14	UART0 TX	1Byte
VFIFO15	UART0 RX	1Byte
VFIFO16	UART1 TX	1Byte
VFIFO17	UART1 RX	1Byte
VFIFO18	BTIF TX	1Byte
VFIFO19	BTIF RX	1Byte
VFIFO20	HIF(USB EP2O VFF) Rx	4Byte
VFIFO21	HIF(USB EP3I VFF) Tx	4Byte
VFIFO22	HIF(USB EP3O VFF) Rx	4Byte
VFIFO23	HIF(USB EP4I VFF) Tx	4Byte
VFIFO24	HIF(USB EP4O VFF) Rx	4Byte
VFIFO25	ADC(VFF) RX	4Byte

83010C18 DMA12 START DMA CR4 Channel 12 Start Register 00000000

Bit	31	30	29	28	27	26	25	24	23	22	21	20	19	18	17	16
Name																
Type																
Reset																
Bit	15	14	13	12	11	10	9	8	7	6	5	4	3	2	1	0
Name	STR															
Type	RW															
Reset	0															

Bit(s)	Name	Description
15	STR	Start control for a DMA channel. 0 The DMA channel is stopped. 1 The DMA channel is started and running.

83010C1C DMA12 INTSTA DMA CR4 Channel 12 Interrupt Status Register 00000000

Bit	31	30	29	28	27	26	25	24	23	22	21	20	19	18	17	16
Name																TOINT
Type																RO
Reset																0

Bit	15	14	13	12	11	10	9	8	7	6	5	4	3	2	1	0
Name	INT															
Type	RO															
Reset	0															

Bit(s)	Name	Description
16	TOINT	Timeout Interrupt Status for DMA Channel 0 No interrupt request is generated. 1 One interrupt request is pending and waiting for service. No effect on channel 1~11 (Full and Half-size).
15	INT	Interrupt Status for DMA Channel 0 No interrupt request is generated. 1 One interrupt request is pending and waiting for service.

83010C20 DMA12 ACKINT DMA CR4 Channel 12 Interrupt Acknowledge Register 00000000

Bit	31	30	29	28	27	26	25	24	23	22	21	20	19	18	17	16
Name																TOACK
Type																WO
Reset																0

Bit	15	14	13	12	11	10	9	8	7	6	5	4	3	2	1	0
Name	ACK															
Type	WO															
Reset	0															

Bit(s)	Name	Description
16	TOACK	TOACK Timeout Interrupt acknowledge for the DMA channel 0 No effect 1 Interrupt request is acknowledged and should be relinquished. No effect on channel 1~11 (Full and Half-size).
15	ACK	ACK Interrupt acknowledge for the DMA channel 0 No effect 1 Interrupt request is acknowledged and should be relinquished.

83010C28 DMA12 LIMITER DMA CR4 Channel 12 Bandwidth Limiter Register 00000000

Bit	31	30	29	28	27	26	25	24	23	22	21	20	19	18	17	16
Name																
Type																
Reset																

Bit	15	14	13	12	11	10	9	8	7	6	5	4	3	2	1	0
Name	LIMITER															
Type	RW															
Reset									0	0	0	0	0	0	0	0

Bit(s)	Name	Description
7:0	LIMITER	from 0 to 255. 0 means no limitation, 255 means totally banned, and others mean Bus access permission every (4 X n) AHB clock

83010C2C DMA12 PGMADDR DMA CR4 Channel 12 Programmable Address Register 00000000

Bit	31	30	29	28	27	26	25	24	23	22	21	20	19	18	17	16
Name	PGMADDR															
Type	RW															
Reset	0	0	0	0	0	0	0	0	0	0	0	0	0	0	0	0
Bit	15	14	13	12	11	10	9	8	7	6	5	4	3	2	1	0
Name	PGMADDR															
Type	RW															
Reset	0	0	0	0	0	0	0	0	0	0	0	0	0	0	0	0

Bit(s)	Name	Description
31:0	PGMADDR	PGMADDR[31:0] specifies the addresses for a half-size DMA channel or virtual FIFO WRITE : address of the source/destination. READ : current address of the transfer. This address represents a source address if DIR in DMA_CON is set to 0, and represents a destination address if DIR in DMA_CON is set to 1. Before being able to program these register, the software should make sure that STR in DMAn_START is set to '0', that is the DMA channel is stopped and disabled completely. Otherwise, the DMA channel may run out of order.

83010C30 DMA12 WRPTR DMA CR4 Channel 12 Write Pointer 00000000

Bit	31	30	29	28	27	26	25	24	23	22	21	20	19	18	17	16
Name	WRPTR															
Type	RO															
Reset	0	0	0	0	0	0	0	0	0	0	0	0	0	0	0	0
Bit	15	14	13	12	11	10	9	8	7	6	5	4	3	2	1	0
Name	WRPTR															

e																
Type	RO															
Reset	0	0	0	0	0	0	0	0	0	0	0	0	0	0	0	0

Bit(s)	Name	Description
31:0	WRPTR	Virtual FIFO Write Pointer

83010C34 DMA12 RDPTR DMA CR4 Channel 12 Read Pointer 00000000

Bit	31	30	29	28	27	26	25	24	23	22	21	20	19	18	17	16
Name	RDPTR															
Type	RO															
Reset	0	0	0	0	0	0	0	0	0	0	0	0	0	0	0	0
Bit	15	14	13	12	11	10	9	8	7	6	5	4	3	2	1	0
Name	RDPTR															
Type	RO															
Reset	0	0	0	0	0	0	0	0	0	0	0	0	0	0	0	0

Bit(s)	Name	Description
31:0	RDPTR	Virtual FIFO Read Pointer

83010C38 DMA12 FFCNT DMA CR4 Channel 12 FIFO Count 00000000

Bit	31	30	29	28	27	26	25	24	23	22	21	20	19	18	17	16
Name																
Type																
Reset																
Bit	15	14	13	12	11	10	9	8	7	6	5	4	3	2	1	0
Name	FFCNT															
Type	RW															
Reset	0	0	0	0	0	0	0	0	0	0	0	0	0	0	0	0

Bit(s)	Name	Description
15:0	FFCNT	To display the number of data stored in Virtual FIFO

83010C3C DMA12 FFSTA DMA CR4 Channel 12 FIFO Status 00000000

Bit	31	30	29	28	27	26	25	24	23	22	21	20	19	18	17	16
Name																

Type																
Reset																
Bit	15	14	13	12	11	10	9	8	7	6	5	4	3	2	1	0
Name														ALT	EMPTY	FULL
Type														RO	RO	RO
Reset														0	0	0

Bit(s)	Name	Description
2	ALT	To indicate FIFO Count is larger than ALTLEN. DMA issues an alert signal to UART to enable UART flow control. 0 Not reach alert region. 1 Reach alert region.
1	EMPTY	To indicate FIFO is empty. 0 Not Empty 1 Empty
0	FULL	To indicate FIFO is full. 0 Not Full 1 Full

83010C40 DMA12 ALTLEN DMA CR4 Channel 12 Alert Length Register 00000000

Bit	31	30	29	28	27	26	25	24	23	22	21	20	19	18	17	16
Name	ALTSCM															
Type	RW															
Reset	0															
Bit	15	14	13	12	11	10	9	8	7	6	5	4	3	2	1	0
Name	ALTLEN															
Type	RW															
Reset	0	0	0	0	0	0	0	0	0	0	0	0	0	0	0	0

Bit(s)	Name	Description
31	ALTSCM	Specifies the compare equation between ALTLEN and FIFO_SIZE-FIFO_CNT. 1'b0: if ALTLEN > FIFO_SIZE-FIFO_CNT, trigger fifo_alt signal to device for warning device that VFIFO will be full soon. 1'b1: if ALTLEN >= FIFO_SIZE-FIFO_CNT, trigger fifo_alt signal to device for warning device that VFIFO will be full soon.
15:0	ALTLEN	Specifies the Alert Length of Virtual FIFO DMA. Once the remaining FIFO space is less than ALTLEN, an alert signal is issued to UART to enable flow control. If ALTSCM is set to 1, remaining FIFO space == ALTLEN also trigger the alert signal. Normally, ALTLEN shall be larger than 16 for UART application.

83010C44 DMA12 FFSIZE DMA CR4 Channel 12 Virtual FIFO Size Register 00000000

Bit	31	30	29	28	27	26	25	24	23	22	21	20	19	18	17	16
Name																
Type																
Reset																
Bit	15	14	13	12	11	10	9	8	7	6	5	4	3	2	1	0
Name	FFSIZE															
Type	RW															
Reset	0	0	0	0	0	0	0	0	0	0	0	0	0	0	0	0

Bit(s)	Name	Description
15:0	FFSIZE	Specifies the FIFO Size of Virtual FIFO DMA

83010C48 DMA12 CVFF DMA CR4 Channel 12 Cascade Virtual FIFO Control Register 00000000

Bit	31	30	29	28	27	26	25	24	23	22	21	20	19	18	17	16
Name	CASCADED_PORT_ADDR															
Type	RW															
Reset	0	0	0	0	0	0	0	0	0	0	0	0	0	0	0	0
Bit	15	14	13	12	11	10	9	8	7	6	5	4	3	2	1	0
Name	CASCADED_PORT_ADDR															CVFF_ENB
Type	RW															RW
Reset	0	0	0	0	0	0	0	0	0	0	0	0	0	0	0	0

Bit(s)	Name	Description
31:1	CASCADED_PORT_ADDR	Please fill in the other peripheral's virtual port address. When CVFF_EN is set to 1, DMA will change the source/destination from sysram to the other fixed address.
0	CVFF_ENB	

83010C50 DMA12 TO DMA CR4 Channel 12 Timeout Value Register 00000000

Bit	31	30	29	28	27	26	25	24	23	22	21	20	19	18	17	16
Name	TIMEOUT_COUNTER															
Type	RW															

Reset	0	0	0	0	0	0	0	0	0	0	0	0	0	0	0	0
Bit	15	14	13	12	11	10	9	8	7	6	5	4	3	2	1	0
Name	TIMEOUT_COUNTER															
Type	RW															
Reset	0	0	0	0	0	0	0	0	0	0	0	0	0	0	0	0

Bit(s)	Name	Description
31:0	TIMEOUT_COUNTER	Interrupt will assert if there is no new data into fifo more than n T(bus clock).

83010D10 DMA13_COUNT DMA CR4 Channel 13 Transfer Count Register 00000000

Bit	31	30	29	28	27	26	25	24	23	22	21	20	19	18	17	16
Name																
Type																
Reset																
Bit	15	14	13	12	11	10	9	8	7	6	5	4	3	2	1	0
Name	LEN															
Type	RW															
Reset	0	0	0	0	0	0	0	0	0	0	0	0	0	0	0	0

Bit(s)	Name	Description
15:0	LEN	The amount of total transfer count This register specifies the amount of total transfer count that the DMA channel is required to perform. Upon completion, the DMA channel generates an interrupt request to the processor while ITEN in DMA _n _CON is set as '1'. Note that the total size of data being transferred by a DMA channel is determined by LEN together with the SIZE in DMA _n _CON, i.e. LEN x SIZE.

83010D14 DMA13_CON DMA CR4 Channel 13 Control Register 03F00000

Bit	31	30	29	28	27	26	25	24	23	22	21	20	19	18	17	16
Name							MAS							DI R	WP EN	WP SD
Type							RW							RW	RW	RW
Reset							1	1	1	1	1	1		0	0	0
Bit	15	14	13	12	11	10	9	8	7	6	5	4	3	2	1	0
Name	ITEN	TOEN										DR EQ	DI NC	SIN C	SIZE	
Type	RW	RW										RW	RW	RW	RW	



Bit(s)	Name	Description																																																																														
25:20	MAS	<p>Master selection. Specifies which master occupies this DMA channel. Once assigned to certain master, the corresponding DREQ and DACK are connected. For half-size and Virtual FIFO DMA channels, i.e. channels 3 ~ 25, a predefined address is assigned as well.</p> <table border="1"> <thead> <tr> <th>Value</th> <th>Selected Master</th> <th>SADDR</th> </tr> </thead> <tbody> <tr><td>6'd0</td><td>: Don't Use</td><td></td></tr> <tr><td>6'd1</td><td>: Don't Use</td><td></td></tr> <tr><td>6'd2</td><td>: I2C-0(HALF) TX</td><td>0x83090000</td></tr> <tr><td>6'd3</td><td>: I2C-0 (HALF) RX</td><td>0x83090000</td></tr> <tr><td>6'd4</td><td>: I2C-1 (HALF) TX</td><td>0x830A0000</td></tr> <tr><td>6'd5</td><td>: I2C-1 (HALF) RX</td><td>0x830A0000</td></tr> <tr><td>6'd6</td><td>: I2S/Audio (VFF) TX</td><td>0x22000000</td></tr> <tr><td>6'd7</td><td>: I2S/Audio (VFF) RX</td><td>0x22000000</td></tr> <tr><td>6'd8</td><td>: UART0(VFF) TX</td><td>0x83030000</td></tr> <tr><td>6'd9</td><td>: UART0(VFF) RX</td><td>0x83030000</td></tr> <tr><td>6'd10</td><td>: UART1(VFF) TX</td><td>0x83040000</td></tr> <tr><td>6'd11</td><td>: UART1(VFF) RX</td><td>0x83040000</td></tr> <tr><td>6'd12</td><td>: BTIF(VFF) TX</td><td>0x830E0000</td></tr> <tr><td>6'd13</td><td>: BTIF(VFF) RX</td><td>0x830E0000</td></tr> <tr><td>6'd14</td><td>: HIF(USB EP2I HALF) Tx</td><td>0x50310000</td></tr> <tr><td>6'd15</td><td>: HIF(USB EP2O VFF) Rx</td><td>0x50310004</td></tr> <tr><td>6'd16</td><td>: HIF(USB EP3I VFF) Tx</td><td>0x50310008</td></tr> <tr><td>6'd17</td><td>: HIF(USB EP3O VFF) Rx</td><td>0x5031000C</td></tr> <tr><td>6'd18</td><td>: HIF(USB EP4I VFF) Tx</td><td>0x50310010</td></tr> <tr><td>6'd19</td><td>: HIF(USB EP4O HALF) Rx</td><td>0x50310014</td></tr> <tr><td>6'd20</td><td>: ADC(VFF) RX</td><td>0x830D0000</td></tr> <tr><td>6'd21</td><td>: WIFI HIF(HALF) TRX</td><td>0x50201000</td></tr> <tr><td>6'd22</td><td>: not used</td><td>0x830B0000</td></tr> <tr><td>6'd23</td><td>: not used</td><td>0x830B0000</td></tr> <tr><td>6'd24~37</td><td>: VFF Data Port</td><td>0x79000m00</td></tr> </tbody> </table> <p>*m is N-12 other: reserved default :6'h3f SPI-M use full size channel</p>	Value	Selected Master	SADDR	6'd0	: Don't Use		6'd1	: Don't Use		6'd2	: I2C-0(HALF) TX	0x83090000	6'd3	: I2C-0 (HALF) RX	0x83090000	6'd4	: I2C-1 (HALF) TX	0x830A0000	6'd5	: I2C-1 (HALF) RX	0x830A0000	6'd6	: I2S/Audio (VFF) TX	0x22000000	6'd7	: I2S/Audio (VFF) RX	0x22000000	6'd8	: UART0(VFF) TX	0x83030000	6'd9	: UART0(VFF) RX	0x83030000	6'd10	: UART1(VFF) TX	0x83040000	6'd11	: UART1(VFF) RX	0x83040000	6'd12	: BTIF(VFF) TX	0x830E0000	6'd13	: BTIF(VFF) RX	0x830E0000	6'd14	: HIF(USB EP2I HALF) Tx	0x50310000	6'd15	: HIF(USB EP2O VFF) Rx	0x50310004	6'd16	: HIF(USB EP3I VFF) Tx	0x50310008	6'd17	: HIF(USB EP3O VFF) Rx	0x5031000C	6'd18	: HIF(USB EP4I VFF) Tx	0x50310010	6'd19	: HIF(USB EP4O HALF) Rx	0x50310014	6'd20	: ADC(VFF) RX	0x830D0000	6'd21	: WIFI HIF(HALF) TRX	0x50201000	6'd22	: not used	0x830B0000	6'd23	: not used	0x830B0000	6'd24~37	: VFF Data Port	0x79000m00
Value	Selected Master	SADDR																																																																														
6'd0	: Don't Use																																																																															
6'd1	: Don't Use																																																																															
6'd2	: I2C-0(HALF) TX	0x83090000																																																																														
6'd3	: I2C-0 (HALF) RX	0x83090000																																																																														
6'd4	: I2C-1 (HALF) TX	0x830A0000																																																																														
6'd5	: I2C-1 (HALF) RX	0x830A0000																																																																														
6'd6	: I2S/Audio (VFF) TX	0x22000000																																																																														
6'd7	: I2S/Audio (VFF) RX	0x22000000																																																																														
6'd8	: UART0(VFF) TX	0x83030000																																																																														
6'd9	: UART0(VFF) RX	0x83030000																																																																														
6'd10	: UART1(VFF) TX	0x83040000																																																																														
6'd11	: UART1(VFF) RX	0x83040000																																																																														
6'd12	: BTIF(VFF) TX	0x830E0000																																																																														
6'd13	: BTIF(VFF) RX	0x830E0000																																																																														
6'd14	: HIF(USB EP2I HALF) Tx	0x50310000																																																																														
6'd15	: HIF(USB EP2O VFF) Rx	0x50310004																																																																														
6'd16	: HIF(USB EP3I VFF) Tx	0x50310008																																																																														
6'd17	: HIF(USB EP3O VFF) Rx	0x5031000C																																																																														
6'd18	: HIF(USB EP4I VFF) Tx	0x50310010																																																																														
6'd19	: HIF(USB EP4O HALF) Rx	0x50310014																																																																														
6'd20	: ADC(VFF) RX	0x830D0000																																																																														
6'd21	: WIFI HIF(HALF) TRX	0x50201000																																																																														
6'd22	: not used	0x830B0000																																																																														
6'd23	: not used	0x830B0000																																																																														
6'd24~37	: VFF Data Port	0x79000m00																																																																														
18	DIR	<p>If you use dma moving data from memory to memory (ex :full-size dma) , please select default value asyour master setting</p> <p>Directions of DMA transfer for half-size and Virtual FIFO DMA channels, i.e. channels 3~25. The direction is from the perspective of the DMA masters. WRITE means read from master device and then write to the address specified in DMA_PGMADDR, and vice versa.</p> <p>0 Read (read from system RAM and write to device) 1 Write (read from device and write to system RAM)</p>																																																																														
17	WPEN	<p>Address-wrapping for ring buffer. The next address of DMA jumps to WRAP TO address when the current address matches WRAP POINT count. 0 Disable 1 Enable</p>																																																																														
16	WPSD	<p>No effect on channel 12~25 (Virtual FIFO). The side using address-wrapping function. Only one side of a DMA channel can activate address-wrapping function at a time.</p>																																																																														

Bit(s)	Name	Description																										
15	ITEN	<p>0 Address-wrapping on source . 1 Address-wrapping on destination. No effect on channel 12~25 (Virtual FIFO). DMA transfer completion interrupt enable. 0 Disable 1 Enable</p>																										
14	TOEN	<p>DMA transfer timeout interrupt enable. 0 Disable 1 Enable</p>																										
4	DREQ	<p>No effect on channel 1~11 (Full and Half-size). Throttle and handshake control for DMA transfer 0 No throttle control during DMA transfer or transfers occurred only between memories 1 Hardware handshake management The DMA master is able to throttle down the transfer rate by way of request-grant handshake. MAS Selected Master suggest DREQ setting</p> <table border="0"> <tr> <td>6'd6 : I2S/Audio (VFF) TX</td> <td>1</td> </tr> <tr> <td>6'd7 : I2S/Audio (VFF) RX</td> <td>1</td> </tr> <tr> <td>6'd8 : UART0(VFF) TX</td> <td>1</td> </tr> <tr> <td>6'd9 : UART0(VFF) RX</td> <td>1</td> </tr> <tr> <td>6'd10 : UART1(VFF) TX</td> <td>1</td> </tr> <tr> <td>6'd11 : UART1(VFF) RX</td> <td>1</td> </tr> <tr> <td>6'd12 : BTIF(VFF) TX</td> <td>1</td> </tr> <tr> <td>6'd13 : BTIF(VFF) RX</td> <td>1</td> </tr> <tr> <td>6'd15 : HIF(USB EP2O VFF) Rx</td> <td>1</td> </tr> <tr> <td>6'd16 : HIF(USB EP3I VFF) Tx</td> <td>1</td> </tr> <tr> <td>6'd17 : HIF(USB EP3O VFF) Rx</td> <td>1</td> </tr> <tr> <td>6'd18 : HIF(USB EP4I VFF) Tx</td> <td>1</td> </tr> <tr> <td>6'd20 : ADC(VFF) RX</td> <td>1</td> </tr> </table>	6'd6 : I2S/Audio (VFF) TX	1	6'd7 : I2S/Audio (VFF) RX	1	6'd8 : UART0(VFF) TX	1	6'd9 : UART0(VFF) RX	1	6'd10 : UART1(VFF) TX	1	6'd11 : UART1(VFF) RX	1	6'd12 : BTIF(VFF) TX	1	6'd13 : BTIF(VFF) RX	1	6'd15 : HIF(USB EP2O VFF) Rx	1	6'd16 : HIF(USB EP3I VFF) Tx	1	6'd17 : HIF(USB EP3O VFF) Rx	1	6'd18 : HIF(USB EP4I VFF) Tx	1	6'd20 : ADC(VFF) RX	1
6'd6 : I2S/Audio (VFF) TX	1																											
6'd7 : I2S/Audio (VFF) RX	1																											
6'd8 : UART0(VFF) TX	1																											
6'd9 : UART0(VFF) RX	1																											
6'd10 : UART1(VFF) TX	1																											
6'd11 : UART1(VFF) RX	1																											
6'd12 : BTIF(VFF) TX	1																											
6'd13 : BTIF(VFF) RX	1																											
6'd15 : HIF(USB EP2O VFF) Rx	1																											
6'd16 : HIF(USB EP3I VFF) Tx	1																											
6'd17 : HIF(USB EP3O VFF) Rx	1																											
6'd18 : HIF(USB EP4I VFF) Tx	1																											
6'd20 : ADC(VFF) RX	1																											
3	DINC	<p>Incremental destination address. Destination addresses increase every transfer. If the setting of SIZE is Byte, Destination addresses increase by 1 every single transfer. If Half-Word, increase by 2; and if Word, increase by 4. 0 Disable 1 Enable No effect on channel 12~25 (Virtual FIFO). Destination address is the master fixed address for read(TX) or the Virtual FIFO write pointer for write(RX)</p>																										
2	SINC	<p>Incremental source address. Source addresses increase every transfer. If the setting of SIZE is Byte, Source addresses increase by 1 every single transfer. If Half-Word, increase by 2; and if Word, increase by 4. 0 Disable 1 Enable No effect on channel 12~25 (Virtual FIFO). Source address is the Virtual FIFO read pointer for read(TX) or the master fixed address for write(RX).</p>																										
1:0	SIZE	<p>Data size within the confine of a bus cycle per transfer. These bits confines the data transfer size between source and destination to the specified value for individual bus cycle. The size is in terms of byte and has maximum value of 4 bytes. It is mainly decided by the data width of a DMA master. 00 Byte transfer/1 byte 01 Half-word transfer/2 bytes 10 Word transfer/4 bytes 11 Reserved The SIZE register setting depends on devices. The following table</p>																										

Bit(s)	Name	Description
		lists all VFIFO channels, associated devices, and data width per beat.
	channel	Module Support DMA beat size
	VFIFO12	I2S TX 4Byte
	VFIFO13	I2S RX 4Byte
	VFIFO14	UART0 TX 1Byte
	VFIFO15	UART0 RX 1Byte
	VFIFO16	UART1 TX 1Byte
	VFIFO17	UART1 RX 1Byte
	VFIFO18	BTIF TX 1Byte
	VFIFO19	BTIF RX 1Byte
	VFIFO20	HIF(USB EP2O VFF) Rx 4Byte
	VFIFO21	HIF(USB EP3I VFF) Tx 4Byte
	VFIFO22	HIF(USB EP3O VFF) Rx 4Byte
	VFIFO23	HIF(USB EP4I VFF) Tx 4Byte
	VFIFO24	HIF(USB EP4O VFF) Rx 4Byte
	VFIFO25	ADC(VFF) RX 4Byte

83010D18 DMA13 START DMA CR4 Channel 13 Start Register 00000000

Bit	31	30	29	28	27	26	25	24	23	22	21	20	19	18	17	16
Name																
Type																
Reset																
Bit	15	14	13	12	11	10	9	8	7	6	5	4	3	2	1	0
Name	STR															
Type	RW															
Reset	0															

Bit(s)	Name	Description
15	STR	Start control for a DMA channel. 0 The DMA channel is stopped. 1 The DMA channel is started and running.

83010D1C DMA13 INTSTA DMA CR4 Channel 13 Interrupt Status Register 00000000

Bit	31	30	29	28	27	26	25	24	23	22	21	20	19	18	17	16
Name																TOINT
Type																RO
Reset																0
Bit	15	14	13	12	11	10	9	8	7	6	5	4	3	2	1	0
Name	INT															
Type	RO															

Reset	0															
-------	---	--	--	--	--	--	--	--	--	--	--	--	--	--	--	--

Bit(s)	Name	Description
16	TOINT	Timeout Interrupt Status for DMA Channel 0 No interrupt request is generated. 1 One interrupt request is pending and waiting for service.
15	INT	Interrupt Status for DMA Channel 0 No interrupt request is generated. 1 One interrupt request is pending and waiting for service.

83010D20 DMA13_ACKINT DMA CR4 Channel 13 Interrupt Acknowledge Register 00000000

Bit	31	30	29	28	27	26	25	24	23	22	21	20	19	18	17	16
Name																TOACK
Type																WO
Reset																0
Bit	15	14	13	12	11	10	9	8	7	6	5	4	3	2	1	0
Name	ACK															
Type	WO															
Reset	0															

Bit(s)	Name	Description
16	TOACK	TOACK Timeout Interrupt acknowledge for the DMA channel 0 No effect 1 Interrupt request is acknowledged and should be relinquished.
15	ACK	ACK Interrupt acknowledge for the DMA channel 0 No effect 1 Interrupt request is acknowledged and should be relinquished.

83010D28 DMA13_LIMITER DMA CR4 Channel 13 Bandwidth Limiter Register 00000000

Bit	31	30	29	28	27	26	25	24	23	22	21	20	19	18	17	16
Name																
Type																
Reset																
Bit	15	14	13	12	11	10	9	8	7	6	5	4	3	2	1	0
Name																LIMITER

Type									RW							
Reset									0	0	0	0	0	0	0	0

Bit(s)	Name	Description
7:0	LIMITER	from 0 to 255. 0 means no limitation, 255 means totally banned, and others mean Bus access permission every (4 X n) AHB clock

83010D2C DMA13 PGMADDR DMA CR4 Channel 13 Programmable Address Register 00000000

Bit	31	30	29	28	27	26	25	24	23	22	21	20	19	18	17	16
Name	PGMADDR															
Type	RW															
Reset	0	0	0	0	0	0	0	0	0	0	0	0	0	0	0	0
Bit	15	14	13	12	11	10	9	8	7	6	5	4	3	2	1	0
Name	PGMADDR															
Type	RW															
Reset	0	0	0	0	0	0	0	0	0	0	0	0	0	0	0	0

Bit(s)	Name	Description
31:0	PGMADDR	PGMADDR[31:0] specifies the addresses for a half-size DMA channel or virtual FIFO WRITE : address of the source/destination. READ : current address of the transfer. This address represents a source address if DIR in DMA_CON is set to 0, and represents a destination address if DIR in DMA_CON is set to 1. Before being able to program these register, the software should make sure that STR in DMA _n _START is set to '0', that is the DMA channel is stopped and disabled completely. Otherwise, the DMA channel may run out of order.

83010D30 DMA13 WRPTR DMA CR4 Channel 13 Write Pointer 00000000

Bit	31	30	29	28	27	26	25	24	23	22	21	20	19	18	17	16
Name	WRPTR															
Type	RO															
Reset	0	0	0	0	0	0	0	0	0	0	0	0	0	0	0	0
Bit	15	14	13	12	11	10	9	8	7	6	5	4	3	2	1	0
Name	WRPTR															
Type	RO															
Reset	0	0	0	0	0	0	0	0	0	0	0	0	0	0	0	0

Bit(s)	Name	Description
31:0	WRPTR	Virtual FIFO Write Pointer

83010D34 DMA13 RDPTR DMA CR4 Channel 13 Read Pointer 00000000

Bit	31	30	29	28	27	26	25	24	23	22	21	20	19	18	17	16
Name	RDPTR															
Type	RO															
Reset	0	0	0	0	0	0	0	0	0	0	0	0	0	0	0	0
Bit	15	14	13	12	11	10	9	8	7	6	5	4	3	2	1	0
Name	RDPTR															
Type	RO															
Reset	0	0	0	0	0	0	0	0	0	0	0	0	0	0	0	0

Bit(s)	Name	Description
31:0	RDPTR	Virtual FIFO Read Pointer

83010D38 DMA13 FFCNT DMA CR4 Channel 13 FIFO Count 00000000

Bit	31	30	29	28	27	26	25	24	23	22	21	20	19	18	17	16
Name																
Type																
Reset																
Bit	15	14	13	12	11	10	9	8	7	6	5	4	3	2	1	0
Name	FFCNT															
Type	RW															
Reset	0	0	0	0	0	0	0	0	0	0	0	0	0	0	0	0

Bit(s)	Name	Description
15:0	FFCNT	To display the number of data stored in Virtual FIFO

83010D3C DMA13 FFSTA DMA CR4 Channel 13 FIFO Status 00000000

Bit	31	30	29	28	27	26	25	24	23	22	21	20	19	18	17	16
Name																
Type																
Reset																

Bit	15	14	13	12	11	10	9	8	7	6	5	4	3	2	1	0
Name														ALT	EMPTY	FULL
Type														RO	RO	RO
Reset														0	0	0

Bit(s)	Name	Description
2	ALT	To indicate FIFO Count is larger than ALTLEN. DMA issues an alert signal to UART to enable UART flow control. 0 Not reach alert region. 1 Reach alert region.
1	EMPTY	To indicate FIFO is empty. 0 Not Empty 1 Empty
0	FULL	To indicate FIFO is full. 0 Not Full 1 Full

83010D40 DMA13 ALTLEN DMA CR4 Channel 13 Alert Length Register 00000000

Bit	31	30	29	28	27	26	25	24	23	22	21	20	19	18	17	16
Name	ALTSCM															
Type	RW															
Reset	0															
Bit	15	14	13	12	11	10	9	8	7	6	5	4	3	2	1	0
Name	ALTLEN															
Type	RW															
Reset	0	0	0	0	0	0	0	0	0	0	0	0	0	0	0	0

Bit(s)	Name	Description
31	ALTSCM	Specifies the compare equation between ALTLEN and FIFO_SIZE-FIFO_CNT. 1'b0: if ALTLEN > FIFO_SIZE-FIFO_CNT, trigger fifo_alt signal to device for warning device that VFIFO will be full soon. 1'b1: if ALTLEN >= FIFO_SIZE-FIFO_CNT, trigger fifo_alt signal to device for warning device that VFIFO will be full soon.
15:0	ALTLEN	Specifies the Alert Length of Virtual FIFO DMA. Once the remaining FIFO space is less than ALTLEN, an alert signal is issued to UART to enable flow control. If ALTSCM is set to 1, remaining FIFO space == ALTLEN also trigger the alert signal. Normally, ALTLEN shall be larger than 16 for UART application.

83010D44 DMA13 FFSIZE DMA CR4 Channel 13 Virtual FIFO 00000000

Size Register

Bit	31	30	29	28	27	26	25	24	23	22	21	20	19	18	17	16
Name																
Type																
Reset																
Bit	15	14	13	12	11	10	9	8	7	6	5	4	3	2	1	0
Name	FFSIZE															
Type	RW															
Reset	0	0	0	0	0	0	0	0	0	0	0	0	0	0	0	0

Bit(s)	Name	Description
15:0	FFSIZE	Specifies the FIFO Size of Virtual FIFO DMA

83010D48 DMA13 CVFF
**DMA CR4 Channel 13 Cascade
Virtual FIFO Control Register**
00000000

Bit	31	30	29	28	27	26	25	24	23	22	21	20	19	18	17	16
Name	CASCADED_PORT_ADDR															
Type	RW															
Reset	0	0	0	0	0	0	0	0	0	0	0	0	0	0	0	0
Bit	15	14	13	12	11	10	9	8	7	6	5	4	3	2	1	0
Name	CASCADED_PORT_ADDR															CVFF_EB
Type	RW															RW
Reset	0	0	0	0	0	0	0	0	0	0	0	0	0	0	0	0

Bit(s)	Name	Description
31:1	CASCADED_PORT_ADDR	Please fill in the other peripheral's virtual port address. When CVFF_EN is set to 1, DMA will change the source/destination from sysram to the other fixed address.
0	CVFF_EB	

83010D50 DMA13 TO
**DMA CR4 Channel 13 Timeout
Value Register**
00000000

Bit	31	30	29	28	27	26	25	24	23	22	21	20	19	18	17	16
Name	TIMEOUT_COUNTER															
Type	RW															
Reset	0	0	0	0	0	0	0	0	0	0	0	0	0	0	0	0
Bit	15	14	13	12	11	10	9	8	7	6	5	4	3	2	1	0

Name	TIMEOUT_COUNTER														
Type	RW														
Reset	0	0	0	0	0	0	0	0	0	0	0	0	0	0	0

Bit(s)	Name	Description
31:0	TIMEOUT_COUNTER	Interrupt will assert if there is no new data into fifo more than n T(bus clock).

83010E10 DMA14_COUNT DMA CR4 Channel 14 Transfer Count Register 00000000

Bit	31	30	29	28	27	26	25	24	23	22	21	20	19	18	17	16
Name																
Type																
Reset																
Bit	15	14	13	12	11	10	9	8	7	6	5	4	3	2	1	0
Name	LEN															
Type	RW															
Reset	0	0	0	0	0	0	0	0	0	0	0	0	0	0	0	0

Bit(s)	Name	Description
15:0	LEN	The amount of total transfer count This register specifies the amount of total transfer count that the DMA channel is required to perform. Upon completion, the DMA channel generates an interrupt request to the processor while ITEN in DMA _n _CON is set as '1'. Note that the total size of data being transferred by a DMA channel is determined by LEN together with the SIZE in DMA _n _CON, i.e. LEN x SIZE.

83010E14 DMA14_CON DMA CR4 Channel 14 Control Register 03F00000

Bit	31	30	29	28	27	26	25	24	23	22	21	20	19	18	17	16
Name							MAS							DI R	WP EN	WP SD
Type							RW							RW	RW	RW
Reset							1	1	1	1	1	1		0	0	0
Bit	15	14	13	12	11	10	9	8	7	6	5	4	3	2	1	0
Name	ITE N	TO EN										DR EQ	DI NC	SIN C	SIZE	
Type	RW	RW										RW	RW	RW	RW	
Reset	0	0										0	0	0	0	0

Bit(s)	Name	Description																																																																														
25:20	MAS	<p>Master selection. Specifies which master occupies this DMA channel. Once assigned to certain master, the corresponding DREQ and DACK are connected. For half-size and Virtual FIFO DMA channels, i.e. channels 3 ~ 25, a predefined address is assigned as well.</p> <table border="1"> <thead> <tr> <th>Value</th> <th>Selected Master</th> <th>SADDR</th> </tr> </thead> <tbody> <tr><td>6'd0</td><td>: Don't Use</td><td></td></tr> <tr><td>6'd1</td><td>: Don't Use</td><td></td></tr> <tr><td>6'd2</td><td>: I2C-0 (HALF) TX</td><td>0x83090000</td></tr> <tr><td>6'd3</td><td>: I2C-0 (HALF) RX</td><td>0x83090000</td></tr> <tr><td>6'd4</td><td>: I2C-1 (HALF) TX</td><td>0x830A0000</td></tr> <tr><td>6'd5</td><td>: I2C-1 (HALF) RX</td><td>0x830A0000</td></tr> <tr><td>6'd6</td><td>: I2S/Audio (VFF) TX</td><td>0x22000000</td></tr> <tr><td>6'd7</td><td>: I2S/Audio (VFF) RX</td><td>0x22000000</td></tr> <tr><td>6'd8</td><td>: UART0(VFF) TX</td><td>0x83030000</td></tr> <tr><td>6'd9</td><td>: UART0(VFF) RX</td><td>0x83030000</td></tr> <tr><td>6'd10</td><td>: UART1(VFF) TX</td><td>0x83040000</td></tr> <tr><td>6'd11</td><td>: UART1(VFF) RX</td><td>0x83040000</td></tr> <tr><td>6'd12</td><td>: BTIF(VFF) TX</td><td>0x830E0000</td></tr> <tr><td>6'd13</td><td>: BTIF(VFF) RX</td><td>0x830E0000</td></tr> <tr><td>6'd14</td><td>: HIF(USB EP2I HALF) Tx</td><td>0x50310000</td></tr> <tr><td>6'd15</td><td>: HIF(USB EP2O VFF) Rx</td><td>0x50310004</td></tr> <tr><td>6'd16</td><td>: HIF(USB EP3I VFF) Tx</td><td>0x50310008</td></tr> <tr><td>6'd17</td><td>: HIF(USB EP3O VFF) Rx</td><td>0x5031000C</td></tr> <tr><td>6'd18</td><td>: HIF(USB EP4I VFF) Tx</td><td>0x50310010</td></tr> <tr><td>6'd19</td><td>: HIF(USB EP4O HALF) Rx</td><td>0x50310014</td></tr> <tr><td>6'd20</td><td>: ADC(VFF) RX</td><td>0x830D0000</td></tr> <tr><td>6'd21</td><td>: WIFI HIF(HALF) TRX</td><td>0x50201000</td></tr> <tr><td>6'd22</td><td>: not used</td><td>0x830B0000</td></tr> <tr><td>6'd23</td><td>: not used</td><td>0x830B0000</td></tr> <tr><td>6'd24~37</td><td>: VFF Data Port</td><td>0x79000m00</td></tr> </tbody> </table> <p>*m is N-12 other: reserved default :6'h3f SPI-M use full size channel If you use dma moving data from memory to memory (ex :full-size dma) , please select default value asyour master setting</p>	Value	Selected Master	SADDR	6'd0	: Don't Use		6'd1	: Don't Use		6'd2	: I2C-0 (HALF) TX	0x83090000	6'd3	: I2C-0 (HALF) RX	0x83090000	6'd4	: I2C-1 (HALF) TX	0x830A0000	6'd5	: I2C-1 (HALF) RX	0x830A0000	6'd6	: I2S/Audio (VFF) TX	0x22000000	6'd7	: I2S/Audio (VFF) RX	0x22000000	6'd8	: UART0(VFF) TX	0x83030000	6'd9	: UART0(VFF) RX	0x83030000	6'd10	: UART1(VFF) TX	0x83040000	6'd11	: UART1(VFF) RX	0x83040000	6'd12	: BTIF(VFF) TX	0x830E0000	6'd13	: BTIF(VFF) RX	0x830E0000	6'd14	: HIF(USB EP2I HALF) Tx	0x50310000	6'd15	: HIF(USB EP2O VFF) Rx	0x50310004	6'd16	: HIF(USB EP3I VFF) Tx	0x50310008	6'd17	: HIF(USB EP3O VFF) Rx	0x5031000C	6'd18	: HIF(USB EP4I VFF) Tx	0x50310010	6'd19	: HIF(USB EP4O HALF) Rx	0x50310014	6'd20	: ADC(VFF) RX	0x830D0000	6'd21	: WIFI HIF(HALF) TRX	0x50201000	6'd22	: not used	0x830B0000	6'd23	: not used	0x830B0000	6'd24~37	: VFF Data Port	0x79000m00
Value	Selected Master	SADDR																																																																														
6'd0	: Don't Use																																																																															
6'd1	: Don't Use																																																																															
6'd2	: I2C-0 (HALF) TX	0x83090000																																																																														
6'd3	: I2C-0 (HALF) RX	0x83090000																																																																														
6'd4	: I2C-1 (HALF) TX	0x830A0000																																																																														
6'd5	: I2C-1 (HALF) RX	0x830A0000																																																																														
6'd6	: I2S/Audio (VFF) TX	0x22000000																																																																														
6'd7	: I2S/Audio (VFF) RX	0x22000000																																																																														
6'd8	: UART0(VFF) TX	0x83030000																																																																														
6'd9	: UART0(VFF) RX	0x83030000																																																																														
6'd10	: UART1(VFF) TX	0x83040000																																																																														
6'd11	: UART1(VFF) RX	0x83040000																																																																														
6'd12	: BTIF(VFF) TX	0x830E0000																																																																														
6'd13	: BTIF(VFF) RX	0x830E0000																																																																														
6'd14	: HIF(USB EP2I HALF) Tx	0x50310000																																																																														
6'd15	: HIF(USB EP2O VFF) Rx	0x50310004																																																																														
6'd16	: HIF(USB EP3I VFF) Tx	0x50310008																																																																														
6'd17	: HIF(USB EP3O VFF) Rx	0x5031000C																																																																														
6'd18	: HIF(USB EP4I VFF) Tx	0x50310010																																																																														
6'd19	: HIF(USB EP4O HALF) Rx	0x50310014																																																																														
6'd20	: ADC(VFF) RX	0x830D0000																																																																														
6'd21	: WIFI HIF(HALF) TRX	0x50201000																																																																														
6'd22	: not used	0x830B0000																																																																														
6'd23	: not used	0x830B0000																																																																														
6'd24~37	: VFF Data Port	0x79000m00																																																																														
18	DIR	<p>Directions of DMA transfer for half-size and Virtual FIFO DMA channels, i.e. channels 3~25. The direction is from the perspective of the DMA masters. WRITE means read from master device and then write to the address specified in DMA_PGMADDR, and vice versa. 0 Read (read from system RAM and write to device) 1 Write (read from device and write to system RAM)</p>																																																																														
17	WPEN	<p>Address-wrapping for ring buffer. The next address of DMA jumps to WRAP TO address when the current address matches WRAP POINT count. 0 Disable 1 Enable</p>																																																																														
16	WPSD	<p>No effect on channel 12~25 (Virtual FIFO). The side using address-wrapping function. Only one side of a DMA channel can activate address-wrapping function at a time. 0 Address-wrapping on source . 1 Address-wrapping on destination.</p>																																																																														
15	ITEN	<p>No effect on channel 12~25 (Virtual FIFO). DMA transfer completion interrupt enable.</p>																																																																														

Bit(s)	Name	Description						
14	TOEN	<p>0 Disable 1 Enable</p> <p>DMA transfer timeout interrupt enable.</p> <p>0 Disable 1 Enable</p>						
4	DREQ	<p>No effect on channel 1~11 (Full and Half-size).</p> <p>Throttle and handshake control for DMA transfer</p> <p>0 No throttle control during DMA transfer or transfers occurred only between memories 1 Hardware handshake management</p> <p>The DMA master is able to throttle down the transfer rate by way of request-grant handshake.</p> <p>MAS Selected Master suggest DREQ setting</p> <p>6'd6 : I2S/Audio (VFF) TX 1 6'd7 : I2S/Audio (VFF) RX 1 6'd8 : UART0(VFF) TX 1 6'd9 : UART0(VFF) RX 1 6'd10 : UART1(VFF) TX 1 6'd11 : UART1(VFF) RX 1 6'd12 : BTIF(VFF) TX 1 6'd13 : BTIF(VFF) RX 1 6'd15 : HIF(USB EP2O VFF) Rx 1 6'd16 : HIF(USB EP3I VFF) Tx 1 6'd17 : HIF(USB EP3O VFF) Rx 1 6'd18 : HIF(USB EP4I VFF) Tx 1 6'd20 : ADC(VFF) RX 1</p>						
3	DINC	<p>Incremental destination address. Destination addresses increase every transfer. If the setting of SIZE is Byte, Destination addresses increase by 1 every single transfer. If Half-Word, increase by 2; and if Word, increase by 4.</p> <p>0 Disable 1 Enable</p> <p>No effect on channel 12~25 (Virtual FIFO). Destination address is the master fixed address for read(TX) or the Virtual FIFO write pointer for write(RX)</p>						
2	SINC	<p>Incremental source address. Source addresses increase every transfer. If the setting of SIZE is Byte, Source addresses increase by 1 every single transfer. If Half-Word, increase by 2; and if Word, increase by 4.</p> <p>0 Disable 1 Enable</p> <p>No effect on channel 12~25 (Virtual FIFO). Source address is the Virtual FIFO read pointer for read(TX) or the master fixed address for write(RX).</p>						
1:0	SIZE	<p>Data size within the confine of a bus cycle per transfer. These bits confines the data transfer size between source and destination to the</p> <p>specified value for individual bus cycle. The size is in terms of byte and has maximum value of 4 bytes. It is mainly decided by the data width of a DMA master.</p> <p>00 Byte transfer/1 byte 01 Half-word transfer/2 bytes 10 Word transfer/4 bytes 11 Reserved</p> <p>The SIZE register setting depends on devices. The following table lists all VFIFO channels, associated devices, and data width per beat.</p> <table border="1"> <thead> <tr> <th>channel</th> <th>Module</th> <th>Support DMA beat size</th> </tr> </thead> <tbody> <tr> <td>VFIFO12</td> <td>I2S TX</td> <td>4Byte</td> </tr> </tbody> </table>	channel	Module	Support DMA beat size	VFIFO12	I2S TX	4Byte
channel	Module	Support DMA beat size						
VFIFO12	I2S TX	4Byte						

Bit(s)	Name	Description
	VFIFO13	I2S RX 4Byte
	VFIFO14	UART0 TX 1Byte
	VFIFO15	UART0 RX 1Byte
	VFIFO16	UART1 TX 1Byte
	VFIFO17	UART1 RX 1Byte
	VFIFO18	BTIF TX 1Byte
	VFIFO19	BTIF RX 1Byte
	VFIFO20	HIF(USB EP2O VFF) Rx 4Byte
	VFIFO21	HIF(USB EP3I VFF) Tx 4Byte
	VFIFO22	HIF(USB EP3O VFF) Rx 4Byte
	VFIFO23	HIF(USB EP4I VFF) Tx 4Byte
	VFIFO24	HIF(USB EP4O VFF) Rx 4Byte
	VFIFO25	ADC(VFF) RX 4Byte

83010E18 DMA14 START DMA CR4 Channel 14 Start Register 00000000

Bit	31	30	29	28	27	26	25	24	23	22	21	20	19	18	17	16
Name																
Type																
Reset																
Bit	15	14	13	12	11	10	9	8	7	6	5	4	3	2	1	0
Name	STR															
Type	RW															
Reset	0															

Bit(s)	Name	Description
15	STR	Start control for a DMA channel. 0 The DMA channel is stopped. 1 The DMA channel is started and running.

83010E1C DMA14 INTSTA DMA CR4 Channel 14 Interrupt Status Register 00000000

Bit	31	30	29	28	27	26	25	24	23	22	21	20	19	18	17	16
Name																TOINT
Type																RO
Reset																0
Bit	15	14	13	12	11	10	9	8	7	6	5	4	3	2	1	0
Name	INT															
Type	RO															
Reset	0															

Bit(s)	Name	Description
16	TOINT	Timeout Interrupt Status for DMA Channel 0 No interrupt request is generated. 1 One interrupt request is pending and waiting for service.
15	INT	Interrupt Status for DMA Channel 0 No interrupt request is generated. 1 One interrupt request is pending and waiting for service.

83010E20 DMA14 ACKINT DMA CR4 Channel 14 Interrupt Acknowledge Register 00000000

Bit	31	30	29	28	27	26	25	24	23	22	21	20	19	18	17	16
Name																TOACK
Type																WO
Reset																0
Bit	15	14	13	12	11	10	9	8	7	6	5	4	3	2	1	0
Name	ACK															
Type	WO															
Reset	0															

Bit(s)	Name	Description
16	TOACK	TOACK Timeout Interrupt acknowledge for the DMA channel 0 No effect 1 Interrupt request is acknowledged and should be relinquished.
15	ACK	ACK Interrupt acknowledge for the DMA channel 0 No effect 1 Interrupt request is acknowledged and should be relinquished.

83010E28 DMA14 LIMITER DMA CR4 Channel 14 Bandwidth Limiter Register 00000000

Bit	31	30	29	28	27	26	25	24	23	22	21	20	19	18	17	16		
Name																		
Type																		
Reset																		
Bit	15	14	13	12	11	10	9	8	7	6	5	4	3	2	1	0		
Name									LIMITER									
Type									RW									
Reset									0	0	0	0	0	0	0	0		

Bit(s)	Name	Description
7:0	LIMITER	from 0 to 255. 0 means no limitation, 255 means totally banned, and others mean Bus access permission every (4 X n) AHB clock

83010E2C DMA14 PGMADDR DMA CR4 Channel 14 Programmable Address Register 00000000

Bit	31	30	29	28	27	26	25	24	23	22	21	20	19	18	17	16
Name	PGMADDR															
Type	RW															
Reset	0	0	0	0	0	0	0	0	0	0	0	0	0	0	0	0
Bit	15	14	13	12	11	10	9	8	7	6	5	4	3	2	1	0
Name	PGMADDR															
Type	RW															
Reset	0	0	0	0	0	0	0	0	0	0	0	0	0	0	0	0

Bit(s)	Name	Description
31:0	PGMADDR	<p>PGMADDR[31:0] specifies the addresses for a half-size DMA channel or virtual FIFO</p> <p>WRITE : address of the source/destination. READ : current address of the transfer.</p> <p>This address represents a source address if DIR in DMA_CON is set to 0, and represents a destination address if DIR in DMA_CON is set to 1. Before being able to program these register, the software should make sure that STR in DMA_n_START is set to '0', that is the DMA channel is stopped and disabled completely. Otherwise, the DMA channel may run out of order.</p>

83010E30 DMA14 WRPTR DMA CR4 Channel 14 Write Pointer 00000000

Bit	31	30	29	28	27	26	25	24	23	22	21	20	19	18	17	16
Name	WRPTR															
Type	RO															
Reset	0	0	0	0	0	0	0	0	0	0	0	0	0	0	0	0
Bit	15	14	13	12	11	10	9	8	7	6	5	4	3	2	1	0
Name	WRPTR															
Type	RO															
Reset	0	0	0	0	0	0	0	0	0	0	0	0	0	0	0	0

Bit(s)	Name	Description
31:0	WRPTR	Virtual FIFO Write Pointer

83010E34 DMA14 RDPTR DMA CR4 Channel 14 Read Pointer 00000000

Bit	31	30	29	28	27	26	25	24	23	22	21	20	19	18	17	16
Name	RDPTR															
Type	RO															
Reset	0	0	0	0	0	0	0	0	0	0	0	0	0	0	0	0
Bit	15	14	13	12	11	10	9	8	7	6	5	4	3	2	1	0
Name	RDPTR															
Type	RO															
Reset	0	0	0	0	0	0	0	0	0	0	0	0	0	0	0	0

Bit(s)	Name	Description
31:0	RDPTR	Virtual FIFO Read Pointer

83010E38 DMA14 FFCNT DMA CR4 Channel 14 FIFO Count 00000000

Bit	31	30	29	28	27	26	25	24	23	22	21	20	19	18	17	16
Name																
Type																
Reset																
Bit	15	14	13	12	11	10	9	8	7	6	5	4	3	2	1	0
Name	FFCNT															
Type	RW															
Reset	0	0	0	0	0	0	0	0	0	0	0	0	0	0	0	0

Bit(s)	Name	Description
15:0	FFCNT	To display the number of data stored in Virtual FIFO

83010E3C DMA14 FFSTA DMA CR4 Channel 14 FIFO Status 00000000

Bit	31	30	29	28	27	26	25	24	23	22	21	20	19	18	17	16
Name																
Type																
Reset																
Bit	15	14	13	12	11	10	9	8	7	6	5	4	3	2	1	0
Name														AL T	EM PT Y	FU LL
Type														RO	RO	RO

Reset																		0	0	0
-------	--	--	--	--	--	--	--	--	--	--	--	--	--	--	--	--	--	---	---	---

Bit(s)	Name	Description
2	ALT	To indicate FIFO Count is larger than ALTLEN. DMA issues an alert signal to UART to enable UART flow control. 0 Not reach alert region. 1 Reach alert region.
1	EMPTY	To indicate FIFO is empty. 0 Not Empty 1 Empty
0	FULL	To indicate FIFO is full. 0 Not Full 1 Full

83010E40 DMA14 ALTLEN DMA CR4 Channel 14 Alert Length Register 00000000

Bit	31	30	29	28	27	26	25	24	23	22	21	20	19	18	17	16
Name	ALTS CM															
Type	RW															
Reset	0															
Bit	15	14	13	12	11	10	9	8	7	6	5	4	3	2	1	0
Name	ALTLEN															
Type	RW															
Reset	0	0	0	0	0	0	0	0	0	0	0	0	0	0	0	0

Bit(s)	Name	Description
31	ALTSCM	Specifies the compare equation between ALTLEN and FIFO_SIZE-FIFO_CNT. 1'b0: if ALTLEN > FIFO_SIZE-FIFO_CNT, trigger fifo_alt signal to device for warning device that VFIFO will be full soon. 1'b1: if ALTLEN >= FIFO_SIZE-FIFO_CNT, trigger fifo_alt signal to device for warning device that VFIFO will be full soon.
15:0	ALTLEN	Specifies the Alert Length of Virtual FIFO DMA. Once the remaining FIFO space is less than ALTLEN, an alert signal is issued to UART to enable flow control. If ALTSCM is set to 1, remaining FIFO space == ALTLEN also trigger the alert signal. Normally, ALTLEN shall be larger than 16 for UART application.

83010E44 DMA14 FFSIZE DMA CR4 Channel 14 Virtual FIFO Size Register 00000000

Bit	31	30	29	28	27	26	25	24	23	22	21	20	19	18	17	16
Name																
Type																

Reset																
Bit	15	14	13	12	11	10	9	8	7	6	5	4	3	2	1	0
Name	FFSIZE															
Type	RW															
Reset	0	0	0	0	0	0	0	0	0	0	0	0	0	0	0	0

Bit(s)	Name	Description
15:0	FFSIZE	Specifies the FIFO Size of Virtual FIFO DMA

83010E48 DMA14 CVFF **DMA CR4 Channel 14 Cascade Virtual FIFO Control Register** **00000000**

Bit	31	30	29	28	27	26	25	24	23	22	21	20	19	18	17	16
Name	CASCADED_PORT_ADDR															
Type	RW															
Reset	0	0	0	0	0	0	0	0	0	0	0	0	0	0	0	0
Bit	15	14	13	12	11	10	9	8	7	6	5	4	3	2	1	0
Name	CASCADED_PORT_ADDR															CVFF_ENB
Type	RW															RW
Reset	0	0	0	0	0	0	0	0	0	0	0	0	0	0	0	0

Bit(s)	Name	Description
31:1	CASCADED_PORT_ADDR	Please fill in the other peripheral's virtual port address.
0	CVFF_ENB	When CVFF_EN is set to 1, DMA will change the source/destination from sysram to the other fixed address.

83010E50 DMA14 TO **DMA CR4 Channel 14 Timeout Value Register** **00000000**

Bit	31	30	29	28	27	26	25	24	23	22	21	20	19	18	17	16
Name	TIMEOUT_COUNTER															
Type	RW															
Reset	0	0	0	0	0	0	0	0	0	0	0	0	0	0	0	0
Bit	15	14	13	12	11	10	9	8	7	6	5	4	3	2	1	0
Name	TIMEOUT_COUNTER															
Type	RW															
Reset	0	0	0	0	0	0	0	0	0	0	0	0	0	0	0	0

Bit(s)	Name	Description
31:0	TIMEOUT_COUNTER	Interrupt will assert if there is no new data into fifo more than n T(bus clock).

83010F10 DMA15_COUNT DMA CR4 Channel 15 Transfer Count Register 00000000

Bit	31	30	29	28	27	26	25	24	23	22	21	20	19	18	17	16
Name																
Type																
Reset																
Bit	15	14	13	12	11	10	9	8	7	6	5	4	3	2	1	0
Name	LEN															
Type	RW															
Reset	0	0	0	0	0	0	0	0	0	0	0	0	0	0	0	0

Bit(s)	Name	Description
15:0	LEN	<p>The amount of total transfer count</p> <p>This register specifies the amount of total transfer count that the DMA channel is required to perform. Upon completion, the DMA channel generates an interrupt request to the processor while ITEN in DMA_n_CON is set as '1'. Note that the total size of data being transferred by a DMA channel is determined by LEN together with the SIZE in DMA_n_CON, i.e. LEN x SIZE.</p>

83010F14 DMA15_CON DMA CR4 Channel 15 Control Register 03F00000

Bit	31	30	29	28	27	26	25	24	23	22	21	20	19	18	17	16
Name							MAS							DI R	WP EN	WP SD
Type							RW							RW	RW	RW
Reset							1	1	1	1	1	1		0	0	0
Bit	15	14	13	12	11	10	9	8	7	6	5	4	3	2	1	0
Name	ITEN	TOEN										DREQ	DI NC	SIN C	SIZE	
Type	RW	RW										RW	RW	RW	RW	
Reset	0	0										0	0	0	0	0

Bit(s)	Name	Description
25:20	MAS	<p>Master selection.</p> <p>Specifies which master occupies this DMA channel. Once assigned to certain master, the corresponding DREQ and DACK are connected. For half-size and Virtual FIFO DMA channels, i.e. channels 3 ~ 25, a predefined address is assigned as</p>

Bit(s)	Name	Description
		well.
		Value Selected Master SADDR
		6'd0 : Don't Use
		6'd1 : Don't Use
		6'd2 : I2C-0 (HALF) TX 0x83090000
		6'd3 : I2C-0 (HALF) RX 0x83090000
		6'd4 : I2C-1 (HALF) TX 0x830A0000
		6'd5 : I2C-1 (HALF) RX 0x830A0000
		6'd6 : I2S/Audio (VFF) TX 0x22000000
		6'd7 : I2S/Audio (VFF) RX 0x22000000
		6'd8 : UART0(VFF) TX 0x83030000
		6'd9 : UART0(VFF) RX 0x83030000
		6'd10 : UART1(VFF) TX 0x83040000
		6'd11 : UART1(VFF) RX 0x83040000
		6'd12 : BTIF(VFF) TX 0x830E0000
		6'd13 : BTIF(VFF) RX 0x830E0000
		6'd14 : HIF(USB EP2I HALF) Tx 0x50310000
		6'd15 : HIF(USB EP2O VFF) Rx 0x50310004
		6'd16 : HIF(USB EP3I VFF) Tx 0x50310008
		6'd17 : HIF(USB EP3O VFF) Rx 0x5031000C
		6'd18 : HIF(USB EP4I VFF) Tx 0x50310010
		6'd19 : HIF(USB EP4O HALF) Rx 0x50310014
		6'd20 : ADC(VFF) RX 0x830D0000
		6'd21 : WIFI HIF(HALF) TRX 0x50201000
		6'd22 : not used 0x830B0000
		6'd23 : not used 0x830B0000
		6'd24~37 : VFF Data Port 0x79000m00
		*m is N-12
		other: reserved
		default :6'h3f
		SPI-M use full size channel
		If you use dma moving data from memory to memory (ex :full-size dma) , please select default value asyour master setting
18	DIR	Directions of DMA transfer for half-size and Virtual FIFO DMA channels, i.e. channels 3~25. The direction is from the perspective of the DMA masters. WRITE means read from master device and then write to the address specified in DMA_PGMADDR, and vice versa.
		0 Read (read from system RAM and write to device)
		1 Write (read from device and write to system RAM)
17	WPEN	Address-wrapping for ring buffer. The next address of DMA jumps to WRAP TO address when the current address matches WRAP POINT count.
		0 Disable
		1 Enable
16	WPSD	No effect on channel 12~25 (Virtual FIFO). The side using address-wrapping function. Only one side of a DMA channel can activate address-wrapping function at a time.
		0 Address-wrapping on source .
		1 Address-wrapping on destination.
15	ITEN	No effect on channel 12~25 (Virtual FIFO). DMA transfer completion interrupt enable.
		0 Disable
		1 Enable
14	TOEN	DMA transfer timeout interrupt enable.
		0 Disable
		1 Enable

Bit(s)	Name	Description																					
4	DREQ	<p>No effect on channel 1~11 (Full and Half-size).</p> <p>Throttle and handshake control for DMA transfer</p> <p>0 No throttle control during DMA transfer or transfers occurred only between memories</p> <p>1 Hardware handshake management</p> <p>The DMA master is able to throttle down the transfer rate by way of request-grant handshake.</p> <p>MAS Selected Master suggest DREQ setting</p> <p>6'd6 : I2S/Audio (VFF) TX 1</p> <p>6'd7 : I2S/Audio (VFF) RX 1</p> <p>6'd8 : UART0(VFF) TX 1</p> <p>6'd9 : UART0(VFF) RX 1</p> <p>6'd10 : UART1(VFF) TX 1</p> <p>6'd11 : UART1(VFF) RX 1</p> <p>6'd12 : BTIF(VFF) TX 1</p> <p>6'd13 : BTIF(VFF) RX 1</p> <p>6'd15 : HIF(USB EP2O VFF) Rx 1</p> <p>6'd16 : HIF(USB EP3I VFF) Tx 1</p> <p>6'd17 : HIF(USB EP3O VFF) Rx 1</p> <p>6'd18 : HIF(USB EP4I VFF) Tx 1</p> <p>6'd20 : ADC(VFF) RX 1</p>																					
3	DINC	<p>Incremental destination address. Destination addresses increase every transfer. If the setting of SIZE is Byte, Destination addresses increase by 1 every single transfer. If Half-Word, increase by 2; and if Word, increase by 4.</p> <p>0 Disable</p> <p>1 Enable</p> <p>No effect on channel 12~25 (Virtual FIFO). Destination address is the master fixed address for read(TX) or the Virtual FIFO write pointer for write(RX)</p>																					
2	SINC	<p>Incremental source address. Source addresses increase every transfer. If the setting of SIZE is Byte, Source addresses increase by 1 every single transfer. If Half-Word, increase by 2; and if Word, increase by 4.</p> <p>0 Disable</p> <p>1 Enable</p> <p>No effect on channel 12~25 (Virtual FIFO). Source address is the Virtual FIFO read pointer for read(TX) or the master fixed address for write(RX).</p>																					
1:0	SIZE	<p>Data size within the confine of a bus cycle per transfer. These bits confines the data transfer size between source and destination to the</p> <p>specified value for individual bus cycle. The size is in terms of byte and has maximum value of 4 bytes. It is mainly decided by the data width of</p> <p>a DMA master.</p> <p>00 Byte transfer/1 byte</p> <p>01 Half-word transfer/2 bytes</p> <p>10 Word transfer/4 bytes</p> <p>11 Reserved</p> <p>The SIZE register setting depends on devices. The following table lists all VFIFO channels, associated devices, and data width per beat.</p> <table border="1"> <thead> <tr> <th>channel</th> <th>Module</th> <th>Support DMA beat size</th> </tr> </thead> <tbody> <tr> <td>VFIFO12</td> <td>I2S TX</td> <td>4Byte</td> </tr> <tr> <td>VFIFO13</td> <td>I2S RX</td> <td>4Byte</td> </tr> <tr> <td>VFIFO14</td> <td>UART0 TX</td> <td>1Byte</td> </tr> <tr> <td>VFIFO15</td> <td>UART0 RX</td> <td>1Byte</td> </tr> <tr> <td>VFIFO16</td> <td>UART1 TX</td> <td>1Byte</td> </tr> <tr> <td>VFIFO17</td> <td>UART1 RX</td> <td>1Byte</td> </tr> </tbody> </table>	channel	Module	Support DMA beat size	VFIFO12	I2S TX	4Byte	VFIFO13	I2S RX	4Byte	VFIFO14	UART0 TX	1Byte	VFIFO15	UART0 RX	1Byte	VFIFO16	UART1 TX	1Byte	VFIFO17	UART1 RX	1Byte
channel	Module	Support DMA beat size																					
VFIFO12	I2S TX	4Byte																					
VFIFO13	I2S RX	4Byte																					
VFIFO14	UART0 TX	1Byte																					
VFIFO15	UART0 RX	1Byte																					
VFIFO16	UART1 TX	1Byte																					
VFIFO17	UART1 RX	1Byte																					

Bit(s)	Name	Description
	VFIFO18	BTIF TX 1Byte
	VFIFO19	BTIF RX 1Byte
	VFIFO20	HIF(USB EP2O VFF) Rx 4Byte
	VFIFO21	HIF(USB EP3I VFF) Tx 4Byte
	VFIFO22	HIF(USB EP3O VFF) Rx 4Byte
	VFIFO23	HIF(USB EP4I VFF) Tx 4Byte
	VFIFO24	HIF(USB EP4O VFF) Rx 4Byte
	VFIFO25	ADC(VFF) RX 4Byte

83010F18 DMA15_START DMA CR4 Channel 15 Start Register 00000000

Bit	31	30	29	28	27	26	25	24	23	22	21	20	19	18	17	16
Name																
Type																
Reset																
Bit	15	14	13	12	11	10	9	8	7	6	5	4	3	2	1	0
Name	STR															
Type	RW															
Reset	0															

Bit(s)	Name	Description
15	STR	Start control for a DMA channel. 0 The DMA channel is stopped. 1 The DMA channel is started and running.

83010F1C DMA15_INTSTA DMA CR4 Channel 15 Interrupt Status Register 00000000

Bit	31	30	29	28	27	26	25	24	23	22	21	20	19	18	17	16
Name																TOINT
Type																RO
Reset																0
Bit	15	14	13	12	11	10	9	8	7	6	5	4	3	2	1	0
Name	INT															
Type	RO															
Reset	0															

Bit(s)	Name	Description
16	TOINT	Timeout Interrupt Status for DMA Channel 0 No interrupt request is generated. 1 One interrupt request is pending and waiting for service. No effect on channel 1~11 (Full and Half-size).

Bit(s)	Name	Description
15	INT	Interrupt Status for DMA Channel 0 No interrupt request is generated. 1 One interrupt request is pending and waiting for service.

83010F20 DMA15 ACKINT DMA CR4 Channel 15 Interrupt Acknowledge Register 00000000

Bit	31	30	29	28	27	26	25	24	23	22	21	20	19	18	17	16
Name																TOACK
Type																WO
Reset																0
Bit	15	14	13	12	11	10	9	8	7	6	5	4	3	2	1	0
Name	ACK															
Type	WO															
Reset	0															

Bit(s)	Name	Description
16	TOACK	TOACK Timeout Interrupt acknowledge for the DMA channel 0 No effect 1 Interrupt request is acknowledged and should be relinquished. No effect on channel 1~11 (Full and Half-size).
15	ACK	ACK Interrupt acknowledge for the DMA channel 0 No effect 1 Interrupt request is acknowledged and should be relinquished.

83010F28 DMA15 LIMITER DMA CR4 Channel 15 Bandwidth Limiter Register 00000000

Bit	31	30	29	28	27	26	25	24	23	22	21	20	19	18	17	16
Name																
Type																
Reset																
Bit	15	14	13	12	11	10	9	8	7	6	5	4	3	2	1	0
Name									LIMITER							
Type									RW							
Reset									0	0	0	0	0	0	0	0

Bit(s)	Name	Description
7:0	LIMITER	from 0 to 255. 0 means no limitation, 255 means totally banned, and others mean Bus access permission every 4

Bit(s)	Name	Description
		X n) AHB clock

83010F2C DMA15 PGMADDR DMA CR4 Channel 15 Programmable Address Register 00000000

Bit	31	30	29	28	27	26	25	24	23	22	21	20	19	18	17	16
Name	PGMADDR															
Type	RW															
Reset	0	0	0	0	0	0	0	0	0	0	0	0	0	0	0	0
Bit	15	14	13	12	11	10	9	8	7	6	5	4	3	2	1	0
Name	PGMADDR															
Type	RW															
Reset	0	0	0	0	0	0	0	0	0	0	0	0	0	0	0	0

Bit(s)	Name	Description
31:0	PGMADDR	<p>PGMADDR[31:0] specifies the addresses for a half-size DMA channel or virtual FIFO</p> <p>WRITE : address of the source/destination. READ : current address of the transfer.</p> <p>This address represents a source address if DIR in DMA_CON is set to 0, and represents a destination address if DIR in DMA_CON is set to 1. Before being able to program these register, the software should make sure that STR in DMA_n_START is set to '0', that is the DMA channel is stopped and disabled completely. Otherwise, the DMA channel may run out of order.</p>

83010F30 DMA15 WRPTR DMA CR4 Channel 15 Write Pointer 00000000

Bit	31	30	29	28	27	26	25	24	23	22	21	20	19	18	17	16
Name	WRPTR															
Type	RO															
Reset	0	0	0	0	0	0	0	0	0	0	0	0	0	0	0	0
Bit	15	14	13	12	11	10	9	8	7	6	5	4	3	2	1	0
Name	WRPTR															
Type	RO															
Reset	0	0	0	0	0	0	0	0	0	0	0	0	0	0	0	0

Bit(s)	Name	Description
31:0	WRPTR	Virtual FIFO Write Pointer

83010F34 DMA15_RDPTR DMA CR4 Channel 15 Read Pointer 00000000

Bit	31	30	29	28	27	26	25	24	23	22	21	20	19	18	17	16
Name	RDPTR															
Type	RO															
Reset	0	0	0	0	0	0	0	0	0	0	0	0	0	0	0	0
Bit	15	14	13	12	11	10	9	8	7	6	5	4	3	2	1	0
Name	RDPTR															
Type	RO															
Reset	0	0	0	0	0	0	0	0	0	0	0	0	0	0	0	0

Bit(s)	Name	Description
31:0	RDPTR	Virtual FIFO Read Pointer

83010F38 DMA15_FFCNT DMA CR4 Channel 15 FIFO Count 00000000

Bit	31	30	29	28	27	26	25	24	23	22	21	20	19	18	17	16
Name																
Type																
Reset																
Bit	15	14	13	12	11	10	9	8	7	6	5	4	3	2	1	0
Name	FFCNT															
Type	RW															
Reset	0	0	0	0	0	0	0	0	0	0	0	0	0	0	0	0

Bit(s)	Name	Description
15:0	FFCNT	To display the number of data stored in Virtual FIFO

83010F3C DMA15_FFSTA DMA CR4 Channel 15 FIFO Status 00000000

Bit	31	30	29	28	27	26	25	24	23	22	21	20	19	18	17	16
Name																
Type																
Reset																
Bit	15	14	13	12	11	10	9	8	7	6	5	4	3	2	1	0
Name														AL T	EM PT Y	FU LL
Type														RO	RO	RO
Reset														0	0	0

Bit(s)	Name	Description
2	ALT	To indicate FIFO Count is larger than ALTLEN. DMA issues an alert signal to UART to enable UART flow control. 0 Not reach alert region. 1 Reach alert region.
1	EMPTY	To indicate FIFO is empty. 0 Not Empty 1 Empty
0	FULL	To indicate FIFO is full. 0 Not Full 1 Full

83010F40 DMA15 ALTLEN DMA CR4 Channel 15 Alert Length Register 00000000

Bit	31	30	29	28	27	26	25	24	23	22	21	20	19	18	17	16
Name	AL TS CM															
Type	RW															
Reset	0															
Bit	15	14	13	12	11	10	9	8	7	6	5	4	3	2	1	0
Name	ALTLEN															
Type	RW															
Reset	0	0	0	0	0	0	0	0	0	0	0	0	0	0	0	0

Bit(s)	Name	Description
31	ALTSCM	Specifies the compare equation between ALTLEN and FIFO_SIZE-FIFO_CNT. 1'b0: if ALTLEN > FIFO_SIZE-FIFO_CNT, trigger fifo_alt signal to device for warning device that VFIFO will be full soon. 1'b1: if ALTLEN >= FIFO_SIZE-FIFO_CNT, trigger fifo_alt signal to device for warning device that VFIFO will be full soon.
15:0	ALTLEN	Specifies the Alert Length of Virtual FIFO DMA. Once the remaining FIFO space is less than ALTLEN, an alert signal is issued to UART to enable flow control. If ALTSCM is set to 1, remaining FIFO space == ALTLEN also trigger the alert signal. Normally, ALTLEN shall be larger than 16 for UART application.

83010F44 DMA15 FFSIZE DMA CR4 Channel 15 Virtual FIFO Size Register 00000000

Bit	31	30	29	28	27	26	25	24	23	22	21	20	19	18	17	16
Name																
Type																
Reset																

Bit	15	14	13	12	11	10	9	8	7	6	5	4	3	2	1	0
Name	FFSIZE															
Type	RW															
Reset	0	0	0	0	0	0	0	0	0	0	0	0	0	0	0	0

Bit(s)	Name	Description
15:0	FFSIZE	Specifies the FIFO Size of Virtual FIFO DMA

83010F48 DMA15 CVFF **DMA CR4 Channel 15 Cascade** **00000000**
Virtual FIFO Control Register

Bit	31	30	29	28	27	26	25	24	23	22	21	20	19	18	17	16
Name	CASCADED_PORT_ADDR															
Type	RW															
Reset	0	0	0	0	0	0	0	0	0	0	0	0	0	0	0	0
Bit	15	14	13	12	11	10	9	8	7	6	5	4	3	2	1	0
Name	CASCADED_PORT_ADDR															CVFF_ENB
Type	RW															RW
Reset	0	0	0	0	0	0	0	0	0	0	0	0	0	0	0	0

Bit(s)	Name	Description
31:1	CASCADED_PORT_ADDR	Please fill in the other peripheral's virtual port address. When CVFF_EN is set to 1, DMA will change the source/destination from sysram to the other fixed address.
0	CVFF_ENB	

83010F50 DMA15 TO **DMA CR4 Channel 15 Timeout** **00000000**
Value Register

Bit	31	30	29	28	27	26	25	24	23	22	21	20	19	18	17	16
Name	TIMEOUT_COUNTER															
Type	RW															
Reset	0	0	0	0	0	0	0	0	0	0	0	0	0	0	0	0
Bit	15	14	13	12	11	10	9	8	7	6	5	4	3	2	1	0
Name	TIMEOUT_COUNTER															
Type	RW															
Reset	0	0	0	0	0	0	0	0	0	0	0	0	0	0	0	0

Bit(s)	Name	Description
--------	------	-------------

Bit(s)	Name	Description
31:0	TIMEOUT_COUNTER	Interrupt will assert if there is no new data into fifo more than n T(bus clock).

83011010 DMA16 COUNT **DMA CR4 Channel 16 Transfer Count Register** **00000000**

Bit	31	30	29	28	27	26	25	24	23	22	21	20	19	18	17	16
Name																
Type																
Reset																
Bit	15	14	13	12	11	10	9	8	7	6	5	4	3	2	1	0
Name	LEN															
Type	RW															
Reset	0	0	0	0	0	0	0	0	0	0	0	0	0	0	0	0

Bit(s)	Name	Description
15:0	LEN	<p>The amount of total transfer count</p> <p>This register specifies the amount of total transfer count that the DMA channel is required to perform. Upon completion, the DMA channel generates an interrupt request to the processor while ITEN in DMA_n_CON is set as '1'. Note that the total size of data being transferred by a DMA channel is determined by LEN together with the SIZE in DMA_n_CON, i.e. LEN x SIZE.</p>

83011014 DMA16 CON **DMA CR4 Channel 16 Control Register** **03F00000**

Bit	31	30	29	28	27	26	25	24	23	22	21	20	19	18	17	16
Name							MAS							DI R	WP EN	WP SD
Type							RW							RW	RW	RW
Reset							1	1	1	1	1	1		0	0	0
Bit	15	14	13	12	11	10	9	8	7	6	5	4	3	2	1	0
Name	ITEN	TOEN										DREQ	DI NC	SIN C	SIZE	
Type	RW	RW										RW	RW	RW	RW	
Reset	0	0										0	0	0	0	0

Bit(s)	Name	Description
25:20	MAS	<p>Master selection.</p> <p>Specifies which master occupies this DMA channel. Once assigned to certain master, the corresponding DREQ and DACK are connected. For half-size and Virtual FIFO DMA channels, i.e. channels 3 ~ 25, a predefined address is assigned as</p>

Bit(s)	Name	Description
		well.
		Value Selected Master SADDR
		6'd0 : Don't Use
		6'd1 : Don't Use
		6'd2 : I2C-0 (HALF) TX 0x83090000
		6'd3 : I2C-0 (HALF) RX 0x83090000
		6'd4 : I2C-1 (HALF) TX 0x830A0000
		6'd5 : I2C-1 (HALF) RX 0x830A0000
		6'd6 : I2S/Audio (VFF) TX 0x22000000
		6'd7 : I2S/Audio (VFF) RX 0x22000000
		6'd8 : UART0(VFF) TX 0x83030000
		6'd9 : UART0(VFF) RX 0x83030000
		6'd10 : UART1(VFF) TX 0x83040000
		6'd11 : UART1(VFF) RX 0x83040000
		6'd12 : BTIF(VFF) TX 0x830E0000
		6'd13 : BTIF(VFF) RX 0x830E0000
		6'd14 : HIF(USB EP2I HALF) Tx 0x50310000
		6'd15 : HIF(USB EP2O VFF) Rx 0x50310004
		6'd16 : HIF(USB EP3I VFF) Tx 0x50310008
		6'd17 : HIF(USB EP3O VFF) Rx 0x5031000C
		6'd18 : HIF(USB EP4I VFF) Tx 0x50310010
		6'd19 : HIF(USB EP4O HALF) Rx 0x50310014
		6'd20 : ADC(VFF) RX 0x830D0000
		6'd21 : WIFI HIF(HALF) TRX 0x50201000
		6'd22 : not used 0x830B0000
		6'd23 : not used 0x830B0000
		6'd24~37 : VFF Data Port 0x79000m00
		*m is N-12
		other: reserved
		default :6'h3f
		SPI-M use full size channel
		If you use dma moving data from memory to memory (ex :full-size dma) , please select default value asyour master setting
18	DIR	Directions of DMA transfer for half-size and Virtual FIFO DMA channels, i.e. channels 3~25. The direction is from the perspective of the DMA masters. WRITE means read from master device and then write to the address specified in DMA_PGMADDR, and vice versa.
		0 Read (read from system RAM and write to device)
		1 Write (read from device and write to system RAM)
17	WPEN	Address-wrapping for ring buffer. The next address of DMA jumps to WRAP TO address when the current address matches WRAP POINT count.
		0 Disable
		1 Enable
16	WPSD	No effect on channel 12~25 (Virtual FIFO). The side using address-wrapping function. Only one side of a DMA channel can activate address-wrapping function at a time.
		0 Address-wrapping on source .
		1 Address-wrapping on destination.
15	ITEN	No effect on channel 12~25 (Virtual FIFO). DMA transfer completion interrupt enable.
		0 Disable
		1 Enable
14	TOEN	DMA transfer timeout interrupt enable.
		0 Disable
		1 Enable

Bit(s)	Name	Description																					
4	DREQ	<p>No effect on channel 1~11 .</p> <p>Throttle and handshake control for DMA transfer</p> <p>0 No throttle control during DMA transfer or transfers occurred only between memories</p> <p>1 Hardware handshake management</p> <p>The DMA master is able to throttle down the transfer rate by way of request-grant handshake.</p> <p>MAS Selected Master suggest DREQ setting</p> <p>6'd6 : I2S/Audio (VFF) TX 1</p> <p>6'd7 : I2S/Audio (VFF) RX 1</p> <p>6'd8 : UART0(VFF) TX 1</p> <p>6'd9 : UART0(VFF) RX 1</p> <p>6'd10 : UART1(VFF) TX 1</p> <p>6'd11 : UART1(VFF) RX 1</p> <p>6'd12 : BTIF(VFF) TX 1</p> <p>6'd13 : BTIF(VFF) RX 1</p> <p>6'd15 : HIF(USB EP2O VFF) Rx 1</p> <p>6'd16 : HIF(USB EP3I VFF) Tx 1</p> <p>6'd17 : HIF(USB EP3O VFF) Rx 1</p> <p>6'd18 : HIF(USB EP4I VFF) Tx 1</p> <p>6'd20 : ADC(VFF) RX 1</p>																					
3	DINC	<p>Incremental destination address. Destination addresses increase every transfer. If the setting of SIZE is Byte, Destination addresses increase by 1 every single transfer. If Half-Word, increase by 2; and if Word, increase by 4.</p> <p>0 Disable</p> <p>1 Enable</p> <p>No effect on channel 12~25 (Virtual FIFO). Destination address is the master fixed address for read(TX) or the Virtual FIFO write pointer for write(RX)</p>																					
2	SINC	<p>Incremental source address. Source addresses increase every transfer. If the setting of SIZE is Byte, Source addresses increase by 1 every single transfer. If Half-Word, increase by 2; and if Word, increase by 4.</p> <p>0 Disable</p> <p>1 Enable</p> <p>No effect on channel 12~25 (Virtual FIFO). Source address is the Virtual FIFO read pointer for read(TX) or the master fixed address for write(RX).</p>																					
1:0	SIZE	<p>Data size within the confine of a bus cycle per transfer. These bits confines the data transfer size between source and destination to the</p> <p>specified value for individual bus cycle. The size is in terms of byte and has maximum value of 4 bytes. It is mainly decided by the data width of</p> <p>a DMA master.</p> <p>00 Byte transfer/1 byte</p> <p>01 Half-word transfer/2 bytes</p> <p>10 Word transfer/4 bytes</p> <p>11 Reserved</p> <p>The SIZE register setting depends on devices. The following table lists all VFIFO channels, associated devices, and data width per beat.</p> <table border="1"> <thead> <tr> <th>channel</th> <th>Module</th> <th>Support DMA beat size</th> </tr> </thead> <tbody> <tr> <td>VFIFO12</td> <td>I2S TX</td> <td>4Byte</td> </tr> <tr> <td>VFIFO13</td> <td>I2S RX</td> <td>4Byte</td> </tr> <tr> <td>VFIFO14</td> <td>UART0 TX</td> <td>1Byte</td> </tr> <tr> <td>VFIFO15</td> <td>UART0 RX</td> <td>1Byte</td> </tr> <tr> <td>VFIFO16</td> <td>UART1 TX</td> <td>1Byte</td> </tr> <tr> <td>VFIFO17</td> <td>UART1 RX</td> <td>1Byte</td> </tr> </tbody> </table>	channel	Module	Support DMA beat size	VFIFO12	I2S TX	4Byte	VFIFO13	I2S RX	4Byte	VFIFO14	UART0 TX	1Byte	VFIFO15	UART0 RX	1Byte	VFIFO16	UART1 TX	1Byte	VFIFO17	UART1 RX	1Byte
channel	Module	Support DMA beat size																					
VFIFO12	I2S TX	4Byte																					
VFIFO13	I2S RX	4Byte																					
VFIFO14	UART0 TX	1Byte																					
VFIFO15	UART0 RX	1Byte																					
VFIFO16	UART1 TX	1Byte																					
VFIFO17	UART1 RX	1Byte																					

Bit(s)	Name	Description
	VFIFO18	BTIF TX 1Byte
	VFIFO19	BTIF RX 1Byte
	VFIFO20	HIF(USB EP2O VFF) Rx 4Byte
	VFIFO21	HIF(USB EP3I VFF) Tx 4Byte
	VFIFO22	HIF(USB EP3O VFF) Rx 4Byte
	VFIFO23	HIF(USB EP4I VFF) Tx 4Byte
	VFIFO24	HIF(USB EP4O VFF) Rx 4Byte
	VFIFO25	ADC(VFF) RX 4Byte

83011018 DMA16 START DMA CR4 Channel 16 Start Register 00000000

Bit	31	30	29	28	27	26	25	24	23	22	21	20	19	18	17	16
Name																
Type																
Reset																
Bit	15	14	13	12	11	10	9	8	7	6	5	4	3	2	1	0
Name	STR															
Type	RW															
Reset	0															

Bit(s)	Name	Description
15	STR	Start control for a DMA channel. 0 The DMA channel is stopped. 1 The DMA channel is started and running.

8301101C DMA16 INTSTA DMA CR4 Channel 16 Interrupt Status Register 00000000

Bit	31	30	29	28	27	26	25	24	23	22	21	20	19	18	17	16
Name																TOINT
Type																RO
Reset																0
Bit	15	14	13	12	11	10	9	8	7	6	5	4	3	2	1	0
Name	INT															
Type	RO															
Reset	0															

Bit(s)	Name	Description
16	TOINT	Timeout Interrupt Status for DMA Channel 0 No interrupt request is generated. 1 One interrupt request is pending and waiting for service. No effect on channel 1~11 (Full and Half-size).

Bit(s)	Name	Description
15	INT	Interrupt Status for DMA Channel 0 No interrupt request is generated. 1 One interrupt request is pending and waiting for service.

83011020 DMA16 ACKINT DMA CR4 Channel 16 Interrupt Acknowledge Register 00000000

Bit	31	30	29	28	27	26	25	24	23	22	21	20	19	18	17	16
Name																TOACK
Type																WO
Reset																0
Bit	15	14	13	12	11	10	9	8	7	6	5	4	3	2	1	0
Name	ACK															
Type	WO															
Reset	0															

Bit(s)	Name	Description
16	TOACK	TOACK Timeout Interrupt acknowledge for the DMA channel 0 No effect 1 Interrupt request is acknowledged and should be relinquished. No effect on channel 1~11 (Full and Half-size).
15	ACK	ACK Interrupt acknowledge for the DMA channel 0 No effect 1 Interrupt request is acknowledged and should be relinquished.

83011028 DMA16 LIMITER DMA CR4 Channel 16 Bandwidth Limiter Register 00000000

Bit	31	30	29	28	27	26	25	24	23	22	21	20	19	18	17	16
Name																
Type																
Reset																
Bit	15	14	13	12	11	10	9	8	7	6	5	4	3	2	1	0
Name									LIMITER							
Type									RW							
Reset									0	0	0	0	0	0	0	0

Bit(s)	Name	Description
7:0	LIMITER	from 0 to 255. 0 means no limitation, 255 means totally banned, and others mean Bus access permission every 4

Bit(s)	Name	Description
		X n) AHB clock

8301102C DMA16 PGMADDR DMA CR4 Channel 16 Programmable Address Register 00000000

Bit	31	30	29	28	27	26	25	24	23	22	21	20	19	18	17	16
Name	PGMADDR															
Type	RW															
Reset	0	0	0	0	0	0	0	0	0	0	0	0	0	0	0	0
Bit	15	14	13	12	11	10	9	8	7	6	5	4	3	2	1	0
Name	PGMADDR															
Type	RW															
Reset	0	0	0	0	0	0	0	0	0	0	0	0	0	0	0	0

Bit(s)	Name	Description
31:0	PGMADDR	PGMADDR[31:0] specifies the addresses for a half-size DMA channel or virtual FIFO WRITE : address of the source/destination. READ : current address of the transfer. This address represents a source address if DIR in DMA_CON is set to 0, and represents a destination address if DIR in DMA_CON is set to 1. Before being able to program these register, the software should make sure that STR in DMA _n _START is set to '0', that is the DMA channel is stopped and disabled completely. Otherwise, the DMA channel may run out of order.

83011030 DMA16 WRPTR DMA CR4 Channel 16 Write Pointer 00000000

Bit	31	30	29	28	27	26	25	24	23	22	21	20	19	18	17	16
Name	WRPTR															
Type	RO															
Reset	0	0	0	0	0	0	0	0	0	0	0	0	0	0	0	0
Bit	15	14	13	12	11	10	9	8	7	6	5	4	3	2	1	0
Name	WRPTR															
Type	RO															
Reset	0	0	0	0	0	0	0	0	0	0	0	0	0	0	0	0

Bit(s)	Name	Description
31:0	WRPTR	Virtual FIFO Write Pointer

83011034 DMA16 RDPTR DMA CR4 Channel 16 Read Pointer 00000000

Bit	31	30	29	28	27	26	25	24	23	22	21	20	19	18	17	16
Name	RDPTR															
Type	RO															
Reset	0	0	0	0	0	0	0	0	0	0	0	0	0	0	0	0
Bit	15	14	13	12	11	10	9	8	7	6	5	4	3	2	1	0
Name	RDPTR															
Type	RO															
Reset	0	0	0	0	0	0	0	0	0	0	0	0	0	0	0	0

Bit(s)	Name	Description
31:0	RDPTR	Virtual FIFO Read Pointer

83011038 DMA16 FFCNT DMA CR4 Channel 16 FIFO Count 00000000

Bit	31	30	29	28	27	26	25	24	23	22	21	20	19	18	17	16
Name																
Type																
Reset																
Bit	15	14	13	12	11	10	9	8	7	6	5	4	3	2	1	0
Name	FFCNT															
Type	RW															
Reset	0	0	0	0	0	0	0	0	0	0	0	0	0	0	0	0

Bit(s)	Name	Description
15:0	FFCNT	To display the number of data stored in Virtual FIFO

8301103C DMA16 FFSTA DMA CR4 Channel 16 FIFO Status 00000000

Bit	31	30	29	28	27	26	25	24	23	22	21	20	19	18	17	16
Name																
Type																
Reset																
Bit	15	14	13	12	11	10	9	8	7	6	5	4	3	2	1	0
Name														AL T	EM PT Y	FU LL
Type														RO	RO	RO
Reset														0	0	0

Bit(s)	Name	Description
2	ALT	To indicate FIFO Count is larger than ALTLEN. DMA issues an alert signal to UART to enable UART flow control. 0 Not reach alert region. 1 Reach alert region.
1	EMPTY	To indicate FIFO is empty. 0 Not Empty 1 Empty
0	FULL	To indicate FIFO is full. 0 Not Full 1 Full

83011040 DMA16 ALTLEN DMA CR4 Channel 16 Alert Length Register 00000000

Bit	31	30	29	28	27	26	25	24	23	22	21	20	19	18	17	16
Name	ALTS															
Type	RW															
Reset	0															
Bit	15	14	13	12	11	10	9	8	7	6	5	4	3	2	1	0
Name	ALTLEN															
Type	RW															
Reset	0	0	0	0	0	0	0	0	0	0	0	0	0	0	0	0

Bit(s)	Name	Description
31	ALTSCM	Specifies the compare equation between ALTLEN and FIFO_SIZE-FIFO_CNT. 1'b0: if ALTLEN > FIFO_SIZE-FIFO_CNT, trigger fifo_alt signal to device for warning device that VFIFO will be full soon. 1'b1: if ALTLEN >= FIFO_SIZE-FIFO_CNT, trigger fifo_alt signal to device for warning device that VFIFO will be full soon.
15:0	ALTLEN	Specifies the Alert Length of Virtual FIFO DMA. Once the remaining FIFO space is less than ALTLEN, an alert signal is issued to UART to enable flow control. If ALTSCM is set to 1, remaining FIFO space == ALTLEN also trigger the alert signal. Normally, ALTLEN shall be larger than 16 for UART application.

83011044 DMA16 FFSIZE DMA CR4 Channel 16 Virtual FIFO Size Register 00000000

Bit	31	30	29	28	27	26	25	24	23	22	21	20	19	18	17	16
Name																
Type																
Reset																

Bit	15	14	13	12	11	10	9	8	7	6	5	4	3	2	1	0
Name	FFSIZE															
Type	RW															
Reset	0	0	0	0	0	0	0	0	0	0	0	0	0	0	0	0

Bit(s)	Name	Description
15:0	FFSIZE	Specifies the FIFO Size of Virtual FIFO DMA

83011048 DMA16 CVFF **DMA CR4 Channel 16 Cascade Virtual FIFO Control Register** **00000000**

Bit	31	30	29	28	27	26	25	24	23	22	21	20	19	18	17	16
Name	CASCADED_PORT_ADDR															
Type	RW															
Reset	0	0	0	0	0	0	0	0	0	0	0	0	0	0	0	0
Bit	15	14	13	12	11	10	9	8	7	6	5	4	3	2	1	0
Name	CASCADED_PORT_ADDR															CVFF_ENB
Type	RW															RW
Reset	0	0	0	0	0	0	0	0	0	0	0	0	0	0	0	0

Bit(s)	Name	Description
31:1	CASCADED_PORT_ADDR	Please fill in the other peripheral's virtual port address. When CVFF_EN is set to 1, DMA will change the source/destination from sysram to the other fixed address.
0	CVFF_ENB	

83011050 DMA16 TO **DMA CR4 Channel 16 Timeout Value Register** **00000000**

Bit	31	30	29	28	27	26	25	24	23	22	21	20	19	18	17	16
Name	TIMEOUT_COUNTER															
Type	RW															
Reset	0	0	0	0	0	0	0	0	0	0	0	0	0	0	0	0
Bit	15	14	13	12	11	10	9	8	7	6	5	4	3	2	1	0
Name	TIMEOUT_COUNTER															
Type	RW															
Reset	0	0	0	0	0	0	0	0	0	0	0	0	0	0	0	0

Bit(s)	Name	Description
--------	------	-------------

Bit(s)	Name	Description
31:0	TIMEOUT_COUNTER	Interrupt will assert if there is no new data into fifo more than n T(bus clock).

83011110 DMA17 COUNT DMA CR4 Channel 17 Transfer Count Register 00000000

Bit	31	30	29	28	27	26	25	24	23	22	21	20	19	18	17	16
Name																
Type																
Reset																
Bit	15	14	13	12	11	10	9	8	7	6	5	4	3	2	1	0
Name	LEN															
Type	RW															
Reset	0	0	0	0	0	0	0	0	0	0	0	0	0	0	0	0

Bit(s)	Name	Description
15:0	LEN	<p>The amount of total transfer count</p> <p>This register specifies the amount of total transfer count that the DMA channel is required to perform. Upon completion, the DMA channel generates an interrupt request to the processor while ITEN in DMA_n_CON is set as '1'. Note that the total size of data being transferred by a DMA channel is determined by LEN together with the SIZE in DMA_n_CON, i.e. LEN x SIZE.</p>

83011114 DMA17 CON DMA CR4 Channel 17 Control Register 03F00000

Bit	31	30	29	28	27	26	25	24	23	22	21	20	19	18	17	16
Name							MAS							DI R	WP EN	WP SD
Type							RW							RW	RW	RW
Reset							1	1	1	1	1	1		0	0	0
Bit	15	14	13	12	11	10	9	8	7	6	5	4	3	2	1	0
Name	ITEN	TOEN										DREQ	DI NC	SIN C	SIZE	
Type	RW	RW										RW	RW	RW	RW	
Reset	0	0										0	0	0	0	0

Bit(s)	Name	Description
25:20	MAS	<p>Master selection.</p> <p>Specifies which master occupies this DMA channel. Once assigned to certain master, the corresponding DREQ and DACK are connected. For half-size and Virtual FIFO DMA channels, i.e. channels 3 ~ 25, a predefined address is assigned as</p>

Bit(s)	Name	Description
		well.
		Value Selected Master SADDR
		6'd0 : Don't Use
		6'd1 : Don't Use
		6'd2 : I2C-0 (HALF) TX 0x83090000
		6'd3 : I2C-0 (HALF) RX 0x83090000
		6'd4 : I2C-1 (HALF) TX 0x830A0000
		6'd5 : I2C-1 (HALF) RX 0x830A0000
		6'd6 : I2S/Audio (VFF) TX 0x22000000
		6'd7 : I2S/Audio (VFF) RX 0x22000000
		6'd8 : UART0(VFF) TX 0x83030000
		6'd9 : UART0(VFF) RX 0x83030000
		6'd10 : UART1(VFF) TX 0x83040000
		6'd11 : UART1(VFF) RX 0x83040000
		6'd12 : BTIF(VFF) TX 0x830E0000
		6'd13 : BTIF(VFF) RX 0x830E0000
		6'd14 : HIF(USB EP2I HALF) Tx 0x50310000
		6'd15 : HIF(USB EP2O VFF) Rx 0x50310004
		6'd16 : HIF(USB EP3I VFF) Tx 0x50310008
		6'd17 : HIF(USB EP3O VFF) Rx 0x5031000C
		6'd18 : HIF(USB EP4I VFF) Tx 0x50310010
		6'd19 : HIF(USB EP4O HALF) Rx 0x50310014
		6'd20 : ADC(VFF) RX 0x830D0000
		6'd21 : WIFI HIF(HALF) TRX 0x50201000
		6'd22 : not used 0x830B0000
		6'd23 : not used 0x830B0000
		6'd24~37 : VFF Data Port 0x79000m00
		*m is N-12
		other: reserved
		default :6'h3f
		SPI-M use full size channel
		If you use dma moving data from memory to memory (ex :full-size dma) , please select default value asyour master setting
18	DIR	Directions of DMA transfer for half-size and Virtual FIFO DMA channels, i.e. channels 3~25. The direction is from the perspective of the DMA masters. WRITE means read from master device and then write to the address specified in DMA_PGMADDR, and vice versa.
		0 Read (read from system RAM and write to device)
		1 Write (read from device and write to system RAM)
17	WPEN	Address-wrapping for ring buffer. The next address of DMA jumps to WRAP TO address when the current address matches WRAP POINT count.
		0 Disable
		1 Enable
16	WPSD	No effect on channel 12~25 (Virtual FIFO). The side using address-wrapping function. Only one side of a DMA channel can activate address-wrapping function at a time.
		0 Address-wrapping on source .
		1 Address-wrapping on destination.
15	ITEN	No effect on channel 12~25 (Virtual FIFO). DMA transfer completion interrupt enable.
		0 Disable
		1 Enable
14	TOEN	DMA transfer timeout interrupt enable.
		0 Disable
		1 Enable

Bit(s)	Name	Description																					
4	DREQ	<p>No effect on channel 1~11 (Full and Half-size).</p> <p>Throttle and handshake control for DMA transfer</p> <p>0 No throttle control during DMA transfer or transfers occurred only between memories</p> <p>1 Hardware handshake management</p> <p>The DMA master is able to throttle down the transfer rate by way of request-grant handshake.</p> <p>MAS Selected Master suggest DREQ setting</p> <p>6'd6 : I2S/Audio (VFF) TX 1</p> <p>6'd7 : I2S/Audio (VFF) RX 1</p> <p>6'd8 : UART0(VFF) TX 1</p> <p>6'd9 : UART0(VFF) RX 1</p> <p>6'd10 : UART1(VFF) TX 1</p> <p>6'd11 : UART1(VFF) RX 1</p> <p>6'd12 : BTIF(VFF) TX 1</p> <p>6'd13 : BTIF(VFF) RX 1</p> <p>6'd15 : HIF(USB EP2O VFF) Rx 1</p> <p>6'd16 : HIF(USB EP3I VFF) Tx 1</p> <p>6'd17 : HIF(USB EP3O VFF) Rx 1</p> <p>6'd18 : HIF(USB EP4I VFF) Tx 1</p> <p>6'd20 : ADC(VFF) RX 1</p>																					
3	DINC	<p>Incremental destination address. Destination addresses increase every transfer. If the setting of SIZE is Byte, Destination addresses increase by 1 every single transfer. If Half-Word, increase by 2; and if Word, increase by 4.</p> <p>0 Disable</p> <p>1 Enable</p> <p>No effect on channel 12~25 (Virtual FIFO). Destination address is the master fixed address for read(TX) or the Virtual FIFO write pointer for write(RX)</p>																					
2	SINC	<p>Incremental source address. Source addresses increase every transfer. If the setting of SIZE is Byte, Source addresses increase by 1 every single transfer. If Half-Word, increase by 2; and if Word, increase by 4.</p> <p>0 Disable</p> <p>1 Enable</p> <p>No effect on channel 12~25 (Virtual FIFO). Source address is the Virtual FIFO read pointer for read(TX) or the master fixed address for write(RX).</p>																					
1:0	SIZE	<p>Data size within the confine of a bus cycle per transfer. These bits confines the data transfer size between source and destination to the</p> <p>specified value for individual bus cycle. The size is in terms of byte and has maximum value of 4 bytes. It is mainly decided by the data width of</p> <p>a DMA master.</p> <p>00 Byte transfer/1 byte</p> <p>01 Half-word transfer/2 bytes</p> <p>10 Word transfer/4 bytes</p> <p>11 Reserved</p> <p>The SIZE register setting depends on devices. The following table lists all VFIFO channels, associated devices, and data width per beat.</p> <table border="1"> <thead> <tr> <th>channel</th> <th>Module</th> <th>Support DMA beat size</th> </tr> </thead> <tbody> <tr> <td>VFIFO12</td> <td>I2S TX</td> <td>4Byte</td> </tr> <tr> <td>VFIFO13</td> <td>I2S RX</td> <td>4Byte</td> </tr> <tr> <td>VFIFO14</td> <td>UART0 TX</td> <td>1Byte</td> </tr> <tr> <td>VFIFO15</td> <td>UART0 RX</td> <td>1Byte</td> </tr> <tr> <td>VFIFO16</td> <td>UART1 TX</td> <td>1Byte</td> </tr> <tr> <td>VFIFO17</td> <td>UART1 RX</td> <td>1Byte</td> </tr> </tbody> </table>	channel	Module	Support DMA beat size	VFIFO12	I2S TX	4Byte	VFIFO13	I2S RX	4Byte	VFIFO14	UART0 TX	1Byte	VFIFO15	UART0 RX	1Byte	VFIFO16	UART1 TX	1Byte	VFIFO17	UART1 RX	1Byte
channel	Module	Support DMA beat size																					
VFIFO12	I2S TX	4Byte																					
VFIFO13	I2S RX	4Byte																					
VFIFO14	UART0 TX	1Byte																					
VFIFO15	UART0 RX	1Byte																					
VFIFO16	UART1 TX	1Byte																					
VFIFO17	UART1 RX	1Byte																					

Bit(s)	Name	Description
	VFIFO18	BTIF TX 1Byte
	VFIFO19	BTIF RX 1Byte
	VFIFO20	HIF(USB EP2O VFF) Rx 4Byte
	VFIFO21	HIF(USB EP3I VFF) Tx 4Byte
	VFIFO22	HIF(USB EP3O VFF) Rx 4Byte
	VFIFO23	HIF(USB EP4I VFF) Tx 4Byte
	VFIFO24	HIF(USB EP4O VFF) Rx 4Byte
	VFIFO25	ADC(VFF) RX 4Byte

83011118 DMA17 START DMA CR4 Channel 17 Start Register 00000000

Bit	31	30	29	28	27	26	25	24	23	22	21	20	19	18	17	16
Name																
Type																
Reset																
Bit	15	14	13	12	11	10	9	8	7	6	5	4	3	2	1	0
Name	STR															
Type	RW															
Reset	0															

Bit(s)	Name	Description
15	STR	Start control for a DMA channel. 0 The DMA channel is stopped. 1 The DMA channel is started and running.

8301111C DMA17 INTSTA DMA CR4 Channel 17 Interrupt Status Register 00000000

Bit	31	30	29	28	27	26	25	24	23	22	21	20	19	18	17	16
Name																TOINT
Type																RO
Reset																0
Bit	15	14	13	12	11	10	9	8	7	6	5	4	3	2	1	0
Name	INT															
Type	RO															
Reset	0															

Bit(s)	Name	Description
16	TOINT	Timeout Interrupt Status for DMA Channel 0 No interrupt request is generated. 1 One interrupt request is pending and waiting for service. No effect on channel 1~11 (Full and Half-size).

Bit(s)	Name	Description
15	INT	Interrupt Status for DMA Channel 0 No interrupt request is generated. 1 One interrupt request is pending and waiting for service.

83011120 DMA17 ACKINT DMA CR4 Channel 17 Interrupt Acknowledge Register 00000000

Bit	31	30	29	28	27	26	25	24	23	22	21	20	19	18	17	16
Name																TOACK
Type																WO
Reset																0
Bit	15	14	13	12	11	10	9	8	7	6	5	4	3	2	1	0
Name	ACK															
Type	WO															
Reset	0															

Bit(s)	Name	Description
16	TOACK	TOACK Timeout Interrupt acknowledge for the DMA channel 0 No effect 1 Interrupt request is acknowledged and should be relinquished. No effect on channel 1~11 (Full and Half-size).
15	ACK	ACK Interrupt acknowledge for the DMA channel 0 No effect 1 Interrupt request is acknowledged and should be relinquished.

83011128 DMA17 LIMITER DMA CR4 Channel 17 Bandwidth Limiter Register 00000000

Bit	31	30	29	28	27	26	25	24	23	22	21	20	19	18	17	16
Name																
Type																
Reset																
Bit	15	14	13	12	11	10	9	8	7	6	5	4	3	2	1	0
Name									LIMITER							
Type									RW							
Reset									0	0	0	0	0	0	0	0

Bit(s)	Name	Description
7:0	LIMITER	from 0 to 255. 0 means no limitation, 255 means totally banned, and others mean Bus access permission every 4

Bit(s)	Name	Description
		X n) AHB clock

8301112C DMA17 PGMADDR DMA CR4 Channel 17 Programmable Address Register 00000000

Bit	31	30	29	28	27	26	25	24	23	22	21	20	19	18	17	16
Name	PGMADDR															
Type	RW															
Reset	0	0	0	0	0	0	0	0	0	0	0	0	0	0	0	0
Bit	15	14	13	12	11	10	9	8	7	6	5	4	3	2	1	0
Name	PGMADDR															
Type	RW															
Reset	0	0	0	0	0	0	0	0	0	0	0	0	0	0	0	0

Bit(s)	Name	Description
31:0	PGMADDR	PGMADDR[31:0] specifies the addresses for a half-size DMA channel or virtual FIFO WRITE : address of the source/destination. READ : current address of the transfer. This address represents a source address if DIR in DMA_CON is set to 0, and represents a destination address if DIR in DMA_CON is set to 1. Before being able to program these register, the software should make sure that STR in DMA _n _START is set to '0', that is the DMA channel is stopped and disabled completely. Otherwise, the DMA channel may run out of order.

83011130 DMA17 WRPTR DMA CR4 Channel 17 Write Pointer 00000000

Bit	31	30	29	28	27	26	25	24	23	22	21	20	19	18	17	16
Name	WRPTR															
Type	RO															
Reset	0	0	0	0	0	0	0	0	0	0	0	0	0	0	0	0
Bit	15	14	13	12	11	10	9	8	7	6	5	4	3	2	1	0
Name	WRPTR															
Type	RO															
Reset	0	0	0	0	0	0	0	0	0	0	0	0	0	0	0	0

Bit(s)	Name	Description
31:0	WRPTR	Virtual FIFO Write Pointer

83011134 DMA17 RDPTR DMA CR4 Channel 17 Read Pointer 00000000

Bit	31	30	29	28	27	26	25	24	23	22	21	20	19	18	17	16
Name	RDPTR															
Type	RO															
Reset	0	0	0	0	0	0	0	0	0	0	0	0	0	0	0	0
Bit	15	14	13	12	11	10	9	8	7	6	5	4	3	2	1	0
Name	RDPTR															
Type	RO															
Reset	0	0	0	0	0	0	0	0	0	0	0	0	0	0	0	0

Bit(s)	Name	Description
31:0	RDPTR	Virtual FIFO Read Pointer

83011138 DMA17 FFCNT DMA CR4 Channel 17 FIFO Count 00000000

Bit	31	30	29	28	27	26	25	24	23	22	21	20	19	18	17	16
Name																
Type																
Reset																
Bit	15	14	13	12	11	10	9	8	7	6	5	4	3	2	1	0
Name	FFCNT															
Type	RW															
Reset	0	0	0	0	0	0	0	0	0	0	0	0	0	0	0	0

Bit(s)	Name	Description
15:0	FFCNT	To display the number of data stored in Virtual FIFO

8301113C DMA17 FFSTA DMA CR4 Channel 17 FIFO Status 00000000

Bit	31	30	29	28	27	26	25	24	23	22	21	20	19	18	17	16
Name																
Type																
Reset																
Bit	15	14	13	12	11	10	9	8	7	6	5	4	3	2	1	0
Name														AL T	EM PT Y	FU LL
Type														RO	RO	RO
Reset														0	0	0

Bit(s)	Name	Description
2	ALT	To indicate FIFO Count is larger than ALTLEN. DMA issues an alert signal to UART to enable UART flow control. 0 Not reach alert region. 1 Reach alert region.
1	EMPTY	To indicate FIFO is empty. 0 Not Empty 1 Empty
0	FULL	To indicate FIFO is full. 0 Not Full 1 Full

83011140 DMA17 ALTLEN DMA CR4 Channel 17 Alert Length Register 00000000

Bit	31	30	29	28	27	26	25	24	23	22	21	20	19	18	17	16
Name	ALTS															
Type	RW															
Reset	0															
Bit	15	14	13	12	11	10	9	8	7	6	5	4	3	2	1	0
Name	ALTLEN															
Type	RW															
Reset	0	0	0	0	0	0	0	0	0	0	0	0	0	0	0	0

Bit(s)	Name	Description
31	ALTSCM	Specifies the compare equation between ALTLEN and FIFO_SIZE-FIFO_CNT. 1'b0: if ALTLEN > FIFO_SIZE-FIFO_CNT, trigger fifo_alt signal to device for warning device that VFIFO will be full soon. 1'b1: if ALTLEN >= FIFO_SIZE-FIFO_CNT, trigger fifo_alt signal to device for warning device that VFIFO will be full soon.
15:0	ALTLEN	Specifies the Alert Length of Virtual FIFO DMA. Once the remaining FIFO space is less than ALTLEN, an alert signal is issued to UART to enable flow control. If ALTSCM is set to 1, remaining FIFO space == ALTLEN also trigger the alert signal. Normally, ALTLEN shall be larger than 16 for UART application.

83011144 DMA17 FFSIZE DMA CR4 Channel 17 Virtual FIFO Size Register 00000000

Bit	31	30	29	28	27	26	25	24	23	22	21	20	19	18	17	16
Name																
Type																
Reset																

Bit	15	14	13	12	11	10	9	8	7	6	5	4	3	2	1	0
Name	FFSIZE															
Type	RW															
Reset	0	0	0	0	0	0	0	0	0	0	0	0	0	0	0	0

Bit(s)	Name	Description
15:0	FFSIZE	Specifies the FIFO Size of Virtual FIFO DMA

83011148 DMA17 CVFF DMA CR4 Channel 17 Cascade Virtual FIFO Control Register 00000000

Bit	31	30	29	28	27	26	25	24	23	22	21	20	19	18	17	16
Name	CASCADED_PORT_ADDR															
Type	RW															
Reset	0	0	0	0	0	0	0	0	0	0	0	0	0	0	0	0
Bit	15	14	13	12	11	10	9	8	7	6	5	4	3	2	1	0
Name	CASCADED_PORT_ADDR															CVFF_ENB
Type	RW															RW
Reset	0	0	0	0	0	0	0	0	0	0	0	0	0	0	0	0

Bit(s)	Name	Description
31:1	CASCADED_PORT_ADDR	Please fill in the other peripheral's virtual port address. When CVFF_EN is set to 1, DMA will change the source/destination from sysram to the other fixed address.
0	CVFF_ENB	

83011150 DMA17 TO DMA CR4 Channel 17 Timeout Value Register 00000000

Bit	31	30	29	28	27	26	25	24	23	22	21	20	19	18	17	16
Name	TIMEOUT_COUNTER															
Type	RW															
Reset	0	0	0	0	0	0	0	0	0	0	0	0	0	0	0	0
Bit	15	14	13	12	11	10	9	8	7	6	5	4	3	2	1	0
Name	TIMEOUT_COUNTER															
Type	RW															
Reset	0	0	0	0	0	0	0	0	0	0	0	0	0	0	0	0

Bit(s)	Name	Description
--------	------	-------------

Bit(s)	Name	Description
31:0	TIMEOUT_COUNTER	Interrupt will assert if there is no new data into fifo more than n T(bus clock).

83011210 DMA18 COUNT DMA CR4 Channel 18 Transfer Count Register 00000000

Bit	31	30	29	28	27	26	25	24	23	22	21	20	19	18	17	16
Name																
Type																
Reset																
Bit	15	14	13	12	11	10	9	8	7	6	5	4	3	2	1	0
Name	LEN															
Type	RW															
Reset	0	0	0	0	0	0	0	0	0	0	0	0	0	0	0	0

Bit(s)	Name	Description
15:0	LEN	<p>The amount of total transfer count</p> <p>This register specifies the amount of total transfer count that the DMA channel is required to perform. Upon completion, the DMA channel generates an interrupt request to the processor while ITEN in DMA_n_CON is set as '1'. Note that the total size of data being transferred by a DMA channel is determined by LEN together with the SIZE in DMA_n_CON, i.e. LEN x SIZE.</p>

83011214 DMA18 CON DMA CR4 Channel 18 Control Register 03F00000

Bit	31	30	29	28	27	26	25	24	23	22	21	20	19	18	17	16
Name							MAS							DI R	WP EN	WP SD
Type							RW							RW	RW	RW
Reset							1	1	1	1	1	1		0	0	0
Bit	15	14	13	12	11	10	9	8	7	6	5	4	3	2	1	0
Name	ITEN	TOEN										DREQ	DI NC	SIN C	SIZE	
Type	RW	RW										RW	RW	RW	RW	
Reset	0	0										0	0	0	0	0

Bit(s)	Name	Description
25:20	MAS	<p>Master selection.</p> <p>Specifies which master occupies this DMA channel. Once assigned to certain master, the corresponding DREQ and DACK are connected. For half-size and Virtual FIFO DMA channels, i.e. channels 3 ~ 25, a predefined address is assigned as</p>

Bit(s)	Name	Description
		well.
		Value Selected Master SADDR
		6'd0 : Don't Use
		6'd1 : Don't Use
		6'd2 : I2C-0 (HALF) TX 0x83090000
		6'd3 : I2C-0 (HALF) RX 0x83090000
		6'd4 : I2C-1 (HALF) TX 0x830A0000
		6'd5 : I2C-1 (HALF) RX 0x830A0000
		6'd6 : I2S/Audio (VFF) TX 0x22000000
		6'd7 : I2S/Audio (VFF) RX 0x22000000
		6'd8 : UART0(VFF) TX 0x83030000
		6'd9 : UART0(VFF) RX 0x83030000
		6'd10 : UART1(VFF) TX 0x83040000
		6'd11 : UART1(VFF) RX 0x83040000
		6'd12 : BTIF(VFF) TX 0x830E0000
		6'd13 : BTIF(VFF) RX 0x830E0000
		6'd14 : HIF(USB EP2I HALF) Tx 0x50310000
		6'd15 : HIF(USB EP2O VFF) Rx 0x50310004
		6'd16 : HIF(USB EP3I VFF) Tx 0x50310008
		6'd17 : HIF(USB EP3O VFF) Rx 0x5031000C
		6'd18 : HIF(USB EP4I VFF) Tx 0x50310010
		6'd19 : HIF(USB EP4O HALF) Rx 0x50310014
		6'd20 : ADC(VFF) RX 0x830D0000
		6'd21 : WIFI HIF(HALF) TRX 0x50201000
		6'd22 : not used 0x830B0000
		6'd23 : not used 0x830B0000
		6'd24~37 : VFF Data Port 0x79000m00
		*m is N-12
		other: reserved
		default :6'h3f
		SPI-M use full size channel
18	DIR	If you use dma moving data from memory to memory (ex :full-size dma) , please select default value asyour master setting Directions of DMA transfer for half-size and Virtual FIFO DMA channels, i.e. channels 3~25. The direction is from the perspective of the DMA masters. WRITE means read from master device and then write to the address specified in DMA_PGMADDR, and vice versa.
17	WPEN	0 Read (read from system RAM and write to device) 1 Write (read from device and write to system RAM) Address-wrapping for ring buffer. The next address of DMA jumps to WRAP TO address when the current address matches WRAP POINT count. 0 Disable 1 Enable
16	WPSD	No effect on channel 12~25 (Virtual FIFO). The side using address-wrapping function. Only one side of a DMA channel can activate address-wrapping function at a time. 0 Address-wrapping on source . 1 Address-wrapping on destination.
15	ITEN	No effect on channel 12~25 (Virtual FIFO). DMA transfer completion interrupt enable. 0 Disable 1 Enable
14	TOEN	DMA transfer timeout interrupt enable. 0 Disable 1 Enable

Bit(s)	Name	Description																					
4	DREQ	<p>No effect on channel 1~11 (Full and Half-size).</p> <p>Throttle and handshake control for DMA transfer</p> <p>0 No throttle control during DMA transfer or transfers occurred only between memories</p> <p>1 Hardware handshake management</p> <p>The DMA master is able to throttle down the transfer rate by way of request-grant handshake.</p> <p>MAS Selected Master suggest DREQ setting</p> <p>6'd6 : I2S/Audio (VFF) TX 1</p> <p>6'd7 : I2S/Audio (VFF) RX 1</p> <p>6'd8 : UART0(VFF) TX 1</p> <p>6'd9 : UART0(VFF) RX 1</p> <p>6'd10 : UART1(VFF) TX 1</p> <p>6'd11 : UART1(VFF) RX 1</p> <p>6'd12 : BTIF(VFF) TX 1</p> <p>6'd13 : BTIF(VFF) RX 1</p> <p>6'd15 : HIF(USB EP2O VFF) Rx 1</p> <p>6'd16 : HIF(USB EP3I VFF) Tx 1</p> <p>6'd17 : HIF(USB EP3O VFF) Rx 1</p> <p>6'd18 : HIF(USB EP4I VFF) Tx 1</p> <p>6'd20 : ADC(VFF) RX 1</p>																					
3	DINC	<p>Incremental destination address. Destination addresses increase every transfer. If the setting of SIZE is Byte, Destination addresses increase by 1 every single transfer. If Half-Word, increase by 2; and if Word, increase by 4.</p> <p>0 Disable</p> <p>1 Enable</p> <p>No effect on channel 12~25 (Virtual FIFO). Destination address is the master fixed address for read(TX) or the Virtual FIFO write pointer for write(RX)</p>																					
2	SINC	<p>Incremental source address. Source addresses increase every transfer. If the setting of SIZE is Byte, Source addresses increase by 1 every single transfer. If Half-Word, increase by 2; and if Word, increase by 4.</p> <p>0 Disable</p> <p>1 Enable</p> <p>No effect on channel 12~25 (Virtual FIFO). Source address is the Virtual FIFO read pointer for read(TX) or the master fixed address for write(RX).</p>																					
1:0	SIZE	<p>Data size within the confine of a bus cycle per transfer. These bits confines the data transfer size between source and destination to the</p> <p>specified value for individual bus cycle. The size is in terms of byte and has maximum value of 4 bytes. It is mainly decided by the data width of</p> <p>a DMA master.</p> <p>00 Byte transfer/1 byte</p> <p>01 Half-word transfer/2 bytes</p> <p>10 Word transfer/4 bytes</p> <p>11 Reserved</p> <p>The SIZE register setting depends on devices. The following table lists all VFIFO channels, associated devices, and data width per beat.</p> <table border="1"> <thead> <tr> <th>channel</th> <th>Module</th> <th>Support DMA beat size</th> </tr> </thead> <tbody> <tr> <td>VFIFO12</td> <td>I2S TX</td> <td>4Byte</td> </tr> <tr> <td>VFIFO13</td> <td>I2S RX</td> <td>4Byte</td> </tr> <tr> <td>VFIFO14</td> <td>UART0 TX</td> <td>1Byte</td> </tr> <tr> <td>VFIFO15</td> <td>UART0 RX</td> <td>1Byte</td> </tr> <tr> <td>VFIFO16</td> <td>UART1 TX</td> <td>1Byte</td> </tr> <tr> <td>VFIFO17</td> <td>UART1 RX</td> <td>1Byte</td> </tr> </tbody> </table>	channel	Module	Support DMA beat size	VFIFO12	I2S TX	4Byte	VFIFO13	I2S RX	4Byte	VFIFO14	UART0 TX	1Byte	VFIFO15	UART0 RX	1Byte	VFIFO16	UART1 TX	1Byte	VFIFO17	UART1 RX	1Byte
channel	Module	Support DMA beat size																					
VFIFO12	I2S TX	4Byte																					
VFIFO13	I2S RX	4Byte																					
VFIFO14	UART0 TX	1Byte																					
VFIFO15	UART0 RX	1Byte																					
VFIFO16	UART1 TX	1Byte																					
VFIFO17	UART1 RX	1Byte																					

Bit(s)	Name	Description
	VFIFO18	BTIF TX 1Byte
	VFIFO19	BTIF RX 1Byte
	VFIFO20	HIF(USB EP2O VFF) Rx 4Byte
	VFIFO21	HIF(USB EP3I VFF) Tx 4Byte
	VFIFO22	HIF(USB EP3O VFF) Rx 4Byte
	VFIFO23	HIF(USB EP4I VFF) Tx 4Byte
	VFIFO24	HIF(USB EP4O VFF) Rx 4Byte
	VFIFO25	ADC(VFF) RX 4Byte

83011218 DMA18 START DMA CR4 Channel 18 Start Register 00000000

Bit	31	30	29	28	27	26	25	24	23	22	21	20	19	18	17	16
Name																
Type																
Reset																
Bit	15	14	13	12	11	10	9	8	7	6	5	4	3	2	1	0
Name	STR															
Type	RW															
Reset	0															

Bit(s)	Name	Description
15	STR	Start control for a DMA channel. 0 The DMA channel is stopped. 1 The DMA channel is started and running.

8301121C DMA18 INTSTA DMA CR4 Channel 18 Interrupt Status Register 00000000

Bit	31	30	29	28	27	26	25	24	23	22	21	20	19	18	17	16
Name																TOINT
Type																RO
Reset																0
Bit	15	14	13	12	11	10	9	8	7	6	5	4	3	2	1	0
Name	INT															
Type	RO															
Reset	0															

Bit(s)	Name	Description
16	TOINT	Timeout Interrupt Status for DMA Channel 0 No interrupt request is generated. 1 One interrupt request is pending and waiting for service. No effect on channel 1~11 (Full and Half-size).

Bit(s)	Name	Description
15	INT	Interrupt Status for DMA Channel 0 No interrupt request is generated. 1 One interrupt request is pending and waiting for service.

83011220 DMA18 ACKINT DMA CR4 Channel 18 Interrupt Acknowledge Register 00000000

Bit	31	30	29	28	27	26	25	24	23	22	21	20	19	18	17	16
Name																TOACK
Type																WO
Reset																0
Bit	15	14	13	12	11	10	9	8	7	6	5	4	3	2	1	0
Name	ACK															
Type	WO															
Reset	0															

Bit(s)	Name	Description
16	TOACK	TOACK Timeout Interrupt acknowledge for the DMA channel 0 No effect 1 Interrupt request is acknowledged and should be relinquished. No effect on channel 1~11 (Full and Half-size).
15	ACK	ACK Interrupt acknowledge for the DMA channel 0 No effect 1 Interrupt request is acknowledged and should be relinquished.

83011228 DMA18 LIMITER DMA CR4 Channel 18 Bandwidth Limiter Register 00000000

Bit	31	30	29	28	27	26	25	24	23	22	21	20	19	18	17	16
Name																
Type																
Reset																
Bit	15	14	13	12	11	10	9	8	7	6	5	4	3	2	1	0
Name									LIMITER							
Type									RW							
Reset									0	0	0	0	0	0	0	0

Bit(s)	Name	Description
7:0	LIMITER	from 0 to 255. 0 means no limitation, 255 means totally banned, and others mean Bus access permission every 4

Bit(s)	Name	Description
		X n) AHB clock

8301122C DMA18 PGMADDR DMA CR4 Channel 18 Programmable Address Register 00000000

Bit	31	30	29	28	27	26	25	24	23	22	21	20	19	18	17	16
Name	PGMADDR															
Type	RW															
Reset	0	0	0	0	0	0	0	0	0	0	0	0	0	0	0	0
Bit	15	14	13	12	11	10	9	8	7	6	5	4	3	2	1	0
Name	PGMADDR															
Type	RW															
Reset	0	0	0	0	0	0	0	0	0	0	0	0	0	0	0	0

Bit(s)	Name	Description
31:0	PGMADDR	PGMADDR[31:0] specifies the addresses for a half-size DMA channel or virtual FIFO WRITE : address of the source/destination. READ : current address of the transfer. This address represents a source address if DIR in DMA_CON is set to 0, and represents a destination address if DIR in DMA_CON is set to 1. Before being able to program these register, the software should make sure that STR in DMA _n _START is set to '0', that is the DMA channel is stopped and disabled completely. Otherwise, the DMA channel may run out of order.

83011230 DMA18 WRPTR DMA CR4 Channel 18 Write Pointer 00000000

Bit	31	30	29	28	27	26	25	24	23	22	21	20	19	18	17	16
Name	WRPTR															
Type	RO															
Reset	0	0	0	0	0	0	0	0	0	0	0	0	0	0	0	0
Bit	15	14	13	12	11	10	9	8	7	6	5	4	3	2	1	0
Name	WRPTR															
Type	RO															
Reset	0	0	0	0	0	0	0	0	0	0	0	0	0	0	0	0

Bit(s)	Name	Description
31:0	WRPTR	Virtual FIFO Write Pointer

83011234 DMA18 RDPTR DMA CR4 Channel 18 Read Pointer 00000000

Bit	31	30	29	28	27	26	25	24	23	22	21	20	19	18	17	16
Name	RDPTR															
Type	RO															
Reset	0	0	0	0	0	0	0	0	0	0	0	0	0	0	0	0
Bit	15	14	13	12	11	10	9	8	7	6	5	4	3	2	1	0
Name	RDPTR															
Type	RO															
Reset	0	0	0	0	0	0	0	0	0	0	0	0	0	0	0	0

Bit(s)	Name	Description
31:0	RDPTR	Virtual FIFO Read Pointer

83011238 DMA18 FFCNT DMA CR4 Channel 18 FIFO Count 00000000

Bit	31	30	29	28	27	26	25	24	23	22	21	20	19	18	17	16
Name																
Type																
Reset																
Bit	15	14	13	12	11	10	9	8	7	6	5	4	3	2	1	0
Name	FFCNT															
Type	RW															
Reset	0	0	0	0	0	0	0	0	0	0	0	0	0	0	0	0

Bit(s)	Name	Description
15:0	FFCNT	To display the number of data stored in Virtual FIFO

8301123C DMA18 FFSTA DMA CR4 Channel 18 FIFO Status 00000000

Bit	31	30	29	28	27	26	25	24	23	22	21	20	19	18	17	16
Name																
Type																
Reset																
Bit	15	14	13	12	11	10	9	8	7	6	5	4	3	2	1	0
Name														AL T	EM PT Y	FU LL
Type														RO	RO	RO
Reset														0	0	0

Bit(s)	Name	Description
2	ALT	To indicate FIFO Count is larger than ALTLEN. DMA issues an alert signal to UART to enable UART flow control. 0 Not reach alert region. 1 Reach alert region.
1	EMPTY	To indicate FIFO is empty. 0 Not Empty 1 Empty
0	FULL	To indicate FIFO is full. 0 Not Full 1 Full

83011240 DMA18 ALTLEN DMA CR4 Channel 18 Alert Length Register 00000000

Bit	31	30	29	28	27	26	25	24	23	22	21	20	19	18	17	16
Name	ALTS															
Type	RW															
Reset	0															
Bit	15	14	13	12	11	10	9	8	7	6	5	4	3	2	1	0
Name	ALTLEN															
Type	RW															
Reset	0	0	0	0	0	0	0	0	0	0	0	0	0	0	0	0

Bit(s)	Name	Description
31	ALTSCM	Specifies the compare equation between ALTLEN and FIFO_SIZE-FIFO_CNT. 1'b0: if ALTLEN > FIFO_SIZE-FIFO_CNT, trigger fifo_alt signal to device for warning device that VFIFO will be full soon. 1'b1: if ALTLEN >= FIFO_SIZE-FIFO_CNT, trigger fifo_alt signal to device for warning device that VFIFO will be full soon.
15:0	ALTLEN	Specifies the Alert Length of Virtual FIFO DMA. Once the remaining FIFO space is less than ALTLEN, an alert signal is issued to UART to enable flow control. If ALTSCM is set to 1, remaining FIFO space == ALTLEN also trigger the alert signal. Normally, ALTLEN shall be larger than 16 for UART application.

83011244 DMA18 FFSIZE DMA CR4 Channel 18 Virtual FIFO Size Register 00000000

Bit	31	30	29	28	27	26	25	24	23	22	21	20	19	18	17	16
Name																
Type																
Reset																

Bit	15	14	13	12	11	10	9	8	7	6	5	4	3	2	1	0
Name	FFSIZE															
Type	RW															
Reset	0	0	0	0	0	0	0	0	0	0	0	0	0	0	0	0

Bit(s)	Name	Description
15:0	FFSIZE	Specifies the FIFO Size of Virtual FIFO DMA

83011248 DMA18 CVFF DMA CR4 Channel 18 Cascade Virtual FIFO Control Register 00000000

Bit	31	30	29	28	27	26	25	24	23	22	21	20	19	18	17	16
Name	CASCADED_PORT_ADDR															
Type	RW															
Reset	0	0	0	0	0	0	0	0	0	0	0	0	0	0	0	0
Bit	15	14	13	12	11	10	9	8	7	6	5	4	3	2	1	0
Name	CASCADED_PORT_ADDR															CVFF_ENB
Type	RW															RW
Reset	0	0	0	0	0	0	0	0	0	0	0	0	0	0	0	0

Bit(s)	Name	Description
31:1	CASCADED_PORT_ADDR	Please fill in the other peripheral's virtual port address. When CVFF_EN is set to 1, DMA will change the source/destination from sysram to the other fixed address.
0	CVFF_ENB	

83011250 DMA18 TO DMA CR4 Channel 18 Timeout Value Register 00000000

Bit	31	30	29	28	27	26	25	24	23	22	21	20	19	18	17	16
Name	TIMEOUT_COUNTER															
Type	RW															
Reset	0	0	0	0	0	0	0	0	0	0	0	0	0	0	0	0
Bit	15	14	13	12	11	10	9	8	7	6	5	4	3	2	1	0
Name	TIMEOUT_COUNTER															
Type	RW															
Reset	0	0	0	0	0	0	0	0	0	0	0	0	0	0	0	0

Bit(s)	Name	Description
--------	------	-------------

Bit(s)	Name	Description
31:0	TIMEOUT_COUNTER	Interrupt will assert if there is no new data into fifo more than n T(bus clock).

83011310 DMA19_COUNT DMA CR4 Channel 19 Transfer Count Register 00000000

Bit	31	30	29	28	27	26	25	24	23	22	21	20	19	18	17	16
Name																
Type																
Reset																
Bit	15	14	13	12	11	10	9	8	7	6	5	4	3	2	1	0
Name	LEN															
Type	RW															
Reset	0	0	0	0	0	0	0	0	0	0	0	0	0	0	0	0

Bit(s)	Name	Description
15:0	LEN	<p>The amount of total transfer count</p> <p>This register specifies the amount of total transfer count that the DMA channel is required to perform. Upon completion, the DMA channel generates an interrupt request to the processor while ITEN in DMA_n_CON is set as '1'. Note that the total size of data being transferred by a DMA channel is determined by LEN together with the SIZE in DMA_n_CON, i.e. LEN x SIZE.</p>

83011314 DMA19_CON DMA CR4 Channel 19 Control Register 03F00000

Bit	31	30	29	28	27	26	25	24	23	22	21	20	19	18	17	16
Name							MAS							DI R	WP EN	WP SD
Type							RW							RW	RW	RW
Reset							1	1	1	1	1	1		0	0	0
Bit	15	14	13	12	11	10	9	8	7	6	5	4	3	2	1	0
Name	ITEN	TOEN										DREQ	DI NC	SIN C	SIZE	
Type	RW	RW										RW	RW	RW	RW	
Reset	0	0										0	0	0	0	0

Bit(s)	Name	Description
25:20	MAS	<p>Master selection.</p> <p>Specifies which master occupies this DMA channel. Once assigned to certain master, the corresponding DREQ and DACK are connected. For half-size and Virtual FIFO DMA channels, i.e. channels 3 ~ 25, a predefined address is assigned as</p>

Bit(s)	Name	Description
		well.
		Value Selected Master SADDR
		6'd0 : Don't Use
		6'd1 : Don't Use
		6'd2 : I2C-0 (HALF) TX 0x83090000
		6'd3 : I2C-0 (HALF) RX 0x83090000
		6'd4 : I2C-1 (HALF) TX 0x830A0000
		6'd5 : I2C-1 (HALF) RX 0x830A0000
		6'd6 : I2S/Audio (VFF) TX 0x22000000
		6'd7 : I2S/Audio (VFF) RX 0x22000000
		6'd8 : UART0(VFF) TX 0x83030000
		6'd9 : UART0(VFF) RX 0x83030000
		6'd10 : UART1(VFF) TX 0x83040000
		6'd11 : UART1(VFF) RX 0x83040000
		6'd12 : BTIF(VFF) TX 0x830E0000
		6'd13 : BTIF(VFF) RX 0x830E0000
		6'd14 : HIF(USB EP2I HALF) Tx 0x50310000
		6'd15 : HIF(USB EP2O VFF) Rx 0x50310004
		6'd16 : HIF(USB EP3I VFF) Tx 0x50310008
		6'd17 : HIF(USB EP3O VFF) Rx 0x5031000C
		6'd18 : HIF(USB EP4I VFF) Tx 0x50310010
		6'd19 : HIF(USB EP4O HALF) Rx 0x50310014
		6'd20 : ADC(VFF) RX 0x830D0000
		6'd21 : WIFI HIF(HALF) TRX 0x50201000
		6'd22 : not used 0x830B0000
		6'd23 : not used 0x830B0000
		6'd24~37 : VFF Data Port 0x79000m00
		*m is N-12
		other: reserved
		default :6'h3f
		SPI-M use full size channel
		If you use dma moving data from memory to memory (ex :full-size dma) , please select default value asyour master setting
18	DIR	Directions of DMA transfer for half-size and Virtual FIFO DMA channels, i.e. channels 3~25. The direction is from the perspective of the DMA masters. WRITE means read from master device and then write to the address specified in DMA_PGMADDR, and vice versa.
		0 Read (read from system RAM and write to device)
		1 Write (read from device and write to system RAM)
17	WPEN	Address-wrapping for ring buffer. The next address of DMA jumps to WRAP TO address when the current address matches WRAP POINT count.
		0 Disable
		1 Enable
16	WPSD	No effect on channel 12~25 (Virtual FIFO). The side using address-wrapping function. Only one side of a DMA channel can activate address-wrapping function at a time.
		0 Address-wrapping on source .
		1 Address-wrapping on destination.
15	ITEN	No effect on channel 12~25 (Virtual FIFO). DMA transfer completion interrupt enable.
		0 Disable
		1 Enable
14	TOEN	DMA transfer timeout interrupt enable.
		0 Disable
		1 Enable

Bit(s)	Name	Description																					
4	DREQ	<p>No effect on channel 1~11 (Full and Half-size).</p> <p>Throttle and handshake control for DMA transfer</p> <p>0 No throttle control during DMA transfer or transfers occurred only between memories</p> <p>1 Hardware handshake management</p> <p>The DMA master is able to throttle down the transfer rate by way of request-grant handshake.</p> <p>MAS Selected Master suggest DREQ setting</p> <p>6'd6 : I2S/Audio (VFF) TX 1</p> <p>6'd7 : I2S/Audio (VFF) RX 1</p> <p>6'd8 : UART0(VFF) TX 1</p> <p>6'd9 : UART0(VFF) RX 1</p> <p>6'd10 : UART1(VFF) TX 1</p> <p>6'd11 : UART1(VFF) RX 1</p> <p>6'd12 : BTIF(VFF) TX 1</p> <p>6'd13 : BTIF(VFF) RX 1</p> <p>6'd15 : HIF(USB EP2O VFF) Rx 1</p> <p>6'd16 : HIF(USB EP3I VFF) Tx 1</p> <p>6'd17 : HIF(USB EP3O VFF) Rx 1</p> <p>6'd18 : HIF(USB EP4I VFF) Tx 1</p> <p>6'd20 : ADC(VFF) RX 1</p>																					
3	DINC	<p>Incremental destination address. Destination addresses increase every transfer. If the setting of SIZE is Byte, Destination addresses increase by 1 every single transfer. If Half-Word, increase by 2; and if Word, increase by 4.</p> <p>0 Disable</p> <p>1 Enable</p> <p>No effect on channel 12~25 (Virtual FIFO). Destination address is the master fixed address for read(TX) or the Virtual FIFO write pointer for write(RX)</p>																					
2	SINC	<p>Incremental source address. Source addresses increase every transfer. If the setting of SIZE is Byte, Source addresses increase by 1 every single transfer. If Half-Word, increase by 2; and if Word, increase by 4.</p> <p>0 Disable</p> <p>1 Enable</p> <p>No effect on channel 12~25 (Virtual FIFO). Source address is the Virtual FIFO read pointer for read(TX) or the master fixed address for write(RX).</p>																					
1:0	SIZE	<p>Data size within the confine of a bus cycle per transfer. These bits confines the data transfer size between source and destination to the</p> <p>specified value for individual bus cycle. The size is in terms of byte and has maximum value of 4 bytes. It is mainly decided by the data width of</p> <p>a DMA master.</p> <p>00 Byte transfer/1 byte</p> <p>01 Half-word transfer/2 bytes</p> <p>10 Word transfer/4 bytes</p> <p>11 Reserved</p> <p>The SIZE register setting depends on devices. The following table lists all VFIFO channels, associated devices, and data width per beat.</p> <table border="1"> <thead> <tr> <th>channel</th> <th>Module</th> <th>Support DMA beat size</th> </tr> </thead> <tbody> <tr> <td>VFIFO12</td> <td>I2S TX</td> <td>4Byte</td> </tr> <tr> <td>VFIFO13</td> <td>I2S RX</td> <td>4Byte</td> </tr> <tr> <td>VFIFO14</td> <td>UART0 TX</td> <td>1Byte</td> </tr> <tr> <td>VFIFO15</td> <td>UART0 RX</td> <td>1Byte</td> </tr> <tr> <td>VFIFO16</td> <td>UART1 TX</td> <td>1Byte</td> </tr> <tr> <td>VFIFO17</td> <td>UART1 RX</td> <td>1Byte</td> </tr> </tbody> </table>	channel	Module	Support DMA beat size	VFIFO12	I2S TX	4Byte	VFIFO13	I2S RX	4Byte	VFIFO14	UART0 TX	1Byte	VFIFO15	UART0 RX	1Byte	VFIFO16	UART1 TX	1Byte	VFIFO17	UART1 RX	1Byte
channel	Module	Support DMA beat size																					
VFIFO12	I2S TX	4Byte																					
VFIFO13	I2S RX	4Byte																					
VFIFO14	UART0 TX	1Byte																					
VFIFO15	UART0 RX	1Byte																					
VFIFO16	UART1 TX	1Byte																					
VFIFO17	UART1 RX	1Byte																					

Bit(s)	Name	Description
	VFIFO18	BTIF TX 1Byte
	VFIFO19	BTIF RX 1Byte
	VFIFO20	HIF(USB EP2O VFF) Rx 4Byte
	VFIFO21	HIF(USB EP3I VFF) Tx 4Byte
	VFIFO22	HIF(USB EP3O VFF) Rx 4Byte
	VFIFO23	HIF(USB EP4I VFF) Tx 4Byte
	VFIFO24	HIF(USB EP4O VFF) Rx 4Byte
	VFIFO25	ADC(VFF) RX 4Byte

83011318 DMA19 START DMA CR4 Channel 19 Start Register 00000000

Bit	31	30	29	28	27	26	25	24	23	22	21	20	19	18	17	16
Name																
Type																
Reset																
Bit	15	14	13	12	11	10	9	8	7	6	5	4	3	2	1	0
Name	STR															
Type	RW															
Reset	0															

Bit(s)	Name	Description
15	STR	Start control for a DMA channel. 0 The DMA channel is stopped. 1 The DMA channel is started and running.

8301131C DMA19 INTSTA DMA CR4 Channel 19 Interrupt Status Register 00000000

Bit	31	30	29	28	27	26	25	24	23	22	21	20	19	18	17	16
Name																TOINT
Type																RO
Reset																0
Bit	15	14	13	12	11	10	9	8	7	6	5	4	3	2	1	0
Name	INT															
Type	RO															
Reset	0															

Bit(s)	Name	Description
16	TOINT	Timeout Interrupt Status for DMA Channel 0 No interrupt request is generated. 1 One interrupt request is pending and waiting for service. No effect on channel 1~11 (Full and Half-size).

Bit(s)	Name	Description
15	INT	Interrupt Status for DMA Channel 0 No interrupt request is generated. 1 One interrupt request is pending and waiting for service.

83011320 DMA19 ACKINT DMA CR4 Channel 19 Interrupt Acknowledge Register 00000000

Bit	31	30	29	28	27	26	25	24	23	22	21	20	19	18	17	16
Name																TOACK
Type																WO
Reset																0
Bit	15	14	13	12	11	10	9	8	7	6	5	4	3	2	1	0
Name	ACK															
Type	WO															
Reset	0															

Bit(s)	Name	Description
16	TOACK	TOACK Timeout Interrupt acknowledge for the DMA channel 0 No effect 1 Interrupt request is acknowledged and should be relinquished. No effect on channel 1~11 (Full and Half-size).
15	ACK	ACK Interrupt acknowledge for the DMA channel 0 No effect 1 Interrupt request is acknowledged and should be relinquished.

83011328 DMA19 LIMITER DMA CR4 Channel 19 Bandwidth Limiter Register 00000000

Bit	31	30	29	28	27	26	25	24	23	22	21	20	19	18	17	16
Name																
Type																
Reset																
Bit	15	14	13	12	11	10	9	8	7	6	5	4	3	2	1	0
Name									LIMITER							
Type									RW							
Reset									0	0	0	0	0	0	0	0

Bit(s)	Name	Description
7:0	LIMITER	from 0 to 255. 0 means no limitation, 255 means totally banned, and others mean Bus access permission every 4

Bit(s)	Name	Description
		X n) AHB clock

8301132C DMA19 PGMADDR DMA CR4 Channel 19 Programmable Address Register 00000000

Bit	31	30	29	28	27	26	25	24	23	22	21	20	19	18	17	16
Name	PGMADDR															
Type	RW															
Reset	0	0	0	0	0	0	0	0	0	0	0	0	0	0	0	0
Bit	15	14	13	12	11	10	9	8	7	6	5	4	3	2	1	0
Name	PGMADDR															
Type	RW															
Reset	0	0	0	0	0	0	0	0	0	0	0	0	0	0	0	0

Bit(s)	Name	Description
31:0	PGMADDR	<p>PGMADDR[31:0] specifies the addresses for a half-size DMA channel or virtual FIFO</p> <p>WRITE : address of the source/destination. READ : current address of the transfer.</p> <p>This address represents a source address if DIR in DMA_CON is set to 0, and represents a destination address if DIR in DMA_CON is set to 1. Before being able to program these register, the software should make sure that STR in DMA_n_START is set to '0', that is the DMA channel is stopped and disabled completely. Otherwise, the DMA channel may run out of order.</p>

83011330 DMA19 WRPTR DMA CR4 Channel 19 Write Pointer 00000000

Bit	31	30	29	28	27	26	25	24	23	22	21	20	19	18	17	16
Name	WRPTR															
Type	RO															
Reset	0	0	0	0	0	0	0	0	0	0	0	0	0	0	0	0
Bit	15	14	13	12	11	10	9	8	7	6	5	4	3	2	1	0
Name	WRPTR															
Type	RO															
Reset	0	0	0	0	0	0	0	0	0	0	0	0	0	0	0	0

Bit(s)	Name	Description
31:0	WRPTR	Virtual FIFO Write Pointer

83011334 DMA19 RDPTR DMA CR4 Channel 19 Read Pointer 00000000

Bit	31	30	29	28	27	26	25	24	23	22	21	20	19	18	17	16
Name	RDPTR															
Type	RO															
Reset	0	0	0	0	0	0	0	0	0	0	0	0	0	0	0	0
Bit	15	14	13	12	11	10	9	8	7	6	5	4	3	2	1	0
Name	RDPTR															
Type	RO															
Reset	0	0	0	0	0	0	0	0	0	0	0	0	0	0	0	0

Bit(s)	Name	Description
31:0	RDPTR	Virtual FIFO Read Pointer

83011338 DMA19 FFCNT DMA CR4 Channel 19 FIFO Count 00000000

Bit	31	30	29	28	27	26	25	24	23	22	21	20	19	18	17	16
Name																
Type																
Reset																
Bit	15	14	13	12	11	10	9	8	7	6	5	4	3	2	1	0
Name	FFCNT															
Type	RW															
Reset	0	0	0	0	0	0	0	0	0	0	0	0	0	0	0	0

Bit(s)	Name	Description
15:0	FFCNT	To display the number of data stored in Virtual FIFO

8301133C DMA19 FFSTA DMA CR4 Channel 19 FIFO Status 00000000

Bit	31	30	29	28	27	26	25	24	23	22	21	20	19	18	17	16
Name																
Type																
Reset																
Bit	15	14	13	12	11	10	9	8	7	6	5	4	3	2	1	0
Name														AL T	EM PT Y	FU LL
Type														RO	RO	RO
Reset														0	0	0

Bit(s)	Name	Description
2	ALT	To indicate FIFO Count is larger than ALTLEN. DMA issues an alert signal to UART to enable UART flow control. 0 Not reach alert region. 1 Reach alert region.
1	EMPTY	To indicate FIFO is empty. 0 Not Empty 1 Empty
0	FULL	To indicate FIFO is full. 0 Not Full 1 Full

83011340 DMA19 ALTLEN DMA CR4 Channel 19 Alert Length Register 00000000

Bit	31	30	29	28	27	26	25	24	23	22	21	20	19	18	17	16
Name	ALTS															
Type	RW															
Reset	0															
Bit	15	14	13	12	11	10	9	8	7	6	5	4	3	2	1	0
Name	ALTLEN															
Type	RW															
Reset	0	0	0	0	0	0	0	0	0	0	0	0	0	0	0	0

Bit(s)	Name	Description
31	ALTSCM	Specifies the compare equation between ALTLEN and FIFO_SIZE-FIFO_CNT. 1'b0: if ALTLEN > FIFO_SIZE-FIFO_CNT, trigger fifo_alt signal to device for warning device that VFIFO will be full soon. 1'b1: if ALTLEN >= FIFO_SIZE-FIFO_CNT, trigger fifo_alt signal to device for warning device that VFIFO will be full soon.
15:0	ALTLEN	Specifies the Alert Length of Virtual FIFO DMA. Once the remaining FIFO space is less than ALTLEN, an alert signal is issued to UART to enable flow control. If ALTSCM is set to 1, remaining FIFO space == ALTLEN also trigger the alert signal. Normally, ALTLEN shall be larger than 16 for UART application.

83011344 DMA19 FFSIZE DMA CR4 Channel 19 Virtual FIFO Size Register 00000000

Bit	31	30	29	28	27	26	25	24	23	22	21	20	19	18	17	16
Name																
Type																
Reset																

Bit	15	14	13	12	11	10	9	8	7	6	5	4	3	2	1	0
Name	FFSIZE															
Type	RW															
Reset	0	0	0	0	0	0	0	0	0	0	0	0	0	0	0	0

Bit(s)	Name	Description
15:0	FFSIZE	Specifies the FIFO Size of Virtual FIFO DMA

83011348 DMA19 CVFF DMA CR4 Channel 19 Cascade Virtual FIFO Control Register 00000000

Bit	31	30	29	28	27	26	25	24	23	22	21	20	19	18	17	16
Name	CASCADED_PORT_ADDR															
Type	RW															
Reset	0	0	0	0	0	0	0	0	0	0	0	0	0	0	0	0
Bit	15	14	13	12	11	10	9	8	7	6	5	4	3	2	1	0
Name	CASCADED_PORT_ADDR															CVFF_ENB
Type	RW															RW
Reset	0	0	0	0	0	0	0	0	0	0	0	0	0	0	0	0

Bit(s)	Name	Description
31:1	CASCADED_PORT_ADDR	Please fill in the other peripheral's virtual port address. When CVFF_EN is set to 1, DMA will change the source/destination from sysram to the other fixed address.
0	CVFF_ENB	

83011350 DMA19 TO DMA CR4 Channel 19 Timeout Value Register 00000000

Bit	31	30	29	28	27	26	25	24	23	22	21	20	19	18	17	16
Name	TIMEOUT_COUNTER															
Type	RW															
Reset	0	0	0	0	0	0	0	0	0	0	0	0	0	0	0	0
Bit	15	14	13	12	11	10	9	8	7	6	5	4	3	2	1	0
Name	TIMEOUT_COUNTER															
Type	RW															
Reset	0	0	0	0	0	0	0	0	0	0	0	0	0	0	0	0

Bit(s)	Name	Description
--------	------	-------------

Bit(s)	Name	Description
31:0	TIMEOUT_COUNTER	Interrupt will assert if there is no new data into fifo more than n T(bus clock).

83011410 DMA20_COUNT DMA CR4 Channel 20 Transfer Count Register 00000000

Bit	31	30	29	28	27	26	25	24	23	22	21	20	19	18	17	16
Name																
Type																
Reset																
Bit	15	14	13	12	11	10	9	8	7	6	5	4	3	2	1	0
Name	LEN															
Type	RW															
Reset	0	0	0	0	0	0	0	0	0	0	0	0	0	0	0	0

Bit(s)	Name	Description
15:0	LEN	<p>The amount of total transfer count</p> <p>This register specifies the amount of total transfer count that the DMA channel is required to perform. Upon completion, the DMA channel generates an interrupt request to the processor while ITEN in DMA_n_CON is set as '1'. Note that the total size of data being transferred by a DMA channel is determined by LEN together with the SIZE in DMA_n_CON, i.e. LEN x SIZE.</p>

83011414 DMA20_CON DMA CR4 Channel 20 Control Register 03F00000

Bit	31	30	29	28	27	26	25	24	23	22	21	20	19	18	17	16
Name							MAS							DI R	WP EN	WP SD
Type							RW							RW	RW	RW
Reset							1	1	1	1	1	1		0	0	0
Bit	15	14	13	12	11	10	9	8	7	6	5	4	3	2	1	0
Name	ITEN	TOEN										DREQ	DI NC	SIN C	SIZE	
Type	RW	RW										RW	RW	RW	RW	
Reset	0	0										0	0	0	0	0

Bit(s)	Name	Description
25:20	MAS	<p>Master selection.</p> <p>Specifies which master occupies this DMA channel. Once assigned to certain master, the corresponding DREQ and DACK are connected. For half-size and Virtual FIFO DMA channels, i.e. channels 3 ~ 25, a predefined address is assigned as</p>

Bit(s)	Name	Description
		well.
		Value Selected Master SADDR
		6'd0 : Don't Use
		6'd1 : Don't Use
		6'd2 : I2C-0 (HALF) TX 0x83090000
		6'd3 : I2C-0 (HALF) RX 0x83090000
		6'd4 : I2C-1 (HALF) TX 0x830A0000
		6'd5 : I2C-1 (HALF) RX 0x830A0000
		6'd6 : I2S/Audio (VFF) TX 0x22000000
		6'd7 : I2S/Audio (VFF) RX 0x22000000
		6'd8 : UART0(VFF) TX 0x83030000
		6'd9 : UART0(VFF) RX 0x83030000
		6'd10 : UART1(VFF) TX 0x83040000
		6'd11 : UART1(VFF) RX 0x83040000
		6'd12 : BTIF(VFF) TX 0x830E0000
		6'd13 : BTIF(VFF) RX 0x830E0000
		6'd14 : HIF(USB EP2I HALF) Tx 0x50310000
		6'd15 : HIF(USB EP2O VFF) Rx 0x50310004
		6'd16 : HIF(USB EP3I VFF) Tx 0x50310008
		6'd17 : HIF(USB EP3O VFF) Rx 0x5031000C
		6'd18 : HIF(USB EP4I VFF) Tx 0x50310010
		6'd19 : HIF(USB EP4O HALF) Rx 0x50310014
		6'd20 : ADC(VFF) RX 0x830D0000
		6'd21 : WIFI HIF(HALF) TRX 0x50201000
		6'd22 : not used 0x830B0000
		6'd23 : not used 0x830B0000
		6'd24~37 : VFF Data Port 0x79000m00
		*m is N-12
		other: reserved
		default :6'h3f
		SPI-M use full size channel
		If you use dma moving data from memory to memory (ex :full-size dma) , please select default value asyour master setting
18	DIR	Directions of DMA transfer for half-size and Virtual FIFO DMA channels, i.e. channels 3~25. The direction is from the perspective of the DMA masters. WRITE means read from master device and then write to the address specified in DMA_PGMADDR, and vice versa.
		0 Read (read from system RAM and write to device)
		1 Write (read from device and write to system RAM)
17	WPEN	Address-wrapping for ring buffer. The next address of DMA jumps to WRAP TO address when the current address matches WRAP POINT count.
		0 Disable
		1 Enable
16	WPSD	No effect on channel 12~25 (Virtual FIFO). The side using address-wrapping function. Only one side of a DMA channel can activate address-wrapping function at a time.
		0 Address-wrapping on source .
		1 Address-wrapping on destination.
15	ITEN	No effect on channel 12~25 (Virtual FIFO). DMA transfer completion interrupt enable.
		0 Disable
		1 Enable
14	TOEN	DMA transfer timeout interrupt enable.
		0 Disable
		1 Enable

Bit(s)	Name	Description																					
4	DREQ	<p>No effect on channel 1~11 (Full and Half-size).</p> <p>Throttle and handshake control for DMA transfer</p> <p>0 No throttle control during DMA transfer or transfers occurred only between memories</p> <p>1 Hardware handshake management</p> <p>The DMA master is able to throttle down the transfer rate by way of request-grant handshake.</p> <p>MAS Selected Master suggest DREQ setting</p> <p>6'd6 : I2S/Audio (VFF) TX 1</p> <p>6'd7 : I2S/Audio (VFF) RX 1</p> <p>6'd8 : UART0(VFF) TX 1</p> <p>6'd9 : UART0(VFF) RX 1</p> <p>6'd10 : UART1(VFF) TX 1</p> <p>6'd11 : UART1(VFF) RX 1</p> <p>6'd12 : BTIF(VFF) TX 1</p> <p>6'd13 : BTIF(VFF) RX 1</p> <p>6'd15 : HIF(USB EP2O VFF) Rx 1</p> <p>6'd16 : HIF(USB EP3I VFF) Tx 1</p> <p>6'd17 : HIF(USB EP3O VFF) Rx 1</p> <p>6'd18 : HIF(USB EP4I VFF) Tx 1</p> <p>6'd20 : ADC(VFF) RX 1</p>																					
3	DINC	<p>Incremental destination address. Destination addresses increase every transfer. If the setting of SIZE is Byte, Destination addresses increase by 1 every single transfer. If Half-Word, increase by 2; and if Word, increase by 4.</p> <p>0 Disable</p> <p>1 Enable</p> <p>No effect on channel 12~25 (Virtual FIFO). Destination address is the master fixed address for read(TX) or the Virtual FIFO write pointer for write(RX)</p>																					
2	SINC	<p>Incremental source address. Source addresses increase every transfer. If the setting of SIZE is Byte, Source addresses increase by 1 every single transfer. If Half-Word, increase by 2; and if Word, increase by 4.</p> <p>0 Disable</p> <p>1 Enable</p> <p>No effect on channel 12~25 (Virtual FIFO). Source address is the Virtual FIFO read pointer for read(TX) or the master fixed address for write(RX).</p>																					
1:0	SIZE	<p>Data size within the confine of a bus cycle per transfer. These bits confines the data transfer size between source and destination to the</p> <p>specified value for individual bus cycle. The size is in terms of byte and has maximum value of 4 bytes. It is mainly decided by the data width of</p> <p>a DMA master.</p> <p>00 Byte transfer/1 byte</p> <p>01 Half-word transfer/2 bytes</p> <p>10 Word transfer/4 bytes</p> <p>11 Reserved</p> <p>The SIZE register setting depends on devices. The following table lists all VFIFO channels, associated devices, and data width per beat.</p> <table border="1"> <thead> <tr> <th>channel</th> <th>Module</th> <th>Support DMA beat size</th> </tr> </thead> <tbody> <tr> <td>VFIFO12</td> <td>I2S TX</td> <td>4Byte</td> </tr> <tr> <td>VFIFO13</td> <td>I2S RX</td> <td>4Byte</td> </tr> <tr> <td>VFIFO14</td> <td>UART0 TX</td> <td>1Byte</td> </tr> <tr> <td>VFIFO15</td> <td>UART0 RX</td> <td>1Byte</td> </tr> <tr> <td>VFIFO16</td> <td>UART1 TX</td> <td>1Byte</td> </tr> <tr> <td>VFIFO17</td> <td>UART1 RX</td> <td>1Byte</td> </tr> </tbody> </table>	channel	Module	Support DMA beat size	VFIFO12	I2S TX	4Byte	VFIFO13	I2S RX	4Byte	VFIFO14	UART0 TX	1Byte	VFIFO15	UART0 RX	1Byte	VFIFO16	UART1 TX	1Byte	VFIFO17	UART1 RX	1Byte
channel	Module	Support DMA beat size																					
VFIFO12	I2S TX	4Byte																					
VFIFO13	I2S RX	4Byte																					
VFIFO14	UART0 TX	1Byte																					
VFIFO15	UART0 RX	1Byte																					
VFIFO16	UART1 TX	1Byte																					
VFIFO17	UART1 RX	1Byte																					

Bit(s)	Name	Description
	VFIFO18	BTIF TX 1Byte
	VFIFO19	BTIF RX 1Byte
	VFIFO20	HIF(USB EP2O VFF) Rx 4Byte
	VFIFO21	HIF(USB EP3I VFF) Tx 4Byte
	VFIFO22	HIF(USB EP3O VFF) Rx 4Byte
	VFIFO23	HIF(USB EP4I VFF) Tx 4Byte
	VFIFO24	HIF(USB EP4O VFF) Rx 4Byte
	VFIFO25	ADC(VFF) RX 4Byte

83011418 DMA20 START DMA CR4 Channel 20 Start Register 00000000

Bit	31	30	29	28	27	26	25	24	23	22	21	20	19	18	17	16
Name																
Type																
Reset																
Bit	15	14	13	12	11	10	9	8	7	6	5	4	3	2	1	0
Name	STR															
Type	RW															
Reset	0															

Bit(s)	Name	Description
15	STR	Start control for a DMA channel. 0 The DMA channel is stopped. 1 The DMA channel is started and running.

8301141C DMA20 INTSTA DMA CR4 Channel 20 Interrupt Status Register 00000000

Bit	31	30	29	28	27	26	25	24	23	22	21	20	19	18	17	16
Name																TOINT
Type																RO
Reset																0
Bit	15	14	13	12	11	10	9	8	7	6	5	4	3	2	1	0
Name	INT															
Type	RO															
Reset	0															

Bit(s)	Name	Description
16	TOINT	Timeout Interrupt Status for DMA Channel 0 No interrupt request is generated. 1 One interrupt request is pending and waiting for service.

Bit(s)	Name	Description
15	INT	No effect on channel 1~11 (Full and Half-size). Interrupt Status for DMA Channel 0 No interrupt request is generated. 1 One interrupt request is pending and waiting for service.

83011420 DMA20_ACKINT **DMA CR4 Channel 20 Interrupt Acknowledge Register** **00000000**

Bit	31	30	29	28	27	26	25	24	23	22	21	20	19	18	17	16
Name																TOACK
Type																WO
Reset																0
Bit	15	14	13	12	11	10	9	8	7	6	5	4	3	2	1	0
Name	ACK															
Type	WO															
Reset	0															

Bit(s)	Name	Description
16	TOACK	TOACK Timeout Interrupt acknowledge for the DMA channel 0 No effect 1 Interrupt request is acknowledged and should be relinquished.
15	ACK	No effect on channel 1~11 (Full and Half-size). ACK Interrupt acknowledge for the DMA channel 0 No effect 1 Interrupt request is acknowledged and should be relinquished.

83011428 DMA20_LIMITER **DMA CR4 Channel 20 Bandwidth Limiter Register** **00000000**

Bit	31	30	29	28	27	26	25	24	23	22	21	20	19	18	17	16
Name																
Type																
Reset																
Bit	15	14	13	12	11	10	9	8	7	6	5	4	3	2	1	0
Name									LIMITER							
Type									RW							
Reset									0	0	0	0	0	0	0	0

Bit(s)	Name	Description
7:0	LIMITER	from 0 to 255. 0 means no limitation, 255 means totally

Bit(s)	Name	Description
		banned, and others mean Bus access permission every (4 X n) AHB clock

8301142C DMA20 PGMADDR DMA CR4 Channel 20 Programmable Address Register 00000000

Bit	31	30	29	28	27	26	25	24	23	22	21	20	19	18	17	16
Name	PGMADDR															
Type	RW															
Reset	0	0	0	0	0	0	0	0	0	0	0	0	0	0	0	0
Bit	15	14	13	12	11	10	9	8	7	6	5	4	3	2	1	0
Name	PGMADDR															
Type	RW															
Reset	0	0	0	0	0	0	0	0	0	0	0	0	0	0	0	0

Bit(s)	Name	Description
31:0	PGMADDR	<p>PGMADDR[31:0] specifies the addresses for a half-size DMA channel or virtual FIFO</p> <p>WRITE : address of the source/destination. READ : current address of the transfer.</p> <p>This address represents a source address if DIR in DMA_CON is set to 0, and represents a destination address if DIR in DMA_CON is set to 1. Before being able to program these register, the software should make sure that STR in DMA_n_START is set to '0', that is the DMA channel is stopped and disabled completely. Otherwise, the DMA channel may run out of order.</p>

83011430 DMA20 WRPTR DMA CR4 Channel 20 Write Pointer 00000000

Bit	31	30	29	28	27	26	25	24	23	22	21	20	19	18	17	16
Name	WRPTR															
Type	RO															
Reset	0	0	0	0	0	0	0	0	0	0	0	0	0	0	0	0
Bit	15	14	13	12	11	10	9	8	7	6	5	4	3	2	1	0
Name	WRPTR															
Type	RO															
Reset	0	0	0	0	0	0	0	0	0	0	0	0	0	0	0	0

Bit(s)	Name	Description
31:0	WRPTR	Virtual FIFO Write Pointer

Bit(s)	Name	Description
--------	------	-------------

83011434 DMA20 RDPTR DMA CR4 Channel 20 Read Pointer 00000000

Bit	31	30	29	28	27	26	25	24	23	22	21	20	19	18	17	16
Name	RDPTR															
Type	RO															
Reset	0	0	0	0	0	0	0	0	0	0	0	0	0	0	0	0
Bit	15	14	13	12	11	10	9	8	7	6	5	4	3	2	1	0
Name	RDPTR															
Type	RO															
Reset	0	0	0	0	0	0	0	0	0	0	0	0	0	0	0	0

Bit(s)	Name	Description
31:0	RDPTR	Virtual FIFO Read Pointer

83011438 DMA20 FFCNT DMA CR4 Channel 20 FIFO Count 00000000

Bit	31	30	29	28	27	26	25	24	23	22	21	20	19	18	17	16
Name																
Type																
Reset																
Bit	15	14	13	12	11	10	9	8	7	6	5	4	3	2	1	0
Name	FFCNT															
Type	RW															
Reset	0	0	0	0	0	0	0	0	0	0	0	0	0	0	0	0

Bit(s)	Name	Description
15:0	FFCNT	To display the number of data stored in Virtual FIFO

8301143C DMA20 FFSTA DMA CR4 Channel 20 FIFO Status 00000000

Bit	31	30	29	28	27	26	25	24	23	22	21	20	19	18	17	16
Name																
Type																
Reset																
Bit	15	14	13	12	11	10	9	8	7	6	5	4	3	2	1	0
Name														AL T	EM PT	FU LL

Name																
Type																
Reset																
Bit	15	14	13	12	11	10	9	8	7	6	5	4	3	2	1	0
Name	FFSIZE															
Type	RW															
Reset	0	0	0	0	0	0	0	0	0	0	0	0	0	0	0	0

Bit(s)	Name	Description
15:0	FFSIZE	Specifies the FIFO Size of Virtual FIFO DMA

83011448 DMA20 CVFF DMA CR4 Channel 20 Cascade Virtual FIFO Control Register 00000000

Bit	31	30	29	28	27	26	25	24	23	22	21	20	19	18	17	16
Name	CASCADED_PORT_ADDR															
Type	RW															
Reset	0	0	0	0	0	0	0	0	0	0	0	0	0	0	0	0
Bit	15	14	13	12	11	10	9	8	7	6	5	4	3	2	1	0
Name	CASCADED_PORT_ADDR															CVFF_ENB
Type	RW															RW
Reset	0	0	0	0	0	0	0	0	0	0	0	0	0	0	0	0

Bit(s)	Name	Description
31:1	CASCADED_PORT_ADDR	Please fill in the other peripheral's virtual port address.
0	CVFF_ENB	When CVFF_EN is set to 1, DMA will change the source/destination from sysram to the other fixed address.

83011450 DMA20 TO DMA CR4 Channel 20 Timeout Value Register 00000000

Bit	31	30	29	28	27	26	25	24	23	22	21	20	19	18	17	16
Name	TIMEOUT_COUNTER															
Type	RW															
Reset	0	0	0	0	0	0	0	0	0	0	0	0	0	0	0	0
Bit	15	14	13	12	11	10	9	8	7	6	5	4	3	2	1	0
Name	TIMEOUT_COUNTER															
Type	RW															

Reset	0	0	0	0	0	0	0	0	0	0	0	0	0	0	0	0
-------	---	---	---	---	---	---	---	---	---	---	---	---	---	---	---	---

Bit(s)	Name	Description
31:0	TIMEOUT_COUNTER	Interrupt will assert if there is no new data into fifo more than n T(bus clock).

83011510 DMA21 COUNT **DMA CR4 Channel 21 Transfer Count Register** **00000000**

Bit	31	30	29	28	27	26	25	24	23	22	21	20	19	18	17	16
Name																
Type																
Reset																
Bit	15	14	13	12	11	10	9	8	7	6	5	4	3	2	1	0
Name	LEN															
Type	RW															
Reset	0	0	0	0	0	0	0	0	0	0	0	0	0	0	0	0

Bit(s)	Name	Description
15:0	LEN	The amount of total transfer count This register specifies the amount of total transfer count that the DMA channel is required to perform. Upon completion, the DMA channel generates an interrupt request to the processor while ITEN in DMA_CON is set as '1'. Note that the total size of data being transferred by a DMA channel is determined by LEN together with the SIZE in DMA_CON, i.e. LEN x SIZE.

83011514 DMA21 CON **DMA CR4 Channel 21 Control Register** **03F00000**

Bit	31	30	29	28	27	26	25	24	23	22	21	20	19	18	17	16
Name							MAS							DI R	WP EN	WP SD
Type							RW							RW	RW	RW
Reset							1	1	1	1	1	1		0	0	0
Bit	15	14	13	12	11	10	9	8	7	6	5	4	3	2	1	0
Name	ITEN	TOEN											DR EQ	DI NC	SIN C	SIZE
Type	RW	RW											RW	RW	RW	RW
Reset	0	0											0	0	0	0

Bit(s)	Name	Description
25:20	MAS	Master selection.

Bit(s)	Name	Description
		<p>Specifies which master occupies this DMA channel. Once assigned to certain master, the corresponding DREQ and DACK are connected. For half-size and Virtual FIFO DMA channels, i.e. channels 3 ~ 25, a predefined address is assigned as well.</p> <p>Value Selected Master SADDR</p> <p>6'd0 : Don't Use</p> <p>6'd1 : Don't Use</p> <p>6'd2 : I2C-0 (HALF) TX 0x83090000</p> <p>6'd3 : I2C-0 (HALF) RX 0x83090000</p> <p>6'd4 : I2C-1 (HALF) TX 0x830A0000</p> <p>6'd5 : I2C-1 (HALF) RX 0x830A0000</p> <p>6'd6 : I2S/Audio (VFF) TX 0x22000000</p> <p>6'd7 : I2S/Audio (VFF) RX 0x22000000</p> <p>6'd8 : UART0(VFF) TX 0x83030000</p> <p>6'd9 : UART0(VFF) RX 0x83030000</p> <p>6'd10 : UART1(VFF) TX 0x83040000</p> <p>6'd11 : UART1(VFF) RX 0x83040000</p> <p>6'd12 : BTIF(VFF) TX 0x830E0000</p> <p>6'd13 : BTIF(VFF) RX 0x830E0000</p> <p>6'd14 : HIF(USB EP2I HALF) Tx 0x50310000</p> <p>6'd15 : HIF(USB EP2O VFF) Rx 0x50310004</p> <p>6'd16 : HIF(USB EP3I VFF) Tx 0x50310008</p> <p>6'd17 : HIF(USB EP3O VFF) Rx 0x5031000C</p> <p>6'd18 : HIF(USB EP4I VFF) Tx 0x50310010</p> <p>6'd19 : HIF(USB EP4O HALF) Rx 0x50310014</p> <p>6'd20 : ADC(VFF) RX 0x830D0000</p> <p>6'd21 : WIFI HIF(HALF) TRX 0x50201000</p> <p>6'd22 : not used 0x830B0000</p> <p>6'd23 : not used 0x830B0000</p> <p>6'd24~37 : VFF Data Port 0x79000m00</p> <p>*m is N-12</p> <p>other: reserved</p> <p>default :6'h3f</p> <p>SPI-M use full size channel</p> <p>If you use dma moving data from memory to memory (ex :full-size dma) , please select default value as your master setting</p>
18	DIR	<p>Directions of DMA transfer for half-size and Virtual FIFO DMA channels, i.e. channels 3~25. The direction is from the perspective of the DMA masters. WRITE means read from master device and then write to the address specified in DMA_PGMADDR, and vice versa.</p> <p>0 Read (read from system RAM and write to device)</p> <p>1 Write (read from device and write to system RAM)</p>
17	WPEN	<p>Address-wrapping for ring buffer. The next address of DMA jumps to</p> <p>WRAP TO address when the current address matches WRAP POINT count.</p> <p>0 Disable</p> <p>1 Enable</p>
16	WPSD	<p>No effect on channel 12~25 (Virtual FIFO).</p> <p>The side using address-wrapping function. Only one side of a DMA</p> <p>channel can activate address-wrapping function at a time.</p> <p>0 Address-wrapping on source .</p> <p>1 Address-wrapping on destination.</p>
15	ITEN	<p>No effect on channel 12~25 (Virtual FIFO).</p> <p>DMA transfer completion interrupt enable.</p> <p>0 Disable</p>

Bit(s)	Name	Description									
14	TOEN	<p>1 Enable DMA transfer timeout interrupt enable. 0 Disable</p>									
4	DREQ	<p>1 Enable No effect on channel 1~11 (Full and Half-size). Throttle and handshake control for DMA transfer 0 No throttle control during DMA transfer or transfers occurred only between memories 1 Hardware handshake management The DMA master is able to throttle down the transfer rate by way of request-grant handshake. MAS Selected Master suggest DREQ setting 6'd6 : I2S/Audio (VFF) TX 1 6'd7 : I2S/Audio (VFF) RX 1 6'd8 : UART0(VFF) TX 1 6'd9 : UART0(VFF) RX 1 6'd10 : UART1(VFF) TX 1 6'd11 : UART1(VFF) RX 1 6'd12 : BTIF(VFF) TX 1 6'd13 : BTIF(VFF) RX 1 6'd15 : HIF(USB EP2O VFF) Rx 1 6'd16 : HIF(USB EP3I VFF) Tx 1 6'd17 : HIF(USB EP3O VFF) Rx 1 6'd18 : HIF(USB EP4I VFF) Tx 1 6'd20 : ADC(VFF) RX 1</p>									
3	DINC	<p>Incremental destination address. Destination addresses increase every transfer. If the setting of SIZE is Byte, Destination addresses increase by 1 every single transfer. If Half-Word, increase by 2; and if Word, increase by 4. 0 Disable 1 Enable No effect on channel 12~25 (Virtual FIFO). Destination address is the master fixed address for read(TX) or the Virtual FIFO write pointer for write(RX)</p>									
2	SINC	<p>Incremental source address. Source addresses increase every transfer. If the setting of SIZE is Byte, Source addresses increase by 1 every single transfer. If Half-Word, increase by 2; and if Word, increase by 4. 0 Disable 1 Enable No effect on channel 12~25 (Virtual FIFO). Source address is the Virtual FIFO read pointer for read(TX) or the master fixed address for write(RX).</p>									
1:0	SIZE	<p>Data size within the confine of a bus cycle per transfer. These bits confines the data transfer size between source and destination to the specified value for individual bus cycle. The size is in terms of byte and has maximum value of 4 bytes. It is mainly decided by the data width of a DMA master. 00 Byte transfer/1 byte 01 Half-word transfer/2 bytes 10 Word transfer/4 bytes 11 Reserved The SIZE register setting depends on devices. The following table lists all VFIFO channels, associated devices, and data width per beat.</p> <table border="1"> <thead> <tr> <th>channel</th> <th>Module</th> <th>Support DMA beat size</th> </tr> </thead> <tbody> <tr> <td>VFIFO12</td> <td>I2S TX</td> <td>4Byte</td> </tr> <tr> <td>VFIFO13</td> <td>I2S RX</td> <td>4Byte</td> </tr> </tbody> </table>	channel	Module	Support DMA beat size	VFIFO12	I2S TX	4Byte	VFIFO13	I2S RX	4Byte
channel	Module	Support DMA beat size									
VFIFO12	I2S TX	4Byte									
VFIFO13	I2S RX	4Byte									

Bit(s)	Name	Description
	VFIFO14	UART0 TX 1Byte
	VFIFO15	UART0 RX 1Byte
	VFIFO16	UART1 TX 1Byte
	VFIFO17	UART1 RX 1Byte
	VFIFO18	BTIF TX 1Byte
	VFIFO19	BTIF RX 1Byte
	VFIFO20	HIF(USB EP2O VFF) Rx 4Byte
	VFIFO21	HIF(USB EP3I VFF) Tx 4Byte
	VFIFO22	HIF(USB EP3O VFF) Rx 4Byte
	VFIFO23	HIF(USB EP4I VFF) Tx 4Byte
	VFIFO24	HIF(USB EP4O VFF) Rx 4Byte
	VFIFO25	ADC(VFF) RX 4Byte

83011518 DMA21 START DMA CR4 Channel 21 Start Register 00000000

Bit	31	30	29	28	27	26	25	24	23	22	21	20	19	18	17	16
Name																
Type																
Reset																
Bit	15	14	13	12	11	10	9	8	7	6	5	4	3	2	1	0
Name	STR															
Type	RW															
Reset	0															

Bit(s)	Name	Description
15	STR	Start control for a DMA channel. 0 The DMA channel is stopped. 1 The DMA channel is started and running.

8301151C DMA21 INTSTA DMA CR4 Channel 21 Interrupt Status Register 00000000

Bit	31	30	29	28	27	26	25	24	23	22	21	20	19	18	17	16
Name																TOINT
Type																RO
Reset																0
Bit	15	14	13	12	11	10	9	8	7	6	5	4	3	2	1	0
Name	INT															
Type	RO															
Reset	0															

Bit(s)	Name	Description
--------	------	-------------

Bit(s)	Name	Description
16	TOINT	Timeout Interrupt Status for DMA Channel 0 No interrupt request is generated. 1 One interrupt request is pending and waiting for service.
15	INT	Interrupt Status for DMA Channel 0 No interrupt request is generated. 1 One interrupt request is pending and waiting for service.

83011520 DMA21 ACKINT DMA CR4 Channel 21 Interrupt Acknowledge Register 00000000

Bit	31	30	29	28	27	26	25	24	23	22	21	20	19	18	17	16
Name																TOACK
Type																WO
Reset																0
Bit	15	14	13	12	11	10	9	8	7	6	5	4	3	2	1	0
Name	ACK															
Type	WO															
Reset	0															

Bit(s)	Name	Description
16	TOACK	TOACK Timeout Interrupt acknowledge for the DMA channel 0 No effect 1 Interrupt request is acknowledged and should be relinquished.
15	ACK	ACK Interrupt acknowledge for the DMA channel 0 No effect 1 Interrupt request is acknowledged and should be relinquished.

83011528 DMA21 LIMITER DMA CR4 Channel 21 Bandwidth Limiter Register 00000000

Bit	31	30	29	28	27	26	25	24	23	22	21	20	19	18	17	16	
Name																	
Type																	
Reset																	
Bit	15	14	13	12	11	10	9	8	7	6	5	4	3	2	1	0	
Name									LIMITER								
Type									RW								
Reset									0	0	0	0	0	0	0	0	

Bit(s)	Name	Description
7:0	LIMITER	from 0 to 255. 0 means no limitation, 255 means totally banned, and others mean Bus access permission every (4 X n) AHB clock

8301152C DMA21 PGMADDR DMA CR4 Channel 21 Programmable Address Register 00000000

Bit	31	30	29	28	27	26	25	24	23	22	21	20	19	18	17	16
Name	PGMADDR															
Type	RW															
Reset	0	0	0	0	0	0	0	0	0	0	0	0	0	0	0	0
Bit	15	14	13	12	11	10	9	8	7	6	5	4	3	2	1	0
Name	PGMADDR															
Type	RW															
Reset	0	0	0	0	0	0	0	0	0	0	0	0	0	0	0	0

Bit(s)	Name	Description
31:0	PGMADDR	<p>PGMADDR[31:0] specifies the addresses for a half-size DMA channel or virtual FIFO</p> <p>WRITE : address of the source/destination. READ : current address of the transfer.</p> <p>This address represents a source address if DIR in DMA_CON is set to 0, and represents a destination address if DIR in DMA_CON is set to 1. Before being able to program these register, the software should make sure that STR in DMA_n_START is set to '0', that is the DMA channel is stopped and disabled completely. Otherwise, the DMA channel may run out of order.</p>

83011530 DMA21 WRPTR DMA CR4 Channel 21 Write Pointer 00000000

Bit	31	30	29	28	27	26	25	24	23	22	21	20	19	18	17	16
Name	WRPTR															
Type	RO															
Reset	0	0	0	0	0	0	0	0	0	0	0	0	0	0	0	0
Bit	15	14	13	12	11	10	9	8	7	6	5	4	3	2	1	0
Name	WRPTR															
Type	RO															
Reset	0	0	0	0	0	0	0	0	0	0	0	0	0	0	0	0

Bit(s)	Name	Description
31:0	WRPTR	Virtual FIFO Write Pointer

83011534 DMA21 RDPTR DMA CR4 Channel 21 Read Pointer 00000000

Bit	31	30	29	28	27	26	25	24	23	22	21	20	19	18	17	16
Name	RDPTR															
Type	RO															
Reset	0	0	0	0	0	0	0	0	0	0	0	0	0	0	0	0
Bit	15	14	13	12	11	10	9	8	7	6	5	4	3	2	1	0
Name	RDPTR															
Type	RO															
Reset	0	0	0	0	0	0	0	0	0	0	0	0	0	0	0	0

Bit(s)	Name	Description
31:0	RDPTR	Virtual FIFO Read Pointer

83011538 DMA21 FFCNT DMA CR4 Channel 21 FIFO Count 00000000

Bit	31	30	29	28	27	26	25	24	23	22	21	20	19	18	17	16
Name																
Type																
Reset																
Bit	15	14	13	12	11	10	9	8	7	6	5	4	3	2	1	0
Name	FFCNT															
Type	RW															
Reset	0	0	0	0	0	0	0	0	0	0	0	0	0	0	0	0

Bit(s)	Name	Description
15:0	FFCNT	To display the number of data stored in Virtual FIFO

8301153C DMA21 FFSTA DMA CR4 Channel 21 FIFO Status 00000000

Bit	31	30	29	28	27	26	25	24	23	22	21	20	19	18	17	16
Name																
Type																
Reset																
Bit	15	14	13	12	11	10	9	8	7	6	5	4	3	2	1	0
Name														AL T	EM PT Y	FU LL
Type														RO	RO	RO

Reset																
Bit	15	14	13	12	11	10	9	8	7	6	5	4	3	2	1	0
Name	FFSIZE															
Type	RW															
Reset	0	0	0	0	0	0	0	0	0	0	0	0	0	0	0	0

Bit(s)	Name	Description
15:0	FFSIZE	Specifies the FIFO Size of Virtual FIFO DMA

83011548 DMA21 CVFF DMA CR4 Channel 21 Cascade Virtual FIFO Control Register 00000000

Bit	31	30	29	28	27	26	25	24	23	22	21	20	19	18	17	16
Name	CASCADED_PORT_ADDR															
Type	RW															
Reset	0	0	0	0	0	0	0	0	0	0	0	0	0	0	0	0
Bit	15	14	13	12	11	10	9	8	7	6	5	4	3	2	1	0
Name	CASCADED_PORT_ADDR															CVFF_ENB
Type	RW															RW
Reset	0	0	0	0	0	0	0	0	0	0	0	0	0	0	0	0

Bit(s)	Name	Description
31:1	CASCADED_PORT_ADDR	Please fill in the other peripheral's virtual port address.
0	CVFF_ENB	When CVFF_EN is set to 1, DMA will change the source/destination from sysram to the other fixed address.

83011550 DMA21 TO DMA CR4 Channel 21 Timeout Value Register 00000000

Bit	31	30	29	28	27	26	25	24	23	22	21	20	19	18	17	16
Name	TIMEOUT_COUNTER															
Type	RW															
Reset	0	0	0	0	0	0	0	0	0	0	0	0	0	0	0	0
Bit	15	14	13	12	11	10	9	8	7	6	5	4	3	2	1	0
Name	TIMEOUT_COUNTER															
Type	RW															
Reset	0	0	0	0	0	0	0	0	0	0	0	0	0	0	0	0

Bit(s)	Name	Description
31:0	TIMEOUT_COUNTER	Interrupt will assert if there is no new data into fifo more than n T(bus clock).

83011610 DMA22 COUNT **DMA CR4 Channel 22 Transfer Count Register** **00000000**

Bit	31	30	29	28	27	26	25	24	23	22	21	20	19	18	17	16
Name																
Type																
Reset																
Bit	15	14	13	12	11	10	9	8	7	6	5	4	3	2	1	0
Name	LEN															
Type	RW															
Reset	0	0	0	0	0	0	0	0	0	0	0	0	0	0	0	0

Bit(s)	Name	Description
15:0	LEN	<p>The amount of total transfer count</p> <p>This register specifies the amount of total transfer count that the DMA channel is required to perform. Upon completion, the DMA channel generates an interrupt request to the processor while ITEN in DMA_n_CON is set as '1'. Note that the total size of data being transferred by a DMA channel is determined by LEN together with the SIZE in DMA_n_CON, i.e. LEN x SIZE.</p>

83011614 DMA22 CON **DMA CR4 Channel 22 Control Register** **03F00000**

Bit	31	30	29	28	27	26	25	24	23	22	21	20	19	18	17	16
Name							MAS							DI R	WP EN	WP SD
Type							RW							RW	RW	RW
Reset							1	1	1	1	1	1		0	0	0
Bit	15	14	13	12	11	10	9	8	7	6	5	4	3	2	1	0
Name	ITEN	TOEN										DREQ	DI NC	SIN C	SIZE	
Type	RW	RW										RW	RW	RW	RW	
Reset	0	0										0	0	0	0	0

Bit(s)	Name	Description
25:20	MAS	<p>Master selection.</p> <p>Specifies which master occupies this DMA channel. Once assigned to certain master, the corresponding DREQ and DACK are connected. For half-size and Virtual FIFO DMA channels, i.e. channels 3 ~ 25, a predefined address is assigned as</p>

Bit(s)	Name	Description
		well.
		Value Selected Master SADDR
		6'd0 : Don't Use
		6'd1 : Don't Use
		6'd2 : I2C-0 (HALF) TX 0x83090000
		6'd3 : I2C-0 (HALF) RX 0x83090000
		6'd4 : I2C-1 (HALF) TX 0x830A0000
		6'd5 : I2C-1 (HALF) RX 0x830A0000
		6'd6 : I2S/Audio (VFF) TX 0x22000000
		6'd7 : I2S/Audio (VFF) RX 0x22000000
		6'd8 : UART0(VFF) TX 0x83030000
		6'd9 : UART0(VFF) RX 0x83030000
		6'd10 : UART1(VFF) TX 0x83040000
		6'd11 : UART1(VFF) RX 0x83040000
		6'd12 : BTIF(VFF) TX 0x830E0000
		6'd13 : BTIF(VFF) RX 0x830E0000
		6'd14 : HIF(USB EP2I HALF) Tx 0x50310000
		6'd15 : HIF(USB EP2O VFF) Rx 0x50310004
		6'd16 : HIF(USB EP3I VFF) Tx 0x50310008
		6'd17 : HIF(USB EP3O VFF) Rx 0x5031000C
		6'd18 : HIF(USB EP4I VFF) Tx 0x50310010
		6'd19 : HIF(USB EP4O HALF) Rx 0x50310014
		6'd20 : ADC(VFF) RX 0x830D0000
		6'd21 : WIFI HIF(HALF) TRX 0x50201000
		6'd22 : not used 0x830B0000
		6'd23 : not used 0x830B0000
		6'd24~37 : VFF Data Port 0x79000m00
		*m is N-12
		other: reserved
		default :6'h3f
		SPI-M use full size channel
		If you use dma moving data from memory to memory (ex :full-size dma) , please select default value asyour master setting
18	DIR	Directions of DMA transfer for half-size and Virtual FIFO DMA channels, i.e. channels 3~25. The direction is from the perspective of the DMA masters. WRITE means read from master device and then write to the address specified in DMA_PGMADDR, and vice versa.
		0 Read (read from system RAM and write to device)
		1 Write (read from device and write to system RAM)
17	WPEN	Address-wrapping for ring buffer. The next address of DMA jumps to WRAP TO address when the current address matches WRAP POINT count.
		0 Disable
		1 Enable
16	WPSD	No effect on channel 12~25 (Virtual FIFO). The side using address-wrapping function. Only one side of a DMA channel can activate address-wrapping function at a time.
		0 Address-wrapping on source .
		1 Address-wrapping on destination.
15	ITEN	No effect on channel 12~25 (Virtual FIFO). DMA transfer completion interrupt enable.
		0 Disable
		1 Enable
14	TOEN	DMA transfer timeout interrupt enable.
		0 Disable
		1 Enable

Bit(s)	Name	Description																					
4	DREQ	<p>No effect on channel 1~11 (Full and Half-size).</p> <p>Throttle and handshake control for DMA transfer</p> <p>0 No throttle control during DMA transfer or transfers occurred only between memories</p> <p>1 Hardware handshake management</p> <p>The DMA master is able to throttle down the transfer rate by way of request-grant handshake.</p> <p>MAS Selected Master suggest DREQ setting</p> <p>6'd6 : I2S/Audio (VFF) TX 1</p> <p>6'd7 : I2S/Audio (VFF) RX 1</p> <p>6'd8 : UART0(VFF) TX 1</p> <p>6'd9 : UART0(VFF) RX 1</p> <p>6'd10 : UART1(VFF) TX 1</p> <p>6'd11 : UART1(VFF) RX 1</p> <p>6'd12 : BTIF(VFF) TX 1</p> <p>6'd13 : BTIF(VFF) RX 1</p> <p>6'd15 : HIF(USB EP2O VFF) Rx 1</p> <p>6'd16 : HIF(USB EP3I VFF) Tx 1</p> <p>6'd17 : HIF(USB EP3O VFF) Rx 1</p> <p>6'd18 : HIF(USB EP4I VFF) Tx 1</p> <p>6'd20 : ADC(VFF) RX 1</p>																					
3	DINC	<p>Incremental destination address. Destination addresses increase every transfer. If the setting of SIZE is Byte, Destination addresses increase by 1 every single transfer. If Half-Word, increase by 2; and if Word, increase by 4.</p> <p>0 Disable</p> <p>1 Enable</p> <p>No effect on channel 12~25 (Virtual FIFO). Destination address is the master fixed address for read(TX) or the Virtual FIFO write pointer for write(RX)</p>																					
2	SINC	<p>Incremental source address. Source addresses increase every transfer. If the setting of SIZE is Byte, Source addresses increase by 1 every single transfer. If Half-Word, increase by 2; and if Word, increase by 4.</p> <p>0 Disable</p> <p>1 Enable</p> <p>No effect on channel 12~25 (Virtual FIFO). Source address is the Virtual FIFO read pointer for read(TX) or the master fixed address for write(RX).</p>																					
1:0	SIZE	<p>Data size within the confine of a bus cycle per transfer. These bits confines the data transfer size between source and destination to the</p> <p>specified value for individual bus cycle. The size is in terms of byte and has maximum value of 4 bytes. It is mainly decided by the data width of</p> <p>a DMA master.</p> <p>00 Byte transfer/1 byte</p> <p>01 Half-word transfer/2 bytes</p> <p>10 Word transfer/4 bytes</p> <p>11 Reserved</p> <p>The SIZE register setting depends on devices. The following table lists all VFIFO channels, associated devices, and data width per beat.</p> <table border="1"> <thead> <tr> <th>channel</th> <th>Module</th> <th>Support DMA beat size</th> </tr> </thead> <tbody> <tr> <td>VFIFO12</td> <td>I2S TX</td> <td>4Byte</td> </tr> <tr> <td>VFIFO13</td> <td>I2S RX</td> <td>4Byte</td> </tr> <tr> <td>VFIFO14</td> <td>UART0 TX</td> <td>1Byte</td> </tr> <tr> <td>VFIFO15</td> <td>UART0 RX</td> <td>1Byte</td> </tr> <tr> <td>VFIFO16</td> <td>UART1 TX</td> <td>1Byte</td> </tr> <tr> <td>VFIFO17</td> <td>UART1 RX</td> <td>1Byte</td> </tr> </tbody> </table>	channel	Module	Support DMA beat size	VFIFO12	I2S TX	4Byte	VFIFO13	I2S RX	4Byte	VFIFO14	UART0 TX	1Byte	VFIFO15	UART0 RX	1Byte	VFIFO16	UART1 TX	1Byte	VFIFO17	UART1 RX	1Byte
channel	Module	Support DMA beat size																					
VFIFO12	I2S TX	4Byte																					
VFIFO13	I2S RX	4Byte																					
VFIFO14	UART0 TX	1Byte																					
VFIFO15	UART0 RX	1Byte																					
VFIFO16	UART1 TX	1Byte																					
VFIFO17	UART1 RX	1Byte																					

Bit(s)	Name	Description
	VFIFO18	BTIF TX 1Byte
	VFIFO19	BTIF RX 1Byte
	VFIFO20	HIF(USB EP2O VFF) Rx 4Byte
	VFIFO21	HIF(USB EP3I VFF) Tx 4Byte
	VFIFO22	HIF(USB EP3O VFF) Rx 4Byte
	VFIFO23	HIF(USB EP4I VFF) Tx 4Byte
	VFIFO24	HIF(USB EP4O VFF) Rx 4Byte
	VFIFO25	ADC(VFF) RX 4Byte

83011618 DMA22 START DMA CR4 Channel 22 Start Register 00000000

Bit	31	30	29	28	27	26	25	24	23	22	21	20	19	18	17	16
Name																
Type																
Reset																
Bit	15	14	13	12	11	10	9	8	7	6	5	4	3	2	1	0
Name	STR															
Type	RW															
Reset	0															

Bit(s)	Name	Description
15	STR	Start control for a DMA channel. 0 The DMA channel is stopped. 1 The DMA channel is started and running.

8301161C DMA22 INTSTA DMA CR4 Channel 22 Interrupt Status Register 00000000

Bit	31	30	29	28	27	26	25	24	23	22	21	20	19	18	17	16
Name																TOINT
Type																RO
Reset																0
Bit	15	14	13	12	11	10	9	8	7	6	5	4	3	2	1	0
Name	INT															
Type	RO															
Reset	0															

Bit(s)	Name	Description
16	TOINT	Timeout Interrupt Status for DMA Channel 0 No interrupt request is generated. 1 One interrupt request is pending and waiting for service. No effect on channel 1~11 (Full and Half-size).

Bit(s)	Name	Description
15	INT	Interrupt Status for DMA Channel 0 No interrupt request is generated. 1 One interrupt request is pending and waiting for service.

83011620 DMA22 ACKINT DMA CR4 Channel 22 Interrupt Acknowledge Register 00000000

Bit	31	30	29	28	27	26	25	24	23	22	21	20	19	18	17	16
Name																TOACK
Type																WO
Reset																0
Bit	15	14	13	12	11	10	9	8	7	6	5	4	3	2	1	0
Name	ACK															
Type	WO															
Reset	0															

Bit(s)	Name	Description
16	TOACK	TOACK Timeout Interrupt acknowledge for the DMA channel 0 No effect 1 Interrupt request is acknowledged and should be relinquished. No effect on channel 1~11 (Full and Half-size).
15	ACK	ACK Interrupt acknowledge for the DMA channel 0 No effect 1 Interrupt request is acknowledged and should be relinquished.

83011628 DMA22 LIMITER DMA CR4 Channel 22 Bandwidth Limiter Register 00000000

Bit	31	30	29	28	27	26	25	24	23	22	21	20	19	18	17	16		
Name																		
Type																		
Reset																		
Bit	15	14	13	12	11	10	9	8	7	6	5	4	3	2	1	0		
Name									LIMITER									
Type									RW									
Reset									0	0	0	0	0	0	0	0		

Bit(s)	Name	Description
7:0	LIMITER	from 0 to 255. 0 means no limitation, 255 means totally banned, and others mean Bus access permission every 4

Bit(s)	Name	Description
		X n) AHB clock

8301162C DMA22 PGMADDR DMA CR4 Channel 22 Programmable Address Register 00000000

Bit	31	30	29	28	27	26	25	24	23	22	21	20	19	18	17	16
Name	PGMADDR															
Type	RW															
Reset	0	0	0	0	0	0	0	0	0	0	0	0	0	0	0	0
Bit	15	14	13	12	11	10	9	8	7	6	5	4	3	2	1	0
Name	PGMADDR															
Type	RW															
Reset	0	0	0	0	0	0	0	0	0	0	0	0	0	0	0	0

Bit(s)	Name	Description
31:0	PGMADDR	PGMADDR[31:0] specifies the addresses for a half-size DMA channel or virtual FIFO WRITE : address of the source/destination. READ : current address of the transfer. This address represents a source address if DIR in DMA_CON is set to 0, and represents a destination address if DIR in DMA_CON is set to 1. Before being able to program these register, the software should make sure that STR in DMA _n _START is set to '0', that is the DMA channel is stopped and disabled completely. Otherwise, the DMA channel may run out of order.

83011630 DMA22 WRPTR DMA CR4 Channel 22 Write Pointer 00000000

Bit	31	30	29	28	27	26	25	24	23	22	21	20	19	18	17	16
Name	WRPTR															
Type	RO															
Reset	0	0	0	0	0	0	0	0	0	0	0	0	0	0	0	0
Bit	15	14	13	12	11	10	9	8	7	6	5	4	3	2	1	0
Name	WRPTR															
Type	RO															
Reset	0	0	0	0	0	0	0	0	0	0	0	0	0	0	0	0

Bit(s)	Name	Description
31:0	WRPTR	Virtual FIFO Write Pointer

83011634 DMA22 RDPTR DMA CR4 Channel 22 Read Pointer 00000000

Bit	31	30	29	28	27	26	25	24	23	22	21	20	19	18	17	16
Name	RDPTR															
Type	RO															
Reset	0	0	0	0	0	0	0	0	0	0	0	0	0	0	0	0
Bit	15	14	13	12	11	10	9	8	7	6	5	4	3	2	1	0
Name	RDPTR															
Type	RO															
Reset	0	0	0	0	0	0	0	0	0	0	0	0	0	0	0	0

Bit(s)	Name	Description
31:0	RDPTR	Virtual FIFO Read Pointer

83011638 DMA22 FFCNT DMA CR4 Channel 22 FIFO Count 00000000

Bit	31	30	29	28	27	26	25	24	23	22	21	20	19	18	17	16
Name																
Type																
Reset																
Bit	15	14	13	12	11	10	9	8	7	6	5	4	3	2	1	0
Name	FFCNT															
Type	RW															
Reset	0	0	0	0	0	0	0	0	0	0	0	0	0	0	0	0

Bit(s)	Name	Description
15:0	FFCNT	To display the number of data stored in Virtual FIFO

8301163C DMA22 FFSTA DMA CR4 Channel 22 FIFO Status 00000000

Bit	31	30	29	28	27	26	25	24	23	22	21	20	19	18	17	16
Name																
Type																
Reset																
Bit	15	14	13	12	11	10	9	8	7	6	5	4	3	2	1	0
Name														AL T	EM PT Y	FU LL
Type														RO	RO	RO
Reset														0	0	0

Bit(s)	Name	Description
2	ALT	To indicate FIFO Count is larger than ALTLEN. DMA issues an alert signal to UART to enable UART flow control. 0 Not reach alert region. 1 Reach alert region.
1	EMPTY	To indicate FIFO is empty. 0 Not Empty 1 Empty
0	FULL	To indicate FIFO is full. 0 Not Full 1 Full

83011640 DMA22 ALTLEN DMA CR4 Channel 22 Alert Length Register 00000000

Bit	31	30	29	28	27	26	25	24	23	22	21	20	19	18	17	16
Name	ALTS															
Type	RW															
Reset	0															
Bit	15	14	13	12	11	10	9	8	7	6	5	4	3	2	1	0
Name	ALTLEN															
Type	RW															
Reset	0	0	0	0	0	0	0	0	0	0	0	0	0	0	0	0

Bit(s)	Name	Description
31	ALTSCM	Specifies the compare equation between ALTLEN and FIFO_SIZE-FIFO_CNT. 1'b0: if ALTLEN > FIFO_SIZE-FIFO_CNT, trigger fifo_alt signal to device for warning device that VFIFO will be full soon. 1'b1: if ALTLEN >= FIFO_SIZE-FIFO_CNT, trigger fifo_alt signal to device for warning device that VFIFO will be full soon.
15:0	ALTLEN	Specifies the Alert Length of Virtual FIFO DMA. Once the remaining FIFO space is less than ALTLEN, an alert signal is issued to UART to enable flow control. If ALTSCM is set to 1, remaining FIFO space == ALTLEN also trigger the alert signal. Normally, ALTLEN shall be larger than 16 for UART application.

83011644 DMA22 FFSIZE DMA CR4 Channel 22 Virtual FIFO Size Register 00000000

Bit	31	30	29	28	27	26	25	24	23	22	21	20	19	18	17	16
Name																
Type																
Reset																

Bit	15	14	13	12	11	10	9	8	7	6	5	4	3	2	1	0
Name	FFSIZE															
Type	RW															
Reset	0	0	0	0	0	0	0	0	0	0	0	0	0	0	0	0

Bit(s)	Name	Description
15:0	FFSIZE	Specifies the FIFO Size of Virtual FIFO DMA

83011648 DMA22 CVFF DMA CR4 Channel 22 Cascade Virtual FIFO Control Register 00000000

Bit	31	30	29	28	27	26	25	24	23	22	21	20	19	18	17	16
Name	CASCADED_PORT_ADDR															
Type	RW															
Reset	0	0	0	0	0	0	0	0	0	0	0	0	0	0	0	0
Bit	15	14	13	12	11	10	9	8	7	6	5	4	3	2	1	0
Name	CASCADED_PORT_ADDR															CVFF_ENB
Type	RW															RW
Reset	0	0	0	0	0	0	0	0	0	0	0	0	0	0	0	0

Bit(s)	Name	Description
31:1	CASCADED_PORT_ADDR	Please fill in the other peripheral's virtual port address. When CVFF_EN is set to 1, DMA will change the source/destination from sysram to the other fixed address.
0	CVFF_ENB	

83011650 DMA22 TO DMA CR4 Channel 22 Timeout Value Register 00000000

Bit	31	30	29	28	27	26	25	24	23	22	21	20	19	18	17	16
Name	TIMEOUT_COUNTER															
Type	RW															
Reset	0	0	0	0	0	0	0	0	0	0	0	0	0	0	0	0
Bit	15	14	13	12	11	10	9	8	7	6	5	4	3	2	1	0
Name	TIMEOUT_COUNTER															
Type	RW															
Reset	0	0	0	0	0	0	0	0	0	0	0	0	0	0	0	0

Bit(s)	Name	Description
--------	------	-------------

Bit(s)	Name	Description
31:0	TIMEOUT_COUNTER	Interrupt will assert if there is no new data into fifo more than n T(bus clock).

83011710 DMA23_COUNT DMA CR4 Channel 23 Transfer Count Register 00000000

Bit	31	30	29	28	27	26	25	24	23	22	21	20	19	18	17	16
Name																
Type																
Reset																
Bit	15	14	13	12	11	10	9	8	7	6	5	4	3	2	1	0
Name	LEN															
Type	RW															
Reset	0	0	0	0	0	0	0	0	0	0	0	0	0	0	0	0

Bit(s)	Name	Description
15:0	LEN	<p>The amount of total transfer count</p> <p>This register specifies the amount of total transfer count that the DMA channel is required to perform. Upon completion, the DMA channel generates an interrupt request to the processor while ITEN in DMA_n_CON is set as '1'. Note that the total size of data being transferred by a DMA channel is determined by LEN together with the SIZE in DMA_n_CON, i.e. LEN x SIZE.</p>

83011714 DMA23_CON DMA CR4 Channel 23 Control Register 03F00000

Bit	31	30	29	28	27	26	25	24	23	22	21	20	19	18	17	16
Name							MAS							DI R	WP EN	WP SD
Type							RW							RW	RW	RW
Reset							1	1	1	1	1	1		0	0	0
Bit	15	14	13	12	11	10	9	8	7	6	5	4	3	2	1	0
Name	ITEN	TOEN										DREQ	DI NC	SIN C	SIZE	
Type	RW	RW										RW	RW	RW	RW	
Reset	0	0										0	0	0	0	0

Bit(s)	Name	Description
25:20	MAS	<p>Master selection.</p> <p>Specifies which master occupies this DMA channel. Once assigned to certain master, the corresponding DREQ and DACK are connected. For half-size and Virtual FIFO DMA channels, i.e. channels 3 ~ 25, a predefined address is assigned as</p>

Bit(s)	Name	Description
		well.
		Value Selected Master SADDR
		6'd0 : Don't Use
		6'd1 : Don't Use
		6'd2 : I2C-0 (HALF) TX 0x83090000
		6'd3 : I2C-0 (HALF) RX 0x83090000
		6'd4 : I2C-1 (HALF) TX 0x830A0000
		6'd5 : I2C-1 (HALF) RX 0x830A0000
		6'd6 : I2S/Audio (VFF) TX 0x22000000
		6'd7 : I2S/Audio (VFF) RX 0x22000000
		6'd8 : UART0(VFF) TX 0x83030000
		6'd9 : UART0(VFF) RX 0x83030000
		6'd10 : UART1(VFF) TX 0x83040000
		6'd11 : UART1(VFF) RX 0x83040000
		6'd12 : BTIF(VFF) TX 0x830E0000
		6'd13 : BTIF(VFF) RX 0x830E0000
		6'd14 : HIF(USB EP2I HALF) Tx 0x50310000
		6'd15 : HIF(USB EP2O VFF) Rx 0x50310004
		6'd16 : HIF(USB EP3I VFF) Tx 0x50310008
		6'd17 : HIF(USB EP3O VFF) Rx 0x5031000C
		6'd18 : HIF(USB EP4I VFF) Tx 0x50310010
		6'd19 : HIF(USB EP4O HALF) Rx 0x50310014
		6'd20 : ADC(VFF) RX 0x830D0000
		6'd21 : WIFI HIF(HALF) TRX 0x50201000
		6'd22 : not used 0x830B0000
		6'd23 : not used 0x830B0000
		6'd24~37 : VFF Data Port 0x79000m00
		*m is N-12
		other: reserved
		default :6'h3f
		SPI-M use full size channel
		If you use dma moving data from memory to memory (ex :full-size dma) , please select default value asyour master setting
18	DIR	Directions of DMA transfer for half-size and Virtual FIFO DMA channels, i.e. channels 3~25. The direction is from the perspective of the DMA masters. WRITE means read from master device and then write to the address specified in DMA_PGMADDR, and vice versa.
		0 Read (read from system RAM and write to device)
		1 Write (read from device and write to system RAM)
17	WPEN	Address-wrapping for ring buffer. The next address of DMA jumps to WRAP TO address when the current address matches WRAP POINT count.
		0 Disable
		1 Enable
16	WPSD	No effect on channel 12~25 (Virtual FIFO). The side using address-wrapping function. Only one side of a DMA channel can activate address-wrapping function at a time.
		0 Address-wrapping on source .
		1 Address-wrapping on destination.
15	ITEN	No effect on channel 12~25 (Virtual FIFO). DMA transfer completion interrupt enable.
		0 Disable
		1 Enable
14	TOEN	DMA transfer timeout interrupt enable.
		0 Disable
		1 Enable

Bit(s)	Name	Description																					
4	DREQ	<p>No effect on channel 1~11 (Full and Half-size).</p> <p>Throttle and handshake control for DMA transfer</p> <p>0 No throttle control during DMA transfer or transfers occurred only between memories</p> <p>1 Hardware handshake management</p> <p>The DMA master is able to throttle down the transfer rate by way of request-grant handshake.</p> <p>MAS Selected Master suggest DREQ setting</p> <p>6'd6 : I2S/Audio (VFF) TX 1</p> <p>6'd7 : I2S/Audio (VFF) RX 1</p> <p>6'd8 : UART0(VFF) TX 1</p> <p>6'd9 : UART0(VFF) RX 1</p> <p>6'd10 : UART1(VFF) TX 1</p> <p>6'd11 : UART1(VFF) RX 1</p> <p>6'd12 : BTIF(VFF) TX 1</p> <p>6'd13 : BTIF(VFF) RX 1</p> <p>6'd15 : HIF(USB EP2O VFF) Rx 1</p> <p>6'd16 : HIF(USB EP3I VFF) Tx 1</p> <p>6'd17 : HIF(USB EP3O VFF) Rx 1</p> <p>6'd18 : HIF(USB EP4I VFF) Tx 1</p> <p>6'd20 : ADC(VFF) RX 1</p>																					
3	DINC	<p>Incremental destination address. Destination addresses increase every transfer. If the setting of SIZE is Byte, Destination addresses increase by 1 every single transfer. If Half-Word, increase by 2; and if Word, increase by 4.</p> <p>0 Disable</p> <p>1 Enable</p> <p>No effect on channel 12~25 (Virtual FIFO). Destination address is the master fixed address for read(TX) or the Virtual FIFO write pointer for write(RX)</p>																					
2	SINC	<p>Incremental source address. Source addresses increase every transfer. If the setting of SIZE is Byte, Source addresses increase by 1 every single transfer. If Half-Word, increase by 2; and if Word, increase by 4.</p> <p>0 Disable</p> <p>1 Enable</p> <p>No effect on channel 12~25 (Virtual FIFO). Source address is the Virtual FIFO read pointer for read(TX) or the master fixed address for write(RX).</p>																					
1:0	SIZE	<p>Data size within the confine of a bus cycle per transfer. These bits confines the data transfer size between source and destination to the</p> <p>specified value for individual bus cycle. The size is in terms of byte and has maximum value of 4 bytes. It is mainly decided by the data width of</p> <p>a DMA master.</p> <p>00 Byte transfer/1 byte</p> <p>01 Half-word transfer/2 bytes</p> <p>10 Word transfer/4 bytes</p> <p>11 Reserved</p> <p>The SIZE register setting depends on devices. The following table lists all VFIFO channels, associated devices, and data width per beat.</p> <table border="1"> <thead> <tr> <th>channel</th> <th>Module</th> <th>Support DMA beat size</th> </tr> </thead> <tbody> <tr> <td>VFIFO12</td> <td>I2S TX</td> <td>4Byte</td> </tr> <tr> <td>VFIFO13</td> <td>I2S RX</td> <td>4Byte</td> </tr> <tr> <td>VFIFO14</td> <td>UART0 TX</td> <td>1Byte</td> </tr> <tr> <td>VFIFO15</td> <td>UART0 RX</td> <td>1Byte</td> </tr> <tr> <td>VFIFO16</td> <td>UART1 TX</td> <td>1Byte</td> </tr> <tr> <td>VFIFO17</td> <td>UART1 RX</td> <td>1Byte</td> </tr> </tbody> </table>	channel	Module	Support DMA beat size	VFIFO12	I2S TX	4Byte	VFIFO13	I2S RX	4Byte	VFIFO14	UART0 TX	1Byte	VFIFO15	UART0 RX	1Byte	VFIFO16	UART1 TX	1Byte	VFIFO17	UART1 RX	1Byte
channel	Module	Support DMA beat size																					
VFIFO12	I2S TX	4Byte																					
VFIFO13	I2S RX	4Byte																					
VFIFO14	UART0 TX	1Byte																					
VFIFO15	UART0 RX	1Byte																					
VFIFO16	UART1 TX	1Byte																					
VFIFO17	UART1 RX	1Byte																					

Bit(s)	Name	Description
	VFIFO18	BTIF TX 1Byte
	VFIFO19	BTIF RX 1Byte
	VFIFO20	HIF(USB EP2O VFF) Rx 4Byte
	VFIFO21	HIF(USB EP3I VFF) Tx 4Byte
	VFIFO22	HIF(USB EP3O VFF) Rx 4Byte
	VFIFO23	HIF(USB EP4I VFF) Tx 4Byte
	VFIFO24	HIF(USB EP4O VFF) Rx 4Byte
	VFIFO25	ADC(VFF) RX 4Byte

83011718 DMA23_START DMA CR4 Channel 23 Start Register 00000000

Bit	31	30	29	28	27	26	25	24	23	22	21	20	19	18	17	16
Name																
Type																
Reset																
Bit	15	14	13	12	11	10	9	8	7	6	5	4	3	2	1	0
Name	STR															
Type	RW															
Reset	0															

Bit(s)	Name	Description
15	STR	Start control for a DMA channel. 0 The DMA channel is stopped. 1 The DMA channel is started and running.

8301171C DMA23_INTSTA DMA CR4 Channel 23 Interrupt Status Register 00000000

Bit	31	30	29	28	27	26	25	24	23	22	21	20	19	18	17	16
Name																TOINT
Type																RO
Reset																0
Bit	15	14	13	12	11	10	9	8	7	6	5	4	3	2	1	0
Name	INT															
Type	RO															
Reset	0															

Bit(s)	Name	Description
16	TOINT	Timeout Interrupt Status for DMA Channel 0 No interrupt request is generated. 1 One interrupt request is pending and waiting for service. No effect on channel 1~11 (Full and Half-size).

Bit(s)	Name	Description
15	INT	Interrupt Status for DMA Channel 0 No interrupt request is generated. 1 One interrupt request is pending and waiting for service.

83011720 DMA23 ACKINT DMA CR4 Channel 23 Interrupt Acknowledge Register 00000000

Bit	31	30	29	28	27	26	25	24	23	22	21	20	19	18	17	16
Name																TOACK
Type																WO
Reset																0
Bit	15	14	13	12	11	10	9	8	7	6	5	4	3	2	1	0
Name	ACK															
Type	WO															
Reset	0															

Bit(s)	Name	Description
16	TOACK	TOACK Timeout Interrupt acknowledge for the DMA channel 0 No effect 1 Interrupt request is acknowledged and should be relinquished. No effect on channel 1~11 (Full and Half-size).
15	ACK	ACK Interrupt acknowledge for the DMA channel 0 No effect 1 Interrupt request is acknowledged and should be relinquished.

83011728 DMA23 LIMITER DMA CR4 Channel 23 Bandwidth Limiter Register 00000000

Bit	31	30	29	28	27	26	25	24	23	22	21	20	19	18	17	16
Name																
Type																
Reset																
Bit	15	14	13	12	11	10	9	8	7	6	5	4	3	2	1	0
Name									LIMITER							
Type									RW							
Reset									0	0	0	0	0	0	0	0

Bit(s)	Name	Description
7:0	LIMITER	from 0 to 255. 0 means no limitation, 255 means totally banned, and others mean Bus access permission every 4

Bit(s)	Name	Description
		X n) AHB clock

8301172C DMA23_PGMADDR DMA CR4 Channel 23 Programmable Address Register 00000000

Bit	31	30	29	28	27	26	25	24	23	22	21	20	19	18	17	16
Name	PGMADDR															
Type	RW															
Reset	0	0	0	0	0	0	0	0	0	0	0	0	0	0	0	0
Bit	15	14	13	12	11	10	9	8	7	6	5	4	3	2	1	0
Name	PGMADDR															
Type	RW															
Reset	0	0	0	0	0	0	0	0	0	0	0	0	0	0	0	0

Bit(s)	Name	Description
31:0	PGMADDR	PGMADDR[31:0] specifies the addresses for a half-size DMA channel or virtual FIFO WRITE : address of the source/destination. READ : current address of the transfer. This address represents a source address if DIR in DMA_CON is set to 0, and represents a destination address if DIR in DMA_CON is set to 1. Before being able to program these register, the software should make sure that STR in DMA _n _START is set to '0', that is the DMA channel is stopped and disabled completely. Otherwise, the DMA channel may run out of order.

83011730 DMA23_WRPTR DMA CR4 Channel 23 Write Pointer 00000000

Bit	31	30	29	28	27	26	25	24	23	22	21	20	19	18	17	16
Name	WRPTR															
Type	RO															
Reset	0	0	0	0	0	0	0	0	0	0	0	0	0	0	0	0
Bit	15	14	13	12	11	10	9	8	7	6	5	4	3	2	1	0
Name	WRPTR															
Type	RO															
Reset	0	0	0	0	0	0	0	0	0	0	0	0	0	0	0	0

Bit(s)	Name	Description
31:0	WRPTR	Virtual FIFO Write Pointer

83011734 DMA23_RDPTR DMA CR4 Channel 23 Read Pointer 00000000

Bit	31	30	29	28	27	26	25	24	23	22	21	20	19	18	17	16
Name	RDPTR															
Type	RO															
Reset	0	0	0	0	0	0	0	0	0	0	0	0	0	0	0	0
Bit	15	14	13	12	11	10	9	8	7	6	5	4	3	2	1	0
Name	RDPTR															
Type	RO															
Reset	0	0	0	0	0	0	0	0	0	0	0	0	0	0	0	0

Bit(s)	Name	Description
31:0	RDPTR	Virtual FIFO Read Pointer

83011738 DMA23_FFCNT DMA CR4 Channel 23 FIFO Count 00000000

Bit	31	30	29	28	27	26	25	24	23	22	21	20	19	18	17	16
Name																
Type																
Reset																
Bit	15	14	13	12	11	10	9	8	7	6	5	4	3	2	1	0
Name	FFCNT															
Type	RW															
Reset	0	0	0	0	0	0	0	0	0	0	0	0	0	0	0	0

Bit(s)	Name	Description
15:0	FFCNT	To display the number of data stored in Virtual FIFO

8301173C DMA23_FFSTA DMA CR4 Channel 23 FIFO Status 00000000

Bit	31	30	29	28	27	26	25	24	23	22	21	20	19	18	17	16
Name																
Type																
Reset																
Bit	15	14	13	12	11	10	9	8	7	6	5	4	3	2	1	0
Name														AL T	EM PT Y	FU LL
Type														RO	RO	RO
Reset														0	0	0

Bit(s)	Name	Description
2	ALT	To indicate FIFO Count is larger than ALTLEN. DMA issues an alert signal to UART to enable UART flow control. 0 Not reach alert region. 1 Reach alert region.
1	EMPTY	To indicate FIFO is empty. 0 Not Empty 1 Empty
0	FULL	To indicate FIFO is full. 0 Not Full 1 Full

83011740 DMA23 ALTLEN DMA CR4 Channel 23 Alert Length Register 00000000

Bit	31	30	29	28	27	26	25	24	23	22	21	20	19	18	17	16
Name	AL TS CM															
Type	RW															
Reset	0															
Bit	15	14	13	12	11	10	9	8	7	6	5	4	3	2	1	0
Name	ALTLEN															
Type	RW															
Reset	0	0	0	0	0	0	0	0	0	0	0	0	0	0	0	0

Bit(s)	Name	Description
31	ALTSCM	Specifies the compare equation between ALTLEN and FIFO_SIZE-FIFO_CNT. 1'b0: if ALTLEN > FIFO_SIZE-FIFO_CNT, trigger fifo_alt signal to device for warning device that VFIFO will be full soon. 1'b1: if ALTLEN >= FIFO_SIZE-FIFO_CNT, trigger fifo_alt signal to device for warning device that VFIFO will be full soon.
15:0	ALTLEN	Specifies the Alert Length of Virtual FIFO DMA. Once the remaining FIFO space is less than ALTLEN, an alert signal is issued to UART to enable flow control. If ALTSCM is set to 1, remaining FIFO space == ALTLEN also trigger the alert signal. Normally, ALTLEN shall be larger than 16 for UART application.

83011744 DMA23 FFSIZE DMA CR4 Channel 23 Virtual FIFO Size Register 00000000

Bit	31	30	29	28	27	26	25	24	23	22	21	20	19	18	17	16
Name																
Type																
Reset																

Bit	15	14	13	12	11	10	9	8	7	6	5	4	3	2	1	0
Name	FFSIZE															
Type	RW															
Reset	0	0	0	0	0	0	0	0	0	0	0	0	0	0	0	0

Bit(s)	Name	Description
15:0	FFSIZE	Specifies the FIFO Size of Virtual FIFO DMA

83011748 DMA23 CVFF DMA CR4 Channel 23 Cascade Virtual FIFO Control Register 00000000

Bit	31	30	29	28	27	26	25	24	23	22	21	20	19	18	17	16
Name	CASCADED_PORT_ADDR															
Type	RW															
Reset	0	0	0	0	0	0	0	0	0	0	0	0	0	0	0	0
Bit	15	14	13	12	11	10	9	8	7	6	5	4	3	2	1	0
Name	CASCADED_PORT_ADDR															CVFF_ENB
Type	RW															RW
Reset	0	0	0	0	0	0	0	0	0	0	0	0	0	0	0	0

Bit(s)	Name	Description
31:1	CASCADED_PORT_ADDR	Please fill in the other peripheral's virtual port address. When CVFF_EN is set to 1, DMA will change the source/destination from sysram to the other fixed address.
0	CVFF_ENB	

83011750 DMA23 TO DMA CR4 Channel 23 Timeout Value Register 00000000

Bit	31	30	29	28	27	26	25	24	23	22	21	20	19	18	17	16
Name	TIMEOUT_COUNTER															
Type	RW															
Reset	0	0	0	0	0	0	0	0	0	0	0	0	0	0	0	0
Bit	15	14	13	12	11	10	9	8	7	6	5	4	3	2	1	0
Name	TIMEOUT_COUNTER															
Type	RW															
Reset	0	0	0	0	0	0	0	0	0	0	0	0	0	0	0	0

Bit(s)	Name	Description
--------	------	-------------

Bit(s)	Name	Description
31:0	TIMEOUT_COUNTER	Interrupt will assert if there is no new data into fifo more than n T(bus clock).

83011810 DMA24_COUNT DMA CR4 Channel 24 Transfer Count Register 00000000

Bit	31	30	29	28	27	26	25	24	23	22	21	20	19	18	17	16
Name																
Type																
Reset																
Bit	15	14	13	12	11	10	9	8	7	6	5	4	3	2	1	0
Name	LEN															
Type	RW															
Reset	0	0	0	0	0	0	0	0	0	0	0	0	0	0	0	0

Bit(s)	Name	Description
15:0	LEN	<p>The amount of total transfer count</p> <p>This register specifies the amount of total transfer count that the DMA channel is required to perform. Upon completion, the DMA channel generates an interrupt request to the processor while ITEN in DMA_n_CON is set as '1'. Note that the total size of data being transferred by a DMA channel is determined by LEN together with the SIZE in DMA_n_CON, i.e. LEN x SIZE.</p>

83011814 DMA24_CON DMA CR4 Channel 24 Control Register 03F00000

Bit	31	30	29	28	27	26	25	24	23	22	21	20	19	18	17	16
Name							MAS							DI R	WP EN	WP SD
Type							RW							RW	RW	RW
Reset							1	1	1	1	1	1		0	0	0
Bit	15	14	13	12	11	10	9	8	7	6	5	4	3	2	1	0
Name	ITEN	TOEN										DREQ	DI NC	SIN C	SIZE	
Type	RW	RW										RW	RW	RW	RW	
Reset	0	0										0	0	0	0	0

Bit(s)	Name	Description
25:20	MAS	<p>Master selection.</p> <p>Specifies which master occupies this DMA channel. Once assigned to certain master, the corresponding DREQ and DACK are connected. For half-size and Virtual FIFO DMA channels, i.e. channels 3 ~ 25, a predefined address is assigned as</p>

Bit(s)	Name	Description
		well.
		Value Selected Master SADDR
		6'd0 : Don't Use
		6'd1 : Don't Use
		6'd2 : I2C-0 (HALF) TX 0x83090000
		6'd3 : I2C-0 (HALF) RX 0x83090000
		6'd4 : I2C-1 (HALF) TX 0x830A0000
		6'd5 : I2C-1 (HALF) RX 0x830A0000
		6'd6 : I2S/Audio (VFF) TX 0x22000000
		6'd7 : I2S/Audio (VFF) RX 0x22000000
		6'd8 : UART0(VFF) TX 0x83030000
		6'd9 : UART0(VFF) RX 0x83030000
		6'd10 : UART1(VFF) TX 0x83040000
		6'd11 : UART1(VFF) RX 0x83040000
		6'd12 : BTIF(VFF) TX 0x830E0000
		6'd13 : BTIF(VFF) RX 0x830E0000
		6'd14 : HIF(USB EP2I HALF) Tx 0x50310000
		6'd15 : HIF(USB EP2O VFF) Rx 0x50310004
		6'd16 : HIF(USB EP3I VFF) Tx 0x50310008
		6'd17 : HIF(USB EP3O VFF) Rx 0x5031000C
		6'd18 : HIF(USB EP4I VFF) Tx 0x50310010
		6'd19 : HIF(USB EP4O HALF) Rx 0x50310014
		6'd20 : ADC(VFF) RX 0x830D0000
		6'd21 : WIFI HIF(HALF) TRX 0x50201000
		6'd22 : not used 0x830B0000
		6'd23 : not used 0x830B0000
		6'd24~37 : VFF Data Port 0x79000m00
		*m is N-12
		other: reserved
		default :6'h3f
		SPI-M use full size channel
18	DIR	If you use dma moving data from memory to memory (ex :full-size dma) , please select default value asyour master setting Directions of DMA transfer for half-size and Virtual FIFO DMA channels, i.e. channels 3~25. The direction is from the perspective of the DMA masters. WRITE means read from master device and then write to the address specified in DMA_PGMADDR, and vice versa.
17	WPEN	0 Read (read from system RAM and write to device) 1 Write (read from device and write to system RAM) Address-wrapping for ring buffer. The next address of DMA jumps to WRAP TO address when the current address matches WRAP POINT count.
16	WPSD	0 Disable 1 Enable No effect on channel 12~25 (Virtual FIFO). The side using address-wrapping function. Only one side of a DMA channel can activate address-wrapping function at a time. 0 Address-wrapping on source . 1 Address-wrapping on destination.
15	ITEN	No effect on channel 12~25 (Virtual FIFO). DMA transfer completion interrupt enable. 0 Disable 1 Enable
14	TOEN	DMA transfer timeout interrupt enable. 0 Disable 1 Enable

Bit(s)	Name	Description																					
4	DREQ	<p>No effect on channel 1~11 (Full and Half-size).</p> <p>Throttle and handshake control for DMA transfer</p> <p>0 No throttle control during DMA transfer or transfers occurred only between memories</p> <p>1 Hardware handshake management</p> <p>The DMA master is able to throttle down the transfer rate by way of request-grant handshake.</p> <p>MAS Selected Master suggest DREQ setting</p> <p>6'd6 : I2S/Audio (VFF) TX 1</p> <p>6'd7 : I2S/Audio (VFF) RX 1</p> <p>6'd8 : UART0(VFF) TX 1</p> <p>6'd9 : UART0(VFF) RX 1</p> <p>6'd10 : UART1(VFF) TX 1</p> <p>6'd11 : UART1(VFF) RX 1</p> <p>6'd12 : BTIF(VFF) TX 1</p> <p>6'd13 : BTIF(VFF) RX 1</p> <p>6'd15 : HIF(USB EP2O VFF) Rx 1</p> <p>6'd16 : HIF(USB EP3I VFF) Tx 1</p> <p>6'd17 : HIF(USB EP3O VFF) Rx 1</p> <p>6'd18 : HIF(USB EP4I VFF) Tx 1</p> <p>6'd20 : ADC(VFF) RX 1</p>																					
3	DINC	<p>Incremental destination address. Destination addresses increase every transfer. If the setting of SIZE is Byte, Destination addresses increase by 1 every single transfer. If Half-Word, increase by 2; and if Word, increase by 4.</p> <p>0 Disable</p> <p>1 Enable</p> <p>No effect on channel 12~25 (Virtual FIFO). Destination address is the master fixed address for read(TX) or the Virtual FIFO write pointer for write(RX)</p>																					
2	SINC	<p>Incremental source address. Source addresses increase every transfer. If the setting of SIZE is Byte, Source addresses increase by 1 every single transfer. If Half-Word, increase by 2; and if Word, increase by 4.</p> <p>0 Disable</p> <p>1 Enable</p> <p>No effect on channel 12~25 (Virtual FIFO). Source address is the Virtual FIFO read pointer for read(TX) or the master fixed address for write(RX).</p>																					
1:0	SIZE	<p>Data size within the confine of a bus cycle per transfer. These bits confines the data transfer size between source and destination to the</p> <p>specified value for individual bus cycle. The size is in terms of byte and has maximum value of 4 bytes. It is mainly decided by the data width of</p> <p>a DMA master.</p> <p>00 Byte transfer/1 byte</p> <p>01 Half-word transfer/2 bytes</p> <p>10 Word transfer/4 bytes</p> <p>11 Reserved</p> <p>The SIZE register setting depends on devices. The following table lists all VFIFO channels, associated devices, and data width per beat.</p> <table border="1"> <thead> <tr> <th>channel</th> <th>Module</th> <th>Support DMA beat size</th> </tr> </thead> <tbody> <tr> <td>VFIFO12</td> <td>I2S TX</td> <td>4Byte</td> </tr> <tr> <td>VFIFO13</td> <td>I2S RX</td> <td>4Byte</td> </tr> <tr> <td>VFIFO14</td> <td>UART0 TX</td> <td>1Byte</td> </tr> <tr> <td>VFIFO15</td> <td>UART0 RX</td> <td>1Byte</td> </tr> <tr> <td>VFIFO16</td> <td>UART1 TX</td> <td>1Byte</td> </tr> <tr> <td>VFIFO17</td> <td>UART1 RX</td> <td>1Byte</td> </tr> </tbody> </table>	channel	Module	Support DMA beat size	VFIFO12	I2S TX	4Byte	VFIFO13	I2S RX	4Byte	VFIFO14	UART0 TX	1Byte	VFIFO15	UART0 RX	1Byte	VFIFO16	UART1 TX	1Byte	VFIFO17	UART1 RX	1Byte
channel	Module	Support DMA beat size																					
VFIFO12	I2S TX	4Byte																					
VFIFO13	I2S RX	4Byte																					
VFIFO14	UART0 TX	1Byte																					
VFIFO15	UART0 RX	1Byte																					
VFIFO16	UART1 TX	1Byte																					
VFIFO17	UART1 RX	1Byte																					

Bit(s)	Name	Description
	VFIFO18	BTIF TX 1Byte
	VFIFO19	BTIF RX 1Byte
	VFIFO20	HIF(USB EP2O VFF) Rx 4Byte
	VFIFO21	HIF(USB EP3I VFF) Tx 4Byte
	VFIFO22	HIF(USB EP3O VFF) Rx 4Byte
	VFIFO23	HIF(USB EP4I VFF) Tx 4Byte
	VFIFO24	HIF(USB EP4O VFF) Rx 4Byte
	VFIFO25	ADC(VFF) RX 4Byte

83011818 DMA24_START DMA CR4 Channel 24 Start Register 00000000

Bit	31	30	29	28	27	26	25	24	23	22	21	20	19	18	17	16
Name																
Type																
Reset																
Bit	15	14	13	12	11	10	9	8	7	6	5	4	3	2	1	0
Name	STR															
Type	RW															
Reset	0															

Bit(s)	Name	Description
15	STR	Start control for a DMA channel. 0 The DMA channel is stopped. 1 The DMA channel is started and running.

8301181C DMA24_INTSTA DMA CR4 Channel 24 Interrupt Status Register 00000000

Bit	31	30	29	28	27	26	25	24	23	22	21	20	19	18	17	16
Name																TOINT
Type																RO
Reset																0
Bit	15	14	13	12	11	10	9	8	7	6	5	4	3	2	1	0
Name	INT															
Type	RO															
Reset	0															

Bit(s)	Name	Description
16	TOINT	Timeout Interrupt Status for DMA Channel 0 No interrupt request is generated. 1 One interrupt request is pending and waiting for service.

Bit(s)	Name	Description
15	INT	No effect on channel 1~11 (Full and Half-size). Interrupt Status for DMA Channel 0 No interrupt request is generated. 1 One interrupt request is pending and waiting for service.

83011820 DMA24_ACKINT DMA CR4 Channel 24 Interrupt Acknowledge Register 00000000

Bit	31	30	29	28	27	26	25	24	23	22	21	20	19	18	17	16
Name																TOACK
Type																WO
Reset																0
Bit	15	14	13	12	11	10	9	8	7	6	5	4	3	2	1	0
Name	ACK															
Type	WO															
Reset	0															

Bit(s)	Name	Description
16	TOACK	TOACK Timeout Interrupt acknowledge for the DMA channel 0 No effect 1 Interrupt request is acknowledged and should be relinquished.
15	ACK	No effect on channel 1~11 (Full and Half-size). ACK Interrupt acknowledge for the DMA channel 0 No effect 1 Interrupt request is acknowledged and should be relinquished.

83011828 DMA24_LIMITER DMA CR4 Channel 24 Bandwidth Limiter Register 00000000

Bit	31	30	29	28	27	26	25	24	23	22	21	20	19	18	17	16
Name																
Type																
Reset																
Bit	15	14	13	12	11	10	9	8	7	6	5	4	3	2	1	0
Name									LIMITER							
Type									RW							
Reset									0	0	0	0	0	0	0	0

Bit(s)	Name	Description
7:0	LIMITER	from 0 to 255. 0 means no limitation, 255 means totally

Bit(s)	Name	Description
		banned, and others mean Bus access permission every (4 X n) AHB clock

8301182C DMA24_PGMADDR DMA CR4 Channel 24 Programmable Address Register 00000000

Bit	31	30	29	28	27	26	25	24	23	22	21	20	19	18	17	16
Name	PGMADDR															
Type	RW															
Reset	0	0	0	0	0	0	0	0	0	0	0	0	0	0	0	0
Bit	15	14	13	12	11	10	9	8	7	6	5	4	3	2	1	0
Name	PGMADDR															
Type	RW															
Reset	0	0	0	0	0	0	0	0	0	0	0	0	0	0	0	0

Bit(s)	Name	Description
31:0	PGMADDR	PGMADDR[31:0] specifies the addresses for a half-size DMA channel or virtual FIFO WRITE : address of the source/destination. READ : current address of the transfer. This address represents a source address if DIR in DMA_CON is set to 0, and represents a destination address if DIR in DMA_CON is set to 1. Before being able to program these register, the software should make sure that STR in DMA _n _START is set to '0', that is the DMA channel is stopped and disabled completely. Otherwise, the DMA channel may run out of order.

83011830 DMA24_WRPTR DMA CR4 Channel 24 Write Pointer 00000000

Bit	31	30	29	28	27	26	25	24	23	22	21	20	19	18	17	16
Name	WRPTR															
Type	RO															
Reset	0	0	0	0	0	0	0	0	0	0	0	0	0	0	0	0
Bit	15	14	13	12	11	10	9	8	7	6	5	4	3	2	1	0
Name	WRPTR															
Type	RO															
Reset	0	0	0	0	0	0	0	0	0	0	0	0	0	0	0	0

Bit(s)	Name	Description
31:0	WRPTR	Virtual FIFO Write Pointer

83011834 DMA24_RDPTR DMA CR4 Channel 24 Read Pointer 00000000

Bit	31	30	29	28	27	26	25	24	23	22	21	20	19	18	17	16
Name	RDPTR															
Type	RO															
Reset	0	0	0	0	0	0	0	0	0	0	0	0	0	0	0	0
Bit	15	14	13	12	11	10	9	8	7	6	5	4	3	2	1	0
Name	RDPTR															
Type	RO															
Reset	0	0	0	0	0	0	0	0	0	0	0	0	0	0	0	0

Bit(s)	Name	Description
31:0	RDPTR	Virtual FIFO Read Pointer

83011838 DMA24_FFCNT DMA CR4 Channel 24 FIFO Count 00000000

Bit	31	30	29	28	27	26	25	24	23	22	21	20	19	18	17	16
Name																
Type																
Reset																
Bit	15	14	13	12	11	10	9	8	7	6	5	4	3	2	1	0
Name	FFCNT															
Type	RW															
Reset	0	0	0	0	0	0	0	0	0	0	0	0	0	0	0	0

Bit(s)	Name	Description
15:0	FFCNT	To display the number of data stored in Virtual FIFO

8301183C DMA24_FFSTA DMA CR4 Channel 24 FIFO Status 00000000

Bit	31	30	29	28	27	26	25	24	23	22	21	20	19	18	17	16
Name																
Type																
Reset																
Bit	15	14	13	12	11	10	9	8	7	6	5	4	3	2	1	0
Name														AL T	EM PT Y	FU LL
Type														RO	RO	RO

Reset																			0	0	0
--------------	--	--	--	--	--	--	--	--	--	--	--	--	--	--	--	--	--	--	---	---	---

Bit(s)	Name	Description
2	ALT	To indicate FIFO Count is larger than ALTLEN. DMA issues an alert signal to UART to enable UART flow control. 0 Not reach alert region. 1 Reach alert region.
1	EMPTY	To indicate FIFO is empty. 0 Not Empty 1 Empty
0	FULL	To indicate FIFO is full. 0 Not Full 1 Full

83011840 DMA24 ALTLEN DMA CR4 Channel 24 Alert Length Register 00000000

Bit	31	30	29	28	27	26	25	24	23	22	21	20	19	18	17	16
Name	ALTS															
Type	RW															
Reset	0															
Bit	15	14	13	12	11	10	9	8	7	6	5	4	3	2	1	0
Name	ALTLEN															
Type	RW															
Reset	0	0	0	0	0	0	0	0	0	0	0	0	0	0	0	0

Bit(s)	Name	Description
31	ALTSCM	Specifies the compare equation between ALTLEN and FIFO_SIZE-FIFO_CNT. 1'b0: if ALTLEN > FIFO_SIZE-FIFO_CNT, trigger fifo_alt signal to device for warning device that VFIFO will be full soon. 1'b1: if ALTLEN >= FIFO_SIZE-FIFO_CNT, trigger fifo_alt signal to device for warning device that VFIFO will be full soon.
15:0	ALTLEN	Specifies the Alert Length of Virtual FIFO DMA. Once the remaining FIFO space is less than ALTLEN, an alert signal is issued to UART to enable flow control. If ALTSCM is set to 1, remaining FIFO space == ALTLEN also trigger the alert signal. Normally, ALTLEN shall be larger than 16 for UART application.

83011844 DMA24 FFSIZE DMA CR4 Channel 24 Virtual FIFO Size Register 00000000

Bit	31	30	29	28	27	26	25	24	23	22	21	20	19	18	17	16
Name																
Type																

Reset																
Bit	15	14	13	12	11	10	9	8	7	6	5	4	3	2	1	0
Name	FFSIZE															
Type	RW															
Reset	0	0	0	0	0	0	0	0	0	0	0	0	0	0	0	0

Bit(s)	Name	Description
15:0	FFSIZE	Specifies the FIFO Size of Virtual FIFO DMA

83011848 DMA24 CVFF **DMA CR4 Channel 24 Cascade Virtual FIFO Control Register** **00000000**

Bit	31	30	29	28	27	26	25	24	23	22	21	20	19	18	17	16
Name	CASCADED_PORT_ADDR															
Type	RW															
Reset	0	0	0	0	0	0	0	0	0	0	0	0	0	0	0	0
Bit	15	14	13	12	11	10	9	8	7	6	5	4	3	2	1	0
Name	CASCADED_PORT_ADDR															CVFF_ENB
Type	RW															RW
Reset	0	0	0	0	0	0	0	0	0	0	0	0	0	0	0	0

Bit(s)	Name	Description
31:1	CASCADED_PORT_ADDR	Please fill in the other peripheral's virtual port address.
0	CVFF_ENB	When CVFF_EN is set to 1, DMA will change the source/destination from sysram to the other fixed address.

83011850 DMA24 TO **DMA CR4 Channel 24 Timeout Value Register** **00000000**

Bit	31	30	29	28	27	26	25	24	23	22	21	20	19	18	17	16
Name	TIMEOUT_COUNTER															
Type	RW															
Reset	0	0	0	0	0	0	0	0	0	0	0	0	0	0	0	0
Bit	15	14	13	12	11	10	9	8	7	6	5	4	3	2	1	0
Name	TIMEOUT_COUNTER															
Type	RW															
Reset	0	0	0	0	0	0	0	0	0	0	0	0	0	0	0	0

Bit(s)	Name	Description
31:0	TIMEOUT_COUNTER	Interrupt will assert if there is no new data into fifo more than n T(bus clock).

83011910 DMA25_COUNT DMA CR4 Channel 25 Transfer Count Register 00000000

Bit	31	30	29	28	27	26	25	24	23	22	21	20	19	18	17	16
Name																
Type																
Reset																
Bit	15	14	13	12	11	10	9	8	7	6	5	4	3	2	1	0
Name	LEN															
Type	RW															
Reset	0	0	0	0	0	0	0	0	0	0	0	0	0	0	0	0

Bit(s)	Name	Description
15:0	LEN	<p>The amount of total transfer count</p> <p>This register specifies the amount of total transfer count that the DMA channel is required to perform. Upon completion, the DMA channel generates an interrupt request to the processor while ITEN in DMA_n_CON is set as '1'. Note that the total size of data being transferred by a DMA channel is determined by LEN together with the SIZE in DMA_n_CON, i.e. LEN x SIZE.</p>

83011914 DMA25_CON DMA CR4 Channel 25 Control Register 03F00000

Bit	31	30	29	28	27	26	25	24	23	22	21	20	19	18	17	16
Name							MAS							DI R	WP EN	WP SD
Type							RW							RW	RW	RW
Reset							1	1	1	1	1	1		0	0	0
Bit	15	14	13	12	11	10	9	8	7	6	5	4	3	2	1	0
Name	ITEN	TOEN										DREQ	DI NC	SIN C	SIZE	
Type	RW	RW										RW	RW	RW	RW	
Reset	0	0										0	0	0	0	0

Bit(s)	Name	Description
25:20	MAS	<p>Master selection.</p> <p>Specifies which master occupies this DMA channel. Once assigned to certain master, the corresponding DREQ and DACK are connected. For half-size and Virtual FIFO DMA channels, i.e. channels 3 ~ 25, a predefined address is assigned as</p>

Bit(s)	Name	Description
		well.
		Value Selected Master SADDR
		6'd0 : Don't Use
		6'd1 : Don't Use
		6'd2 : I2C-0 (HALF) TX 0x83090000
		6'd3 : I2C-0 (HALF) RX 0x83090000
		6'd4 : I2C-1 (HALF) TX 0x830A0000
		6'd5 : I2C-1 (HALF) RX 0x830A0000
		6'd6 : I2S/Audio (VFF) TX 0x22000000
		6'd7 : I2S/Audio (VFF) RX 0x22000000
		6'd8 : UART0(VFF) TX 0x83030000
		6'd9 : UART0(VFF) RX 0x83030000
		6'd10 : UART1(VFF) TX 0x83040000
		6'd11 : UART1(VFF) RX 0x83040000
		6'd12 : BTIF(VFF) TX 0x830E0000
		6'd13 : BTIF(VFF) RX 0x830E0000
		6'd14 : HIF(USB EP2I HALF) Tx 0x50310000
		6'd15 : HIF(USB EP2O VFF) Rx 0x50310004
		6'd16 : HIF(USB EP3I VFF) Tx 0x50310008
		6'd17 : HIF(USB EP3O VFF) Rx 0x5031000C
		6'd18 : HIF(USB EP4I VFF) Tx 0x50310010
		6'd19 : HIF(USB EP4O HALF) Rx 0x50310014
		6'd20 : ADC(VFF) RX 0x830D0000
		6'd21 : WIFI HIF(HALF) TRX 0x50201000
		6'd22 : not used 0x830B0000
		6'd23 : not used 0x830B0000
		6'd24~37 : VFF Data Port 0x79000m00
		*m is N-12
		other: reserved
		default :6'h3f
		SPI-M use full size channel
		If you use dma moving data from memory to memory (ex :full-size dma) , please select default value asyour master setting
18	DIR	Directions of DMA transfer for half-size and Virtual FIFO DMA channels, i.e. channels 3~25. The direction is from the perspective of the DMA masters. WRITE means read from master device and then write to the address specified in DMA_PGMADDR, and vice versa.
		0 Read (read from system RAM and write to device)
		1 Write (read from device and write to system RAM)
17	WPEN	Address-wrapping for ring buffer. The next address of DMA jumps to WRAP TO address when the current address matches WRAP POINT count.
		0 Disable
		1 Enable
16	WPSD	No effect on channel 12~25 (Virtual FIFO). The side using address-wrapping function. Only one side of a DMA channel can activate address-wrapping function at a time.
		0 Address-wrapping on source .
		1 Address-wrapping on destination.
15	ITEN	No effect on channel 12~25 (Virtual FIFO). DMA transfer completion interrupt enable.
		0 Disable
		1 Enable
14	TOEN	DMA transfer timeout interrupt enable.
		0 Disable
		1 Enable

Bit(s)	Name	Description																					
4	DREQ	<p>No effect on channel 1~11 (Full and Half-size).</p> <p>Throttle and handshake control for DMA transfer</p> <p>0 No throttle control during DMA transfer or transfers occurred only between memories</p> <p>1 Hardware handshake management</p> <p>The DMA master is able to throttle down the transfer rate by way of request-grant handshake.</p> <p>MAS Selected Master suggest DREQ setting</p> <p>6'd6 : I2S/Audio (VFF) TX 1</p> <p>6'd7 : I2S/Audio (VFF) RX 1</p> <p>6'd8 : UART0(VFF) TX 1</p> <p>6'd9 : UART0(VFF) RX 1</p> <p>6'd10 : UART1(VFF) TX 1</p> <p>6'd11 : UART1(VFF) RX 1</p> <p>6'd12 : BTIF(VFF) TX 1</p> <p>6'd13 : BTIF(VFF) RX 1</p> <p>6'd15 : HIF(USB EP2O VFF) Rx 1</p> <p>6'd16 : HIF(USB EP3I VFF) Tx 1</p> <p>6'd17 : HIF(USB EP3O VFF) Rx 1</p> <p>6'd18 : HIF(USB EP4I VFF) Tx 1</p> <p>6'd20 : ADC(VFF) RX 1</p>																					
3	DINC	<p>Incremental destination address. Destination addresses increase every transfer. If the setting of SIZE is Byte, Destination addresses increase by 1 every single transfer. If Half-Word, increase by 2; and if Word, increase by 4.</p> <p>0 Disable</p> <p>1 Enable</p> <p>No effect on channel 12~25 (Virtual FIFO). Destination address is the master fixed address for read(TX) or the Virtual FIFO write pointer for write(RX)</p>																					
2	SINC	<p>Incremental source address. Source addresses increase every transfer. If the setting of SIZE is Byte, Source addresses increase by 1 every single transfer. If Half-Word, increase by 2; and if Word, increase by 4.</p> <p>0 Disable</p> <p>1 Enable</p> <p>No effect on channel 12~25 (Virtual FIFO). Source address is the Virtual FIFO read pointer for read(TX) or the master fixed address for write(RX).</p>																					
1:0	SIZE	<p>Data size within the confine of a bus cycle per transfer. These bits confines the data transfer size between source and destination to the</p> <p>specified value for individual bus cycle. The size is in terms of byte and has maximum value of 4 bytes. It is mainly decided by the data width of</p> <p>a DMA master.</p> <p>00 Byte transfer/1 byte</p> <p>01 Half-word transfer/2 bytes</p> <p>10 Word transfer/4 bytes</p> <p>11 Reserved</p> <p>The SIZE register setting depends on devices. The following table lists all VFIFO channels, associated devices, and data width per beat.</p> <table border="1"> <thead> <tr> <th>channel</th> <th>Module</th> <th>Support DMA beat size</th> </tr> </thead> <tbody> <tr> <td>VFIFO12</td> <td>I2S TX</td> <td>4Byte</td> </tr> <tr> <td>VFIFO13</td> <td>I2S RX</td> <td>4Byte</td> </tr> <tr> <td>VFIFO14</td> <td>UART0 TX</td> <td>1Byte</td> </tr> <tr> <td>VFIFO15</td> <td>UART0 RX</td> <td>1Byte</td> </tr> <tr> <td>VFIFO16</td> <td>UART1 TX</td> <td>1Byte</td> </tr> <tr> <td>VFIFO17</td> <td>UART1 RX</td> <td>1Byte</td> </tr> </tbody> </table>	channel	Module	Support DMA beat size	VFIFO12	I2S TX	4Byte	VFIFO13	I2S RX	4Byte	VFIFO14	UART0 TX	1Byte	VFIFO15	UART0 RX	1Byte	VFIFO16	UART1 TX	1Byte	VFIFO17	UART1 RX	1Byte
channel	Module	Support DMA beat size																					
VFIFO12	I2S TX	4Byte																					
VFIFO13	I2S RX	4Byte																					
VFIFO14	UART0 TX	1Byte																					
VFIFO15	UART0 RX	1Byte																					
VFIFO16	UART1 TX	1Byte																					
VFIFO17	UART1 RX	1Byte																					

Bit(s)	Name	Description
	VFIFO18	BTIF TX 1Byte
	VFIFO19	BTIF RX 1Byte
	VFIFO20	HIF(USB EP2O VFF) Rx 4Byte
	VFIFO21	HIF(USB EP3I VFF) Tx 4Byte
	VFIFO22	HIF(USB EP3O VFF) Rx 4Byte
	VFIFO23	HIF(USB EP4I VFF) Tx 4Byte
	VFIFO24	HIF(USB EP4O VFF) Rx 4Byte
	VFIFO25	ADC(VFF) RX 4Byte

83011918 DMA25_START DMA CR4 Channel 25 Start Register 00000000

Bit	31	30	29	28	27	26	25	24	23	22	21	20	19	18	17	16
Name																
Type																
Reset																
Bit	15	14	13	12	11	10	9	8	7	6	5	4	3	2	1	0
Name	STR															
Type	RW															
Reset	0															

Bit(s)	Name	Description
15	STR	Start control for a DMA channel. 0 The DMA channel is stopped. 1 The DMA channel is started and running.

8301191C DMA25_INTSTA DMA CR4 Channel 25 Interrupt Status Register 00000000

Bit	31	30	29	28	27	26	25	24	23	22	21	20	19	18	17	16
Name																TOINT
Type																RO
Reset																0
Bit	15	14	13	12	11	10	9	8	7	6	5	4	3	2	1	0
Name	INT															
Type	RO															
Reset	0															

Bit(s)	Name	Description
16	TOINT	Timeout Interrupt Status for DMA Channel 0 No interrupt request is generated. 1 One interrupt request is pending and waiting for service. No effect on channel 1~11 (Full and Half-size).

Bit(s)	Name	Description
15	INT	Interrupt Status for DMA Channel 0 No interrupt request is generated. 1 One interrupt request is pending and waiting for service.

83011920 DMA25 ACKINT DMA CR4 Channel 25 Interrupt Acknowledge Register 00000000

Bit	31	30	29	28	27	26	25	24	23	22	21	20	19	18	17	16
Name																TOACK
Type																WO
Reset																0
Bit	15	14	13	12	11	10	9	8	7	6	5	4	3	2	1	0
Name	ACK															
Type	WO															
Reset	0															

Bit(s)	Name	Description
16	TOACK	TOACK Timeout Interrupt acknowledge for the DMA channel 0 No effect 1 Interrupt request is acknowledged and should be relinquished. No effect on channel 1~11 (Full and Half-size).
15	ACK	ACK Interrupt acknowledge for the DMA channel 0 No effect 1 Interrupt request is acknowledged and should be relinquished.

83011928 DMA25 LIMITER DMA CR4 Channel 25 Bandwidth Limiter Register 00000000

Bit	31	30	29	28	27	26	25	24	23	22	21	20	19	18	17	16
Name																
Type																
Reset																
Bit	15	14	13	12	11	10	9	8	7	6	5	4	3	2	1	0
Name									LIMITER							
Type									RW							
Reset									0	0	0	0	0	0	0	0

Bit(s)	Name	Description
7:0	LIMITER	from 0 to 255. 0 means no limitation, 255 means totally banned, and others mean Bus access permission every 4

Bit(s)	Name	Description
		X n) AHB clock

8301192C DMA25_PGMADDR DMA CR4 Channel 25 Programmable Address Register 00000000

Bit	31	30	29	28	27	26	25	24	23	22	21	20	19	18	17	16
Name	PGMADDR															
Type	RW															
Reset	0	0	0	0	0	0	0	0	0	0	0	0	0	0	0	0
Bit	15	14	13	12	11	10	9	8	7	6	5	4	3	2	1	0
Name	PGMADDR															
Type	RW															
Reset	0	0	0	0	0	0	0	0	0	0	0	0	0	0	0	0

Bit(s)	Name	Description
31:0	PGMADDR	PGMADDR[31:0] specifies the addresses for a half-size DMA channel or virtual FIFO WRITE : address of the source/destination. READ : current address of the transfer. This address represents a source address if DIR in DMA_CON is set to 0, and represents a destination address if DIR in DMA_CON is set to 1. Before being able to program these register, the software should make sure that STR in DMA _n _START is set to '0', that is the DMA channel is stopped and disabled completely. Otherwise, the DMA channel may run out of order.

83011930 DMA25_WRPTR DMA CR4 Channel 25 Write Pointer 00000000

Bit	31	30	29	28	27	26	25	24	23	22	21	20	19	18	17	16
Name	WRPTR															
Type	RO															
Reset	0	0	0	0	0	0	0	0	0	0	0	0	0	0	0	0
Bit	15	14	13	12	11	10	9	8	7	6	5	4	3	2	1	0
Name	WRPTR															
Type	RO															
Reset	0	0	0	0	0	0	0	0	0	0	0	0	0	0	0	0

Bit(s)	Name	Description
31:0	WRPTR	Virtual FIFO Write Pointer

83011934 DMA25_RDPTR DMA CR4 Channel 25 Read Pointer 00000000

Bit	31	30	29	28	27	26	25	24	23	22	21	20	19	18	17	16
Name	RDPTR															
Type	RO															
Reset	0	0	0	0	0	0	0	0	0	0	0	0	0	0	0	0
Bit	15	14	13	12	11	10	9	8	7	6	5	4	3	2	1	0
Name	RDPTR															
Type	RO															
Reset	0	0	0	0	0	0	0	0	0	0	0	0	0	0	0	0

Bit(s)	Name	Description
31:0	RDPTR	Virtual FIFO Read Pointer

83011938 DMA25_FFCNT DMA CR4 Channel 25 FIFO Count 00000000

Bit	31	30	29	28	27	26	25	24	23	22	21	20	19	18	17	16
Name																
Type																
Reset																
Bit	15	14	13	12	11	10	9	8	7	6	5	4	3	2	1	0
Name	FFCNT															
Type	RW															
Reset	0	0	0	0	0	0	0	0	0	0	0	0	0	0	0	0

Bit(s)	Name	Description
15:0	FFCNT	To display the number of data stored in Virtual FIFO

8301193C DMA25_FFSTA DMA CR4 Channel 25 FIFO Status 00000000

Bit	31	30	29	28	27	26	25	24	23	22	21	20	19	18	17	16
Name																
Type																
Reset																
Bit	15	14	13	12	11	10	9	8	7	6	5	4	3	2	1	0
Name														AL T	EM PT Y	FU LL
Type														RO	RO	RO
Reset														0	0	0

Bit(s)	Name	Description
2	ALT	To indicate FIFO Count is larger than ALTLEN. DMA issues an alert signal to UART to enable UART flow control. 0 Not reach alert region. 1 Reach alert region.
1	EMPTY	To indicate FIFO is empty. 0 Not Empty 1 Empty
0	FULL	To indicate FIFO is full. 0 Not Full 1 Full

83011940 DMA25 ALTLEN DMA CR4 Channel 25 Alert Length Register 00000000

Bit	31	30	29	28	27	26	25	24	23	22	21	20	19	18	17	16
Name	ALTS															
Type	RW															
Reset	0															
Bit	15	14	13	12	11	10	9	8	7	6	5	4	3	2	1	0
Name	ALTLEN															
Type	RW															
Reset	0	0	0	0	0	0	0	0	0	0	0	0	0	0	0	0

Bit(s)	Name	Description
31	ALTSCM	Specifies the compare equation between ALTLEN and FIFO_SIZE-FIFO_CNT. 1'b0: if ALTLEN > FIFO_SIZE-FIFO_CNT, trigger fifo_alt signal to device for warning device that VFIFO will be full soon. 1'b1: if ALTLEN >= FIFO_SIZE-FIFO_CNT, trigger fifo_alt signal to device for warning device that VFIFO will be full soon.
15:0	ALTLEN	Specifies the Alert Length of Virtual FIFO DMA. Once the remaining FIFO space is less than ALTLEN, an alert signal is issued to UART to enable flow control. If ALTSCM is set to 1, remaining FIFO space == ALTLEN also trigger the alert signal. Normally, ALTLEN shall be larger than 16 for UART application.

83011944 DMA25 FFSIZE DMA CR4 Channel 25 Virtual FIFO Size Register 00000000

Bit	31	30	29	28	27	26	25	24	23	22	21	20	19	18	17	16
Name																
Type																
Reset																

Bit	15	14	13	12	11	10	9	8	7	6	5	4	3	2	1	0
Name	FFSIZE															
Type	RW															
Reset	0	0	0	0	0	0	0	0	0	0	0	0	0	0	0	0

Bit(s)	Name	Description
15:0	FFSIZE	Specifies the FIFO Size of Virtual FIFO DMA

83011948 DMA25 CVFF DMA CR4 Channel 25 Cascade Virtual FIFO Control Register 00000000

Bit	31	30	29	28	27	26	25	24	23	22	21	20	19	18	17	16
Name	CASCADED_PORT_ADDR															
Type	RW															
Reset	0	0	0	0	0	0	0	0	0	0	0	0	0	0	0	0
Bit	15	14	13	12	11	10	9	8	7	6	5	4	3	2	1	0
Name	CASCADED_PORT_ADDR															CVFF_ENB
Type	RW															RW
Reset	0	0	0	0	0	0	0	0	0	0	0	0	0	0	0	0

Bit(s)	Name	Description
31:1	CASCADED_PORT_ADDR	Please fill in the other peripheral's virtual port address. When CVFF_EN is set to 1, DMA will change the source/destination from sysram to the other fixed address.
0	CVFF_ENB	

83011950 DMA25 TO DMA CR4 Channel 25 Timeout Value Register 00000000

Bit	31	30	29	28	27	26	25	24	23	22	21	20	19	18	17	16
Name	TIMEOUT_COUNTER															
Type	RW															
Reset	0	0	0	0	0	0	0	0	0	0	0	0	0	0	0	0
Bit	15	14	13	12	11	10	9	8	7	6	5	4	3	2	1	0
Name	TIMEOUT_COUNTER															
Type	RW															
Reset	0	0	0	0	0	0	0	0	0	0	0	0	0	0	0	0

Bit(s)	Name	Description
--------	------	-------------

Bit(s)	Name	Description
31:0	TIMEOUT_COUNTER	Interrupt will assert if there is no new data into fifo more than n T(bus clock).

2.4.6 General Purpose Timer

MT76X7 includes the General Purpose Timer (GPT).

Five independent timers are included. Timer 0, 1, and 3 are interrupt-based timers, while timer 1 and timer 4 are free-run timers.

GPT provides counter in 32k clock and asserts interrupt when needed. There are two interrupt counters and two free counters in GPT.

- Interrupt counter: counts from a programmable initial value and asserts interrupt when count to 0. The interrupt can be one-shot or auto-repeat form. The unit of counter can be 1kHz(32/32kHz) or 1 x 32kHz cycle.
- Freer-run counter: counts freely when it is enabled. The unit of counter is 1kHz(32/32kHz) cycle or 1 x 32kHz cycle.

Two modes are defined in interrupt-based timers:

- One-shot mode—the timer stops when the timer counts down to 0.
- Auto-repeat mode—the timer re-starts when the timer counts down to 0.

Table 2-23. General Purpose Timer Types

	Mode	Clock speed	Interrupt Source
GPT0	Interrupt-based	1KHz(GPT0_CTRL[2]=0) or 32KHz(GPT0_CTRL[2]=1)	GPT
GPT1	Interrupt-based	1KHz(GPT1_CTRL[2]=0) or 32KHz(GPT1_CTRL[2]=1)	
GPT2	Free-run	1KHz(GPT2_CTRL[1]=0) or 32KHz(GPT2_CTRL[1]=1)	n/a
GPT3	Interrupt based	26MHz (oscillator clock)	GPT3
GPT4	Free-run	Bus clock or bus clock / 2	n/a

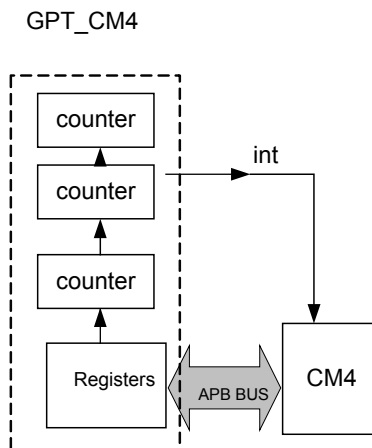


Figure 2-31. The system diagram of the GPT_CM4

2.4.6.1 Register Definitions

Module name: gpt_cm4 Base address: (+8305000h)

Address	Name	Width	Register Function
83050000	<u>GPT_ISR</u>	32	GPT Interrupt Status Register
83050004	<u>GPT_IER</u>	32	GPT Interrupt Enable Register
83050010	<u>GPTo_CTRL</u>	32	GPTo Control Register

Address	Name	Width	Register Function
83050014	<u>GPT0_ICNT</u>	32	GPT0 Initial Counter Register
83050020	<u>GPT1_CTRL</u>	32	GPT1 Control Register
83050024	<u>GPT1_ICNT</u>	32	GPT1 Initial Counter Register
83050030	<u>GPT2_CTRL</u>	32	GPT2 Control Register
83050034	<u>GPT2_CNT</u>	32	GPT2 Counter Register
83050040	<u>GPT0_CNT</u>	32	GPT0 Counter Register
83050044	<u>GPT1_CNT</u>	32	GPT1 Counter Register
83050060	<u>GPT4_CTRL</u>	32	GPT4 Control Register
83050064	<u>GPT4_INIT</u>	32	GPT4 Initial Value
83050068	<u>GPT4_CNT</u>	32	GPT4 Counter Register

83050000 GPT_ISR **GPT Interrupt Status Register** **00000000**

Bit	31	30	29	28	27	26	25	24	23	22	21	20	19	18	17	16
Name																
Type																
Reset																
Bit	15	14	13	12	11	10	9	8	7	6	5	4	3	2	1	0
Name															GP T1_ INT	GP To_ I NT
Type															RW	RW
Reset															0	0

Bit(s)	Name	Description
1	GPT1_INT	Timer 1 interrupt. Firmware writes 1 to clear this bit, write 0 is meaningless.
0	GPT0_INT	Timer 0 interrupt. Firmware writes 1 to clear this bit, write 0 is meaningless.

83050004 GPT_IER **GPT Interrupt Enable Register** **00000000**

Bit	31	30	29	28	27	26	25	24	23	22	21	20	19	18	17	16
Name																
Type																
Reset																
Bit	15	14	13	12	11	10	9	8	7	6	5	4	3	2	1	0
Name															GP T1_ INT _E	GP To_ I NT

																	N	_E N
Type																	RW	RW
Reset																	0	0

Bit(s)	Name	Description
1	GPT1_INT_EN	Timer 1 interrupt enable 0: Disable interrupt 1: Enable interrupt
0	GPT0_INT_EN	Timer 0 interrupt enable 0: Disable interrupt 1: Enable interrupt

83050010 GPT0_CTRL GPT0 Control Register 00000000

Bit	31	30	29	28	27	26	25	24	23	22	21	20	19	18	17	16
Name																
Type																
Reset																
Bit	15	14	13	12	11	10	9	8	7	6	5	4	3	2	1	0
Name													RE ST AR T	SP EE D	MO DE	EN
Type													RW	RW	RW	RW
Reset													0	0	0	0

Bit(s)	Name	Description
3	RESTART	This register will be auto-clear after restart the counter 0: No any change 1: Restart counter
2	SPEED	This register controls the unit of counter. 0: unit of 32 x 32.768/32KHz cycle 1: unit of 1 x 32.768KHz cycle
1	MODE	This register controls the timer to count repeatedly (in a loop) or just one-shot. SW needs to set this register when GPT0_CTRL[0] = 0. 0: One-shot mode is selected. 1: Auto-repeat mode is selected.
0	EN	This register controls timer to start counting or to stop. 0: timer is disabled. 1: timer is enabled

83050014 GPT0_ICNT GPT0 Initial Counter Register 00000000

Bit	31	30	29	28	27	26	25	24	23	22	21	20	19	18	17	16
Name	CNT															
Type	RW															

Reset	0	0	0	0	0	0	0	0	0	0	0	0	0	0	0	0
Bit	15	14	13	12	11	10	9	8	7	6	5	4	3	2	1	0
Name	CNT															
Type	RW															
Reset	0	0	0	0	0	0	0	0	0	0	0	0	0	0	0	0

Bit(s)	Name	Description
31:0	CNT	Initial counting value, in unit of 32 x 32.768/32KHz (or 1 x 32.768KHz) cycle. The unit depends on the value of GPT0_CTRL[2]. The timer runs on 32.768KHz and counts down from this value whenever enabled. When timer counts down to zero, an interrupt is generated. SW needs to set this register when GPT0_CTRL[0] = 0.

83050020 GPT1_CTRL **GPT1 Control Register** **00000000**

Bit	31	30	29	28	27	26	25	24	23	22	21	20	19	18	17	16
Name																
Type																
Reset																
Bit	15	14	13	12	11	10	9	8	7	6	5	4	3	2	1	0
Name													RE ST AR T	SP EE D	MO DE	EN
Type													RW	RW	RW	RW
Reset													0	0	0	0

Bit(s)	Name	Description
3	RESTART	This register will be auto-clear after restart the counter 0: No any change 1: Restart counter
2	SPEED	This register controls the unit of counter. 0: unit of 32 x 32.768/32KHz cycle 1: unit of 1 x 32.768KHz cycle
1	MODE	This register controls the timer to count repeatedly (in a loop) or just one-shot. SW needs to set this register when GPT1_CTRL[0] = 0. 0: One-shot mode is selected. 1: Auto-repeat mode is selected.
0	EN	This register controls timer to start counting or to stop. 0: timer is disabled. 1: timer is enabled

83050024 GPT1_ICNT **GPT1 Initial Counter Register** **00000000**

Bit	31	30	29	28	27	26	25	24	23	22	21	20	19	18	17	16
-----	----	----	----	----	----	----	----	----	----	----	----	----	----	----	----	----

Name	CNT															
Type	RW															
Reset	0	0	0	0	0	0	0	0	0	0	0	0	0	0	0	0
Bit	15	14	13	12	11	10	9	8	7	6	5	4	3	2	1	0
Name	CNT															
Type	RW															
Reset	0	0	0	0	0	0	0	0	0	0	0	0	0	0	0	0

Bit(s)	Name	Description
31:0	CNT	Initial counting value, in unit of 32 x 32.768/32KHz (or 1 x 32.768KHz) cycle. The unit depends on the value of GPT1_CTRL[2]. The timer runs on 32.768KHz and counts down from this value whenever enabled. When timer counts down to zero, an interrupt is generated. SW needs to set this register when GPT1_CTRL[0] = 0.

83050030 GPT2_CTRL GPT2 Control Register 00000000

Bit	31	30	29	28	27	26	25	24	23	22	21	20	19	18	17	16
Name																
Type																
Reset																
Bit	15	14	13	12	11	10	9	8	7	6	5	4	3	2	1	0
Name															SP EE D	EN
Type															RW	RW
Reset															0	0

Bit(s)	Name	Description
1	SPEED	This register controls the unit of counter. 0: unit of 32.768/32KHz cycle 1: unit of 1 x 32.768KHz cycle
0	EN	This register controls timer to start counting or to stop. 0: timer is disabled. 1: timer is enabled

83050034 GPT2_CNT GPT2 Counter Register 00000000

Bit	31	30	29	28	27	26	25	24	23	22	21	20	19	18	17	16
Name	CNT															
Type	RW															
Reset	0	0	0	0	0	0	0	0	0	0	0	0	0	0	0	0

Bit	15	14	13	12	11	10	9	8	7	6	5	4	3	2	1	0
Name	CNT															
Type	RW															
Reset	0	0	0	0	0	0	0	0	0	0	0	0	0	0	0	0

Bit(s)	Name	Description
31:0	CNT	<p>Initial / Counting value, in unit of 32 x 32.768/32KHz cycle.</p> <p>This counter counts from initial value after enable. When GPT2_CTRL[0] (ie. gpt2_en) is 0, this register is used to for counter initial value setting. Its type is R/W. When GPT2_CTRL[0] (ie. gpt2_en) is 1, this register is used to for current counting value reading. Once the gpt2_en is turned on, the current counting value can be read out after 3T 32kHz clock.</p>

83050040 GPT0 CNT **GPT0 Counter Register** **00000000**

Bit	31	30	29	28	27	26	25	24	23	22	21	20	19	18	17	16
Name	CNT															
Type	RW															
Reset	0	0	0	0	0	0	0	0	0	0	0	0	0	0	0	0
Bit	15	14	13	12	11	10	9	8	7	6	5	4	3	2	1	0
Name	CNT															
Type	RW															
Reset	0	0	0	0	0	0	0	0	0	0	0	0	0	0	0	0

Bit(s)	Name	Description
31:0	CNT	<p>Current counter value, in unit of 32 x 32.768/32KHz cycle (or 1 x 32.768KHz cycle).</p> <p>Once the gpt0_en is turned on, the current counting value can be read out after 3T 32kHz clock.</p>

83050044 GPT1 CNT **GPT1 Counter Register** **00000000**

Bit	31	30	29	28	27	26	25	24	23	22	21	20	19	18	17	16
Name	CNT															
Type	RW															
Reset	0	0	0	0	0	0	0	0	0	0	0	0	0	0	0	0
Bit	15	14	13	12	11	10	9	8	7	6	5	4	3	2	1	0
Name	CNT															
Type	RW															
Reset	0	0	0	0	0	0	0	0	0	0	0	0	0	0	0	0

Bit(s)	Name	Description
31:0	CNT	Current counter value, in unit of 32 x 32.768/32KHz cycle (or 1 x 32.768KHz cycle). Once the gpt1_en is turned on, the current counting value can be read out after 3T 32kHz clock.

83050060 GPT4_CTRL **GPT4 Control Register** **00000000**

Bit	31	30	29	28	27	26	25	24	23	22	21	20	19	18	17	16
Name																
Type																
Reset																
Bit	15	14	13	12	11	10	9	8	7	6	5	4	3	2	1	0
Name															SP EE D	GP T4 _E N
Type															RW	RW
Reset															0	0

Bit(s)	Name	Description
1	SPEED	This register controls the unit of counter. 0: the freq of the half of bus clock 1: the freq of bus clock (For FPGA the Bus clock is 40Mhz, for ASIC the Bus clock is 160Mhz)
0	GPT4_EN	This register controls counter to start counting or to stop. 0: counter is disabled. 1: counter is enabled

83050064 GPT4_INIT **GPT4 Initial Value** **00000000**

Bit	31	30	29	28	27	26	25	24	23	22	21	20	19	18	17	16
Name	GPT4_INIT															
Type	RW															
Reset	0	0	0	0	0	0	0	0	0	0	0	0	0	0	0	0
Bit	15	14	13	12	11	10	9	8	7	6	5	4	3	2	1	0
Name	GPT4_INIT															
Type	RW															
Reset	0	0	0	0	0	0	0	0	0	0	0	0	0	0	0	0

Bit(s)	Name	Description
31:0	GPT4_INIT	Initial value of GPT4. When GPT4 is disabled, this value will be automatically loaded into

Bit(s)	Name	Description
		GPT4 counter.

83050068 GPT4_CNT GPT4 Counter Register 00000000

Bit	31	30	29	28	27	26	25	24	23	22	21	20	19	18	17	16
Name	GPT4_CNT															
Type	RO															
Reset	0	0	0	0	0	0	0	0	0	0	0	0	0	0	0	0
Bit	15	14	13	12	11	10	9	8	7	6	5	4	3	2	1	0
Name	GPT4_CNT															
Type	RO															
Reset	0	0	0	0	0	0	0	0	0	0	0	0	0	0	0	0

Bit(s)	Name	Description
31:0	GPT4_CNT	Current counter value of GPT4 when GPT4 is enabled (GPT4_EN=1)

2.4.7 Watchdog Timer

MT76X7 features the watchdog timer for CM4, which is used to recover the system to the initial status when the system hangs due to some malfunction.

WDT provides two ways to generate the WDT event:

- Triggered by the time-out event (by configuring WDT_MODE:0x83080030 and WDT_LENGTH:0x83080034). The WDT has an 11-bit counter and it uses the 32 KHz clock. The software regularly restarts the timer to prevent it from expiring. If it fails to restart the WDT, the timer would expire and generate a WDT event.
- Triggered by software programming (WDT_SWRST:0x83080044).

WDT provides the following options when a WDT event is generated:

- 0x83080030[3]=0: Reset mode
 - 0x8300917C[16] = 1: WDT whole chip mode. Reset the whole chip including CM4 and N9 subsystems.
 - 0x8300917C[16] = 0: WDT MCU mode. Reset CM4 subsystem only.
- 0x83080030[3]=1: Interrupt mode
 - Issue an interrupt to CM4 instead of resetting whole chip or CM4 subsystem.

The WDT module can only be reset by the external reset (SYS_RST_N) and the PMU reset. Some WDT control registers feature a key protection mechanism such that an unintentional access would be prevented.

WDT also provides the capability for CM4 software to interrupt N9 or reset N9 (by configuring WDT_DUAL_CORE:0x83080080).

2.4.7.1 Register Definitions

Module name: wdt_cm4 Base address: (+8308000h)

Address	Name	Width	Register Function
83080030	<u>WDT_MODE</u>	32	Watchdog Timer Control Register
83080034	<u>WDT_LENGTH</u>	32	Watchdog Time-Out Interval Register
83080038	<u>WDT_RESTART</u>	32	Watchdog Timer Restart Register
8308003C	<u>WDT_STA</u>	32	Watchdog Timer Status Register
83080040	<u>WDT_INTERVAL</u>	32	Watchdog Reset Duration Register
83080044	<u>WDT_SWRST</u>	32	Watchdog Timer Software Reset Register
83080080	<u>WDT_DUAL_CORE</u>	32	Watchdog Timer Dual Core Reset/Interrupt Register

83080030 WDT_MODE Watchdog Timer Control Register 00000000

Bit	31	30	29	28	27	26	25	24	23	22	21	20	19	18	17	16
Name																
Type																
Reset																
Bit	15	14	13	12	11	10	9	8	7	6	5	4	3	2	1	0
Name	KEY												IRQ	RSV1	RSV2	ENABLE
Type	WO												RW	RW	RW	RW
Reset	0	0	0	0	0	0	0	0					0	0	0	0

Bit(s)	Name	Description
15:8	KEY	Write access is allowed if KEY=0x22
3	IRQ	Issue an interrupt instead of a Watchdog Timer reset. For debug purposes, RGU issues an interrupt to the MCU instead of resetting the system. 1'b0: WDT reset mode 1'b1: WDT interrupt mode
2	RSV1	Reserve for future use
1	RSV2	Reserve for future use
0	ENABLE	Enables the Watchdog Timer. Default watchdog timer is disabled. 1'b0: Disables the Watchdog Timer. 1'b1: Enables the Watchdog Timer.

83080034 WDT_LENGTH
Watchdog Time-Out Interval Register
0000FFE0

Bit	31	30	29	28	27	26	25	24	23	22	21	20	19	18	17	16
Name																
Type																
Reset																
Bit	15	14	13	12	11	10	9	8	7	6	5	4	3	2	1	0
Name	TIMEOUT											KEY				
Type	RW											WO				
Reset	1	1	1	1	1	1	1	1	1	1	1	0	0	0	0	0

Bit(s)	Name	Description
15:5	TIMEOUT	The Watchdog time-out down count counter is started with {TIMEOUT [10:0], 11_1111_1111b}. Thus the Watchdog Timer time-out period is a multiple of 1024* T32k = 32ms*(TIMEOUT + 1) if T32k is ideal. When the Watchdog time-out counter down count to zero, it will trigger the Watchdog event.
4:0	KEY	Write access is allowed if KEY=08h

83080038 WDT_RESTART
Watchdog Timer Restart Register
00000000

Bit	31	30	29	28	27	26	25	24	23	22	21	20	19	18	17	16
Name	KEY															
Type	WO															
Reset	0	0	0	0	0	0	0	0	0	0	0	0	0	0	0	0
Bit	15	14	13	12	11	10	9	8	7	6	5	4	3	2	1	0
Name	KEY															
Type	WO															
Reset	0	0	0	0	0	0	0	0	0	0	0	0	0	0	0	0

Bit(s)	Name	Description
31:0	KEY	Restart the Watchdog time-out counter if KEY=1971h. Only when counter is restarted, the WDT_LENGTH and WDT_INTERVAL are loaded into the time-out counter.

8308003C WDT_STA
Watchdog Timer Status Register
00000000

Bit	31	30	29	28	27	26	25	24	23	22	21	20	19	18	17	16
Name																

Type																
Reset																
Bit	15	14	13	12	11	10	9	8	7	6	5	4	3	2	1	0
Name	WDT	SW_WDT	DUAL_CORE_WDT													
Type	RO	RO	RO													
Reset	0	0	0													

Bit(s)	Name	Description
15	WDT	Indicates if the Watchdog reset /interrupt was triggered by hardware timer time-out. 1'b0: No event 1'b1: Watchdog reset/interrupt due to hardware timer time-out period expired.
14	SW_WDT	Indicates if the Watchdog reset/interrupt was triggered by software. 1'b0: No event 1'b1: Watchdog reset/interrupt due to software-triggered.
13	DUAL_CORE_WDT	Indicate software triggered reset to the other Core 1'b0: No event 1'b1: Software has triggered reset to the other Core

83080040 WDT_INTERVAL Watchdog Reset Duration Register 0000FFF

Bit	31	30	29	28	27	26	25	24	23	22	21	20	19	18	17	16
Name																
Type																
Reset																
Bit	15	14	13	12	11	10	9	8	7	6	5	4	3	2	1	0
Name					LENGTH											
Type					RW											
Reset					1	1	1	1	1	1	1	1	1	1	1	1

Bit(s)	Name	Description
11:0	LENGTH	This register indicates the reset duration when WDT_MODE register IRQ bit is set to 0. The reset duration counter is T32k base. If the WDT_MODE register IRQ bit is set to 1, an interrupt is issued instead of a reset.

83080044 WDT_SWRST Watchdog Timer Software Reset Register 00000000

Bit	31	30	29	28	27	26	25	24	23	22	21	20	19	18	17	16
Name																
Type																
Reset																
Bit	15	14	13	12	11	10	9	8	7	6	5	4	3	2	1	0
Name	KEY															
Type	WO															
Reset	0	0	0	0	0	0	0	0	0	0	0	0	0	0	0	0

Bit(s)	Name	Description
15:0	KEY	Software-triggered reset/interrupt. If the register content matches the KEY, a watchdog reset is issued. However, if the WDT_MODE register IRQ bit is set to 1, an interrupt is issued instead of a reset. KEY = 1209h

83080080 WDT_DUAL_CORE Watchdog Timer Dual Core Reset/Interrupt Register 00000000

Bit	31	30	29	28	27	26	25	24	23	22	21	20	19	18	17	16
Name	SW_INT	SW_INT_CLR														
Type	RW	W1C														
Reset	0	0														
Bit	15	14	13	12	11	10	9	8	7	6	5	4	3	2	1	0
Name																Dual_Core_RST
Type																RW
Reset																0

Bit(s)	Name	Description
31	SW_INT	Write 1 trigger software interrupt to the other Core. CM4 software trigger interrupt to N9 EINT No.3 1'b1: Software trigger interrupt status 1'b0: No event
30	SW_INT_CLR	Write 1 clear SW_INT status
0	Dual_Core_RST	Write 1 trigger software reset to the other Core. This bit will be auto cleared and the reset signal duration will depends on LENGTH setting.

2.4.8 Efuse

MT76X7 uses embedded Efuse to store device specific configuration information such as MAC addresses, and power control settings.

The major fields defined in the Efuse:

- Wi-Fi MAC addresses
- Wi-Fi country code
- Wi-Fi TSSI parameters, TX power level
- Wi-Fi NIC configuration: RF front-end configuration, LED mode, baseband configuration
- Bluetooth MAC address
- Bluetooth TX power level.

2.4.9 Interrupt Controller

MT76X7 integrates the Nested Vectored Interrupt Controller (NVIC) for Cortex M4. The NVIC supports

- Level and pulse detection of interrupt signals
- Configurable priority
- Wake-up interrupt controller (WIC) providing ultra-low power sleep mode support

2.4.9.1 Interrupt Sources

The table below listed the NVIC and WIC interrupt sources. In total, there are 49 NVICs, while 23 of them are external interrupts multiplexed with GPIO functions.

The power domain/subsystem lists the power domain and the subsystem from which the interrupt is generated.

Table 2-24. CM4 NVIC Interrupt Source

NVIC No.	Interrupt source	Power domain /subsystem	External interrupt	Wake-up capability (1)	De-bounce	Description
INT0	UART1	CM4_OFF/MCUSYS_CM4				UART 1
INT1	DMA_CM4	CM4_OFF/MCUSYS_CM4				Generic DMA in CM4 subsystem
INT2	HIF_CM4	TOP_AON/HIFSYS		V		Wi-Fi host interface for CM4
INT3	I2C1	CM4_OFF/MCUSYS_CM4				I2C 1
INT4	I2C2	CM4_OFF/MCUSYS_CM4				I2C 2
INT5	UART2	CM4_OFF/MCUSYS_CM4				UART 2
INT6	CRYPTO	CM4_OFF/MCUSYS_CM4				Crypto engine
INT7	SF	CM4_OFF/MCUSYS_CM4				Serial flash controller, for debug
INT8	BTIF_N9_WAKE	TOP_OFF(N9)/MCUSYS_N9		V		Bluetooth interface in N9 subsystem to wake up CM4

NVIC No.	Interrupt source	Power domain /subsystem	External interrupt	Wake-up capability (1)	De-bounce	Description
INT9	BTIF	CM4_OFF/MCUSYS_CM4				Bluetooth interface in CM4 subsystem
INT10	WDT_CM4	TOP_AON/MCUSYS_CM4		V		Watchdog timer in CM4 subsystem
INT11	N9_TO_CM4_SW1	TOP_AON/MCUSYS_N9		V		N9 software interrupt to CM4
INT12	SPI_S	CM4_OFF/MCUSYS_CM4				SPI slave
INT13	WDT_N9	TOP_AON/MCUSYS_N9		V		Watchdog timer in N9 subsystem
INT14	ADC	CM4_OFF/MCUSYS_CM4				Auxiliary ADC FIFO
INT15	IRTX	CM4_OFF/MCUSYS_CM4				IrDA TX
INT16	IRRX	CM4_OFF/MCUSYS_CM4				IrDA RX
INT17	(Reserved)					
INT18	(Reserved)					
INT19	RTC_TIMER	RTC		V		RTC timer interrupt
INT20	GPT3	CM4_OFF/MCUSYS_CM4		V		GPT3 time-out
INT21	RTC_ALARM	RTC		V		RTC alarm interrupt
INT22	(Reserved)					
INT23	N9_TO_CM4_SW2	TOP_AON/MCUSYS_N9		V		N9 software interrupt to CM4
INT24	GPT	TOP_CON/MCUSYS_CM4		V		GPT0 or GPT1 time-out
INT25	ADC_COMP	TOP_AON		V		ADC comparison mode
INT26	(Reserved)					
INT27	SPI	CM4_OFF/MCUSYS_CM4				SPI transaction
INT28	(Reserved)					
INT29	(Reserved)					
INT30	(Reserved)					
INT31	WIC	TOP_AON/MCUSYS_CM4		V ⁽²⁾		WIC WAKEUP interrupt CM4
INT32	SWD_CLK	TOP_AON	WIC[0]	V	Available	GPIO[2]
INT33	I2C1_DATA	TOP_AON	WIC[1]	V	Available	GPIO[25]
INT34	I2C0_CLK	TOP_AON	WIC[2]	V	Available	GPIO[27]
INT35	I2S_MCLK_S PI_MOSI	TOP_AON	WIC[3]	V	Available	GPIO[29]
INT36	I2S_BCLK_S PI_CS	TOP_AON	WIC[4]	V	Available	GPIO[32]
INT37	ANT_SEL0	TOP_AON	WIC[5]	V	Available	GPIO[33]
INT38	ANT_SEL1	TOP_AON	WIC[6]	V	Available	GPIO[34]
INT39	GPIO17	TOP_AON	WIC[7]	V	Available	GPIO[36]
INT40	ADC0	TOP_AON	WIC[8]	V	Available	GPIO[57]
INT41	ADC1	TOP_AON	WIC[9]	V	Available	GPIO[58]
INT42	ADC2	TOP_AON	WIC[10]	V	Available	GPIO[59]
INT43	ADC3	TOP_AON	WIC[11]	V	Available	GPIO[60]

NVIC No.	Interrupt source	Power domain /subsystem	External interrupt	Wake-up capability (1)	De-bounce	Description
INT56	PWM0	TOP_AON	EINT[0]	V	Available	GPIO[0]
INT57	PWM1	TOP_AON	EINT[1]	V	Available	GPIO[1]
INT58	SWD_DIO	TOP_AON	EINT[2]	V	Available	GPIO[3]
INT59	GPIO0	TOP_AON	EINT[3]	V	Available	GPIO[4]
INT60	GPIO1	TOP_AON	EINT[4]	V	Available	GPIO[5]
INT61	GPIO2	TOP_AON	EINT[5]	V	Available	GPIO[6]
INT62	GPIO3	TOP_AON	EINT[6]	V	Available	GPIO[7]
INT75	GPIO16	TOP_AON	EINT[19]	V	Available	GPIO[35]
INT76	GPIO18	TOP_AON	EINT[20]	V	Available	GPIO[37]
INT77	GPIO19	TOP_AON	EINT[21]	V	Available	GPIO[38]
INT78	GPIO20	TOP_AON	EINT[22]	V	Available	GPIO[39]

Note 1: Capable to wake up CM4 when CM4 is in sleep mode.

Note 2: This interrupt is associated with other wake-up interrupts for CM4 to differentiate wake-up interrupts from non wake-up interrupts.

2.4.9.2 External Interrupt

MT76X7 has the optionally enabled hardware de-bouncing circuit for each interrupt source.

Table 2-25. CM4 External Interrupt De-Bounce Period

3-bit prescaler	Reference clock rate for de-bounce counter (KHz)	Minimum de-bounce period (ms)	Maximum de-bounce period (ms)
000	8	0.13	2
001	4	0.25	4
010	2	0.5	8
011	1	1	16
100	0.5	2	32
101	0.25	4	64
110	0.125	8	128
111	0.0625	16	256

2.4.10 Power-on Sequence

The power-on control sequence diagram shows how the code reset (PMU_RESET_N) is generated on chip.

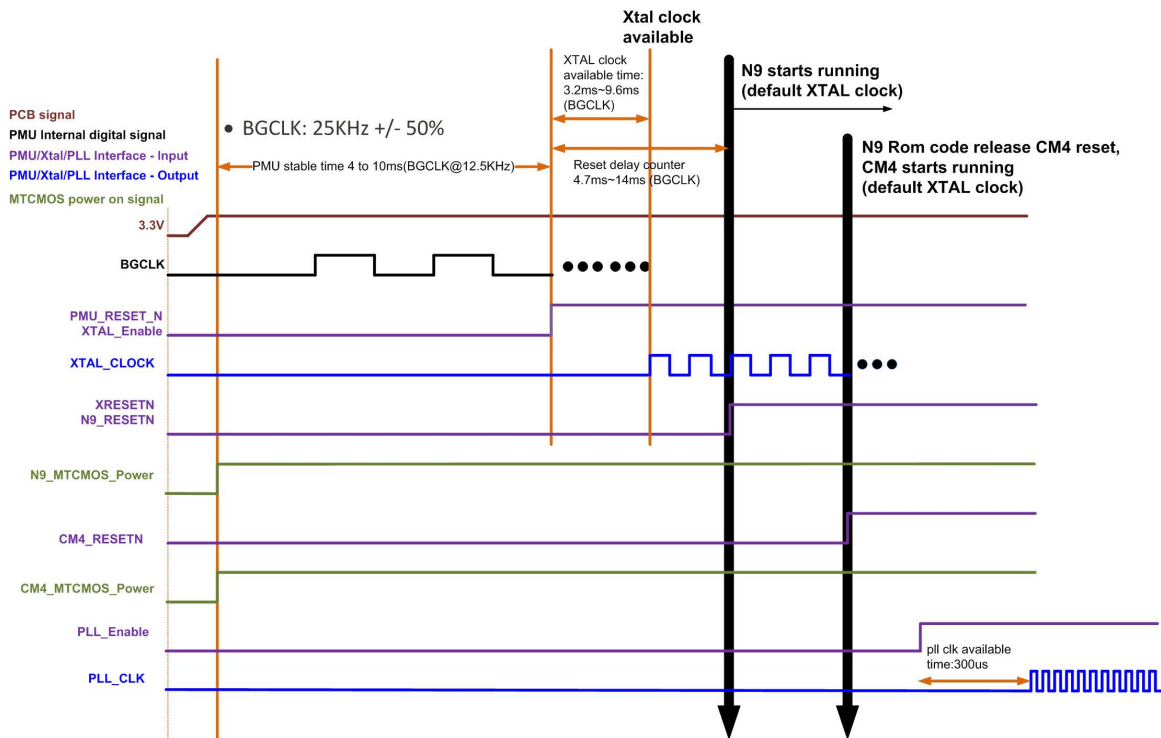


Figure 2-32. PMU Power-on Sequence

2.4.10.1 Power-on Reset (Cold Reset)

The power on reset sequence after chip power on is shown below.

- Step 1: N9 reset is de-asserted and boot from ROM (CM4 reset state is still asserted)
- Step 2: N9 sets up top configuration registers (such as PLL) and then de-asserts CM4 reset
- Step 3: CM4 boots from ROM while N9 polls the PDA (Patch Decryption Accelerator) status
- Step 4: CM4 fetch flash header (N9 FW download length information)
- Step 5: CM4 setup PDA and PDA address generator
- Step 6: PDA loads firmware from the flash to N9 IDLM
- Step 7: N9 executes from IDLM after PDA completes and CM4 executes from Cache/Flash or TCM.

2.4.10.2 Watchdog Reset

Watchdog reset WDT_N9 is the watchdog timer for N9, and WDT_CM4 is the watchdog timer for CM4.

When the WDT event of WDT_N9 occurs, WDT_N9 has the capability to

- Reset N9 or issue an interrupt to N9.
- Issue an interrupt to CM4 (can be masked by CM4 if it is not required to be received).

When the WDT event of WDT_CM4 occurs, WDT_CM4 has the capability to

- Reset whole chip or reset CM4 only or issue an interrupt to CM4.
- Issue an interrupt to N9 (can be masked by N9 if it's not required to be received).

For both WDT_N9 and WDT_CM4, the WDT events can be triggered by time-out and software programming.

For both WDT_N9 and WDT_CM4, the WDT has the capability to reset the other CPU or issue an interrupt to the other CPU.

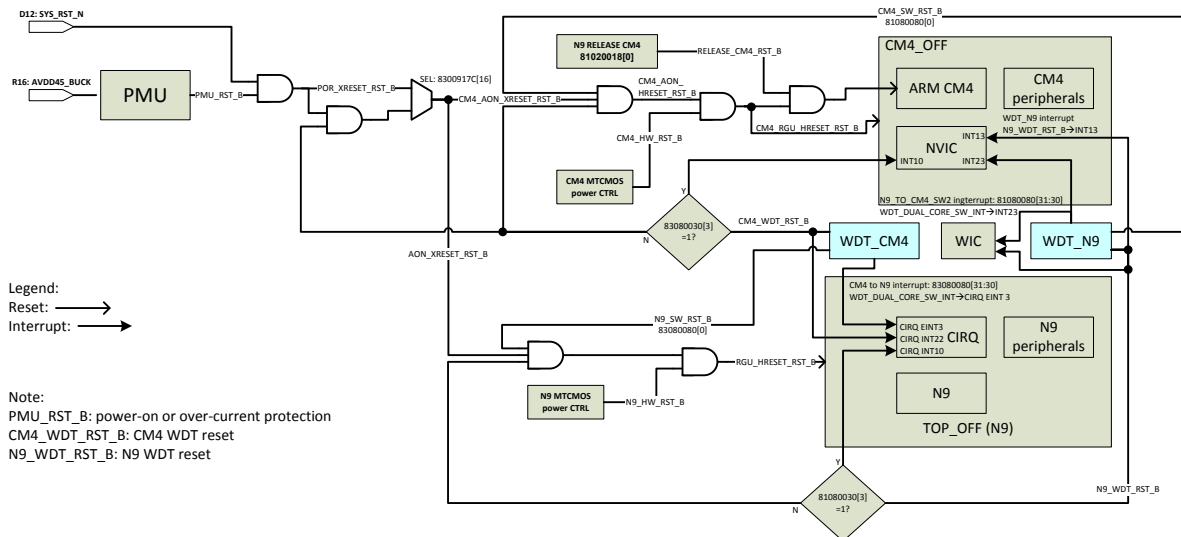


Figure 2-33. WDT Structure

2.4.10.3 Reset Scenarios

The definitions of the cold reset and the warm reset are shown below:

- Cold Reset: Power on reset and both RAM or peripheral devices will be initialized by firmware.
- Warm Reset: CPU is reset but RAM content is still retained (without firmware re-download). It's triggered by
 - Software reset: Software set WDT reset control register to reset CPU.
 - WDT reset: WDT expiration cause CPU to reset if enabled, otherwise interrupt.
 - Core reset: Reset by the other CPU (e.g. N9 to reset CM4 or CM4 to reset N9).
 - Wake-up from deep sleep mode: Reset by the MTCMOS power control.

2.4.10.4 Sleep/Wakeup sequence

The sleep/wakeup control sequence is shown in the diagram below.

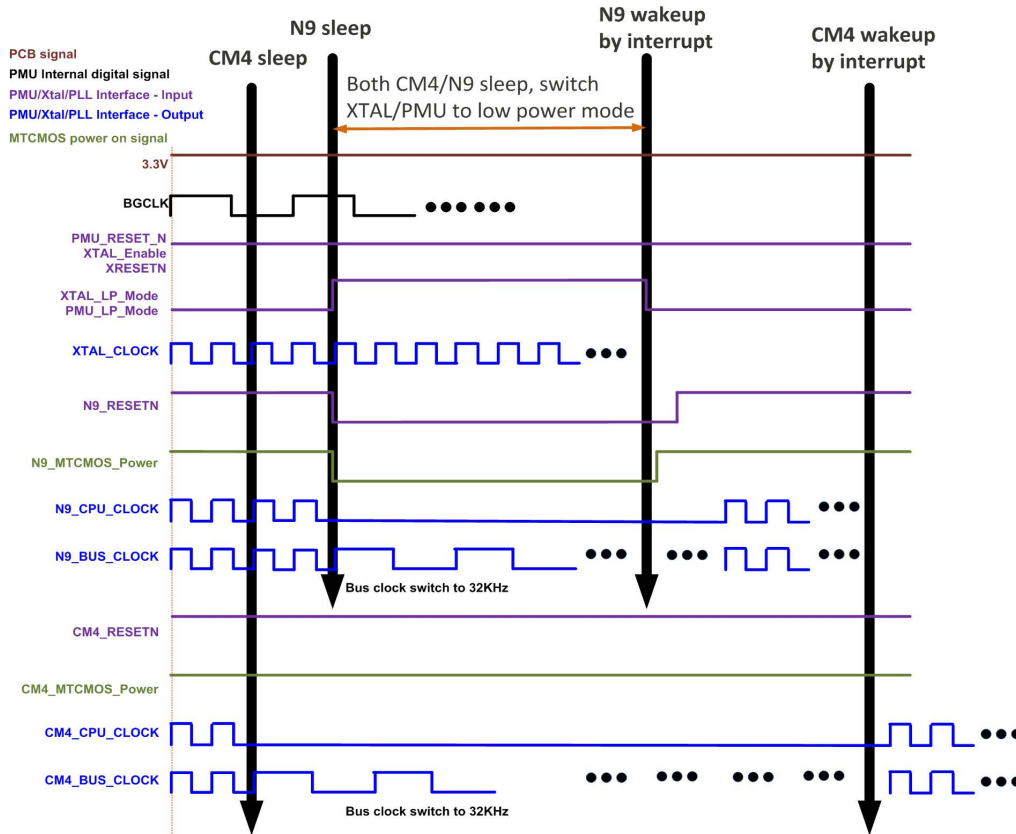


Figure 2-34. Sleep/Wakeup Sequence

2.4.11 Memory Map

The table below describes how the peripherals are mapped to the CM4 memory.

When the MCU performs a read transaction to an undefined address, the bus returns 0. When the MCU performs a write transaction to an undefined address, the bus regards it as an invalid transaction and does nothing. The memory space of 0x5040_0000 to 0x5FFF_FFFF is an undefined region and shall not be accessed.

The power domain is identified in the table. The hardware clock gating is associated with the power control. When the CPU power domain is in power-off mode, it implies that the clock is also gated.

The software clock gating control, identified in the table below, provides the way to disable the function and lower its power consumption when the function is not used.

Table 2-26. CM4 Memory Map

Start address	End address	Function	Power Domain	Software Clock gating control	Description
0x0000_0000	0x0000_FFFF	TCM ROM	CM4_OFF		Tightly Coupled ROM for CM4
0x0010_0000	0x0010_FFFF	TCM RAM0	CM4_OFF		Tightly Coupled RAM for CM4 (64KB)
0x0011_0000	0x0011_1FFF	TCM RAM1	CM4_OFF		Tightly Coupled RAM for CM4 (8KB)
0x0011_2000	0x0011_3FFF	TCM RAM2	CM4_OFF		Tightly Coupled RAM for CM4 (8KB)
0x0011_4000	0x0011_5FFF	TCM RAM3	CM4_OFF		Tightly Coupled RAM for CM4 (8KB)
0x0011_6000	0x0011_7FFF	TCM RAM4	CM4_OFF		Tightly Coupled RAM for CM4 (8KB)
0x1000_0000	0x1FFF_FFFF	Serial Flash CM4	CM4_OFF		Serial flash of CM4
0x2000_0000	0x2003_FFFF	SYSRAM_CM4	CM4_OFF		System RAM for CM4, 256Kbytes
0x2100_0000	0x2100_FFFF	SPI-S	CM4_OFF	0x8300_0200[21]	SPI slave
0x2200_0000	0x2200_FFFF	I2S/Audio	CM4_OFF	0x8300_0200[14]	I2S
0x2400_0000	0x2400_FFFF	SPI-M	CM4_OFF	0x8300_0200[22]	SPI master
0x2500_0000	0x2500_CFFF	SYSRAM_N9	TOP_OFF(N9)		System RAM for N9, 52Kbytes
0x3000_0000	0x3FFF_FFFF	Serial Flash CM4	CM4_OFF		Serial flash of CM4 through system bus
0x5000_0000	0x501F_FFFF	HIF_device	TOP_OFF(N9)		Host interface device controller
0x5020_0000	0x502F_FFFF	HIF_host_CM4	TOP_AON		Host interface host controller of Wi-Fi radio
0x5040_0000	0x5FFF_FFFF	(Undefined)			
0x6000_0000	0x6FFF_FFFF	WIFISYS	TOP_OFF(N9)	0x8000_0100[5]	Wi-Fi subsystem
0x7000_0000	0x70FF_FFFF	PDA DMA port			Patch Decryption Accelerator DMA slave
0x7800_0000	0x7800_FFFF	VFF access port	TOP_OFF(N9)		Virtual FIFO access ports of N9 DMA

Start address	End address	Function	Power Domain	Software Clock gating control	Description
0x7900_0000	0x7900_FFFF	VFF_CM4 access port	CM4_OFF	0x8300_0200[3]	Virtual FIFO access ports of CM4 DMA
0x8000_0000	0x800C_FFFF	APB0	TOP_OFF(N9)		APB bridge 0 (synchronous to N9)
0x8000_0000	0x8000_FFFF	CONFIG	TOP_OFF(N9)		N9 subsystem configuration
0x8001_0000	0x8001_FFFF	DMA	TOP_OFF(N9)		Generic DMA engine for N9
0x8002_0000	0x8002_FFFF	TOP_CFG_OFF	TOP_OFF(N9)		TOP_OFF(N9) power domain chip level configuration (GPIO, PINMUX, RF, CLK control)
0x8003_0000	0x8003_FFFF	UART/BTIF	TOP_OFF(N9)	0x8000_0100[6]	UART or Bluetooth host interface for N9
0x8005_0000	0x8005_FFFF	UART_PTA	TOP_OFF(N9)	0x8000_0100[11]	Inter-chip communication for PTA
0x8008_0000	0x8008_FFFF	AHB_MON	TOP_OFF(N9)	0x8000_0100[10]	AHB bus monitor
0x8009_0000	0x8009_FFFF	ACCLR	TOP_OFF(N9)	0x8000_0100[13]	Bluetooth audio Packet Loss Concealment accelerator
0x800A_0000	0x800A_FFFF	UART_DSN	TOP_OFF(N9)	0x8000_0100[7]	UART for N9 debug
0x800B_0000	0x800B_FFFF	SEC	TOP_OFF(N9)		Security boot configuration
0x800C_0000	0x800C_FFFF	HIF	TOP_OFF(N9)		Host interface configuration
0x8100_0000	0x810C_FFFF	APB1	TOP_OFF(N9)		APB bridge 1 (synchronous to N9)
0x8100_0000	0x8100_FFFF	BTSYS	TOP_OFF(N9)	0x8000_0100[24]	Bluetooth subsystem
0x8102_0000	0x8102_FFFF	TOP_CFG_AON	TOP_AON		TOP_AON power domain chip level configuration (RGU, PINMUX, PLL, PMU, XTAL, CLK control)
0x8103_0000	0x8103_FFFF	DBG_CIRQ	TOP_AON		Debug interrupt controller for N9

Start address	End address	Function	Power Domain	Software Clock gating control	Description
0x8104_0000	0x8104_FFFF	CIRQ	TOP_AON		Interrupt controller for N9
0x8105_8000	0x8105_FFFF	GPT	TOP_AON		General Purpose Timer for N9
0x8106_0000	0x8106_FFFF	PTA	TOP_OFF(N9)	0x8000_0100[14]	Packet Traffic Arbitrator for Wi-Fi/Bluetooth coexistence
0x8107_0000	0x8107_FFFF	EFUSE_MAC	TOP_OFF(N9)	0x8000_0100[12]	Efuse controller
0x8108_0000	0x8108_FFFF	WDT	TOP_AON		Watchdog Timer for N9
0x8109_0000	0x8109_FFFF	PDA	TOP_OFF(N9)		Patch Decryption Accelerator
0x810A_0000	0x810A_FFFF	RDD	TOP_OFF(N9)	0x8000_0100[23]	Wi-Fi debug
0x810B_0000	0x810B_FFFF	BTSBC	TOP_OFF(N9)	0x8000_0100[15]	Bluetooth SBC accelerator
0x810C_0000	0x810C_FFFF	RBIST	TOP_OFF(N9)		RF BIST configuration
0x8300_0000	0x810C_FFFF	APB2	CM4_OFF		APB bridge 1 (synchronous to CM4)
0x8300_0000	0x8300_7FFF	CONFIG_CM4	CM4_OFF		System configuration for CM4
0x8300_8000	0x8300_BFFF	TOP_CFG_AON_CM4	TOP_AON		TOP_AON configuration
0x8300_C000	0x8300_EFFF	CONFIG_CM4_AON	TOP_AON		System configuration for CM4 in TOP_AON domain
0x8300_F000	0x8300_FFFF	SEC_TOP_CM4	CM4_OFF	0x8300_0200[0]	JTAG security for CM4
0x8301_0000	0x8301_FFFF	DMA_CM4	CM4_OFF	0x8300_0200[3]	Generic DMA engine for CM4
0x8302_0000	0x8302_FFFF	UART_DSN	CM4_OFF	0x8300_0200[4]	UART for CM4 debug
0x8303_0000	0x8303_FFFF	UART1	CM4_OFF	0x8300_0200[5]	UART 1 for CM4
0x8304_0000	0x8304_FFFF	UART2	CM4_OFF	0x8300_0200[6]	UART 2 for CM4
0x8305_0000	0x8305_FFFF	GPT_CM4	TOP_AON		General Purpose Timer for CM4
0x8306_0000	0x8306_FFFF	IrDA	CM4_OFF	0x8300_0200[8]	IrDA

Start address	End address	Function	Power Domain	Software Clock gating control	Description
				0x8300_0200[9]	
0x8307_0000	0x8307_FFFF	Serial flash	CM4_OFF	0x8300_0200[10]	Serial flash macro access
0x8308_0000	0x8308_FFFF	WDT_CM4	TOP_AON		Watchdog Timer for CM4
0x8309_0000	0x8309_FFFF	I2C_1	CM4_OFF	0x8300_0200[12] 0x8300_0200[23]	I2C 1
0x830A_0000	0x830A_FFFF	I2C_2	CM4_OFF	0x8300_0200[13] 0x8300_0200[24]	I2C 2
0x830B_0000	0x830B_FFFF	I2S	CM4_OFF	0x8300_0200[14]	I2S configuration
0x830C_0000	0x830C_FFFF	RTC	RTC		Real time clock
0x830D_0000	0x830D_FFFF	AUXADC	CM4_OFF	0x8300_0200[16]	Auxiliary ADC configuration
0x830E_0000	0x830E_FFFF	BTIF	CM4_OFF	0x8300_0200[17]	Host Interface for Bluetooth radio
0x830F_0000	0x830F_FFFF	Crypto	CM4_OFF	0x8300_0200[18]	Crypto engine
0xA000_0000	0xAFFF_FFFF	PSE	CM4_OFF		Packet switch engine memory
0xE000_E000	0xE000_EFFF	NVIC, SYSTICK, FPU	CM4_OFF		Nested vectored interrupt controller System Control Space (SYSTICK) Floating-point unit

2.4.12 SYSRAM_CM4

SYSRAM, the internal SRAM, is mapped on the system bus interface of Cortex M4. M4 can carry out instruction fetches and data accesses to the SYSRAM.

SYSRAM is the internal SRAM that the DMA engine can access. It can be used as a GDMA or VFIFO buffer, the source and the destination of GDMA controller, for memory-to-memory transfer as well the transfer between memory and peripherals.

2.4.13 Crypto engine

2.4.13.1 Features

- Provides two AHB bus master port to read/write sysram data for crypto engine
- Provides one APB bus slave port for CR control
- Supports AES128/AES192/AES256/DES/3DES algorithm (block cipher)
- Supports SHA1/SHA224/SHA256/SHA384/SHA512/MD5 (hash function)

2.4.13.2 Functional Description

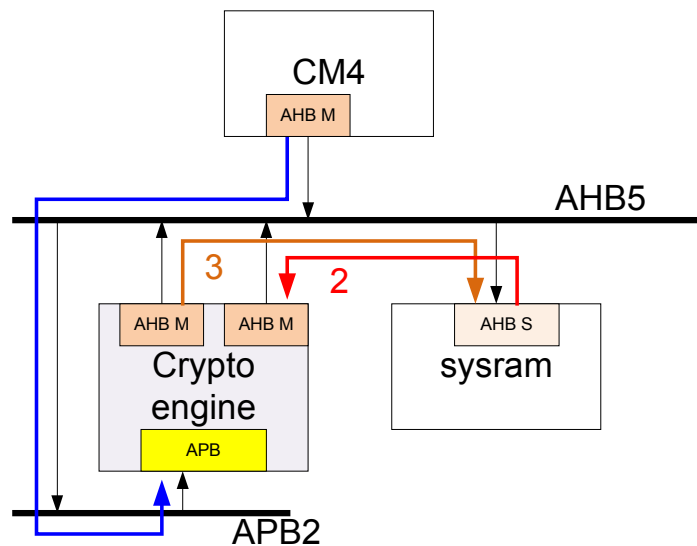


Figure 2-35. Crypto Engine System Diagram

In system view, as shown above in Figure 2-35, the control flow of crypto engine is as follows:

1. CM4 sets the CR of crypto engine through APB interface; the CR contains Key, source/destination memory address, and crypto algorithm.
2. Crypto engine fetches plaintext (ciphertext) from source address into crypto sub function and start Encryption (Decryption).
3. After Encryption (Decryption) is completed, crypto engine stores ciphertext (plaintext) to destination address.

The block diagram of crypto engine is shown here in Figure 2-36. The Crypto Engine supports AES (Advanced Encryption Standard), DES (Data Encryption Standard), and 3DES for block cipher. The Crypto Engine also supports SHA 1(Secure Hash Algorithm)/SHA224/SHA256/SHA384/SHA512/MD5 for hash function.

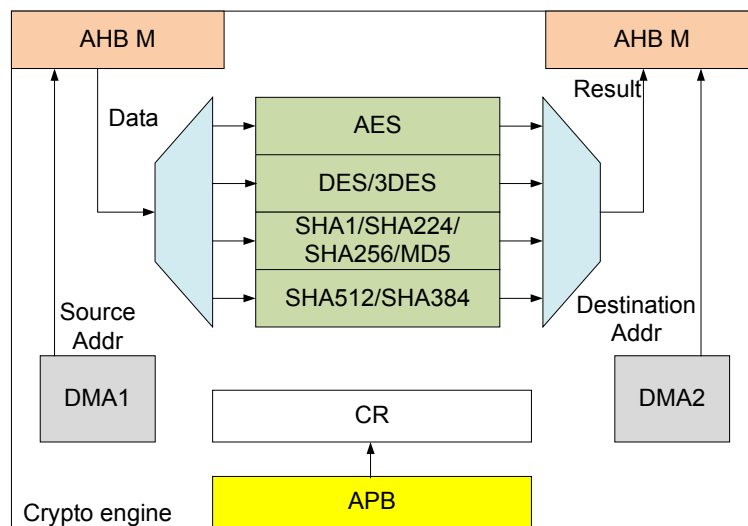


Figure 2-36. Crypto Engine Block Diagram

2.4.13.2.1 AES (Advanced Encryption Standard)

Supports these specifications:

Table 2-27. AES Hardware Specification

AES	ECB	128 bits	Encrypt	Decrypt
		192 bits	Encrypt	Decrypt
		256 bits	Encrypt	Decrypt
	CBC	128 bits	Encrypt	Decrypt
		192 bits	Encrypt	Decrypt
		256 bits	Encrypt	Decrypt

2.4.13.2.2 DES (Data Encryption Standard)

Table 2-28. DES Hardware Specification

Support spec:

DES/3DES	ECB	64 bits(DES)	Encrypt	Decrypt
		192 bits(3DES)	Encrypt	Decrypt
	CBC	64 bits(DES)	Encrypt	Decrypt
		192 bits(3DES)	Encrypt	Decrypt

2.4.13.2.3 SHA Engine (Security Hash Algorithm Engine)

There are two hash engines in the SHA engine. It includes SHA1, SHA224, SHA256, SHA384, SHA512, and MD5.

2.4.13.3 Programming Sequence

Table 2-29. AES128 Programming Sequence

	step	programming sequence	control register
AES128	1	<ul style="list-style-type: none"> - select engine is AES - select key source (sw or efuse) - if key is from effuse, select key1 or 	ENGINE_CTRL

	step	programming sequence	control register
		key2	
	2	- source address - destination address	SOUR_ADR DEST_ADR
	3	- setting data length (data length = 128 bits * n) - Example1: 128 bits, TOTAL_LEN=4 - Example2: 256 bits, TOTAL_LEN=8	TOTAL_LEN
	4	- setting AES key length - setting encryption or decryption - ECB ,CBC or CTR mode	AES_MODE
	5	- if key is from sw, setting KEY	AES_KEY5~AES_KEY8
	6	- unmask NVIC	0xE000E100
	7	- start crypto engine	ENGINE_CTRL

Table 2-30. AES192 Programming Sequence

	step	programming sequence	control register
AES192	1	- select engine is AES - select key source (sw or efuse) - if key is from effuse, select key1 or key2	ENGINE_CTRL
	2	- source address - destination address	SOUR_ADR DEST_ADR
	3	- setting data length (data length = 128 bits * n) - Example1: 128 bits, TOTAL_LEN=4 - Example2: 256 bits, TOTAL_LEN=8	TOTAL_LEN
	4	- setting AES key length	AES_MODE

	step	programming sequence	control register
		<ul style="list-style-type: none"> - setting encryption or decryption - ECB ,CBC or CTR mode 	
	5	- if key is from sw, setting KEY	AES_KEY3~AES_KEY8
	6	- unmask NVIC	0xE000E100
	7	- start crypto engine	ENGINE_CTRL

Table 2-31. AES256 Programming Sequence

	step	programming sequence	control register
AES256	1	<ul style="list-style-type: none"> - select engine is AES - select key source (sw or efuse) - if key is from effuse, select key1 or key2 	ENGINE_CTRL
	2	<ul style="list-style-type: none"> - source address - destination address 	SOUR_ADR DEST_ADR
	3	<ul style="list-style-type: none"> - setting data length (data length = 128 bits * n) - Example1: 128 bits, TOTAL_LEN=4 - Example2: 256 bits, TOTAL_LEN=8 	TOTAL_LEN
	4	<ul style="list-style-type: none"> - setting AES key length - setting encryption or decryption - ECB ,CBC or CTR mode 	AES_MODE
	5	- if key is from sw, setting KEY	AES_KEY1~AES_KEY8
	6	- unmask NVIC	0xE000E100
	7	- start crypto engine	ENGINE_CTRL

Table 2-32. DES Programming Sequence

	step	programming sequence	control register
DES	1	<ul style="list-style-type: none"> - select engine is DES - select key source (sw or efuse) - if key is from effuse, select key1 or key2 	ENGINE_CTRL
	2	<ul style="list-style-type: none"> - source address - destination address 	SOUR_ADR DEST_ADR
	3	<ul style="list-style-type: none"> - setting data length (data length = 128 bits * n) - If data length is only 64 bits, please do padding to make sure data length larger than 128bits, please fill TOTAL_LEN as 4 - Example1: 128 bits, TOTAL_LEN=4 - Example2: 256 bits, TOTAL_LEN=8 	TOTAL_LEN
	4	<ul style="list-style-type: none"> - setting DES key length - setting encryption or decryption - ECB or CBC mode 	DES_MODE
	5	<ul style="list-style-type: none"> - if key is from sw, setting KEY 	DES_KEY5~AES_KEY6
	6	<ul style="list-style-type: none"> - unmask NVIC 	0xE000E100
	7	<ul style="list-style-type: none"> - start crypto engine 	ENGINE_CTRL

Table 2-33. Triple-DES Programming Sequence

	step	programming sequence	control register
Triple-DES	1	<ul style="list-style-type: none"> - select engine is DES - select key source (sw or efuse) - if key is from effuse, select key1 or key2 	ENGINE_CTRL

	step	programming sequence	control register
	2	<ul style="list-style-type: none"> - source address - destination address 	SOUR_ADR DEST_ADR
	3	<ul style="list-style-type: none"> - setting data length (data length = 128 bits * n) - if data is not multiple of 128 bits, please pad to multiple of 128 bits - Example1: 128 bits, TOTAL_LEN=4 - Example2: 256 bits, TOTAL_LEN=8 	TOTAL_LEN
	4	<ul style="list-style-type: none"> - setting DES key length - setting encryption or decryption - ECB or CBC mode 	DES_MODE
	5	<ul style="list-style-type: none"> - if key is from sw, setting KEY 	DES_KEY1~AES_KEY6
	6	<ul style="list-style-type: none"> - unmask NVIC 	0xE000E100
	7	<ul style="list-style-type: none"> - start crypto engine 	ENGINE_CTRL

Table 2-34. SHA256 Programming Sequence

	step	programming sequence	control register
SHA256	1	<ul style="list-style-type: none"> - select engine is SHA256 - select key source (sw or efuse) 	ENGINE_CTRL
	2	<ul style="list-style-type: none"> - source address - destination address 	SOUR_ADR DEST_ADR
	3	<ul style="list-style-type: none"> - setting data length (data length = 128 bits * n) - Example1: 128 bits, TOTAL_LEN=4 - Example2: 256 bits, TOTAL_LEN=8 	TOTAL_LEN
	4	<ul style="list-style-type: none"> - setting initial vector 	SHA256_IV1~SHA512_IV8

	step	programming sequence	control register
	5	- select SHA256 engine (SHA256/SHA224/SHA1/MD5) - setting restart enable (write 1)	SHA256_MODE
	7	- unmask NVIC	0xE000E100
	8	- start crypto engine	ENGINE_CTRL

Table 2-35. SHA224 Programming Sequence

	step	programming sequence	control register
SHA224	1	- select engine is SHA256 - select key source (sw or efuse)	ENGINE_CTRL
	2	- source address - destination address	SOUR_ADR DEST_ADR
	3	- setting data length (data length = 128 bits * n) - Example1: 128 bits, TOTAL_LEN=4 - Example2: 256 bits, TOTAL_LEN=8	TOTAL_LEN
	4	- setting initial vector	SHA256_IV1~SHA512_IV8
	5	- select SHA224 engine (SHA256/SHA224/SHA1/MD5) - setting restart enable (write 1)	SHA256_MODE
	7	- unmask NVIC	0xE000E100
	8	- start crypto engine	ENGINE_CTRL

Table 2-36. SHA1 Programming Sequence

	step	programming sequence	control register
SHA1	1	- select engine is SHA256	ENGINE_CTRL

	step	programming sequence	control register
		- select key source (sw or efuse)	
	2	- source address - destination address	SOUR_ADR DEST_ADR
	3	- setting data length (data length = 128 bits * n) - Example1: 128 bits, TOTAL_LEN=4 - Example2: 256 bits, TOTAL_LEN=8	TOTAL_LEN
	4	- setting initial vector	SHA256_IV1~SHA512_IV8
	5	- select SHA1 engine (SHA256/SHA224/SHA1/MD5) - setting restart enable (write 1)	SHA256_MODE
	7	- unmask NVIC	0xE000E100
	8	- start crypto engine	ENGINE_CTRL

Table 2-37. MD5 Programming Sequence

	step	programming sequence	control register
MD5	1	- select engine is SHA256 - select key source (sw or efuse)	ENGINE_CTRL
	2	- source address - destination address	SOUR_ADR DEST_ADR
	3	- setting data length (data length = 128 bits * n) - Example1: 128 bits, TOTAL_LEN=4 - Example2: 256 bits, TOTAL_LEN=8	TOTAL_LEN
	4	- setting initial vector	SHA256_IV1~SHA512_IV8
	5	- select MD5 engine (SHA256/SHA224/SHA1/MD5) - setting restart enable (write 1)	SHA256_MODE

	step	programming sequence	control register
	7	- unmask NVIC	0xE000E100
	8	- start crypto engine	ENGINE_CTRL

Table 2-38. SHA512 Programming Sequence

	step	programming sequence	control register
SHA512	1	- select engine is SHA512	ENGINE_CTRL
		- select key source (sw or efuse)	
	2	- source address	SOUR_ADR
		- destination address	DEST_ADR
	3	- setting data length (data length = 128 bits * n)	TOTAL_LEN
		- Example1: 128 bits, TOTAL_LEN=4	
		- Example2: 256 bits, TOTAL_LEN=8	
	4	- setting initial vector	SHA512_IV11, SHA512_IV12 ~SHA512_IV81,SHA512_IV82
5	- select SHA512 engine (SHA512/SHA384)	SHA512_MODE	
	- setting restart enable (write 1)		
7	- unmask NVIC	0xE000E100	
8	- start crypto engine	ENGINE_CTRL	

Table 2-39. SHA384 Programming Sequence

	step	programming sequence	control register
SHA384	1	- select engine is SHA512	ENGINE_CTRL
		- select key source (sw or efuse)	
	2	- source address	SOUR_ADR

	step	programming sequence	control register
		- destination address	DEST_ADR
	3	- setting data length (data length = 128 bits * n) - Example1: 128 bits, TOTAL_LEN=4 - Example2: 256 bits, TOTAL_LEN=8	TOTAL_LEN
	4	- setting initial vector	SHA512_IV11, SHA512_IV12 ~SHA512_IV81,SHA512_IV82
	5	- select SHA384 engine (SHA512/SHA384) - setting restart enable (write 1)	SHA512_MODE
	7	- unmask NVIC	0xE000E100
	8	- start crypto engine	ENGINE_CTRL

2.4.13.4 Register Definitions

Module name: mtk_crypto Base address: (+830f0000h)

Address	Name	Width	Register Function
830F0004	<u>ENGINE_CTRL</u>	32	CRYPTO ENGINE CONTROL REGISTER
830F0008	<u>ENGINE_STA</u>	32	CRYPTO ENGINE STATUS REGISTER
830F000C	<u>TOTAL_LEN</u>	32	TOTAL ENCRYPTED DATA LENGTH
830F0010	<u>SOUR_ADR</u>	32	THE START OF SOURCE ADDRESS
830F0020	<u>DEST_ADR</u>	32	THE START OF DESTINATION ADDRESS
830F1000	<u>AES_DATA1</u>	32	ADVANCED ENCRYPTION STANDARD DATA1
830F1010	<u>AES_DATA2</u>	32	ADVANCED ENCRYPTION STANDARD DATA2
830F1020	<u>AES_DATA3</u>	32	ADVANCED ENCRYPTION STANDARD DATA3
830F1030	<u>AES_DATA4</u>	32	ADVANCED ENCRYPTION STANDARD DATA4
830F1040	<u>AES_KEY1</u>	32	ADVANCED ENCRYPTION STANDARD KEY1
830F1050	<u>AES_KEY2</u>	32	ADVANCED ENCRYPTION STANDARD KEY2
830F1060	<u>AES_KEY3</u>	32	ADVANCED ENCRYPTION STANDARD KEY3

Address	Name	Width	Register Function
830F1070	<u>AES_KEY4</u>	32	ADVANCED ENCRYPTION STANDARD KEY4
830F1080	<u>AES_KEY5</u>	32	ADVANCED ENCRYPTION STANDARD KEY5
830F1090	<u>AES_KEY6</u>	32	ADVANCED ENCRYPTION STANDARD KEY6
830F10A0	<u>AES_KEY7</u>	32	ADVANCED ENCRYPTION STANDARD KEY7
830F10B0	<u>AES_KEY8</u>	32	ADVANCED ENCRYPTION STANDARD KEY8
830F10C0	<u>AES_EOD1</u>	32	ADVANCED ENCRYPTION STANDARD EXORSIVE OR DATA1
830F10D0	<u>AES_EOD2</u>	32	ADVANCED ENCRYPTION STANDARD EXORSIVE OR DATA2
830F10E0	<u>AES_EOD3</u>	32	ADVANCED ENCRYPTION STANDARD EXORSIVE OR DATA3
830F10F0	<u>AES_EOD4</u>	32	ADVANCED ENCRYPTION STANDARD EXORSIVE OR DATA4
830F1200	<u>AES_MODE</u>	32	ADVANCED ENCRYPTION STANDARD MODE
830F2000	<u>DES_DATA1</u>	32	DATA ENCRYPTION STANDARD DATA1
830F2010	<u>DES_DATA2</u>	32	DATA ENCRYPTION STANDARD DATA2
830F2040	<u>DES_KEY1</u>	32	DATA ENCRYPTION STANDARD KEY1
830F2050	<u>DES_KEY2</u>	32	DATA ENCRYPTION STANDARD KEY2
830F2060	<u>DES_KEY3</u>	32	DATA ENCRYPTION STANDARD KEY3
830F2070	<u>DES_KEY4</u>	32	DATA ENCRYPTION STANDARD KEY4
830F2080	<u>DES_KEY5</u>	32	DATA ENCRYPTION STANDARD KEY5
830F2090	<u>DES_KEY6</u>	32	DATA ENCRYPTION STANDARD KEY6
830F20C0	<u>DES_IV1</u>	32	DATA ENCRYPTION STANDARD INITIAL VECTOR1
830F20D0	<u>DES_IV2</u>	32	DATA ENCRYPTION STANDARD INITIAL VECTOR2
830F2200	<u>DES_MODE</u>	32	DATA ENCRYPTION STANDARD MODE
830F3200	<u>SHA256_MODE</u>	32	SECURE HASH ALGORITHM 256 MODE
830F3000	<u>SHA256_IV1</u>	32	SECURE HASH ALGORITHM 256 INITIAL VECTOR1
830F3010	<u>SHA256_IV2</u>	32	SECURE HASH ALGORITHM 256 INITIAL VECTOR2
830F3020	<u>SHA256_IV3</u>	32	SECURE HASH ALGORITHM 256 INITIAL VECTOR3
830F3030	<u>SHA256_IV4</u>	32	SECURE HASH ALGORITHM 256 INITIAL VECTOR4
830F3040	<u>SHA256_IV5</u>	32	SECURE HASH ALGORITHM 256 INITIAL VECTOR5
830F3050	<u>SHA256_IV6</u>	32	SECURE HASH ALGORITHM 256 INITIAL VECTOR6
830F3060	<u>SHA256_IV7</u>	32	SECURE HASH ALGORITHM 256 INITIAL VECTOR7
830F3070	<u>SHA256_IV8</u>	32	SECURE HASH ALGORITHM 256 INITIAL VECTOR8

Address	Name	Width	Register Function
830F4200	<u>SHA512_MODE</u>	32	SECURE HASH ALGORITHM 512 MODE
830F4000	<u>SHA512_IV11</u>	32	SECURE HASH ALGORITHM 512 INITIAL VECTOR11
830F4004	<u>SHA512_IV12</u>	32	SECURE HASH ALGORITHM 512 INITIAL VECTOR12
830F4010	<u>SHA512_IV21</u>	32	SECURE HASH ALGORITHM 512 INITIAL VECTOR21
830F4014	<u>SHA512_IV22</u>	32	SECURE HASH ALGORITHM 512 INITIAL VECTOR22
830F4020	<u>SHA512_IV31</u>	32	SECURE HASH ALGORITHM 512 INITIAL VECTOR31
830F4024	<u>SHA512_IV32</u>	32	SECURE HASH ALGORITHM 512 INITIAL VECTOR32
830F4030	<u>SHA512_IV41</u>	32	SECURE HASH ALGORITHM 512 INITIAL VECTOR41
830F4034	<u>SHA512_IV42</u>	32	SECURE HASH ALGORITHM 512 INITIAL VECTOR42
830F4040	<u>SHA512_IV51</u>	32	SECURE HASH ALGORITHM 512 INITIAL VECTOR51
830F4044	<u>SHA512_IV52</u>	32	SECURE HASH ALGORITHM 512 INITIAL VECTOR52
830F4050	<u>SHA512_IV61</u>	32	SECURE HASH ALGORITHM 512 INITIAL VECTOR61
830F4054	<u>SHA512_IV62</u>	32	SECURE HASH ALGORITHM 512 INITIAL VECTOR62
830F4060	<u>SHA512_IV71</u>	32	SECURE HASH ALGORITHM 512 INITIAL VECTOR71
830F4064	<u>SHA512_IV72</u>	32	SECURE HASH ALGORITHM 512 INITIAL VECTOR72
830F4070	<u>SHA512_IV81</u>	32	SECURE HASH ALGORITHM 512 INITIAL VECTOR81
830F4074	<u>SHA512_IV82</u>	32	SECURE HASH ALGORITHM 512 INITIAL VECTOR82
830F8000	<u>DMA1_SRC</u>	32	DMA CHANNEL 1 SOURCE ADDRESS REGISTER
830F8008	<u>DMA1_WPPT</u>	32	DMA CHANNEL 1 WRAP POINT COUNT REGISTER
830F800C	<u>DMA1_WPTO</u>	32	DMA CHANNEL 1 WRAP TO ADDRESS REGISTER
830F8014	<u>DMA1_CON</u>	32	DMA CHANNEL 1 CONTROL REGISTER
830F8024	<u>DMA2_RLCT</u>	32	DMA CHANNEL 1 REMAINING LENGTH OF CURRENT TRANSFER
830F9000	<u>DMA2_DST</u>	32	DMA CHANNEL 2 DESTINATION ADDRESS REGISTER
830F9008	<u>DMA2_WPPT</u>	32	DMA CHANNEL 2 WRAP POINT COUNT REGISTER
830F900C	<u>DMA2_WPTO</u>	32	DMA CHANNEL 2 WRAP TO ADDRESS REGISTER
830F9014	<u>DMA2_CON</u>	32	DMA CHANNEL 2 CONTROL REGISTER
830F9024	<u>DMA2_RLCT</u>	32	DMA CHANNEL 2 REMAINING LENGTH OF CURRENT TRANSFER

830F0004 ENGINE_CTRL
CRYPTO ENGINE CONTROL REGISTER
00000100

Bit	31	30	29	28	27	26	25	24	23	22	21	20	19	18	17	16
Name																
Type																
Reset																
Bit	15	14	13	12	11	10	9	8	7	6	5	4	3	2	1	0
Name							KEY_BANK					START		KEY_MODE	ES	
Type							RW					WO		RW	RW	
Reset							0	1				0		0	0	0

Bit(s)	Name	Description
9:8	KEY_BANK	choose KEY from effuse 01: key_in1 (from eef_top.aes_kek[255:0]) 10: key_in2 (from eef_top.aes_usecret[255:0]) reference document: key_ctl_connection
4	START	0: crypto engine no work 1: crypto engine start to work
2	KEY_MODE	the key source about AES/DES: 0:from effuse 1:sw mode (AES, DES/3DES use)
1:0	ES	Engine select: 00: AES (default) 01: DES/3DES 10:MD5/SHA 11:SHA512

830F0008 ENGINE_STA
CRYPTO ENGINE STATUS REGISTER
00000000

Bit	31	30	29	28	27	26	25	24	23	22	21	20	19	18	17	16
Name																
Type																
Reset																
Bit	15	14	13	12	11	10	9	8	7	6	5	4	3	2	1	0
Name													SHA512_STA	SHA256_STA	DSA	ASTA
Type													RO	RO	RO	RO
Reset													0	0	0	0

Bit(s)	Name	Description
3	SHA512_STA	SHA512 engine work status: 0: hash engine is no work 1: hash engine is busy
2	SHA256_STA	SHA256 engine work status: 0: hash engine is no work 1: hash engine is busy
1	DSTA	DES/3DES engine work status: 0: DES/3DES engine is no work 1: DES/3DES engine is busy
0	ASTA	AES engine work status: 0: AES engine is no work 1: AES engine is busy

830F000C TOTAL_LEN TOTAL ENCRYPTED DATA LENGTH 00000000

Bit	31	30	29	28	27	26	25	24	23	22	21	20	19	18	17	16
Name	LEN															
Type	RW															
Reset	0	0	0	0	0	0	0	0	0	0	0	0	0	0	0	0
Bit	15	14	13	12	11	10	9	8	7	6	5	4	3	2	1	0
Name	LEN															
Type	RW															
Reset	0	0	0	0	0	0	0	0	0	0	0	0	0	0	0	0

Bit(s)	Name	Description
31:0	LEN	The amount of data be encrypted or decrypted. (unit byte, data size = 4*n = LEN4)

830F0010 SOUR_ADR THE START OF SOURCE ADDRESS 00000000

Bit	31	30	29	28	27	26	25	24	23	22	21	20	19	18	17	16
Name	SADDR															
Type	RW															
Reset	0	0	0	0	0	0	0	0	0	0	0	0	0	0	0	0
Bit	15	14	13	12	11	10	9	8	7	6	5	4	3	2	1	0
Name	SADDR															
Type	RW															
Reset	0	0	0	0	0	0	0	0	0	0	0	0	0	0	0	0

Bit(s)	Name	Description
31:0	SADDR	The amount of data be encrypted or decrypted.

830F0020 DEST_ADR
**THE START OF DESTINATION
ADDRESS**
00000000

Bit	31	30	29	28	27	26	25	24	23	22	21	20	19	18	17	16
Name	DADDR															
Type	RW															
Reset	0	0	0	0	0	0	0	0	0	0	0	0	0	0	0	0
Bit	15	14	13	12	11	10	9	8	7	6	5	4	3	2	1	0
Name	DADDR															
Type	RW															
Reset	0	0	0	0	0	0	0	0	0	0	0	0	0	0	0	0

Bit(s)	Name	Description
31:0	DADDR	The amount of data be encrypted or decrypted.

830F1000 AES_DATA1
**ADVANCED ENCRYPTION
STANDARD DATA1**
00000000

Bit	31	30	29	28	27	26	25	24	23	22	21	20	19	18	17	16
Name	DATA1															
Type	RW															
Reset	0	0	0	0	0	0	0	0	0	0	0	0	0	0	0	0
Bit	15	14	13	12	11	10	9	8	7	6	5	4	3	2	1	0
Name	DATA1															
Type	RW															
Reset	0	0	0	0	0	0	0	0	0	0	0	0	0	0	0	0

Bit(s)	Name	Description
31:0	DATA1	want to be encrypted or decrypted data, the most right 32bits

830F1010 AES_DATA2
**ADVANCED ENCRYPTION
STANDARD DATA2**
00000000

Bit	31	30	29	28	27	26	25	24	23	22	21	20	19	18	17	16
Name	DATA2															
Type	RW															
Reset	0	0	0	0	0	0	0	0	0	0	0	0	0	0	0	0
Bit	15	14	13	12	11	10	9	8	7	6	5	4	3	2	1	0
Name	DATA2															

e																
Type	RW															
Reset	0	0	0	0	0	0	0	0	0	0	0	0	0	0	0	0

Bit(s)	Name	Description
31:0	DATA2	want to be encrypted or decrypted data

830F1020 AES DATA3 ADVANCED ENCRYPTION 00000000
STANDARD DATA3

Bit	31	30	29	28	27	26	25	24	23	22	21	20	19	18	17	16
Name	DATA3															
Type	RW															
Reset	0	0	0	0	0	0	0	0	0	0	0	0	0	0	0	0
Bit	15	14	13	12	11	10	9	8	7	6	5	4	3	2	1	0
Name	DATA3															
Type	RW															
Reset	0	0	0	0	0	0	0	0	0	0	0	0	0	0	0	0

Bit(s)	Name	Description
31:0	DATA3	want to be encrypted or decrypted data

830F1030 AES DATA4 ADVANCED ENCRYPTION 00000000
STANDARD DATA4

Bit	31	30	29	28	27	26	25	24	23	22	21	20	19	18	17	16
Name	DATA4															
Type	RW															
Reset	0	0	0	0	0	0	0	0	0	0	0	0	0	0	0	0
Bit	15	14	13	12	11	10	9	8	7	6	5	4	3	2	1	0
Name	DATA4															
Type	RW															
Reset	0	0	0	0	0	0	0	0	0	0	0	0	0	0	0	0

Bit(s)	Name	Description
31:0	DATA4	want to be encrypted or decrypted data

830F1040 AES KEY1 ADVANCED ENCRYPTION 00000000
STANDARD KEY1

Bit	31	30	29	28	27	26	25	24	23	22	21	20	19	18	17	16
Name	KEY1															
Type	RW															
Reset	0	0	0	0	0	0	0	0	0	0	0	0	0	0	0	0
Bit	15	14	13	12	11	10	9	8	7	6	5	4	3	2	1	0
Name	KEY1															
Type	RW															
Reset	0	0	0	0	0	0	0	0	0	0	0	0	0	0	0	0

Bit(s)	Name	Description
31:0	KEY1	the initial key to encrypt or decrypt data

830F1050 AES KEY2 ADVANCED ENCRYPTION 00000000
STANDARD KEY2

Bit	31	30	29	28	27	26	25	24	23	22	21	20	19	18	17	16
Name	KEY2															
Type	RW															
Reset	0	0	0	0	0	0	0	0	0	0	0	0	0	0	0	0
Bit	15	14	13	12	11	10	9	8	7	6	5	4	3	2	1	0
Name	KEY2															
Type	RW															
Reset	0	0	0	0	0	0	0	0	0	0	0	0	0	0	0	0

Bit(s)	Name	Description
31:0	KEY2	the initial key to encrypt or decrypt data

830F1060 AES KEY3 ADVANCED ENCRYPTION 00000000
STANDARD KEY3

Bit	31	30	29	28	27	26	25	24	23	22	21	20	19	18	17	16
Name	KEY3															
Type	RW															
Reset	0	0	0	0	0	0	0	0	0	0	0	0	0	0	0	0
Bit	15	14	13	12	11	10	9	8	7	6	5	4	3	2	1	0
Name	KEY3															
Type	RW															
Reset	0	0	0	0	0	0	0	0	0	0	0	0	0	0	0	0

Bit(s)	Name	Description
31:0	KEY3	the initial key to encrypt or decrypt data

830F1070 AES KEY4 **ADVANCED ENCRYPTION** **00000000**
STANDARD KEY4

Bit	31	30	29	28	27	26	25	24	23	22	21	20	19	18	17	16
Name	KEY4															
Type	RW															
Reset	0	0	0	0	0	0	0	0	0	0	0	0	0	0	0	0
Bit	15	14	13	12	11	10	9	8	7	6	5	4	3	2	1	0
Name	KEY4															
Type	RW															
Reset	0	0	0	0	0	0	0	0	0	0	0	0	0	0	0	0

Bit(s)	Name	Description
31:0	KEY4	the initial key to encrypt or decrypt data

830F1080 AES KEY5 **ADVANCED ENCRYPTION** **00000000**
STANDARD KEY5

Bit	31	30	29	28	27	26	25	24	23	22	21	20	19	18	17	16
Name	KEY5															
Type	RW															
Reset	0	0	0	0	0	0	0	0	0	0	0	0	0	0	0	0
Bit	15	14	13	12	11	10	9	8	7	6	5	4	3	2	1	0
Name	KEY5															
Type	RW															
Reset	0	0	0	0	0	0	0	0	0	0	0	0	0	0	0	0

Bit(s)	Name	Description
31:0	KEY5	the initial key to encrypt or decrypt data

830F1090 AES KEY6 **ADVANCED ENCRYPTION** **00000000**
STANDARD KEY6

Bit	31	30	29	28	27	26	25	24	23	22	21	20	19	18	17	16
Name	KEY6															
Type	RW															
Reset	0	0	0	0	0	0	0	0	0	0	0	0	0	0	0	0

Bit	15	14	13	12	11	10	9	8	7	6	5	4	3	2	1	0
Name	KEY6															
Type	RW															
Reset	0	0	0	0	0	0	0	0	0	0	0	0	0	0	0	0

Bit(s)	Name	Description
31:0	KEY6	the initial key to encrypt or decrypt data

830F10A0 AES KEY7 **ADVANCED ENCRYPTION** **00000000**
STANDARD KEY7

Bit	31	30	29	28	27	26	25	24	23	22	21	20	19	18	17	16
Name	KEY7															
Type	RW															
Reset	0	0	0	0	0	0	0	0	0	0	0	0	0	0	0	0
Bit	15	14	13	12	11	10	9	8	7	6	5	4	3	2	1	0
Name	KEY7															
Type	RW															
Reset	0	0	0	0	0	0	0	0	0	0	0	0	0	0	0	0

Bit(s)	Name	Description
31:0	KEY7	the initial key to encrypt or decrypt data

830F10B0 AES KEY8 **ADVANCED ENCRYPTION** **00000000**
STANDARD KEY8

Bit	31	30	29	28	27	26	25	24	23	22	21	20	19	18	17	16
Name	KEY8															
Type	RW															
Reset	0	0	0	0	0	0	0	0	0	0	0	0	0	0	0	0
Bit	15	14	13	12	11	10	9	8	7	6	5	4	3	2	1	0
Name	KEY8															
Type	RW															
Reset	0	0	0	0	0	0	0	0	0	0	0	0	0	0	0	0

Bit(s)	Name	Description
31:0	KEY8	the initial key to encrypt or decrypt data

830F10Co AES EOD1
**ADVANCED ENCRYPTION
STANDARD EXORSIVE OR DATA1**
00000000

Bit	31	30	29	28	27	26	25	24	23	22	21	20	19	18	17	16
Name	XOR_DATA1															
Type	RW															
Reset	0	0	0	0	0	0	0	0	0	0	0	0	0	0	0	0
Bit	15	14	13	12	11	10	9	8	7	6	5	4	3	2	1	0
Name	XOR_DATA1															
Type	RW															
Reset	0	0	0	0	0	0	0	0	0	0	0	0	0	0	0	0

Bit(s)	Name	Description
31:0	XOR_DATA1	exorsive or data which is used with xoreod or xoro or xori in AES_MODE

830F10Do AES EOD2
**ADVANCED ENCRYPTION
STANDARD EXORSIVE OR DATA2**
00000000

Bit	31	30	29	28	27	26	25	24	23	22	21	20	19	18	17	16
Name	XOR_DATA2															
Type	RW															
Reset	0	0	0	0	0	0	0	0	0	0	0	0	0	0	0	0
Bit	15	14	13	12	11	10	9	8	7	6	5	4	3	2	1	0
Name	XOR_DATA2															
Type	RW															
Reset	0	0	0	0	0	0	0	0	0	0	0	0	0	0	0	0

Bit(s)	Name	Description
31:0	XOR_DATA2	exorsive or data which is used with xoreod or xoro or xori in AES_MODE

830F10Eo AES EOD3
**ADVANCED ENCRYPTION
STANDARD EXORSIVE OR DATA3**
00000000

Bit	31	30	29	28	27	26	25	24	23	22	21	20	19	18	17	16
Name	XOR_DATA3															
Type	RW															
Reset	0	0	0	0	0	0	0	0	0	0	0	0	0	0	0	0
Bit	15	14	13	12	11	10	9	8	7	6	5	4	3	2	1	0
Name	XOR_DATA3															

Type	RW															
Reset	0	0	0	0	0	0	0	0	0	0	0	0	0	0	0	0

Bit(s)	Name	Description
31:0	XOR_DATA3	exorsive or data which is used with xoreod or xoro or xori in AES_MODE

830F10Fo AES_EOD4 **ADVANCED ENCRYPTION** **00000000**
STANDARD EXORSIVE OR DATA4

Bit	31	30	29	28	27	26	25	24	23	22	21	20	19	18	17	16
Name	XOR_DATA4															
Type	RW															
Reset	0	0	0	0	0	0	0	0	0	0	0	0	0	0	0	0
Bit	15	14	13	12	11	10	9	8	7	6	5	4	3	2	1	0
Name	XOR_DATA4															
Type	RW															
Reset	0	0	0	0	0	0	0	0	0	0	0	0	0	0	0	0

Bit(s)	Name	Description
31:0	XOR_DATA4	exorsive or data which is used with xoreod or xoro or xori in AES_MODE

830F1200 AES_MODE **ADVANCED ENCRYPTION** **00000000**
STANDARD MODE

Bit	31	30	29	28	27	26	25	24	23	22	21	20	19	18	17	16
Name																
Type																
Reset																
Bit	15	14	13	12	11	10	9	8	7	6	5	4	3	2	1	0
Name								XO RE OD		UK	XO RD AT	XO RO	XO RI	EN C	KEY_LEN	
Type								RW		RW	RW	RW	RW	RW		RW
Reset								0		0	0	0	0	0	0	0

Bit(s)	Name	Description
8	XOREOD	EOD XOR option. When this bit is set, the AES_EOD is XORed with result after execution
6	UK	Update key option. When this bit is set, the 128-bit result will also be updated to the key.
5	XORDAT	The XOR data source. When this bit is set, the AES_DAT is

Bit(s)	Name	Description
4	XORO	copied to the AES_EOD before operation Output XOR option. When this bit is set, the result is XORed with AES_EOD after operation. After execution, the original AES_DAT is stored to AES_EOD. (CBC mode : for decryption)
3	XORI	Input XOR option. When this bit is set, the data is XORed with AES_EOD before operation. After execution, the result is stored to AES_EOD. (CBC mode : for encryption)
2	ENC	AES encryption or decryption mode. 0: decryption mode 1: encryption mode
1:0	KEY_LEN	The key length of AES operation. Read this bit to get the status; one represents busy. 0: 128 bit 1: 192 bit 2 :256 bit 3 :revised

830F2000 DES DATA1 DATA ENCRYPTION STANDARD 00000000
DATA1

Bit	31	30	29	28	27	26	25	24	23	22	21	20	19	18	17	16
Name	DATA1															
Type	RW															
Reset	0	0	0	0	0	0	0	0	0	0	0	0	0	0	0	0
Bit	15	14	13	12	11	10	9	8	7	6	5	4	3	2	1	0
Name	DATA1															
Type	RW															
Reset	0	0	0	0	0	0	0	0	0	0	0	0	0	0	0	0

Bit(s)	Name	Description
31:0	DATA1	want to be encrypted or decrypted data

830F2010 DES DATA2 DATA ENCRYPTION STANDARD 00000000
DATA2

Bit	31	30	29	28	27	26	25	24	23	22	21	20	19	18	17	16
Name	DATA2															
Type	RW															
Reset	0	0	0	0	0	0	0	0	0	0	0	0	0	0	0	0
Bit	15	14	13	12	11	10	9	8	7	6	5	4	3	2	1	0
Name	DATA2															
Type	RW															
Reset	0	0	0	0	0	0	0	0	0	0	0	0	0	0	0	0

Bit(s)	Name	Description
31:0	DATA2	want to be encrypted or decrypted data

830F2040 DES KEY1 **DATA ENCRYPTION STANDARD** **00000000**
KEY1

Bit	31	30	29	28	27	26	25	24	23	22	21	20	19	18	17	16
Name	KEY1															
Type	RW															
Reset	0	0	0	0	0	0	0	0	0	0	0	0	0	0	0	0
Bit	15	14	13	12	11	10	9	8	7	6	5	4	3	2	1	0
Name	KEY1															
Type	RW															
Reset	0	0	0	0	0	0	0	0	0	0	0	0	0	0	0	0

Bit(s)	Name	Description
31:0	KEY1	the initial key to encrypt or decrypt data

830F2050 DES KEY2 **DATA ENCRYPTION STANDARD** **00000000**
KEY2

Bit	31	30	29	28	27	26	25	24	23	22	21	20	19	18	17	16
Name	KEY2															
Type	RW															
Reset	0	0	0	0	0	0	0	0	0	0	0	0	0	0	0	0
Bit	15	14	13	12	11	10	9	8	7	6	5	4	3	2	1	0
Name	KEY2															
Type	RW															
Reset	0	0	0	0	0	0	0	0	0	0	0	0	0	0	0	0

Bit(s)	Name	Description
31:0	KEY2	the initial key to encrypt or decrypt data

830F2060 DES KEY3 **DATA ENCRYPTION STANDARD** **00000000**
KEY3

Bit	31	30	29	28	27	26	25	24	23	22	21	20	19	18	17	16
Name	KEY3															

Type	RW															
Reset	0	0	0	0	0	0	0	0	0	0	0	0	0	0	0	0
Bit	15	14	13	12	11	10	9	8	7	6	5	4	3	2	1	0
Name	KEY3															
Type	RW															
Reset	0	0	0	0	0	0	0	0	0	0	0	0	0	0	0	0

Bit(s)	Name	Description
31:0	KEY3	the initial key to encrypt or decrypt data

830F2070 DES KEY4 DATA ENCRYPTION STANDARD 00000000 KEY4

Bit	31	30	29	28	27	26	25	24	23	22	21	20	19	18	17	16
Name	KEY4															
Type	RW															
Reset	0	0	0	0	0	0	0	0	0	0	0	0	0	0	0	0
Bit	15	14	13	12	11	10	9	8	7	6	5	4	3	2	1	0
Name	KEY4															
Type	RW															
Reset	0	0	0	0	0	0	0	0	0	0	0	0	0	0	0	0

Bit(s)	Name	Description
31:0	KEY4	the initial key to encrypt or decrypt data

830F2080 DES KEY5 DATA ENCRYPTION STANDARD 00000000 KEY5

Bit	31	30	29	28	27	26	25	24	23	22	21	20	19	18	17	16
Name	KEY5															
Type	RW															
Reset	0	0	0	0	0	0	0	0	0	0	0	0	0	0	0	0
Bit	15	14	13	12	11	10	9	8	7	6	5	4	3	2	1	0
Name	KEY5															
Type	RW															
Reset	0	0	0	0	0	0	0	0	0	0	0	0	0	0	0	0

Bit(s)	Name	Description
31:0	KEY5	the initial key to encrypt or decrypt data

Bit(s)	Name	Description
--------	------	-------------

830F2090 DES KEY6 **DATA ENCRYPTION STANDARD** **00000000**
KEY6

Bit	31	30	29	28	27	26	25	24	23	22	21	20	19	18	17	16
Name	KEY6															
Type	RW															
Reset	0	0	0	0	0	0	0	0	0	0	0	0	0	0	0	0
Bit	15	14	13	12	11	10	9	8	7	6	5	4	3	2	1	0
Name	KEY6															
Type	RW															
Reset	0	0	0	0	0	0	0	0	0	0	0	0	0	0	0	0

Bit(s)	Name	Description
31:0	KEY6	the initial key to encrypt or decrypt data

830F20C0 DES IV1 **DATA ENCRYPTION STANDARD** **00000000**
INITIAL VECTOR1

Bit	31	30	29	28	27	26	25	24	23	22	21	20	19	18	17	16
Name	IV1															
Type	RW															
Reset	0	0	0	0	0	0	0	0	0	0	0	0	0	0	0	0
Bit	15	14	13	12	11	10	9	8	7	6	5	4	3	2	1	0
Name	IV1															
Type	RW															
Reset	0	0	0	0	0	0	0	0	0	0	0	0	0	0	0	0

Bit(s)	Name	Description
31:0	IV1	the initial vector for CBC mode

830F20D0 DES IV2 **DATA ENCRYPTION STANDARD** **00000000**
INITIAL VECTOR2

Bit	31	30	29	28	27	26	25	24	23	22	21	20	19	18	17	16
Name	IV2															
Type	RW															
Reset	0	0	0	0	0	0	0	0	0	0	0	0	0	0	0	0

Bit	15	14	13	12	11	10	9	8	7	6	5	4	3	2	1	0
Name	IV2															
Type	RW															
Reset	0	0	0	0	0	0	0	0	0	0	0	0	0	0	0	0

Bit(s)	Name	Description
31:0	IV2	the initial vector for CBC mode

830F2200 DES MODE DATA ENCRYPTION STANDARD MODE 00000000

Bit	31	30	29	28	27	26	25	24	23	22	21	20	19	18	17	16
Name																
Type																
Reset																
Bit	15	14	13	12	11	10	9	8	7	6	5	4	3	2	1	0
Name													CB C	EN C	KEY_LEN	
Type													RW	RW	RW	
Reset													0	0	0	0

Bit(s)	Name	Description
3	CBC	DES cipher mode 0: EBC mode 1: CBC mode
2	ENC	DES encryption or decryption mode. 0: decryption mode 1: encryption mode
1:0	KEY_LEN	The key length of DES operation. Read this bit to get the status; one represents busy. 0: 64 bit 1: 128 bit 2 :192 bit 3 :revised

830F3200 SHA256 MODE SECURE HASH ALGORITHM 256 MODE 00000000

Bit	31	30	29	28	27	26	25	24	23	22	21	20	19	18	17	16
Name																
Type																
Reset																
Bit	15	14	13	12	11	10	9	8	7	6	5	4	3	2	1	0
Name													RE			TYPE

e																	ST AR T					
Type																	WO				RW	
Reset																	0				0	0

Bit(s)	Name	Description
4	RESTART	If restart crypto_engine 1: yes 0: no
1:0	TYPE	SHA256 or SHA224 or SHA1 or MD5 11: MD5 10: SHA1 01: SHA224 00: SHA256 (default)

830F3000 SHA256 IV1 SECURE HASH ALGORITHM 256 INITIAL VECTOR1 00000000

Bit	31	30	29	28	27	26	25	24	23	22	21	20	19	18	17	16
Name	IV1															
Type	RW															
Reset	0	0	0	0	0	0	0	0	0	0	0	0	0	0	0	0
Bit	15	14	13	12	11	10	9	8	7	6	5	4	3	2	1	0
Name	IV1															
Type	RW															
Reset	0	0	0	0	0	0	0	0	0	0	0	0	0	0	0	0

Bit(s)	Name	Description
31:0	IV1	the initial vector

830F3010 SHA256 IV2 SECURE HASH ALGORITHM 256 INITIAL VECTOR2 00000000

Bit	31	30	29	28	27	26	25	24	23	22	21	20	19	18	17	16
Name	IV2															
Type	RW															
Reset	0	0	0	0	0	0	0	0	0	0	0	0	0	0	0	0
Bit	15	14	13	12	11	10	9	8	7	6	5	4	3	2	1	0
Name	IV2															
Type	RW															
Reset	0	0	0	0	0	0	0	0	0	0	0	0	0	0	0	0

Bit(s)	Name	Description
31:0	IV2	the initial vector

**830F3020 SHA256 IV3 SECURE HASH ALGORITHM 256 00000000
INITIAL VECTOR3**

Bit	31	30	29	28	27	26	25	24	23	22	21	20	19	18	17	16
Name	IV3															
Type	RW															
Reset	0	0	0	0	0	0	0	0	0	0	0	0	0	0	0	0
Bit	15	14	13	12	11	10	9	8	7	6	5	4	3	2	1	0
Name	IV3															
Type	RW															
Reset	0	0	0	0	0	0	0	0	0	0	0	0	0	0	0	0

Bit(s)	Name	Description
31:0	IV3	the initial vector

**830F3030 SHA256 IV4 SECURE HASH ALGORITHM 256 00000000
INITIAL VECTOR4**

Bit	31	30	29	28	27	26	25	24	23	22	21	20	19	18	17	16
Name	IV4															
Type	RW															
Reset	0	0	0	0	0	0	0	0	0	0	0	0	0	0	0	0
Bit	15	14	13	12	11	10	9	8	7	6	5	4	3	2	1	0
Name	IV4															
Type	RW															
Reset	0	0	0	0	0	0	0	0	0	0	0	0	0	0	0	0

Bit(s)	Name	Description
31:0	IV4	the initial vector

**830F3040 SHA256 IV5 SECURE HASH ALGORITHM 256 00000000
INITIAL VECTOR5**

Bit	31	30	29	28	27	26	25	24	23	22	21	20	19	18	17	16
Name	IV5															
Type	RW															
Reset	0	0	0	0	0	0	0	0	0	0	0	0	0	0	0	0

Bit	15	14	13	12	11	10	9	8	7	6	5	4	3	2	1	0
Name	IV5															
Type	RW															
Reset	0	0	0	0	0	0	0	0	0	0	0	0	0	0	0	0

Bit(s)	Name	Description
31:0	IV5	the initial vector

830F3050 SHA256 IV6 SECURE HASH ALGORITHM 256 00000000
INITIAL VECTOR6

Bit	31	30	29	28	27	26	25	24	23	22	21	20	19	18	17	16
Name	IV6															
Type	RW															
Reset	0	0	0	0	0	0	0	0	0	0	0	0	0	0	0	0
Bit	15	14	13	12	11	10	9	8	7	6	5	4	3	2	1	0
Name	IV6															
Type	RW															
Reset	0	0	0	0	0	0	0	0	0	0	0	0	0	0	0	0

Bit(s)	Name	Description
31:0	IV6	the initial vector

830F3060 SHA256 IV7 SECURE HASH ALGORITHM 256 00000000
INITIAL VECTOR7

Bit	31	30	29	28	27	26	25	24	23	22	21	20	19	18	17	16
Name	IV7															
Type	RW															
Reset	0	0	0	0	0	0	0	0	0	0	0	0	0	0	0	0
Bit	15	14	13	12	11	10	9	8	7	6	5	4	3	2	1	0
Name	IV7															
Type	RW															
Reset	0	0	0	0	0	0	0	0	0	0	0	0	0	0	0	0

Bit(s)	Name	Description
31:0	IV7	the initial vector

830F3070 SHA256 IV8

**SECURE HASH ALGORITHM 256
INITIAL VECTORS**

00000000

Bit	31	30	29	28	27	26	25	24	23	22	21	20	19	18	17	16
Name	IV8															
Type	RW															
Reset	0	0	0	0	0	0	0	0	0	0	0	0	0	0	0	0
Bit	15	14	13	12	11	10	9	8	7	6	5	4	3	2	1	0
Name	IV8															
Type	RW															
Reset	0	0	0	0	0	0	0	0	0	0	0	0	0	0	0	0

Bit(s)	Name	Description
31:0	IV8	the initial vector

830F4200 SHA512 MODE

**SECURE HASH ALGORITHM 512
MODE**

00000000

Bit	31	30	29	28	27	26	25	24	23	22	21	20	19	18	17	16
Name																
Type																
Reset																
Bit	15	14	13	12	11	10	9	8	7	6	5	4	3	2	1	0
Name												RE ST AR T				TY PE
Type												WO				RW
Reset												0				0

Bit(s)	Name	Description
4	RESTART	If restart crypto_engine 1: yes 0: no
0	TYPE	SHA512 or SHA384 1: SHA384 0: SHA512 (default)

830F4000 SHA512 IV11

**SECURE HASH ALGORITHM 512
INITIAL VECTOR11**

00000000

Bit	31	30	29	28	27	26	25	24	23	22	21	20	19	18	17	16
Name	IV1_1															
Type	RW															

Reset	0	0	0	0	0	0	0	0	0	0	0	0	0	0	0	0
Bit	15	14	13	12	11	10	9	8	7	6	5	4	3	2	1	0
Name	IV1_1															
Type	RW															
Reset	0	0	0	0	0	0	0	0	0	0	0	0	0	0	0	0

Bit(s)	Name	Description
31:0	IV1_1	the initial vector

**830F4004 SHA512 IV12 SECURE HASH ALGORITHM 512 00000000
INITIAL VECTOR12**

Bit	31	30	29	28	27	26	25	24	23	22	21	20	19	18	17	16
Name	IV12															
Type	RW															
Reset	0	0	0	0	0	0	0	0	0	0	0	0	0	0	0	0
Bit	15	14	13	12	11	10	9	8	7	6	5	4	3	2	1	0
Name	IV12															
Type	RW															
Reset	0	0	0	0	0	0	0	0	0	0	0	0	0	0	0	0

Bit(s)	Name	Description
31:0	IV12	the initial vector

**830F4010 SHA512 IV21 SECURE HASH ALGORITHM 512 00000000
INITIAL VECTOR21**

Bit	31	30	29	28	27	26	25	24	23	22	21	20	19	18	17	16
Name	IV2_1															
Type	RW															
Reset	0	0	0	0	0	0	0	0	0	0	0	0	0	0	0	0
Bit	15	14	13	12	11	10	9	8	7	6	5	4	3	2	1	0
Name	IV2_1															
Type	RW															
Reset	0	0	0	0	0	0	0	0	0	0	0	0	0	0	0	0

Bit(s)	Name	Description
31:0	IV2_1	the initial vector

830F4014 SHA512_IV22
**SECURE HASH ALGORITHM 512
INITIAL VECTOR22**
00000000

Bit	31	30	29	28	27	26	25	24	23	22	21	20	19	18	17	16
Name	IV2_2															
Type	RW															
Reset	0	0	0	0	0	0	0	0	0	0	0	0	0	0	0	0
Bit	15	14	13	12	11	10	9	8	7	6	5	4	3	2	1	0
Name	IV2_2															
Type	RW															
Reset	0	0	0	0	0	0	0	0	0	0	0	0	0	0	0	0

Bit(s)	Name	Description
31:0	IV2_2	the initial vector

830F4020 SHA512_IV31
**SECURE HASH ALGORITHM 512
INITIAL VECTOR31**
00000000

Bit	31	30	29	28	27	26	25	24	23	22	21	20	19	18	17	16
Name	IV3_1															
Type	RW															
Reset	0	0	0	0	0	0	0	0	0	0	0	0	0	0	0	0
Bit	15	14	13	12	11	10	9	8	7	6	5	4	3	2	1	0
Name	IV3_1															
Type	RW															
Reset	0	0	0	0	0	0	0	0	0	0	0	0	0	0	0	0

Bit(s)	Name	Description
31:0	IV3_1	the initial vector

830F4024 SHA512_IV32
**SECURE HASH ALGORITHM 512
INITIAL VECTOR32**
00000000

Bit	31	30	29	28	27	26	25	24	23	22	21	20	19	18	17	16
Name	IV3_2															
Type	RW															
Reset	0	0	0	0	0	0	0	0	0	0	0	0	0	0	0	0
Bit	15	14	13	12	11	10	9	8	7	6	5	4	3	2	1	0
Name	IV3_2															

Type	RW															
Reset	0	0	0	0	0	0	0	0	0	0	0	0	0	0	0	0

Bit(s)	Name	Description
31:0	IV3_2	the initial vector

830F4030 SHA512 IV41 SECURE HASH ALGORITHM 512 00000000
INITIAL VECTOR41

Bit	31	30	29	28	27	26	25	24	23	22	21	20	19	18	17	16
Name	IV4_1															
Type	RW															
Reset	0	0	0	0	0	0	0	0	0	0	0	0	0	0	0	0
Bit	15	14	13	12	11	10	9	8	7	6	5	4	3	2	1	0
Name	IV4_1															
Type	RW															
Reset	0	0	0	0	0	0	0	0	0	0	0	0	0	0	0	0

Bit(s)	Name	Description
31:0	IV4_1	the initial vector

830F4034 SHA512 IV42 SECURE HASH ALGORITHM 512 00000000
INITIAL VECTOR42

Bit	31	30	29	28	27	26	25	24	23	22	21	20	19	18	17	16
Name	IV4_2															
Type	RW															
Reset	0	0	0	0	0	0	0	0	0	0	0	0	0	0	0	0
Bit	15	14	13	12	11	10	9	8	7	6	5	4	3	2	1	0
Name	IV4_2															
Type	RW															
Reset	0	0	0	0	0	0	0	0	0	0	0	0	0	0	0	0

Bit(s)	Name	Description
31:0	IV4_2	the initial vector

830F4040 SHA512 IV51 SECURE HASH ALGORITHM 512 00000000
INITIAL VECTOR51

Bit	31	30	29	28	27	26	25	24	23	22	21	20	19	18	17	16
Name	IV5_1															
Type	RW															
Reset	0	0	0	0	0	0	0	0	0	0	0	0	0	0	0	0
Bit	15	14	13	12	11	10	9	8	7	6	5	4	3	2	1	0
Name	IV5_1															
Type	RW															
Reset	0	0	0	0	0	0	0	0	0	0	0	0	0	0	0	0

Bit(s)	Name	Description
31:0	IV5_1	the initial vector

830F4044 SHA512 IV52 SECURE HASH ALGORITHM 512 00000000
INITIAL VECTOR52

Bit	31	30	29	28	27	26	25	24	23	22	21	20	19	18	17	16
Name	IV5_2															
Type	RW															
Reset	0	0	0	0	0	0	0	0	0	0	0	0	0	0	0	0
Bit	15	14	13	12	11	10	9	8	7	6	5	4	3	2	1	0
Name	IV5_2															
Type	RW															
Reset	0	0	0	0	0	0	0	0	0	0	0	0	0	0	0	0

Bit(s)	Name	Description
31:0	IV5_2	the initial vector

830F4050 SHA512 IV61 SECURE HASH ALGORITHM 512 00000000
INITIAL VECTOR61

Bit	31	30	29	28	27	26	25	24	23	22	21	20	19	18	17	16
Name	IV6_1															
Type	RW															
Reset	0	0	0	0	0	0	0	0	0	0	0	0	0	0	0	0
Bit	15	14	13	12	11	10	9	8	7	6	5	4	3	2	1	0
Name	IV6_1															
Type	RW															
Reset	0	0	0	0	0	0	0	0	0	0	0	0	0	0	0	0

Bit(s)	Name	Description
31:0	IV6_1	the initial vector

830F4054 SHA512 IV62 **SECURE HASH ALGORITHM 512** **00000000**
INITIAL VECTOR62

Bit	31	30	29	28	27	26	25	24	23	22	21	20	19	18	17	16
Name	IV6_2															
Type	RW															
Reset	0	0	0	0	0	0	0	0	0	0	0	0	0	0	0	0
Bit	15	14	13	12	11	10	9	8	7	6	5	4	3	2	1	0
Name	IV6_2															
Type	RW															
Reset	0	0	0	0	0	0	0	0	0	0	0	0	0	0	0	0

Bit(s)	Name	Description
31:0	IV6_2	the initial vector

830F4060 SHA512 IV71 **SECURE HASH ALGORITHM 512** **00000000**
INITIAL VECTOR71

Bit	31	30	29	28	27	26	25	24	23	22	21	20	19	18	17	16
Name	IV7_1															
Type	RW															
Reset	0	0	0	0	0	0	0	0	0	0	0	0	0	0	0	0
Bit	15	14	13	12	11	10	9	8	7	6	5	4	3	2	1	0
Name	IV7_1															
Type	RW															
Reset	0	0	0	0	0	0	0	0	0	0	0	0	0	0	0	0

Bit(s)	Name	Description
31:0	IV7_1	the initial vector

830F4064 SHA512 IV72 **SECURE HASH ALGORITHM 512** **00000000**
INITIAL VECTOR72

Bit	31	30	29	28	27	26	25	24	23	22	21	20	19	18	17	16
Name	IV7_2															
Type	RW															
Reset	0	0	0	0	0	0	0	0	0	0	0	0	0	0	0	0

Bit	15	14	13	12	11	10	9	8	7	6	5	4	3	2	1	0
Name	IV7_2															
Type	RW															
Reset	0	0	0	0	0	0	0	0	0	0	0	0	0	0	0	0

Bit(s)	Name	Description
31:0	IV7_2	the initial vector

830F4070 SHA512 IV81 **SECURE HASH ALGORITHM 512** **00000000**
INITIAL VECTOR81

Bit	31	30	29	28	27	26	25	24	23	22	21	20	19	18	17	16
Name	IV8_1															
Type	RW															
Reset	0	0	0	0	0	0	0	0	0	0	0	0	0	0	0	0
Bit	15	14	13	12	11	10	9	8	7	6	5	4	3	2	1	0
Name	IV8_1															
Type	RW															
Reset	0	0	0	0	0	0	0	0	0	0	0	0	0	0	0	0

Bit(s)	Name	Description
31:0	IV8_1	the initial vector

830F4074 SHA512 IV82 **SECURE HASH ALGORITHM 512** **00000000**
INITIAL VECTOR82

Bit	31	30	29	28	27	26	25	24	23	22	21	20	19	18	17	16
Name	IV8_2															
Type	RW															
Reset	0	0	0	0	0	0	0	0	0	0	0	0	0	0	0	0
Bit	15	14	13	12	11	10	9	8	7	6	5	4	3	2	1	0
Name	IV8_2															
Type	RW															
Reset	0	0	0	0	0	0	0	0	0	0	0	0	0	0	0	0

Bit(s)	Name	Description
31:0	IV8_2	the initial vector

830F8000 DMA1 SRC
**DMA CHANNEL 1 SOURCE
ADDRESS REGISTER**
00000000

Bit	31	30	29	28	27	26	25	24	23	22	21	20	19	18	17	16
Name	SRC[31:0]															
Type	RO															
Reset	0	0	0	0	0	0	0	0	0	0	0	0	0	0	0	0
Bit	15	14	13	12	11	10	9	8	7	6	5	4	3	2	1	0
Name	SRC[31:0]															
Type	RO															
Reset	0	0	0	0	0	0	0	0	0	0	0	0	0	0	0	0

Bit(s)	Name	Description
31:0	SRC[31:0]	the initial vector SRC[31:0] specifies the base or current address of transfer source for a DMA channel N. WRITE : Base address of transfer source READ : Address from which DMA is reading

830F8008 DMA1 WPPT
**DMA CHANNEL 1 WRAP POINT
COUNT REGISTER**
00000000

Bit	31	30	29	28	27	26	25	24	23	22	21	20	19	18	17	16
Name																
Type																
Reset																
Bit	15	14	13	12	11	10	9	8	7	6	5	4	3	2	1	0
Name	WPPT[15:0]															
Type	RW															
Reset	0	0	0	0	0	0	0	0	0	0	0	0	0	0	0	0

Bit(s)	Name	Description
15:0	WPPT[15:0]	WPPT[15:0] specifies the amount of the transfer count from start to jumping point for a DMA channel. WRITE :Address of the jump point. READ :Value set by the programmer.

830F800C DMA1 WPTO
**DMA CHANNEL 1 WRAP TO
ADDRESS REGISTER**
00000000

Bit	31	30	29	28	27	26	25	24	23	22	21	20	19	18	17	16
Name	WPTO[31:0]															
Type	RW															

Reset	0	0	0	0	0	0	0	0	0	0	0	0	0	0	0	0
Bit	15	14	13	12	11	10	9	8	7	6	5	4	3	2	1	0
Name	WPTO[31:0]															
Type	RW															
Reset	0	0	0	0	0	0	0	0	0	0	0	0	0	0	0	0

Bit(s)	Name	Description
31:0	WPTO[31:0]	WPTO[31:0] specifies the address of the jump point for a DMA channel, i.e. channel. WRITE :Address of the jump destination. READ :Value set by the programmer.

830F8014 DMA1 CON

DMA CHANNEL 1 CONTROL REGISTER

0000206

Bit	31	30	29	28	27	26	25	24	23	22	21	20	19	18	17	16
Name														DIR	WPEN	WPSD
Type														RO	RW	RW
Reset														0	0	0
Bit	15	14	13	12	11	10	9	8	7	6	5	4	3	2	1	0
Name						BURST					B2W	DREQ		SINC	SIZE	
Type						RW					RW	RW		RO	RO	
Reset						0	1	0			0	0		1	1	0

Bit(s)	Name	Description
18	DIR	Directions of DMA transfer for half-size and Virtual FIFO DMA channels, i.e. channels 2~7. The direction is from the perspective of the DMA masters. WRITE means read from master device and then write to the address specified in DMA_PGMADDR, and vice versa. 0 Read (read from system RAM and write to device) 1 Write (read from device and write to system RAM)
17	WPEN	Address-wrapping for ring buffer. The next address of DMA jumps to WRAP TO address when the current address matches WRAP POINT count. 0 Disable 1 Enable
16	WPSD	The side using address-wrapping function. Only one side of a DMA channel can activate address-wrapping function at a time. 0 Address-wrapping on source . 1 Address-wrapping on destination.
10:8	BURST	Transfer Type. Burst-type transfers have better bus

Bit(s)	Name	Description
		<p>efficiency. Mass data movement is recommended to use this kind of transfer. However, note that burst-type transfer does not stop until all of the beats in a burst are completed or transfer length is reached. FIFO threshold of peripherals must be configured carefully while being used to move data from/to the peripherals. What transfer type can be used is restricted by the SIZE. If SIZE is 00b, i.e. byte transfer, all of the four transfer types can be used. If SIZE is 01b, i.e. half-word transfer, 16-beat incrementing burst cannot be used. If SIZE is 10b, i.e. word transfer, only single and 4-beat incrementing burst can be used. 000 Single 001 Reserved 010 4-beat incrementing burst (default)</p>
5	B2W	<p>Word to Byte or Byte to Word transfer for the applications of transferring non-word-aligned-address data to word-aligned-address data. Note that BURST is set to 4-beat burst while enabling this function, and the SIZE is set to Byte. NO effect on channel 1 , 9, 10 0 Disable 1 Enable</p>
4	DREQ	<p>Throttle and handshake control for DMA transfer 0 No throttle control during DMA transfer or transfers occurred only between memories 1 Hardware handshake management The DMA master is able to throttle down the transfer rate by way of request-grant handshake.</p>
2	SINC	<p>Incremental source address. Source addresses increase every transfer. If the setting of SIZE is Byte, Source addresses increase by 1 every single transfer. If Half-Word, increase by 2; and if Word, increase by 4. 0 Disable 1 Enable</p>
1:0	SIZE	<p>Data size within the confine of a bus cycle per transfer. These bits confines the data transfer size between source and destination to the specified value for individual bus cycle. The size is in terms of byte and has maximum value of 4 bytes. It is mainly decided by the data width of a DMA master. 00 Byte transfer/1 byte 01 Half-word transfer/2 bytes 10 Word transfer/4 bytes 11 Reserved</p>

830F8024 DMA2 RLCT

**DMA CHANNEL 1 REMAINING
 LENGTH OF CURRENT TRANSFER**

00000000

Bit	31	30	29	28	27	26	25	24	23	22	21	20	19	18	17	16
Name																
Type																
Reset																
Bit	15	14	13	12	11	10	9	8	7	6	5	4	3	2	1	0
Name	RLCT															
Type	RO															
Reset	0	0	0	0	0	0	0	0	0	0	0	0	0	0	0	0

Bit(s)	Name	Description
15:0	RLCT	This register is to reflect the left amount of the transfer.

830F9000 DMA2 DST DMA CHANNEL 2 DESTINATION ADDRESS REGISTER 00000000

Bit	31	30	29	28	27	26	25	24	23	22	21	20	19	18	17	16
Name	DST[31:0]															
Type	RO															
Reset	0	0	0	0	0	0	0	0	0	0	0	0	0	0	0	0
Bit	15	14	13	12	11	10	9	8	7	6	5	4	3	2	1	0
Name	DST[31:0]															
Type	RO															
Reset	0	0	0	0	0	0	0	0	0	0	0	0	0	0	0	0

Bit(s)	Name	Description
31:0	DST[31:0]	DST[31:0] specifies the base or current address of transfer source for a DMA channel N. READ : Address from which DMA is reading

830F9008 DMA2 WPPT DMA CHANNEL 2 WRAP POINT COUNT REGISTER 00000000

Bit	31	30	29	28	27	26	25	24	23	22	21	20	19	18	17	16
Name																
Type																
Reset																
Bit	15	14	13	12	11	10	9	8	7	6	5	4	3	2	1	0
Name	WPPT[15:0]															
Type	RW															

Reset	0	0	0	0	0	0	0	0	0	0	0	0	0	0	0	0
-------	---	---	---	---	---	---	---	---	---	---	---	---	---	---	---	---

Bit(s)	Name	Description
15:0	WPPT[15:0]	WPPT[15:0] specifies the amount of the transfer count from start to jumping point for a DMA channel. WRITE :Address of the jump point. READ :Value set by the programmer.

830F900C DMA2 WPTO **DMA CHANNEL 2 WRAP TO ADDRESS REGISTER** **00000000**

Bit	31	30	29	28	27	26	25	24	23	22	21	20	19	18	17	16
Name	WPTO[31:0]															
Type	RW															
Reset	0	0	0	0	0	0	0	0	0	0	0	0	0	0	0	0
Bit	15	14	13	12	11	10	9	8	7	6	5	4	3	2	1	0
Name	WPTO[31:0]															
Type	RW															
Reset	0	0	0	0	0	0	0	0	0	0	0	0	0	0	0	0

Bit(s)	Name	Description
31:0	WPTO[31:0]	WPTO[31:0] specifies the address of the jump point for a DMA channel, i.e. channel. WRITE :Address of the jump destination. READ :Value set by the programmer.

830F9014 DMA2 CON **DMA CHANNEL 2 CONTROL REGISTER** **00000202**

Bit	31	30	29	28	27	26	25	24	23	22	21	20	19	18	17	16
Name														DIR	WPEN	WPSD
Type														RO	RW	RW
Reset														0	0	0
Bit	15	14	13	12	11	10	9	8	7	6	5	4	3	2	1	0
Name						BURST					B2W	DREQ			SIZE	
Type						RW					RW	RW			RO	
Reset						0	1	0			0	0			1	0

Bit(s)	Name	Description
18	DIR	Directions of DMA transfer for half-size and Virtual FIFO

Bit(s)	Name	Description
		DMA channels, i.e. channels 2~7. The direction is from the perspective of the DMA masters. WRITE means read from master device and then write to the address specified in DMA_PGMADDR, and vice versa. 0 Read (read from system RAM and write to device) 1 Write (read from device and write to system RAM)
17	WPEN	Address-wrapping for ring buffer. The next address of DMA jumps to WRAP TO address when the current address matches WRAP POINT count. 0 Disable 1 Enable
16	WPSD	The side using address-wrapping function. Only one side of a DMA channel can activate address-wrapping function at a time. 0 Address-wrapping on source . 1 Address-wrapping on destination.
10:8	BURST	Transfer Type. Burst-type transfers have better bus efficiency. Mass data movement is recommended to use this kind of transfer. However, note that burst-type transfer does not stop until all of the beats in a burst are completed or transfer length is reached. FIFO threshold of peripherals must be configured carefully while being used to move data from/to the peripherals. What transfer type can be used is restricted by the SIZE. If SIZE is 00b, i.e. byte transfer, all of the four transfer types can be used. If SIZE is 01b, i.e. half-word transfer, 16-beat incrementing burst cannot be used. If SIZE is 10b, i.e. word transfer, only single and 4-beat incrementing burst can be used. 000 Single 001 Reserved 010 4-beat incrementing burst (default)
5	B2W	Word to Byte or Byte to Word transfer for the applications of transferring non-word-aligned-address data to word-aligned-address data. Note that BURST is set to 4-beat burst while enabling this function, and the SIZE is set to Byte. NO effect on channel 1, 9, 10 0 Disable 1 Enable
4	DREQ	Throttle and handshake control for DMA transfer 0 No throttle control during DMA transfer or transfers occurred only between memories 1 Hardware handshake management The DMA master is able to throttle down the transfer rate by way of request-grant handshake.
1:0	SIZE	Data size within the confine of a bus cycle per transfer. These bits confines the data transfer size between source and destination to the specified value for individual bus cycle. The size is in terms of byte

Bit(s)	Name	Description
		and has maximum value of 4 bytes. It is mainly decided by the data width of a DMA master. 00 Byte transfer/1 byte 01 Half-word transfer/2 bytes 10 Word transfer/4 bytes 11 Reserved

830F9024 DMA2 RLCT DMA CHANNEL 2 REMAINING LENGTH OF CURRENT TRANSFER 00000000

Bit	31	30	29	28	27	26	25	24	23	22	21	20	19	18	17	16
Name																
Type																
Reset																
Bit	15	14	13	12	11	10	9	8	7	6	5	4	3	2	1	0
Name	RLCT															
Type	RO															
Reset	0	0	0	0	0	0	0	0	0	0	0	0	0	0	0	0

Bit(s)	Name	Description
15:0	RLCT	This register is to reflect the left amount of the transfer.

2.5 Peripherals

Several peripheral are multiplexed GPIOs. MT76X7 has two dedicated UART interfaces with flow control, one dedicated I2C interface, and one dedicated IrDA interface.

MT76X7 also has the 2nd I2C interface, the SPI slave interface, the I2S interface, and the SPI master interface, but only 2 of the above interfaces can be effective at a time.

The section describes the function of all the peripherals.

2.5.1 GPIO Interface

2.5.1.1 GPIO Function

There are two types of GPIO (General purpose IO) designs in MT76X7: GPIO and AGPIO.

Floating-well design is used in GPIO and AGPIO. It prevents potential leakage problem when the DVDD33 power supply is not enabled but the pin input is pulled up to 3.3V source.

MT76X7 offers GPIO, each with the following configuration options:

- Input / Output mode
- Slew rate control
- Schmitt trigger hysteresis control
- Input mode: Floating (Hi-Z), pull-up, or pull-down
- Output mode: Active driving, or open drain
- Pull up/down control. The pull-up and pull-down resistance is 75KΩ with ±20% variation over PVT condition
- Driving strength: 4mA, 8mA, 12mA, 16mA
- Input and output duty cycle tuning

AGPIO Function Table	
G	E Function
0	0 Analog Function (IO <- -> AIO)
0	1 Analog Function (IO <- -> AIO)
1	0 Digital Function (IO -----> O)
1	1 Digital Function (IO <- -- I) (4 – 16 mA Driving)

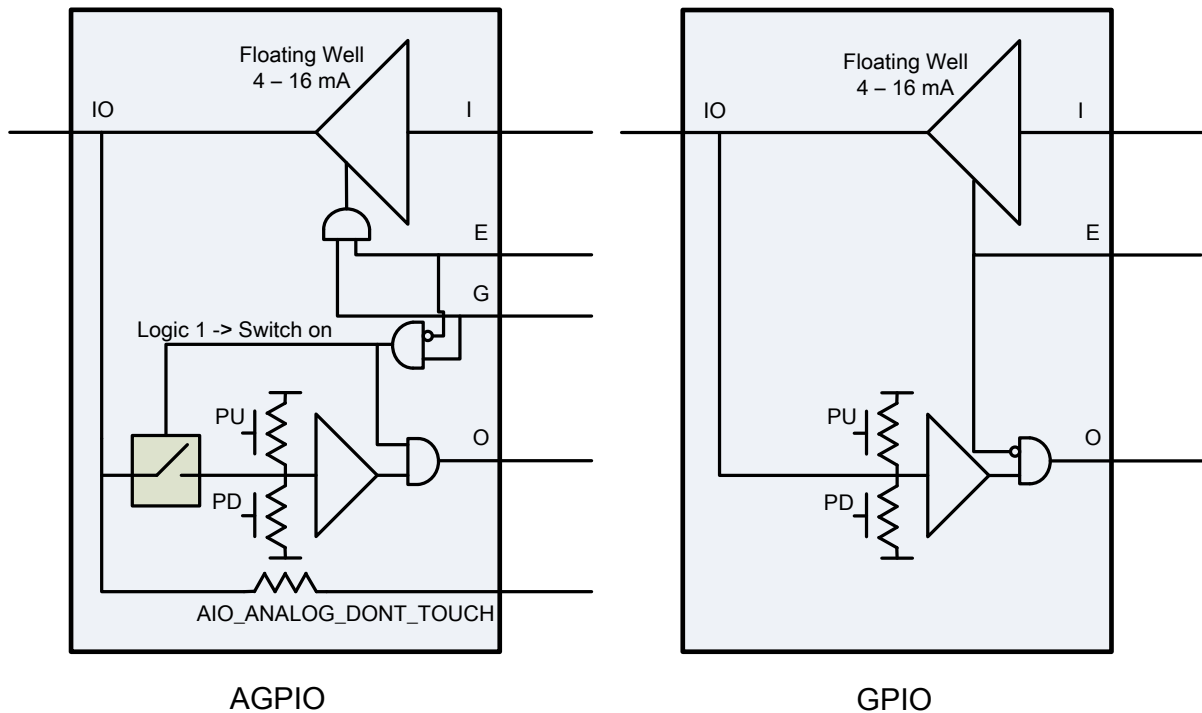


Figure 2-37. AGPIO/GPIO Block Diagram (Left: AGPIO; Right: GPIO)

The digital IO AGPIO function is equivalent to GPIO as shown above. A dedicated internal control signal is used to select between the digital and analog functions. The IOs are multiplexed with 16 channels ADC.

Output Signal Multiplexing

Function-[9:1]-AON and Function-[9:0] can all be output to PINX by setting pinx_pinmux_aon_sel and pinx_pinmux_off_sel, as shown in Figure 2-12 below. Function-[9:1]-AON signals are part of TOP_AON domain and Function-[9:0] signals are part of TOP_OFF (N9) domain. The output of the pad is enabled through E and G pad controls which require 2'b11 for digital output mode.

For a specific pin there could be only a limited number of functions available, these functions are mapped anywhere to the different inputs of the muxes (not always in an incremental scheme).

TOP_AON domain means the circuit is always powered on when PMU supplies the power. TOP_OFF (N9) domain means the N9 related circuit is powered off in some scenarios when PMU supplies the power.

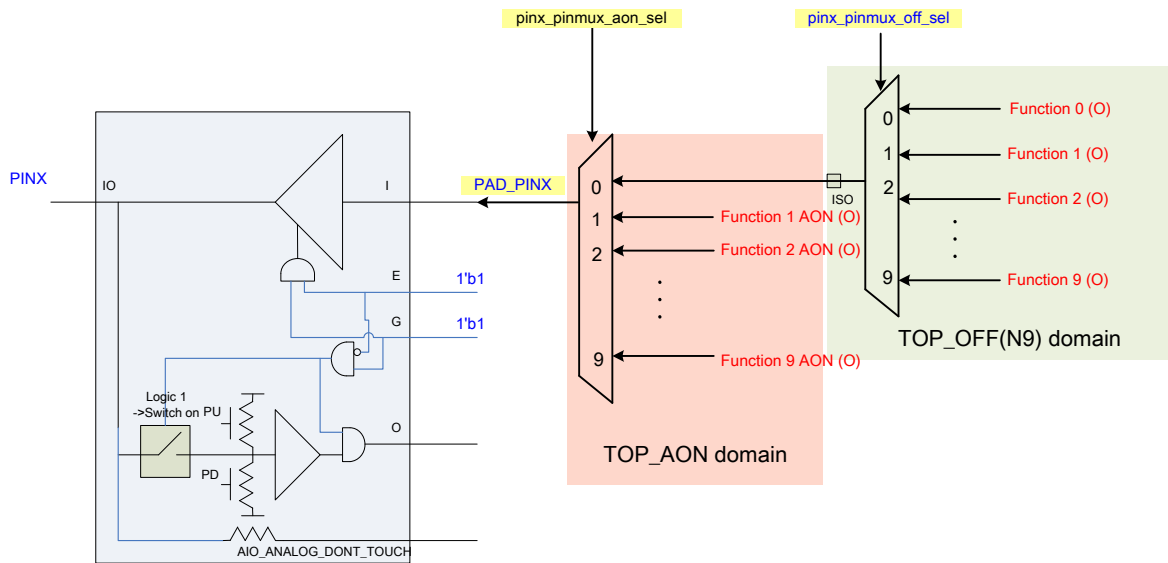


Figure 2-38. AGPIO Configured as Output Multiplexing

Input Signal Multiplexing

Figure 2-39 below shows that PINX is the source of Function-AON-0, while PINX and PINY can both be the input source for Function-1. The (E, G) setting for both IO is 2'b01 for digital input mode.

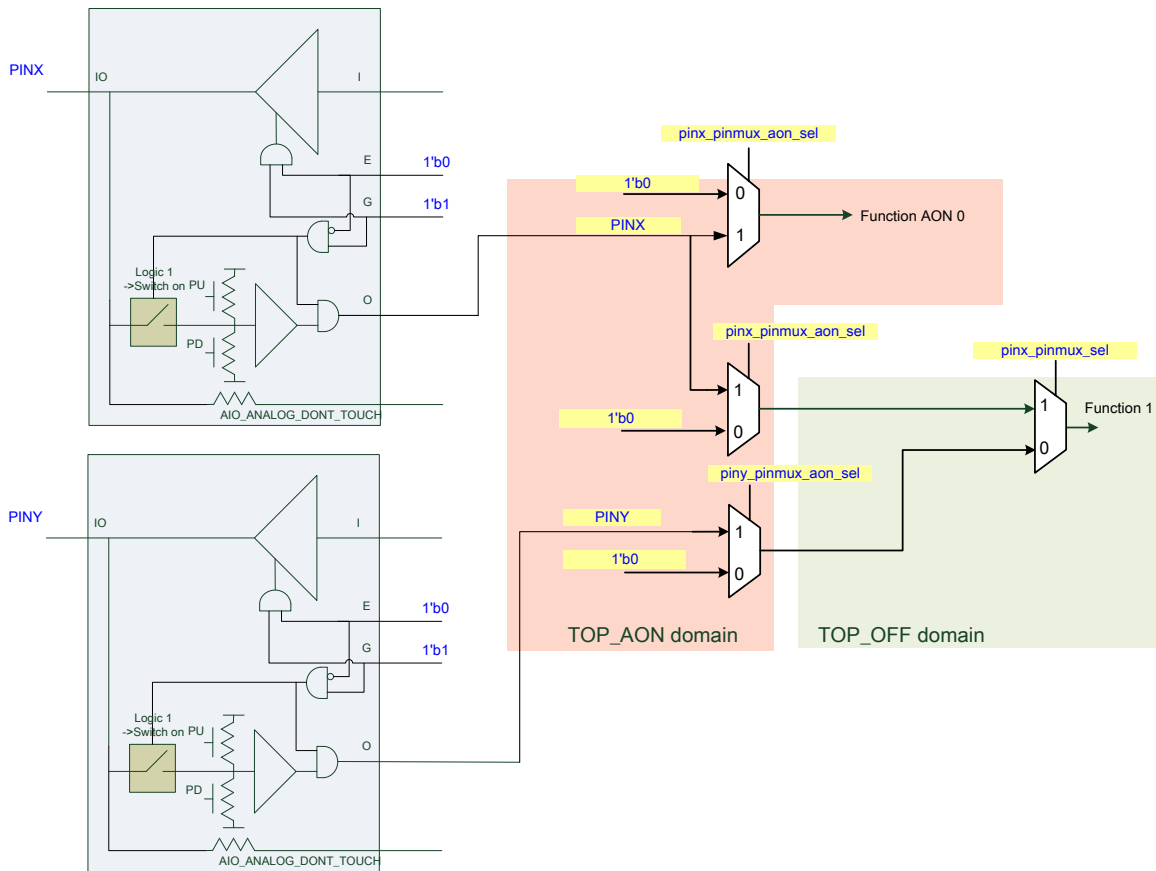


Figure 2-39. AGPIO Configured as Input Multiplexing

Input / Output / Analog Signal Multiplexing

This figure below shows how function-0, function-1 and Analog-function share the same IO (PINX) by configuring (E, G) pair internally. G is controlled in off domain.

Table 2-40. Functional Description of AGPIO

(G,E) value	2'b11	2'b10	2'b0x
Function	PINX=Function-0 (output mode)	Function-1=PINX (input mode)	Analog-function=PINX (analog mode)

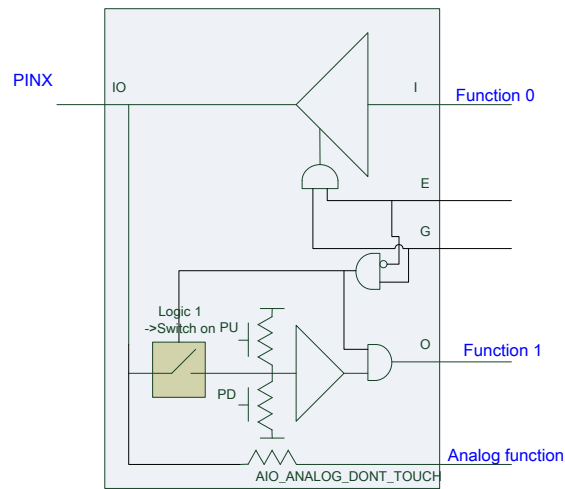


Figure 2-40. AGPIO Configured as Input, Output, or Analog Mode

Open Drain Mode

The GPIO can be configured as open drain mode by assigning I=1'b0, G=1'b1 and E=Function-0.

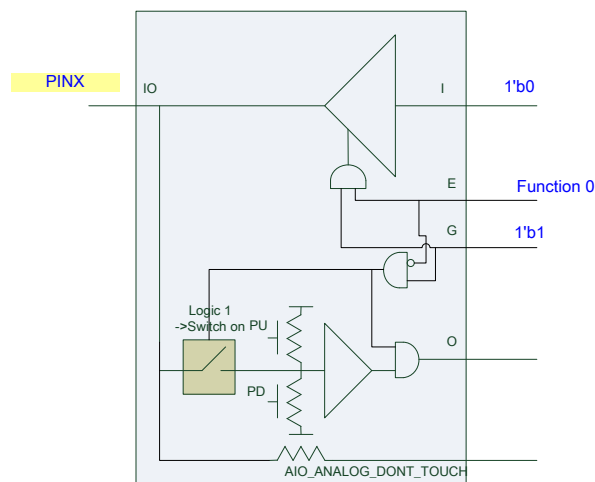


Figure 2-41. GPIO Configured as Open Drain Mode

2.5.1.2 Register Definitions

Module name: CM4_GPIO Base address: (+8300b00h)

Address	Name	Width	Register Function
8300B000	<u>GPIO_PU1</u>	32	PAD Pull-UP Control Register 1
8300B004	<u>GPIO_PU1_SET</u>	32	PAD Pull-UP SET Control Register 1
8300B008	<u>GPIO_PU1_RESET</u>	32	PAD Pull-UP RESET Control Register 1
8300B010	<u>GPIO_PU2</u>	32	PAD Pull-UP Control Register 2
8300B014	<u>GPIO_PU2_SET</u>	32	PAD Pull-UP SET Control Register 2

Address	Name	Width	Register Function
8300B018	<u>GPIO PU2 RESET</u>	32	PAD Pull-UP RESET Control Register 2
8300B020	<u>GPIO PU3</u>	32	PAD Pull-UP Control Register 3
8300B024	<u>GPIO PU3 SET</u>	32	PAD Pull-UP SET Control Register 3
8300B028	<u>GPIO PU3 RESET</u>	32	PAD Pull-UP RESET Control Register 3
8300B030	<u>GPIO PD1</u>	32	PAD Pull-DOWN Control Register 1
8300B034	<u>GPIO PD1 SET</u>	32	PAD Pull-DOWN SET Control Register 1
8300B038	<u>GPIO PD1 RESET</u>	32	PAD Pull-DOWN RESET Control Register 1
8300B040	<u>GPIO PD2</u>	32	PAD Pull-DOWN Control Register 2
8300B044	<u>GPIO PD2 SET</u>	32	PAD Pull-DOWN SET Control Register 2
8300B048	<u>GPIO PD2 RESET</u>	32	PAD Pull-DOWN RESET Control Register 2
8300B050	<u>GPIO PD3</u>	32	PAD Pull-DOWN Control Register 3
8300B054	<u>GPIO PD3 SET</u>	32	PAD Pull-DOWN SET Control Register 3
8300B058	<u>GPIO PD3 RESET</u>	32	PAD Pull-DOWN RESET Control Register 3
8300B060	<u>GPIO DOUT1</u>	32	PAD GPO DATA Output Control Register 1
8300B064	<u>GPIO DOUT1 SET</u>	32	PAD GPO DATA Output Control Set Register 1
8300B068	<u>GPIO DOUT1 RESET</u>	32	PAD GPO DATA Output Control Reset Register 1
8300B070	<u>GPIO DOUT2</u>	32	PAD GPO DATA Output Control Register 2
8300B074	<u>GPIO DOUT2 SET</u>	32	PAD GPO DATA Output Control Set Register 2
8300B078	<u>GPIO DOUT2 RESET</u>	32	PAD GPO DATA Output Control Reset Register 2
8300B080	<u>GPIO DOUT3</u>	32	PAD GPO DATA Output Control Register 3
8300B084	<u>GPIO DOUT3 SET</u>	32	PAD GPO DATA Output Control Set Register 3
8300B088	<u>GPIO DOUT3 RESET</u>	32	PAD GPO DATA Output Control Reset Register 3
8300B090	<u>GPIO OE1</u>	32	PAD GPO Output Enable Control Register 1
8300B094	<u>GPIO OE1 SET</u>	32	PAD GPO Output Enable Set Control Register 1
8300B098	<u>GPIO OE1 RESET</u>	32	PAD GPO Output Enable Reset Control Register 1
8300BoA0	<u>GPIO OE2</u>	32	PAD GPO Output Enable Control Register 2
8300BoA4	<u>GPIO OE2 SET</u>	32	PAD GPO Output Enable Set Control Register2
8300BoA8	<u>GPIO OE2 RESET</u>	32	PAD GPO Output Enable Reset Control Register 2
8300BoBo	<u>GPIO OE3</u>	32	PAD GPO Output Enable Control Register 2
8300BoB4	<u>GPIO OE3 SET</u>	32	PAD GPO Output Enable Set Control Register2
8300BoB8	<u>GPIO OE3 RESET</u>	32	PAD GPO Output Enable Reset Control Register 2
8300BoCo	<u>GPIO DIN1</u>	32	PAD GPI Input Data Control Register 1
8300BoC4	<u>GPIO DIN2</u>	32	PAD GPI Input Data Control Register 2

Address	Name	Width	Register Function
8300B0C8	<u>GPIO DIN3</u>	32	PAD GPI Input Data Control Register 3
8300B0D0	<u>PADDRV1</u>	32	PAD Driving Control Register1
8300B0D4	<u>PADDRV2</u>	32	PAD Driving Control Register2
8300B0D8	<u>PADDRV3</u>	32	PAD Driving Control Register3
8300B0DC	<u>PADDRV4</u>	32	PAD Driving Control Register4
8300B0E0	<u>PADDRV5</u>	32	PAD Driving Control Register5
8300B0F0	<u>PADCTRL1</u>	32	PAD Control Register1
8300B0F4	<u>PADCTRL2</u>	32	PAD Control Register2
8300B100	<u>PAD GPIO IES0</u>	32	GPIO PAD IES Control Register 0
8300B104	<u>PAD GPIO IES1</u>	32	GPIO PAD IES Control Register 1
8300B108	<u>PAD GPIO IES2</u>	32	GPIO PAD IES Control Register 2

8300B000 GPIO_PU1 PAD Pull-UP Control Register 1 00000000

Bit	31	30	29	28	27	26	25	24	23	22	21	20	19	18	17	16
Name						CLK_REQ_N_PU	WAKE_N_PU	PERST_N_PU	IN_UARTo_TXD_PU	IN_GPIO22_PU	IN_GPIO21_PU	IN_GPIO20_PU	IN_GPIO19_PU	IN_GPIO18_PU	IN_GPIO17_PU	IN_GPIO16_PU
Type						RW	RW	RW	RW	RW	RW	RW	RW	RW	RW	RW
Reset						0	0	0	0	0	0	0	0	0	0	0
Bit	15	14	13	12	11	10	9	8	7	6	5	4	3	2	1	0
Name	IN_GPIO15_PU	IN_GPIO14_PU	IN_GPIO13_PU	IN_GPIO12_PU	IN_GPIO11_PU	IN_GPIO10_PU	IN_GPIO9_PU	IN_GPIO8_PU	AN_TS_EL7_PU	AN_TS_EL6_PU	AN_TS_EL5_PU	AN_TS_EL4_PU	AN_TS_EL3_PU	AN_TS_EL2_PU	AN_TS_EL1_PU	AN_TS_EL0_PU
Type	RW	RW	RW	RW	RW	RW	RW	RW	RW	RW	RW	RW	RW	RW	RW	RW
Reset	0	0	0	0	0	0	0	0	0	0	0	0	0	0	0	0

Bit(s)	Mnemonic	Name	Description
26	CLK_REQ_N_PU	CLK_REQ_N_PU	PAD CLK_REQ_N pull-up control register 1: pull-up 0: no pull-up
25	WAKE_N_PU	WAKE_N_PU	PAD WAKE_N pull-up control register 1: pull-up 0: no pull-up
24	PERST_N_PU	PERST_N_PU	PAD PERST_N pull-up control register 1: pull-up 0: no pull-up
23	IN_UARTo_TXD_PU	IN_UARTo_TXD_PU	PAD IN_UARTo_TXD pull-up control register 1: pull-up 0: no pull-up
22	IN_GPIO22_PU	IN_GPIO22_PU	PAD IN_GPIO22 pull-up control register

Bit(s)	Mnemonic	Name	Description
21	IN_GPIO21_PU	IN_GPIO21_PU	1: pull-up 0: no pull-up PAD IN_GPIO21 pull-up control register
20	IN_GPIO20_PU	IN_GPIO20_PU	1: pull-up 0: no pull-up PAD IN_GPIO20 pull-up control register
19	IN_GPIO19_PU	IN_GPIO19_PU	1: pull-up 0: no pull-up PAD IN_GPIO19 pull-up control register
18	IN_GPIO18_PU	IN_GPIO18_PU	1: pull-up 0: no pull-up PAD IN_GPIO18 pull-up control register
17	IN_GPIO17_PU	IN_GPIO17_PU	1: pull-up 0: no pull-up PAD IN_GPIO17 pull-up control register
16	IN_GPIO16_PU	IN_GPIO16_PU	1: pull-up 0: no pull-up PAD IN_GPIO16 pull-up control register
15	IN_GPIO15_PU	IN_GPIO15_PU	1: pull-up 0: no pull-up PAD IN_GPIO15 pull-up control register
14	IN_GPIO14_PU	IN_GPIO14_PU	1: pull-up 0: no pull-up PAD IN_GPIO14 pull-up control register
13	IN_GPIO13_PU	IN_GPIO13_PU	1: pull-up 0: no pull-up PAD IN_GPIO13 pull-up control register
12	IN_GPIO12_PU	IN_GPIO12_PU	1: pull-up 0: no pull-up PAD IN_GPIO12 pull-up control register
11	IN_GPIO11_PU	IN_GPIO11_PU	1: pull-up 0: no pull-up PAD IN_GPIO11 pull-up control register
10	IN_GPIO10_PU	IN_GPIO10_PU	1: pull-up 0: no pull-up PAD IN_GPIO10 pull-up control register
9	IN_GPIO9_PU	IN_GPIO9_PU	1: pull-up 0: no pull-up PAD IN_GPIO9 pull-up control register
8	IN_GPIO8_PU	IN_GPIO8_PU	1: pull-up 0: no pull-up PAD IN_GPIO8 pull-up control register
7	ANTSEL7_PU	ANTSEL7_PU	1: pull-up 0: no pull-up PAD ANTSEL7 pull-up control register
6	ANTSEL6_PU	ANTSEL6_PU	1: pull-up 0: no pull-up PAD ANTSEL6 pull-up control register
5	ANTSEL5_PU	ANTSEL5_PU	1: pull-up 0: no pull-up PAD ANTSEL5 pull-up control register
4	ANTSEL4_PU	ANTSEL4_PU	1: pull-up 0: no pull-up PAD ANTSEL4 pull-up control register
3	ANTSEL3_PU	ANTSEL3_PU	1: pull-up 0: no pull-up PAD ANTSEL3 pull-up control register
2	ANTSEL2_PU	ANTSEL2_PU	1: pull-up 0: no pull-up PAD ANTSEL2 pull-up control register

Bit(s)	Mnemonic	Name	Description
1	ANTSEL1_PU	ANTSEL1_PU	1: pull-up 0: no pull-up PAD ANTSEL1 pull-up control register
0	ANTSELo_PU	ANTSELo_PU	1: pull-up 0: no pull-up PAD ANTSELo pull-up control register

8300B004 GPIO_PU1_SET PAD Pull-UP SET Control Register 1 00000000

Bit	31	30	29	28	27	26	25	24	23	22	21	20	19	18	17	16
Name	GPIO_PU1_SET															
Type	RW															
Reset	0	0	0	0	0	0	0	0	0	0	0	0	0	0	0	0
Bit	15	14	13	12	11	10	9	8	7	6	5	4	3	2	1	0
Name	GPIO_PU1_SET															
Type	RW															
Reset	0	0	0	0	0	0	0	0	0	0	0	0	0	0	0	0

Bit(s)	Mnemonic	Name	Description
31:0	GPIO_PU1_SET	GPIO_PU1_SET	Write '1' to SET pull-up. The pull-up PAD is corresponding to GPIO_PU1 Read always return '0'

8300B008 GPIO_PU1_RESET PAD Pull-UP RESET Control Register 1 00000000

Bit	31	30	29	28	27	26	25	24	23	22	21	20	19	18	17	16
Name	GPIO_PU1_RESET															
Type	RW															
Reset	0	0	0	0	0	0	0	0	0	0	0	0	0	0	0	0
Bit	15	14	13	12	11	10	9	8	7	6	5	4	3	2	1	0
Name	GPIO_PU1_RESET															
Type	RW															
Reset	0	0	0	0	0	0	0	0	0	0	0	0	0	0	0	0

Bit(s)	Mnemonic	Name	Description
31:0	GPIO_PU1_RESET	GPIO_PU1_RESET	Write '1' to RESET pull-up. The pull-up PAD is corresponding to GPIO_PU1 Read always return '0'

8300B010 GPIO_PU2 PAD Pull-UP Control Register 2 00000000

Bit	31	30	29	28	27	26	25	24	23	22	21	20	19	18	17	16
Name	IN_A DC6_PU	IN_A DC5_PU	IN_A DC4_PU	BT_L ED_B_PU	WF_L ED_B_PU	BT_R F_DIS_B_PU	WF_R F_DIS_B_PU	IN_P W_M7_PU	IN_P W_M6_PU	IN_P W_M5_PU	IN_P W_M4_PU	IN_P W_M3_PU	IN_P W_M2_PU	IN_G PIO54_PU	IN_G PIO53_PU	IN_G PIO52_PU
Type	RW	RW	RW	RW	RW	RW	RW	RW	RW	RW	RW	RW	RW	RW	RW	RW
Reset	0	0	0	0	0	0	0	0	0	0	0	0	0	0	0	0
Bit	15	14	13	12	11	10	9	8	7	6	5	4	3	2	1	0
Name	IN_G PIO51_PU	IN_G PIO50_PU	IN_G PIO49_PU	IN_G PIO48_PU	IN_G PIO47_PU	IN_G PIO46_PU	IN_G PIO45_PU	IN_G PIO44_PU	UA_RT C_TS_PU	UA_RT R_TS_PU	UA_RT T_X_PU	UA_RT R_X_PU	UA_RT D_BG_PU	GPI_O1 P_U	GPI_O0 P_U	
Type	RW	RW	RW	RW	RW	RW	RW	RW	RW	RW	RW	RW	RW	RW	RW	
Reset	0	0	0	0	0	0	0	0	0	0	0	0	0	0	0	

Bit(s)	Mnemonic	Name	Description
31	IN_ADC6_PU	IN_ADC6_PU	PAD IN_ADC6 pull-up control register 1: pull-up 0: no pull-up
30	IN_ADC5_PU	IN_ADC5_PU	PAD IN_ADC5 pull-up control register 1: pull-up 0: no pull-up
29	IN_ADC4_PU	IN_ADC4_PU	PAD IN_ADC4 pull-up control register 1: pull-up 0: no pull-up
28	BT_LED_B_PU	BT_LED_B_PU	PAD BT_LED_B pull-up control register 1: pull-up 0: no pull-up
27	WF_LED_B_PU	WF_LED_B_PU	PAD WF_LED_B pull-up control register 1: pull-up 0: no pull-up
26	BT_RF_DIS_B_PU	BT_RF_DIS_B_PU	PAD BT_RF_DIS_B pull-up control register 1: pull-up 0: no pull-up
25	WF_RF_DIS_B_PU	WF_RF_DIS_B_PU	PAD WF_RF_DIS_B pull-up control register 1: pull-up 0: no pull-up
24	IN_PWM7_PU	IN_PWM7_PU	PAD IN_PWM7 pull-up control register 1: pull-up 0: no pull-up
23	IN_PWM6_PU	IN_PWM6_PU	PAD IN_PWM6 pull-up control register 1: pull-up 0: no pull-up
22	IN_PWM5_PU	IN_PWM5_PU	PAD IN_PWM5 pull-up control register 1: pull-up 0: no pull-up
21	IN_PWM4_PU	IN_PWM4_PU	PAD IN_PWM4 pull-up control register 1: pull-up 0: no pull-up
20	IN_PWM3_PU	IN_PWM3_PU	PAD IN_PWM3 pull-up control register

Bit(s)	Mnemonic	Name	Description
19	IN_PWM2_PU	IN_PWM2_PU	1: pull-up 0: no pull-up PAD IN_PWM2 pull-up control register
18	IN_GPIO54_PU	IN_GPIO54_PU	1: pull-up 0: no pull-up PAD IN_GPIO54 pull-up control register
17	IN_GPIO53_PU	IN_GPIO53_PU	1: pull-up 0: no pull-up PAD IN_GPIO53 pull-up control register
16	IN_GPIO52_PU	IN_GPIO52_PU	1: pull-up 0: no pull-up PAD IN_GPIO52 pull-up control register
15	IN_GPIO51_PU	IN_GPIO51_PU	1: pull-up 0: no pull-up PAD IN_GPIO51 pull-up control register
14	IN_GPIO50_PU	IN_GPIO50_PU	1: pull-up 0: no pull-up PAD IN_GPIO50 pull-up control register
13	IN_GPIO49_PU	IN_GPIO49_PU	1: pull-up 0: no pull-up PAD IN_GPIO49 pull-up control register
12	IN_GPIO48_PU	IN_GPIO48_PU	1: pull-up 0: no pull-up PAD IN_GPIO48 pull-up control register
11	IN_GPIO47_PU	IN_GPIO47_PU	1: pull-up 0: no pull-up PAD IN_GPIO47 pull-up control register
10	IN_GPIO46_PU	IN_GPIO46_PU	1: pull-up 0: no pull-up PAD IN_GPIO46 pull-up control register
9	IN_GPIO45_PU	IN_GPIO45_PU	1: pull-up 0: no pull-up PAD IN_GPIO45 pull-up control register
8	IN_GPIO44_PU	IN_GPIO44_PU	1: pull-up 0: no pull-up PAD IN_GPIO44 pull-up control register
7	UART_CTS_PU	UART_CTS_PU	1: pull-up 0: no pull-up PAD UART_CTS pull-up control register
6	UART_RTS_PU	UART_RTS_PU	1: pull-up 0: no pull-up PAD UART_RTS pull-up control register
5	UART_TX_PU	UART_TX_PU	1: pull-up 0: no pull-up PAD UART_TX pull-up control register
4	UART_RX_PU	UART_RX_PU	1: pull-up 0: no pull-up PAD UART_RX pull-up control register
3	UART_DBG_PU	UART_DBG_PU	1: pull-up 0: no pull-up PAD UART_DBG pull-up control register
2	GPIO1_PU	GPIO1_PU	1: pull-up 0: no pull-up PAD GPIO1 pull-up control register
1	GPIO0_PU	GPIO0_PU	1: pull-up 0: no pull-up PAD GPIO0 pull-up control register

Bit(s)	Mnemonic	Name	Description
--------	----------	------	-------------

8300B014 GPIO_PU2_SET **PAD Pull-UP SET Control Register 2** **00000000**

Bit	31	30	29	28	27	26	25	24	23	22	21	20	19	18	17	16
Name	GPIO_PU1_SET															
Type	RW															
Reset	0	0	0	0	0	0	0	0	0	0	0	0	0	0	0	0
Bit	15	14	13	12	11	10	9	8	7	6	5	4	3	2	1	0
Name	GPIO_PU1_SET															
Type	RW															
Reset	0	0	0	0	0	0	0	0	0	0	0	0	0	0	0	0

Bit(s)	Mnemonic	Name	Description
31:0	GPIO_PU1_SET	GPIO_PU1_SET	Write '1' to SET pull-up. The pull-up PAD is corresponding to GPIO_PU1 Read always return '0'

8300B018 GPIO_PU2_RESET **PAD Pull-UP RESET Control Register 2** **00000000**

Bit	31	30	29	28	27	26	25	24	23	22	21	20	19	18	17	16
Name	GPIO_PU1_RESET															
Type	RW															
Reset	0	0	0	0	0	0	0	0	0	0	0	0	0	0	0	0
Bit	15	14	13	12	11	10	9	8	7	6	5	4	3	2	1	0
Name	GPIO_PU1_RESET															
Type	RW															
Reset	0	0	0	0	0	0	0	0	0	0	0	0	0	0	0	0

Bit(s)	Mnemonic	Name	Description
31:0	GPIO_PU1_RESET	GPIO_PU1_RESET	Write '1' to RESET pull-up. The pull-up PAD is corresponding to GPIO_PU1 Read always return '0'

8300B020 GPIO_PU3 **PAD Pull-UP Control Register 3** **00000000**

Bit	31	30	29	28	27	26	25	24	23	22	21	20	19	18	17	16
Name																

Type																
Reset																
Bit	15	14	13	12	11	10	9	8	7	6	5	4	3	2	1	0
Name	IN_HSPI_N_PU	SIP_D3_PU	SIP_D2_PU	SIP_D1_PU	SIP_Do_PU	SIP_CS_PU	SIP_CK_PU	IN_ADC15_PU	IN_ADC14_PU	IN_ADC13_PU	IN_ADC12_PU	IN_ADC11_PU	IN_ADC10_PU	IN_ADC9_PU	IN_ADC8_PU	IN_ADC7_PU
Type	RW	RW	RW	RW	RW	RW	RW	RW	RW	RW	RW	RW	RW	RW	RW	RW
Reset	0	0	0	0	0	0	0	0	0	0	0	0	0	0	0	0

Bit(s)	Mnemonic	Name	Description
15	IN_HSPIN_PU	IN_HSPIN_PU	PAD IN_HSPIN pull-up control register 1: pull-up 0: no pull-up
14	SIP_D3_PU	SIP_D3_PU	PAD SIP_D3 pull-up control register 1: pull-up 0: no pull-up
13	SIP_D2_PU	SIP_D2_PU	PAD SIP_D2 pull-up control register 1: pull-up 0: no pull-up
12	SIP_D1_PU	SIP_D1_PU	PAD SIP_D1 pull-up control register 1: pull-up 0: no pull-up
11	SIP_Do_PU	SIP_Do_PU	PAD SIP_Do pull-up control register 1: pull-up 0: no pull-up
10	SIP_CS_PU	SIP_CS_PU	PAD SIP_CS pull-up control register 1: pull-up 0: no pull-up
9	SIP_CK_PU	SIP_CK_PU	PAD SIP_CK pull-up control register 1: pull-up 0: no pull-up
8	IN_ADC15_PU	IN_ADC15_PU	PAD IN_ADC15 pull-up control register 1: pull-up 0: no pull-up
7	IN_ADC14_PU	IN_ADC14_PU	PAD IN_ADC14 pull-up control register 1: pull-up 0: no pull-up
6	IN_ADC13_PU	IN_ADC13_PU	PAD IN_ADC13 pull-up control register 1: pull-up 0: no pull-up
5	IN_ADC12_PU	IN_ADC12_PU	PAD IN_ADC12 pull-up control register 1: pull-up 0: no pull-up
4	IN_ADC11_PU	IN_ADC11_PU	PAD IN_ADC11 pull-up control register 1: pull-up 0: no pull-up
3	IN_ADC10_PU	IN_ADC10_PU	PAD IN_ADC10 pull-up control register 1: pull-up 0: no pull-up
2	IN_ADC9_PU	IN_ADC9_PU	PAD IN_ADC9 pull-up control register 1: pull-up 0: no pull-up
1	IN_ADC8_PU	IN_ADC8_PU	PAD IN_ADC8 pull-up control register 1: pull-up 0: no pull-up
0	IN_ADC7_PU	IN_ADC7_PU	PAD IN_ADC7 pull-up control register

Bit(s)	Mnemonic	Name	Description
			1: pull-up 0: no pull-up

8300B024 GPIO_PU3_SET PAD Pull-UP SET Control Register 00000000
3

Bit	31	30	29	28	27	26	25	24	23	22	21	20	19	18	17	16
Name																
Type																
Reset																
Bit	15	14	13	12	11	10	9	8	7	6	5	4	3	2	1	0
Name								GPIO_PU3_SET								
Type								RW								
Reset								0	0	0	0	0	0	0	0	0

Bit(s)	Mnemonic	Name	Description
8:0	GPIO_PU3_SET	GPIO_PU3_SET	Write '1' to SET pull-up. The pull-up PAD is corresponding to GPIO_PU3 Read always return '0'

8300B028 GPIO_PU3_RESET PAD Pull-UP RESET Control Register 3 00000000

Bit	31	30	29	28	27	26	25	24	23	22	21	20	19	18	17	16
Name																
Type																
Reset																
Bit	15	14	13	12	11	10	9	8	7	6	5	4	3	2	1	0
Name								GPIO_PU3_RESET								
Type								RW								
Reset								0	0	0	0	0	0	0	0	0

Bit(s)	Mnemonic	Name	Description
8:0	GPIO_PU3_RESET	GPIO_PU3_RESET	Write '1' to RESET pull-up. The pull-up PAD is corresponding to GPIO_PU3 Read always return '0'

8300B030 GPIO_PD1 PAD Pull-DOWN Control Register 1 00000000

Bit	31	30	29	28	27	26	25	24	23	22	21	20	19	18	17	16
Name						CLK_REQ_N_PD	WAKE_N_PD	PERST_N_PD	IN_UARTo_TXD_PD	IN_GPIO22_PD	IN_GPIO21_PD	IN_GPIO20_PD	IN_GPIO19_PD	IN_GPIO18_PD	IN_GPIO17_PD	IN_GPIO16_PD
Type						RW	RW	RW	RW	RW	RW	RW	RW	RW	RW	RW
Reset						0	0	0	0	0	0	0	0	0	0	0
Bit	15	14	13	12	11	10	9	8	7	6	5	4	3	2	1	0
Name	IN_GPIO15_PD	IN_GPIO14_PD	IN_GPIO13_PD	IN_GPIO12_PD	IN_GPIO11_PD	IN_GPIO10_PD	IN_GPIO9_PD	IN_GPIO8_PD	AN_TS_EL7_PD	AN_TS_EL6_PD	AN_TS_EL5_PD	AN_TS_EL4_PD	AN_TS_EL3_PD	AN_TS_EL2_PD	AN_TS_EL1_PD	AN_TS_EL0_PD
Type	RW	RW	RW	RW	RW	RW	RW	RW	RW	RW	RW	RW	RW	RW	RW	RW
Reset	0	0	0	0	0	0	0	0	0	0	0	0	0	0	0	0

Bit(s)	Mnemonic	Name	Description
26	CLK_REQ_N_PD	CLK_REQ_N_PD	PAD CLK_REQ_N pull-down control register 1: pull-down 0: no pull-down
25	WAKE_N_PD	WAKE_N_PD	PAD WAKE_N pull-down control register 1: pull-down 0: no pull-down
24	PERST_N_PD	PERST_N_PD	PAD PERST_N pull-down control register 1: pull-down 0: no pull-down
23	IN_UARTo_TXD_PD	IN_UARTo_TXD_PD	PAD IN_UARTo_TXD pull-down control register 1: pull-down 0: no pull-down
22	IN_GPIO22_PD	IN_GPIO22_PD	PAD IN_GPIO22 pull-down control register 1: pull-down 0: no pull-down
21	IN_GPIO21_PD	IN_GPIO21_PD	PAD IN_GPIO21 pull-down control register 1: pull-down 0: no pull-down
20	IN_GPIO20_PD	IN_GPIO20_PD	PAD IN_GPIO20 pull-down control register 1: pull-down 0: no pull-down
19	IN_GPIO19_PD	IN_GPIO19_PD	PAD IN_GPIO19 pull-down control register 1: pull-down 0: no pull-down
18	IN_GPIO18_PD	IN_GPIO18_PD	PAD IN_GPIO18 pull-down control register 1: pull-down 0: no pull-down
17	IN_GPIO17_PD	IN_GPIO17_PD	PAD IN_GPIO17 pull-down control register 1: pull-down 0: no pull-down
16	IN_GPIO16_PD	IN_GPIO16_PD	PAD IN_GPIO16 pull-down control register 1: pull-down 0: no pull-down
15	IN_GPIO15_PD	IN_GPIO15_PD	PAD IN_GPIO15 pull-down control register 1: pull-down 0: no pull-down

Bit(s)	Mnemonic	Name	Description
14	IN_GPIO14_PD	IN_GPIO14_PD	PAD IN_GPIO14 pull-down control register 1: pull-down 0: no pull-down
13	IN_GPIO13_PD	IN_GPIO13_PD	PAD IN_GPIO13 pull-down control register 1: pull-down 0: no pull-down
12	IN_GPIO12_PD	IN_GPIO12_PD	PAD IN_GPIO12 pull-down control register 1: pull-down 0: no pull-down
11	IN_GPIO11_PD	IN_GPIO11_PD	PAD IN_GPIO11 pull-down control register 1: pull-down 0: no pull-down
10	IN_GPIO10_PD	IN_GPIO10_PD	PAD IN_GPIO10 pull-down control register 1: pull-down 0: no pull-down
9	IN_GPIO9_PD	IN_GPIO9_PD	PAD IN_GPIO9 pull-down control register 1: pull-down 0: no pull-down
8	IN_GPIO8_PD	IN_GPIO8_PD	PAD IN_GPIO8 pull-down control register 1: pull-down 0: no pull-down
7	ANTSEL7_PD	ANTSEL7_PD	PAD ANTSEL7 pull-down control register 1: pull-down 0: no pull-down
6	ANTSEL6_PD	ANTSEL6_PD	PAD ANTSEL6 pull-down control register 1: pull-down 0: no pull-down
5	ANTSEL5_PD	ANTSEL5_PD	PAD ANTSEL5 pull-down control register 1: pull-down 0: no pull-down
4	ANTSEL4_PD	ANTSEL4_PD	PAD ANTSEL4 pull-down control register 1: pull-down 0: no pull-down
3	ANTSEL3_PD	ANTSEL3_PD	PAD ANTSEL3 pull-down control register 1: pull-down 0: no pull-down
2	ANTSEL2_PD	ANTSEL2_PD	PAD ANTSEL2 pull-down control register 1: pull-down 0: no pull-down
1	ANTSEL1_PD	ANTSEL1_PD	PAD ANTSEL1 pull-down control register 1: pull-down 0: no pull-down
0	ANTSEL0_PD	ANTSEL0_PD	PAD ANTSEL0 pull-down control register 1: pull-down 0: no pull-down

8300B034 GPIO_PD1_SET PAD Pull-DOWN SET Control 00000000
Register 1

Bit	31	30	29	28	27	26	25	24	23	22	21	20	19	18	17	16
Name	GPIO_PD1_SET															
Type	RW															
Reset	0	0	0	0	0	0	0	0	0	0	0	0	0	0	0	0
Bit	15	14	13	12	11	10	9	8	7	6	5	4	3	2	1	0
Name	GPIO_PD1_SET															

e																
Type	RW															
Reset	0	0	0	0	0	0	0	0	0	0	0	0	0	0	0	0

Bit(s)	Mnemonic	Name	Description
31:0	GPIO_PD1_SET	GPIO_PD1_SET	Write '1' to SET pull-down. The pull-down PAD is corresponding to GPIO_PD1 Read always return '0'

8300B038 GPIO_PD1 RESET PAD Pull-DOWN RESET Control Register 1 00000000

Bit	31	30	29	28	27	26	25	24	23	22	21	20	19	18	17	16
Name	GPIO_PD1_RESET															
Type	RW															
Reset	0	0	0	0	0	0	0	0	0	0	0	0	0	0	0	0
Bit	15	14	13	12	11	10	9	8	7	6	5	4	3	2	1	0
Name	GPIO_PD1_RESET															
Type	RW															
Reset	0	0	0	0	0	0	0	0	0	0	0	0	0	0	0	0

Bit(s)	Mnemonic	Name	Description
31:0	GPIO_PD1_RESET	GPIO_PD1_RESET	Write '1' to RESET pull-down. The pull-down PAD is corresponding to GPIO_PD1 Read always return '0'

8300B040 GPIO_PD2 PAD Pull-DOWN Control Register 2 00000000

Bit	31	30	29	28	27	26	25	24	23	22	21	20	19	18	17	16
Name	IN_A DC 6_PD	IN_A DC 5_PD	IN_A DC 4_PD	BT_L ED_B_P D	WF_L ED_B_P D	BT_R F_DIS_B_P D	WF_R F_DIS_B_P D	IN_P W M7_P D	IN_P W M6_P D	IN_P W M5_P D	IN_P W M4_P D	IN_P W M3_P D	IN_P W M2_P D	IN_G PIO 54_PD	IN_G PIO 53_PD	IN_G PIO 52_PD
Type	RW	RW	RW	RW	RW	RW	RW	RW	RW	RW	RW	RW	RW	RW	RW	RW
Reset	0	0	0	0	0	0	0	0	0	0	0	0	0	0	0	0
Bit	15	14	13	12	11	10	9	8	7	6	5	4	3	2	1	0
Name	IN_G PIO 51_PD	IN_G PIO 50_PD	IN_G PIO 49_PD	IN_G PIO 48_PD	IN_G PIO 47_PD	IN_G PIO 46_PD	IN_G PIO 45_PD	IN_G PIO 44_PD	UA_RT_C TS_P D	UA_RT_R TS_P D	UA_RT_T X_PD	UA_RT_R X_PD	UA_RT_D BG_P D	GPI O1_P D	GPI O0_P D	
Type	RW	RW	RW	RW	RW	RW	RW	RW	RW	RW	RW	RW	RW	RW	RW	
Reset	0	0	0	0	0	0	0	0	0	0	0	0	0	0	0	

Bit(s)	Mnemonic	Name	Description
31	IN_ADC6_PD	IN_ADC6_PD	PAD IN_ADC6 pull-down control register 1: pull-down 0: no pull-down
30	IN_ADC5_PD	IN_ADC5_PD	PAD IN_ADC5 pull-down control register 1: pull-down 0: no pull-down
29	IN_ADC4_PD	IN_ADC4_PD	PAD IN_ADC4 pull-down control register 1: pull-down 0: no pull-down
28	BT_LED_B_PD	BT_LED_B_PD	PAD BT_LED_B pull-down control register 1: pull-down 0: no pull-down
27	WF_LED_B_PD	WF_LED_B_PD	PAD WF_LED_B pull-down control register 1: pull-down 0: no pull-down
26	BT_RF_DIS_B_PD	BT_RF_DIS_B_PD	PAD BT_RF_DIS_B pull-down control register 1: pull-down 0: no pull-down
25	WF_RF_DIS_B_PD	WF_RF_DIS_B_PD	PAD WF_RF_DIS_B pull-down control register 1: pull-down 0: no pull-down
24	IN_PWM7_PD	IN_PWM7_PD	PAD IN_PWM7 pull-down control register 1: pull-down 0: no pull-down
23	IN_PWM6_PD	IN_PWM6_PD	PAD IN_PWM6 pull-down control register 1: pull-down 0: no pull-down
22	IN_PWM5_PD	IN_PWM5_PD	PAD IN_PWM5 pull-down control register 1: pull-down 0: no pull-down
21	IN_PWM4_PD	IN_PWM4_PD	PAD IN_PWM4 pull-down control register 1: pull-down 0: no pull-down
20	IN_PWM3_PD	IN_PWM3_PD	PAD IN_PWM3 pull-down control register 1: pull-down 0: no pull-down
19	IN_PWM2_PD	IN_PWM2_PD	PAD IN_PWM2 pull-down control register 1: pull-down 0: no pull-down
18	IN_GPIO54_PD	IN_GPIO54_PD	PAD IN_GPIO54 pull-down control register 1: pull-down 0: no pull-down
17	IN_GPIO53_PD	IN_GPIO53_PD	PAD IN_GPIO53 pull-down control register 1: pull-down 0: no pull-down
16	IN_GPIO52_PD	IN_GPIO52_PD	PAD IN_GPIO52 pull-down control register 1: pull-down 0: no pull-down
15	IN_GPIO51_PD	IN_GPIO51_PD	PAD IN_GPIO51 pull-down control register 1: pull-down 0: no pull-down
14	IN_GPIO50_PD	IN_GPIO50_PD	PAD IN_GPIO50 pull-down control register 1: pull-down 0: no pull-down
13	IN_GPIO49_PD	IN_GPIO49_PD	PAD IN_GPIO49 pull-down control register 1: pull-down 0: no pull-down

Bit(s)	Mnemonic	Name	Description
12	IN_GPIO48_PD	IN_GPIO48_PD	PAD IN_GPIO48 pull-down control register 1: pull-down 0: no pull-down
11	IN_GPIO47_PD	IN_GPIO47_PD	PAD IN_GPIO47 pull-down control register 1: pull-down 0: no pull-down
10	IN_GPIO46_PD	IN_GPIO46_PD	PAD IN_GPIO46 pull-down control register 1: pull-down 0: no pull-down
9	IN_GPIO45_PD	IN_GPIO45_PD	PAD IN_GPIO45 pull-down control register 1: pull-down 0: no pull-down
8	IN_GPIO44_PD	IN_GPIO44_PD	PAD IN_GPIO44 pull-down control register 1: pull-down 0: no pull-down
7	UART_CTS_PD	UART_CTS_PD	PAD UART_CTS pull-down control register 1: pull-down 0: no pull-down
6	UART_RTS_PD	UART_RTS_PD	PAD UART_RTS pull-down control register 1: pull-down 0: no pull-down
5	UART_TX_PD	UART_TX_PD	PAD UART_TX pull-down control register 1: pull-down 0: no pull-down
4	UART_RX_PD	UART_RX_PD	PAD UART_RX pull-down control register 1: pull-down 0: no pull-down
3	UART_DBG_PD	UART_DBG_PD	PAD UART_DBG pull-down control register 1: pull-down 0: no pull-down
2	GPIO1_PD	GPIO1_PD	PAD GPIO1 pull-down control register 1: pull-down 0: no pull-down
1	GPIO0_PD	GPIO0_PD	PAD GPIO0 pull-down control register 1: pull-down 0: no pull-down

8300B044 GPIO_PD2_SET PAD Pull-DOWN SET Control 00000000
Register 2

Bit	31	30	29	28	27	26	25	24	23	22	21	20	19	18	17	16
Name	GPIO_PD2_SET															
Type	RW															
Reset	0	0	0	0	0	0	0	0	0	0	0	0	0	0	0	0
Bit	15	14	13	12	11	10	9	8	7	6	5	4	3	2	1	0
Name	GPIO_PD2_SET															
Type	RW															
Reset	0	0	0	0	0	0	0	0	0	0	0	0	0	0	0	0

Bit(s)	Mnemonic	Name	Description
31:0	GPIO_PD2_SET	GPIO_PD2_SET	Write '1' to SET pull-down. The pull-down PAD

Bit(s)	Mnemonic	Name	Description
			is corresponding to GPIO_PD2 Read always return '0'

8300B048 GPIO_PD2_RESET PAD Pull-DOWN RESET Control Register 2 00000000

Bit	31	30	29	28	27	26	25	24	23	22	21	20	19	18	17	16
Name	GPIO_PD2_RESET															
Type	RW															
Reset	0	0	0	0	0	0	0	0	0	0	0	0	0	0	0	0
Bit	15	14	13	12	11	10	9	8	7	6	5	4	3	2	1	0
Name	GPIO_PD2_RESET															
Type	RW															
Reset	0	0	0	0	0	0	0	0	0	0	0	0	0	0	0	0

Bit(s)	Mnemonic	Name	Description
31:0	GPIO_PD2_RESET	GPIO_PD2_RESET	Write '1' to RESET pull-down. The pull-down PAD is corresponding to GPIO_PD2 Read always return '0'

8300B050 GPIO_PD3 PAD Pull-DOWN Control Register 3 00000000

Bit	31	30	29	28	27	26	25	24	23	22	21	20	19	18	17	16
Name																
Type																
Reset																
Bit	15	14	13	12	11	10	9	8	7	6	5	4	3	2	1	0
Name	IN_HSPI_N_PD	SIP_D3_PD	SIP_D2_PD	SIP_D1_PD	SIP_D0_PD	SIP_C_S_PD	SIP_C_K_PD	IN_A_DC15_PD	IN_A_DC14_PD	IN_A_DC13_PD	IN_A_DC12_PD	IN_A_DC11_PD	IN_A_DC10_PD	IN_A_DC9_PD	IN_A_DC8_PD	IN_A_DC7_PD
Type	RW	RW	RW	RW	RW	RW	RW	RW	RW	RW	RW	RW	RW	RW	RW	RW
Reset	0	0	0	0	0	0	0	0	0	0	0	0	0	0	0	0

Bit(s)	Mnemonic	Name	Description
15	IN_HSPIN_PD	IN_HSPIN_PD	PAD IN_HSPIN pull-down control register 1: pull-down 0: no pull-down
14	SIP_D3_PD	SIP_D3_PD	PAD SIP_D3 pull-down control register 1: pull-down 0: no pull-down
13	SIP_D2_PD	SIP_D2_PD	PAD SIP_D2 pull-down control register 1: pull-down

Bit(s)	Mnemonic	Name	Description
12	SIP_D1_PD	SIP_D1_PD	0: no pull-down PAD SIP_D1 pull-down control register 1: pull-down
11	SIP_Do_PD	SIP_Do_PD	0: no pull-down PAD SIP_Do pull-down control register 1: pull-down
10	SIP_CS_PD	SIP_CS_PD	0: no pull-down PAD SIP_CS pull-down control register 1: pull-down
9	SIP_CK_PD	SIP_CK_PD	0: no pull-down PAD SIP_CK pull-down control register 1: pull-down
8	IN_ADC15_PD	IN_ADC15_PD	0: no pull-down PAD IN_ADC15 pull-down control register 1: pull-down
7	IN_ADC14_PD	IN_ADC14_PD	0: no pull-down PAD IN_ADC14 pull-down control register 1: pull-down
6	IN_ADC13_PD	IN_ADC13_PD	0: no pull-down PAD IN_ADC13 pull-down control register 1: pull-down
5	IN_ADC12_PD	IN_ADC12_PD	0: no pull-down PAD IN_ADC12 pull-down control register 1: pull-down
4	IN_ADC11_PD	IN_ADC11_PD	0: no pull-down PAD IN_ADC11 pull-down control register 1: pull-down
3	IN_ADC10_PD	IN_ADC10_PD	0: no pull-down PAD IN_ADC10 pull-down control register 1: pull-down
2	IN_ADC9_PD	IN_ADC9_PD	0: no pull-down PAD IN_ADC9 pull-down control register 1: pull-down
1	IN_ADC8_PD	IN_ADC8_PD	0: no pull-down PAD IN_ADC8 pull-down control register 1: pull-down
0	IN_ADC7_PD	IN_ADC7_PD	0: no pull-down PAD IN_ADC7 pull-down control register 1: pull-down

8300B054 GPIO_PD3_SET PAD Pull-DOWN SET Control 00000000
Register 3

Bit	31	30	29	28	27	26	25	24	23	22	21	20	19	18	17	16		
Name																		
Type																		
Reset																		
Bit	15	14	13	12	11	10	9	8	7	6	5	4	3	2	1	0		
Name								GPIO_PD3_SET										
Type								RW										
Reset								0	0	0	0	0	0	0	0	0		

Bit(s)	Mnemonic	Name	Description
8:0	GPIO_PD3_SET	GPIO_PD3_SET	Write '1' to SET pull-down. The pull-down PAD is corresponding to GPIO_PD3 Read always return '0'

8300B058 GPIO_PD3_RESET PAD Pull-DOWN RESET Control Register 3 00000000

Bit	31	30	29	28	27	26	25	24	23	22	21	20	19	18	17	16
Name																
Type																
Reset																
Bit	15	14	13	12	11	10	9	8	7	6	5	4	3	2	1	0
Name								GPIO_PD3_RESET								
Type								RW								
Reset								0	0	0	0	0	0	0	0	0

Bit(s)	Mnemonic	Name	Description
8:0	GPIO_PD3_RESET	GPIO_PD3_RESET	Write '1' to RESET pull-down. The pull-down PAD is corresponding to GPIO_PD3 Read always return '0'

8300B060 GPIO_DOUT1 PAD GPO DATA Output Control Register 1 00000000

Bit	31	30	29	28	27	26	25	24	23	22	21	20	19	18	17	16
Name	GP_O_DO UT 31	GP_O_DO UT 30	GP_O_DO UT 29	GP_O_DO UT 28	GP_O_DO UT 27	GP_O_DO UT 26	GP_O_DO UT 25	GP_O_DO UT 24	GP_O_DO UT 23	GP_O_DO UT 22	GP_O_DO UT 21	GP_O_DO UT 20	GP_O_DO UT 19	GP_O_DO UT 18	GP_O_DO UT 17	GP_O_DO UT 16
Type	RW	RW	RW	RW	RW	RW	RW	RW	RW	RW	RW	RW	RW	RW	RW	RW
Reset	0	0	0	0	0	0	0	0	0	0	0	0	0	0	0	0
Bit	15	14	13	12	11	10	9	8	7	6	5	4	3	2	1	0
Name	GP_O_DO UT 15	GP_O_DO UT 14	GP_O_DO UT 13	GP_O_DO UT 12	GP_O_DO UT 11	GP_O_DO UT 10	GP_O_DO UT 9	GP_O_DO UT 8	GP_O_DO UT 7	GP_O_DO UT 6	GP_O_DO UT 5	GP_O_DO UT 4	GP_O_DO UT 3	GP_O_DO UT 2	GP_O_DO UT 1	GP_O_DO UT 0
Type	RW	RW	RW	RW	RW	RW	RW	RW	RW	RW	RW	RW	RW	RW	RW	RW
Reset	0	0	0	0	0	0	0	0	0	0	0	0	0	0	0	0

Bit(s)	Mnemonic	Name	Description
31	GPO_DOUT31	GPO_DOUT31	GPO_DOUT31 output control register 1: output high

Bit(s)	Mnemonic	Name	Description
30	GPO_DOUT30	GPO_DOUT30	0: ouptut low GPO_DOUT30 output control register 1: output high
29	GPO_DOUT29	GPO_DOUT29	0: ouptut low GPO_DOUT29 output control register 1: output high
28	GPO_DOUT28	GPO_DOUT28	0: ouptut low GPO_DOUT28 output control register 1: output high
27	GPO_DOUT27	GPO_DOUT27	0: ouptut low GPO_DOUT27 output control register 1: output high
26	GPO_DOUT26	GPO_DOUT26	0: ouptut low GPO_DOUT26 output control register 1: output high
25	GPO_DOUT25	GPO_DOUT25	0: ouptut low GPO_DOUT25 output control register 1: output high
24	GPO_DOUT24	GPO_DOUT24	0: ouptut low GPO_DOUT24 output control register 1: output high
23	GPO_DOUT23	GPO_DOUT23	0: ouptut low GPO_DOUT23 output control register 1: output high
22	GPO_DOUT22	GPO_DOUT22	0: ouptut low GPO_DOUT22 output control register 1: output high
21	GPO_DOUT21	GPO_DOUT21	0: ouptut low GPO_DOUT21 output control register 1: output high
20	GPO_DOUT20	GPO_DOUT20	0: ouptut low GPO_DOUT20 output control register 1: output high
19	GPO_DOUT19	GPO_DOUT19	0: ouptut low GPO_DOUT19 output control register 1: output high
18	GPO_DOUT18	GPO_DOUT18	0: ouptut low GPO_DOUT18 output control register 1: output high
17	GPO_DOUT17	GPO_DOUT17	0: ouptut low GPO_DOUT17 output control register 1: output high
16	GPO_DOUT16	GPO_DOUT16	0: ouptut low GPO_DOUT16 output control register 1: output high
15	GPO_DOUT15	GPO_DOUT15	0: ouptut low GPO_DOUT15 output control register 1: output high
14	GPO_DOUT14	GPO_DOUT14	0: ouptut low GPO_DOUT14 output control register 1: output high
13	GPO_DOUT13	GPO_DOUT13	0: ouptut low GPO_DOUT13 output control register 1: output high
12	GPO_DOUT12	GPO_DOUT12	0: ouptut low GPO_DOUT12 output control register 1: output high
11	GPO_DOUT11	GPO_DOUT11	0: ouptut low GPO_DOUT11 output control register 1: output high

Bit(s)	Mnemonic	Name	Description
10	GPO_DOUT10	GPO_DOUT10	0: ouptut low GPO_DOUT10 output control register 1: output high
9	GPO_DOUT9	GPO_DOUT9	0: ouptut low GPO_DOUT9 output control register 1: output high
8	GPO_DOUT8	GPO_DOUT8	0: ouptut low GPO_DOUT8 output control register 1: output high
7	GPO_DOUT7	GPO_DOUT7	0: ouptut low GPO_DOUT7 output control register 1: output high
6	GPO_DOUT6	GPO_DOUT6	0: ouptut low GPO_DOUT6 output control register 1: output high
5	GPO_DOUT5	GPO_DOUT5	0: ouptut low GPO_DOUT5 output control register 1: output high
4	GPO_DOUT4	GPO_DOUT4	0: ouptut low GPO_DOUT4 output control register 1: output high
3	GPO_DOUT3	GPO_DOUT3	0: ouptut low GPO_DOUT3 output control register 1: output high
2	GPO_DOUT2	GPO_DOUT2	0: ouptut low GPO_DOUT2 output control register 1: output high
1	GPO_DOUT1	GPO_DOUT1	0: ouptut low GPO_DOUT1 output control register 1: output high
0	GPO_DOUT0	GPO_DOUT0	0: ouptut low GPO_DOUT0 output control register 1: output high

8300B064 GPIO_DOUT1_SET PAD GPO DATA Output Control Set 00000000 Register 1

Bit	31	30	29	28	27	26	25	24	23	22	21	20	19	18	17	16
Name	GPIO_DOUT1_SET															
Type	RW															
Reset	0	0	0	0	0	0	0	0	0	0	0	0	0	0	0	0
Bit	15	14	13	12	11	10	9	8	7	6	5	4	3	2	1	0
Name	GPIO_DOUT1_SET															
Type	RW															
Reset	0	0	0	0	0	0	0	0	0	0	0	0	0	0	0	0

Bit(s)	Mnemonic	Name	Description
31:0	GPIO_DOUT1_SET	GPIO_DOUT1_SET	Write '1' to SET GPO output value. The GPO PAD is corresponding to GPIO_DOUT1 Read always return '0'

Bit(s)	Mnemonic	Name	Description
--------	----------	------	-------------

8300B068 GPIO_DOUT1_RESE T PAD GPO DATA Output Control Register 1 00000000

Bit	31	30	29	28	27	26	25	24	23	22	21	20	19	18	17	16
Name	GPIO_DOUT1_RESET															
Type	RW															
Reset	0	0	0	0	0	0	0	0	0	0	0	0	0	0	0	0
Bit	15	14	13	12	11	10	9	8	7	6	5	4	3	2	1	0
Name	GPIO_DOUT1_RESET															
Type	RW															
Reset	0	0	0	0	0	0	0	0	0	0	0	0	0	0	0	0

Bit(s)	Mnemonic	Name	Description
31:0	GPIO_DOUT1_RESE T	GPIO_DOUT1_RESET	Write '1' to RESET GPO output value. The GPO PAD is corresponding to GPIO_DOUT1 Read always return '0'

8300B070 GPIO_DOUT2 PAD GPO DATA Output Control Register 2 00000000

Bit	31	30	29	28	27	26	25	24	23	22	21	20	19	18	17	16
Name	GP_O_DO_UT_63	GP_O_DO_UT_62	GP_O_DO_UT_61	GP_O_DO_UT_60	GP_O_DO_UT_59	GP_O_DO_UT_58	GP_O_DO_UT_57	GP_O_DO_UT_56	GP_O_DO_UT_55	GP_O_DO_UT_54	GP_O_DO_UT_53	GP_O_DO_UT_52	GP_O_DO_UT_51	GP_O_DO_UT_50	GP_O_DO_UT_49	GP_O_DO_UT_48
Type	RW	RW	RW	RW	RW	RW	RW	RW	RW	RW	RW	RW	RW	RW	RW	RW
Reset	0	0	0	0	0	0	0	0	0	0	0	0	0	0	0	0
Bit	15	14	13	12	11	10	9	8	7	6	5	4	3	2	1	0
Name	GP_O_DO_UT_47	GP_O_DO_UT_46	GP_O_DO_UT_45	GP_O_DO_UT_44	GP_O_DO_UT_43	GP_O_DO_UT_42	GP_O_DO_UT_41	GP_O_DO_UT_40	GP_O_DO_UT_39	GP_O_DO_UT_38	GP_O_DO_UT_37	GP_O_DO_UT_36	GP_O_DO_UT_35	GP_O_DO_UT_34	GP_O_DO_UT_33	GP_O_DO_UT_32
Type	RW	RW	RW	RW	RW	RW	RW	RW	RW	RW	RW	RW	RW	RW	RW	RW
Reset	0	0	0	0	0	0	0	0	0	0	0	0	0	0	0	0

Bit(s)	Mnemonic	Name	Description
31	GPO_DOUT63	GPO_DOUT63	GPO_DOUT63 output control register 1: output high 0: ouptut low
30	GPO_DOUT62	GPO_DOUT62	GPO_DOUT62 output control register 1: output high 0: ouptut low
29	GPO_DOUT61	GPO_DOUT61	GPO_DOUT61 output control register

Bit(s)	Mnemonic	Name	Description
28	GPO_DOUT60	GPO_DOUT60	1: output high 0: ouptut low GPO_DOUT60 output control register
27	GPO_DOUT59	GPO_DOUT59	1: output high 0: ouptut low GPO_DOUT59 output control register
26	GPO_DOUT58	GPO_DOUT58	1: output high 0: ouptut low GPO_DOUT58 output control register
25	GPO_DOUT57	GPO_DOUT57	1: output high 0: ouptut low GPO_DOUT57 output control register
24	GPO_DOUT56	GPO_DOUT56	1: output high 0: ouptut low GPO_DOUT56 output control register
23	GPO_DOUT55	GPO_DOUT55	1: output high 0: ouptut low GPO_DOUT55 output control register
22	GPO_DOUT54	GPO_DOUT54	1: output high 0: ouptut low GPO_DOUT54 output control register
21	GPO_DOUT53	GPO_DOUT53	1: output high 0: ouptut low GPO_DOUT53 output control register
20	GPO_DOUT52	GPO_DOUT52	1: output high 0: ouptut low GPO_DOUT52 output control register
19	GPO_DOUT51	GPO_DOUT51	1: output high 0: ouptut low GPO_DOUT51 output control register
18	GPO_DOUT50	GPO_DOUT50	1: output high 0: ouptut low GPO_DOUT50 output control register
17	GPO_DOUT49	GPO_DOUT49	1: output high 0: ouptut low GPO_DOUT49 output control register
16	GPO_DOUT48	GPO_DOUT48	1: output high 0: ouptut low GPO_DOUT48 output control register
15	GPO_DOUT47	GPO_DOUT47	1: output high 0: ouptut low GPO_DOUT47 output control register
14	GPO_DOUT46	GPO_DOUT46	1: output high 0: ouptut low GPO_DOUT46 output control register
13	GPO_DOUT45	GPO_DOUT45	1: output high 0: ouptut low GPO_DOUT45 output control register
12	GPO_DOUT44	GPO_DOUT44	1: output high 0: ouptut low GPO_DOUT44 output control register
11	GPO_DOUT43	GPO_DOUT43	1: output high 0: ouptut low GPO_DOUT43 output control register
10	GPO_DOUT42	GPO_DOUT42	1: output high 0: ouptut low GPO_DOUT42 output control register
9	GPO_DOUT41	GPO_DOUT41	1: output high 0: ouptut low GPO_DOUT41 output control register

Bit(s)	Mnemonic	Name	Description
8	GPO_DOUT40	GPO_DOUT40	1: output high 0: ouptut low GPO_DOUT40 output control register
7	GPO_DOUT39	GPO_DOUT39	1: output high 0: ouptut low GPO_DOUT39 output control register
6	GPO_DOUT38	GPO_DOUT38	1: output high 0: ouptut low GPO_DOUT38 output control register
5	GPO_DOUT37	GPO_DOUT37	1: output high 0: ouptut low GPO_DOUT37 output control register
4	GPO_DOUT36	GPO_DOUT36	1: output high 0: ouptut low GPO_DOUT36 output control register
3	GPO_DOUT35	GPO_DOUT35	1: output high 0: ouptut low GPO_DOUT35 output control register
2	GPO_DOUT34	GPO_DOUT34	1: output high 0: ouptut low GPO_DOUT34 output control register
1	GPO_DOUT33	GPO_DOUT33	1: output high 0: ouptut low GPO_DOUT33 output control register
0	GPO_DOUT32	GPO_DOUT32	1: output high 0: ouptut low GPO_DOUT32 output control register

8300B074 GPIO DOUT2 SET PAD GPO DATA Output Control Set 00000000 Register 2

Bit	31	30	29	28	27	26	25	24	23	22	21	20	19	18	17	16
Name	GPIO_DOUT2_SET															
Type	RW															
Reset	0	0	0	0	0	0	0	0	0	0	0	0	0	0	0	0
Bit	15	14	13	12	11	10	9	8	7	6	5	4	3	2	1	0
Name	GPIO_DOUT2_SET															
Type	RW															
Reset	0	0	0	0	0	0	0	0	0	0	0	0	0	0	0	0

Bit(s)	Mnemonic	Name	Description
31:0	GPIO_DOUT2_SET	GPIO_DOUT2_SET	Write '1' to SET GPO output value. The GPO PAD is corresponding to GPIO_DOUT2 Read always return '0'

8300B078 GPIO DOUT2 RESE PAD GPO DATA Output Control 00000000

T **Reset Register 2**

Bit	31	30	29	28	27	26	25	24	23	22	21	20	19	18	17	16
Name	GPIO_DOUT2_RESET															
Type	RW															
Reset	0	0	0	0	0	0	0	0	0	0	0	0	0	0	0	0
Bit	15	14	13	12	11	10	9	8	7	6	5	4	3	2	1	0
Name	GPIO_DOUT2_RESET															
Type	RW															
Reset	0	0	0	0	0	0	0	0	0	0	0	0	0	0	0	0

Bit(s)	Mnemonic	Name	Description
31:0 T	GPIO_DOUT2_RESE T	GPIO_DOUT2_RESET	Write '1' to RESET GPO output value. The GPO PAD is corresponding to GPIO_DOUT2 Read always return '0'

8300Bo80 GPIO_DOUT3 PAD GPO DATA Output Control Register 3 00000000

Bit	31	30	29	28	27	26	25	24	23	22	21	20	19	18	17	16
Name																
Type																
Reset																
Bit	15	14	13	12	11	10	9	8	7	6	5	4	3	2	1	0
Name								GP O_ DO UT 72	GP O_ DO UT 71	GP O_ DO UT 70	GP O_ DO UT 69	GP O_ DO UT 68	GP O_ DO UT 67	GP O_ DO UT 66	GP O_ DO UT 65	GP O_ DO UT 64
Type								RW	RW	RW	RW	RW	RW	RW	RW	RW
Reset								0	0	0	0	0	0	0	0	0

Bit(s)	Mnemonic	Name	Description
8	GPO_DOUT72	GPO_DOUT72	GPO_DOUT72 output control register 1: output high 0: ouptut low
7	GPO_DOUT71	GPO_DOUT71	GPO_DOUT71 output control register 1: output high 0: ouptut low
6	GPO_DOUT70	GPO_DOUT70	GPO_DOUT70 output control register 1: output high 0: ouptut low
5	GPO_DOUT69	GPO_DOUT69	GPO_DOUT69 output control register 1: output high 0: ouptut low
4	GPO_DOUT68	GPO_DOUT68	GPO_DOUT68 output control register 1: output high 0: ouptut low

Bit(s)	Mnemonic	Name	Description
3	GPO_DOUT67	GPO_DOUT67	GPO_DOUT67 output control register 1: output high 0: ouptut low
2	GPO_DOUT66	GPO_DOUT66	GPO_DOUT66 output control register 1: output high 0: ouptut low
1	GPO_DOUT65	GPO_DOUT65	GPO_DOUT65 output control register 1: output high 0: ouptut low
0	GPO_DOUT64	GPO_DOUT64	GPO_DOUT64 output control register 1: output high 0: ouptut low

8300Bo84 GPIO_DOUT3_SET PAD GPO DATA Output Control Set 00000000 Register 3

Bit	31	30	29	28	27	26	25	24	23	22	21	20	19	18	17	16		
Name																		
Type																		
Reset																		
Bit	15	14	13	12	11	10	9	8	7	6	5	4	3	2	1	0		
Name								GPIO_DOUT2_SET										
Type								RW										
Reset								0	0	0	0	0	0	0	0	0		

Bit(s)	Mnemonic	Name	Description
8:0	GPIO_DOUT2_SET	GPIO_DOUT2_SET	Write '1' to SET GPO output value. The GPO PAD is corresponding to GPIO_DOUT2 Read always return '0'

8300Bo88 GPIO_DOUT3_RESE PAD GPO DATA Output Control Reset Register 3

Bit	31	30	29	28	27	26	25	24	23	22	21	20	19	18	17	16		
Name																		
Type																		
Reset																		
Bit	15	14	13	12	11	10	9	8	7	6	5	4	3	2	1	0		
Name								GPIO_DOUT2_RESET										
Type								RW										
Reset								0	0	0	0	0	0	0	0	0		

Bit(s)	Mnemonic	Name	Description
8:0	GPIO_DOUT2_RESET	GPIO_DOUT2_RESET	Write '1' to RESET GPO output value. The GPO PAD is corresponding to GPIO_DOUT2 Read always return '0'

8300B090 GPIO OE1 PAD GPO Output Enable Control Register 1 00000000

Bit	31	30	29	28	27	26	25	24	23	22	21	20	19	18	17	16
Name	GPIO_OE1															
Type	RW															
Reset	0	0	0	0	0	0	0	0	0	0	0	0	0	0	0	0
Bit	15	14	13	12	11	10	9	8	7	6	5	4	3	2	1	0
Name	GPIO_OE1															
Type	RW															
Reset	0	0	0	0	0	0	0	0	0	0	0	0	0	0	0	0

Bit(s)	Mnemonic	Name	Description
31:0	GPIO_OE1	GPIO_OE1	PAD GPO Output Enable The GPO PAD is corresponding to GPIO_DOUT1. 1:GPO output is Enable 0:GPO output is Disable

8300B094 GPIO OE1 SET PAD GPO Output Enable Set Control Register 1 00000000

Bit	31	30	29	28	27	26	25	24	23	22	21	20	19	18	17	16
Name	GPIO_OE1_SET															
Type	RW															
Reset	0	0	0	0	0	0	0	0	0	0	0	0	0	0	0	0
Bit	15	14	13	12	11	10	9	8	7	6	5	4	3	2	1	0
Name	GPIO_OE1_SET															
Type	RW															
Reset	0	0	0	0	0	0	0	0	0	0	0	0	0	0	0	0

Bit(s)	Mnemonic	Name	Description
31:0	GPIO_OE1_SET	GPIO_OE1_SET	Write '1' to SET GPO output enable. The GPO PAD is corresponding to GPIO_OE1. Read always return "0"

8300B098 GPIO OE1 RESET PAD GPO Output Enable Reset 00000000

Control Register 1

Bit	31	30	29	28	27	26	25	24	23	22	21	20	19	18	17	16
Name	GPIO_OE1_RESET															
Type	RW															
Reset	0	0	0	0	0	0	0	0	0	0	0	0	0	0	0	0
Bit	15	14	13	12	11	10	9	8	7	6	5	4	3	2	1	0
Name	GPIO_OE1_RESET															
Type	RW															
Reset	0	0	0	0	0	0	0	0	0	0	0	0	0	0	0	0

Bit(s)	Mnemonic	Name	Description
31:0	GPIO_OE1_RESET	GPIO_OE1_RESET	Write '1' to RESET GPO output enable. The GPO PAD is corresponding to GPIO_OE1. Read always return "0"

8300BoAo GPIO OE2 PAD GPO Output Enable Control Register 2 00000000

Bit	31	30	29	28	27	26	25	24	23	22	21	20	19	18	17	16
Name	GPIO_OE2															
Type	RW															
Reset	0	0	0	0	0	0	0	0	0	0	0	0	0	0	0	0
Bit	15	14	13	12	11	10	9	8	7	6	5	4	3	2	1	0
Name	GPIO_OE2															
Type	RW															
Reset	0	0	0	0	0	0	0	0	0	0	0	0	0	0	0	0

Bit(s)	Mnemonic	Name	Description
31:0	GPIO_OE2	GPIO_OE2	PAD GPO Output Enable The GPO PAD is corresponding to GPIO_DOUT2. 1:GPO output is Enable 0:GPO output is Disable

8300BoA4 GPIO OE2 SET PAD GPO Output Enable Set Control Register2 00000000

Bit	31	30	29	28	27	26	25	24	23	22	21	20	19	18	17	16
Name	GPIO_OE2_SET															
Type	RW															
Reset	0	0	0	0	0	0	0	0	0	0	0	0	0	0	0	0
Bit	15	14	13	12	11	10	9	8	7	6	5	4	3	2	1	0

Name	GPIO_OE2_SET															
Type	RW															
Reset	0	0	0	0	0	0	0	0	0	0	0	0	0	0	0	0

Bit(s)	Mnemonic	Name	Description
31:0	GPIO_OE2_SET	GPIO_OE2_SET	Write '1' to SET GPO output enable. The GPO PAD is corresponding to GPIO_OE2. Read always return "0"

8300BoA8 GPIO OE2 RESET PAD GPO Output Enable Reset 00000000
Control Register 2

Bit	31	30	29	28	27	26	25	24	23	22	21	20	19	18	17	16
Name	GPIO_OE2_RESET															
Type	RW															
Reset	0	0	0	0	0	0	0	0	0	0	0	0	0	0	0	0
Bit	15	14	13	12	11	10	9	8	7	6	5	4	3	2	1	0
Name	GPIO_OE2_RESET															
Type	RW															
Reset	0	0	0	0	0	0	0	0	0	0	0	0	0	0	0	0

Bit(s)	Mnemonic	Name	Description
31:0	GPIO_OE2_RESET	GPIO_OE2_RESET	Write '1' to RESET GPO output enable. The GPO PAD is corresponding to GPIO_OE2. Read always return "0"

8300BoBo GPIO OE3 PAD GPO Output Enable Control 00000000
Register 2

Bit	31	30	29	28	27	26	25	24	23	22	21	20	19	18	17	16		
Name																		
Type																		
Reset																		
Bit	15	14	13	12	11	10	9	8	7	6	5	4	3	2	1	0		
Name								GPIO_OE3										
Type								RW										
Reset								0	0	0	0	0	0	0	0	0		

Bit(s)	Mnemonic	Name	Description
8:0	GPIO_OE3	GPIO_OE3	PAD GPO Output Enable

Bit(s)	Mnemonic	Name	Description
			The GPO PAD is corresponding to GPIO_DOUT3. 1:GPO output is Enable 0:GPO output is Disable

8300BoB4 GPIO OE3 SET PAD GPO Output Enable Set 00000000
Control Register2

Bit	31	30	29	28	27	26	25	24	23	22	21	20	19	18	17	16		
Name																		
Type																		
Reset																		
Bit	15	14	13	12	11	10	9	8	7	6	5	4	3	2	1	0		
Name								GPIO_OE3_SET										
Type								RW										
Reset								0	0	0	0	0	0	0	0	0		

Bit(s)	Mnemonic	Name	Description
8:0	GPIO_OE3_SET	GPIO_OE3_SET	Write '1' to SET GPO output enable. The GPO PAD is corresponding to GPIO_OE3. Read always return "0"

8300BoB8 GPIO OE3 RESET PAD GPO Output Enable Reset 00000000
Control Register 2

Bit	31	30	29	28	27	26	25	24	23	22	21	20	19	18	17	16
Name																
Type																
Reset																
Bit	15	14	13	12	11	10	9	8	7	6	5	4	3	2	1	0
Name	GPIO_OE3_RESET															
Type	RW															
Reset	0	0	0	0	0	0	0	0	0	0	0	0	0	0	0	0

Bit(s)	Mnemonic	Name	Description
15:0	GPIO_OE3_RESET	GPIO_OE3_RESET	Write '1' to RESET GPO output enable. The GPO PAD is corresponding to GPIO_OE3. Read always return "0"

8300BoCo GPIO DIN1 PAD GPI Input Data Control 00000000

Register 1

Bit	31	30	29	28	27	26	25	24	23	22	21	20	19	18	17	16
Name	GP O_ DI N31	GP O_ DI N30	GP O_ DI N29	GP O_ DI N28	GP O_ DI N27	GP O_ DI N26	GP O_ DI N25	GP O_ DI N24	GP O_ DI N23	GP O_ DI N22	GP O_ DI N21	GP O_ DI N20	GP O_ DI N19	GP O_ DI N18	GP O_ DI N17	GP O_ DI N16
Type	RO	RO	RO	RO	RO	RO	RO	RO	RO	RO	RO	RO	RO	RO	RO	RO
Reset	0	0	0	0	0	0	0	0	0	0	0	0	0	0	0	0
Bit	15	14	13	12	11	10	9	8	7	6	5	4	3	2	1	0
Name	GP O_ DI N15	GP O_ DI N14	GP O_ DI N13	GP O_ DI N12	GP O_ DI N11	GP O_ DI N10	GP O_ DI N9	GP O_ DI N8	GP O_ DI N7	GP O_ DI N6	GP O_ DI N5	GP O_ DI N4	GP O_ DI N3	GP O_ DI N2	GP O_ DI N1	GP O_ DI N0
Type	RO	RO	RO	RO	RO	RO	RO	RO	RO	RO	RO	RO	RO	RO	RO	RO
Reset	0	0	0	0	0	0	0	0	0	0	0	0	0	0	0	0

Bit(s)	Mnemonic	Name	Description
31	GPO_DIN31	GPO_DIN31	GPO_DIN31 from PAD SDIO_DAT1 1: input High 0: input Low
30	GPO_DIN30	GPO_DIN30	GPO_DIN30 from PAD SDIO_DAT2 1: input High 0: input Low
29	GPO_DIN29	GPO_DIN29	GPO_DIN29 from PAD SDIO_DAT3 1: input High 0: input Low
28	GPO_DIN28	GPO_DIN28	GPO_DIN28 from PAD SDIO_CMD 1: input High 0: input Low
27	GPO_DIN27	GPO_DIN27	GPO_DIN27 from PAD SDIO_CLK 1: input High 0: input Low
26	GPO_DIN26	GPO_DIN26	GPO_DIN26 from PAD CLK_REQ_N 1: input High 0: input Low
25	GPO_DIN25	GPO_DIN25	GPO_DIN25 from PAD WAKE_N 1: input High 0: input Low
24	GPO_DIN24	GPO_DIN24	GPO_DIN24 from PAD PERST_N 1: input High 0: input Low
23	GPO_DIN23	GPO_DIN23	GPO_DIN23 from PAD IN_UART0_TXD 1: input High 0: input Low
22	GPO_DIN22	GPO_DIN22	GPO_DIN22 from PAD IN_GPIO22 1: input High 0: input Low
21	GPO_DIN21	GPO_DIN21	GPO_DIN21 from PAD IN_GPIO21 1: input High 0: input Low
20	GPO_DIN20	GPO_DIN20	GPO_DIN20 from PAD IN_GPIO20 1: input High 0: input Low
19	GPO_DIN19	GPO_DIN19	GPO_DIN19 from PAD IN_GPIO19 1: input High 0: input Low

Bit(s)	Mnemonic	Name	Description
18	GPO_DIN18	GPO_DIN18	GPO_DIN18 from PAD IN_GPIO18 1: input High 0: input Low
17	GPO_DIN17	GPO_DIN17	GPO_DIN17 from PAD IN_GPIO17 1: input High 0: input Low
16	GPO_DIN16	GPO_DIN16	GPO_DIN16 from PAD IN_GPIO16 1: input High 0: input Low
15	GPO_DIN15	GPO_DIN15	GPO_DIN15 from PAD IN_GPIO15 1: input High 0: input Low
14	GPO_DIN14	GPO_DIN14	GPO_DIN14 from PAD IN_GPIO14 1: input High 0: input Low
13	GPO_DIN13	GPO_DIN13	GPO_DIN13 from PAD IN_GPIO13 1: input High 0: input Low
12	GPO_DIN12	GPO_DIN12	GPO_DIN12 from PAD IN_GPIO12 1: input High 0: input Low
11	GPO_DIN11	GPO_DIN11	GPO_DIN11 from PAD IN_GPIO11 1: input High 0: input Low
10	GPO_DIN10	GPO_DIN10	GPO_DIN10 from PAD IN_GPIO10 1: input High 0: input Low
9	GPO_DIN9	GPO_DIN9	GPO_DIN9 from PAD IN_GPIO9 1: input High 0: input Low
8	GPO_DIN8	GPO_DIN8	GPO_DIN8 from PAD IN_GPIO8 1: input High 0: input Low
7	GPO_DIN7	GPO_DIN7	GPO_DIN7 from PAD ANTSEL7 1: input High 0: input Low
6	GPO_DIN6	GPO_DIN6	GPO_DIN6 from PAD ANTSEL6 1: input High 0: input Low
5	GPO_DIN5	GPO_DIN5	GPO_DIN5 from PAD ANTSEL5 1: input High 0: input Low
4	GPO_DIN4	GPO_DIN4	GPO_DIN4 from PAD ANTSEL4 1: input High 0: input Low
3	GPO_DIN3	GPO_DIN3	GPO_DIN3 from PAD ANTSEL3 1: input High 0: input Low
2	GPO_DIN2	GPO_DIN2	GPO_DIN2 from PAD ANTSEL2 1: input High 0: input Low
1	GPO_DIN1	GPO_DIN1	GPO_DIN1 from PAD ANTSEL1 1: input High 0: input Low
0	GPO_DINo	GPO_DINo	GPO_DINo from PAD ANTSELo 1: input High 0: input Low

8300BoC4 GPIO DIN2

PAD GPI Input Data Control Register 2

00000000

Bit	31	30	29	28	27	26	25	24	23	22	21	20	19	18	17	16
Name	GP O_ DI N6 3	GP O_ DI N6 2	GP O_ DI N6 1	GP O_ DI N6 0	GP O_ DI N5 9	GP O_ DI N5 8	GP O_ DI N5 7	GP O_ DI N5 6	GP O_ DI N5 5	GP O_ DI N5 4	GP O_ DI N5 3	GP O_ DI N5 2	GP O_ DI N51	GP O_ DI N5 0	GP O_ DI N4 9	GP O_ DI N4 8
Type	RO	RO	RO	RO	RO	RO	RO	RO	RO	RO	RO	RO	RO	RO	RO	RO
Reset	0	0	0	0	0	0	0	0	0	0	0	0	0	0	0	0
Bit	15	14	13	12	11	10	9	8	7	6	5	4	3	2	1	0
Name	GP O_ DI N4 7	GP O_ DI N4 6	GP O_ DI N4 5	GP O_ DI N4 4	GP O_ DI N4 3	GP O_ DI N4 2	GP O_ DI N4 1	GP O_ DI N4 0	GP O_ DI N3 9	GP O_ DI N3 8	GP O_ DI N3 7	GP O_ DI N3 6	GP O_ DI N3 5	GP O_ DI N3 4	GP O_ DI N3 3	GP O_ DI N3 2
Type	RO	RO	RO	RO	RO	RO	RO	RO	RO	RO	RO	RO	RO	RO	RO	RO
Reset	0	0	0	0	0	0	0	0	0	0	0	0	0	0	0	0

Bit(s)	Mnemonic	Name	Description
31	GPO_DIN63	GPO_DIN63	GPO_DIN63 from PAD IN_ADC6 1: input High 0: input Low
30	GPO_DIN62	GPO_DIN62	GPO_DIN62 from PAD IN_ADC5 1: input High 0: input Low
29	GPO_DIN61	GPO_DIN61	GPO_DIN61 from PAD IN_ADC4 1: input High 0: input Low
28	GPO_DIN60	GPO_DIN60	GPO_DIN60 from PAD BT_LED_B 1: input High 0: input Low
27	GPO_DIN59	GPO_DIN59	GPO_DIN59 from PAD WF_LED_B 1: input High 0: input Low
26	GPO_DIN58	GPO_DIN58	GPO_DIN58 from PAD BT_RF_DIS_B 1: input High 0: input Low
25	GPO_DIN57	GPO_DIN57	GPO_DIN57 from PAD WF_RF_DIS_B 1: input High 0: input Low
24	GPO_DIN56	GPO_DIN56	GPO_DIN56 from PAD IN_PWM7 1: input High 0: input Low
23	GPO_DIN55	GPO_DIN55	GPO_DIN55 from PAD IN_PWM6 1: input High 0: input Low
22	GPO_DIN54	GPO_DIN54	GPO_DIN54 from PAD IN_PWM5 1: input High 0: input Low
21	GPO_DIN53	GPO_DIN53	GPO_DIN53 from PAD IN_PWM4 1: input High 0: input Low
20	GPO_DIN52	GPO_DIN52	GPO_DIN52 from PAD IN_PWM3 1: input High 0: input Low
19	GPO_DIN51	GPO_DIN51	GPO_DIN51 from PAD IN_PWM2

Bit(s)	Mnemonic	Name	Description
18	GPO_DIN50	GPO_DIN50	1: input High 0: input Low GPO_DIN50 from PAD IN_GPIO54
17	GPO_DIN49	GPO_DIN49	1: input High 0: input Low GPO_DIN49 from PAD IN_GPIO53
16	GPO_DIN48	GPO_DIN48	1: input High 0: input Low GPO_DIN48 from PAD IN_GPIO52
15	GPO_DIN47	GPO_DIN47	1: input High 0: input Low GPO_DIN47 from PAD IN_GPIO51
14	GPO_DIN46	GPO_DIN46	1: input High 0: input Low GPO_DIN46 from PAD IN_GPIO50
13	GPO_DIN45	GPO_DIN45	1: input High 0: input Low GPO_DIN45 from PAD IN_GPIO49
12	GPO_DIN44	GPO_DIN44	1: input High 0: input Low GPO_DIN44 from PAD IN_GPIO48
11	GPO_DIN43	GPO_DIN43	1: input High 0: input Low GPO_DIN43 from PAD IN_GPIO47
10	GPO_DIN42	GPO_DIN42	1: input High 0: input Low GPO_DIN42 from PAD IN_GPIO46
9	GPO_DIN41	GPO_DIN41	1: input High 0: input Low GPO_DIN41 from PAD IN_GPIO45
8	GPO_DIN40	GPO_DIN40	1: input High 0: input Low GPO_DIN40 from PAD IN_GPIO44
7	GPO_DIN39	GPO_DIN39	1: input High 0: input Low GPO_DIN39 from PAD UART_CTS
6	GPO_DIN38	GPO_DIN38	1: input High 0: input Low GPO_DIN38 from PAD UART_RTS
5	GPO_DIN37	GPO_DIN37	1: input High 0: input Low GPO_DIN37 from PAD UART_TX
4	GPO_DIN36	GPO_DIN36	1: input High 0: input Low GPO_DIN36 from PAD UART_RX
3	GPO_DIN35	GPO_DIN35	1: input High 0: input Low GPO_DIN35 from PAD UART_DBG
2	GPO_DIN34	GPO_DIN34	1: input High 0: input Low GPO_DIN34 from PAD GPIO1
1	GPO_DIN33	GPO_DIN33	1: input High 0: input Low GPO_DIN33 from PAD GPIO0
0	GPO_DIN32	GPO_DIN32	1: input High 0: input Low GPO_DIN32 from PAD SDIO_DAT0

Bit(s)	Mnemonic	Name	Description
--------	----------	------	-------------

8300BoC8 GPIO DIN3 **PAD GPI Input Data Control Register 3** **00000000**

Bit	31	30	29	28	27	26	25	24	23	22	21	20	19	18	17	16
Name																
Type																
Reset																
Bit	15	14	13	12	11	10	9	8	7	6	5	4	3	2	1	0
Name								GP O_ DI N7 2	GP O_ DI N7 1	GP O_ DI N7 0	GP O_ DI N6 9	GP O_ DI N6 8	GP O_ DI N6 7	GP O_ DI N6 6	GP O_ DI N6 5	GP O_ DI N6 4
Type								RO	RO	RO	RO	RO	RO	RO	RO	RO
Reset								0	0	0	0	0	0	0	0	0

Bit(s)	Mnemonic	Name	Description
8	GPO_DIN72	GPO_DIN72	GPO_DIN72 from PAD IN_ADC15 1: input High 0: input Low
7	GPO_DIN71	GPO_DIN71	GPO_DIN71 from PAD IN_ADC14 1: input High 0: input Low
6	GPO_DIN70	GPO_DIN70	GPO_DIN70 from PAD IN_ADC13 1: input High 0: input Low
5	GPO_DIN69	GPO_DIN69	GPO_DIN69 from PAD IN_ADC12 1: input High 0: input Low
4	GPO_DIN68	GPO_DIN68	GPO_DIN68 from PAD IN_ADC11 1: input High 0: input Low
3	GPO_DIN67	GPO_DIN67	GPO_DIN67 from PAD IN_ADC10 1: input High 0: input Low
2	GPO_DIN66	GPO_DIN66	GPO_DIN66 from PAD IN_ADC9 1: input High 0: input Low
1	GPO_DIN65	GPO_DIN65	GPO_DIN65 from PAD IN_ADC8 1: input High 0: input Low
0	GPO_DIN64	GPO_DIN64	GPO_DIN64 from PAD IN_ADC7 1: input High 0: input Low

8300BoDo PADDRV1 **PAD Driving Control Register1** **00000000**

Bit	31	30	29	28	27	26	25	24	23	22	21	20	19	18	17	16
Name	IN_GPIO1	IN_GPIO1	IN_GPIO1	IN_GPIO1	IN_GPIO1	IN_GPIO1	IN_GPIO1	IN_GPIO1	IN_GPIO1	IN_GPIO1	IN_GPIO1	IN_GPIO1	IN_GPIO1	IN_GPIO1	IN_GPIO1	IN_GPIO1

e	5_DRV		4_DRV		3_DRV		2_DRV		1_DRV		0_DRV		9_DRV		8_DRV	
Type	RW		RW		RW		RW		RW		RW		RW		RW	
Reset	0	0	0	0	0	0	0	0	0	0	0	0	0	0	0	0
Bit	15	14	13	12	11	10	9	8	7	6	5	4	3	2	1	0
Name	ANTSEL7_DRV		ANTSEL6_DRV		ANTSEL5_DRV		ANTSEL4_DRV		ANTSEL3_DRV		ANTSEL2_DRV		ANTSEL1_DRV		ANTSELo_DRV	
Type	RW		RW		RW		RW		RW		RW		RW		RW	
Reset	0	0	0	0	0	0	0	0	0	0	0	0	0	0	0	0

Bit(s)	Mnemonic	Name	Description
31:30	IN_GPIO15_DRV	IN_GPIO15_DRV	IN_GPIO15 driving setting The same as ANTSELo_DRV
29:28	IN_GPIO14_DRV	IN_GPIO14_DRV	IN_GPIO14 driving setting The same as ANTSELo_DRV
27:26	IN_GPIO13_DRV	IN_GPIO13_DRV	IN_GPIO13 driving setting The same as ANTSELo_DRV
25:24	IN_GPIO12_DRV	IN_GPIO12_DRV	IN_GPIO12 driving setting The same as ANTSELo_DRV
23:22	IN_GPIO11_DRV	IN_GPIO11_DRV	IN_GPIO11 driving setting The same as ANTSELo_DRV
21:20	IN_GPIO10_DRV	IN_GPIO10_DRV	IN_GPIO10 driving setting The same as ANTSELo_DRV
19:18	IN_GPIO9_DRV	IN_GPIO9_DRV	IN_GPIO9 driving setting The same as ANTSELo_DRV
17:16	IN_GPIO8_DRV	IN_GPIO8_DRV	IN_GPIO8 driving setting The same as ANTSELo_DRV
15:14	ANTSEL7_DRV	ANTSEL7_DRV	ANTSEL7 driving setting The same as ANTSELo_DRV
13:12	ANTSEL6_DRV	ANTSEL6_DRV	ANTSEL6 driving setting The same as ANTSELo_DRV
11:10	ANTSEL5_DRV	ANTSEL5_DRV	ANTSEL5 driving setting The same as ANTSELo_DRV
9:8	ANTSEL4_DRV	ANTSEL4_DRV	ANTSEL4 driving setting The same as ANTSELo_DRV
7:6	ANTSEL3_DRV	ANTSEL3_DRV	ANTSEL3 driving setting The same as ANTSELo_DRV
5:4	ANTSEL2_DRV	ANTSEL2_DRV	ANTSEL2 driving setting The same as ANTSELo_DRV
3:2	ANTSEL1_DRV	ANTSEL1_DRV	ANTSEL1 driving setting The same as ANTSELo_DRV
1:0	ANTSELo_DRV	ANTSELo_DRV	ANTSELo driving setting 00:4mA 01:8mA 10:12mA 11:16mA

8300BoD4 PADDRV2				PAD Driving Control Register2								00000000				
Bit	31	30	29	28	27	26	25	24	23	22	21	20	19	18	17	16
Name											CLK_REQ_N_DRV		WAKE_N_DRV		PERST_N_DRV	
Type											RW		RW		RW	
Reset											0	0	0	0	0	0

Bit	15	14	13	12	11	10	9	8	7	6	5	4	3	2	1	0
Name	IN_UART0_TXD_DRV		IN_GPIO22_DRV		IN_GPIO21_DRV		IN_GPIO20_DRV		IN_GPIO19_DRV		IN_GPIO18_DRV		IN_GPIO17_DRV		IN_GPIO16_DRV	
Type	RW		RW		RW		RW		RW		RW		RW		RW	
Reset	0	0	0	0	0	0	0	0	0	0	0	0	0	0	0	0

Bit(s)	Mnemonic	Name	Description
21:20	CLK_REQ_N_DRV	CLK_REQ_N_DRV	CLK_REQ_N driving setting The same as ANTSELO_DRV
19:18	WAKE_N_DRV	WAKE_N_DRV	WAKE_N driving setting The same as ANTSELO_DRV
17:16	PERST_N_DRV	PERST_N_DRV	PERST_N driving setting The same as ANTSELO_DRV
15:14	IN_UART0_TXD_DRV	IN_UART0_TXD_DRV	IN_UART0_TXD driving setting The same as ANTSELO_DRV
13:12	IN_GPIO22_DRV	IN_GPIO22_DRV	IN_GPIO22 driving setting The same as ANTSELO_DRV
11:10	IN_GPIO21_DRV	IN_GPIO21_DRV	IN_GPIO21 driving setting The same as ANTSELO_DRV
9:8	IN_GPIO20_DRV	IN_GPIO20_DRV	IN_GPIO20 driving setting The same as ANTSELO_DRV
7:6	IN_GPIO19_DRV	IN_GPIO19_DRV	IN_GPIO19 driving setting The same as ANTSELO_DRV
5:4	IN_GPIO18_DRV	IN_GPIO18_DRV	IN_GPIO18 driving setting The same as ANTSELO_DRV
3:2	IN_GPIO17_DRV	IN_GPIO17_DRV	IN_GPIO17 driving setting The same as ANTSELO_DRV
1:0	IN_GPIO16_DRV	IN_GPIO16_DRV	IN_GPIO16 driving setting The same as ANTSELO_DRV

8300BoD8 PADDRV3 PAD Driving Control Register3 00000000

Bit	31	30	29	28	27	26	25	24	23	22	21	20	19	18	17	16
Name	IN_GPIO51_DRV		IN_GPIO50_DRV		IN_GPIO49_DRV		IN_GPIO48_DRV		IN_GPIO47_DRV		IN_GPIO46_DRV		IN_GPIO45_DRV		IN_GPIO44_DRV	
Type	RW		RW		RW		RW		RW		RW		RW		RW	
Reset	0	0	0	0	0	0	0	0	0	0	0	0	0	0	0	0
Bit	15	14	13	12	11	10	9	8	7	6	5	4	3	2	1	0
Name	UART_CTS_DRV		UART_RTS_DRV		UART_TX_DRV		UART_RX_DRV		UART_DBG_DRV		GPIO1_DRV		GPIO0_DRV			
Type	RW		RW		RW		RW		RW		RW		RW			
Reset	0	0	0	0	0	0	0	0	0	0	0	0	0	0		

Bit(s)	Mnemonic	Name	Description
31:30	IN_GPIO51_DRV	IN_GPIO51_DRV	IN_GPIO51 driving setting The same as ANTSELO_DRV
29:28	IN_GPIO50_DRV	IN_GPIO50_DRV	IN_GPIO50 driving setting The same as ANTSELO_DRV
27:26	IN_GPIO49_DRV	IN_GPIO49_DRV	IN_GPIO49 driving setting The same as ANTSELO_DRV
25:24	IN_GPIO48_DRV	IN_GPIO48_DRV	IN_GPIO48 driving setting

Bit(s)	Mnemonic	Name	Description
23:22	IN_GPIO47_DRV	IN_GPIO47_DRV	The same as ANTSELo_DRV IN_GPIO47 driving setting
21:20	IN_GPIO46_DRV	IN_GPIO46_DRV	The same as ANTSELo_DRV IN_GPIO46 driving setting
19:18	IN_GPIO45_DRV	IN_GPIO45_DRV	The same as ANTSELo_DRV IN_GPIO45 driving setting
17:16	IN_GPIO44_DRV	IN_GPIO44_DRV	The same as ANTSELo_DRV IN_GPIO44 driving setting
15:14	UART_CTS_DRV	UART_CTS_DRV	The same as ANTSELo_DRV UART_CTS driving setting
13:12	UART_RTS_DRV	UART_RTS_DRV	The same as ANTSELo_DRV UART_RTS driving setting
11:10	UART_TX_DRV	UART_TX_DRV	The same as ANTSELo_DRV UART_TX driving setting
9:8	UART_RX_DRV	UART_RX_DRV	The same as ANTSELo_DRV UART_RX driving setting
7:6	UART_DBG_DRV	UART_DBG_DRV	The same as ANTSELo_DRV UART_DBG driving setting
5:4	GPIO1_DRV	GPIO1_DRV	The same as ANTSELo_DRV GPIO1 driving setting
3:2	GPIOo_DRV	GPIOo_DRV	The same as ANTSELo_DRV GPIOo driving setting

8300BoDC PADDRV4 PAD Driving Control Register4 00000000

Bit	31	30	29	28	27	26	25	24	23	22	21	20	19	18	17	16
Name	IN_ADC6_DRV		IN_ADC5_DRV		IN_ADC4_DRV		BT_LED_B_DRV		WF_LED_B_DRV		BT_RF_DIS_B_DRV		WF_RF_DIS_B_DRV		IN_PWM7_DRV	
Type	RW		RW		RW		RW		RW		RW		RW		RW	
Reset	0	0	0	0	0	0	0	0	0	0	0	0	0	0	0	0
Bit	15	14	13	12	11	10	9	8	7	6	5	4	3	2	1	0
Name	IN_PWM6_DRV		IN_PWM5_DRV		IN_PWM4_DRV		IN_PWM3_DRV		IN_PWM2_DRV		IN_GPIO54_DRV		IN_GPIO53_DRV		IN_GPIO52_DRV	
Type	RW		RW		RW		RW		RW		RW		RW		RW	
Reset	0	0	0	0	0	0	0	0	0	0	0	0	0	0	0	0

Bit(s)	Mnemonic	Name	Description
31:30	IN_ADC6_DRV	IN_ADC6_DRV	IN_ADC6 driving setting The same as ANTSELo_DRV
29:28	IN_ADC5_DRV	IN_ADC5_DRV	IN_ADC5 driving setting The same as ANTSELo_DRV
27:26	IN_ADC4_DRV	IN_ADC4_DRV	IN_ADC4 driving setting The same as ANTSELo_DRV
25:24	BT_LED_B_DRV	BT_LED_B_DRV	BT_LED_B driving setting The same as ANTSELo_DRV
23:22	WF_LED_B_DRV	WF_LED_B_DRV	WF_LED_B driving setting The same as ANTSELo_DRV
21:20	BT_RF_DIS_B_DRV	BT_RF_DIS_B_DRV	BT_RF_DIS_B driving setting The same as ANTSELo_DRV
19:18	WF_RF_DIS_B_DRV	WF_RF_DIS_B_DRV	WF_RF_DIS_B driving setting The same as ANTSELo_DRV
17:16	IN_PWM7_DRV	IN_PWM7_DRV	IN_PWM7 driving setting

Bit(s)	Mnemonic	Name	Description
15:14	IN_PWM6_DRV	IN_PWM6_DRV	The same as ANTSELo_DRV IN_PWM6 driving setting
13:12	IN_PWM5_DRV	IN_PWM5_DRV	The same as ANTSELo_DRV IN_PWM5 driving setting
11:10	IN_PWM4_DRV	IN_PWM4_DRV	The same as ANTSELo_DRV IN_PWM4 driving setting
9:8	IN_PWM3_DRV	IN_PWM3_DRV	The same as ANTSELo_DRV IN_PWM3 driving setting
7:6	IN_PWM2_DRV	IN_PWM2_DRV	The same as ANTSELo_DRV IN_PWM2 driving setting
5:4	IN_GPIO54_DRV	IN_GPIO54_DRV	The same as ANTSELo_DRV IN_GPIO54 driving setting
3:2	IN_GPIO53_DRV	IN_GPIO53_DRV	The same as ANTSELo_DRV IN_GPIO53 driving setting
1:0	IN_GPIO52_DRV	IN_GPIO52_DRV	The same as ANTSELo_DRV IN_GPIO52 driving setting

8300BoEo PADDRV5 PAD Driving Control Register5 00000000

Bit	31	30	29	28	27	26	25	24	23	22	21	20	19	18	17	16
Name	IN_HSPI_N_DRV		SIP_D3_DRV		SIP_D2_DRV		SIP_D1_DRV		SIP_Do_DRV		SIP_CS_DRV		SIP_CK_DRV		IN_ADC15_DRV	
Type	RW		RW		RW		RW		RW		RW		RW		RW	
Reset	0	0	0	0	0	0	0	0	0	0	0	0	0	0	0	0
Bit	15	14	13	12	11	10	9	8	7	6	5	4	3	2	1	0
Name	IN_ADC14_DRV		IN_ADC13_DRV		IN_ADC12_DRV		IN_ADC11_DRV		IN_ADC10_DRV		IN_ADC9_DRV		IN_ADC8_DRV		IN_ADC7_DRV	
Type	RW		RW		RW		RW		RW		RW		RW		RW	
Reset	0	0	0	0	0	0	0	0	0	0	0	0	0	0	0	0

Bit(s)	Mnemonic	Name	Description
31:30	IN_HSPIN_DRV	IN_HSPIN_DRV	IN_HSPIN driving setting The same as ANTSELo_DRV
29:28	SIP_D3_DRV	SIP_D3_DRV	SIP_D3 driving setting The same as ANTSELo_DRV
27:26	SIP_D2_DRV	SIP_D2_DRV	SIP_D2 driving setting The same as ANTSELo_DRV
25:24	SIP_D1_DRV	SIP_D1_DRV	SIP_D1 driving setting The same as ANTSELo_DRV
23:22	SIP_Do_DRV	SIP_Do_DRV	SIP_Do driving setting The same as ANTSELo_DRV
21:20	SIP_CS_DRV	SIP_CS_DRV	SIP_CS driving setting The same as ANTSELo_DRV
19:18	SIP_CK_DRV	SIP_CK_DRV	SIP_CK driving setting The same as ANTSELo_DRV
17:16	IN_ADC15_DRV	IN_ADC15_DRV	IN_ADC15 driving setting The same as ANTSELo_DRV
15:14	IN_ADC14_DRV	IN_ADC14_DRV	IN_ADC14 driving setting The same as ANTSELo_DRV
13:12	IN_ADC13_DRV	IN_ADC13_DRV	IN_ADC13 driving setting The same as ANTSELo_DRV
11:10	IN_ADC12_DRV	IN_ADC12_DRV	IN_ADC12 driving setting The same as ANTSELo_DRV

Bit(s)	Mnemonic	Name	Description
9:8	IN_ADC11_DRV	IN_ADC11_DRV	IN_ADC11 driving setting The same as ANTSELO_DRV
7:6	IN_ADC10_DRV	IN_ADC10_DRV	IN_ADC10 driving setting The same as ANTSELO_DRV
5:4	IN_ADC9_DRV	IN_ADC9_DRV	IN_ADC9 driving setting The same as ANTSELO_DRV
3:2	IN_ADC8_DRV	IN_ADC8_DRV	IN_ADC8 driving setting The same as ANTSELO_DRV
1:0	IN_ADC7_DRV	IN_ADC7_DRV	IN_ADC7 driving setting The same as ANTSELO_DRV

8300BoFo PADCTRL1 **PAD Control Register1** **00000010**

Bit	31	30	29	28	27	26	25	24	23	22	21	20	19	18	17	16	
Name																	
Type																	
Reset																	
Bit	15	14	13	12	11	10	9	8	7	6	5	4	3	2	1	0	
Name										GPIO_SR	TDSEL				RDSEL		
Type										RW	RW				RW		
Reset										0	0	1	0	0	0	0	0

Bit(s)	Mnemonic	Name	Description
6	GPIO_SR	GPIO_SR	GPIO PADS slew rate control 1: Slow 0: Fast Related PADS: All PADS except for PAD_SDIO_XXX
5:2	TDSEL	TDSEL	PAD TD selection Related PADS: All PADS except for PAD_SDIO_XXX
1:0	RDSEL	RDSEL	PAD RD selection Related PADS: All PADS except for PAD_SDIO_XXX

8300BoF4 PADCTRL2 **PAD Control Register2** **00000000**

Bit	31	30	29	28	27	26	25	24	23	22	21	20	19	18	17	16
Name	Reserved															
Type	RW															
Reset	0	0	0	0	0	0	0	0	0	0	0	0	0	0	0	0
Bit	15	14	13	12	11	10	9	8	7	6	5	4	3	2	1	0
Name	Reserved															
Type	RW															
Reset	0	0	0	0	0	0	0	0	0	0	0	0	0	0	0	0

Bit(s)	Mnemonic	Name	Description
31:0	Reserved	Reserved	

8300B100 PAD GPIO IESo GPIO PAD IES Control Register o 07FFFFFF

Bit	31	30	29	28	27	26	25	24	23	22	21	20	19	18	17	16
Name						CLK_REQ_N_IES	WAKE_N_IES	PERST_N_IES	IN_UARTo_TXD_IES	IN_GPIO22_IES	IN_GPIO21_IES	IN_GPIO20_IES	IN_GPIO19_IES	IN_GPIO18_IES	IN_GPIO17_IES	IN_GPIO16_IES
Type						RW	RW	RW	RW	RW	RW	RW	RW	RW	RW	RW
Reset						1	1	1	1	1	1	1	1	1	1	1
Bit	15	14	13	12	11	10	9	8	7	6	5	4	3	2	1	0
Name	IN_GPIO15_IES	IN_GPIO14_IES	IN_GPIO13_IES	IN_GPIO12_IES	IN_GPIO11_IES	IN_GPIO10_IES	IN_GPIO9_IES	IN_GPIO8_IES	AN_TS_EL7_IES	AN_TS_EL6_IES	AN_TS_EL5_IES	AN_TS_EL4_IES	AN_TS_EL3_IES	AN_TS_EL2_IES	AN_TS_EL1_IES	AN_TS_EL0_IES
Type	RW	RW	RW	RW	RW	RW	RW	RW	RW	RW	RW	RW	RW	RW	RW	RW
Reset	1	1	1	1	1	1	1	1	1	1	1	1	1	1	1	1

Bit(s)	Mnemonic	Name	Description
26	CLK_REQ_N_IES	CLK_REQ_N_IES	PAD CLK_REQ_N input enable signal control register 1: Enable 0: Disable
25	WAKE_N_IES	WAKE_N_IES	PAD WAKE_N input enable signal control register 1: Enable 0: Disable
24	PERST_N_IES	PERST_N_IES	PAD PERST_N input enable signal control register 1: Enable 0: Disable
23	IN_UARTo_TXD_IES	IN_UARTo_TXD_IES	PAD IN_UARTo_TXD input enable signal control register 1: Enable 0: Disable
22	IN_GPIO22_IES	IN_GPIO22_IES	PAD IN_GPIO22 input enable signal control register 1: Enable 0: Disable
21	IN_GPIO21_IES	IN_GPIO21_IES	PAD IN_GPIO21 input enable signal control register 1: Enable 0: Disable
20	IN_GPIO20_IES	IN_GPIO20_IES	PAD IN_GPIO20 input enable signal control register 1: Enable 0: Disable
19	IN_GPIO19_IES	IN_GPIO19_IES	PAD IN_GPIO19 input enable signal control

Bit(s)	Mnemonic	Name	Description
18	IN_GPIO18_IES	IN_GPIO18_IES	register 1: Enable 0: Disable PAD IN_GPIO18 input enable signal control register
17	IN_GPIO17_IES	IN_GPIO17_IES	register 1: Enable 0: Disable PAD IN_GPIO17 input enable signal control register
16	IN_GPIO16_IES	IN_GPIO16_IES	register 1: Enable 0: Disable PAD IN_GPIO16 input enable signal control register
15	IN_GPIO15_IES	IN_GPIO15_IES	register 1: Enable 0: Disable PAD IN_GPIO15 input enable signal control register
14	IN_GPIO14_IES	IN_GPIO14_IES	register 1: Enable 0: Disable PAD IN_GPIO14 input enable signal control register
13	IN_GPIO13_IES	IN_GPIO13_IES	register 1: Enable 0: Disable PAD IN_GPIO13 input enable signal control register
12	IN_GPIO12_IES	IN_GPIO12_IES	register 1: Enable 0: Disable PAD IN_GPIO12 input enable signal control register
11	IN_GPIO11_IES	IN_GPIO11_IES	register 1: Enable 0: Disable PAD IN_GPIO11 input enable signal control register
10	IN_GPIO10_IES	IN_GPIO10_IES	register 1: Enable 0: Disable PAD IN_GPIO10 input enable signal control register
9	IN_GPIO9_IES	IN_GPIO9_IES	register 1: Enable 0: Disable PAD IN_GPIO9 input enable signal control register
8	IN_GPIO8_IES	IN_GPIO8_IES	register 1: Enable 0: Disable PAD IN_GPIO8 input enable signal control register
7	ANTSEL7_IES	ANTSEL7_IES	register 1: Enable 0: Disable PAD ANTSEL7 input enable signal control register
6	ANTSEL6_IES	ANTSEL6_IES	register 1: Enable 0: Disable PAD ANTSEL6 input enable signal control register
5	ANTSEL5_IES	ANTSEL5_IES	register 1: Enable 0: Disable PAD ANTSEL5 input enable signal control register
4	ANTSEL4_IES	ANTSEL4_IES	register 1: Enable 0: Disable PAD ANTSEL4 input enable signal control register

Bit(s)	Mnemonic	Name	Description
3	ANTSEL3_IES	ANTSEL3_IES	register 1: Enable 0: Disable PAD ANTSEL3 input enable signal control
2	ANTSEL2_IES	ANTSEL2_IES	register 1: Enable 0: Disable PAD ANTSEL2 input enable signal control
1	ANTSEL1_IES	ANTSEL1_IES	register 1: Enable 0: Disable PAD ANTSEL1 input enable signal control
0	ANTSELo_IES	ANTSELo_IES	register 1: Enable 0: Disable PAD ANTSELo input enable signal control

8300B104 PAD GPIO IES1 GPIO PAD IES Control Register 1 FFFFFFFE

Bit	31	30	29	28	27	26	25	24	23	22	21	20	19	18	17	16
Name	IN_A DC 6_I ES	IN_A DC 5_I ES	IN_A DC 4_I ES	BT_L ED _B _IE S	WF_L ED _B _IE S	BT_R F_DIS _B _IE S	WF_R F_DIS _B _IE S	IN_P W M7 _IE S	IN_P W M6 _IE S	IN_P W M5 _IE S	IN_P W M4 _IE S	IN_P W M3 _IE S	IN_P W M2 _IE S	IN_G PIO 54_I ES	IN_G PIO 53_I ES	IN_G PIO 52_I ES
Type	RW	RW	RW	RW	RW	RW	RW	RW	RW	RW	RW	RW	RW	RW	RW	RW
Reset	1	1	1	1	1	1	1	1	1	1	1	1	1	1	1	1
Bit	15	14	13	12	11	10	9	8	7	6	5	4	3	2	1	0
Name	IN_G PIO 51_I ES	IN_G PIO 50_I ES	IN_G PIO 49_I ES	IN_G PIO 48_I ES	IN_G PIO 47_I ES	IN_G PIO 46_I ES	IN_G PIO 45_I ES	IN_G PIO 44_I ES	UA_RT C_TS _IE S	UA_RT R_TS _IE S	UA_RT T_X_I ES	UA_RT R_X_I ES	UA_RT D_BG _IE S	GPI_O1 _IE S	GPI_O0 _IE S	
Type	RW	RW	RW	RW	RW	RW	RW	RW	RW	RW	RW	RW	RW	RW	RW	
Reset	1	1	1	1	1	1	1	1	1	1	1	1	1	1	1	

Bit(s)	Mnemonic	Name	Description
31	IN_ADC6_IES	IN_ADC6_IES	PAD IN_ADC6 input enable signal control register 1: Enable 0: Disable
30	IN_ADC5_IES	IN_ADC5_IES	PAD IN_ADC5 input enable signal control register 1: Enable 0: Disable
29	IN_ADC4_IES	IN_ADC4_IES	PAD IN_ADC4 input enable signal control register 1: Enable 0: Disable

Bit(s)	Mnemonic	Name	Description
28	BT_LED_B_IES	BT_LED_B_IES	PAD BT_LED_B input enable signal control register 1: Enable 0: Disable
27	WF_LED_B_IES	WF_LED_B_IES	PAD WF_LED_B input enable signal control register 1: Enable 0: Disable
26	BT_RF_DIS_B_IES	BT_RF_DIS_B_IES	PAD BT_RF_DIS_B input enable signal control register 1: Enable 0: Disable
25	WF_RF_DIS_B_IES	WF_RF_DIS_B_IES	PAD WF_RF_DIS_B input enable signal control register 1: Enable 0: Disable
24	IN_PWM7_IES	IN_PWM7_IES	PAD IN_PWM7 input enable signal control register 1: Enable 0: Disable
23	IN_PWM6_IES	IN_PWM6_IES	PAD IN_PWM6 input enable signal control register 1: Enable 0: Disable
22	IN_PWM5_IES	IN_PWM5_IES	PAD IN_PWM5 input enable signal control register 1: Enable 0: Disable
21	IN_PWM4_IES	IN_PWM4_IES	PAD IN_PWM4 input enable signal control register 1: Enable 0: Disable
20	IN_PWM3_IES	IN_PWM3_IES	PAD IN_PWM3 input enable signal control register 1: Enable 0: Disable
19	IN_PWM2_IES	IN_PWM2_IES	PAD IN_PWM2 input enable signal control register 1: Enable 0: Disable
18	IN_GPIO54_IES	IN_GPIO54_IES	PAD IN_GPIO54 input enable signal control register 1: Enable 0: Disable
17	IN_GPIO53_IES	IN_GPIO53_IES	PAD IN_GPIO53 input enable signal control register 1: Enable 0: Disable
16	IN_GPIO52_IES	IN_GPIO52_IES	PAD IN_GPIO52 input enable signal control register 1: Enable 0: Disable
15	IN_GPIO51_IES	IN_GPIO51_IES	PAD IN_GPIO51 input enable signal control register 1: Enable 0: Disable
14	IN_GPIO50_IES	IN_GPIO50_IES	PAD IN_GPIO50 input enable signal control register 1: Enable 0: Disable

Bit(s)	Mnemonic	Name	Description
13	IN_GPIO49_IES	IN_GPIO49_IES	PAD IN_GPIO49 input enable signal control register 1: Enable 0: Disable
12	IN_GPIO48_IES	IN_GPIO48_IES	PAD IN_GPIO48 input enable signal control register 1: Enable 0: Disable
11	IN_GPIO47_IES	IN_GPIO47_IES	PAD IN_GPIO47 input enable signal control register 1: Enable 0: Disable
10	IN_GPIO46_IES	IN_GPIO46_IES	PAD IN_GPIO46 input enable signal control register 1: Enable 0: Disable
9	IN_GPIO45_IES	IN_GPIO45_IES	PAD IN_GPIO45 input enable signal control register 1: Enable 0: Disable
8	IN_GPIO44_IES	IN_GPIO44_IES	PAD IN_GPIO44 input enable signal control register 1: Enable 0: Disable
7	UART_CTS_IES	UART_CTS_IES	PAD UART_CTS input enable signal control register 1: Enable 0: Disable
6	UART_RTS_IES	UART_RTS_IES	PAD UART_RTS input enable signal control register 1: Enable 0: Disable
5	UART_TX_IES	UART_TX_IES	PAD UART_TX input enable signal control register 1: Enable 0: Disable
4	UART_RX_IES	UART_RX_IES	PAD UART_RX input enable signal control register 1: Enable 0: Disable
3	UART_DBG_IES	UART_DBG_IES	PAD UART_DBG input enable signal control register 1: Enable 0: Disable
2	GPIO1_IES	GPIO1_IES	PAD GPIO1 input enable signal control register 1: Enable 0: Disable
1	GPIO0_IES	GPIO0_IES	PAD GPIO0 input enable signal control register 1: Enable 0: Disable

8300B108 PAD_GPIO_IES2 GPIO PAD IES Control Register 2 0000FFFF

Bit	31	30	29	28	27	26	25	24	23	22	21	20	19	18	17	16
Name																
Type																

Reset																
Bit	15	14	13	12	11	10	9	8	7	6	5	4	3	2	1	0
Name	IN_HSPIN_IES	SIP_D3_IES	SIP_D2_IES	SIP_D1_IES	SIP_Do_IES	SIP_CS_IES	SIP_CK_IES	IN_ADC15_IES	IN_ADC14_IES	IN_ADC13_IES	IN_ADC12_IES	IN_ADC11_IES	IN_ADC10_IES	IN_ADC9_IES	IN_ADC8_IES	IN_ADC7_IES
Type	RW	RW	RW	RW	RW	RW	RW	RW	RW	RW	RW	RW	RW	RW	RW	RW
Reset	1	1	1	1	1	1	1	1	1	1	1	1	1	1	1	1

Bit(s)	Mnemonic	Name	Description
15	IN_HSPIN_IES	IN_HSPIN_IES	PAD IN_HSPIN input enable signal control register 1: Enable 0: Disable
14	SIP_D3_IES	SIP_D3_IES	PAD SIP_D3 input enable signal control register 1: Enable 0: Disable
13	SIP_D2_IES	SIP_D2_IES	PAD SIP_D2 input enable signal control register 1: Enable 0: Disable
12	SIP_D1_IES	SIP_D1_IES	PAD SIP_D1 input enable signal control register 1: Enable 0: Disable
11	SIP_Do_IES	SIP_Do_IES	PAD SIP_Do input enable signal control register 1: Enable 0: Disable
10	SIP_CS_IES	SIP_CS_IES	PAD SIP_CS input enable signal control register 1: Enable 0: Disable
9	SIP_CK_IES	SIP_CK_IES	PAD SIP_CK input enable signal control register 1: Enable 0: Disable
8	IN_ADC15_IES	IN_ADC15_IES	PAD IN_ADC15 input enable signal control register 1: Enable 0: Disable
7	IN_ADC14_IES	IN_ADC14_IES	PAD IN_ADC14 input enable signal control register 1: Enable 0: Disable
6	IN_ADC13_IES	IN_ADC13_IES	PAD IN_ADC13 input enable signal control register 1: Enable 0: Disable
5	IN_ADC12_IES	IN_ADC12_IES	PAD IN_ADC12 input enable signal control register 1: Enable 0: Disable
4	IN_ADC11_IES	IN_ADC11_IES	PAD IN_ADC11 input enable signal control register 1: Enable

Bit(s)	Mnemonic	Name	Description
3	IN_ADC10_IES	IN_ADC10_IES	0: Disable PAD IN_ADC10 input enable signal control register 1: Enable
2	IN_ADC9_IES	IN_ADC9_IES	0: Disable PAD IN_ADC9 input enable signal control register 1: Enable
1	IN_ADC8_IES	IN_ADC8_IES	0: Disable PAD IN_ADC8 input enable signal control register 1: Enable
0	IN_ADC7_IES	IN_ADC7_IES	0: Disable PAD IN_ADC7 input enable signal control register 1: Enable 0: Disable

2.5.2 UART Interface

MT76X7 has two UART interfaces. The UART has M16C450 and M16550A modes of operation, which are compatible with a range of standard software drivers. MT76X7 supports UART with configurable BAUD rates from 9.6Kbps, 19.2Kbps, 38.4Kbps, 115.2Kbps, and 921.6Kbps.

2.5.2.1 General Description

The UARTs provide full duplex serial communication channels between bluetooth chip and external devices. The UART has M16C450 and M16550A modes of operation, which are compatible with a range of standard software drivers. The extensions have been designed to be broadly software compatible with 16550A variants, but certain areas offer no consensus.

In compliance with the UART standard M16550A, the UART supports word lengths from five to eight bits, an optional parity bit and one or two stop bits, and is fully programmable by an 8-bit CPU interface. A 16-bit programmable baud rate generator and an 8-bit scratch register are included, together with separate transmit and receive FIFOs. Eight modem control lines and a diagnostic loop-back mode are provided. The UART also includes two DMA handshake lines, used to indicate when the FIFOs are ready to transfer data to the CPU. Interrupts can be generated from any of the 10 sources.

After a hardware reset, the UART is in M16C450 mode. Its FIFOs can be enabled and the UART can then enter M16550A mode. The UART adds further functionality beyond M16550A mode. Each of the extended functions can be selected individually under software control.

The UART provides more powerful enhancements than the industry-standard 16550:

- **Hardware flow control:** Use two dedicated signals, clear to send(CTS) and request to send(RTS) signals, to indicate ready to get data or send data. When CTS is low, UART can start to transmit data. As long as CTS is active, UART is not allowed to send data. RTS goes low means UART FIFO in received circuit is sufficient to receive data. UART is not allowed to receive data when RTS is high. As This feature is very useful when the ISR latency is hard to predict and control in the embedded applications. The MCU is relieved of having to fetch the received data within a fixed amount of time.
- **Software flow control:** Use special character Xon/Xoff to do software flow control. The special character Xon/Xoff is software programmable. When Xoff is received, UART transmission is halted. When Xon is received, transmission is resumed.

The supported maximal baud rate is up to 4Mbps when UART crystal clock is operated in 26MHz.

To enable any of the enhancements, the Enhanced Mode bit, EFR[4], must be set. If EFR[4] is not set, IER[7:5], FCR[5:4], ISR[5:4] and MCR[7:6] cannot be written. The Enhanced Mode bit ensures that the UART is backward compatible with software that has been written for 16C450 and 16550A devices. Refer to Figure 2-42 below.

When the oversampling ratio between UART clock and baud rate is less than 8, it is necessary to enable guard time function in customer’s UART TX device to make our UART RX work properly. Otherwise, it a frame error could and corrupt the received data.

The UART IP is controlled by APB interface. Through APB interface, we can set the baud rate by baud rate generator which is divided by crystal clock frequency. The Tx data is pushed into the TX FIFO, and waits for sending by TX machine. The Rx data is received by RX machine and pushed into RX FIFO. The UART IP can be controlled by DMA or MCU directly.

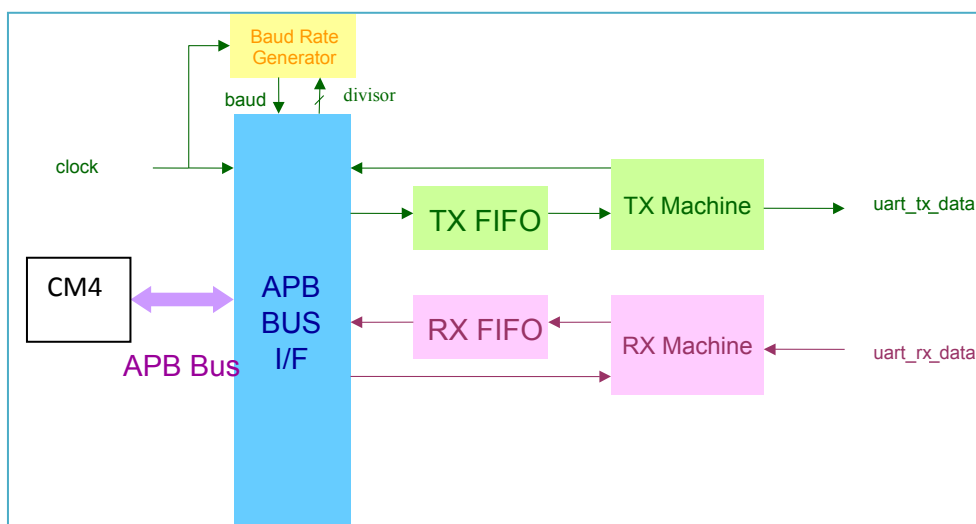


Figure 2-42. UART Block Diagram

2.5.2.2 Programming guide

The following is the example of UART 1 programming sequence. It can support dynamically calculated CR settings for different xtal frequency and baud rate.

```

DRV_WriteReg32(0x83030024, 0x00000003); //high speed mode 3
DRV_WriteReg32(0x83030028, 0x000000ac); // = xtal freq/baud rate-1
DRV_WriteReg32(0x8303002C, 0x00000056); // = xtal freq/2/baud rate
DRV_WriteReg32(0x8303003C, 0x00000012); //set only when guard time is required
DRV_WriteReg32(0x8303004C, 0x00000001); //set only when DMA enable
DRV_WriteReg32(0x83030054, 0x00000000); //baud rate adjust
DRV_WriteReg32(0x83030058, 0x00000001); //baud rate adjust
DRV_WriteReg32(0x8303000C, 0x000000BF); //switch CR meaning
DRV_WriteReg32(0x83030000, 0x00000001); //baud rate setting
DRV_WriteReg32(0x83030008, 0x00000010); //enable enhancement feature
DRV_WriteReg32(0x8303000C, 0x00000003); //switch CR meaning back
DRV_WriteReg32(0x83030008, 0x00000031); //enable FIFO and TX threshold=14
    
```

2.5.2.3 Register Map

In the UART register map, certain CRs are shared with multiple meanings. These CRs with multiple meanings are switched by LCR register. The orange blocks are set by LCR[7], and the blue blocks are controlled by LCR value(UART_BASE+0xC).

Table 2-41. Register Map with Conditional CR (LCR)

Address	Condition 1	Condition 2
	LCR[7]==0	LCR[7]==1
UART_BASE+0x00	Tx holding register/rx buffer register	Divisor Latch (LS)
UART_BASE+0x04	Interrupt Enable Register	Divisor Latch (MS)
	LCR != 0xBF	LCR == 0xBF
UART_BASE+0x08	FIFO Control Register/ Interrupt Identification Register	Enhanced Feature Register
UART_BASE+0x0C	Line Control Register	

Address	Condition 1	Condition 2
UART_BASE+0x10	Modem Control Register	XON1
UART_BASE+0x14	Line Status Register	XON2
UART_BASE+0x18	Modem Status Register	XOFF1
UART_BASE+0x1C	Scratch Register	XOFF2
UART_BASE+0x24	HIGH SPEED UART	
UART_BASE+0x28	SAMPLE_COUNT	
UART_BASE+0x2C	SAMPLE_POINT	
UART_BASE+0x34	Rate Fix Address	
UART_BASE+0x3C	Guard time added register	
UART_BASE+0x40	Escape character register	
UART_BASE+0x44	Escape enable register	
UART_BASE+0x48	Sleep enable register	
UART_BASE+0x4C	Virtual FIFO enable register	
UART_BASE+0x50	Rx Trigger Address	
UART_BASE+0x54	Fractional Divider LSB Address	
UART_BASE+0x58	Fractional Divider MSB Address	
UART_BASE+0x5C	FIFO Control Register	
UART_BASE+0x60	TX Active Enable Address	

2.5.2.4 Register Definitions

2.5.2.4.1 UART0

Module name: uarto Base address: (+83030000h)

Address	Name	Width	Register Function
83030000	<u>RBR</u>	32	RX Buffer Register
83030000	<u>THR</u>	32	TX Holding Register
83030004	<u>IER</u>	32	Interrupt Enable Register
83030008	<u>IIR</u>	32	Interrupt Identification Register

Address	Name	Width	Register Function
83030008	<u>FCR</u>	32	FIFO Control Register
8303000C	<u>LCR</u>	32	Line Control Register.
83030010	<u>MCR</u>	32	Modem Control Register.
83030014	<u>LSR</u>	32	Line Status Register.
83030018	<u>MSR</u>	32	Modem status register.
8303001C	<u>SCR</u>	32	Scratch Register
83030000	<u>DLL</u>	32	Divisor Latch (LS)
83030004	<u>DLM</u>	32	Divisor Latch (MS)
83030008	<u>EFR</u>	32	Enhanced Feature Register
83030010	<u>XON1</u>	32	software flow control on 1
83030014	<u>XON2</u>	32	software flow control on 2
83030018	<u>XOFF1</u>	32	software flow control off 1
8303001C	<u>XOFF2</u>	32	software flow control off 2
83030024	<u>HIGHSPEED</u>	32	HIGH SPEED UART
83030028	<u>SAMPLE_COUNT</u>	32	sample count
8303002C	<u>SAMPLE_POINT</u>	32	sample point
83030034	<u>rate_fix</u>	32	Rate Fix Address
8303003C	<u>GUARD</u>	32	Guard time added register
83030040	<u>ESCAPE_DAT</u>	32	Escape character register
83030044	<u>ESCAPE_EN</u>	32	Escape enable register
83030048	<u>SLEEP_EN</u>	32	Sleep enable register
8303004C	<u>VFIFO_EN</u>	32	Virtual FIFO enable register
83030050	<u>RXTRIG</u>	32	Rx Trigger Address
83030054	<u>FRACDIV_L</u>	32	Fractional Divider LSB Address
83030058	<u>FRACDIV_M</u>	32	Fractional Divider MSB Address
8303005C	<u>FCR_RD</u>	32	FIFO Control Register
83030060	<u>tx_active_en</u>	32	TX Active Enable Address
83030068	<u>RX_OFFSET</u>	32	RX OFFSET
8303006C	<u>TX_OFFSET</u>	32	TX OFFSET

83030000 RBR			RX Buffer Register													00000000		
Bit	31	30	29	28	27	26	25	24	23	22	21	20	19	18	17	16		
Name																		
Type																		
Reset																		
Bit	15	14	13	12	11	10	9	8	7	6	5	4	3	2	1	0		
Name									RBR									

Type										RU								
Reset										0	0	0	0	0	0	0	0	0

Bit(s)	Name	Description
7:0	RBR	RX Buffer Register. Read-only register. The received data can be read by accessing this register. Modified when LCR[7] = 0.

83030000 THR										TX Holding Register						00000000			
Bit	31	30	29	28	27	26	25	24	23	22	21	20	19	18	17	16			
Name																			
Type																			
Reset																			
Bit	15	14	13	12	11	10	9	8	7	6	5	4	3	2	1	0			
Name									THR										
Type									WO										
Reset									0	0	0	0	0	0	0	0			

Bit(s)	Name	Description
7:0	THR	TX Holding Register. Write-only register. The data to be transmitted is written to this register, and then sent to the PC via serial communication. Modified when LCR[7] = 0.

83030004 IER										Interrupt Enable Register						00000000			
Bit	31	30	29	28	27	26	25	24	23	22	21	20	19	18	17	16			
Name																			
Type																			
Reset																			
Bit	15	14	13	12	11	10	9	8	7	6	5	4	3	2	1	0			
Name									CT SI	RT SI	XO FFI		ED SSI	EL SI	ET BEI	ER BFI			
Type									RW	RW	RW		RW	RW	RW	RW			
Reset									0	0	0		0	0	0	0			

Bit(s)	Name	Description
7	CTSI	By storing a '1' to a specific bit position, the interrupt associated with that bit is enabled. Otherwise, the interrupt is disabled. IER[3:0] are modified when LCR[7] = 0.

Bit(s)	Name	Description
		IER[7:4] are modified when LCR[7] = 0 & EFR[4] = 1
6	RTSI	Masks an interrupt that is generated when a rising edge is detected on the CTS modem control line. Note: This interrupt is only enabled when hardware flow control is enabled. 0 Unmask an interrupt that is generated when a rising edge is detected on the CTS modem control line. 1 Mask an interrupt that is generated when a rising edge is detected on the CTS modem control line. Masks an interrupt that is generated when a rising edge is detected on the RTS modem control line. Note: This interrupt is only enabled when hardware flow control is enabled. 0 Unmask an interrupt that is generated when a rising edge is detected on the RTS modem control line. 1 Mask an interrupt that is generated when a rising edge is detected on the RTS modem control line.
5	XOFFFI	Masks an interrupt that is generated when an XOFF character is received. Note: This interrupt is only enabled when software flow control is enabled. 0 Unmask an interrupt that is generated when an XOFF character is received. 1 Mask an interrupt that is generated when an XOFF character is received.
3	EDSSI	When set ("1"), an interrupt is generated if DDCD, TERI, DDSR or DCTS (MSR[4:1]) becomes set. 0 No interrupt is generated if DDCD, TERI, DDSR or DCTS (MSR[4:1]) becomes set. 1 An interrupt is generated if DDCD, TERI, DDSR or DCTS (MSR[4:1]) becomes set.
2	ELSI	When set ("1"), an interrupt is generated if BI, FE, PE or OE (LSR[4:1]) becomes set. 0 No interrupt is generated if BI, FE, PE or OE (LSR[4:1]) becomes set. 1 An interrupt is generated if BI, FE, PE or OE (LSR[4:1]) becomes set.
1	ETBEI	When set ("1"), an interrupt is generated if the TX Holding Register is empty or the contents of the TX FIFO have been reduced to its Trigger Level. 0 No interrupt is generated if the TX Holding Register is empty or the contents of the TX FIFO have been reduced to its Trigger Level. 1 An interrupt is generated if the TX Holding Register is empty or the contents of the TX FIFO have been reduced to its Trigger Level
0	ERBFI	When set ("1"), an interrupt is generated if the RX Buffer contains data. 0 No interrupt is generated if the RX Buffer contains data. 1 An interrupt is generated if the RX Buffer contains data.

83030008 IIR **Interrupt Identification Register** **00000001**

Bit	31	30	29	28	27	26	25	24	23	22	21	20	19	18	17	16
Name																
Type																
Reset																

Bit	15	14	13	12	11	10	9	8	7	6	5	4	3	2	1	0
Name									FIFOE		IIR_ID					
Type									RO		RO					
Reset									0	0	0	0	0	0	0	1

Bit(s)	Name	Description																																				
7:6	FIFOE	fifo enable																																				
5:0	IIR_ID	<p>Identify if there are pending interrupts; ID4 and ID3 are presented only when EFR[4] = 1.</p> <p>The following table gives the IIR[5:0] codes associated with the possible interrupts:</p> <table border="1"> <thead> <tr> <th>IIR[5:0]</th> <th>Priority Level</th> <th>Interrupt</th> <th>Source</th> </tr> </thead> <tbody> <tr> <td>000001</td> <td>-</td> <td>No interrupt pending</td> <td></td> </tr> <tr> <td>000110</td> <td>1</td> <td>Line Status Interrupt</td> <td>BI, FE, PE or OE set in LSR</td> </tr> <tr> <td>000100</td> <td>2</td> <td>RX Data Received</td> <td>RX Data</td> </tr> <tr> <td>001100</td> <td>2</td> <td>RX Data Timeout</td> <td>Timeout on character in RX FIFO.</td> </tr> <tr> <td>000010</td> <td>3</td> <td>TX Holding Register Empty</td> <td>TX Holding Register empty or TX FIFO Trigger Level reached.</td> </tr> <tr> <td>000000</td> <td>4</td> <td>Modem Status change</td> <td>DDCD, TERI, DDSR or DCTS set in MSR</td> </tr> <tr> <td>010000</td> <td>5</td> <td>Software Flow Control</td> <td>XOFF</td> </tr> <tr> <td>100000</td> <td>6</td> <td>Hardware Flow Control</td> <td>CTS or RTS</td> </tr> </tbody> </table> <p>Rising Edge</p> <p>Table 1 The IIR[5:0] codes associated with the possible interrupts</p> <p>Line Status Interrupt: A RX Line Status Interrupt (IIR[5:0] == 000110b) is generated if ELSI (IER[2]) is set and any of BI, FE, PE or OE (LSR[4:1]) becomes set. The interrupt is cleared by reading the Line Status Register.</p> <p>RX Data Received Interrupt: A RX Received interrupt (IER[5:0] == 000100b) is generated if EFRBI (IER[0]) is set and either RX Data is placed in the RX Buffer Register or the RX Trigger Level is reached. The interrupt is cleared by reading the RX Buffer Register or the RX FIFO (if enabled).</p> <p>RX Data Timeout Interrupt:</p> <p>When virtual FIFO mode is disabled, RX Data Timeout Interrupt is generated if all of the following apply:</p> <ol style="list-style-type: none"> 1. FIFO contains at least one character; 2. The most recent character was received longer than four character periods ago (including all start, parity and stop bits); 3. The most recent CPU read of the FIFO was longer than four character periods ago. <p>The timeout timer is restarted on receipt of a new byte from the RX Shift Register, or on a CPU read from the RX FIFO.</p> <p>The RX Data Timeout Interrupt is enabled by setting EFRBI (IER[0]) to 1, and is cleared by reading RX FIFO.</p> <p>When virtual FIFO mode is enabled, RX Data Timeout Interrupt is generated if all of the following apply:</p> <ol style="list-style-type: none"> 1. FIFO is non-empty; 2. The most recent character was received longer than SCR * symbol periods ago; 3. The most recent CPU read of the FIFO was longer than SCR * symbol periods ago. <p>The timeout timer is restarted on receipt of a new byte from the RX</p>	IIR[5:0]	Priority Level	Interrupt	Source	000001	-	No interrupt pending		000110	1	Line Status Interrupt	BI, FE, PE or OE set in LSR	000100	2	RX Data Received	RX Data	001100	2	RX Data Timeout	Timeout on character in RX FIFO.	000010	3	TX Holding Register Empty	TX Holding Register empty or TX FIFO Trigger Level reached.	000000	4	Modem Status change	DDCD, TERI, DDSR or DCTS set in MSR	010000	5	Software Flow Control	XOFF	100000	6	Hardware Flow Control	CTS or RTS
IIR[5:0]	Priority Level	Interrupt	Source																																			
000001	-	No interrupt pending																																				
000110	1	Line Status Interrupt	BI, FE, PE or OE set in LSR																																			
000100	2	RX Data Received	RX Data																																			
001100	2	RX Data Timeout	Timeout on character in RX FIFO.																																			
000010	3	TX Holding Register Empty	TX Holding Register empty or TX FIFO Trigger Level reached.																																			
000000	4	Modem Status change	DDCD, TERI, DDSR or DCTS set in MSR																																			
010000	5	Software Flow Control	XOFF																																			
100000	6	Hardware Flow Control	CTS or RTS																																			

Bit(s)	Name	Description
		Shift Register.
		RX Holding Register Empty Interrupt: A TX Holding Register Empty Interrupt (IIR[5:0] = 000010b) is generated if ETRBI (IER[1]) is set and either the TX Holding Register or, if FIFOs are enabled, the TX FIFO becomes empty. The interrupt is cleared by writing to the TX Holding Register or TX FIFO if FIFO enabled.
		Modem Status Change Interrupt: A Modem Status Change Interrupt (IIR[5:0] = 000000b) is generated if EDSSI (IER[3]) is set and either DDCD, TERI, DDSR or DCTS (MSR[3:0]) becomes set. The interrupt is cleared by reading the Modem Status Register.
		Software Flow Control Interrupt: A Software Flow Control Interrupt (IIR[5:0] = 010000b) is generated if Software Flow Control is enabled and XOFFI (IER[5]) becomes set, indicating that an XOFF character has been received. The interrupt is cleared by reading the Interrupt Identification Register.
		Hardware Flow Control Interrupt: A Hardware Flow Control Interrupt (IER[5:0] = 100000b) is generated if Hardware Flow Control is enabled and either RTSI (IER[6]) or CTSI (IER[7]) becomes set indicating that a rising edge has been detected on either the RTS/CTS Modem Control line. The interrupt is cleared by reading the Interrupt Identification Register.

83030008 FCR **FIFO Control Register** **00000000**

Bit	31	30	29	28	27	26	25	24	23	22	21	20	19	18	17	16
Name																
Type																
Reset																
Bit	15	14	13	12	11	10	9	8	7	6	5	4	3	2	1	0
Name									RFTL		TFTL		DM A1	CL RT	CL RR	FIFOE
Type									WO		WO		WO	WO	WO	WO
Reset									0	0	0	0	0	0	0	0

Bit(s)	Name	Description
7:6	RFTL	RX FIFO trigger threshold 0 1 1 6 2 12 3 RXTRIG
5:4	TFTL	TX FIFO trigger threshold 0 1 1 4 2 8 3 14 (FIFOSIZE - 2)
3	DMA1	This bit determines the DMA mode, which the TXRDY and RXRDY pins support. TXRDY and RXRDY act to support single-byte transfers between the UART and memory (DMA mode 0) or multiple byte transfers (DMA mode 1). Note that this bit has no effect unless the FIFOE bit is set as well. 0 The device operates in DMA Mode 0.

Bit(s)	Name	Description
		1 The device operates in DMA Mode 1. (not used) TXRDY - mode0: Goes active (low) when TX FIFO is not full. Becomes inactive when the TX FIFO is full. TXRDY - mode1: Goes active (low) when the TX FIFO or the TX Holding Register is empty. Becomes inactive when a byte is written to the Transmit channel. RXRDY - mode0: Becomes active (low) when at least one character is in the RX FIFO or the RX Buffer Register is full. Becomes inactive when there are no more characters in the RX FIFO or RX Buffer register. RXRDY - mode1: Becomes active (low) when the RX FIFO Trigger Level is reached or an RX FIFO Character Timeout occurs. Goes inactive when the RX FIFO is empty.
2	CLRT	Clear Transmit FIFO. This bit is self-clearing. 0 Leave TX FIFO intact.
1	CLRR	1 Clear all the bytes in the TX FIFO. Clear Receive FIFO. This bit is self-clearing. 0 Leave RX FIFO intact.
0	FIFOE	1 Clear all the bytes in the RX FIFO. FIFO Enabled. This bit must be set to 1 for any of the other bits in the registers to have any effect. 0 Disable both the RX and TX FIFOs. 1 Enable both the RX and TX FIFOs. FCR is used to control the trigger levels of the FIFOs, or flush the FIFOs. FCR[7:6] is modified when LCR != BFh FCR[5:4] is modified when LCR != BFh & EFR[4] = 1 FCR[4:0] is modified when LCR != BFh

8303000C LCR															Line Control Register.				00000000			
Bit	31	30	29	28	27	26	25	24	23	22	21	20	19	18	17	16						
Name																						
Type																						
Reset																						
Bit	15	14	13	12	11	10	9	8	7	6	5	4	3	2	1	0						
Name									DL AB	SB	SP	EP S	PE N	ST B	WLS							
Type									RW	RW	RW	RW	RW	RW	RW							
Reset									0	0	0	0	0	0	0	0						

Bit(s)	Name	Description
7	DLAB	Divisor Latch Access Bit. 0 The RX and TX Registers are read/written at Address 0 and the IER register is read/written at Address 4. 1 The Divisor Latch LS is read/written at Address 0 and the Divisor Latch MS is read/written at Address 4.
6	SB	Set Break 0 No effect 1 SOUT signal is forced into the "0" state.
5	SP	Stick Parity 0 No effect.

Bit(s)	Name	Description
4	EPS	<p>1 The Parity bit is forced into a defined state, depending on the states of EPS and PEN: If EPS=1 & PEN=1, the Parity bit is set and checked = 0. If EPS=0 & PEN=1, the Parity bit is set and checked = 1.</p> <p>Even Parity Select 0 When EPS=0, an odd number of ones is sent and checked. 1 When EPS=1, an even number of ones is sent and checked.</p>
3	PEN	<p>Parity Enable 0 The Parity is neither transmitted nor checked. 1 The Parity is transmitted and checked.</p>
2	STB	<p>Number of STOP bits 0 One STOP bit is always added. 1 Two STOP bits are added after each character is sent; unless the character length is 5 when 1 STOP bit is added.</p>
1:0	WLS	<p>Word Length Select. 0 5 bits 1 6 bits 2 7 bits 3 8 bits Determines characteristics of serial communication signals. Modified when LCR[7] = 0.</p>

83030010 MCR Modem Control Register. 00000000

Bit	31	30	29	28	27	26	25	24	23	22	21	20	19	18	17	16
Name																
Type																
Reset																
Bit	15	14	13	12	11	10	9	8	7	6	5	4	3	2	1	0
Name									XOFF_Status			DCM_EN	OUT2	OUT1	RTS	DTR
Type									RU			RW	RW	RW	RW	RW
Reset									0			0	0	0	0	0

Bit(s)	Name	Description
7	XOFF_Status	<p>This is a read-only bit. 0 When an XON character is received. 1 When an XOFF character is received.</p>
4	DCM_EN	<p>UART DCM function enable bit 0 UART DCM is disabled. 1 UART DCM is enabled.</p>
3	OUT2	<p>Controls the state of the output NOUT2, even in loop mode. 0 NOUT2=1. 1 NOUT2=0.</p>
2	OUT1	<p>Controls the state of the output NOUT1, even in loop mode. 0 NOUT1=1. 1 NOUT1=0.</p>
1	RTS	<p>Controls the state of the output NRTS, even in loop mode.</p>

Bit(s)	Name	Description
0	DTR	<p>0 NRTS=1. 1 NRTS=0. Control the state of the output NDTR, even in loop mode. 0 NDTR=1. 1 NDTR=0. Control interface signals of the UART. MCR[4:0] are modified when LCR[7] = 0, MCR[7:6] are modified when LCR[7] = 0 & EFR[4] = 1.</p>

83030014 LSR **Line Status Register.** **00000040**

Bit	31	30	29	28	27	26	25	24	23	22	21	20	19	18	17	16
Name																
Type																
Reset																
Bit	15	14	13	12	11	10	9	8	7	6	5	4	3	2	1	0
Name									FIFOERR	TEMT	THRE	BI	FE	PE	OE	DR
Type									RU	RU	RU	RU	RU	RU	RU	RU
Reset									0	1	0	0	0	0	0	0

Bit(s)	Name	Description
7	FIFOERR	<p>RX FIFO Error Indicator. 0 No PE, FE, BI set in the RX FIFO. 1 Set to 1 when there is at least one PE, FE or BI in the RX FIFO.</p>
6	TEMT	<p>TX Holding Register (or TX FIFO) and the TX Shift Register are empty. 0 Empty conditions below are not met. 1 If FIFOs are enabled, the bit is set whenever the TX FIFO and the TX Shift Register are empty. If FIFOs are disabled, the bit is set whenever TX Holding Register and TX Shift Register are empty.</p>
5	THRE	<p>Indicates if there is room for TX Holding Register or TX FIFO is reduced to its Trigger Level. 0 Reset whenever the contents of the TX FIFO are more than its Trigger Level (FIFOs are enabled), or whenever TX Holding Register is not empty(FIFOs are disabled). 1 Set whenever the contents of the TX FIFO are reduced to its Trigger Level (FIFOs are enabled), or whenever TX Holding Register is empty and ready to accept new data (FIFOs are disabled).</p>
4	BI	<p>Break Interrupt. 0 Reset by the CPU reading this register 1 If the FIFOs are disabled, this bit is set whenever the SIN is held in the 0 state for more than one transmission time (START bit + DATA bits + PARITY + STOP bits). If the FIFOs are enabled, this error is associated with a corresponding character in the FIFO and is flagged when this byte is at the top of the FIFO. When a break occurs, only one zero character is loaded into the FIFO: the next character transfer is enabled when SIN goes into the marking state and receives the next valid start bit.</p>
3	FE	<p>Framing Error.</p>

Bit(s)	Name	Description
2	PE	<p>0 Reset by the CPU reading this register 1 If the FIFOs are disabled, this bit is set if the received data did not have a valid STOP bit. If the FIFOs are enabled, the state of this bit is revealed when the byte it refers to is the next to be read.</p> <p>Parity Error 0 Reset by the CPU reading this register 1 If the FIFOs are disabled, this bit is set if the received data did not have a valid parity bit. If the FIFOs are enabled, the state of this bit is revealed when the referred byte is the next to be read.</p>
1	OE	<p>Overrun Error. 0 Reset by the CPU reading this register. 1 If the FIFOs are disabled, this bit is set if the RX Buffer was not read by the CPU before new data from the RX Shift Register overwrote the previous contents. If the FIFOs are enabled, an overrun error occurs when the RX FIFO is full and the RX Shift Register becomes full. OE is set as soon as this happens. The character in the Shift Register is then overwritten, but not transferred to the FIFO.</p>
0	DR	<p>Data Ready. 0 Cleared by the CPU reading the RX Buffer or by reading all the FIFO bytes. 1 Set by the RX Buffer becoming full or by a byte being transferred into the FIFO. Modified when LCR[7] = 0.</p>

83030018 MSR Modem status register. 00000000

Bit	31	30	29	28	27	26	25	24	23	22	21	20	19	18	17	16
Name																
Type																
Reset																
Bit	15	14	13	12	11	10	9	8	7	6	5	4	3	2	1	0
Name									DC D	RI	DS R	CT S	DD CD	TE RI	DD SR	DC TS
Type									RU	RU	RU	RU	RU	RU	RU	RU
Reset									0	0	0	0	0	0	0	0

Bit(s)	Name	Description
7	DCD	<p>Data Carry Detect. When Loop = "0", this value is the complement of the NDCD input signal. When Loop = "1", this value is equal to the OUT2 bit in the Modem Control Register.</p>
6	RI	<p>Ring Indicator. When Loop = "0", this value is the complement of the NRI input signal. When Loop = "1", this value is equal to the OUT1 bit in the Modem Control Register.</p>
5	DSR	<p>Data Set Ready When Loop = "0", this value is the complement of the NDSR input signal. When Loop = "1", this value is equal to the DTR bit in the</p>

Bit(s)	Name	Description
4	CTS	Modem Control Register. Clear To Send. When Loop = "0", this value is the complement of the NCTS input signal. When Loop = "1", this value is equal to the RTS bit in the Modem Control Register.
3	DDCD	Delta Data Carry Detect. 0 The state of DCD has not changed since the Modem Status Register was last read 1 Set if the state of DCD has changed since the Modem Status Register was last read.
2	TERI	Trailing Edge Ring Indicator 0 The NRI input does not change since this register was last read. 1 Set if the NRI input changes from "0" to "1" since this register was last read.
1	DDSR	Delta Data Set Ready 0 Cleared if the state of DSR has not changed since this register was last read. 1 Set if the state of DSR has changed since this register was last read.
0	DCTS	Delta Clear To Send 0 Cleared if the state of CTS has not changed since this register was last read. 1 Set if the state of CTS has changed since this register was last read. Note: After a reset, D4-D7 are inputs. A modem status interrupt can be cleared by writing '0' or set by writing '1' to this register. D0-D3 can be written to. Modified when LCR[7] = 0.

8303001C SCR Scratch Register **00000000**

Bit	31	30	29	28	27	26	25	24	23	22	21	20	19	18	17	16		
Name																		
Type																		
Reset																		
Bit	15	14	13	12	11	10	9	8	7	6	5	4	3	2	1	0		
Name									SCR									
Type									RW									
Reset									0	0	0	0	0	0	0	0		

Bit(s)	Name	Description
7:0	SCR	A register to store the counter limit for rx timeout. After reset, its value is 40. Modified when LCR[7] = 0.

83030000 DLL Divisor Latch (LS) **00000001**

Bit	31	30	29	28	27	26	25	24	23	22	21	20	19	18	17	16
-----	----	----	----	----	----	----	----	----	----	----	----	----	----	----	----	----

Name																
Type																
Reset																
Bit	15	14	13	12	11	10	9	8	7	6	5	4	3	2	1	0
Name									DLL							
Type									RW							
Reset									0	0	0	0	0	0	0	1

Bit(s)	Name	Description
7:0	DLL	Note: DLL & DLM can only be updated if DLAB is set ("1").. Note too that division by 1 generates a BAUD signal that is constantly high.

83030004 DLM Divisor Latch (MS) 00000000

Bit	31	30	29	28	27	26	25	24	23	22	21	20	19	18	17	16
Name																
Type																
Reset																
Bit	15	14	13	12	11	10	9	8	7	6	5	4	3	2	1	0
Name									DLM							
Type									RW							
Reset									0	0	0	0	0	0	0	0

Bit(s)	Name	Description																																								
7:0	DLM	<p>Note: DLL & DLM can only be updated if DLAB is set ("1").. Note too that division by 1 generates a BAUD signal that is constantly high.</p> <p>Modified when LCR[7] = 1.</p> <p>The table below shows the divisor needed to generate a given baud rate from CLK inputs of 13, 26 MHz and 52 MHz. The effective clock enable generated is 16 x the required baud rate.</p> <p>BAUD 13MHz 26MHz 52MHz</p> <table border="1"> <tr> <td>110</td> <td>7386</td> <td>14773</td> <td>29545</td> </tr> <tr> <td>300</td> <td>2708</td> <td>5417</td> <td>10833</td> </tr> <tr> <td>1200</td> <td>677</td> <td>1354</td> <td>2708</td> </tr> <tr> <td>2400</td> <td>338</td> <td>677</td> <td>1354</td> </tr> <tr> <td>4800</td> <td>169</td> <td>339</td> <td>677</td> </tr> <tr> <td>9600</td> <td>85</td> <td>169</td> <td>339</td> </tr> <tr> <td>19200</td> <td>42</td> <td>85</td> <td>169</td> </tr> <tr> <td>38400</td> <td>21</td> <td>42</td> <td>85</td> </tr> <tr> <td>57600</td> <td>14</td> <td>28</td> <td>56</td> </tr> <tr> <td>115200</td> <td>6</td> <td>14</td> <td>28</td> </tr> </table> <p>Table 2 Divisor needed to generate a given baud rate</p>	110	7386	14773	29545	300	2708	5417	10833	1200	677	1354	2708	2400	338	677	1354	4800	169	339	677	9600	85	169	339	19200	42	85	169	38400	21	42	85	57600	14	28	56	115200	6	14	28
110	7386	14773	29545																																							
300	2708	5417	10833																																							
1200	677	1354	2708																																							
2400	338	677	1354																																							
4800	169	339	677																																							
9600	85	169	339																																							
19200	42	85	169																																							
38400	21	42	85																																							
57600	14	28	56																																							
115200	6	14	28																																							

83030008 EFR Enhanced Feature Register 00000000

Bit	31	30	29	28	27	26	25	24	23	22	21	20	19	18	17	16
Name																
Type																
Reset																
Bit	15	14	13	12	11	10	9	8	7	6	5	4	3	2	1	0
Name									Auto_CTS	Auto_RTS		Enable_E	SW_FLOW_CONT			
Type									RW	RW		RW	RW			
Reset									0	0		0	0	0	0	0

Bit(s)	Name	Description
7	Auto_CTS	Enables hardware transmission flow control 0 Disabled. 1 Enabled.
6	Auto_RTS	Enables hardware reception flow control 0 Disabled. 1 Enabled.
4	Enable_E	Enable enhancement features. 0 Disabled. 1 Enabled.
3:0	SW_FLOW_CONT	Software flow control bits. 00xx No TX Flow Control 10xx Transmit XON1/XOFF1 as flow control bytes 01xx Transmit XON2/XOFF2 as flow control bytes 11xx Transmit XON1 & XON2 and XOFF1 & XOFF2 as flow control words xx00 No RX Flow Control xx10 Receive XON1/XOFF1 as flow control bytes xx01 Receive XON2/XOFF2 as flow control bytes xx11 Receive XON1 & XON2 and XOFF1 & XOFF2 as flow control words NOTE: Only when LCR=BF'h

83030010 XON1 software flow control on 1 00000000

Bit	31	30	29	28	27	26	25	24	23	22	21	20	19	18	17	16		
Name																		
Type																		
Reset																		
Bit	15	14	13	12	11	10	9	8	7	6	5	4	3	2	1	0		
Name									XON1									
Type									RW									
Reset									0	0	0	0	0	0	0	0		

Bit(s)	Name	Description
7:0	XON1	valid only when LCR=BFh.

83030014 XON2 software flow control on 2 **00000000**

Bit	31	30	29	28	27	26	25	24	23	22	21	20	19	18	17	16
Name																
Type																
Reset																
Bit	15	14	13	12	11	10	9	8	7	6	5	4	3	2	1	0
Name									XON2							
Type									RW							
Reset									0	0	0	0	0	0	0	0

Bit(s)	Name	Description
7:0	XON2	valid only when LCR=BFh.

83030018 XOFF1 software flow control off 1 **00000000**

Bit	31	30	29	28	27	26	25	24	23	22	21	20	19	18	17	16
Name																
Type																
Reset																
Bit	15	14	13	12	11	10	9	8	7	6	5	4	3	2	1	0
Name									XOFF1							
Type									RW							
Reset									0	0	0	0	0	0	0	0

Bit(s)	Name	Description
7:0	XOFF1	valid only when LCR=BFh.

8303001C XOFF2 software flow control off 2 **00000000**

Bit	31	30	29	28	27	26	25	24	23	22	21	20	19	18	17	16
Name																
Type																
Reset																

Bit	15	14	13	12	11	10	9	8	7	6	5	4	3	2	1	0
Name									XOFF2							
Type									RW							
Reset									0	0	0	0	0	0	0	0

Bit(s)	Name	Description
7:0	XOFF2	valid only when LCR=BFh.

83030024 HIGHSPEED HIGH SPEED UART 00000000

Bit	31	30	29	28	27	26	25	24	23	22	21	20	19	18	17	16
Name																
Type																
Reset																
Bit	15	14	13	12	11	10	9	8	7	6	5	4	3	2	1	0
Name															SPEED	
Type															RW	
Reset															0	0

Bit(s)	Name	Description																																													
1:0	SPEED	<p>SPEED UART sample counter base</p> <p>0 based on 16*baud_pulse, baud_rate = system clock frequency/16/{DLM, DLL}</p> <p>1 based on 8*baud_pulse, baud_rate = system clock frequency/8/{DLM, DLL}</p> <p>2 based on 4*baud_pulse, baud_rate = system clock frequency/4/{DLM, DLL}</p> <p>3 based on sampe_count * baud_pulse, baud_rate = system clock frequency / sampe_count</p> <p>When HIGHSPEED=3, the value (A * B) means ({DLM, DLL} * SAMPLE_COUNT).</p> <p>When the Baudrate is more than 115200, it will be more accurate if we set HIGHSPEED=3.</p> <p>The table below shows the divisor needed to generate a given baud rate from CLK inputs of 13M Hz based on different HIGHSPEED value.</p> <p>BAUD HIGHSPEED = 0 HIGHSPEED = 1 HIGHSPEED = 2 HIGHSPEED = 3</p> <table border="1"> <tr> <td>110</td><td>7386</td><td>14773</td><td>29545</td><td>7386 * 16</td> </tr> <tr> <td>300</td><td>2708</td><td>7386</td><td>14773</td><td>2708 * 16</td> </tr> <tr> <td>1200</td><td>677</td><td>2708</td><td>7386</td><td>677 * 16</td> </tr> <tr> <td>2400</td><td>338</td><td>677</td><td>2708</td><td>338 * 16</td> </tr> <tr> <td>4800</td><td>169</td><td>338</td><td>677</td><td>169 * 16</td> </tr> <tr> <td>9600</td><td>85</td><td>169</td><td>338</td><td>85 * 16</td> </tr> <tr> <td>19200</td><td>42</td><td>85</td><td>169</td><td>9 * 75</td> </tr> <tr> <td>38400</td><td>21</td><td>42</td><td>85</td><td>13 * 26</td> </tr> <tr> <td>57600</td><td>14</td><td>21</td><td>42</td><td>8 * 28</td> </tr> </table>	110	7386	14773	29545	7386 * 16	300	2708	7386	14773	2708 * 16	1200	677	2708	7386	677 * 16	2400	338	677	2708	338 * 16	4800	169	338	677	169 * 16	9600	85	169	338	85 * 16	19200	42	85	169	9 * 75	38400	21	42	85	13 * 26	57600	14	21	42	8 * 28
110	7386	14773	29545	7386 * 16																																											
300	2708	7386	14773	2708 * 16																																											
1200	677	2708	7386	677 * 16																																											
2400	338	677	2708	338 * 16																																											
4800	169	338	677	169 * 16																																											
9600	85	169	338	85 * 16																																											
19200	42	85	169	9 * 75																																											
38400	21	42	85	13 * 26																																											
57600	14	21	42	8 * 28																																											

Bit(s)	Name	Description			
115200	7	14	21	4 * 28	
230400	*	7	14	2 * 28	
460800	*	*	7	1 * 28	
921600	*	*	*	1 * 14	
Table 3 Divisor needed to generate a given baud rate from 13MHz based on different HIGHSPEED value					
The table below shows the divisor needed to generate a given baud rate from CLK inputs of 26 MHz based on different HIGHSPEED value.					
BAUD HIGHSPEED = 0 HIGHSPEED = 1 HIGHSPEED = 2 HIGHSPEED = 3					
110	14773	29545	59091	7386 * 32	
300	5417	14773	29545	2708 * 32	
1200	1354	5417	14773	677 * 32	
2400	677	1354	5417	338 * 32	
4800	339	677	1354	169 * 32	
9600	169	339	667	85 * 32	
19200	85	169	339	18 * 75	
38400	42	85	169	26 * 26	
57600	28	42	85	16 * 28	
115200	14	28	42	8 * 28	
230400	7	14	28	4 * 28	
460800	*	7	14	2 * 28	
921600	*	*	7	1 * 28	
Table 4 Divisor needed to generate a given baud rate from 26 MHz based on different HIGHSPEED value					
The table below shows the divisor needed to generate a given baud rate from CLK inputs of 52MHz based on different HIGHSPEED value.					
BAUD HIGHSPEED = 0 HIGHSPEED = 1 HIGHSPEED = 2 HIGHSPEED = 3					
110	29545	59091	118182	14773 * 32	
300	10833	29545	59091	5417 * 32	
1200	2708	10833	29545	1354 * 32	
2400	1354	2708	10833	667 * 32	
4800	677	1354	2708	339 * 32	
9600	339	677	1354	169 * 32	
19200	169	339	677	36 * 75	
38400	85	169	339	52 * 26	
57600	56	85	169	32 * 28	
115200	28	56	85	16 * 28	
230400	14	28	56	8 * 28	
460800	7	14	28	4 * 28	
921600	*	7	14	2 * 28	
Table 5 Divisor needed to generate a given baud rate from 52 MHz based on different HIGHSPEED value					

83030028 SAMPLE_COUNT																
sample count																
00000000																
Bit	31	30	29	28	27	26	25	24	23	22	21	20	19	18	17	16
Name																
Type																
Reset																
Bit	15	14	13	12	11	10	9	8	7	6	5	4	3	2	1	0
Name																

e																
Type																RW
Reset																0 0 0 0 0 0 0 0

Bit(s)	Name	Description
7:0	SAMPLE_COUNT	When HIGHSPEED=3, the sample_count is the threshold value for UART sample counter (sample_num). Count from 0 to sample_count.

8303002C SAMPLE_POINT																sample point																000000FF															
Bit	31	30	29	28	27	26	25	24	23	22	21	20	19	18	17	16	Bit	15	14	13	12	11	10	9	8	7	6	5	4	3	2	1	0														
Name																	SAMPLE_POINT																														
Type																	RW																														
Reset																	1	1	1	1	1	1	1	1	1	1	1	1	1	1	1	1															

Bit(s)	Name	Description
7:0	SAMPLE_POINT	When HIGHSPEED=3, UART gets the input data when sample_count=sample_num. e.g. system clock = 13MHz, 921600 = 13000000 / 14 sample_count = 14-1=13 and sample point = 14/2-2 (sample the central point to decrease the inaccuracy) The SAMPLE_POINT is usually =(SAMPLE_COUNT+1)/2-2). The -2 comes from 1 cycle: IDLE->START state and the other cycle: counter start from 0.

83030034 rate_fix																Rate Fix Address																00000000															
Bit	31	30	29	28	27	26	25	24	23	22	21	20	19	18	17	16	Bit	15	14	13	12	11	10	9	8	7	6	5	4	3	2	1	0														
Name																	rate_fix																														
Type																	RW																														
Reset																	0																														

Bit(s)	Name	Description
0	rate_fix	When you set "rate_fix"(34H[0]), you can transmit and receive data only if the input f16m_en is enable.

8303003C GUARD Guard time added register **0000000F**

Bit	31	30	29	28	27	26	25	24	23	22	21	20	19	18	17	16
Name																
Type																
Reset																
Bit	15	14	13	12	11	10	9	8	7	6	5	4	3	2	1	0
Name												GUARD_EN	GUARD_CNT			
Type												RW	RW			
Reset												0	1	1	1	1

Bit(s)	Name	Description
4	GUARD_EN	Guard interval count value. Guard interval = (1/(system clock / div_step / div)) * GUARD_CNT.
3:0	GUARD_CNT	Guard interval add enable signal. 0 No guard interval added. 1 Add guard interval after stop bit.

83030040 ESCAPE_DAT Escape character register **000000FF**

Bit	31	30	29	28	27	26	25	24	23	22	21	20	19	18	17	16
Name																
Type																
Reset																
Bit	15	14	13	12	11	10	9	8	7	6	5	4	3	2	1	0
Name									ESCAPE_DAT							
Type									WO							
Reset									1	1	1	1	1	1	1	1

Bit(s)	Name	Description
7:0	ESCAPE_DAT	Escape character added before software flow control data and escape character, i.e. if tx data is xon (31h), with esc_en =1, uart transmits data as esc + CEh (~xon).

83030044 ESCAPE_EN Escape enable register **00000000**

Bit	31	30	29	28	27	26	25	24	23	22	21	20	19	18	17	16
Name																
Type																
Reset																
Bit	15	14	13	12	11	10	9	8	7	6	5	4	3	2	1	0
Name																ESC_EN
Type																RW
Reset																0

Bit(s)	Name	Description
0	ESC_EN	<p>Add escape character in transmitter and remove escape character in receiver by UART.</p> <p>0 Do not deal with the escape character. 1 Add escape character in transmitter and remove escape character in receiver.</p>

83030048 SLEEP_EN

Sleep enable register

00000000

Bit	31	30	29	28	27	26	25	24	23	22	21	20	19	18	17	16
Name																
Type																
Reset																
Bit	15	14	13	12	11	10	9	8	7	6	5	4	3	2	1	0
Name																SLEEP_EN
Type																RW
Reset																0

Bit(s)	Name	Description
0	SLEEP_EN	<p>For sleep mode issue</p> <p>0 Do not deal with sleep mode indicate signal 1 To activate hardware flow control or software control according to software initial setting when chip enters sleep mode. Releasing hardware flow when chip wakes up; but for software control, uart sends xon when awoken and when FIFO does not reach threshold level.</p>

8303004C VFIFO_EN

Virtual FIFO enable register

00000000

Bit	31	30	29	28	27	26	25	24	23	22	21	20	19	18	17	16
Name																

Type																
Reset																
Bit	15	14	13	12	11	10	9	8	7	6	5	4	3	2	1	0
Name																DMA_VFIFO_EN
Type																RW
Reset																0

Bit(s)	Name	Description
0	DMA_VFIFO_EN	Virtual FIFO mechanism enable signal. 0 Disable VFIFO mode. 1 Enable VFIFO mode. When virtual mode is enabled, the flow control is based on the DMA threshold, and generates a timeout interrupt for DMA.

83030050 RXTRIG Rx Trigger Address **00000000**

Bit	31	30	29	28	27	26	25	24	23	22	21	20	19	18	17	16
Name																
Type																
Reset																
Bit	15	14	13	12	11	10	9	8	7	6	5	4	3	2	1	0
Name												RXTRIG				
Type												RW				
Reset												0	0	0	0	0

Bit(s)	Name	Description
4:0	RXTRIG	When (rtm,rtl)=2'b11, The Rx FIFO threshold will be Rxtrig.

83030054 FRACDIV_L Fractional Divider LSB Address **00000000**

Bit	31	30	29	28	27	26	25	24	23	22	21	20	19	18	17	16
Name																
Type																
Reset																
Bit	15	14	13	12	11	10	9	8	7	6	5	4	3	2	1	0
Name												FRACDIV_L				

Type																	RW	
Reset																		0 0 0 0 0 0 0 0

Bit(s)	Name	Description
7:0	FRACDIV_L	Add sampling count (+1) from state data7 to state data0, in order to contribute fractional divisor.

83030058 FRACDIV_M Fractional Divider MSB Address 00000000

Bit	31	30	29	28	27	26	25	24	23	22	21	20	19	18	17	16
Name																
Type																
Reset																
Bit	15	14	13	12	11	10	9	8	7	6	5	4	3	2	1	0
Name																FRACDIV_M
Type																RW
Reset															0	0

Bit(s)	Name	Description
1:0	FRACDIV_M	Add sampling count in state stop and state parity, in order to contribute fractional divisor.

8303005C FCR_RD FIFO Control Register 00000000

Bit	31	30	29	28	27	26	25	24	23	22	21	20	19	18	17	16
Name																
Type																
Reset																
Bit	15	14	13	12	11	10	9	8	7	6	5	4	3	2	1	0
Name																RFTL
Type																RO
Reset																0

Bit(s)	Name	Description
7:6	RFTL	Read out UARTn_FCR register.
5:4	TFTL	Read out UARTn_FCR register.
3	DMA1	Read out UARTn_FCR register.
0	FIFOE	Read out UARTn_FCR register.

83030060 tx active en TX Active Enable Address 00000003

Bit	31	30	29	28	27	26	25	24	23	22	21	20	19	18	17	16
Name																
Type																
Reset																
Bit	15	14	13	12	11	10	9	8	7	6	5	4	3	2	1	0
Name															TX_OE_EN	TX_PU_EN
Type															RW	RW
Reset															1	1

Bit(s)	Name	Description
1	TX_OE_EN	Enable UART_TX_OE switching function. TX_OE is to control UART_TX output enable.
0	TX_PU_EN	Enable UART_TX_PU switching function. TX_PU is to control UART_TX pull up enable.

83030068 RX OFFSET RX OFFSET 00000000

Bit	31	30	29	28	27	26	25	24	23	22	21	20	19	18	17	16
Name																
Type																
Reset																
Bit	15	14	13	12	11	10	9	8	7	6	5	4	3	2	1	0
Name											RX_OFFSET					
Type											RU					
Reset											0	0	0	0	0	0

Bit(s)	Name	Description
5:0	RX_OFFSET	Data length in RX FIFO

8303006C TX OFFSET TX OFFSET 00000000

Bit	31	30	29	28	27	26	25	24	23	22	21	20	19	18	17	16
Name																
Type																
Reset																
Bit	15	14	13	12	11	10	9	8	7	6	5	4	3	2	1	0
Name												TX_OFFSET				

e															
Type															RU
Reset														0	0

Bit(s)	Name	Description
4:0	TX_OFFSET	Data length in TX FIFO

2.5.2.4.2 UART1

Module name: uart1 Base address: (+83040000h)

Address	Name	Width	Register Function
83040000	<u>RBR</u>	32	RX Buffer Register
83040000	<u>THR</u>	32	TX Holding Register
83040004	<u>IER</u>	32	Interrupt Enable Register
83040008	<u>IIR</u>	32	Interrupt Identification Register
83040008	<u>FCR</u>	32	FIFO Control Register
8304000C	<u>LCR</u>	32	Line Control Register.
83040010	<u>MCR</u>	32	Modem Control Register.
83040014	<u>LSR</u>	32	Line Status Register.
83040018	<u>MSR</u>	32	Modem status register.
8304001C	<u>SCR</u>	32	Scratch Register
83040000	<u>DLL</u>	32	Divisor Latch (LS)
83040004	<u>DLM</u>	32	Divisor Latch (MS)
83040008	<u>EFR</u>	32	Enhanced Feature Register
83040010	<u>XON1</u>	32	software flow control on 1
83040014	<u>XON2</u>	32	software flow control on 2
83040018	<u>XOFF1</u>	32	software flow control off 1
8304001C	<u>XOFF2</u>	32	software flow control off 2
83040024	<u>HIGHSPEED</u>	32	HIGH SPEED UART
83040028	<u>SAMPLE_COUNT</u>	32	sample count
8304002C	<u>SAMPLE_POINT</u>	32	sample point
83040034	<u>rate fix</u>	32	Rate Fix Address
8304003C	<u>GUARD</u>	32	Guard time added register
83040040	<u>ESCAPE_DAT</u>	32	Escape character register
83040044	<u>ESCAPE_EN</u>	32	Escape enable register
83040048	<u>SLEEP_EN</u>	32	Sleep enable register
8304004C	<u>VFIFO_EN</u>	32	Virtual FIFO enable register
83040050	<u>RXTRIG</u>	32	Rx Trigger Address
83040054	<u>FRACDIV_L</u>	32	Fractional Divider LSB Address

Address	Name	Width	Register Function
83040058	<u>FRACDIV_M</u>	32	Fractional Divider MSB Address
8304005C	<u>FCR_RD</u>	32	FIFO Control Register
83040060	<u>tx_active_en</u>	32	TX Active Enable Address
83040068	<u>RX_OFFSET</u>	32	RX OFFSET
8304006C	<u>TX_OFFSET</u>	32	TX OFFSET

83040000 <u>RBR</u>								RX Buffer Register								00000000							
Bit	31	30	29	28	27	26	25	24	23	22	21	20	19	18	17	16							
Name																							
Type																							
Reset																							
Bit	15	14	13	12	11	10	9	8	7	6	5	4	3	2	1	0							
Name									RBR														
Type									RU														
Reset									0	0	0	0	0	0	0	0							

Bit(s)	Name	Description
7:0	RBR	RX Buffer Register. Read-only register. The received data can be read by accessing this register. Modified when LCR[7] = 0.

83040000 <u>THR</u>								TX Holding Register								00000000							
Bit	31	30	29	28	27	26	25	24	23	22	21	20	19	18	17	16							
Name																							
Type																							
Reset																							
Bit	15	14	13	12	11	10	9	8	7	6	5	4	3	2	1	0							
Name									THR														
Type									WO														
Reset									0	0	0	0	0	0	0	0							

Bit(s)	Name	Description
7:0	THR	TX Holding Register. Write-only register. The data to be transmitted is written to this register, and then sent to the PC via serial communication. Modified when LCR[7] = 0.

Bit(s)	Name	Description
--------	------	-------------

83040004 IER **Interrupt Enable Register** **00000000**

Bit	31	30	29	28	27	26	25	24	23	22	21	20	19	18	17	16
Name																
Type																
Reset																
Bit	15	14	13	12	11	10	9	8	7	6	5	4	3	2	1	0
Name									CT SI	RT SI	XO FFI		ED SSI	EL SI	ET BEI	ER BFI
Type									RW	RW	RW		RW	RW	RW	RW
Reset									0	0	0		0	0	0	0

Bit(s)	Name	Description
--------	------	-------------

7	CTSI	<p>By storing a '1' to a specific bit position, the interrupt associated with that bit is enabled. Otherwise, the interrupt is disabled.</p> <p>IER[3:0] are modified when LCR[7] = 0. IER[7:4] are modified when LCR[7] = 0 & EFR[4] = 1</p> <p>Masks an interrupt that is generated when a rising edge is detected on the CTS modem control line.</p> <p>Note: This interrupt is only enabled when hardware flow control is enabled.</p> <p>0 Unmask an interrupt that is generated when a rising edge is detected on the CTS modem control line. 1 Mask an interrupt that is generated when a rising edge is detected on the CTS modem control line.</p>
6	RTSI	<p>Masks an interrupt that is generated when a rising edge is detected on the RTS modem control line.</p> <p>Note: This interrupt is only enabled when hardware flow control is enabled.</p> <p>0 Unmask an interrupt that is generated when a rising edge is detected on the RTS modem control line. 1 Mask an interrupt that is generated when a rising edge is detected on the RTS modem control line.</p>
5	XOFFI	<p>Masks an interrupt that is generated when an XOFF character is received.</p> <p>Note: This interrupt is only enabled when software flow control is enabled.</p> <p>0 Unmask an interrupt that is generated when an XOFF character is received. 1 Mask an interrupt that is generated when an XOFF character is received.</p>
3	EDSSI	<p>When set ("1"), an interrupt is generated if DDCD, TERI, DDSR or DCTS (MSR[4:1]) becomes set.</p> <p>0 No interrupt is generated if DDCD, TERI, DDSR or DCTS (MSR[4:1]) becomes set. 1 An interrupt is generated if DDCD, TERI, DDSR or DCTS (MSR[4:1]) becomes set.</p>
2	ELSI	<p>When set ("1"), an interrupt is generated if BI, FE, PE or OE (LSR[4:1]) becomes set.</p> <p>0 No interrupt is generated if BI, FE, PE or OE (LSR[4:1]) becomes</p>

Bit(s)	Name	Description
1	ETBEI	set. 1 An interrupt is generated if BI, FE, PE or OE (LSR[4:1]) becomes set. When set ("1"), an interrupt is generated if the TX Holding Register is empty or the contents of the TX FIFO have been reduced to its Trigger Level. 0 No interrupt is generated if the TX Holding Register is empty or the contents of the TX FIFO have been reduced to its Trigger Level.
0	ERBFI	1 An interrupt is generated if the TX Holding Register is empty or the contents of the TX FIFO have been reduced to its Trigger Level When set ("1"), an interrupt is generated if the RX Buffer contains data. 0 No interrupt is generated if the RX Buffer contains data. 1 An interrupt is generated if the RX Buffer contains data.

83040008 IIR **Interrupt Identification Register** **00000001**

Bit	31	30	29	28	27	26	25	24	23	22	21	20	19	18	17	16
Name																
Type																
Reset																
Bit	15	14	13	12	11	10	9	8	7	6	5	4	3	2	1	0
Name									FIFOE		IIR_ID					
Type									RO		RO					
Reset									0	0	0	0	0	0	0	1

Bit(s)	Name	Description
7:6	FIFOE	fifo enable
5:0	IIR_ID	Identify if there are pending interrupts; ID4 and ID3 are presented only when EFR[4] = 1. The following table gives the IIR[5:0] codes associated with the possible interrupts: IIR[5:0] Priority Level Interrupt Source 000001 - No interrupt pending 000110 1 Line Status Interrupt BI, FE, PE or OE set in LSR 000100 2 RX Data Received RX Data received or RX Trigger Level reached. 001100 2 RX Data Timeout Timeout on character in RX FIFO. 000010 3 TX Holding Register Empty TX Holding Register empty or TX FIFO Trigger Level reached. 000000 4 Modem Status change DDCD, TERI, DDSR or DCTS set in MSR 010000 5 Software Flow Control XOFF Character received 100000 6 Hardware Flow Control CTS or RTS Rising Edge Table 1 The IIR[5:0] codes associated with the possible interrupts Line Status Interrupt: A RX Line Status Interrupt (IIR[5:0] == 000110b) is generated if ELSI (IER[2]) is set and any of BI, FE, PE

Bit(s)	Name	Description
		<p>or OE (LSR[4:1]) becomes set. The interrupt is cleared by reading the Line Status Register.</p> <p>RX Data Received Interrupt: A RX Received interrupt (IER[5:0] == 000100b) is generated if EFRBI (IER[0]) is set and either RX Data is placed in the RX Buffer Register or the RX Trigger Level is reached. The interrupt is cleared by reading the RX Buffer Register or the RX FIFO (if enabled).</p> <p>RX Data Timeout Interrupt: When virtual FIFO mode is disabled, RX Data Timeout Interrupt is generated if all of the following apply: 1. FIFO contains at least one character; 2. The most recent character was received longer than four character periods ago (including all start, parity and stop bits); 3. The most recent CPU read of the FIFO was longer than four character periods ago. The timeout timer is restarted on receipt of a new byte from the RX Shift Register, or on a CPU read from the RX FIFO. The RX Data Timeout Interrupt is enabled by setting EFRBI (IER[0]) to 1, and is cleared by reading RX FIFO. When virtual FIFO mode is enabled, RX Data Timeout Interrupt is generated if all of the following apply: 1. FIFO is non-empty; 2. The most recent character was received longer than SCR * symbol periods ago; 3. The most recent CPU read of the FIFO was longer than SCR * symbol periods ago. The timeout timer is restarted on receipt of a new byte from the RX Shift Register.</p> <p>RX Holding Register Empty Interrupt: A TX Holding Register Empty Interrupt (IIR[5:0] = 000010b) is generated if ETRBI (IER[1]) is set and either the TX Holding Register or, if FIFOs are enabled, the TX FIFO becomes empty. The interrupt is cleared by writing to the TX Holding Register or TX FIFO if FIFO enabled.</p> <p>Modem Status Change Interrupt: A Modem Status Change Interrupt (IIR[5:0] = 000000b) is generated if EDSSI (IER[3]) is set and either DDCD, TERI, DDSR or DCTS (MSR[3:0]) becomes set. The interrupt is cleared by reading the Modem Status Register.</p> <p>Software Flow Control Interrupt: A Software Flow Control Interrupt (IIR[5:0] = 010000b) is generated if Software Flow Control is enabled and XOFF (IER[5]) becomes set, indicating that an XOFF character has been received. The interrupt is cleared by reading the Interrupt Identification Register.</p> <p>Hardware Flow Control Interrupt: A Hardware Flow Control Interrupt (IER[5:0] = 100000b) is generated if Hardware Flow Control is enabled and either RTSI (IER[6]) or CTSI (IER[7]) becomes set indicating that a rising edge has been detected on either the RTS/CTS Modem Control line. The interrupt is cleared by reading the Interrupt Identification Register.</p>

83040008 FCR					FIFO Control Register							00000000				
Bit	31	30	29	28	27	26	25	24	23	22	21	20	19	18	17	16
Name																
Type																
Reset																

Bit	15	14	13	12	11	10	9	8	7	6	5	4	3	2	1	0
Name									RFTL		TFTL		DMA1	CLRT	CLRR	FIFOE
Type									WO		WO		WO	WO	WO	WO
Reset									0	0	0	0	0	0	0	0

Bit(s)	Name	Description
7:6	RFTL	RX FIFO trigger threshold 0 1 1 6 2 12 3 RXTRIG
5:4	TFTL	TX FIFO trigger threshold 0 1 1 4 2 8 3 14 (FIFOSIZE - 2)
3	DMA1	This bit determines the DMA mode, which the TXRDY and RXRDY pins support. TXRDY and RXRDY act to support single-byte transfers between the UART and memory (DMA mode 0) or multiple byte transfers (DMA mode1). Note that this bit has no effect unless the FIFOE bit is set as well. 0 The device operates in DMA Mode 0. 1 The device operates in DMA Mode 1. TXRDY - mode0: Goes active (low) when TX FIFO is not full. Becomes inactive when the TX FIFO is full. TXRDY - mode1: Goes active (low) when the TX FIFO or the TX Holding Register is empty. Becomes inactive when a byte is written to the Transmit channel. RXRDY - mode0: Becomes active (low) when at least one character is in the RX FIFO or the RX Buffer Register is full. Becomes inactive when there are no more characters in the RX FIFO or RX Buffer register. RXRDY - mode1: Becomes active (low) when the RX FIFO Trigger Level is reached or an RX FIFO Character Timeout occurs. Goes inactive when the RX FIFO is empty.
2	CLRT	Clear Transmit FIFO. This bit is self-clearing. 0 Leave TX FIFO intact. 1 Clear all the bytes in the TX FIFO.
1	CLRR	Clear Receive FIFO. This bit is self-clearing. 0 Leave RX FIFO intact. 1 Clear all the bytes in the RX FIFO.
0	FIFOE	FIFO Enabled. This bit must be set to 1 for any of the other bits in the registers to have any effect. 0 Disable both the RX and TX FIFOs. 1 Enable both the RX and TX FIFOs. FCR is used to control the trigger levels of the FIFOs, or flush the FIFOs. FCR[7:6] is modified when LCR != BFh FCR[5:4] is modified when LCR != BFh & EFR[4] = 1 FCR[4:0] is modified when LCR != BFh

8304000C LCR

Line Control Register.

00000000

Bit	31	30	29	28	27	26	25	24	23	22	21	20	19	18	17	16
-----	----	----	----	----	----	----	----	----	----	----	----	----	----	----	----	----

Name																
Type																
Reset																
Bit	15	14	13	12	11	10	9	8	7	6	5	4	3	2	1	0
Name									DL AB	SB	SP	EP S	PE N	ST B	WLS	
Type									RW	RW	RW	RW	RW	RW	RW	
Reset									0	0	0	0	0	0	0	0

Bit(s)	Name	Description
7	DLAB	Divisor Latch Access Bit. 0 The RX and TX Registers are read/written at Address 0 and the IER register is read/written at Address 4. 1 The Divisor Latch LS is read/written at Address 0 and the Divisor Latch MS is read/written at Address 4.
6	SB	Set Break 0 No effect 1 SOUT signal is forced into the "0" state.
5	SP	Stick Parity 0 No effect. 1 The Parity bit is forced into a defined state, depending on the states of EPS and PEN: If EPS=1 & PEN=1, the Parity bit is set and checked = 0. If EPS=0 & PEN=1, the Parity bit is set and checked = 1.
4	EPS	Even Parity Select 0 When EPS=0, an odd number of ones is sent and checked. 1 When EPS=1, an even number of ones is sent and checked.
3	PEN	Parity Enable 0 The Parity is neither transmitted nor checked. 1 The Parity is transmitted and checked.
2	STB	Number of STOP bits 0 One STOP bit is always added. 1 Two STOP bits are added after each character is sent; unless the character length is 5 when 1 STOP bit is added.
1:0	WLS	Word Length Select. 0 5 bits 1 6 bits 2 7 bits 3 8 bits Determines characteristics of serial communication signals. Modified when LCR[7] = 0.

83040010 MCR Modem Control Register. 00000000

Bit	31	30	29	28	27	26	25	24	23	22	21	20	19	18	17	16
Name																
Type																
Reset																
Bit	15	14	13	12	11	10	9	8	7	6	5	4	3	2	1	0
Name									XO FF			DC M_	OU T2	OU T1	RT S	DT R

										Sta tus			EN					
Type										RO			RW	RW	RW	RW	RW	RW
Reset										0			0	0	0	0	0	0

Bit(s)	Name	Description
7	XOFF Status	This is a read-only bit. 0 When an XON character is received. 1 When an XOFF character is received.
4	DCM_EN	UART DCM function enable bit 0 UART DCM is disabled. 1 UART DCM is enabled.
3	OUT2	Controls the state of the output NOUT2, even in loop mode. 0 NOUT2=1. 1 NOUT2=0.
2	OUT1	Controls the state of the output NOUT1, even in loop mode. 0 NOUT1=1. 1 NOUT1=0.
1	RTS	Controls the state of the output NRTS, even in loop mode. 0 NRTS=1. 1 NRTS=0.
0	DTR	Control the state of the output NDTR, even in loop mode. 0 NDTR=1. 1 NDTR=0. Control interface signals of the UART. MCR[4:0] are modified when LCR[7] = 0, MCR[7:6] are modified when LCR[7] = 0 & EFR[4] = 1.

83040014 LSR Line Status Register. 00000000

Bit	31	30	29	28	27	26	25	24	23	22	21	20	19	18	17	16
Name																
Type																
Reset																
Bit	15	14	13	12	11	10	9	8	7	6	5	4	3	2	1	0
Name									FIF OE RR	TE MT	TH RE	BI	FE	PE	OE	DR
Type									RW	RW	RW	RW	RW	RW	RW	RW
Reset									0	0	0	0	0	0	0	0

Bit(s)	Name	Description
7	FIFOERR	RX FIFO Error Indicator. 0 No PE, FE, BI set in the RX FIFO. 1 Set to 1 when there is at least one PE, FE or BI in the RX FIFO.
6	TEMT	TX Holding Register (or TX FIFO) and the TX Shift Register are empty. 0 Empty conditions below are not met. 1 If FIFOs are enabled, the bit is set whenever the TX FIFO and the

Bit(s)	Name	Description
5	THRE	TX Shift Register are empty. If FIFOs are disabled, the bit is set whenever TX Holding Register and TX Shift Register are empty. Indicates if there is room for TX Holding Register or TX FIFO is reduced to its Trigger Level. 0 Reset whenever the contents of the TX FIFO are more than its Trigger Level (FIFOs are enabled), or whenever TX Holding Register is not empty(FIFOs are disabled). 1 Set whenever the contents of the TX FIFO are reduced to its Trigger Level (FIFOs are enabled), or whenever TX Holding Register is empty and ready to accept new data (FIFOs are disabled).
4	BI	Break Interrupt. 0 Reset by the CPU reading this register 1 If the FIFOs are disabled, this bit is set whenever the SIN is held in the 0 state for more than one transmission time (START bit + DATA bits + PARITY + STOP bits). If the FIFOs are enabled, this error is associated with a corresponding character in the FIFO and is flagged when this byte is at the top of the FIFO. When a break occurs, only one zero character is loaded into the FIFO: the next character transfer is enabled when SIN goes into the marking state and receives the next valid start bit.
3	FE	Framing Error. 0 Reset by the CPU reading this register 1 If the FIFOs are disabled, this bit is set if the received data did not have a valid STOP bit. If the FIFOs are enabled, the state of this bit is revealed when the byte it refers to is the next to be read.
2	PE	Parity Error 0 Reset by the CPU reading this register 1 If the FIFOs are disabled, this bit is set if the received data did not have a valid parity bit. If the FIFOs are enabled, the state of this bit is revealed when the referred byte is the next to be read.
1	OE	Overrun Error. 0 Reset by the CPU reading this register. 1 If the FIFOs are disabled, this bit is set if the RX Buffer was not read by the CPU before new data from the RX Shift Register overwrote the previous contents. If the FIFOs are enabled, an overrun error occurs when the RX FIFO is full and the RX Shift Register becomes full. OE is set as soon as this happens. The character in the Shift Register is then overwritten, but not transferred to the FIFO.
0	DR	Data Ready. 0 Cleared by the CPU reading the RX Buffer or by reading all the FIFO bytes. 1 Set by the RX Buffer becoming full or by a byte being transferred into the FIFO. Modified when LCR[7] = 0.

83040018 MSR Modem status register. 00000000

Bit	31	30	29	28	27	26	25	24	23	22	21	20	19	18	17	16
Name																
Type																
Reset																
Bit	15	14	13	12	11	10	9	8	7	6	5	4	3	2	1	0

Name										DC D	RI	DS R	CT S	DD CD	TE RI	DD SR	DC TS
Type										RW	RW	RW	RW	RW	RW	RW	RW
Reset										0	0	0	0	0	0	0	0

Bit(s)	Name	Description
7	DCD	Data Carry Detect. When Loop = "0", this value is the complement of the NDCD input signal. When Loop = "1", this value is equal to the OUT2 bit in the Modem Control Register.
6	RI	Ring Indicator. When Loop = "0", this value is the complement of the NRI input signal. When Loop = "1", this value is equal to the OUT1 bit in the Modem Control Register.
5	DSR	Data Set Ready When Loop = "0", this value is the complement of the NDSR input signal. When Loop = "1", this value is equal to the DTR bit in the Modem Control Register.
4	CTS	Clear To Send. When Loop = "0", this value is the complement of the NCTS input signal. When Loop = "1", this value is equal to the RTS bit in the Modem Control Register.
3	DDCD	Delta Data Carry Detect. 0 The state of DCD has not changed since the Modem Status Register was last read 1 Set if the state of DCD has changed since the Modem Status Register was last read.
2	TERI	Trailing Edge Ring Indicator 0 The NRI input does not change since this register was last read. 1 Set if the NRI input changes from "0" to "1" since this register was last read.
1	DDSR	Delta Data Set Ready 0 Cleared if the state of DSR has not changed since this register was last read. 1 Set if the state of DSR has changed since this register was last read.
0	DCTS	Delta Clear To Send 0 Cleared if the state of CTS has not changed since this register was last read. 1 Set if the state of CTS has changed since this register was last read. Note: After a reset, D4-D7 are inputs. A modem status interrupt can be cleared by writing '0' or set by writing '1' to this register. D0-D3 can be written to. Modified when LCR[7] = 0.

8304001C SCR		Scratch Register														00000028	
Bit		31	30	29	28	27	26	25	24	23	22	21	20	19	18	17	16
Name																	
Type																	

Reset																		
Bit	15	14	13	12	11	10	9	8	7	6	5	4	3	2	1	0		
Name									SCR									
Type									RW									
Reset									0	0	1	0	1	0	0	0		

Bit(s)	Name	Description
7:0	SCR	A register to store the counter limit for rx timeout. After reset, its value is 40. Modified when LCR[7] = 0.

83040000 DLL Divisor Latch (LS) 00000001

Bit	31	30	29	28	27	26	25	24	23	22	21	20	19	18	17	16		
Name																		
Type																		
Reset																		
Bit	15	14	13	12	11	10	9	8	7	6	5	4	3	2	1	0		
Name									DLL									
Type									RW									
Reset									0	0	0	0	0	0	0	1		

Bit(s)	Name	Description
7:0	DLL	Note: DLL & DLM can only be updated if DLAB is set ("1".. Note too that division by 1 generates a BAUD signal that is constantly high.

83040004 DLM Divisor Latch (MS) 00000000

Bit	31	30	29	28	27	26	25	24	23	22	21	20	19	18	17	16		
Name																		
Type																		
Reset																		
Bit	15	14	13	12	11	10	9	8	7	6	5	4	3	2	1	0		
Name									DLM									
Type									RW									
Reset									0	0	0	0	0	0	0	0		

Bit(s)	Name	Description																																								
7:0	DLM	<p>Note: DLL & DLM can only be updated if DLAB is set ("1").. Note too that division by 1 generates a BAUD signal that is constantly high.</p> <p>Modified when LCR[7] = 1.</p> <p>The table below shows the divisor needed to generate a given baud rate from CLK inputs of 13, 26 MHz and 52 MHz. The effective clock enable generated is 16 x the required baud rate.</p> <p>BAUD 13MHz 26MHz 52MHz</p> <table border="1"> <tr> <td>110</td> <td>7386</td> <td>14773</td> <td>29545</td> </tr> <tr> <td>300</td> <td>2708</td> <td>5417</td> <td>10833</td> </tr> <tr> <td>1200</td> <td>677</td> <td>1354</td> <td>2708</td> </tr> <tr> <td>2400</td> <td>338</td> <td>677</td> <td>1354</td> </tr> <tr> <td>4800</td> <td>169</td> <td>339</td> <td>677</td> </tr> <tr> <td>9600</td> <td>85</td> <td>169</td> <td>339</td> </tr> <tr> <td>19200</td> <td>42</td> <td>85</td> <td>169</td> </tr> <tr> <td>38400</td> <td>21</td> <td>42</td> <td>85</td> </tr> <tr> <td>57600</td> <td>14</td> <td>28</td> <td>56</td> </tr> <tr> <td>115200</td> <td>6</td> <td>14</td> <td>28</td> </tr> </table> <p>Table 2 Divisor needed to generate a given baud rate</p>	110	7386	14773	29545	300	2708	5417	10833	1200	677	1354	2708	2400	338	677	1354	4800	169	339	677	9600	85	169	339	19200	42	85	169	38400	21	42	85	57600	14	28	56	115200	6	14	28
110	7386	14773	29545																																							
300	2708	5417	10833																																							
1200	677	1354	2708																																							
2400	338	677	1354																																							
4800	169	339	677																																							
9600	85	169	339																																							
19200	42	85	169																																							
38400	21	42	85																																							
57600	14	28	56																																							
115200	6	14	28																																							

83040008 EFR		Enhanced Feature Register												00000000			
Bit		31	30	29	28	27	26	25	24	23	22	21	20	19	18	17	16
Name																	
Type																	
Reset																	
Bit		15	14	13	12	11	10	9	8	7	6	5	4	3	2	1	0
Name										Auto CTS	Auto RTS		Enable-E	SW FLOW CONT			
Type										RW	RW		RW	RW			
Reset										0	0		0	0	0	0	0

Bit(s)	Name	Description
7	Auto CTS	<p>Enables hardware transmission flow control</p> <p>0 Disabled. 1 Enabled.</p>
6	Auto RTS	<p>Enables hardware reception flow control</p> <p>0 Disabled. 1 Enabled.</p>
4	Enable-E	<p>Enable enhancement features.</p> <p>0 Disabled. 1 Enabled.</p>
3:0	SW FLOW CONT	<p>Software flow control bits.</p> <p>00xx No TX Flow Control 10xx Transmit XON1/XOFF1 as flow control bytes 01xx Transmit XON2/XOFF2 as flow control bytes 11xx Transmit XON1 & XON2 and XOFF1 & XOFF2 as flow control words xx00 No RX Flow Control xx10 Receive XON1/XOFF1 as flow control bytes xx01 Receive XON2/XOFF2 as flow control bytes</p>

Bit(s)	Name	Description
		xx11 Receive XON1 & XON2 and XOFF1 & XOFF2 as flow control words NOTE: Only when LCR=BF'h

83040010 XON1 software flow control on 1 00000000

Bit	31	30	29	28	27	26	25	24	23	22	21	20	19	18	17	16
Name																
Type																
Reset																
Bit	15	14	13	12	11	10	9	8	7	6	5	4	3	2	1	0
Name									XON1							
Type									RW							
Reset									0	0	0	0	0	0	0	0

Bit(s)	Name	Description
7:0	XON1	valid only when LCR=BFh.

83040014 XON2 software flow control on 2 00000000

Bit	31	30	29	28	27	26	25	24	23	22	21	20	19	18	17	16
Name																
Type																
Reset																
Bit	15	14	13	12	11	10	9	8	7	6	5	4	3	2	1	0
Name									XON2							
Type									RW							
Reset									0	0	0	0	0	0	0	0

Bit(s)	Name	Description
7:0	XON2	valid only when LCR=BFh.

83040018 XOFF1 software flow control off 1 00000000

Bit	31	30	29	28	27	26	25	24	23	22	21	20	19	18	17	16
Name																
Type																
Reset																

Bit	15	14	13	12	11	10	9	8	7	6	5	4	3	2	1	0
Name									XOFF1							
Type									RW							
Reset									0	0	0	0	0	0	0	0

Bit(s)	Name	Description
7:0	XOFF1	valid only when LCR=BFh.

8304001C XOFF2 software flow control off 2 00000000

Bit	31	30	29	28	27	26	25	24	23	22	21	20	19	18	17	16
Name																
Type																
Reset																
Bit	15	14	13	12	11	10	9	8	7	6	5	4	3	2	1	0
Name									XOFF2							
Type									RW							
Reset									0	0	0	0	0	0	0	0

Bit(s)	Name	Description
7:0	XOFF2	valid only when LCR=BFh.

83040024 HIGHSPEED HIGH SPEED UART 00000000

Bit	31	30	29	28	27	26	25	24	23	22	21	20	19	18	17	16
Name																
Type																
Reset																
Bit	15	14	13	12	11	10	9	8	7	6	5	4	3	2	1	0
Name															SPEED	
Type															RW	
Reset															0	0

Bit(s)	Name	Description
1:0	SPEED	SPEED UART sample counter base 0 based on 16*baud_pulse, baud_rate = system clock frequency/16/{DLH, DLL} 1 based on 8*baud_pulse, baud_rate = system clock

Bit(s)	Name	Description
		frequency/8/{DLH, DLL}
		2 based on 4*baud_pulse, baud_rate = system clock
		frequency/4/{DLH, DLL}
		3 based on sampe_count * baud_pulse, baud_rate = system clock
		frequency / sampe_count
		When HIGHSPEED=3, the value (A * B) means ({DLM, DLL} * SAMPLE_COUNT).
		When the Baudrate is more than 115200, it will be more accurate if we set HIGHSPEED=3.
		The table below shows the divisor needed to generate a given baud rate from CLK inputs of 13M Hz based on different HIGHSPEED value.
		BAUD HIGHSPEED = 0 HIGHSPEED = 1 HIGHSPEED = 2 HIGHSPEED = 3
		110 7386 14773 29545 7386 * 16
		300 2708 7386 14773 2708 * 16
		1200 677 2708 7386 677 * 16
		2400 338 677 2708 338 * 16
		4800 169 338 677 169 * 16
		9600 85 169 338 85 * 16
		19200 42 85 169 9 * 75
		38400 21 42 85 13 * 26
		57600 14 21 42 8 * 28
		115200 7 14 21 4 * 28
		230400 * 7 14 2 * 28
		460800 * * 7 1 * 28
		921600 * * * 1 * 14
		Table 3 Divisor needed to generate a given baud rate from 13MHz based on different HIGHSPEED value
		The table below shows the divisor needed to generate a given baud rate from CLK inputs of 26 MHz based on different HIGHSPEED value.
		BAUD HIGHSPEED = 0 HIGHSPEED = 1 HIGHSPEED = 2 HIGHSPEED = 3
		110 14773 29545 59091 7386 * 32
		300 5417 14773 29545 2708 * 32
		1200 1354 5417 14773 677 * 32
		2400 677 1354 5417 338 * 32
		4800 339 677 1354 169 * 32
		9600 169 339 667 85 * 32
		19200 85 169 339 18 * 75
		38400 42 85 169 26 * 26
		57600 28 42 85 16 * 28
		115200 14 28 42 8 * 28
		230400 7 14 28 4 * 28
		460800 * 7 14 2 * 28
		921600 * * 7 1 * 28
		Table 4 Divisor needed to generate a given baud rate from 26 MHz based on different HIGHSPEED value
		The table below shows the divisor needed to generate a given baud rate from CLK inputs of 52MHz based on different HIGHSPEED value.
		BAUD HIGHSPEED = 0 HIGHSPEED = 1 HIGHSPEED = 2 HIGHSPEED = 3
		110 29545 59091 118182 14773 * 32
		300 10833 29545 59091 5417 * 32
		1200 2708 10833 29545 1354 * 32
		2400 1354 2708 10833 667 * 32
		4800 677 1354 2708 339 * 32
		9600 339 677 1354 169 * 32

Bit(s)	Name	Description
		19200 169 339 677 36 * 75
		38400 85 169 339 52 * 26
		57600 56 85 169 32 * 28
		115200 28 56 85 16 * 28
		230400 14 28 56 8 * 28
		460800 7 14 28 4 * 28
		921600 * 7 14 2 * 28
		Table 5 Divisor needed to generate a given baud rate from 52 MHz based on different HIGHSPEED value

83040028 SAMPLE_COUNT **sample count** **00000000**

Bit	31	30	29	28	27	26	25	24	23	22	21	20	19	18	17	16
Name																
Type																
Reset																
Bit	15	14	13	12	11	10	9	8	7	6	5	4	3	2	1	0
Name									SAMPLE_COUNT							
Type									RW							
Reset									0	0	0	0	0	0	0	0

Bit(s)	Name	Description
7:0	SAMPLE_COUNT	When HIGHSPEED=3, the sample_count is the threshold value for UART sample counter (sample_num). Count from 0 to sample_count.

8304002C SAMPLE_POINT **sample point** **00000000**

Bit	31	30	29	28	27	26	25	24	23	22	21	20	19	18	17	16
Name																
Type																
Reset																
Bit	15	14	13	12	11	10	9	8	7	6	5	4	3	2	1	0
Name									SAMPLE_POINT							
Type									RW							
Reset									0	0	0	0	0	0	0	0

Bit(s)	Name	Description
7:0	SAMPLE_POINT	When HIGHSPEED=3, UART gets the input data when sample_count=sample_num. e.g. system clock = 13MHz, 921600 = 13000000 / 14 sample_count = 14-1=13 and sample point = 14/2-2 (sample the

Bit(s)	Name	Description
		central point to decrease the inaccuracy) The SAMPLE_POINT is usually $(=(SAMPLE_COUNT+1)/2-2)$. The -2 comes from 1 cycle: IDLE->START state and the other cycle: counter start from 0.

83040034 rate_fix **Rate Fix Address** **00000000**

Bit	31	30	29	28	27	26	25	24	23	22	21	20	19	18	17	16
Name																
Type																
Reset																
Bit	15	14	13	12	11	10	9	8	7	6	5	4	3	2	1	0
Name																rate_fix
Type																RW
Reset																0

Bit(s)	Name	Description
0	rate_fix	When you set "rate_fix"(34H[0]), you can transmit and receive data only if the input f16m_en is enable.

8304003C GUARD **Guard time added register** **00000000**

Bit	31	30	29	28	27	26	25	24	23	22	21	20	19	18	17	16
Name																
Type																
Reset																
Bit	15	14	13	12	11	10	9	8	7	6	5	4	3	2	1	0
Name												GUARD_EN	GUARD_CNT			
Type												RW	RW			
Reset												0	0	0	0	0

Bit(s)	Name	Description
4	GUARD_EN	Guard interval count value. Guard interval = $(1/(system\ clock / div_step / div)) * GUARD_CNT$.
3:0	GUARD_CNT	Guard interval add enable signal. 0 No guard interval added. 1 Add guard interval after stop bit.

83040040 ESCAPE_DAT **Escape character register** **000000FF**

Bit	31	30	29	28	27	26	25	24	23	22	21	20	19	18	17	16		
Name																		
Type																		
Reset																		
Bit	15	14	13	12	11	10	9	8	7	6	5	4	3	2	1	0		
Name									ESCAPE_DAT									
Type									WO									
Reset									1	1	1	1	1	1	1	1		

Bit(s)	Name	Description
7:0	ESCAPE_DAT	Escape character added before software flow control data and escape character, i.e. if tx data is xon (31h), with esc_en =1, uart transmits data as esc + CEh (~xon).

83040044 ESCAPE_EN **Escape enable register** **00000000**

Bit	31	30	29	28	27	26	25	24	23	22	21	20	19	18	17	16
Name																
Type																
Reset																
Bit	15	14	13	12	11	10	9	8	7	6	5	4	3	2	1	0
Name																ESC_EN
Type																RW
Reset																0

Bit(s)	Name	Description
0	ESC_EN	Add escape character in transmitter and remove escape character in receiver by UART. 0 Do not deal with the escape character. 1 Add escape character in transmitter and remove escape character in receiver.

83040048 SLEEP_EN **Sleep enable register** **00000000**

Bit	31	30	29	28	27	26	25	24	23	22	21	20	19	18	17	16
Name																
Type																
Reset																

Bit	15	14	13	12	11	10	9	8	7	6	5	4	3	2	1	0	
Name																	SLEEP_EN
Type																	RW
Reset																	0

Bit(s)	Name	Description
0	SLEEP_EN	<p>For sleep mode issue</p> <p>0 Do not deal with sleep mode indicate signal</p> <p>1 To activate hardware flow control or software control according to software initial setting when chip enters sleep mode. Releasing hardware flow when chip wakes up; but for software control, uart sends xon when awoken and when FIFO does not reach threshold level.</p>

8304004C VFIFO_EN Virtual FIFO enable register 00000000

Bit	31	30	29	28	27	26	25	24	23	22	21	20	19	18	17	16	
Name																	
Type																	
Reset																	
Bit	15	14	13	12	11	10	9	8	7	6	5	4	3	2	1	0	
Name									RX_TIME_EN_RX								VFIFO_EN
Type									RW								RW
Reset									0								0

Bit(s)	Name	Description
7	RX_TIME_EN_RX	<p>data time stamp enable signal</p> <p>0 Disable to record RX time stamp</p> <p>1 Enable to record RX time stamp</p>
0	VFIFO_EN	<p>Virtual FIFO mechanism enable signal.</p> <p>0 Disable VFIFO mode.</p> <p>1 Enable VFIFO mode. When virtual mode is enabled, the flow control is based on the DMA threshold, and generates a timeout interrupt for DMA.</p>

83040050 RXTRIG Rx Trigger Address 00000006

Bit	31	30	29	28	27	26	25	24	23	22	21	20	19	18	17	16
Name																
Type																

Reset																
Bit	15	14	13	12	11	10	9	8	7	6	5	4	3	2	1	0
Name													RXTRIG			
Type													RW			
Reset													0	1	1	0

Bit(s)	Name	Description
3:0	RXTRIG	When (rtm,rtl)=2'b11, The Rx FIFO threshold will be Rxtrig.

83040054 FRACDIV_L Fractional Divider LSB Address 00000000

Bit	31	30	29	28	27	26	25	24	23	22	21	20	19	18	17	16
Name																
Type																
Reset																
Bit	15	14	13	12	11	10	9	8	7	6	5	4	3	2	1	0
Name									FRACDIV_L							
Type									RW							
Reset									0	0	0	0	0	0	0	0

Bit(s)	Name	Description
7:0	FRACDIV_L	Add sampling count (+1) from state data7 to state data0, in order to contribute fractional divisor.

83040058 FRACDIV_M Fractional Divider MSB Address 00000000

Bit	31	30	29	28	27	26	25	24	23	22	21	20	19	18	17	16
Name																
Type																
Reset																
Bit	15	14	13	12	11	10	9	8	7	6	5	4	3	2	1	0
Name															FRACDIV_M	
Type															RW	
Reset															0	0

Bit(s)	Name	Description
1:0	FRACDIV_M	Add sampling count in state stop and state parity, in order

Bit(s)	Name	Description
		to contribute fractional divisor.

8304005C FCR_RD **FIFO Control Register** **00000000**

Bit	31	30	29	28	27	26	25	24	23	22	21	20	19	18	17	16
Name																
Type																
Reset																
Bit	15	14	13	12	11	10	9	8	7	6	5	4	3	2	1	0
Name									RFTL		TFTL		DMA1			FIFOE
Type									RO		RO		RO			RO
Reset									0	0	0	0	0			0

Bit(s)	Name	Description
7:6	RFTL	Read out UARTn_FCR register.
5:4	TFTL	Read out UARTn_FCR register.
3	DMA1	Read out UARTn_FCR register.
0	FIFOE	Read out UARTn_FCR register.

83040060 tx_active_en **TX Active Enable Address** **00000000**

Bit	31	30	29	28	27	26	25	24	23	22	21	20	19	18	17	16
Name																
Type																
Reset																
Bit	15	14	13	12	11	10	9	8	7	6	5	4	3	2	1	0
Name															TX_OE_EN	TX_PU_EN
Type															RW	RW
Reset															0	0

Bit(s)	Name	Description
1	TX_OE_EN	Enable UART_TX_OE switching function. TX_OE is to control UART_TX output enable.
0	TX_PU_EN	Enable UART_TX_PU switching function. TX_PU is to control UART_TX pull up enable.

83040068 RX_OFFSET **RX OFFSET** **00000000**

Bit	31	30	29	28	27	26	25	24	23	22	21	20	19	18	17	16
Name																
Type																
Reset																
Bit	15	14	13	12	11	10	9	8	7	6	5	4	3	2	1	0
Name											RX_OFFSET					
Type											RO					
Reset											0	0	0	0	0	0

Bit(s)	Name	Description
5:0	RX_OFFSET	Data length in RX FIFO

8304006C TX_OFFSET TX_OFFSET 00000000

Bit	31	30	29	28	27	26	25	24	23	22	21	20	19	18	17	16
Name																
Type																
Reset																
Bit	15	14	13	12	11	10	9	8	7	6	5	4	3	2	1	0
Name												TX_OFFSET				
Type												RO				
Reset												0	0	0	0	0

Bit(s)	Name	Description
4:0	TX_OFFSET	Data length in TX FIFO

2.5.3 I2C Serial Interface

2.5.3.1 General Description

MT76X7 features two I2C serial interface master controllers. The two signals of I2C channel 0 are I2CO_CLK and I2CO_DATA.

- I2CO_CLK is a clock signal that is driven by the master.
- I2CO_DATA is a bi-directional data signal that can be driven by either the master or the slave. It supports the clock rate of 50, 100, 200, and 400 KHz.
- I2C channel 1 supports the same feature as channel 0.

2.5.3.1.1 Function

The I2C module operates with XTAL clock and can support up to 400 kHz I2C protocol. This module can be used as I2C master, not slave, and has two different modes, which are Normal and General mode.

There is a FIFO for both TX and RX direction in this I2C module. During the TX transaction, data is pushed into the TX FIFO; and during the RX transaction, data is popped from the RX FIFO. The block diagram of the I2C module is shown in Figure 2-43.

In Normal mode, I2C transfer consists of one packet only. For TX, there is no need to specify the length of transfer. I2C ends when TX FIFO is empty. For RX, it is required to specify the length of transfer in advance.

In General mode, I2C transfer can support up to 3 consecutive packet transfers. The length and the direction of each packet can be specified separately. Such behavior can be used to perform I2C combined format transfer.

The data transfer between TX/RX FIFO and the memory can be performed by CM4 or GDMA. It is defined as Direct mode if CM4 is used for the data transfer, and is defined as DMA mode if GDMA is used instead. In Direct mode, CM4 keeps pushing/popping the data into/from the TX/RX FIFO during the I2C transaction. While in DMA mode, GDMA will handle the work after CM4 enables both I2C and GDMA properly.

It is worth noticing that the depth of both TX and RX FIFO is 8, and overflow/underflow is not allowed during the transaction. If DMA mode is used, a hardware handshaking between I2C and GDMA is applied to ensure the correctness. However, if Direct mode is used, the software program is responsible to manage the usage of TX/RX FIFO.

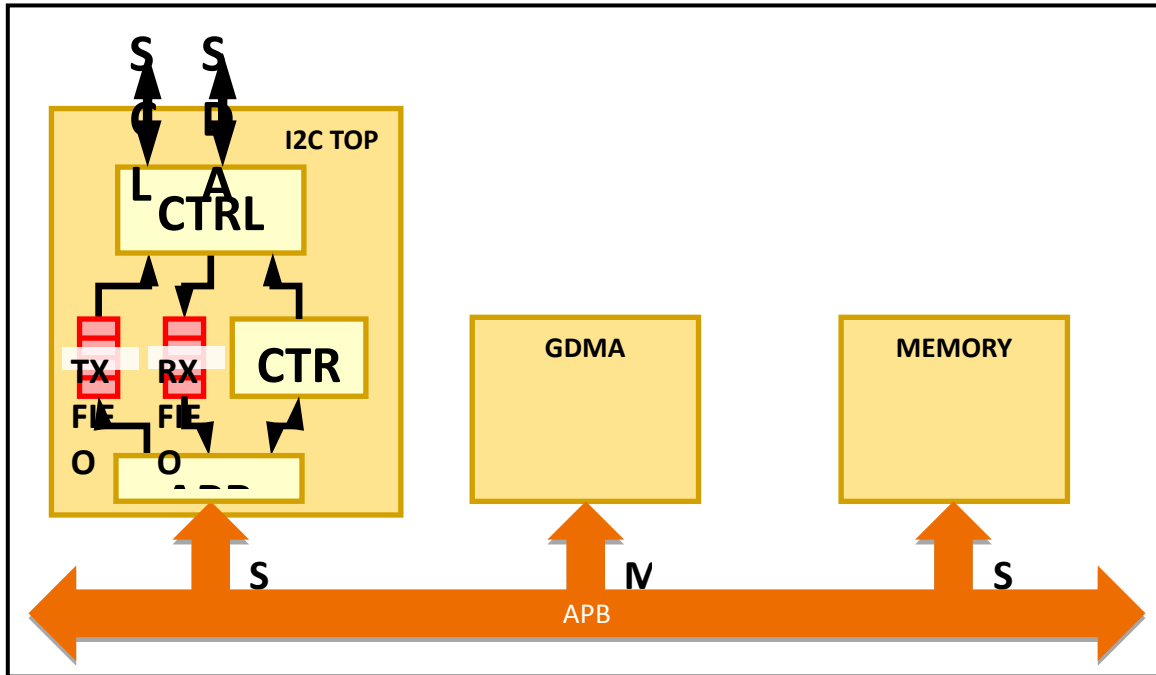


Figure 2-43 The block diagram of I2C module.

2.5.3.2 I2C Programming Sequence

The programming sequence can be divided into two parts, initialization and TX/RX sequence. The TX/RX sequence can be further divided into four due to the different combinations of Normal/General mode and Direct/DMA mode.

2.5.3.2.1 Initialization

The initialization of I2C module includes setting the synchronizing circuit, the de-glitch circuit, and the operating frequency of I2C. As shown in Table 2-42.

In the initial sequence, the I2C counting value of the four phases are determined by the XTAL frequency, the I2C frequency required, and the ratio of each phase in a SCL clock cycle. The I2C frequency can vary from 50 to 400 kHz. By dividing the XTAL frequency by the I2C frequency required, a ratio r can be calculated.

Each SCL clock cycle is composed of four phases, as shown in Figure 2-44. By distributing the ratio r into the four phases, the counting value is thus calculated.

Table 2-42 The initialization of I2C

Initialization Sequence						
Description	R/W	Address	Bit	MACRO	Value	Note
Set I2C PAD Control	W	I2C_BAS E +	[7:0]	MM_PAD_CON0	16'h0000	Disable SYNC_EN and De-glitch counter

		0x240				
Set I2C Counting Value	W	I2C_BASE + 0x244	[15:0]	MM_CNT_VAL_PHL	USER_DEFINED	Set the counting value of phase 1 & phase 0
Set I2C Counting Value	W	I2C_BASE + 0x248	[15:0]	MM_CNT_VAL_PHH	USER_DEFINED	Set the counting value of phase 3 & phase 2

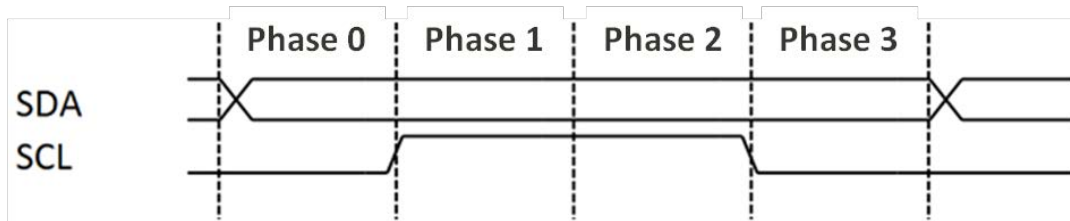


Figure 2-44 SCL clock phases

2.5.3.2.2 TX/RX Sequence

2.5.3.2.2.1 The four modes of I2C operation

As previously described in Section, I2C in MT76x7 has two different operating mode, Normal mode and General mode. Moreover, I2C can be controlled by either CM4 or GDMA, defined as Direct mode and DMA mode respectively. This leads to a fact that I2C has up to four operating modes. The programming sequence of each mode is shown in the following tables.

2.5.3.2.2.2 Direct Normal Mode

Table 2-43 The TX sequence of I2C Direct Normal Mode

Direct Normal Mode TX Sequence						
Description	R/W	Address	Bit	MACRO	Value	Note
Set I2C slave ID	W	I2C_BASE + 0x260	[6:0]	MM_SLAVE_ID	USER_DEFINED	Set the ID of I2C slave
Set I2C transfer direction	W	I2C_BASE + 0x268	[3:0]	MM_PACK_RW	4'b0000	Set 0 for I2C TX
Push data into TX FIFO	W	I2C_BASE + 0x27C	[7:0]	MM_DATA_W_REG	USER_DEFINED	Repeat this step for multiple bytes Up to 8 bytes can be pushed before start
Enable I2C	W	I2C_BASE	[15]	MASTER_EN	1'b1	Set 1 to enable master

transfer		+ 0x270				mode
			[14]	MM_GMODE	1'b0	Set 0 to disable general mode (normal mode)
			[0]	MM_START_EN	1'b1	Set 1 to start I2C transfer
Calculate TX FIFO empty space Push the remaining data into TX FIFO	R	I2C_BASE + 0x284	[15:8]	MM_TX_FIFO_WPTR/RPTR		Repeat this step until the end of transfer SW has to ensure TX FIFO won't under/overflow
	W	I2C_BASE + 0x27C	[7:0]	MM_DATA_W_REG	USER_DEFINED	

Table 2-44 The RX sequence of I2C Direct Normal Mode

Direct Normal Mode RX Sequence						
Description	R/W	Address	Bit	MACRO	Value	Note
Set I2C slave ID	W	I2C_BASE + 0x260	[6:0]	MM_SLAVE_ID	USER_DEFINED	Set the ID of I2C slave
Set I2C transfer direction	W	I2C_BASE + 0x268	[3:0]	MM_PACK_RW	4'b0001	Set 1 for I2C RX
Set I2C RX length	W	I2C_BASE + 0x254	[15:0]	MM_CNT_BYTE_VAL_PK0	USER_DEFINED	Unit is byte
Enable I2C transfer	W	I2C_BASE + 0x270	[15]	MASTER_EN	1'b1	Set 1 to enable master mode
			[14]	MM_GMODE	1'b0	Set 0 to disable general mode (normal mode)
			[0]	MM_START_EN	1'b1	Set 1 to start I2C transfer
Calculate RX FIFO byte count Pop the received data from RX FIFO	R	I2C_BASE + 0x284	[7:0]	MM_RX_FIFO_WPTR/RPTR		Repeat this step until the end of transfer SW has to ensure RX FIFO won't under/overflow
	R	I2C_BASE + 0x27C	[7:0]	MM_DATA_R_REG		

2.5.3.2.2.3 Direct General Mode

Table 2-45 The TX sequence of I2C Direct General Mode

Direct General Mode TX Sequence						
Description	R/W	Address	Bit	MACRO	Value	Note
Set I2C slave ID	W	I2C_BASE + 0x260	[6:0]	MM_SLAVE_ID	USER_DEFINED	Set the ID of I2C slave
Set I2C TX length	W	I2C_BASE + 0x254	[15:0]	MM_CNT_BYTE_VAL_PK0	USER_DEFINED + 1	Set the data length to be transferred (Add 1 byte for word address)
Set I2C packet count and direction	W	I2C_BASE + 0x268	[5:4]	MM_PACK_VAL	2'd0	Set 0 for 1 packet
			[3:0]	MM_PACK_RW	4'b0000	Set 0 for I2C TX
Set I2C word address	W	I2C_BASE + 0x27C	[7:0]	MM_DATA_W_REG	USER_DEFINED	Set the word address in I2C slave
Push data into TX FIFO	W	I2C_BASE + 0x27C	[7:0]	MM_DATA_W_REG	USER_DEFINED	Repeat this step for multiple bytes Up to 7 bytes can be pushed before start
Enable I2C transfer	W	I2C_BASE + 0x270	[15]	MASTER_EN	1'b1	Set 1 to enable master mode
			[14]	MM_GMODE	1'b1	Set 1 to enable general mode
			[0]	MM_START_EN	1'b1	Set 1 to start I2C transfer
Calculate TX FIFO empty space Push the remaining data into TX FIFO	R	I2C_BASE + 0x284	[15:8]	MM_TX_FIFO_WPTR/RPTR		Repeat this step until the end of transfer SW has to ensure TX FIFO won't under/overflow
	W	I2C_BASE + 0x27C	[7:0]	MM_DATA_W_REG	USER_DEFINED	

Table 2-46 The RX sequence of I2C Direct General Mode

Direct General Mode RX Sequence						
Description	R/	Address	Bit	MACRO	Value	Note

	W					
Set I2C slave ID	W	I2C_BASE + 0x260	[6:0]	MM_SLAVE_ID	USER_DEFINED	Set the ID of I2C slave
Set I2C RX length	W	I2C_BASE + 0x254	[15:0]	MM_CNT_BYTE_VAL_PK0	16'd1	1 byte for word address
	W	I2C_BASE + 0x258	[15:0]	MM_CNT_BYTE_VAL_PK1	USER_DEFINED	Set the data length to be transferred
Set I2C packet count and direction	W	I2C_BASE + 0x268	[5:4]	MM_PACK_VAL	2'd1	Set 1 for 2 packets
			[3:0]	MM_PACK_RW	4'b0010	Set 1 for I2C RX
Set I2C word address	W	I2C_BASE + 0x27C	[7:0]	MM_DATA_W_REG	USER_DEFINED	Set the word address in I2C slave
Enable I2C transfer	W	I2C_BASE + 0x270	[15]	MASTER_EN	1'b1	Set 1 to enable master mode
			[14]	MM_GMODE	1'b1	Set 1 to enable general mode
			[0]	MM_START_EN	1'b1	Set 1 to start I2C transfer
Calculate RX FIFO byte count Pop the received data from RX FIFO	R	I2C_BASE + 0x284	[7:0]	MM_RX_FIFO_WPTR/RPTR		Repeat this step until the end of transfer SW has to ensure RX FIFO won't under/overflow
	R	I2C_BASE + 0x27C	[7:0]	MM_DATA_R_REG		

2.5.3.2.2.4 DMA Normal Mode

Table 2-47 The TX sequence of I2C DMA Normal Mode

DMA Normal Mode TX Sequence						
Description	R/W	Address	Bit	MACRO	Value	Note
Set GDMA transfer count	W	GDMA_BASE + 0x0N10	[15:0]	LEN	USER_DEFINED	Unit is byte
Set GDMA source address	W	GDMA_BASE + 0x0N2C	[31:0]	PGMADDR	USER_DEFINED	The address in memory

Set GDMA configurations	W	GDMA_B ASE + 0x0N14	[25:20]	MAS	6'd2 or 6'd4	Set 6'd2/6'd4 for I2C-1/2 TX respectively
			[18]	DIR	1'b0	Set 0 for Read (RAM to I2C)
			[17]	WPEN	1'b0	Set 0 to disable wrapping
			[15]	ITEN	1'b0	Set 0 to disable interrupt
			[10:8]	BURST	3'b000	Set 0 for single-byte burst
			[5]	B2W	1'b0	Set 0 to disable
			[4]	DREQ	1'b1	Set 1 to enable HW handshake
			[3]	DINC	1'b0	Set 0 to disable incremental address
			[2]	SINC	1'b1	Set 1 to enable incremental address
			[1:0]	SIZE	2'b00	Set 0 for single-byte transfer
Enable GDMA	W	GDMA_B ASE + 0x0N18	[15]	STR	1'b0	Set 0 to reset DMA transfer
	W	GDMA_B ASE + 0x0N18	[15]	STR	1'b1	Set 1 to start DMA transfer
Set I2C slave ID	W	I2C_BASE + 0x260	[6:0]	MM_SLAVE_ID	<i>USER_DEFINED</i>	Set the ID of I2C slave
Set I2C transfer direction	W	I2C_BASE + 0x268	[3:0]	MM_PACK_R W	4'b0000	Set 0 for I2C TX
Enable I2C transfer	W	I2C_BASE + 0x270	[15]	MASTER_EN	1'b1	Set 1 to enable master mode
			[14]	MM_GMODE	1'b0	Set 0 to disable general mode (normal mode)
			[0]	MM_START_E N	1'b1	Set 1 to start I2C transfer

Table 2-48 The RX sequence of I2C DMA Normal Mode

DMA Normal Mode RX Sequence						
Description	R/	Address	Bit	MACRO	Value	Note

	W					
Set GDMA transfer count	W	GDMA_B ASE + 0x0N10	[15:0]	LEN	USER_DEFINED	Unit is byte
Set GDMA destination address	W	GDMA_B ASE + 0x0N2C	[31:0]	PGMADDR	USER_DEFINED	The address in memory
Set GDMA configurations	W	GDMA_B ASE + 0x0N14	[25:20]	MAS	6'd3 or 6'd5	Set 6'd3/6'd5 for I2C-1/2 RX respectively
			[18]	DIR	1'b1	Set 1 for Write (I2C to RAM)
			[17]	WPEN	1'b0	Set 0 to disable wrapping
			[15]	ITEN	1'b0	Set 0 to disable interrupt
			[10:8]	BURST	3'b000	Set 0 for single-byte burst
			[5]	B2W	1'b0	Set 0 to disable
			[4]	DREQ	1'b1	Set 1 to enable HW handshake
			[3]	DINC	1'b1	Set 1 to enable incremental address
			[2]	SINC	1'b0	Set 0 to disable incremental address
Enable GDMA	W	GDMA_B ASE + 0x0N18	[15]	STR	1'b0	Set 0 to reset DMA transfer
	W	GDMA_B ASE + 0x0N18	[15]	STR	1'b1	Set 1 to start DMA transfer
Set I2C slave ID	W	I2C_BASE + 0x260	[6:0]	MM_SLAVE_ID	USER_DEFINED	Set the ID of I2C slave
Set I2C transfer direction	W	I2C_BASE + 0x268	[3:0]	MM_PACK_RW	4'b0001	Set 1 for I2C RX
Set I2C RX length	W	I2C_BASE + 0x254	[15:0]	MM_CNT_BYTE_VAL_PK0	USER_DEFINED	Unit is byte
Enable I2C	W	I2C_BASE	[15]	MASTER_EN	1'b1	Set 1 to enable master

transfer		+ 0x270				mode
			[14]	MM_GMODE	1'b0	Set 0 to disable general mode (normal mode)
			[0]	MM_START_EN	1'b1	Set 1 to start I2C transfer

2.5.3.2.2.5 DMA General Mode

Table 2-49 The TX sequence of I2C DMA General Mode

DMA General Mode TX Sequence						
Description	R/W	Address	Bit	MACRO	Value	Note
Set I2C word address	W	I2C_BASE + 0x27C	[7:0]	MM_DATA_W_REG	USER_DEFINED	Set the word address in I2C slave
Set GDMA transfer count	W	GDMA_BASE + 0x0N10	[15:0]	LEN	USER_DEFINED	Unit is byte
Set GDMA source address	W	GDMA_BASE + 0x0N2C	[31:0]	PGMADDR	USER_DEFINED	The address in memory
Set GDMA configurations	W	GDMA_BASE + 0x0N14	[25:20]	MAS	6'd2 or 6'd4	Set 6'd2/6'd4 for I2C-1/2 TX respectively
			[18]	DIR	1'b0	Set 0 for Read (RAM to I2C)
			[17]	WPEN	1'b0	Set 0 to disable wrapping
			[15]	ITEN	1'b0	Set 0 to disable interrupt
			[10:8]	BURST	3'b000	Set 0 for single-byte burst
			[5]	B2W	1'b0	Set 0 to disable
			[4]	DREQ	1'b1	Set 1 to enable HW handshake
			[3]	DINC	1'b0	Set 0 to disable incremental address
			[2]	SINC	1'b1	Set 1 to enable

			[1:0]	SIZE	2'b00	incremental address Set 0 for single-byte transfer
Enable GDMA	W	GDMA_BASE + 0x0N18	[15]	STR	1'b0	Set 0 to reset DMA transfer
	W	GDMA_BASE + 0x0N18	[15]	STR	1'b1	Set 1 to start DMA transfer
Set I2C slave ID	W	I2C_BASE + 0x260	[6:0]	MM_SLAVE_ID	USER_DEFINED	Set the ID of I2C slave
Set I2C TX length	W	I2C_BASE + 0x254	[15:0]	MM_CNT_BYT E_VAL_PK0	USER_DEFINED + 1	Set the data length to be transferred (Add 1 byte for word address)
Set I2C packet count and direction	W	I2C_BASE + 0x268	[5:4]	MM_PACK_VAL	2'd0	Set 0 for 1 packets
			[3:0]	MM_PACK_RW	4'b0000	Set 0 for I2C TX
Enable I2C transfer	W	I2C_BASE + 0x270	[15]	MASTER_EN	1'b1	Set 1 to enable master mode
			[14]	MM_GMODE	1'b1	Set 1 to enable general mode
			[0]	MM_START_EN	1'b1	Set 1 to start I2C transfer

Table 2-50 The RX sequence of I2C DMA General Mode

DMA General Mode RX Sequence						
Description	R/W	Address	Bit	MACRO	Value	Note
Set I2C word address	W	I2C_BASE + 0x27C	[7:0]	MM_DATA_W_REG	USER_DEFINED	Set the word address in I2C slave
Set GDMA transfer count	W	GDMA_BASE + 0x0N10	[15:0]	LEN	USER_DEFINED	Unit is byte
Set GDMA destination address	W	GDMA_BASE + 0x0N2C	[31:0]	PGMADDR	USER_DEFINED	The address in memory
Set GDMA configurations	W	GDMA_BASE + 0x0N14	[25:20]	MAS	6'd3 or 6'd5	Set 6'd3/6'd5 for I2C-1/2 RX respectively
			[18]	DIR	1'b0	Set 0 for Read (RAM to

						I2C)
			[17]	WPEN	1'b0	Set 0 to disable wrapping
			[15]	ITEN	1'b0	Set 0 to disable interrupt
			[10:8]	BURST	3'b000	Set 0 for single-byte burst
			[5]	B2W	1'b0	Set 0 to disable
			[4]	DREQ	1'b1	Set 1 to enable HW handshake
			[3]	DINC	1'b1	Set 1 to enable incremental address
			[2]	SINC	1'b0	Set 0 to disable incremental address
			[1:0]	SIZE	2'b00	Set 0 for single-byte transfer
Enable GDMA	W	GDMA_BASE + 0x0N18	[15]	STR	1'b0	Set 0 to reset DMA transfer
	W	GDMA_BASE + 0x0N18	[15]	STR	1'b1	Set 1 to start DMA transfer
Set I2C slave ID	W	I2C_BASE + 0x260	[6:0]	MM_SLAVE_ID	<i>USER_DEFINED</i>	Set the ID of I2C slave
Set I2C RX length	W	I2C_BASE + 0x254	[15:0]	MM_CNT_BYTE_VAL_PK0	16'd1	1 byte for word address
	W	I2C_BASE + 0x258	[15:0]	MM_CNT_BYTE_VAL_PK1	<i>USER_DEFINED</i>	Set the data length to be transferred
Set I2C packet count and direction	W	I2C_BASE + 0x268	[5:4]	MM_PACK_VAL	2'd1	Set 1 for 2 packets
			[3:0]	MM_PACK_RW	4'b0010	Set 1 for I2C RX
Enable I2C transfer	W	I2C_BASE + 0x270	[15]	MASTER_EN	1'b1	Set 1 to enable master mode
			[14]	MM_GMODE	1'b1	Set 1 to enable general mode
			[0]	MM_START_EN	1'b1	Set 1 to start I2C transfer

2.5.3.3 Registers Definitions

2.5.3.3.1 I2C-1

Module name: I2C-1 Base address: (+83090000h)

Address	Name	Width	Register Function
83090240	<u>MM PAD CONo</u>	16	Pad Control
83090244	<u>MM CNT VAL PHL</u>	16	Counting Value Phase Low
83090248	<u>MM CNT VAL PHH</u>	16	Counting Value Phase High
8309024C	<u>MM CNT VAL HS PHL</u>	16	Counting Value High-Speed Phase Low
83090250	<u>MM CNT VAL HS PHH</u>	16	Counting Value High-Speed Phase High
83090254	<u>MM CNT BYTE VAL PKo</u>	16	Byte value of packet 0
83090258	<u>MM CNT BYTE VAL PK1</u>	16	Byte value of packet 1
8309025C	<u>MM CNT BYTE VAL PK2</u>	16	Byte value of packet 2
83090260	<u>MM ID CONo</u>	16	ID Control 0
83090264	<u>MM ID CON1</u>	16	ID Control 1
83090268	<u>MM PACK CONo</u>	16	Packet Control
8309026C	<u>MM ACK VAL</u>	16	Ack Value
83090270	<u>MM CONo</u>	16	I2C Control
83090274	<u>MM STATUS</u>	16	I2C Status
83090278	<u>MM FIFO CONo</u>	16	FIFO Control
8309027C	<u>MM FIFO DATA</u>	16	FIFO Data Write/Read
83090280	<u>MM FIFO STATUS</u>	16	FIFO Status
83090284	<u>MM FIFO PTR</u>	16	FIFO Pointer
830902Co	<u>DMA CONo</u>	16	DMA Control
830902FC	<u>RESERVEDo</u>	16	Reserved CR

83090240 MM PAD CONo Pad Control 00000000

Bit	31	30	29	28	27	26	25	24	23	22	21	20	19	18	17	16
Name																
Type																
Reset																
Bit	15	14	13	12	11	10	9	8	7	6	5	4	3	2	1	0
Name										SY NC _E N	SD A_ DR VH _E N	SC L_ DR VH _E N	DE_CNT			

Type									RW	RW	RW	RW				
Reset									0	0	0	0	0	0	0	0

Bit(s)	Name	Description
7	SYNC_EN	Set 1 to enable the I2C internal synchronization functions on sda_i and scl_i, inducing 2 cycles of latency.
6	SDA_DRVH_EN	Set 1 to enable SDA pad driving high. Default is pull high.
5	SCL_DRVH_EN	Set 1 to enable SCL pad driving high. Default is pull high.
4:0	DE_CNT	Deglintch counting number. Set 0 to disable the deglintch circuit.

83090244 MM_CNT_VAL_PHL Counting Value Phase Low 0000FFFF

Bit	31	30	29	28	27	26	25	24	23	22	21	20	19	18	17	16
Name																
Type																
Reset																
Bit	15	14	13	12	11	10	9	8	7	6	5	4	3	2	1	0
Name	MM_CNT_PHASE_VAL1								MM_CNT_PHASE_VAL0							
Type	RW								RW							
Reset	1	1	1	1	1	1	1	1	1	1	1	1	1	1	1	1

Bit(s)	Name	Description
15:8	MM_CNT_PHASE_VAL1	Phase 1 counting value. SCL rising edge to SDA timing. The STOP condition period. Unit: Depends on XTAL frequency (1/XTAL_FREQ)
7:0	MM_CNT_PHASE_VAL0	Phase 0 counting value. SDA to SCL rising edge timing. The data setup time. Unit: Depends on XTAL frequency (1/XTAL_FREQ)

83090248 MM_CNT_VAL_PHH Counting Value Phase High 0000FFFF

Bit	31	30	29	28	27	26	25	24	23	22	21	20	19	18	17	16
Name																
Type																
Reset																
Bit	15	14	13	12	11	10	9	8	7	6	5	4	3	2	1	0
Name	MM_CNT_PHASE_VAL3								MM_CNT_PHASE_VAL2							
Type	RW								RW							
Reset	1	1	1	1	1	1	1	1	1	1	1	1	1	1	1	1

Bit(s)	Name	Description
15:8	MM_CNT_PHASE_VAL3	Phase 3 counting value. SCL falling edge to SDA timing. The data hold time. Unit: Depends on XTAL frequency (1/XTAL_FREQ)
7:0	MM_CNT_PHASE_VAL2	Phase 2 counting value. SDA to SCL falling edge timing. The START condition period. Unit: Depends on XTAL frequency (1/XTAL_FREQ)

8309024C MM_CNT_VAL_HS Counting Value High-Speed Phase 0000FFFF
PHL Low

Bit	31	30	29	28	27	26	25	24	23	22	21	20	19	18	17	16
Name																
Type																
Reset																
Bit	15	14	13	12	11	10	9	8	7	6	5	4	3	2	1	0
Name																
Type																
Reset																

Bit(s)	Name	Description
--------	------	-------------

83090250 MM_CNT_VAL_HS Counting Value High-Speed Phase 0000FFFF
PHH High

Bit	31	30	29	28	27	26	25	24	23	22	21	20	19	18	17	16
Name																
Type																
Reset																
Bit	15	14	13	12	11	10	9	8	7	6	5	4	3	2	1	0
Name																
Type																
Reset																

Bit(s)	Name	Description
--------	------	-------------

83090254 MM_CNT_BYTE_VAL PKO Byte value of packet 0 00000000
L PKO

Bit	31	30	29	28	27	26	25	24	23	22	21	20	19	18	17	16
-----	----	----	----	----	----	----	----	----	----	----	----	----	----	----	----	----

Name																
Type																
Reset																
Bit	15	14	13	12	11	10	9	8	7	6	5	4	3	2	1	0
Name	MM_CNT_BYTE_VAL_PK0															
Type	RW															
Reset	0	0	0	0	0	0	0	0	0	0	0	0	0	0	0	0

Bit(s)	Name	Description
15:0	MM_CNT_BYTE_VAL_PK0	The first packet length for general case. But in normal read mode, it need to set the read data length.

83090258 MM_CNT_BYTE_VAL_PK1 Byte value of packet 1 **00000000**

Bit	31	30	29	28	27	26	25	24	23	22	21	20	19	18	17	16
Name																
Type																
Reset																
Bit	15	14	13	12	11	10	9	8	7	6	5	4	3	2	1	0
Name	MM_CNT_BYTE_VAL_PK1															
Type	RW															
Reset	0	0	0	0	0	0	0	0	0	0	0	0	0	0	0	0

Bit(s)	Name	Description
15:0	MM_CNT_BYTE_VAL_PK1	The second packet length for general case.

8309025C MM_CNT_BYTE_VAL_PK2 Byte value of packet 2 **00000000**

Bit	31	30	29	28	27	26	25	24	23	22	21	20	19	18	17	16
Name																
Type																
Reset																
Bit	15	14	13	12	11	10	9	8	7	6	5	4	3	2	1	0
Name	MM_CNT_BYTE_VAL_PK2															
Type	RW															
Reset	0	0	0	0	0	0	0	0	0	0	0	0	0	0	0	0

Bit(s)	Name	Description
15:0	MM_CNT_BYTE_VAL_PK2	The third packet length for general case.

83090260 MM_ID_CON0 ID Control 0 00000038

Bit	31	30	29	28	27	26	25	24	23	22	21	20	19	18	17	16
Name																
Type																
Reset																
Bit	15	14	13	12	11	10	9	8	7	6	5	4	3	2	1	0
Name										MM_SLAVE_ID						
Type										RW						
Reset										0	1	1	1	0	0	0

Bit(s)	Name	Description
6:0	MM_SLAVE_ID	The slave address.

83090264 MM_ID_CON1 ID Control 1 0000000F

Bit	31	30	29	28	27	26	25	24	23	22	21	20	19	18	17	16
Name																
Type																
Reset																
Bit	15	14	13	12	11	10	9	8	7	6	5	4	3	2	1	0
Name																
Type																
Reset																

Bit(s)	Name	Description
--------	------	-------------

83090268 MM_PACK_CON0 Packet Control 00000000

Bit	31	30	29	28	27	26	25	24	23	22	21	20	19	18	17	16
Name																
Type																
Reset																

Bit	15	14	13	12	11	10	9	8	7	6	5	4	3	2	1	0
Name											MM_PACK_VAL		M M_ PA CK _R W[3]	M M_ PA CK _R W[2]	M M_ PA CK _R W[1]	M M_ PA CK _R W[0]
Type											RW		RW	RW	RW	RW
Reset											0	0	0	0	0	0

Bit(s)	Name	Description
5:4	MM_PACK_VAL	Number of packet in general case. 2'h0: means 1 packet 2'h1: means 2 packet 2'h2: means 3 packet 2'h3: Reserved.
3	MM_PACK_RW[3]	Read/write signal for each packet in general case. Only MM_PACK_RW[0] is used when not in general case. 0: write 1: read
2	MM_PACK_RW[2]	Read/write signal for each packet in general case. Only MM_PACK_RW[0] is used when not in general case. 0: write 1: read
1	MM_PACK_RW[1]	Read/write signal for each packet in general case. Only MM_PACK_RW[0] is used when not in general case. 0: write 1: read
0	MM_PACK_RW[0]	Read/write signal for each packet in general case. Only MM_PACK_RW[0] is used when not in general case. 0: write 1: read

8309026C MM_ACK_VAL Ack Value 00000FFF

Bit	31	30	29	28	27	26	25	24	23	22	21	20	19	18	17	16
Name																
Type																
Reset																
Bit	15	14	13	12	11	10	9	8	7	6	5	4	3	2	1	0
Name					MM_ACK_ID				MM_ACK_DATA							
Type					RO				RO							
Reset					1	1	1	1	1	1	1	1	1	1	1	1

Bit(s)	Name	Description
11:8	MM_ACK_ID	The received ACK data bits after ID data in each packet.
7:0	MM_ACK_DATA	The last 8 received ACK data bits.

83090270 MM_CON0
I2C Control
00000800

Bit	31	30	29	28	27	26	25	24	23	22	21	20	19	18	17	16
Name																
Type																
Reset																
Bit	15	14	13	12	11	10	9	8	7	6	5	4	3	2	1	0
Name	MASTER_EN	MM_GMODE														MM_START_EN
Type	RW	RW														RW
Reset	0	0														0

Bit(s)	Name	Description
15	MASTER_EN	Master enable
14	MM_GMODE	Master general mode enable. 0: Normal mode. BYTE_VAL_PK0/1/2 is disabled for TX, I2C stops as TX FIFO is empty. BYTE_VAL_PK1/2 is disabled for RX, while BYTE_VAL_PK0 is used to indicate the byte count to be read. 1: General mode. This mode supports up to 3 packet transfer, which the length is defined by BYTE_VAL_PK0/1/2 respectively.
0	MM_START_EN	Master starts transfer trigger. When DSP write 1 to this bit, the hardware initiates to transfer data until BUS_BUSY equals 0. When data starts to transfer, this bit will go to low immediately.

83090274 MM_STATUS
I2C Status
00000004

Bit	31	30	29	28	27	26	25	24	23	22	21	20	19	18	17	16
Name																
Type																
Reset																
Bit	15	14	13	12	11	10	9	8	7	6	5	4	3	2	1	0
Name														MM_START_READY	MM_ARB_LOSE	BUS_BUSY
Type														RO	RO	RO
Reset														1	0	0

Bit(s)	Name	Description
--------	------	-------------

Bit(s)	Name	Description
2	MM_START_READY	The master is ready for start trigger when read 1. When DSP set MM_START_EN to 1, this will go to low immediately. When data transfers finished, this signal will go to high. DSP can read this bit to decide the next data packet transfer.
1	MM_ARB_HAD_LOSE	The master had an arbitration lose when read 1. DSP writes 1 to clear this bit.
0	BUS_BUSY	The SDA and SCL are active when read 1. When the START signal was detected on I2C, the BUS_BUSY will set to high. When the STOP signal is detected on the bus, the BUS_BUSY will set to low.

83090278 MM_FIFO_CON0 FIFO Control 00000000

Bit	31	30	29	28	27	26	25	24	23	22	21	20	19	18	17	16
Name																
Type																
Reset																
Bit	15	14	13	12	11	10	9	8	7	6	5	4	3	2	1	0
Name															MM_TX_FIFO_CLR	MM_RX_FIFO_CLR
Type															W1C	W1C
Reset															0	0

Bit(s)	Name	Description
1	MM_TX_FIFO_CLR	Clear the master TX FIFO when write 1.
0	MM_RX_FIFO_CLR	Clear the master RX FIFO when write 1.

8309027C MM_FIFO_DATA FIFO Data Write/Read 00000000

Bit	31	30	29	28	27	26	25	24	23	22	21	20	19	18	17	16
Name																
Type																
Reset																
Bit	15	14	13	12	11	10	9	8	7	6	5	4	3	2	1	0
Name									MM_DATA_W/R_REG							
Type									RW							
Reset									0	0	0	0	0	0	0	0

Bit(s)	Name	Description
7:0	MM_DATA_W/R_REG	Write/Read to push/pop data into/from TX/RX FIFO. (FIFO Depth: 8 bytes)

83090280 MM_FIFO_STATUS FIFO Status **00000011**

Bit	31	30	29	28	27	26	25	24	23	22	21	20	19	18	17	16
Name																
Type																
Reset																
Bit	15	14	13	12	11	10	9	8	7	6	5	4	3	2	1	0
Name									M M_ TX _FI FO _O VF	M M_ TX _FI FO _U ND R	M M_ TX _FI FO _F UL L	M M_ TX _FI FO _E MP	M M_ RX _FI FO _O VF	M M_ RX _FI FO _U ND R	M M_ RX _FI FO _F UL L	M M_ RX _FI FO _E MP
Type									RO	RO	RO	RO	RO	RO	RO	RO
Reset									0	0	0	1	0	0	0	1

Bit(s)	Name	Description
7	MM_TX_FIFO_OVF	Master TX FIFO overflow. It can only be cleared when write MM_TX_FIFO_CLR 1.
6	MM_TX_FIFO_UNDR	Master TX FIFO underflow. It can only be cleared when write MM_TX_FIFO_CLR 1.
5	MM_TX_FIFO_FULL	Master TX FIFO full.
4	MM_TX_FIFO_EMP	Master TX FIFO empty.
3	MM_RX_FIFO_OVF	Master RX FIFO overflow. It can only be cleared when write MM_RX_FIFO_CLR 1.
2	MM_RX_FIFO_UNDR	Master RX FIFO underflow. It can only be cleared when write MM_RX_FIFO_CLR 1.
1	MM_RX_FIFO_FULL	Master RX FIFO full.
0	MM_RX_FIFO_EMP	Master RX FIFO empty.

83090284 MM_FIFO_PTR FIFO Pointer **00000000**

Bit	31	30	29	28	27	26	25	24	23	22	21	20	19	18	17	16
Name																
Type																
Reset																
Bit	15	14	13	12	11	10	9	8	7	6	5	4	3	2	1	0
Name	MM_TX_FIFO_WPTR				MM_TX_FIFO_RPTR				MM_RX_FIFO_WPTR				MM_RX_FIFO_RPTR			
Type	RO				RO				RO				RO			
Reset	0	0	0	0	0	0	0	0	0	0	0	0	0	0	0	0

Bit(s)	Name	Description
15:12	MM_TX_FIFO_WPTR	Master TX FIFO write pointer
11:8	MM_TX_FIFO_RPTR	Master TX FIFO read pointer
7:4	MM_RX_FIFO_WPTR	Master RX FIFO write pointer
3:0	MM_RX_FIFO_RPTR	Master RX FIFO read pointer

830902Co DMA CONo DMA Control 00000000

Bit	31	30	29	28	27	26	25	24	23	22	21	20	19	18	17	16
Name																
Type																
Reset																
Bit	15	14	13	12	11	10	9	8	7	6	5	4	3	2	1	0
Name																
Type																
Reset																

Bit(s)	Name	Description
--------	------	-------------

830902FC RESERVEDo Reserved CR 00000002

Bit	31	30	29	28	27	26	25	24	23	22	21	20	19	18	17	16
Name																
Type																
Reset																
Bit	15	14	13	12	11	10	9	8	7	6	5	4	3	2	1	0
Name																
Type																
Reset																

Bit(s)	Name	Description
--------	------	-------------

2.5.3.3.2 I2C-2

Module name: I2C-2 Base address: (+830a0000h)

Address	Name	Width	Register Function
830A0240	<u>MM PAD CON0</u>	16	Pad Control
830A0244	<u>MM CNT VAL PHL</u>	16	Counting Value Phase Low
830A0248	<u>MM CNT VAL PHH</u>	16	Counting Value Phase High
830A024C	<u>MM CNT VAL HS PHL</u>	16	Counting Value High-Speed Phase Low
830A0250	<u>MM CNT VAL HS PHH</u>	16	Counting Value High-Speed Phase High
830A0254	<u>MM CNT BYTE VAL PK0</u>	16	Byte value of packet 0
830A0258	<u>MM CNT BYTE VAL PK1</u>	16	Byte value of packet 1
830A025C	<u>MM CNT BYTE VAL PK2</u>	16	Byte value of packet 2
830A0260	<u>MM ID CON0</u>	16	ID Control 0
830A0264	<u>MM ID CON1</u>	16	ID Control 1
830A0268	<u>MM PACK CON0</u>	16	Packet Control
830A026C	<u>MM ACK VAL</u>	16	Ack Value
830A0270	<u>MM CON0</u>	16	I2C Control
830A0274	<u>MM STATUS</u>	16	I2C Status
830A0278	<u>MM FIFO CON0</u>	16	FIFO Control
830A027C	<u>MM FIFO DATA</u>	16	FIFO Data Write/Read
830A0280	<u>MM FIFO STATUS</u>	16	FIFO Status
830A0284	<u>MM FIFO PTR</u>	16	FIFO Pointer
830A02C0	<u>DMA CON0</u>	16	DMA Control
830A02FC	<u>RESERVED0</u>	16	Reserved CR

830A0240 MM PAD CON0 Pad Control 00000000

Bit	31	30	29	28	27	26	25	24	23	22	21	20	19	18	17	16
Name																
Type																
Reset																
Bit	15	14	13	12	11	10	9	8	7	6	5	4	3	2	1	0
Name									SY NC _E N	SD A_ DR VH _E N	SC L_ DR VH _E N	DE_CNT				
Type									RW	RW	RW	RW				
Reset									0	0	0	0	0	0	0	0

Bit(s)	Name	Description
--------	------	-------------

Bit(s)	Name	Description
7	SYNC_EN	Set 1 to enable the I2C internal synchronization functions on sda_i and scl_i, inducing 2 cycles of latency. Set 1 to enable SDA pad driving high. Default is pull high. Set 1 to enable SCL pad driving high. Default is pull high. Deglitch counting number. Set 0 to disable the deglitch circuit.
6	SDA_DRVH_EN	
5	SCL_DRVH_EN	
4:0	DE_CNT	

830A0244 MM_CNT_VAL_PHL Counting Value Phase Low 0000FFFF

Bit	31	30	29	28	27	26	25	24	23	22	21	20	19	18	17	16
Name																
Type																
Reset																
Bit	15	14	13	12	11	10	9	8	7	6	5	4	3	2	1	0
Name	MM_CNT_PHASE_VAL1								MM_CNT_PHASE_VAL0							
Type	RW								RW							
Reset	1	1	1	1	1	1	1	1	1	1	1	1	1	1	1	1

Bit(s)	Name	Description
15:8	MM_CNT_PHASE_VAL1	Phase 1 counting value. SCL rising edge to SDA timing. The STOP condition period. Unit: Depends on XTAL frequency (1/XTAL_FREQ)
7:0	MM_CNT_PHASE_VAL0	

830A0248 MM_CNT_VAL_PHH Counting Value Phase High 0000FFFF

Bit	31	30	29	28	27	26	25	24	23	22	21	20	19	18	17	16
Name																
Type																
Reset																
Bit	15	14	13	12	11	10	9	8	7	6	5	4	3	2	1	0
Name	MM_CNT_PHASE_VAL3								MM_CNT_PHASE_VAL2							
Type	RW								RW							
Reset	1	1	1	1	1	1	1	1	1	1	1	1	1	1	1	1

Bit(s)	Name	Description
15:8	MM_CNT_PHASE_VAL3	Phase 3 counting value. SCL falling edge to SDA timing. The data hold time. Unit: Depends on XTAL frequency (1/XTAL_FREQ)
7:0	MM_CNT_PHASE_VAL2	

Bit(s)	Name	Description
		Unit: Depends on XTAL frequency (1/XTAL_FREQ)

830A024C MM_CNT_VAL_HS_PHL Counting Value High-Speed Phase Low **0000FFFF**

Bit	31	30	29	28	27	26	25	24	23	22	21	20	19	18	17	16
Name																
Type																
Reset																
Bit	15	14	13	12	11	10	9	8	7	6	5	4	3	2	1	0
Name																
Type																
Reset																

Bit(s)	Name	Description
--------	------	-------------

830A0250 MM_CNT_VAL_HS_PHH Counting Value High-Speed Phase High **0000FFFF**

Bit	31	30	29	28	27	26	25	24	23	22	21	20	19	18	17	16
Name																
Type																
Reset																
Bit	15	14	13	12	11	10	9	8	7	6	5	4	3	2	1	0
Name																
Type																
Reset																

Bit(s)	Name	Description
--------	------	-------------

830A0254 MM_CNT_BYTE_VAL_PKo Byte value of packet **00000000**

Bit	31	30	29	28	27	26	25	24	23	22	21	20	19	18	17	16
Name																
Type																
Reset																

Bit	15	14	13	12	11	10	9	8	7	6	5	4	3	2	1	0
Name	MM_CNT_BYTE_VAL_PK0															
Type	RW															
Reset	0	0	0	0	0	0	0	0	0	0	0	0	0	0	0	0

Bit(s)	Name	Description
15:0	MM_CNT_BYTE_VAL_PK0	The first packet length for general case. But in normal read mode, it need to set the read data length.

830A0258 MM_CNT_BYTE_VAL_PK1 **00000000**
Byte value of packet 1
L PK1

Bit	31	30	29	28	27	26	25	24	23	22	21	20	19	18	17	16
Name																
Type																
Reset																
Bit	15	14	13	12	11	10	9	8	7	6	5	4	3	2	1	0
Name	MM_CNT_BYTE_VAL_PK1															
Type	RW															
Reset	0	0	0	0	0	0	0	0	0	0	0	0	0	0	0	0

Bit(s)	Name	Description
15:0	MM_CNT_BYTE_VAL_PK1	The second packet length for general case.

830A025C MM_CNT_BYTE_VAL_PK2 **00000000**
Byte value of packet 2
L PK2

Bit	31	30	29	28	27	26	25	24	23	22	21	20	19	18	17	16
Name																
Type																
Reset																
Bit	15	14	13	12	11	10	9	8	7	6	5	4	3	2	1	0
Name	MM_CNT_BYTE_VAL_PK2															
Type	RW															
Reset	0	0	0	0	0	0	0	0	0	0	0	0	0	0	0	0

Bit(s)	Name	Description
15:0	MM_CNT_BYTE_VAL_PK2	The third packet length for general case.

830A0260 MM_ID_CON0 ID Control 0 00000038

Bit	31	30	29	28	27	26	25	24	23	22	21	20	19	18	17	16
Name																
Type																
Reset																
Bit	15	14	13	12	11	10	9	8	7	6	5	4	3	2	1	0
Name										MM_SLAVE_ID						
Type										RW						
Reset										0	1	1	1	0	0	0

Bit(s)	Name	Description
6:0	MM_SLAVE_ID	The slave address.

830A0264 MM_ID_CON1 ID Control 1 0000000F

Bit	31	30	29	28	27	26	25	24	23	22	21	20	19	18	17	16
Name																
Type																
Reset																
Bit	15	14	13	12	11	10	9	8	7	6	5	4	3	2	1	0
Name																
Type																
Reset																

Bit(s)	Name	Description
--------	------	-------------

830A0268 MM_PACK_CON0 Packet Control 00000000

Bit	31	30	29	28	27	26	25	24	23	22	21	20	19	18	17	16
Name																
Type																
Reset																
Bit	15	14	13	12	11	10	9	8	7	6	5	4	3	2	1	0
Name											MM_PACK_VAL		M M_ PA CK _R W]	M M_ PA CK _R W]	M M_ PA CK _R W]	M M_ PA CK _R W]

Type																
Reset																
Bit	15	14	13	12	11	10	9	8	7	6	5	4	3	2	1	0
Name	MASTER_EN	MM_GMODE														MM_START_EN
Type	RW	RW														RW
Reset	0	0														0

Bit(s)	Name	Description
15	MASTER_EN	Master enable
14	MM_GMODE	Master general mode enable. 0: Normal mode. BYTE_VAL_PK0/1/2 is disabled for TX, I2C stops as TX FIFO is empty. BYTE_VAL_PK1/2 is disabled for RX, while BYTE_VAL_PK0 is used to indicate the byte count to be read. 1: General mode. This mode supports up to 3 packet transfer, which the length is defined by BYTE_VAL_PK0/1/2 respectively.
0	MM_START_EN	Master starts transfer trigger. When DSP write 1 to this bit, the hardware initiates to transfer data until BUS_BUSY equals 0. When data starts to transfer, this bit will go to low immediately.

830A0274 MM STATUS I2C Status 00000004

Bit	31	30	29	28	27	26	25	24	23	22	21	20	19	18	17	16
Name																
Type																
Reset																
Bit	15	14	13	12	11	10	9	8	7	6	5	4	3	2	1	0
Name														MM_START_READY	MM_ARB_HAD_LOSE	BUS_BUSY
Type														RO	RO	RO
Reset														1	0	0

Bit(s)	Name	Description
2	MM_START_READY	The master is ready for start trigger when read 1. When DSP set MM_START_EN to 1, this will go to low immediately. When data transfers finished, this signal will go to high. DSP can read this bit to decide the next data packet transfer.
1	MM_ARB_HAD_LOSE	The master had an arbitration lose when read 1. DSP writes 1 to clear this bit.

Bit(s)	Name	Description
0	BUS_BUSY	The SDA and SCL are active when read 1. When the START signal was detected on I2C, the BUS_BUSY will set to high. When the STOP signal is detected on the bus, the BUS_BUSY will set to low.

830A0278 MM_FIFO_CON0 FIFO Control 00000000

Bit	31	30	29	28	27	26	25	24	23	22	21	20	19	18	17	16
Name																
Type																
Reset																
Bit	15	14	13	12	11	10	9	8	7	6	5	4	3	2	1	0
Name															MM_TX_FIFO_CLR	MM_RX_FIFO_CLR
Type															W1C	W1C
Reset															0	0

Bit(s)	Name	Description
1	MM_TX_FIFO_CLR	Clear the master TX FIFO when write 1.
0	MM_RX_FIFO_CLR	Clear the master RX FIFO when write 1.

830A027C MM_FIFO_DATA FIFO Data Write/Read 00000000

Bit	31	30	29	28	27	26	25	24	23	22	21	20	19	18	17	16
Name																
Type																
Reset																
Bit	15	14	13	12	11	10	9	8	7	6	5	4	3	2	1	0
Name									MM_DATA_W/R_REG							
Type									RW							
Reset									0	0	0	0	0	0	0	0

Bit(s)	Name	Description
7:0	MM_DATA_W/R_REG	Write/Read to push/pop data into/from TX/RX FIFO. (FIFO Depth: 8 bytes)

830A0280 MM_FIFO_STATUS FIFO Status 00000011

Bit	31	30	29	28	27	26	25	24	23	22	21	20	19	18	17	16
Name																
Type																
Reset																
Bit	15	14	13	12	11	10	9	8	7	6	5	4	3	2	1	0
Name									M M TX _FI FO _O VF	M M TX _FI FO _U ND R	M M TX _FI FO _F UL	M M TX _FI FO _E MP	M M RX _FI FO _O VF	M M RX _FI FO _U ND R	M M RX _FI FO _F UL	M M RX _FI FO _E MP
Type									RO	RO	RO	RO	RO	RO	RO	RO
Reset									0	0	0	1	0	0	0	1

Bit(s)	Name	Description
7	MM_TX_FIFO_OVF	Master TX FIFO overflow. It can only be cleared when write MM_TX_FIFO_CLR 1.
6	MM_TX_FIFO_UNDR	Master TX FIFO underflow. It can only be cleared when write MM_TX_FIFO_CLR 1.
5	MM_TX_FIFO_FULL	Master TX FIFO full.
4	MM_TX_FIFO_EMP	Master TX FIFO empty.
3	MM_RX_FIFO_OVF	Master RX FIFO overflow. It can only be cleared when write MM_RX_FIFO_CLR 1.
2	MM_RX_FIFO_UNDR	Master RX FIFO underflow. It can only be cleared when write MM_RX_FIFO_CLR 1.
1	MM_RX_FIFO_FULL	Master RX FIFO full.
0	MM_RX_FIFO_EMP	Master RX FIFO empty.

830A0284 MM_FIFO_PTR FIFO Pointer 00000000

Bit	31	30	29	28	27	26	25	24	23	22	21	20	19	18	17	16
Name																
Type																
Reset																
Bit	15	14	13	12	11	10	9	8	7	6	5	4	3	2	1	0
Name	MM_TX_FIFO_WPTR				MM_TX_FIFO_RPTR				MM_RX_FIFO_WPTR				MM_RX_FIFO_RPTR			
Type	RO				RO				RO				RO			
Reset	0	0	0	0	0	0	0	0	0	0	0	0	0	0	0	0

Bit(s)	Name	Description
15:12	MM_TX_FIFO_WPTR	Master TX FIFO write pointer
11:8	MM_TX_FIFO_RPTR	Master TX FIFO read pointer
7:4	MM_RX_FIFO_WPTR	Master RX FIFO write pointer
3:0	MM_RX_FIFO_RPTR	Master RX FIFO read pointer

Bit(s)	Name	Description
--------	------	-------------

830A02Co DMA CONo DMA Control 00000000

Bit	31	30	29	28	27	26	25	24	23	22	21	20	19	18	17	16
Name																
Type																
Reset																
Bit	15	14	13	12	11	10	9	8	7	6	5	4	3	2	1	0
Name																
Type																
Reset																

Bit(s)	Name	Description
--------	------	-------------

830A02FC RESERVEDo Reserved CR 00000002

Bit	31	30	29	28	27	26	25	24	23	22	21	20	19	18	17	16
Name																
Type																
Reset																
Bit	15	14	13	12	11	10	9	8	7	6	5	4	3	2	1	0
Name																
Type																
Reset																

Bit(s)	Name	Description
--------	------	-------------

2.5.4 Auxiliary ADC

2.5.4.1 General Description

MT76X7 features one auxiliary ADC function. The ADC function contains a 4-channel analog switch, a single-end input asynchronous 12-bit SAR (Successive Approximation Register) ADC, and a digital averaging function. The digital averaging function can perform on-the-fly averaging function of 1/2/4/8/16/32/64 points. The ADC features the dithering function to enhance the DNL performance.

2.5.4.2 Function

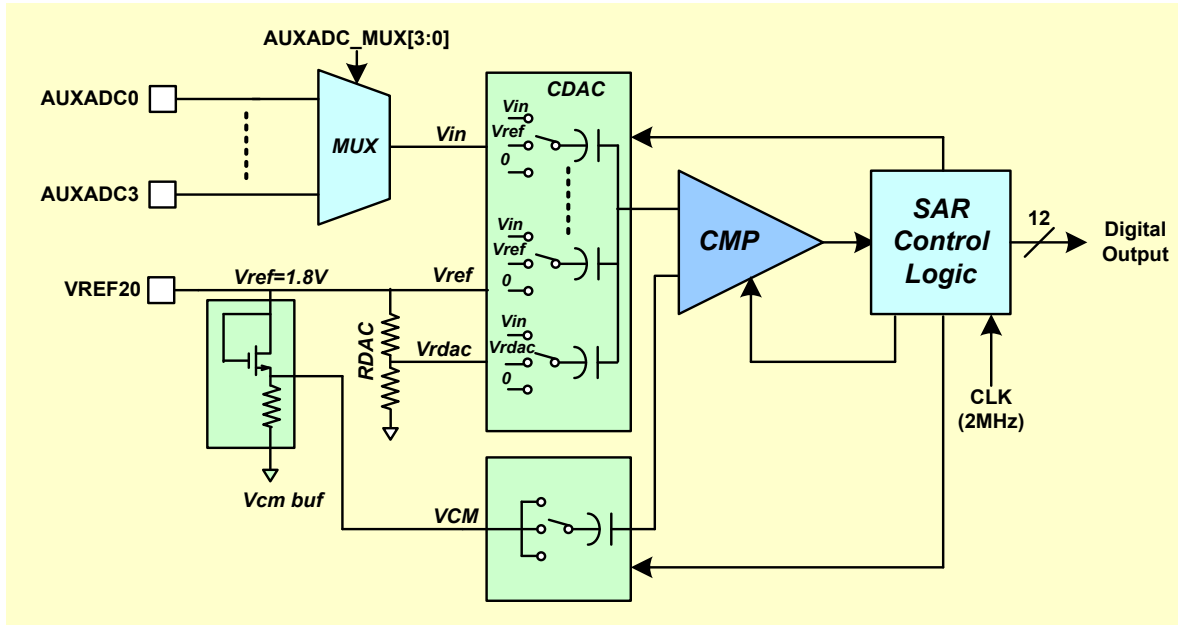


Figure 2-45. Auxiliary ADC Block Diagram (Analog Part)

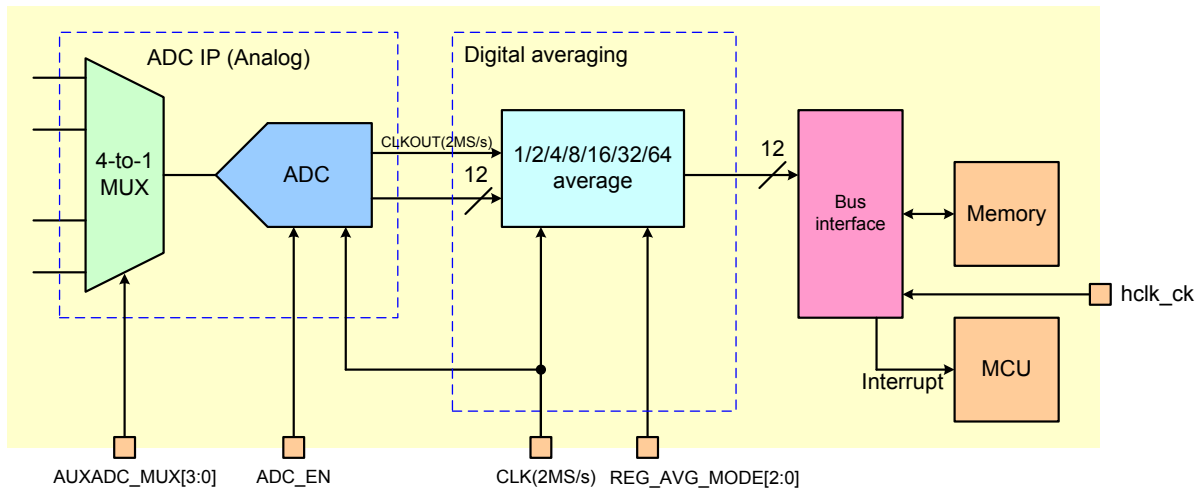


Figure 2-46. Auxiliary ADC Block Diagram

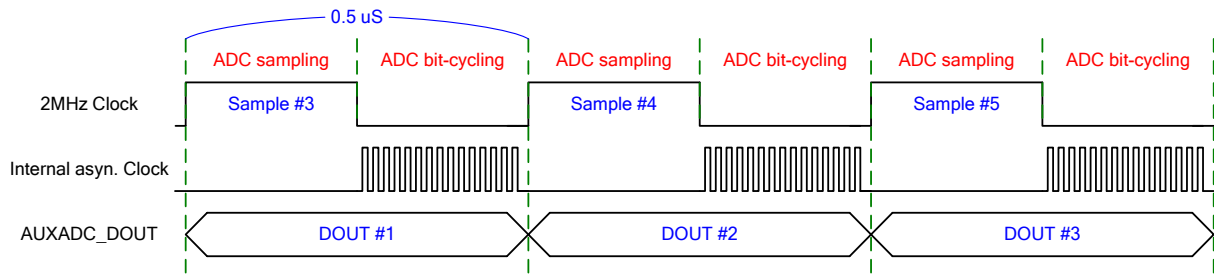


Figure 2-47. Auxiliary ADC Clock Timing Diagram

Auxiliary ADC Features:

- Input channel number: 4 channels
- Sampling and output data rate: 2MS/s
- DNL without dithering and averaging: $<\pm 2\text{LSB}$
- DNL with dithering and averaging: $<\pm 1\text{LSB}$
- Dithering function: 16 levels with step size of 4LSB.

2.5.4.3 Auxiliary ADC Digital Averaging FSM

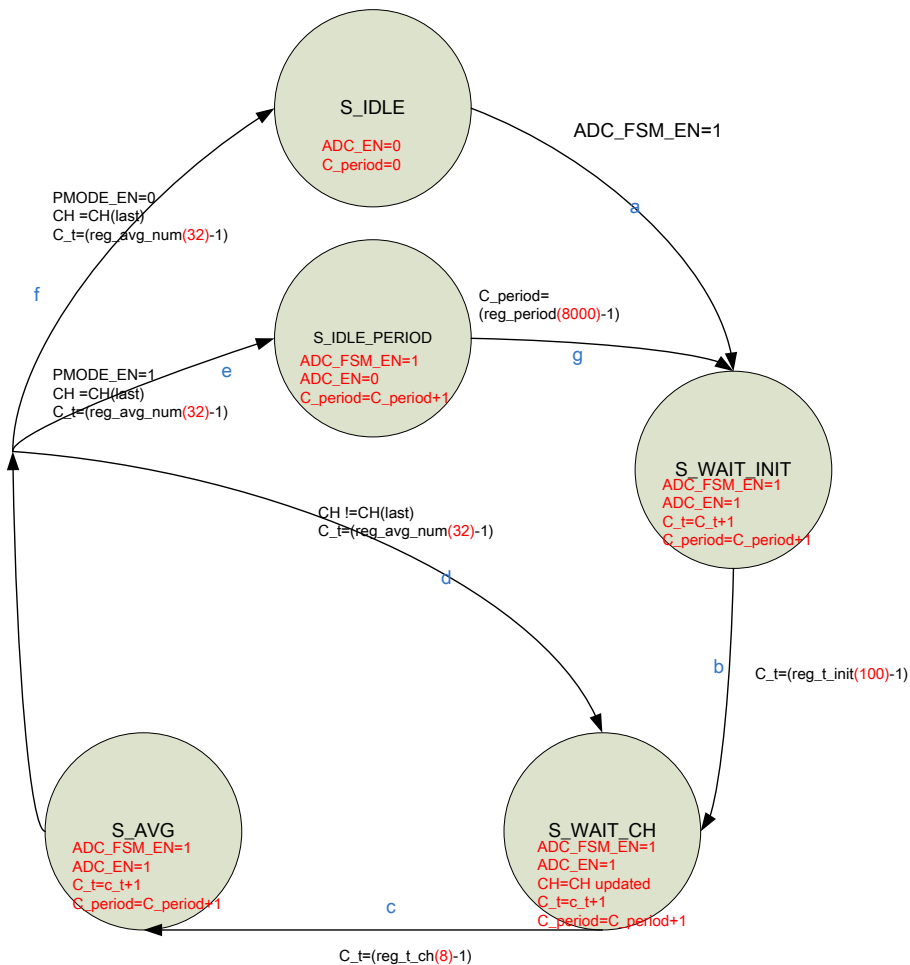


Figure 2-48. Auxiliary ADC digital averaging FSM

2.5.4.3.1 FSM operation example

1. State=S_IDLE, set REG_CH_MAP[15:0] =16'b1000_0100_1111_1010 , then set ADC_FSM_EN=1(a) to enable FSM, then change to next state.
2. State=S_WAIT_INIT, ADC_EN=1 to enable ADC hardware, C_t count from 0 to C_t=reg_t_init(100)-1 (b) for ADC initial stable time, then change to next state
3. State=S_WAIT_CH, CH update as CH1(init)(REG_CH_MAP[15:0] =16'b1000_0100_1111_1010),C_t count from 0 to C_t=reg_t_ch(8)-1 (c) for CH stable time , then change to next state
4. State=S_AVG, C_t count from 0 to C_t=reg_avg_num(32)-1 (d) for sample average number, The averaged sample will also be written to FIFO at this moment, then change to next state.
5. State=S_WAIT_CH, CH update as CH3(16'b1000_0100_1111_1010), then repeat step (c) and (d) .

6. State=S_AVG, if CH=CH15(last channel for REG_CH_MAP[15:0] =16'b1000_0100_1111_1010) and C_t=32-1 (e) , because PMODE_EN=1, the state will be changed to S_IDLE_PERIOD.
7. State=S_IDLE_PERIOD, FSM HW keep ADC_FSM_EN as 1, but change ADC_EN=0 to disable ADC Hardware for power saving, when C_peroid count to reg_period (8000)-1 (g) , the state will be changed to S_WAIT_INIT.
8. Repeat step 2~7 for 8ms non-stop periodic operation.

If the PMODE_EN=0 and CH equals the last CH number of the CH bit map register, the state will go back to S_IDLE state and ADC_EN will be set as 1'b0 by FSM. User should set ADC_FSM_EN=0 before enable the next run (Re-start from step1).

2.5.4.3.2 Format of each average sample:

Each 12 bit averaged sample data will be combined with CH number information(4bits) to composite an 16 bits and write to fifo

(In our REG_CH_MAP[15:0] =16'b1000_0100_1111_1010 case, CH sequence is 1,3,4,...15)

FIFO[0]= {sample0[15:0], CH1[3:0]}

FIFO[1]= {sample1[15:0], CH3[3:0]}

FIFO[2]= {sample2[15:0], CH4[3:0]}

...

FIFO[7]= {sample7[15:0], CH15[3:0]}

2.5.4.4 ADC FIFO Access

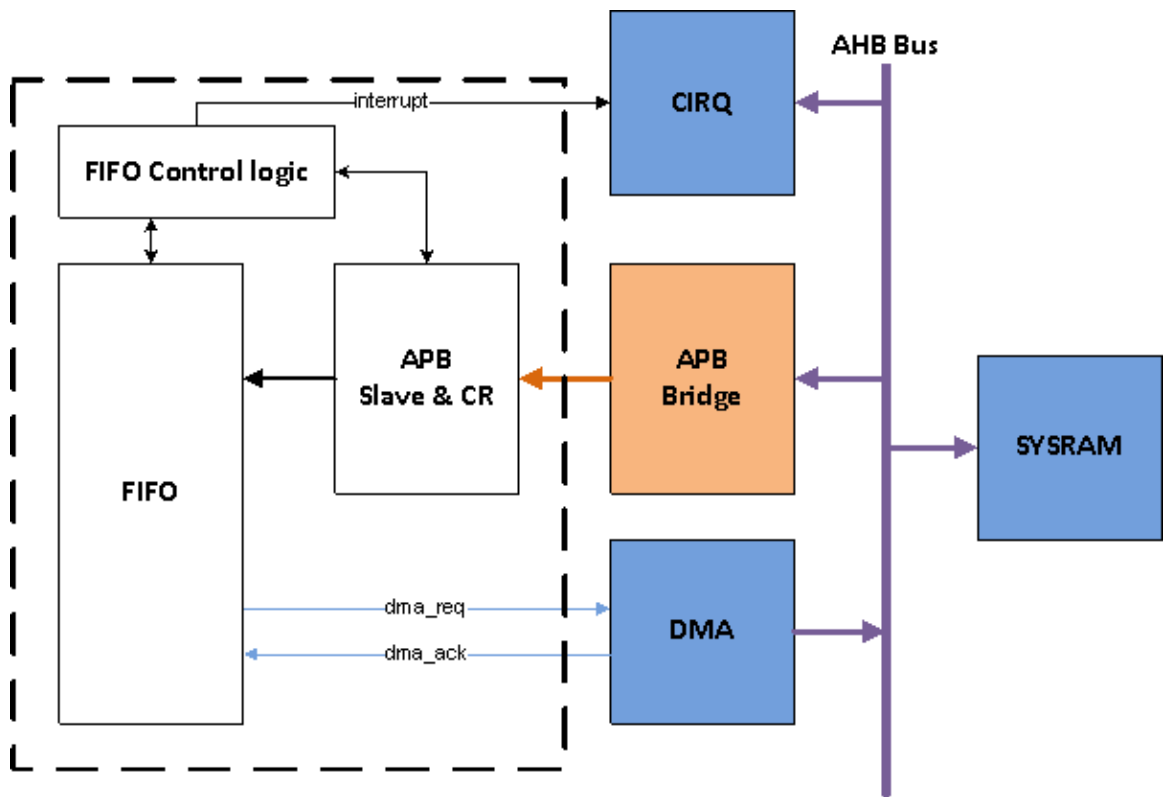


Figure 2-49. Auxiliary ADC FIFO access block diagram

2.5.4.4.1 Feature of the I/O interface:

- APB interface
- HW handshake with DMA
- An interrupt to CIRQ (fifo full/over threshold/timeout)
- Support both CPU direct mode/DMA mode

2.5.4.4.2 Sequence of DMA mode: (Recommended use)

1. Set DMA VFIFO channel
2. Set ADC FIFO to dma mode
3. ADC put data into FIFO

4. assert dma_req if you want dma move data from fifo to sysram
5. deassert dma_req after dma_ack received
6. dma will read data through apb slave interface.(fixed address).
7. dma will write this data into sysram.
8. Repeat 3~7
9. When sysram over the threshold ,dma will assert an interrupt to CPU.

2.5.4.4.3 Sequence of CPU direct access mode (SW mode):

- ADC put data into FIFO
- Need additional maintain a GPT interrupt to CPU. GPT time should be SW control and guarantee longer than ADC conversion time.
- CPU read RX_PTR and calculate RX data length n
- CPU read data port n times

Note: In this mode, ADC_IER[0] (RXFEN) should be set 0 to disable ADC_FIFO interrupt.

2.5.4.5 Programming Sequence

All channels, 32 samples average, 125Hz(8ms) operation frequency for example.

Steps:

0. Start up setting before enable AUXADC.

- Set RG_PMU_03[22]=1 and RG_PMU_03[14]=1
- Set ADC_CTL4[29:28]=2'b10, ADC_CTL4[31]=1, ADC_CTL3[17:16]=2'b11
- ADC_CTL3[31:0]=32'h70F3AA15
- Set RG_PMU_14[1]=1 (RG_ALDO_EN_ADC), then wait 200us for 2.5V output ready.

1. ADC_EN will be set to 1 when user set ADC_FSM_EN to enable ADC control FSM.

2. wait 100 clock cycles for ADC reference generator settled

3. AUXADC_MUX will change to the target channel depends on the REG_CH_MAP setting.

4. wait 8 clock cycles for channel switches settled & ADC latency (2 clock cycles)

5. 32 clock cycles for averaging

6. repeat step 3~5 for all channels

7. ADC_EN will be set to 0 when ADC control FSM goes to IDLE state.

8. User can disable ALDO after disable AUXADC for power saving.

- Set RG_PMU_14[1]=0 (RG_ALDO_EN_ADC)
- Note: If the ALDO on/off period smaller than 200ms, we suggest let ALDO keep on to reduce power consumption.

$$I_{avg} = \Delta Q / \Delta T = (2.1\mu F * 2.5V) / 200ms = 26.25\mu A \approx \text{quiescent current } 26\mu A$$

2.5.4.6 Auxiliary ADC Clock Source

By below diagram, the `adc_clk_clk_mux` can select three difference clock sources for AUXADC Contrl/Macro.

- From AUXADC clock divider
- From 8-1 multiplexer output of PMU buck input clock delay chain
- From PMU buck output clock

The default setting/path is marked as red color to get a better AUXADC SNR performance.

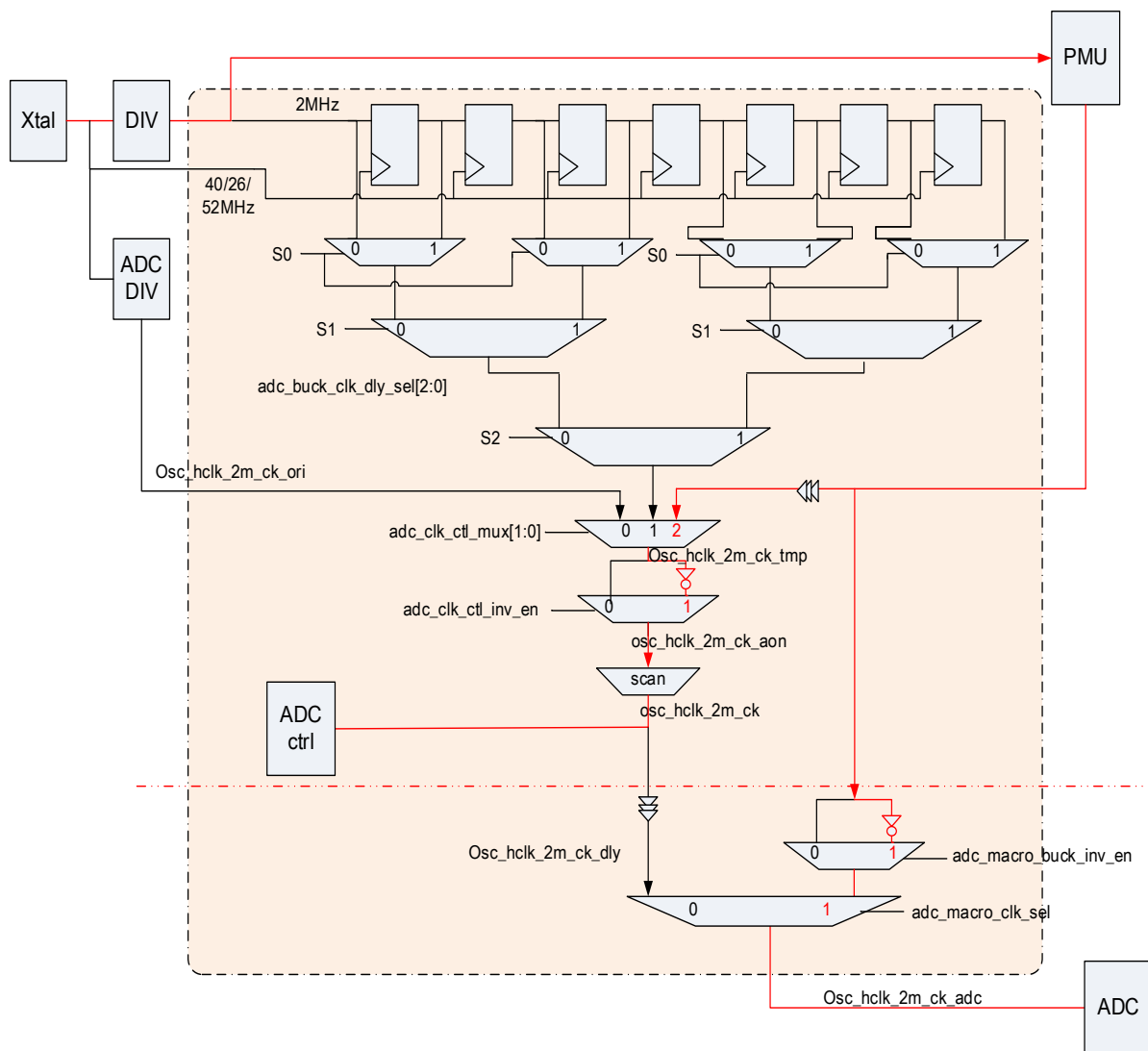


Figure 2-50. Auxiliary ADC clock source diagram

2.5.4.7 Register Definitions

2.5.4.7.1 Configure Control

Module name: `top_cfg_aon_cm4` Base address: `(+83008000h)`

Address	Name	Width	Register Function
83008180	<u>ADC CTL0</u>	32	AUXADC control register 0
83008184	<u>ADC CTL1</u>	32	AUXADC control register 1
83008188	<u>ADC CTL2</u>	32	AUXADC control register 2
8300818C	<u>ADC CTL3</u>	32	AUXADC control register 3
83008190	<u>ADC CTL4</u>	32	AUXADC control register 4

83008180		ADC CTL0										AUXADC control register 0						03FFC98A	
Bit	31	30	29	28	27	26	25	24	23	22	21	20	19	18	17	16			
Name	REG_CH_MAP																		
Type	RW																		
Reset	0	0	0	0	0	0	1	1	1	1	1	1	1	1	1	1			
Bit	15	14	13	12	11	10	9	8	7	6	5	4	3	2	1	0			
Name	REG_T_INIT							PMODE_EN	REG_T_CH				REG_AVG_MODE			ADFSMEN			
Type	RW							RW	RW				RW			RW			
Reset	1	1	0	0	1	0	0	1	1	0	0	0	1	0	1	0			

Bit(s)	Name	Description
31:16	REG_CH_MAP	ADC Channel bit map register, you can enable random CH by setting each corresponding bit EX: REG_CH_MAP[15:0] =16'b1000_0100_1111_1010 => Channel # 1,3,4,5,6,7,10 and 15 is enable. Note: User should set the adc_fifo register "RX_TRI_LVL" according to the channel number. For above example is 8 channels enable, so the "RX_TRI_LVL" should set to 4'd8.
15:9	REG_T_INIT	ADC initial stable time value
8	PMODE_EN	Periodic mode enable 1'b0: FSM will run one time then back to IDLE state 1'b1: FSM will run periodically (non-stop)
7:4	REG_T_CH	ADC Channel stable time value
3:1	REG_AVG_MODE	Select ADC sample average number 3'd0: avg 1 sample (REG_AVG_NUMBER=1) 3'd1: avg 2 samples (REG_AVG_NUMBER=2) 3'd2: avg 4 samples (REG_AVG_NUMBER=4) 3'd3: avg 8 samples (REG_AVG_NUMBER=8) 3'd4: avg 16 samples (REG_AVG_NUMBER=16) 3'd5: avg 32 samples (REG_AVG_NUMBER=32) 3'd6: avg 64 samples (REG_AVG_NUMBER=64) 3'd7: avg 64 samples (REG_AVG_NUMBER=64)

Bit(s)	Name	Description
0	ADC_FSM_EN	ADC FSM enable 1'b0: Force ADC FSM in IDLE state 1'b1: ADC FSM start to run

83008184 ADC_CTL1 AUXADC control register 1 00001F40

Bit	31	30	29	28	27	26	25	24	23	22	21	20	19	18	17	16
Name	REG_PERIOD															
Type	RW															
Reset	0	0	0	0	0	0	0	0	0	0	0	0	0	0	0	0
Bit	15	14	13	12	11	10	9	8	7	6	5	4	3	2	1	0
Name	REG_PERIOD															
Type	RW															
Reset	0	0	0	1	1	1	1	1	0	1	0	0	0	0	0	0

Bit(s)	Name	Description
31:0	REG_PERIOD	The clock cycle count period in periodic mode

83008188 ADC_CTL2 AUXADC control register 2 0000FFFO

Bit	31	30	29	28	27	26	25	24	23	22	21	20	19	18	17	16	
Name	RESERVED											REG_ADC_TIMESTAMP_EN	REG_ADC_DATA_SYNC_MODE	RO_ADC_COMP_FLAG			
Type	RO											RW	RW	RO			
Reset	0	0	0	0	0	0	0	0	0	0	0	0	0	0	0	0	
Bit	15	14	13	12	11	10	9	8	7	6	5	4	3	2	1	0	
Name	REG_COMP_THRESHOLD											REG_COMP_IRQ_EN					
Type	RW											RW					
Reset	1	1	1	1	1	1	1	1	1	1	1	1	0	0	0	0	

Bit(s)	Name	Description
31:22	RESERVED	Reserved
21	REG_ADC_TIMESTAMP_EN	Free-run counter enable for timestamp.
20	REG_ADC_DATA_SYNC_MODE	AUXADC_DOUT is sampled by ADC_CLK_OUT. 1'b0: positive edge sample. 1'b1: negative edge sample.
19:16	RO_ADC_COMP_FLAG	Indicate which channel trigger the adc_comp_irq_b.

Bit(s)	Name	Description
15:4	REG_COMP_THRESHOLD	Bit0~3 means CHO~3. Comparator mode threshold value. When ADC result is larger than this value, the interrupt (adc_comp_irq_b) will be assert.
3:0	REG_COMP_IRQ_EN	Comparator mode IRQ enable. Bit0~3 means CHO~3.

8300818C ADC_CTL3 AUXADC control register 3 FoFoAA55

Bit	31	30	29	28	27	26	25	24	23	22	21	20	19	18	17	16
Name	REG_AUXADC															
Type	RW															
Reset	1	1	1	1	0	0	0	0	1	1	1	1	0	0	0	0
Bit	15	14	13	12	11	10	9	8	7	6	5	4	3	2	1	0
Name	REG_AUXADC															
Type	RW															
Reset	1	0	1	0	1	0	1	0	0	1	0	1	0	1	0	1

Bit(s)	Name	Description
31:0	REG_AUXADC	AUXADC analog macro settings. RG_AUXADC[31]:AUXADC VCM generator setting 1'd 0:When VREF=2.5V(default for MT76x7) 1'd 1:When VREF=1.8V RG_AUXADC[30:18]: reserved register RG_AUXADC[17]: Register to select the clock source of ADC macro. 1'd0: The same as ADC controller 1'd1: PMU buck output clock RG_AUXADC[16]: Register to invert PMU buck output clock for ADC macro clock source. 1'd0: Keep original clock 1'd1: Invert original clock RG_AUXADC[15]: AUXADC clock generator enable to generate difference clock phase for ADC , ex clk1, clk1b, clk2, clk2b 1'd 0:disable 1'd 1:enable(default) RG_AUXADC[14]: reserved register RG_AUXADC[13]: enable VCM(common-mode voltage) generator 1'd 0: 1'd 1:enable(default) RG_AUXADC[12]: reserved register RG_AUXADC[11]: AUXADC input MUX enable 1'd 0:disable 1'd 1:enable(default) RG_AUXADC[10]: reserved register RG_AUXADC[9:8]: Dithering function step size 2'd 0: 2 steps 2'd 1: 4 steps 2'd 2: 8 steps (default) 2'd 3: 16 steps RG_AUXADC[7]: reserved register RG_AUXADC[6]: Dithering function enable.

Bit(s)	Name	Description
		1'd 0:disable 1'd 1:enable RG_AUXADC[5]: reserved register RG_AUXADC[4]: comparator pre-amplifier enable. 1'd 0:disable 1'd 1:enable RG_AUXADC[3:2]: comparator pre-amplifier current 2'd 0: 40uA(typical corner) 2'd 1: 80uA (typical corner) 2'd 2: 160uA(typical corner) 2'd 3: 160uA (typical corner) RG_AUXADC[1:0]: comparator timing loop delay time 2'd 0: 3ns(typical corner) 2'd 1: 6ns(typical corner) 2'd 2: 9ns(typical corner) 2'd 3: 12ns(typical corner)

83008190 ADC_CTL4 **AUXADC control register 4** **00000000**

Bit	31	30	29	28	27	26	25	24	23	22	21	20	19	18	17	16
Name	adc_clk_ctl_inv_en	RESERVED	adc_clk_ctl_mux		RESERVED	adc_buck_clk_dly_sel			RESERVED							
Type	RW	RO	RW		RO	RW			RO							
Reset	0	0	0	0	0	0	0	0	0	0	0	0	0	0	0	0
Bit	15	14	13	12	11	10	9	8	7	6	5	4	3	2	1	0
Name	RESERVED														cr_adc_en_sw	cr_adc_en_sw_sel
Type	RO														RW	RW
Reset	0	0	0	0	0	0	0	0	0	0	0	0	0	0	0	0

Bit(s)	Name	Description
31	adc_clk_ctl_inv_en	Register to invert 3-1 multiplexer output clock for ADC controller clock source 1'b0: Keep original clock 1'b1: Invert original clock
30	RESERVED	Reserved
29:28	adc_clk_ctl_mux	Register to select 3-1 multiplexer output as the clock source of ADC controller 2'b00: Clock source is from ADC clock divider 2'b01: Clock source is from 8 to 1 multiplexer output of PMU buck input clock delay chain 2'b10: Clock source is from PMU buck output clock
27	RESERVED	Reserved
26:24	adc_buck_clk_dly_sel	Register to select 8-1 multiplexer output of PMU buck input clock delay chain as ADC controller clock source 3'b000: No delay of PMU buck input clock 3'b001: 1 Xtal clock delay of PMU buck input clock

Bit(s)	Name	Description
23:2	RESERVED 3'b111: 7 Xtal clock delay of PMU buck input clock
1	cr_adc_en_sw	Reserved
0	cr_adc_en_sw_sel	adc_en software control adc_en software mode select or not
		1'b0: adc_en control by hardware fsm 1'b1: adc_en control by "cr_adc_en_sw"

2.5.4.7.2 FIFO Control

Module name: **adc_fifo** Base address: (+830d0000h)

Address	Name	Width	Register Function
830D0000	<u>ADC RBR</u>	32	RX Buffer Register
830D0004	<u>ADC IER</u>	32	Interrupt Enable Register
830D0008	<u>ADC IIR</u>	32	Interrupt Identification Register
830D0008	<u>ADC FIFOCTRL</u>	32	FIFO Control Register
830D000C	<u>ADC FAKELCR</u>	32	Fake Control Register
830D0014	<u>ADC LSR</u>	32	Line Status Register
830D0048	<u>ADC SLEEP_EN</u>	32	Sleep Enable Register
830D004C	<u>ADC DMA_EN</u>	32	DMA Enable Register
830D0054	<u>ADC RTOCNT</u>	32	RX Timeout Count
830D0060	<u>ADC TRI_LVL</u>	32	TRX FIFO Trigger Level Register
830D0064	<u>ADC WAK</u>	32	Wakeup Register
830D0068	<u>ADC WAT_TIME</u>	32	Asynchronous Timer Register
830D006C	<u>ADC HANDSHAKE</u>	32	New Handshake Control Register
830D0070	<u>ADC_DEBUG_RX_FIFO_0</u>	32	RX FIFO Address 0 Debug Register
830D0074	<u>ADC_DEBUG_RX_FIFO_1</u>	32	RX FIFO Address 1 Debug Register
830D0078	<u>ADC_DEBUG_RX_FIFO_2</u>	32	RX FIFO Address 2 Debug Register
830D007C	<u>ADC_DEBUG_RX_FIFO_3</u>	32	RX FIFO Address 3 Debug Register
830D0080	<u>ADC_DEBUG_RX_FIFO_4</u>	32	RX FIFO Address 4 Debug Register
830D0084	<u>ADC_DEBUG_RX_FIFO_5</u>	32	RX FIFO Address 5 Debug Register
830D0058	<u>ADC_DEBUG_RX_FIFO_6</u>	32	RX FIFO Address 6 Debug Register
830D008C	<u>ADC_DEBUG_RX_FIFO_7</u>	32	RX FIFO Address 7 Debug Register
830D0090	<u>ADC_DEBUG_RX_FIFO_8</u>	32	RX FIFO Address 8 Debug Register
830D0094	<u>ADC_DEBUG_RX_FIFO_9</u>	32	RX FIFO Address 9 Debug Register
830D0098	<u>ADC_DEBUG_RX_FIFO_10</u>	32	RX FIFO Address 10 Debug Register

Address	Name	Width	Register Function
	<u>O a</u>		
830D009C	<u>ADC_DEBUG_RX_FIFO_b</u>	32	RX FIFO Address 11 Debug Register
830D00A0	<u>ADC_DEBUG_RX_FIFO_c</u>	32	RX FIFO Address 12 Debug Register
830D00A4	<u>ADC_DEBUG_RX_FIFO_d</u>	32	RX FIFO Address 13 Debug Register
830D00A8	<u>ADC_DEBUG_RX_FIFO_e</u>	32	RX FIFO Address 14 Debug Register
830D00AC	<u>ADC_DEBUG_RX_FIFO_f</u>	32	RX FIFO Address 15 Debug Register
830D00D4	<u>ADC_DEBUG_RX_PTR</u>	32	RX FIFO Pointer Debug Register

830D0000 ADC_RBR RX Buffer Register 00000000

Bit	31	30	29	28	27	26	25	24	23	22	21	20	19	18	17	16
Name	ADC_RBR															
Type	RO															
Reset	0	0	0	0	0	0	0	0	0	0	0	0	0	0	0	0
Bit	15	14	13	12	11	10	9	8	7	6	5	4	3	2	1	0
Name	ADC_RBR															
Type	RO															
Reset	0	0	0	0	0	0	0	0	0	0	0	0	0	0	0	0

Bit(s)	Mnemonic	Name	Description
31:0	ADC_RBR	ADC_RBR	The received data can be read by accessing this register. This register is valid only when ADC_FAKELCR[7] (ox0C) is equal to 0.

830D0004 ADC_IER Interrupt Enable Register 00000000

Bit	31	30	29	28	27	26	25	24	23	22	21	20	19	18	17	16
Name																
Type																
Reset																
Bit	15	14	13	12	11	10	9	8	7	6	5	4	3	2	1	0
Name																RX FE N
Type																RU
Reset																0

Bit(s)	Mnemonic	Name	Description
0	RXFEN	RXFEN	Enables RX full and time-out interrupt This register is valid only when ADC_FAKELCR[7] is equal to 0. 0 :No interrupt will be generated if the RX buffer contains data or timed out. 1: An interrupt will be generated if the RX Buffer contains data or timed out.

830D0008 ADC_IIR Interrupt Identification Register 00000001

Bit	31	30	29	28	27	26	25	24	23	22	21	20	19	18	17	16	
Name																	
Type																	
Reset																	
Bit	15	14	13	12	11	10	9	8	7	6	5	4	3	2	1	0	
Name														ADC_IIR			
Type														RU			
Reset													0	0	0	1	

Bit(s)	Mnemonic	Name	Description
3:0	ADC_IIR	ADC_IIR	Interrupt identification This register is valid only when ADC_FAKELCR (0x0C) is not equal to 0xBF. 4'h1: No interrupt pending 4'h4: RX data Received 4'hc: RX data Timeout 4'h2 :Not used

830D0008 ADC_FIFCTRL FIFO Control Register 00000000

Bit	31	30	29	28	27	26	25	24	23	22	21	20	19	18	17	16
Name																
Type																
Reset																
Bit	15	14	13	12	11	10	9	8	7	6	5	4	3	2	1	0
Name															CLRR	
Type															WO	
Reset															0	

Bit(s)	Mnemonic	Name	Description
1	CLRR	CLRR	Clears receive FIFO

Bit(s)	Mnemonic	Name	Description
			This register is valid only when ADC_FAKELCR (0x0C) is not equal to 0xBF. 0: Leave RX FIFO intact 1: Clear all bytes in RX FIFO

830D000C ADC_FAKELCR Fake Control Register 00000000

Bit	31	30	29	28	27	26	25	24	23	22	21	20	19	18	17	16
Name																
Type																
Reset																
Bit	15	14	13	12	11	10	9	8	7	6	5	4	3	2	1	0
Name									ADC_FAKELCR							
Type									RU							
Reset									0	0	0	0	0	0	0	0

Bit(s)	Mnemonic	Name	Description
7:0	ADC_FAKELCR	ADC_FAKELCR	Synchronizes SW control method of UART When FAKELCR[7] is equal to 1, RBR(0x00), and IER(0x04) will not be readable/writable. When FAKELCR is equal to 0xBF, RBR(0x00), IER(0x04), IIR(0x08) and LSR(0x14) will not be readable/writable.

830D0014 ADC_LSR Line Status Register 00000000

Bit	31	30	29	28	27	26	25	24	23	22	21	20	19	18	17	16
Name																
Type																
Reset																
Bit	15	14	13	12	11	10	9	8	7	6	5	4	3	2	1	0
Name																DR
Type																RU
Reset																0

Bit(s)	Mnemonic	Name	Description
0	DR	DR	Data ready Readable when LCR != 0xBF. 0: Cleared by reading RX buffer 1: Set by RX buffer becoming full

Bit(s)	Mnemonic	Name	Description
--------	----------	------	-------------

830D0048 ADC_SLEEP_EN Sleep Enable Register 00000000

Bit	31	30	29	28	27	26	25	24	23	22	21	20	19	18	17	16
Name																
Type																
Reset																
Bit	15	14	13	12	11	10	9	8	7	6	5	4	3	2	1	0
Name																ADC_SLEEP_EN
Type																RW
Reset																0

Bit(s)	Mnemonic	Name	Description
0	ADC_SLEEP_EN	ADC_SLEEP_EN	For sleep mode issue 0: Does not deal with sleep mode indication signal 1: Activate flow control according to software initial setting when chip enters sleep mode. Release hardware flow when chip wakes up.

830D004C ADC_DMA_EN DMA Enable Register 00000000

Bit	31	30	29	28	27	26	25	24	23	22	21	20	19	18	17	16
Name																
Type																
Reset																
Bit	15	14	13	12	11	10	9	8	7	6	5	4	3	2	1	0
Name														TO_CNT_AUTORST		RX_DMA_EN
Type														RW		RW
Reset														0		0

Bit(s)	Mnemonic	Name	Description
2	TO_CNT_AUTORST	TO_CNT_AUTORST	Time-out counter auto reset register 0: After RX time-out happens, SW shall reset the interrupt by reading ADC 0x4C.

Bit(s)	Mnemonic	Name	Description
0	RX_DMA_EN	RX_DMA_EN	<p>1: The timeout counter will be auto reset.</p> <p>RX_DMA mechanism enabling signal</p> <p>0 :Does not use DMA in RX</p> <p>1: Use DMA in RX. When this register is enabled, the flow control is based on the DMA threshold and generates a time-out interrupt.</p>

830D0054 ADC_RTOCNT RX Timeout Count 00000040

Bit	31	30	29	28	27	26	25	24	23	22	21	20	19	18	17	16
Name																
Type																
Reset																
Bit	15	14	13	12	11	10	9	8	7	6	5	4	3	2	1	0
Name																
Type																
Reset									0	1	0	0	0	0	0	0

Bit(s)	Mnemonic	Name	Description
7:0	ADC_RTOCNT	ADC_RTOCNT	<p>Used for RX time-out interrupt</p> <p>The RX time-out interrupt will be generated when:</p> <ol style="list-style-type: none"> 1. RXRTOEN (0x04[0]) is set to 1. 2. RX buffer is empty. 3. The most recent character is received longer than (RTOCNT*blk period*4).

830D0060 ADC_TRI_LVL TRX FIFO Trigger Level Register 00000028

Bit	31	30	29	28	27	26	25	24	23	22	21	20	19	18	17	16
Name																
Type																
Reset																
Bit	15	14	13	12	11	10	9	8	7	6	5	4	3	2	1	0
Name									AD C_ LO OP							
Type									RW							
Reset									0	0	1	0	1			

Bit(s)	Mnemonic	Name	Description
7	ADC_LOOP	ADC_LOOP	<p>Used to enable ADC loop back mode</p> <p>The data output from TX will be received by RX.</p>

Bit(s)	Mnemonic	Name	Description
6:3	RX_TRI_LVL	RX_TRI_LVL	Used for RX FIFO trigger threshold A RX trigger interrupt (IIR(0x08)) = 4) will be set if the data in RXFIFO is more than RX_TRI_LVL. The output flow control signal will also be set if the data in RXFIFO is more than RX_TRI_LVL.

830D0064 ADC_WAK Wakeup Register 00000001

Bit	31	30	29	28	27	26	25	24	23	22	21	20	19	18	17	16
Name																
Type																
Reset																
Bit	15	14	13	12	11	10	9	8	7	6	5	4	3	2	1	0
Name																ADC_WAK
Type																RW
Reset																1

Bit(s)	Mnemonic	Name	Description
0	ADC_WAK	ADC_WAK	Wakeup ADC module

830D0068 ADC_WAT_TIME Asynchronous Timer Register 00000012

Bit	31	30	29	28	27	26	25	24	23	22	21	20	19	18	17	16
Name																
Type																
Reset																
Bit	15	14	13	12	11	10	9	8	7	6	5	4	3	2	1	0
Name											WAT_TIME_2			WAT_TIME_1		
Type											RW			RW		
Reset											0	1	0	0	1	0

Bit(s)	Mnemonic	Name	Description
5:3	WAT_TIME_2	WAT_TIME_2	The second level of wait time WAT_TIME_2 cannot be less than 0x2.
2:0	WAT_TIME_1	WAT_TIME_1	The first level of wait time WAT_TIME_1 cannot be less than 0x2.

830D006C ADC_HANDSHAKE New Handshake Control Register 00000003

Bit	31	30	29	28	27	26	25	24	23	22	21	20	19	18	17	16
Name																
Type																
Reset																
Bit	15	14	13	12	11	10	9	8	7	6	5	4	3	2	1	0
Name														RTO_EXT	HIGH_SPEED_EN	HANDSHAKE_EN
Type														RW	RW	RW
Reset														0	1	1

Bit(s)	Mnemonic	Name	Description
2	RTO_EXT	RTO_EXT	Extends the value of RX time-out counter (16*rto_time)
1	HIGH_SPEED_EN	HIGH_SPEED_EN	Enables high speed mode
0	HANDSHAKE_EN	HANDSHAKE_EN	Enables handshake mode

830D0070 ADC_DEBUG_RX_FI RX FIFO Address 0 Debug Register 00000000
FO_0

Bit	31	30	29	28	27	26	25	24	23	22	21	20	19	18	17	16
Name	ADC_DEBUG_RX_FIFO_0															
Type	RO															
Reset	0	0	0	0	0	0	0	0	0	0	0	0	0	0	0	0
Bit	15	14	13	12	11	10	9	8	7	6	5	4	3	2	1	0
Name	ADC_DEBUG_RX_FIFO_0															
Type	RO															
Reset	0	0	0	0	0	0	0	0	0	0	0	0	0	0	0	0

Bit(s)	Mnemonic	Name	Description
31:0	ADC_DEBUG_RX_FIADC_DEBUG_RX_FIF FO_0	ADC_DEBUG_RX_FIF O_0	Debugging RX FIFO address 0

830D0074 ADC_DEBUG_RX_FI RX FIFO Address 1 Debug Register 00000000
FO_1

Bit	31	30	29	28	27	26	25	24	23	22	21	20	19	18	17	16
Name	ADC_DEBUG_RX_FIFO_1															
Type	RO															
Reset	0	0	0	0	0	0	0	0	0	0	0	0	0	0	0	0

Bit	15	14	13	12	11	10	9	8	7	6	5	4	3	2	1	0
Name	ADC_DEBUG_RX_FIFO_1															
Type	RO															
Reset	0	0	0	0	0	0	0	0	0	0	0	0	0	0	0	0

Bit(s)	Mnemonic	Name	Description
31:0	ADC_DEBUG_RX_FIADC_DEBUG_RX_FIF FO_1	ADC_DEBUG_RX_FIF O_1	Debugging RX FIFO address 1

830D0078 ADC_DEBUG_RX_FI RX FIFO Address 2 Debug Register 00000000
FO_2

Bit	31	30	29	28	27	26	25	24	23	22	21	20	19	18	17	16
Name	ADC_DEBUG_RX_FIFO_2															
Type	RO															
Reset	0	0	0	0	0	0	0	0	0	0	0	0	0	0	0	0
Bit	15	14	13	12	11	10	9	8	7	6	5	4	3	2	1	0
Name	ADC_DEBUG_RX_FIFO_2															
Type	RO															
Reset	0	0	0	0	0	0	0	0	0	0	0	0	0	0	0	0

Bit(s)	Mnemonic	Name	Description
31:0	ADC_DEBUG_RX_FIADC_DEBUG_RX_FIF FO_2	ADC_DEBUG_RX_FIF O_2	Debugging RX FIFO address 2

830D007C ADC_DEBUG_RX_FI RX FIFO Address 3 Debug Register 00000000
FO_3

Bit	31	30	29	28	27	26	25	24	23	22	21	20	19	18	17	16
Name	ADC_DEBUG_RX_FIFO_3															
Type	RO															
Reset	0	0	0	0	0	0	0	0	0	0	0	0	0	0	0	0
Bit	15	14	13	12	11	10	9	8	7	6	5	4	3	2	1	0
Name	ADC_DEBUG_RX_FIFO_3															
Type	RO															
Reset	0	0	0	0	0	0	0	0	0	0	0	0	0	0	0	0

Bit(s)	Mnemonic	Name	Description
31:0	ADC_DEBUG_RX_FIADC_DEBUG_RX_FIF	ADC_DEBUG_RX_FIF	Debugging RX FIFO address 3

Bit(s)	Mnemonic	Name	Description
	FO_3	O_3	

830D0080 ADC_DEBUG_RX_FI RX FIFO Address 4 Debug Register 00000000
FO_4

Bit	31	30	29	28	27	26	25	24	23	22	21	20	19	18	17	16
Name	ADC_DEBUG_RX_FIFO_4															
Type	RO															
Reset	0	0	0	0	0	0	0	0	0	0	0	0	0	0	0	0
Bit	15	14	13	12	11	10	9	8	7	6	5	4	3	2	1	0
Name	ADC_DEBUG_RX_FIFO_4															
Type	RO															
Reset	0	0	0	0	0	0	0	0	0	0	0	0	0	0	0	0

Bit(s)	Mnemonic	Name	Description
31:0	ADC_DEBUG_RX_FIADC_DEBUG_RX_FIF FO_4	ADC_DEBUG_RX_FIF O_4	Debugging RX FIFO address 4

830D0084 ADC_DEBUG_RX_FI RX FIFO Address 5 Debug Register 00000000
FO_5

Bit	31	30	29	28	27	26	25	24	23	22	21	20	19	18	17	16
Name	ADC_DEBUG_RX_FIFO_5															
Type	RO															
Reset	0	0	0	0	0	0	0	0	0	0	0	0	0	0	0	0
Bit	15	14	13	12	11	10	9	8	7	6	5	4	3	2	1	0
Name	ADC_DEBUG_RX_FIFO_5															
Type	RO															
Reset	0	0	0	0	0	0	0	0	0	0	0	0	0	0	0	0

Bit(s)	Mnemonic	Name	Description
31:0	ADC_DEBUG_RX_FIADC_DEBUG_RX_FIF FO_5	ADC_DEBUG_RX_FIF O_5	Debugging RX FIFO address 5

830D0058 ADC_DEBUG_RX_FI RX FIFO Address 6 Debug Register 00000000
FO_6

Bit	31	30	29	28	27	26	25	24	23	22	21	20	19	18	17	16
Name	ADC_DEBUG_RX_FIFO_6															

Type	RO															
Reset	0	0	0	0	0	0	0	0	0	0	0	0	0	0	0	0
Bit	15	14	13	12	11	10	9	8	7	6	5	4	3	2	1	0
Name	ADC_DEBUG_RX_FIFO_6															
Type	RO															
Reset	0	0	0	0	0	0	0	0	0	0	0	0	0	0	0	0

Bit(s)	Mnemonic	Name	Description
31:0	ADC_DEBUG_RX_FIADC_DEBUG_RX_FIF FO_6	ADC_DEBUG_RX_FIF O_6	Debugging RX FIFO address 6

**830D008C ADC_DEBUG_RX_FI RX FIFO Address 7 Debug Register 00000000
FO_7**

Bit	31	30	29	28	27	26	25	24	23	22	21	20	19	18	17	16
Name	ADC_DEBUG_RX_FIFO_7															
Type	RO															
Reset	0	0	0	0	0	0	0	0	0	0	0	0	0	0	0	0
Bit	15	14	13	12	11	10	9	8	7	6	5	4	3	2	1	0
Name	ADC_DEBUG_RX_FIFO_7															
Type	RO															
Reset	0	0	0	0	0	0	0	0	0	0	0	0	0	0	0	0

Bit(s)	Mnemonic	Name	Description
31:0	ADC_DEBUG_RX_FIADC_DEBUG_RX_FIF FO_7	ADC_DEBUG_RX_FIF O_7	Debugging RX FIFO address 7

**830D0090 ADC_DEBUG_RX_FI RX FIFO Address 8 Debug Register 00000000
FO_8**

Bit	31	30	29	28	27	26	25	24	23	22	21	20	19	18	17	16
Name	ADC_DEBUG_RX_FIFO_8															
Type	RO															
Reset	0	0	0	0	0	0	0	0	0	0	0	0	0	0	0	0
Bit	15	14	13	12	11	10	9	8	7	6	5	4	3	2	1	0
Name	ADC_DEBUG_RX_FIFO_8															
Type	RO															
Reset	0	0	0	0	0	0	0	0	0	0	0	0	0	0	0	0

Bit(s)	Mnemonic	Name	Description
31:0	ADC_DEBUG_RX_FIADC_DEBUG_RX_FIF FO_8	ADC_DEBUG_RX_FIF O_8	Debugging RX FIFO address 8

830D0094 ADC_DEBUG_RX_FI RX FIFO Address 9 Debug Register **00000000**
FO_9

Bit	31	30	29	28	27	26	25	24	23	22	21	20	19	18	17	16
Name	ADC_DEBUG_RX_FIFO_9															
Type	RO															
Reset	0	0	0	0	0	0	0	0	0	0	0	0	0	0	0	0
Bit	15	14	13	12	11	10	9	8	7	6	5	4	3	2	1	0
Name	ADC_DEBUG_RX_FIFO_9															
Type	RO															
Reset	0	0	0	0	0	0	0	0	0	0	0	0	0	0	0	0

Bit(s)	Mnemonic	Name	Description
31:0	ADC_DEBUG_RX_FIADC_DEBUG_RX_FIF FO_9	ADC_DEBUG_RX_FIF O_9	Debugging RX FIFO address 9

830D0098 ADC_DEBUG_RX_FI RX FIFO Address 10 Debug Register **00000000**
FO_a

Bit	31	30	29	28	27	26	25	24	23	22	21	20	19	18	17	16
Name	ADC_DEBUG_RX_FIFO_a															
Type	RO															
Reset	0	0	0	0	0	0	0	0	0	0	0	0	0	0	0	0
Bit	15	14	13	12	11	10	9	8	7	6	5	4	3	2	1	0
Name	ADC_DEBUG_RX_FIFO_a															
Type	RO															
Reset	0	0	0	0	0	0	0	0	0	0	0	0	0	0	0	0

Bit(s)	Mnemonic	Name	Description
31:0	ADC_DEBUG_RX_FIADC_DEBUG_RX_FIF FO_a	ADC_DEBUG_RX_FIF O_a	Debugging RX FIFO address 10

830D009C ADC_DEBUG_RX_FI RX FIFO Address 11 Debug Register **00000000**
FO_b

Bit	31	30	29	28	27	26	25	24	23	22	21	20	19	18	17	16
Name	ADC_DEBUG_RX_FIFO_b															

e																
Type	RO															
Reset	0	0	0	0	0	0	0	0	0	0	0	0	0	0	0	0
Bit	15	14	13	12	11	10	9	8	7	6	5	4	3	2	1	0
Name	ADC_DEBUG_RX_FIFO_b															
Type	RO															
Reset	0	0	0	0	0	0	0	0	0	0	0	0	0	0	0	0

Bit(s)	Mnemonic	Name	Description
31:0	ADC_DEBUG_RX_FIADC_DEBUG_RX_FIF FO_b	ADC_DEBUG_RX_FIF O_b	Debugging RX FIFO address 11

830D00A0 ADC_DEBUG_RX_FI RX FIFO Address 12 Debug Register 00000000
FO_c

Bit	31	30	29	28	27	26	25	24	23	22	21	20	19	18	17	16
Name	ADC_DEBUG_RX_FIFO_c															
Type	RO															
Reset	0	0	0	0	0	0	0	0	0	0	0	0	0	0	0	0
Bit	15	14	13	12	11	10	9	8	7	6	5	4	3	2	1	0
Name	ADC_DEBUG_RX_FIFO_c															
Type	RO															
Reset	0	0	0	0	0	0	0	0	0	0	0	0	0	0	0	0

Bit(s)	Mnemonic	Name	Description
31:0	ADC_DEBUG_RX_FIADC_DEBUG_RX_FIF FO_c	ADC_DEBUG_RX_FIF O_c	Debugging RX FIFO address 12

830D00A4 ADC_DEBUG_RX_FI RX FIFO Address 13 Debug Register 00000000
FO_d

Bit	31	30	29	28	27	26	25	24	23	22	21	20	19	18	17	16
Name	ADC_DEBUG_RX_FIFO_d															
Type	RO															
Reset	0	0	0	0	0	0	0	0	0	0	0	0	0	0	0	0
Bit	15	14	13	12	11	10	9	8	7	6	5	4	3	2	1	0
Name	ADC_DEBUG_RX_FIFO_d															
Type	RO															
Reset	0	0	0	0	0	0	0	0	0	0	0	0	0	0	0	0

Bit(s)	Mnemonic	Name	Description
31:0	ADC_DEBUG_RX_FIADC_DEBUG_RX_FIF FO_d	ADC_DEBUG_RX_FIF O_d	Debugging RX FIFO address 13

830D00A8 ADC_DEBUG_RX_FI RX FIFO Address 14 Debug Register 00000000
FO_e

Bit	31	30	29	28	27	26	25	24	23	22	21	20	19	18	17	16
Name	ADC_DEBUG_RX_FIFO_e															
Type	RO															
Reset	0	0	0	0	0	0	0	0	0	0	0	0	0	0	0	0
Bit	15	14	13	12	11	10	9	8	7	6	5	4	3	2	1	0
Name	ADC_DEBUG_RX_FIFO_e															
Type	RO															
Reset	0	0	0	0	0	0	0	0	0	0	0	0	0	0	0	0

Bit(s)	Mnemonic	Name	Description
31:0	ADC_DEBUG_RX_FIADC_DEBUG_RX_FIF FO_e	ADC_DEBUG_RX_FIF O_e	Debugging RX FIFO address 14

830D00AC ADC_DEBUG_RX_FI RX FIFO Address 15 Debug Register 00000000
FO_f

Bit	31	30	29	28	27	26	25	24	23	22	21	20	19	18	17	16
Name	ADC_DEBUG_RX_FIFO_f															
Type	RO															
Reset	0	0	0	0	0	0	0	0	0	0	0	0	0	0	0	0
Bit	15	14	13	12	11	10	9	8	7	6	5	4	3	2	1	0
Name	ADC_DEBUG_RX_FIFO_f															
Type	RO															
Reset	0	0	0	0	0	0	0	0	0	0	0	0	0	0	0	0

Bit(s)	Mnemonic	Name	Description
31:0	ADC_DEBUG_RX_FIADC_DEBUG_RX_FIF FO_f	ADC_DEBUG_RX_FIF O_f	Debugging RX FIFO address 15

830D00D4 ADC_DEBUG_RX_P RX FIFO Pointer Debug Register 00000000
TR

Bit	31	30	29	28	27	26	25	24	23	22	21	20	19	18	17	16
Name																

e																
Type																
Reset																
Bit	15	14	13	12	11	10	9	8	7	6	5	4	3	2	1	0
Name									ADC_DEBUG_RX_PTR							
Type									RU							
Reset									0	0	0	0	0	0	0	0

Bit(s)	Mnemonic	Name	Description
7:0	ADC_DEBUG_RX_PTR	ADC_DEBUG_RX_PTR	Debugging RX FIFO pointer Bit 0~3 are read pointers; bit 4~7 are writer pointers.

2.5.5 SPI Master Interface

2.5.5.1 Introduction

MT76X7 features one SPI master controller. It is used as an extension interface to control the peripheral device on expansion port. The SPI master controller supports the clock rates of 0.25, 0.5, 1, 2, 4, 6, 8, 10, and 12MHz. It supports two options of clock polarity (CPOL) and two options of initial clock phase (CPHA). SPI pins are multiplexed with I2S pins.

Table 2-51. SPI Pin Description

Signal Name	Signal Description	Direction
CS	Chip select	Output
SCK	Serial clock	Output
MISO	Master in, Slave out	Input
MOSI	Master out, Slave in	Output

The SPI master controller supports two modes of operation: `more_buf_mode=0`, and `more_buf_mode=1`. When `more_buf_mode = 0`, the SPI master controller is compatible with Winbond SPI flash. When `more_buf_mode = 1`, the SPI master controller can support configurable length of opcode/address and data. In this mode, it can also support full-duplex operation.

2.5.5.2 SPI timing diagram

- more_buf_mode = 0 mode

SPI transfer data buffer size is 8 bytes. In this mode, SPI DI/DO data #0 register and SPI opcode/address register are used as the the data buffer for SPI transaction. The length of the transaction is controlled by mosi_byte_cnt and miso_byte_cnt.

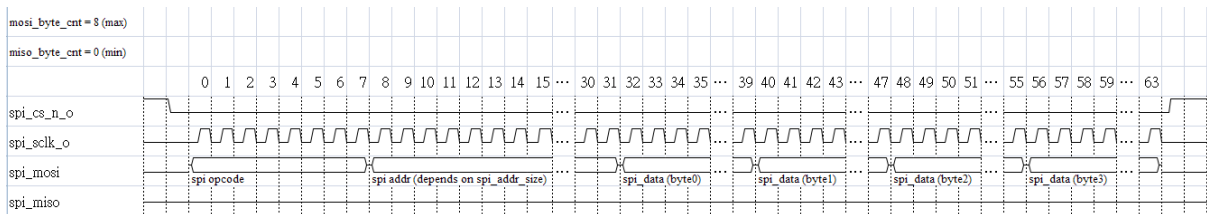


Figure 2-51. SPI TX transaction when more_buf_mode=0

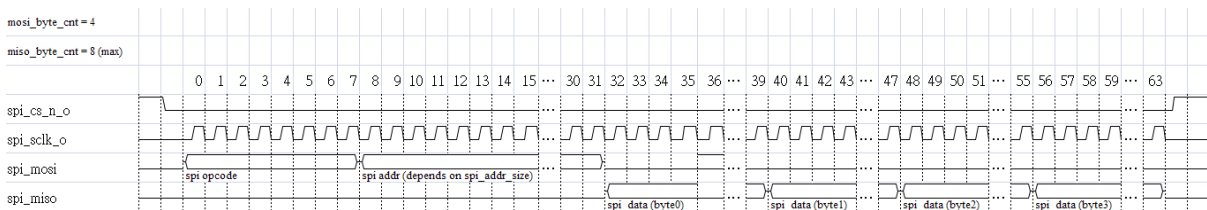


Figure 2-52. SPI RX transaction when more_buf_mode=0

- more_buf_mode = 1 mode

SPI transfer data buffer size is 64 bytes. In this mode, SPI opcode/address register are the data buffer for the command phase of SPI transaction and the length of command is controlled by cmd_bit_cn. SPI DI/DO data #0~#7 register are the data buffer for the data phase of SPI transaction and the length of data of output and input is controlled by do_bit_cnt and di_bit_cnt, respectively.

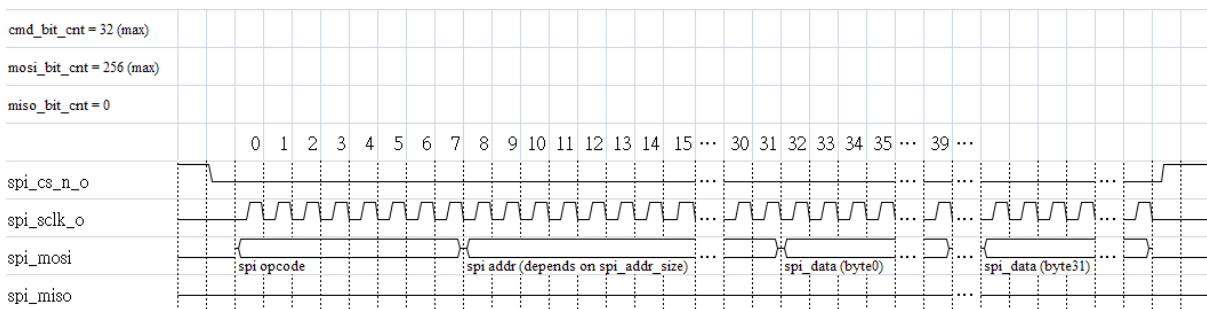


Figure 2-53. SPI TX transaction when more_buf_mode=1

In half duplex mode, transmitted data are loaded from SPI opcode/address register and SPI DI/DO data #0~#7 registers. And, the received data will overwrite the SPI DI/DO data #0~#7 registers. In full duplex mode, SPI DI/DO data #0~#3 registers are used for transmission and SPI DI/DO #4~#7 registers are used for receipt.

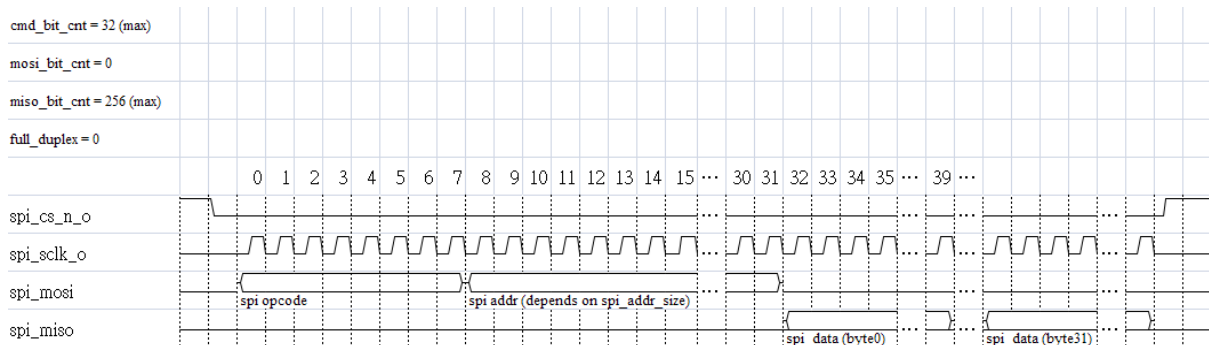


Figure 2-54. SPI RX transaction when more_buf_mode=1, full_duplex=0

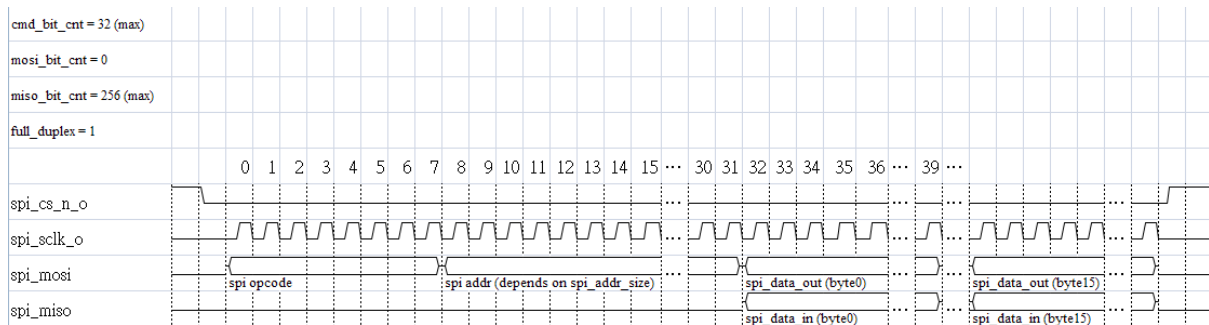


Figure 2-55. SPI RX transaction when more_buf_mode=1, full_duplex=1

2.5.5.3 Programming Guide

- CPU Direct Access Mode

SPI Write:

1. CPU direct configure the SPI-M register space, include opcode, address, data and other settings.
2. Program the “spi_master_start” to 1 in “SPI transaction control/status register” to kick the spi transaction.
3. CPU polling the “spi_busy” in “SPI transaction control/status register” to indicate the spi transactions done or not.

SPI Read:

1. CPU direct configure the SPI-M register space, include opcode, address and other settings.
2. Program the “spi_master_start” to 1 in “SPI transaction control/status register” to kick the spi transaction.
3. CPU polling the “spi_busy” in “SPI transaction control/status register” to indicate the spi transactions done or not.
4. CPU can get the read data in “SPI DI/DO data #0~#7 register”.

- **DMA Access Mode**

SPI Write:

1. Put the SPI-M register settings into sysram.
Note: the “SPI transaction control/status register” settings should be the last setting for each transaction, which include the “spi_master_start” to 1 to kick the spi transaction.
2. Enable dma to move the settings into SPI-M register space.
3. After the movement finish, dma will assert an interrupt to CPU.
4. After a SPI transaction done, SPI-M will assert an interrupt to CPU.

SPI Read:

1. Put the SPI-M register settings into sysram.
Note: the “SPI transaction control/status register” settings should be the last setting for each transaction, which include the “spi_master_start” to 1 to kick the spi transaction.
2. Enable dma to move the settings into SPI-M register space.
3. After the movement finish, dma will assert an interrupt to CPU.
4. After a SPI transaction done, SPI-M will assert an interrupt to CPU.
5. CPU can get the read data in “SPI DI/DO data #0~#7 register”.

2.5.5.4 Registers Definitions

Module name: MT7637_SPIM_TOP Base address: (+24000000h)

Address	Name	Width	Register Function
24000000	<u>STCSR</u>	32	SPI transaction control/status register
24000004	<u>SOAR</u>	32	SPI opcode/address register
24000008	<u>SDIDOR0</u>	32	SPI DI/DO data #0 register
2400000C	<u>SDIDOR1</u>	32	SPI DI/DO data #1 register
24000010	<u>SDIDOR2</u>	32	SPI DI/DO data #2 register

Address	Name	Width	Register Function
24000014	<u>SDIDOR3</u>	32	SPI DI/DO data #3 register
24000018	<u>SDIDOR4</u>	32	SPI DI/DO data #4 register
2400001C	<u>SDIDOR5</u>	32	SPI DI/DO data #5 register
24000020	<u>SDIDOR6</u>	32	SPI DI/DO data #6 register
24000024	<u>SDIDOR7</u>	32	SPI DI/DO data #7 register
24000028	<u>SMMR</u>	32	SPI master mode register
2400002C	<u>SMBCR</u>	32	SPI more buf control register
24000030	<u>RSV</u>	32	Reserved
24000034	<u>SCSR</u>	32	SPI controller status register
24000038	<u>CSPOL</u>	32	SPI controller control register

24000000 STCSR

SPI transaction control/status register

00160001

Bit	31	30	29	28	27	26	25	24	23	22	21	20	19	18	17	16	
Name	spi_addr_ext								-	spi_addr_size			-	spi_master_busy			
Type	RW								RO			RW			RO		RO
Reset	0	0	0	0	0	0	0	0	0	0	0	1	0	1	1	0	
Bit	15	14	13	12	11	10	9	8	7	6	5	4	3	2	1	0	
Name	-							spi_master_start	miso_byte_cnt				mosi_byte_cnt				
Type	RO							WO	RW				RW				
Reset	0	0	0	0	0	0	0	0	0	0	0	0	0	0	0	1	

Bit(s)	Name	Description
31:24	spi_addr_ext	<p>Spi address extension for 32-bit SPI address size. Usually this field specifies the first byte of the address phase to transmit to SPI device when more_buf_mode = 0 and spi_addr_size = 3. And spi_addr[31:24], spi_addr[23:16], and spi_addr[15:0] are respectively the second, third and fourth byte of the address phase</p> <p>Note: When more_buf_mode = 1, The spi_addr_ext and SPI opcode/address register(SOAR) are treated as a command register: cmd_reg[39:0] = {spi_addr_ext[7:0], SOAR[31:0]} The transmitted data bits is based on cmd_bit_cnt and the transmission sequence is as follows: lsb_first = 0: cmd_reg[cmd_bit_cnt-1], cmd_reg[cmd_bit_cnt-2], ~, cmd_reg[0] lsb_first = 1: cmd_reg[0], cmd_reg[1], ~, cmd_reg[cmd_bit_cnt-1]</p>

Bit(s)	Name	Description
23:21	-	Reserved.
20:19	spi_addr_size	SPI address size. 2'h0: reserved. 2'h1: spi_addr[15:0] of SPI DI data register are valid (16-bit size). 2'h2: spi_addr[23:0] of SPI DI data register are valid (24-bit size). 2'h3: {spi_addr_ext[7:0], spi_addr[23:0]} of SPI DI data register are valid (32-bit size). Note: The spi_addr_size is valid only when more_buf_mode = 0.
18:17	-	Reserved.
16	spi_master_busy	Transaction busy indication. 1'b0: No SPI transaction is ongoing. Software may start a new SPI transaction by writing to the SPI transaction start bit within this register. 1'b1: An SPI transaction presently is underway. Software must not try to start a new SPI transaction. Software may not alter the value of any field of the SPI master control registers.
15:9	-	Reserved.
8	spi_master_start	SPI transaction start. Only writes to this field are meaningful, reads always return 0. 1'b0: No effect 1'b1: Starts SPI transaction.
7:4	miso_byte_cnt	SPI MISO (rx) byte count. Determines the number of bytes received from the SPI device from the SPI opcode/address register and the SPI DI/DO data #0 register. Values of 0 ~ 8 are valid, other values are illegal. Note: The miso_byte_cnt is valid only when more_buf_mode = 0.
3:0	mosi_byte_cnt	SPI MOSI (tx) byte count. Determines the number of bytes transmitted from the SPI opcode/address register and the SPI DI/DO data #0 register to the SPI device. Values of 1 ~ 8 are valid, other values are illegal. Note: The mosi_byte_cnt is valid only when more_buf_mode = 0. The transmitted data sequence is as follows: spi_opcode, spi_addr (conditional) and do_byte ~ d3_byte (conditional).

24000004 SOAR				SPI opcode/address register								00000000				
Bit	31	30	29	28	27	26	25	24	23	22	21	20	19	18	17	16
Name	spi_addr															
Type	RW															
Reset	0	0	0	0	0	0	0	0	0	0	0	0	0	0	0	0
Bit	15	14	13	12	11	10	9	8	7	6	5	4	3	2	1	0
Name	spi_addr								spi_opcode							
Type	RW								RW							
Reset	0	0	0	0	0	0	0	0	0	0	0	0	0	0	0	0

Bit(s)	Name	Description
31:8	spi_addr	SPI address. Usually this field specifies the 24-bits address to transmit to the SPI device when more_buf_mode = 0. model: (16-bits SPI address size), spi_addr[23:16] is the 1st byte of the address phase and spi_addr[15:8] is the 2nd byte of the address phase.

Bit(s)	Name	Description
7:0	spi_opcode	<p>modeII: (24-bits SPI address size), spi_addr[31:24] is the 1st byte of the address phase and spi_addr[23:16] is the 2nd byte of the address phase and spi_addr[15:8] is the 3rd byte of the address phase.</p> <p>modeIII: (32-bits SPI address size), spi_addr[31:24] is the 2nd byte of the address phase and spi_addr[23:16] is the 3rd byte of the address phase and spi_addr[15:8] is the 4th byte of the address phase</p> <p>Note: For SPI read transaction and more_buf_mode = 0 Field [15:8] is also used to store the 6-th byte of data read phase. Field [23:16] is also used to store the 7-th byte of data read phase. Field [31:24] is also used to store the 8-th byte of data read phase.</p> <p>SPI opcode. Usually this field specifies the 8-bits opcode (instruction) to transmit to the SPI device as the first byte of a SPI transaction when more_buf_mode = 0.</p> <p>Note: For SPI read transaction and more_buf_mode = 0, this byte is also used to store the 5-th byte of data read phase according to the rx byte count miso_byte_cnt.</p>

24000008 SDIDOR0 SPI DI/DO data #0 register 00000000

Bit	31	30	29	28	27	26	25	24	23	22	21	20	19	18	17	16
Name	do_byte								d1_byte							
Type	RW								RW							
Reset	0	0	0	0	0	0	0	0	0	0	0	0	0	0	0	0
Bit	15	14	13	12	11	10	9	8	7	6	5	4	3	2	1	0
Name	d2_byte								d3_byte							
Type	RW								RW							
Reset	0	0	0	0	0	0	0	0	0	0	0	0	0	0	0	0

Bit(s)	Name	Description
31:24	do_byte	The 1 data byte of data read/write phase.
23:16	d1_byte	The 2 data byte of data read/write phase.
15:8	d2_byte	The 3 data byte of data read/write phase.
7:0	d3_byte	The 4 data byte of data read/write phase.

2400000C SDIDOR1 SPI DI/DO data #1 register 00000000

Bit	31	30	29	28	27	26	25	24	23	22	21	20	19	18	17	16
Name	d4_byte								d5_byte							
Type	RW								RW							
Reset	0	0	0	0	0	0	0	0	0	0	0	0	0	0	0	0
Bit	15	14	13	12	11	10	9	8	7	6	5	4	3	2	1	0
Name	d6_byte								d7_byte							
Type	RW								RW							
Reset	0	0	0	0	0	0	0	0	0	0	0	0	0	0	0	0

t																	
---	--	--	--	--	--	--	--	--	--	--	--	--	--	--	--	--	--

Bit(s)	Name	Description
31:24	d4_byte	The 5 data byte of data read/write phase.
23:16	d5_byte	The 6 data byte of data read/write phase.
15:8	d6_byte	The 7 data byte of data read/write phase.
7:0	d7_byte	The 8 data byte of data read/write phase.

24000010 SDIDOR2 SPI DI/DO data #2 register 00000000

Bit	31	30	29	28	27	26	25	24	23	22	21	20	19	18	17	16
Name	d8_byte								d9_byte							
Type	RW								RW							
Reset	0	0	0	0	0	0	0	0	0	0	0	0	0	0	0	0
Bit	15	14	13	12	11	10	9	8	7	6	5	4	3	2	1	0
Name	d10_byte								d11_byte							
Type	RW								RW							
Reset	0	0	0	0	0	0	0	0	0	0	0	0	0	0	0	0

Bit(s)	Name	Description
31:24	d8_byte	The 9 data byte of data read/write phase.
23:16	d9_byte	The 10 data byte of data read/write phase.
15:8	d10_byte	The 11 data byte of data read/write phase.
7:0	d11_byte	The 12 data byte of data read/write phase.

24000014 SDIDOR3 SPI DI/DO data #3 register 00000000

Bit	31	30	29	28	27	26	25	24	23	22	21	20	19	18	17	16
Name	d12_byte								d13_byte							
Type	RW								RW							
Reset	0	0	0	0	0	0	0	0	0	0	0	0	0	0	0	0
Bit	15	14	13	12	11	10	9	8	7	6	5	4	3	2	1	0
Name	d14_byte								d15_byte							
Type	RW								RW							
Reset	0	0	0	0	0	0	0	0	0	0	0	0	0	0	0	0

Bit(s)	Name	Description
31:24	d12_byte	The 13 data byte of data read/write phase.
23:16	d13_byte	The 14 data byte of data read/write phase.
15:8	d14_byte	The 15 data byte of data read/write phase.
7:0	d15_byte	The 16 data byte of data read/write phase.

24000018 SDIDOR₄ SPI DI/DO data #4 register 00000000

Bit	31	30	29	28	27	26	25	24	23	22	21	20	19	18	17	16
Name	d16_byte								d17_byte							
Type	RW								RW							
Reset	0	0	0	0	0	0	0	0	0	0	0	0	0	0	0	0
Bit	15	14	13	12	11	10	9	8	7	6	5	4	3	2	1	0
Name	d18_byte								d19_byte							
Type	RW								RW							
Reset	0	0	0	0	0	0	0	0	0	0	0	0	0	0	0	0

Bit(s)	Name	Description
31:24	d16_byte	The 17 data byte of data read/write phase (half duplex mode) or the 1 data byte of data read phase (full duplex mode).
23:16	d17_byte	The 18 data byte of data read/write phase (half duplex mode) or the 2 data byte of data read phase (full duplex mode).
15:8	d18_byte	The 19 data byte of data read/write phase (half duplex mode) or the 3 data byte of data read phase (full duplex mode).
7:0	d19_byte	The 20 data byte of data read/write phase (half duplex mode) or the 4 data byte of data read phase (full duplex mode).

2400001C SDIDOR₅ SPI DI/DO data #5 register 00000000

Bit	31	30	29	28	27	26	25	24	23	22	21	20	19	18	17	16
Name	d20_byte								d21_byte							
Type	RW								RW							
Reset	0	0	0	0	0	0	0	0	0	0	0	0	0	0	0	0
Bit	15	14	13	12	11	10	9	8	7	6	5	4	3	2	1	0
Name	d22_byte								d23_byte							
Type	RW								RW							
Reset	0	0	0	0	0	0	0	0	0	0	0	0	0	0	0	0

Bit(s)	Name	Description
31:24	d20_byte	The 21 data byte of data read/write phase (half duplex mode) or the 5 data byte of data read phase (full duplex mode).
23:16	d21_byte	The 22 data byte of data read/write phase (half duplex mode) or the 6 data byte of data read phase (full duplex mode).
15:8	d22_byte	The 23 data byte of data read/write phase (half duplex mode) or the 7 data byte of data read phase (full duplex mode).
7:0	d23_byte	The 24 data byte of data read/write phase (half duplex mode).

Bit(s)	Name	Description
		mode) or the 8 data byte of data read phase (full duplex mode).

24000020 SDIDOR6 SPI DI/DO data #6 register 00000000

Bit	31	30	29	28	27	26	25	24	23	22	21	20	19	18	17	16
Name	d24_byte								d25_byte							
Type	RW								RW							
Reset	0	0	0	0	0	0	0	0	0	0	0	0	0	0	0	0
Bit	15	14	13	12	11	10	9	8	7	6	5	4	3	2	1	0
Name	d26_byte								d27_byte							
Type	RW								RW							
Reset	0	0	0	0	0	0	0	0	0	0	0	0	0	0	0	0

Bit(s)	Name	Description
31:24	d24_byte	The 25 data byte of data read/write phase (half duplex mode) or the 9 data byte of data read phase (full duplex mode).
23:16	d25_byte	The 26 data byte of data read/write phase (half duplex mode) or the 10 data byte of data read phase (full duplex mode).
15:8	d26_byte	The 27 data byte of data read/write phase (half duplex mode) or the 11 data byte of data read phase (full duplex mode).
7:0	d27_byte	The 28 data byte of data read/write phase (half duplex mode) or the 12 data byte of data read phase (full duplex mode).

24000024 SDIDOR7 SPI DI/DO data #7 register 00000000

Bit	31	30	29	28	27	26	25	24	23	22	21	20	19	18	17	16
Name	d28_byte								d29_byte							
Type	RW								RW							
Reset	0	0	0	0	0	0	0	0	0	0	0	0	0	0	0	0
Bit	15	14	13	12	11	10	9	8	7	6	5	4	3	2	1	0
Name	d30_byte								d31_byte							
Type	RW								RW							
Reset	0	0	0	0	0	0	0	0	0	0	0	0	0	0	0	0

Bit(s)	Name	Description
31:24	d28_byte	The 29 data byte of data read/write phase (half duplex mode) or the 13 data byte of data read phase (full duplex mode).
23:16	d29_byte	The 30 data byte of data read/write phase (half duplex

Bit(s)	Name	Description
15:8	d30_byte	mode) or the 14 data byte of data read phase (full duplex mode).
7:0	d31_byte	The 31 data byte of data read/write phase (half duplex mode) or the 15 data byte of data read phase (full duplex mode). The 32 data byte of data read/write phase (half duplex mode) or the 16 data byte of data read phase (full duplex mode).

24000028 SMMR SPI master mode register 00018880

Bit	31	30	29	28	27	26	25	24	23	22	21	20	19	18	17	16
Name	rs_slave_sel			clk_mode	rs_clk_sel											
Type	RW			RW	RW											
Reset	0	0	0	0	0	0	0	0	0	0	0	0	0	0	0	1
Bit	15	14	13	12	11	10	9	8	7	6	5	4	3	2	1	0
Name	cs_dsel_cnt				full_duplex	int_en	spi_start_sel	pf_tch_en	-	CPHA	CPOL	lsb_first	more_buf_mode	-		
Type	RW				RW	RW	RW	RW	RO	RW	RW	RW	RW	RO		
Reset	1	0	0	0	1	0	0	0	1	0	0	0	0	0	0	0

Bit(s)	Name	Description
31:29	rs_slave_sel	rs_slave_sel. 3'h0: select SPI device #0. (default is flash) 3'h1: select SPI device #1. ~ 3'h7: select SPI device #7.
28	clk_mode	This register is used to specify that period of SCLK HIGH is longer or period of SCLK LOW is longer when clock divisor(rs_clk_sel) is odd. 1'b0: period of SCLK LOW is longer. 1'b1: period of SCLK HIGH is longer.
27:16	rs_clk_sel	Register Space SPI clock frequency select. 12'h0: SPI clock frequency is hclk/2. (50% duty cycle, duty cycle is the ratio of the output high time to the total cycle time) 12'h1: SPI clock frequency is hclk/3. (33.33% or 66.67% duty cycle) 12'h2: SPI clock frequency is hclk/4. (50% duty cycle) 12'h3: SPI clock frequency is hclk/5. (40% or 60% duty cycle) ~ 12'h4095: SPI clock frequency is hclk/4097.
15:11	cs_dsel_cnt	Internal delay the de-select time of SPI chip select is configured to occupy the number of cycles of spim_clk clock.
10	full_duplex	Full duplex or half duplex mode. 1'b0: half duplex mode. 1'b1: full duplex mode. Note: The full_duplex is valid only when more_buf_mode = 1. The transmission is always as half duplex when more_buf_mode = 0;
9	int_en	Interrupt enable. 1'b0: disable SPI interrupt.

Bit(s)	Name	Description
8	spi_start_sel	1'b1: enable SPI interrupt. The interval between spi_cs_n and spi_sclk.
7	pfetch_en	1'b0: 3 spim_clk 1'b1: 6 spim_clk SPI pre-fetch buffer enable 1'b0: disable pre-fetch buffer. 1'b1: enable pre-fetch buffer.
6	-	Reserved.
5	CPHA	Initial SPI clock phase for SPI transaction. There are four SPI modes used to latch data. These SPI modes latch data in one of four ways, and are defined by the logic state combinations of the CLK Polarity (CPOL) in relation to the CLK Phase (CPHA). The valid logic combinations identify and determine the SPI modes supported by the SPI device. At CPOL=0 the base value of the clock is zero For CPHA=0 (mode 0), data is read on the clock's rising edge and data is changed on a falling edge. For CPHA=1 (mode 1), data is read on the clock's falling edge and data is changed on a rising edge. At CPOL=1 the base value of the clock is one (inversion of CPOL=0) For CPHA=0 (mode 2), data is read on clock's falling edge and data is changed on a rising edge. For CPHA=1 (mode 3), data is read on clock's rising edge and data is changed on a falling edge.
4	CPOL	Initial SPI clock polarity for SPI transaction.
3	lsb_first	lsb_first. 1'b0: MSB(most significant bit) is transferred first for SPI transaction. 1'b1: LSB(least significant bit) is transferred first for SPI transaction.
2	more_buf_mode	Select 2 words buffer or 8 words buffer for SPI transaction. 1'b0: SPI transfer data buffer size is only 2 words. In this mode, SPI DI/DO data #0 register and SPI opcode/address register are the data buffer for SPI transaction. And, SPI master follows mosi_byte_cnt and miso_byte_cnt to complete the transmission and reception, respectively. This kind of transaction must operate in half duplex mode. 1'b1: SPI transfer data buffer size is 8 words. In this mode, SPI opcode/address register are the data buffer for SPI transaction and follows cmd_bit_cnt to complete the transaction. SPI DI/DO data #0~#7 register are the data buffer for SPI transaction and follows do_bit_cnt and di_bit_cnt to complete the transmission and reception, respectively. In half duplex mode, transmitted data are loaded from SPI opcode/address register and SPI DI/DO data #0~#7 registers. And, the received data will overwrite the SPI DI/DO data #0~#7 registers. In full duplex mode, SPI DI/DO data #0~#3 registers are used for transmission and SPI DI/DO #4~#7 registers are used for receipt.
1:0	-	Reserved.

2400002C **SMBCR**

SPI more buf control register

00000000

Bit	31	30	29	28	27	26	25	24	23	22	21	20	19	18	17	16	
Name	-		cmd_bit_cnt						-			miso_bit_cnt					
Type	RO		RW						RO			RW					
Rese	0	0	0	0	0	0	0	0	0	0	0	0	0	0	0	0	

t																
Bit	15	14	13	12	11	10	9	8	7	6	5	4	3	2	1	0
Name	miso_bit_cnt				-			mosi_bit_cnt								
Type	RW				RO			RW								
Reset	0	0	0	0	0	0	0	0	0	0	0	0	0	0	0	0

Bit(s)	Name	Description
31:30	-	Reserved.
29:24	cmd_bit_cnt	SPI command phase MOSI (tx) bit count. Determines the number of command bits transmitted from the SPI opcode/address register to the SPI device. Values of 0 ~ 32 are valid, but other values are illegal. Note: The cmd_bit_cnt is valid only when more_buf_mode = 1 and the SPI opcode/address register is treated as a command register.
23:21	-	Reserved.
20:12	miso_bit_cnt	SPI data phase MISO (rx) bit count. Determines the number of bits received from the SPI device into the SPI DI/DO data #0~#7 register. Values of 0 ~ 256 are valid, but other values are illegal. Maximum value is 256 for half duplex mode and 128 for full duplex mode. Please note that mosi_bit_cnt must be equal to miso_bit_cnt in full duplex mode. Note: The miso_bit_cnt is valid only when more_buf_mode = 1
11:9	-	Reserved.
8:0	mosi_bit_cnt	SPI data phase MOSI (tx) bit count. Determines the number of data bits transmitted from the SPI DI/DO data #0~#7 register to the SPI device. Values of 0 ~ 256 are valid, but other values are illegal. Maximum value is 256 for half duplex mode and 128 for full duplex mode. Note: The mosi_bit_cnt is valid only when more_buf_mode = 1.

24000030 RSV **Reserved** **00000000**

Bit	31	30	29	28	27	26	25	24	23	22	21	20	19	18	17	16
Name	-															
Type	RO															
Reset	0	0	0	0	0	0	0	0	0	0	0	0	0	0	0	0
Bit	15	14	13	12	11	10	9	8	7	6	5	4	3	2	1	0
Name	-															
Type	RO															
Reset	0	0	0	0	0	0	0	0	0	0	0	0	0	0	0	0

Bit(s)	Name	Description
31:0	-	Reserved.

24000034 SCSR **SPI controller status register** **00000000**

Bit	31	30	29	28	27	26	25	24	23	22	21	20	19	18	17	16
Name	-															
Type	RO															
Reset	0	0	0	0	0	0	0	0	0	0	0	0	0	0	0	0
Bit	15	14	13	12	11	10	9	8	7	6	5	4	3	2	1	0
Name	-															spi_ok
Type	RO															RC
Reset	0	0	0	0	0	0	0	0	0	0	0	0	0	0	0	0

Bit(s)	Name	Description
31:1	-	Reserved.
0	spi_ok	When SPI transaction complete, SPI master controller will set this bit and assert SPI interrupt to notify software. Reading this register will clear this bit and de-assert SPI interrupt.

24000038 CSPOL SPI controller control register 00000000

Bit	31	30	29	28	27	26	25	24	23	22	21	20	19	18	17	16
Name	-															
Type	RO															
Reset	0	0	0	0	0	0	0	0	0	0	0	0	0	0	0	0
Bit	15	14	13	12	11	10	9	8	7	6	5	4	3	2	1	0
Name	-								cs_polar							
Type	RO								RW							
Reset	0	0	0	0	0	0	0	0	0	0	0	0	0	0	0	0

Bit(s)	Name	Description
31:8	-	Reserved.
7:0	cs_polar	cs polarity for device #0~#7. Initial SPI chip select polarity for SPI transaction. 1'b0: cs operate low active 1'b1: cs operate high active

2.5.6 SPI Slave Interface

2.5.6.1 General Description

The simple SPI slave module translates 16bits SPI serial protocol to create AHB master transaction for accessing SYSRAM or configuration registers.

2.5.6.2 Block Diagram

The block diagram shows SPI slave controller, spis_top, was integrated in the CM4 system. SPI Host can write data into CM4 SYSRAM by controlling slave controller.

SPI slave controller supports interrupt to CM4 system. SPI host can configure register in slave controller to interrupt CM4 MCU. When CM4 MCU gets the interrupt, it can read status from SPI slave controller and clear the interrupt. Also, it can read data from SYSRAM.

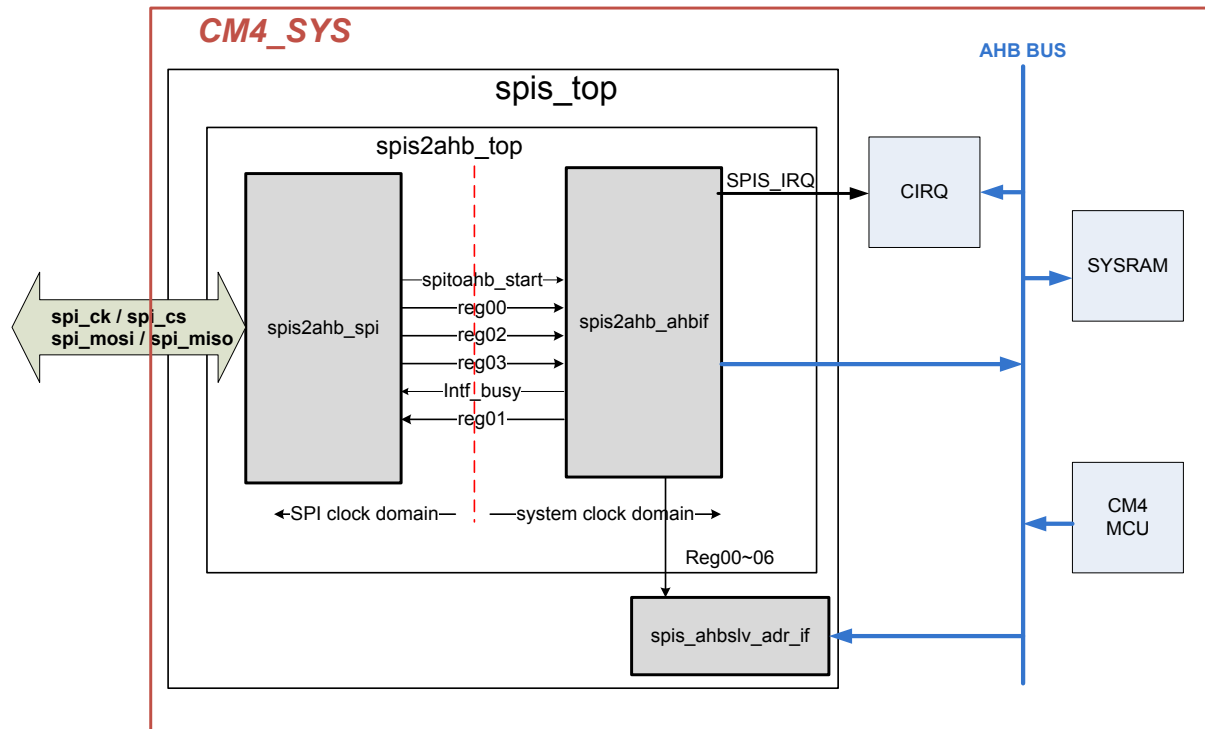


Figure 2-56. SPI Slave Block Diagram

2.5.6.3 SPI Slave CR Read/Write Protocol

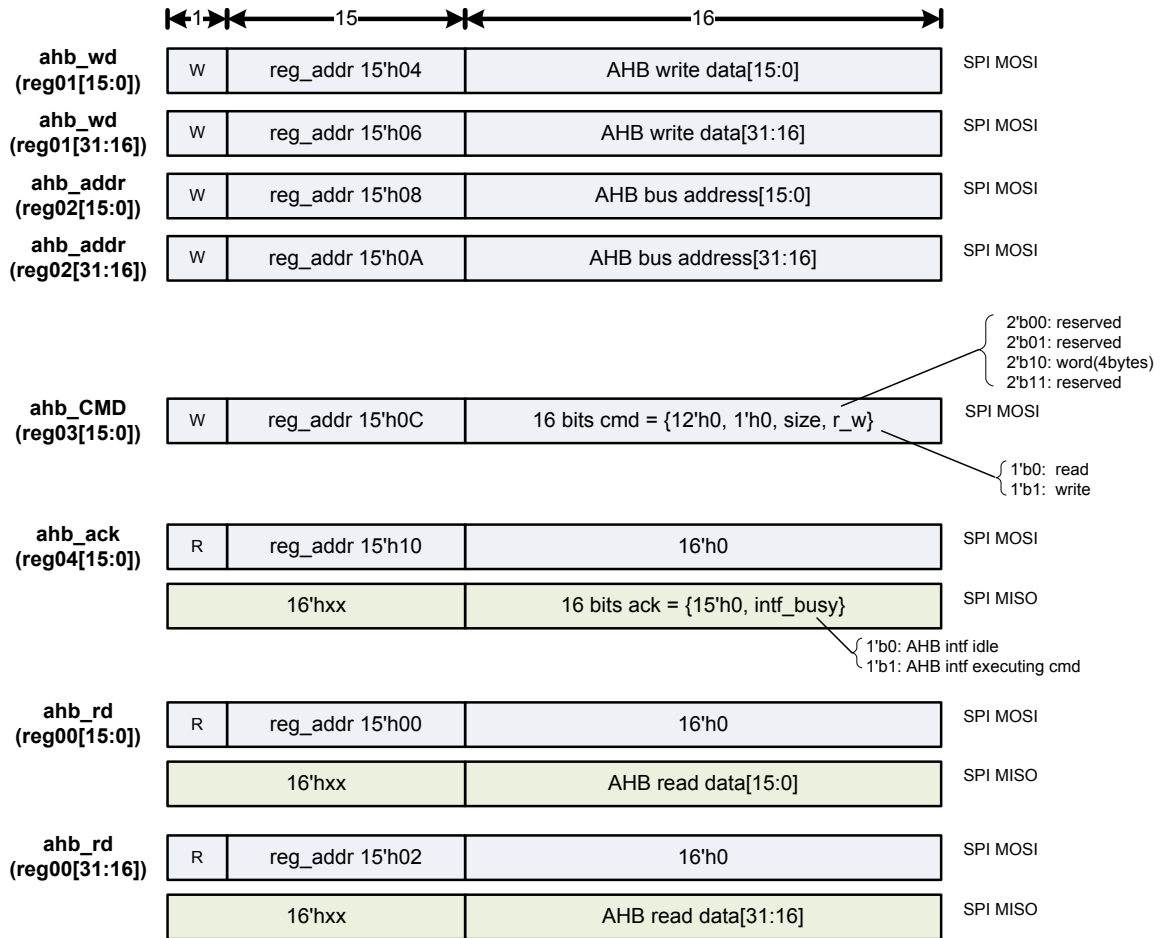


Figure 2-57. SPI Slave CR Read/Write Protocol

MT7687 SPI slave use SPI2AHB protocol. In AHB write transaction, it should write AHB 32bits data and 32bits address into spi controller register first, and then kick the AHB_cmd to start AHB write transaction. After start AHB_cmd, 32bits data will be written into specified 32bits address. In AHB read transaction, it should write 32bits address into spi controller register first, and then kick the AHB_cmd to start AHB read transaction. After start AHB_cmd, 32 bits data will be read from specified 32bits address and stored in spi slave controller.

There are five registers in this slave controller. Reg00 is the read data from AHB. Reg01 is the write data that programmer want to write to AHB. Reg02 is the address that programmer want to write/read to/from AHB, the configured value must be a physical address in the CM4 system. Reg03 is the command that applies to AHB protocol. Reg04 is the status for polling to make sure AHB bus is idle or busy.

MT7687 SPI slave use SPI2AHB protocol. In AHB write transaction, it should write AHB 32bits data and 32bits address into spi controller register first, and then kick the AHB_cmd to start AHB write

transaction. After start AHB_cmd, 32bits data will be written into specified 32bits address. In AHB read transaction, it should write 32bits address into spi controller register first, and then kick the AHB_cmd to start AHB read transaction. After start AHB_cmd, 32 bits data will be read from specified 32bits address and stored in spi slave controller.

Before programming AHB/APB registers, the programmer should check reg04 bit0 to check if AHB is idle. The programmer can set reg03 (cmd register) to kick SPI slave2AHB module to write/read one byte/halfword/word/dword to/from AHB/APB.

Before SPI master write/read to/from AHB, programmer should guarantee AHB bus is non-busy by check spitoahb_spi.reg04[0] if equal to 1'b0.

2.5.6.4 Programming Sequence

- Standard mode

Example 1: Write 0x0123_4567 data to the register at address 0x1013_0004

Step 1.

- Check SPI slave is idle, SPI master asserts following data on SPI_MOSI
- {8'h00, 8'h10, 16'hxx} // Read SPI slave status reg04
- Wait until the SPI_MISO returned data bit[0] = 0, which indicates the AHB interface of SPI slave is idle and ready to execute a new access command.

Step 2

- Prepare command for bus accessing, SPI master asserts following data on SPI_MOSI respectively.
- {8'h80, 8'h04, 16'h4567} // put bus write data [15:0] into SPI slave reg01[15:0]
- {8'h80, 8'h06, 16'h0123} // put bus write data [31:16] into SPI slave reg01[31:16]
- {8'h80, 8'h08, 16'h0004} // put bus address [15:0] into SPI slave reg02[15:0]
- {8'h80, 8'h0A, 16'h1013} // put bus address [31:16] into SPI slave reg02[31:16]
- {8'h80, 8'h0C, {13'b0, 2'b10, 1'b1}} // Start the bus write access via AHB master interface

Step 3

- Wait bus accessing done, SPI master asserts following data on SPI_MOSI
- {8'h00, 8'h10, 16'hxx} // Read SPI slave bus interface status
- Wait until the SPI_MISO returned data bit[0] = 0, make sure that either AHB finish the bus access

Example 2: Read 0x0123_4567 data from the register at address 0x1013_0004

Step 1

- Check SPI slave is idle, SPI master asserts following data on SPI_MOSI
- {8'h00, 8'h10, 16'hxx} // Read SPI slave status reg04
- Wait until the SPI_MISO returned data bit[0] = 0, which indicates the AHB interface of SPI slave is idle and ready to execute a new access command.

Step 2

- Prepare command for bus accessing, SPI master asserts following data on SPI_MOSI respectively
- {8'h80, 8'h08, 16'h0004} // put bus address [15:0] into SPI slave reg02[15:0]
- {8'h80, 8'h0A, 16'h1013} // put bus address [31:16] into SPI slave reg02[31:16]
- {8'h80, 8'h0C, {13'b0, 2'b10, 1'b0}} // Start the bus read access via AHB master interface

Step 3

- Wait bus accessing done, SPI master asserts following data on SPI_MOSI
- {8'h00, 8'h10, 16'hxx} // Read SPI slave bus interface status
- Wait until the SPI_MISO returned data bit[0] = 0, make sure that either AHB finish the bus access

Step 4

- Get read data, SPI master asserts following data on SPI_MOSI respectively
- {8'h00, 8'h00, 16'hxx} // get bus read data [15:0] from SPI slave reg00[15:0]
- SPI slave_MISO return data 16'h4567
- {8'h00, 8'h02, 16'hxx} // get bus read data [31:16] from SPI slave reg00[31:16]
- SPI slave_MISO return data 16'h0123

- Fast Mode (Address Auto Increment)

Address auto increment mode can reduce bus address write time when SPI Slave access CM4 SYSRAM.

Fast write example:

Write 0x0123_4567 data to the register at address 0x1013_0004

Write 0x89ab_cdef data to the register at address 0x1013_0008

Note: User doesn't need to check busy status during write transaction.

Step 1

- Prepare command for bus accessing, SPI master asserts following data on SPI_MOSI respectively.
- {8'h80, 8'h04, 16'h4567} // put bus write data [15:0] into SPI slave reg01[15:0]
- {8'h80, 8'h06, 16'h0123} // put bus write data [31:16] into SPI slave reg01[31:16]
- {8'h80, 8'h08, 16'h0004} // put bus address [15:0] into SPI slave reg02[15:0]
- {8'h80, 8'h0A, 16'h1013} // put bus address [31:16] into SPI slave reg02[31:16]
- {8'h80, 8'h0C, {13'b0, 2'b10, 1'b1}} // Start the bus write access via AHB master interface

Step 2

- // Address will auto increment by 4 after last AHB master transation
- Prepare command for bus accessing, SPI master asserts following data on SPI_MOSI respectively.
- {8'h80, 8'h04, 16'hcdef} // put bus write data [15:0] into SPI slave reg01[15:0]
- {8'h80, 8'h06, 16'h89ab} // put bus write data [31:16] into SPI slave reg01[31:16]
- // User doesn't need to write bus address
- {8'h80, 8'h0C, {13'b0, 2'b10, 1'b1}} // Start the bus write access via AHB master interface

Fast read example:

Read 0x0123_4567 data from the register at address 0x1013_0004

Read 0x89ab_cdef data from the register at address 0x1013_0008

Note: User needs to check busy status before read bus data from SPIS controller.

Step 1

- Prepare command for bus accessing, SPI master asserts following data on SPI_MOSI respectively
- {8'h80, 8'h08, 16'h0004} // put bus address [15:0] into SPI slave reg02[15:0]
- {8'h80, 8'h0A, 16'h1013} // put bus address [31:16] into SPI slave reg02[31:16]
- {8'h80, 8'h0C, {13'b0, 2'b10, 1'b0}} // Start the bus read access via AHB master interface

Step 2

- Wait bus accessing done, SPI master asserts following data on SPI_MOSI
- {8'h00, 8'h10, 16'hxx} // Read SPI slave status
- Wait until the SPI_MISO returned data bit[0] = 0, make sure that either AHB finish the bus access

Step 3

- Get read data, SPI master asserts following data on SPI_MOSI respectively
- {8'h00, 8'h00, 16'hxx} // get bus read data [15:0] from SPI slave reg00[15:0]
- SPI slave_MISO return data 16'h4567
- {8'h00, 8'h02, 16'hxx} // get bus read data [31:16] from SPI slave reg00[31:16]
- SPI slave_MISO return data 16'h0123

Step 4

- // User doesn't need to write AHB address into reg02
- // User can start AHB bus read immediately.
- {8'h80, 8'h0C, {13'b0, 2'b10, 1'b0}} // Start the bus read access via AHB master interface

Step 5

- Wait bus accessing done, SPI master asserts following data on SPI_MOSI
- {8'h00, 8'h10, 16'hxx} // Read SPI slave status
- Wait until the SPI_MISO returned data bit[0] = 0, make sure that either AHB finish the bus access

Step 6

- Get read data at address 0x1013_0008, SPI master asserts following data on SPI_MOSI respectively
- {8'h00, 8'h00, 16'hxx} // get bus read data [15:0] from SPI slave reg00[15:0]
- SPI slave_MISO return data 16'hcdef
- {8'h00, 8'h02, 16'hxx} // get bus read data [31:16] from SPI slave reg00[31:16]
- SPI slave_MISO return data 16'h89ab

2.5.6.5 SPI Slave Protocol Timing

Limitation: Max clock frequency : 20Mhz

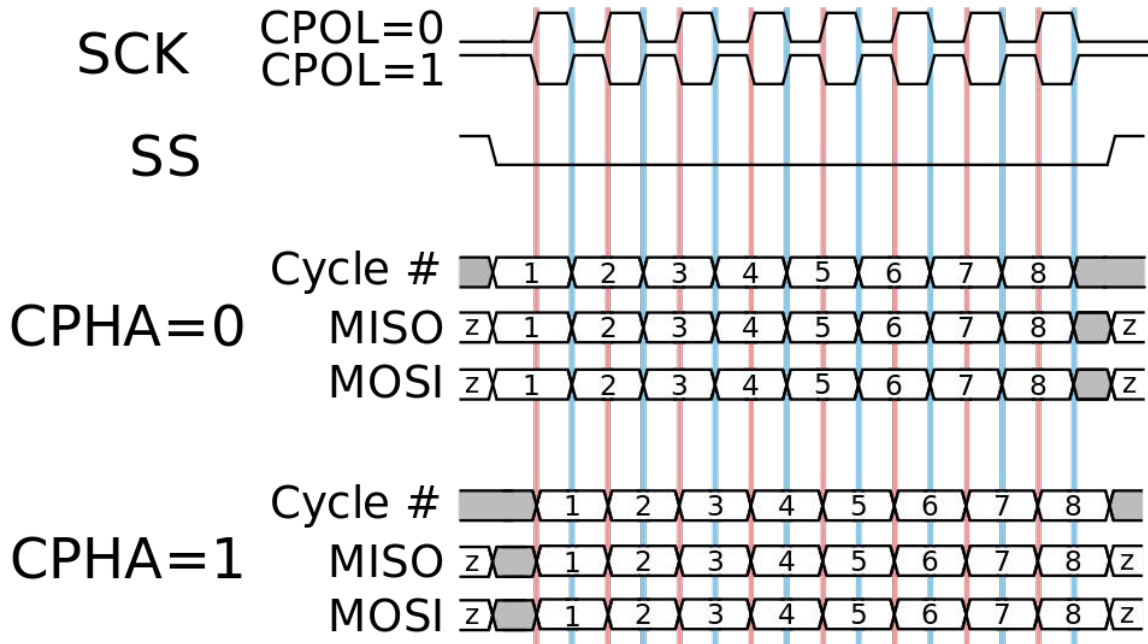
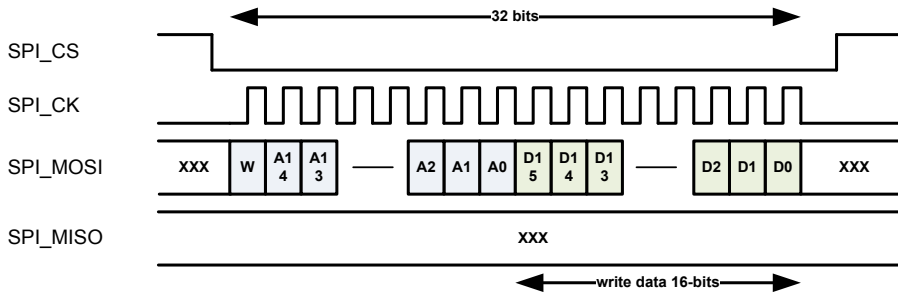


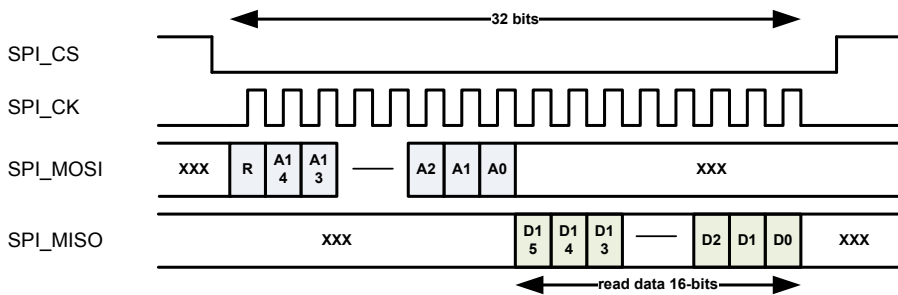
Figure 2-58. SPI Slave Motorola Protocol

- CPOL=0, CPHA=0

SPIS Write Mode CPOL=0/CPHA=0

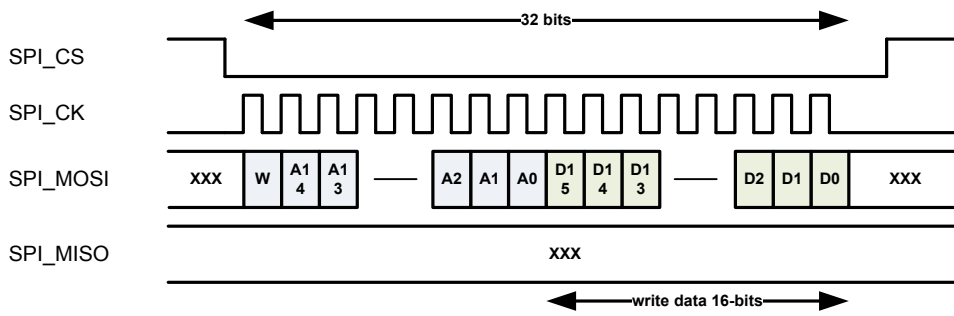


SPIS Read Mode CPOL=0/CPHA=0

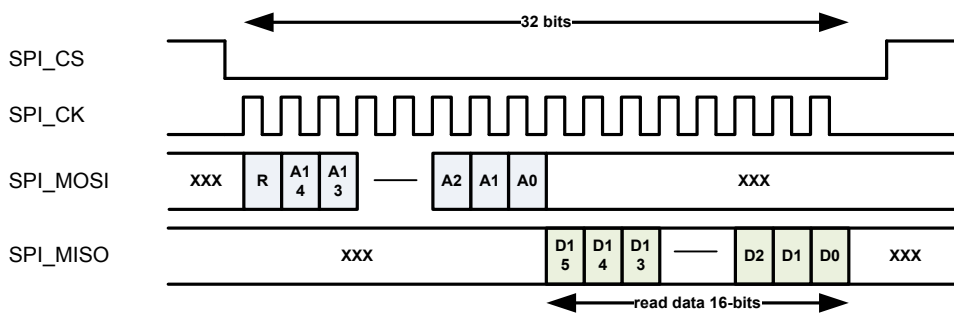


- CPOL=0, CPHA=1

SPI Write Mode CPOL=0/CPHA=1

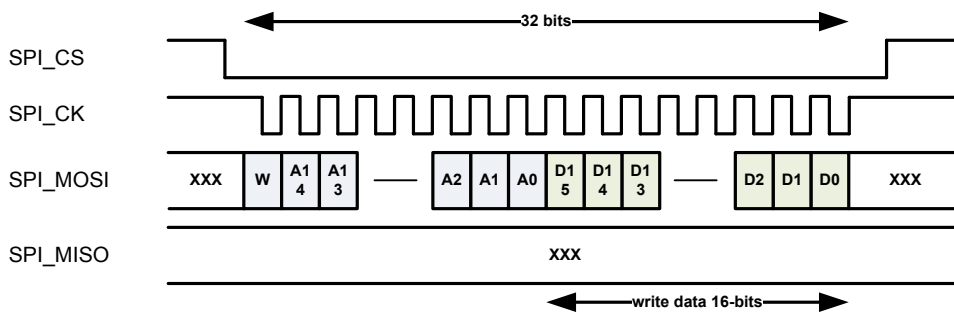


SPI Read Mode CPOL=0/CPHA=1

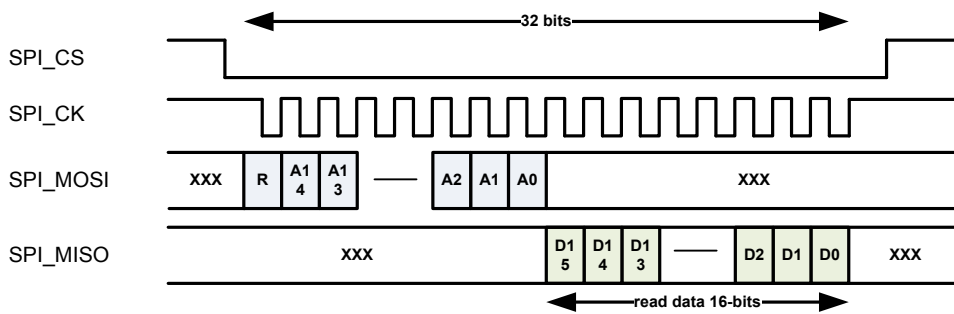


- CPOL=1, CPHA=0

SPI Write Mode CPOL=1/CPHA=0

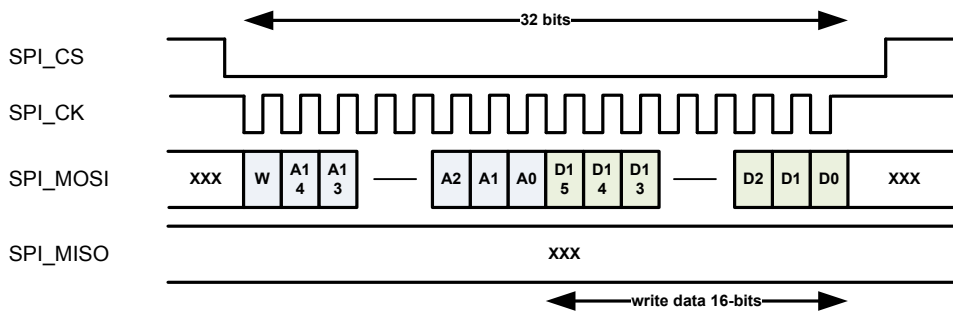


SPI Read Mode CPOL=1/CPHA=0

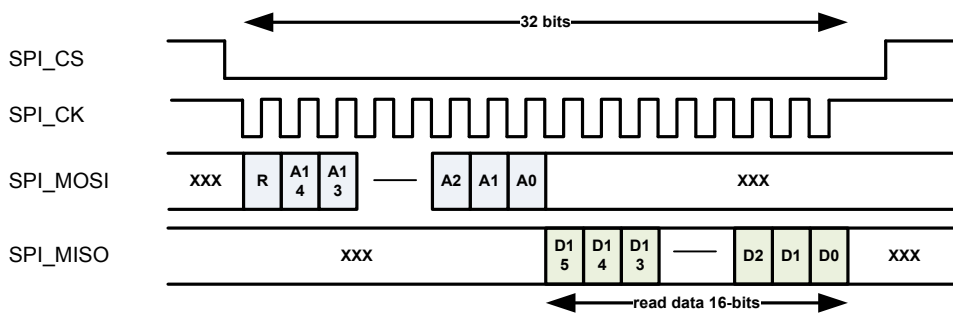


- CPOL=1, CPHA=1

SPI Write Mode CPOL=1/CPHA=1



SPI Read Mode CPOL=1/CPHA=1



2.5.6.6 Interrupt

SPI slave doesn't have a dedicated hardware interrupt indication signal. SPI master could configure "spi_sw_irq" in REG05 to interrupt MCU. When MCU gets the software interrupt, MCU could clear the IRQ interrupt by setting SPI slave_REG05.

2.5.6.7 SPI Driver Domain Register

- Register of SPI Slave Interface

Module name: cm4_spi_slave (driver) Base address: (+0h)

Address	Name	Width	Register Function
00000000	<u>REG00</u>	32	SPI slave Register 00
00000004	<u>REG01</u>	32	SPI slave Register 01
00000008	<u>REG02</u>	32	SPI slave Register 02
0000000C	<u>REG03</u>	32	SPI slave Register 03
00000010	<u>REG04</u>	32	SPI slave Register 04
00000014	<u>REG05</u>	32	SPI slave Register 05 (SPI Slave IRQ)
00000018	<u>REG06</u>	32	SPI slave Register 06 (Device to Host received Mail Box)

Address	Name	Width	Register Function
0000001C	<u>REG07</u>	32	SPI slave Register 07 (Host to Device send Mail Box)

- Register Descriptions

00000000		<u>REG00</u>														00000000	
SPI slave Register 00																	
Bit	31	30	29	28	27	26	25	24	23	22	21	20	19	18	17	16	
Name	bus_read_data																
Type	RO																
Reset	0	0	0	0	0	0	0	0	0	0	0	0	0	0	0	0	
Bit	15	14	13	12	11	10	9	8	7	6	5	4	3	2	1	0	
Name	bus_read_data																
Type	RO																
Reset	0	0	0	0	0	0	0	0	0	0	0	0	0	0	0	0	

Bit(s)	Name	Description
31:0	bus_read_data	SPI Slave Register 00 for bus read data

00000004		<u>REG01</u>														00000000	
SPI slave Register 01																	
Bit	31	30	29	28	27	26	25	24	23	22	21	20	19	18	17	16	
Name	bus_write_data																
Type	RW																
Reset	0	0	0	0	0	0	0	0	0	0	0	0	0	0	0	0	
Bit	15	14	13	12	11	10	9	8	7	6	5	4	3	2	1	0	
Name	bus_write_data																
Type	RW																
Reset	0	0	0	0	0	0	0	0	0	0	0	0	0	0	0	0	

Bit(s)	Name	Description

Bit(s)	Name	Description
31:0	bus_write_data	SPI Slave Register 01 for bus write data

 00000008 **REG02** SPI slave Register 02 00000000

Bit	31	30	29	28	27	26	25	24	23	22	21	20	19	18	17	16
Name	bus_address															
Type	RW															
Reset	0	0	0	0	0	0	0	0	0	0	0	0	0	0	0	0
Bit	15	14	13	12	11	10	9	8	7	6	5	4	3	2	1	0
Name	bus_address															
Type	RW															
Reset	0	0	0	0	0	0	0	0	0	0	0	0	0	0	0	0

Bit(s)	Name	Description
31:0	bus_address	SPI Slave Register 02 for bus address This address must be physical address

 0000000C **REG03** SPI slave Register 03 00000000

Bit	31	30	29	28	27	26	25	24	23	22	21	20	19	18	17	16
Name	reserved														bus_size	bus_r_w
Type	RW														RW	RW
Reset	0	0	0	0	0	0	0	0	0	0	0	0	0	0	0	0

Bit(s)	Name	Description
31:3	reserved	reserved
2:1	bus_size	Bus access size 00: reserved 01: reserved 10: word (4bytes) 11: reserved
0	bus_r_w	Bus access type 0: read 1: write

 00000010 **REG04** SPI slave Register 04 00000000

Bit	31	30	29	28	27	26	25	24	23	22	21	20	19	18	17	16
Name	reserved															
Type	RO															
Reset	0	0	0	0	0	0	0	0	0	0	0	0	0	0	0	0
Bit	15	14	13	12	11	10	9	8	7	6	5	4	3	2	1	0
Name	reserved															bus_busy
Type	RO															RO
Reset	0	0	0	0	0	0	0	0	0	0	0	0	0	0	0	0

Bit(s)	Name	Description
31:1	reserved	reserved
0	bus_busy	Bus interface status 0: SPI slave bus interface is idle for next access command 1: SPI slave bus interface is busy

00000014 **REG05**

SPI slave Register 05 (SPI Slave IRQ) 00000000

Bit	31	30	29	28	27	26	25	24	23	22	21	20	19	18	17	16
Name	reserved															
Type	RO															
Reset	0	0	0	0	0	0	0	0	0	0	0	0	0	0	0	0
Bit	15	14	13	12	11	10	9	8	7	6	5	4	3	2	1	0
Name	reserved															spi_sw_irq
Type	RO															W1S
Reset	0	0	0	0	0	0	0	0	0	0	0	0	0	0	0	0

Bit(s)	Name	Description
31:1	reserved	reserved
0	spi_sw_irq	<p>SPI host can set this bit to enable interrupt. This bit was used to inform MCU that Tx data ready. Write 1 to activate software IRQ interrupt, Write 0 is meaningless.</p> <p>SPI host read software IRQ status</p> <p>0: SPI slave IRQ is inactive</p> <p>1: SPI slave IRQ is active.</p>

 00000018 **REG06**

SPI slave Register 06 (Device to Host received Mail Box) 00000000

Bit	31	30	29	28	27	26	25	24	23	22	21	20	19	18	17	16
Name	reserved															
Type	RO															
Reset	0	0	0	0	0	0	0	0	0	0	0	0	0	0	0	0
Bit	15	14	13	12	11	10	9	8	7	6	5	4	3	2	1	0
Name	reserved										D2HRMB5_0					

Type	RO										W1C						
Reset	0	0	0	0	0	0	0	0	0	0	0	0	0	0	0	0	0

Bit(s)	Name	Description
31:7	reserved	reserved
6:0	D2HRMB5_0	When MCU writes D2HSMB5-0 in the SPI slave_REG06, this bit will be set to 1. SPI host can write 1 to clear D2HRMB5-0 and D2HSMB5-0 in the SPI slave_REG06.

0000001C REG07

SPI slave Register 07 (Host to Device send Mail Box) 00000000

Bit	31	30	29	28	27	26	25	24	23	22	21	20	19	18	17	16
Name	reserved															
Type	RO															
Reset	0	0	0	0	0	0	0	0	0	0	0	0	0	0	0	0
Bit	15	14	13	12	11	10	9	8	7	6	5	4	3	2	1	0
Name	reserved										H2DSMB6_0					
Type	RO										W1S					
Reset	0	0	0	0	0	0	0	0	0	0	0	0	0	0	0	0

Bit(s)	Name	Description
31:7	reserved	reserved
6:0	H2DSMB6_0	Host to Device send mailbox bit6 - bit0 SPI Host could set individual bit to inform MCU. When SPI Host set this bit, MCU can read H2DRMB6-0 in the SPI slave_REG07. SPI Host writes 0 is meaningless. SPI Host read H2DSMB6-0 0: MCU clear the H2DRMB6-0 1: MCU does not clear the H2DRMB6-0

Bit(s)	Name	Description
--------	------	-------------

2.5.6.8 SPI MCU Domain Register

The MCU at SPI slave side could access this AHB slave interface to probe the SPI slave internal registers reg00~reg07 status, and control the SPI polarity/phase.

- MCU Domain SPI Slave Register

Module name: cm4_spi_slave Base address: (+21000700h)

Address	Name	Width	Register Function
21000700	<u>SPIS_AHB_REG00</u>	32	SPI AHB Register 00
21000704	<u>SPIS_AHB_REG01</u>	32	SPI AHB Register 01
21000708	<u>SPIS_AHB_REG02</u>	32	SPI AHB Register 02
2100070C	<u>SPIS_AHB_REG03</u>	32	SPI AHB Register 03
21000710	<u>SPIS_AHB_REG04</u>	32	SPI AHB Register 04
21000714	<u>SPIS_AHB_REG05</u>	32	SPI AHB Register 05 (Interrupt Status)
21000718	<u>SPIS_AHB_REG06</u>	32	SPI AHB Register 06 (Device to Host send Mail Box)
2100071C	<u>SPIS_AHB_REG07</u>	32	SPI AHB Register 07 (Host to Device received Mail Box)
21000740	<u>SPIS_AHB_REG08</u>	32	SPI AHB Configuration

- MCU Domain Register Descriptions

21000700 SPIS_AHB_REG00 SPI AHB Register 00 00000000

Bit	31	30	29	28	27	26	25	24	23	22	21	20	19	18	17	16
Name	bus_read_data															
Type	RO															
Reset	0	0	0	0	0	0	0	0	0	0	0	0	0	0	0	0
Bit	15	14	13	12	11	10	9	8	7	6	5	4	3	2	1	0

Name	bus_read_data															
Type	RO															
Reset	0	0	0	0	0	0	0	0	0	0	0	0	0	0	0	0

Bit(s)	Name	Description
31:0	bus_read_data	Read SPI Slave REG00 SPI Slave Register 00 for bus read data

21000704 **SPIS_AHB_REG01** SPI AHB Register 01 00000000

Bit	31	30	29	28	27	26	25	24	23	22	21	20	19	18	17	16
Name	bus_write_data															
Type	RO															
Reset	0	0	0	0	0	0	0	0	0	0	0	0	0	0	0	0
Bit	15	14	13	12	11	10	9	8	7	6	5	4	3	2	1	0
Name	bus_write_data															
Type	RO															
Reset	0	0	0	0	0	0	0	0	0	0	0	0	0	0	0	0

Bit(s)	Name	Description
31:0	bus_write_data	Read SPI Slave REG01 SPI Slave Register 01 for bus write data

21000708 **SPIS_AHB_REG02** SPI AHB Register 02 00000000

Bit	31	30	29	28	27	26	25	24	23	22	21	20	19	18	17	16
Name	bus_address															
Type	RO															
Reset	0	0	0	0	0	0	0	0	0	0	0	0	0	0	0	0
Bit	15	14	13	12	11	10	9	8	7	6	5	4	3	2	1	0

Name	bus_address															
Type	RO															
Reset	0	0	0	0	0	0	0	0	0	0	0	0	0	0	0	0

Bit(s)	Name	Description
31:0	bus_address	Read SPI Slave REG02 SPI Slave Register 02 for bus address This address must be physical address

 2100070C **SPIS_AHB_REG03** SPI AHB Register 03 00000000

Bit	31	30	29	28	27	26	25	24	23	22	21	20	19	18	17	16
Name	reserved															
Type	RO															
Reset	0	0	0	0	0	0	0	0	0	0	0	0	0	0	0	0
Bit	15	14	13	12	11	10	9	8	7	6	5	4	3	2	1	0
Name	reserved													bus_size	bus_r_w	
Type	RO													RO	RO	
Reset	0	0	0	0	0	0	0	0	0	0	0	0	0	0	0	0

Bit(s)	Name	Description
31:3	reserved	reserved
2:1	bus_size	Read SPI Slave REG03 Bus access size 00: reserved 01: reserved 10: word (4bytes) 11: reserved
0	bus_r_w	Read SPI Slave REG03

Bit(s)	Name	Description
		Bus access type
		0: read
		1: write

21000710 SPIS_AHB_REG04

SPI AHB Register 04

00000000

Bit	31	30	29	28	27	26	25	24	23	22	21	20	19	18	17	16
Name	reserved															
Type	RO															
Reset	0	0	0	0	0	0	0	0	0	0	0	0	0	0	0	0
Bit	15	14	13	12	11	10	9	8	7	6	5	4	3	2	1	0
Name	reserved															
Type	RO															
Reset	0	0	0	0	0	0	0	0	0	0	0	0	0	0	0	0
Name	bus_busy															
Type	RO															
Reset	0	0	0	0	0	0	0	0	0	0	0	0	0	0	0	0

Bit(s)	Name	Description
31:1	reserved	reserved
0	bus_busy	Read SPI Slave REG04
		Bus interface status
		0: SPI slave bus interface is idle for next access command
		1: SPI slave bus interface is busy

21000714 SPIS_AHB_REG05

SPI AHB Register 05 (Interrupt Status) 00000000

Bit	31	30	29	28	27	26	25	24	23	22	21	20	19	18	17	16
Name	reserved															
Type	RO															
Reset	0	0	0	0	0	0	0	0	0	0	0	0	0	0	0	0

Bit	15	14	13	12	11	10	9	8	7	6	5	4	3	2	1	0	
Name	reserved															spi_sw_irq	
Type	RO															W1C	
Reset	0	0	0	0	0	0	0	0	0	0	0	0	0	0	0	0	0

Bit(s)	Name	Description
31:1	reserved	reserved
0	spi_sw_irq	If SPI host write 1 to spi_sw_irq in REG05, this bit will be set to 1. 0: SPI slave software IRQ is inactive 1: SPI slave software IRQ is active. MCU can clear this bit by write 1. Write 0 is meaningless.

21000718 SPIS_AHB_REG06

SPI AHB Register 06 (Device to Host send Mail Box) 00000000

Bit	31	30	29	28	27	26	25	24	23	22	21	20	19	18	17	16
Name	reserved															
Type	RO															
Reset	0	0	0	0	0	0	0	0	0	0	0	0	0	0	0	0
Bit	15	14	13	12	11	10	9	8	7	6	5	4	3	2	1	0
Name	reserved									SPI_20Mhz_Option	D2HSMB5_0					
Type	RO									W1	W1S					
Reset	0	0	0	0	0	0	0	0	0	0	0	0	0	0	0	0

Bit(s)	Name	Description
31:7	reserved	reserved

Bit(s)	Name	Description
6	SPI_20Mhz_Optoin	Internal option for 20Mhz SPI clock configuration. This configuration is write only. Read will return 0.
5:0	D2HSMB5_0	Device to Host send mailbox bit5 - bit0 MCU could set individual bit to inform SPI host. When MCU set this bit, SPI host can read D2HRMB5-0 in the REG06. MCU write 0 is meaningless. MCU read D2HSMB6-0 0: SPI host clear the D2HRMB6-0 1: SPI host does not clear the D2HRMB6-0

 2100071C **SPIS AHB REG07**

 SPI AHB Register 07 (Host to Device 00000000
received Mail Box)

Bit	31	30	29	28	27	26	25	24	23	22	21	20	19	18	17	16
Name	reserved															
Type	RO															
Reset	0	0	0	0	0	0	0	0	0	0	0	0	0	0	0	0
Bit	15	14	13	12	11	10	9	8	7	6	5	4	3	2	1	0
Name	reserved										H2DRMB6_0					
Type	RO										W1C					
Reset	0	0	0	0	0	0	0	0	0	0	0	0	0	0	0	0

Bit(s)	Name	Description
31:7	reserved	reserved
6:0	H2DRMB6_0	When SPI Host write H2DSMB6-0 in the REG07, this bit will be set to 1. MCU can write 1 to clear H2DRMB6-0 and H2DSMB6-0 in the REG07.

21000740 **SPIS_AHB_REG08**

SPI AHB Configuration

00000000

Bit	31	30	29	28	27	26	25	24	23	22	21	20	19	18	17	16
Name	reserved															
Type	RW															
Reset	0	0	0	0	0	0	0	0	0	0	0	0	0	0	0	0
Bit	15	14	13	12	11	10	9	8	7	6	5	4	3	2	1	0
Name	reserved											ahb_addr_inc_disable	reserved		spis_mode	
Type	RW											RW	RW		RW	
Reset	0	0	0	0	0	0	0	0	0	0	0	0	0	0	0	0

Bit(s)	Name	Description
31:5	reserved	reserved
4	ahb_addr_inc_disable	The address auto increment function for AHB Master 0: The address will auto increment after AHB Master read/write done. 1: The address will disable auto increment function.
3:2	reserved	reserved
1:0	spis_mode	SPI slave clock polarity and phase configuration 2'b00: CPOL=0, CPHA=0 2'b01: CPOL=0, CPHA=1 2'b10: CPOL=1, CPHA=0 2'b11: CPOL=1, CPHA=1

2.5.6.9 SPI Pinmux Configuration

MT7687 needs to setup pinmux configuration to select fast-speed GPIO for SPI Slave interface. Also, it needs to setup internal option for 20Mhz SPI clock.

Table 2-52. SPI Interface Pinmux Configuration

PINMUX Configuration (AON FUNC6)
Write address [0x8102302c], Bit[31:20] = 0x666
Write address [0x81023030], Bit[3:0] = 0x6

MT7687 SPI slave needs to setup internal option for 20Mhz SPI Clock. Following table list configuration for CPOL/CPHA setting.

Table 2-53. SPI CPOL/CPHA Configuration

SPI Slave CPOL/CPHA Configuration
Mode 1 (CPOL =0 / CPHA=0) Write address [0x21000718], Bit[6] = 0x1 Write address [0x21000740], Bit[1:0] = 0x0 Write address [0x81023058], Bit[5] = 0x1 Write address [0x8102305c], Bit[5] = 0x0
Mode 2 (CPOL =0 / CPHA=1) Write address [0x21000718], Bit[6] = 0x1 Write address [0x21000740], Bit[1:0] = 0x1 Write address [0x81023058], Bit[5] = 0x1 Write address [0x8102305c], Bit[5] = 0x1
Mode 3 (CPOL =1 / CPHA=0)

SPI Slave CPOL/CPHA Configuration
Write address [0x21000718], Bit[6] = 0x1
Write address [0x21000740], Bit[1:0] = 0x2
Write address [0x81023058], Bit[5] = 0x1
Write address [0x8102305c], Bit[5] = 0x1
Mode 4 (CPOL =1 / CPHA=1)
Write address [0x21000718], Bit[6] = 0x1
Write address [0x21000740], Bit[1:0] = 0x3
Write address [0x81023058], Bit[5] = 0x1
Write address [0x8102305c], Bit[5] = 0x0

2.5.7 I2S Interface

MT76X7 features one I2S interface, which is used to connect to an external audio codec. The I2S interface can support the I2S slave mode only. The five I2S signals are shown below. The I2S_MLK clock frequency is 16MHz.

Table 2-54. I2S Pin Description

Signal Name	Signal Description	Direction (Slave Mode)
I2S_MCLK	The base clock of the function.	Output
I2S_BCLK	The bit clock of the interface	Input
I2S_FS (LRCLK)	The left/right word select line of the interface	Input
I2S_TX	Digital audio output	Output
I2S_RX	Digital audio input	Input

MT76X7 supplies the MCLK of 16MHz. The external CODEC generates BCLK and LRCLK from MCLK. When configured as the I2S slave mode, the I2S interface can support two modes.

Table 2-55. I2S Slave Mode

Slave Mode	Bit Width	Input Sample (Uplink)	Output Sample (Downlink)	BCLK (Input)	FS (Input)
Mode 1	16b	16KHz, mono	16KHz, mono	512KHz	16KHz
Mode 2	16b	24KHz, mono	24KHz, mono	768KHz	24KHz

The mono data is transferred across the I2S bus as left channel information.

In all of the modes above, when the input data is mono, the data of interest is transferred across the I2S bus on the left channel.

The I2S pins are multiplexed with SPI pins.

The signal waveform of I2S is shown below.

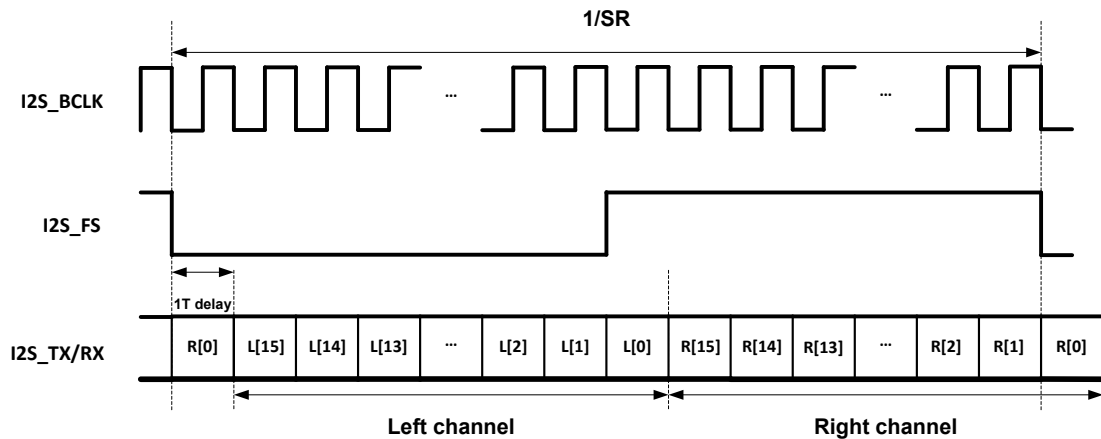


Figure 2-59. I2S Signal Waveform

2.5.7.1 Registers Definitions

Module name: audio_top Base address: (+830b0000h)

Address	Name	Width	Register Function
830B0000	<u>GLOBAL CONTROL</u>	32	AUDIO TOP CONTROL REGISTER
830B0004	<u>DL CONTROL</u>	32	DL I2S CONTROL REGISTER
830B0008	<u>UL CONTROL</u>	32	UL I2S CONTROL REGISTER
830B000C	<u>SOFT RESET</u>	32	DLUL SOFT RESET REGISTER

830B0000 GLOBAL CONTROL AUDIO TOP CONTROL REGISTER 00000000

Bit	31	30	29	28	27	26	25	24	23	22	21	20	19	18	17	16
Name	LO OP BA CK	BT _M OD E			CLK_SEL _OUT		CLK_SEL _IN					NE G_ CA P	CK _I NV	X2 6M _S EL	CO DE C_ 26 M_ EN	
Type	RW	WO			RW		RW					RW	RW	RW	WO	
Reset	0	0			0	0	0	0				0	0	0	0	
Bit	15	14	13	12	11	10	9	8	7	6	5	4	3	2	1	0
Name							DL _M ON O_ DU P	DL _M ON O	DL _L RS W	EX T_ LR SW	EX T	EX T_ I O_ CK	EN GE N_ EN	UL FIF O_ EN	DL FIF O_ EN	EN
Type							RW	RW	RW	RW	RW	WO	RW	RW	RW	RW
Reset							0	0	0	0	0	0	0	0	0	0

Bit(s)	Name	Description
31	LOOPBACK	I2S out to I2S in loopback 0: disable 1: enable
30	BT_MODE	external I2S is from PAD/BT 0: PAD 1: BT
27:26	CLK_SEL_OUT	I2S out clock source selection 00 : 13M(depend on 26M_SEL) (master) 01 : 26M(depend on 26M_SEL) 10 : XPLL 16M 11 : external bclk in (slave)
25:24	CLK_SEL_IN	I2S in source selection 00 : 13M(depend on 26M_SEL) (master) 01 : 26M(depend on 26M_SEL) 10 : XPLL 16M 11 : external bclk in (slave)
20	NEG_CAP	Negative edge capture RX data 0: disable 1: enable
19	CK_INV	MCLK clock inverse 0: disable 1: enable
18	X26M_SEL	26M clock source selection 0 : XTAL Clock 1 : XPLL 26M
17	CODEC_26M_EN	cg of internal codec(default on)
9	DL_MONO_DUP	When DL_MONO=1, if right channel send duplicate data. 0: right channel send all 0. 1: right channel send the same data as the left.
8	DL_MONO	DL MONO mode 0: STEREO 1: MONO
7	DL_LRSW	DL with LR switch 0: LR no swap 1: LR swap
6	EXT_LRSW	External codec with LR switch 0: LR no swap 1: LR swap
5	EXT	External codec mode(slave) 0: internal codec 1: external codec
4	EXT_IO_CK	Clk source of external codec mode(slave) 0: from i2s_in 1: from i2s_out
3	ENGEN_EN	Engen enable 0: disable 1: enable
2	ULFIFO_EN	UL_FIFO enable 0: disable 1: enable
1	DLFIFO_EN	DL_FIFO enable 0: disable 1: enable
0	EN	Audio top enable

830B0004 DL CONTROL
DL I2S CONTROL REGISTER
00000008

Bit	31	30	29	28	27	26	25	24	23	22	21	20	19	18	17	16
-----	----	----	----	----	----	----	----	----	----	----	----	----	----	----	----	----

Name	LR_SWAP	CH_PER_S							MSB_OFFSET							
Type	RW	RW							RW							
Reset	0	0	0						0	0	0	0	0	0	0	
Bit	15	14	13	12	11	10	9	8	7	6	5	4	3	2	1	0
Name	WS_RSYNC	BIT_PER_S		HDEN	SR						WSINV	DIR	FMT	SRC	WLEN	EN
Type	RW	RW		RO	RW						RW	RO	RW	RW	RO	RW
Reset	0	0	0	0	0	0	0	0			0	0	1	0	0	0

Bit(s)	Name	Description
31	LR_SWAP	Swap the data of Right and Left channel 0: no swap 1: swap
30:29	CH_PER_S	Number of channel in each FS cycle (just used in TDM mode) 00: 2 channels 01: 4 channels
23:17	MSB_OFFSET	Delay cycle from rising edge of FS to first channel MSB 0 : 0T n : nT
15	WS_RSYNC	WS sync function enable for external codec, the LR I2S data will be aligned with every WS edge 0: WS sync function disable 1: WS sync function enable
14:13	BIT_PER_S	Number of bits in each FS cycle 00: 32 bits 01: 64 bits 10: 128 bits
12	HDEN	0: ENGEN source is 26M
11:8	SR	Sample rate 0000 : 8k 0010 : 12k 0100 : 16k 0110 : 24k 1000 : 32k 1010 : 48k else : reserved
5	WSINV	WS reverse 0 : no reverse 1 : reverse
4	DIR	0 : TX
3	FMT	Data Format 1 : I2S 0 : TDM
2	SRC	Master/Slave mode 0 : master 1 : slave
1	WLEN	Sample Size 0: 16bits
0	EN	I2S out enable

830B0008 UL CONTROL UL I2S CONTROL REGISTER 00000018

Bit	31	30	29	28	27	26	25	24	23	22	21	20	19	18	17	16
Name	LR_SWAP	CH_PER_S		UPDATE_WORD					MSB_OFFSET							DOWN_RATE
Type	RW	RW		RW					RW							RW
Reset	0	0	0	0	0	0	0	0	0	0	0	0	0	0	0	0
Bit	15	14	13	12	11	10	9	8	7	6	5	4	3	2	1	0
Name	WS_RSYNC	BIT_PER_S		HDEN	SR						WSINV	DIR	FMT	SRC	WLEN	EN
Type	RW	RW		RO	RW						RW	RO	RW	RW	RO	RW
Reset	0	0	0	0	0	0	0	0			0	1	1	0	0	0

Bit(s)	Name	Description
31	LR_SWAP	Swap the data of Right and Left channel 0: no swap 1: swap
30:29	CH_PER_S	Number of channel in each FS cycle (just used in TDM mode) 00: 2 channels 01: 4 channels
28:24	UPDATE_WORD	Which cycle will I2S in update FIFO
23:17	MSB_OFFSET	Delay cycle from rising edge of FS to first channel MSB 0 : 0T n : nT
16	DOWN_RATE	Will UL real sample rate is 1/2 of SR 0: real sample rate = SR 1: drop 1 sample in each 2 input samples
15	WS_RSYNC	WS sync function enable for external codec, the LR I2S data will be aligned with every WS edge 0: WS sync function disable 1: WS sync function enable
14:13	BIT_PER_S	Number of bits in each FS cycle 00: 32 bits 01: 64 bits 10: 128 bits
12	HDEN	0: ENGEN source is 26M
11:8	SR	Sample rate 0000 : 8k 0010 : 12k 0100 : 16k 0110 : 24k 1000 : 32k 1010 : 48k else : reserved
5	WSINV	WS reverse 0 : no reverse 1 : reverse
4	DIR	1 : RX
3	FMT	Data Format 1 : I2S 0 : TDM
2	SRC	Master/Slave mode

Bit(s)	Name	Description
1	WLEN	0 : master 1 : slave
0	EN	Sample Size 0: 16bits I2S out enable

830B000C SOFT RESET								DLUL SOFT RESET REGISTER								00000000	
Bit	31	30	29	28	27	26	25	24	23	22	21	20	19	18	17	16	
Name																	
Type																	
Reset																	
Bit	15	14	13	12	11	10	9	8	7	6	5	4	3	2	1	0	
Name																SOFT_RST	
Type																RW	
Reset																0	

Bit(s)	Name	Description
0	SOFT_RST	soft reset audio_top and codec, active high. If you want to reset ,please write this bit to 1 and then write 0.

2.5.8 Pulse Width Modulation (PWM)

2.5.8.1 General Description

MT76X7 features 28 generic PWMs to generate pulse sequences with programmable frequency and duration for LCD, vibrators, and other devices. The PMU features three configurable pattern options with three PWM clock frequency sources: 32KHz/2MHz/XTAL

Table 2-56. PWM Modes

Mode	Description	Waveform
------	-------------	----------

Mode	Description	Waveform
1	Basic PWM: LED ON time (duration) and LED OFF time (duration) are configurable.	
2	Two-State PWM: There are two configurable states (S0 and S1) for PWM LED.	
3	Two-State replay mode: User can set replay mode with specified S1_Lasting_Time. PWM LED would act as [S0→S1→S0→S1→S0...] with period time of (S0_Lasting_Time + S1_Lasting_Time)	

2.5.8.2 PWM Block Diagram

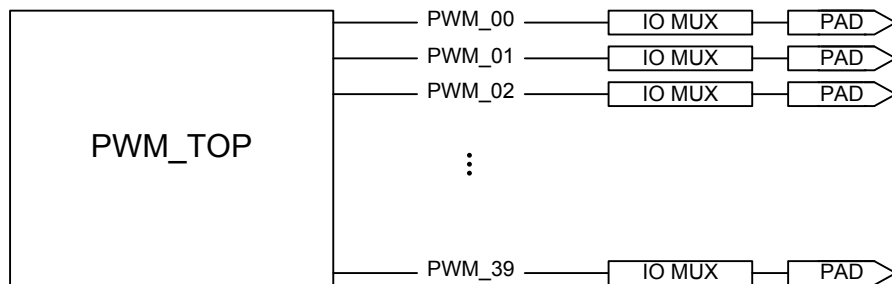


Figure 2-60. PWM Block Diagram

There are total 40 PWM modules in MT76X7 which can be configured individually. All PWM-related HW modules belong to always-on power domain, including the output pinmux selection logic.

SW programmers should refer to iomux/pinmux table to enable the corresponding output multiplexer of each PWM module.

2.5.8.3 PWM Function

The PWM function is described below.

● PWM Formula

User can set pwm_on_time (X) $\approx \frac{Df}{F}$, pwm_off_time (Y) $\approx \frac{(1-D)f}{F}$ to approach the target PWM duty cycle (D) and PWM frequency (F) with tick clock frequency (f)

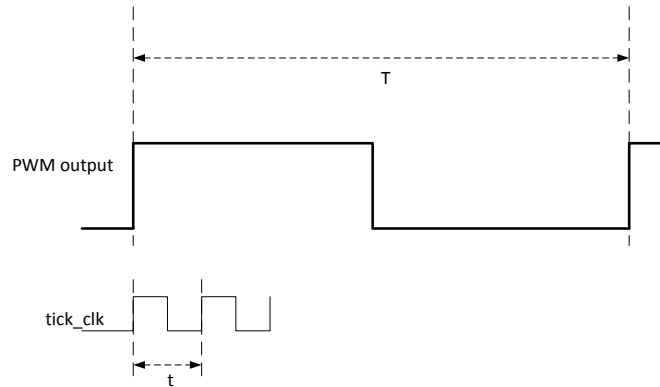


Figure 2-61. Illustration of PWM Cycle

Table 2-57. PWM Parameters

T(second)	PWM period
F (Hz)	PWM frequency = 1/T
t (second)	Tick clk period
f (Hz)	Tick clk frequency = 1/t
D (%)	Duty cycle
X (unit t)	Value of configurable register pwm_on_time[15:0], in unit t
Y (unit t)	Value of configurable register pwm_off_time[15:0], in unit t
Res (step)	PWM resolution of duty cycle on certain F, f

Below is the derivation of PWM function.

$$(X + Y) t = T$$

$$\rightarrow (X + Y) = \frac{T}{t} = \frac{f}{F} = \text{Res}$$

$$D = \frac{X}{(X+Y)}$$

$$\rightarrow X = D(X+Y) = \frac{Df}{F}$$

$$\rightarrow Y = \frac{f}{F} - X = \frac{f}{F} - \frac{Df}{F} = \frac{(1-D)f}{F}$$

- PWM Modes

There are three modes in this PWM IP:

- Basic mode
- 2-state PWM
- 2-state with reply mode.

1. Basic PWM

PWM_ON duration and PWM_OFF duration are configurable by setting `pwm_on_time[15:0]` and `pwm_off_time[15:0]`. Once these parameters are set, PWM would act periodically with

- (a) Period: $(\text{PWM_ON duration} + \text{PWM_OFF duration})$
- (b) Duty cycle: $\frac{\text{PWM_ON duration}}{(\text{PWM_ON duration} + \text{PWM_OFF duration})}$

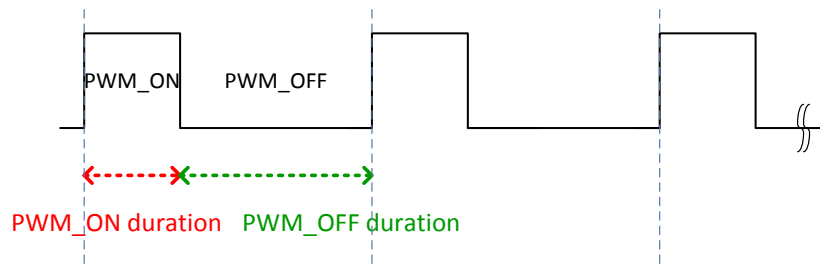


Figure 2-62. PWM Normal Function

2. 2-State PWM

There are two configurable states (S0 and S1) for PWM. User can set individual blink behaviors for these two states. User can also specify `S0_stay_cycle` to configure the stay cycles of S0.

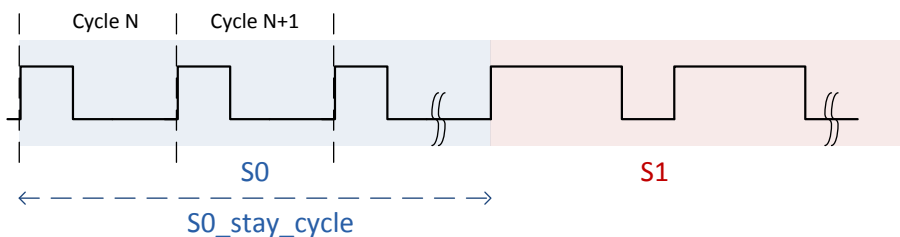


Figure 2-63. 2-State PWM

3. 2-state Replay Mode

User can set replay mode with specified `S0_stay_cycle` and `S1_stay_cycle`. PWM would act as `[S0→S1→S0→S1→S0...]`

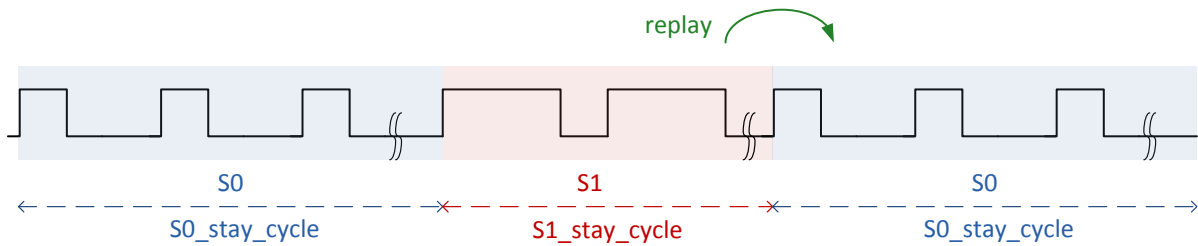


Figure 2-64. 2-State Replay Mode PWM

- Configurable Tick Clock

MT76X7 supports three tick clock sources for PWM

- 2MHz
- 32KHz
- XTAL clock (by customer platform, should be 40MHz/26MHz/52MHz)

2.5.8.4 Programming Examples

(1) Make PWM frequency = 200Hz, Duty cycle = 50%



1. `PWM_GLO_CTRL.pwm_tick_clock_sel = 1` // tick selection = 2MHz (f = 2M)
2. `PWM_CTRL.pwm_clock_en = 1` // Enable PWM clock
3. `PWM_PARAM_S0.S0_pwm_on_time = 5000` // $X = \frac{Df}{F} = 5000$
4. `PWM_PARAM_S0.S0_pwm_off_time = 5000` // $Y = \frac{(1-D)f}{F} = 5000$
5. `PWM_CTRL.S0_stay_cycle = 1` // S0 exists, set S0 stay cycle to non-zero value
6. `PWM_CTRL.S1_stay_cycle = 0` // No S1 exists, set S1 stay cycle to zero
7. `PWM_CTRL.kick = 1` // Play button, PWM would behave as setting

(2) What's the resolution when PWM frequency (F) = 1KHz?

1. If user chooses tick clock f = 2M
2. Resolution = $\frac{f}{F} = 2000$ (steps)

3. If user chooses tick clock $f = 32K$
 4. Resolution = $\frac{f}{F} = 32$ (steps)
- If user wants to get bigger resolution, use faster tick clock (f)

(3) Make PWM off 100ms, and then blink with 200Hz, Duty cycle 30%



1. 1. PWM_GLO_CTRL.PWM_tick_clock_sel = 1 // tick selection = 2MHz ($f = 2M$)
2. 2. PWM_PARAM_S0.S0_pwm_on_time = 0 // PWM always off for S0, $X = \frac{Df}{F} = 0$
3. 3.1 PWM_PARAM_S0.S0_pwm_off_time = 2000 // PWM_OFF duration = 1ms = $Yt \rightarrow Y = \frac{1ms}{1/(2MHz)} = 2000$
 3.2 PWM_CTRL.S0_stay_cycle = 100 // PWM_OFF duration x stay_cycle = 1ms x 100 = 100ms
4. PWM_PARAM_S1.S1_pwm_on_time = 3000 // $X = \frac{Df}{F} = 3000$
5. PWM_PARAM_S1.S1_pwm_off_time = 7000 // $Y = \frac{(1-D)f}{F} = 7000$
6. PWM_CTRL.S1_stay_cycle = 1 // Make S1 exist
7. PWM_CTRL.replay_mode = 0 // No replay
8. PWM_CTRL.kick = 1 // Play button, PWM would behave as setting

2.5.8.5 Notice

- (1) For individual PWM, if PWM_CTRL.S1_stay_cycle = 0, means “S1 does not exist”. PWM would repeat S0 forever.
- (2) For individual PWM, setting PWM_CTRL.S0_stay_cycle = 0 is invalid. However, when user set as this, waveform would act as PWM_OFF.
- (3) For individual PWM, setting both PWM_PARAM_S0.S0_pwm_off_time and PWM_PARAM_S0.S0_pwm_on_time = 0 is invalid. However, when user set as this, waveform would act as PWM_OFF.
- (4) For individual PWM, if S1 exists, setting both PWM_PARAM_S1.S1_pwm_off_time and PWM_PARAM_S1.S1_pwm_on_time = 0 is invalid. However, when user set as this, waveform would act as PWM_OFF.
- (5) Suggested switch tick clock flow

1. Set PWM_GLO_CTRL.pwm_global_reset = 1
2. Clear PWM_GLO_CTRL.pwm_global_reset = 0
3. Configure PWM_GLO_CTRL.pwm_tick_clock_sel

Before switching tick clock, resetting PWM modules and parameters is suggested. After toggling global reset, all PWM modules stop and behave as PWM_OFF.

- (6) Individual PWM kick (PWM_CTRL.kick) operation shall synchronize on the PWM period cycle. Kick takes effect when the current cycle finishes.
- (7) Global kick (PWM_GLO_CTRL.global_kick) operation shall start the cycle of all the PWM's at the same time.

2.5.8.6 Register Definitions (PWM_NUM = 0~39)

Module name: pwm_top Base address: (+8300a600h)

Address	Name	Width	Register Function
8300A600	PWM_GLO_CTRL	32	PWM global control
8300A700 + n*(0x00000010)	PWM_CTRL[n] (n=0~39)	32	PWM control
8300A704 + n*(0x00000010)	PWM_PARAM So [n] (n=0~39)	32	
8300A708 + n*(0x00000010)	PWM_PARAM S1 [n] (n=0~39)	32	

8300A600 PWM_GLO_CTRL PWM global control 00000000

Bit	31	30	29	28	27	26	25	24	23	22	21	20	19	18	17	16
Name	-															
Type	RO															
Reset	0	0	0	0	0	0	0	0	0	0	0	0	0	0	0	0
Bit	15	14	13	12	11	10	9	8	7	6	5	4	3	2	1	0
Name	-												pwm_global_reset	pwm_tick_clock_sel	global_kick	
Type	RO												RW	RW	WO	
Reset	0	0	0	0	0	0	0	0	0	0	0	0	0	0	0	0

Bit(s)	Name	Description
31:4	-	Reserved

Bit(s)	Name	Description
3	pwm_global_reset	Write 1 and then write 0 to reset all PWM modules and its parameters (PWM_CTRL/PWM_PARAM_S0/PWM_PARAM_S1).
2:1	pwm_tick_clock_sel	PWM tick clock select. 2'h0: 32KHz 2'h1: 2MHz 2'h2: XTAL clock
0	global_kick	All PWM modules with "pwm_global_kick_enable" would be kicked by this bit at the same time

8300A700 PWM_CTRL
+
[n](n=0~39)
n*(0X000
00010)

PWM control

0000000C

Bit	31	30	29	28	27	26	25	24	23	22	21	20	19	18	17	16		
Name	S1_stay_cycle											So_stay_cycle						
Type	RW											RW						
Reset	0	0	0	0	0	0	0	0	0	0	0	0	0	0	0	0		
Bit	15	14	13	12	11	10	9	8	7	6	5	4	3	2	1	0		
Name	So_stay_cycle											-	pwm_global_kick_enable	pwm_clock_en	pwm_io_ctrl	polarity	replay_mode	kick
Type	RW											RO	RW	RW	RW	RW	RW	WO
Reset	0	0	0	0	0	0	0	0	0	0	0	0	1	1	0	0		

Bit(s)	Name	Description
31:20	S1_stay_cycle	The stay cycles of S1 (If this field is 0, S1 does not exist)
19:8	So_stay_cycle	The stay cycles of So
7:6	-	Reserved
5	pwm_global_kick_enable	PWM would be kicked by global kick if this bit is set
4	pwm_clock_en	PWM clock enable. 1'h0: Gating tick clock for PWM
3	pwm_io_ctrl	PWM IO control. 1'h0: PIO (as output) 1'h1: open drain (as output when active low)
2	polarity	PWM polarity setting. 1'h0: active high 1'h1: active low
1	replay_mode	Replay mode indication (Only available when S1 exists)
0	kick	Module load PWM parameter setting and generate waveform

8300A704 PWM_PARAM_S0
+
[n](n=0~39)

00000000

**n*(0X000
00010)**

Bit	31	30	29	28	27	26	25	24	23	22	21	20	19	18	17	16
Name	So_pwm_off_time															
Type	RW															
Reset	0	0	0	0	0	0	0	0	0	0	0	0	0	0	0	0
Bit	15	14	13	12	11	10	9	8	7	6	5	4	3	2	1	0
Name	So_pwm_on_time															
Type	RW															
Reset	0	0	0	0	0	0	0	0	0	0	0	0	0	0	0	0

Bit(s)	Name	Description
31:16	So_pwm_off_time	So PWM_OFF duration (unit: tick clock period)
15:0	So_pwm_on_time	So PWM_ON duration (unit: tick clock period)

8300A708 PWM PARAM S1
 + **[n](n=0~39)**
00000000
**n*(0X000
00010)**

Bit	31	30	29	28	27	26	25	24	23	22	21	20	19	18	17	16
Name	S1_pwm_off_time															
Type	RW															
Reset	0	0	0	0	0	0	0	0	0	0	0	0	0	0	0	0
Bit	15	14	13	12	11	10	9	8	7	6	5	4	3	2	1	0
Name	S1_pwm_on_time															
Type	RW															
Reset	0	0	0	0	0	0	0	0	0	0	0	0	0	0	0	0

Bit(s)	Name	Description
31:16	S1_pwm_off_time	S1 PWM_OFF duration (unit: tick clock period)
15:0	S1_pwm_on_time	S1 PWM_ON duration (unit: tick clock period)

2.5.8.7 Application Notes

(1) Following Section 2.5.7.5 Note(6)

There is a HW limitation in MT76X7.

The setting below would make the next individual kick for PWM #N invalid, pwm_global_reset can recover it.

- (A) PWM_PARAM_S0. S0_pwm_off_time = 1 when only S0 exists.
- (B) PWM_PARAM_S1. S1_pwm_off_time = 1 when S1 exits and turn off replay mode.
- (C) Both PWM_PARAM_S0. S0_pwm_off_time = 1 and PWM_PARAM_S1. S1_pwm_off_time = 1 when both S0 and S1 exist and turn on replay mode.

Base on this HW limitation, SW is recommended not to set either PWM_PARAM_S0. S0_pwm_off_time = 1 or PWM_PARAM_S1. S1_pwm_off_time = 1.

2.5.9 IrDA

2.5.9.1 General Description

IrDA TX module supports consumer IR protocols including NEC, RC-5, RC-6, and the software-based pulse-width mode. IrDA RX module supports protocols including RC-5 and pulse-width detection mode.

2.5.9.2 Block Diagram

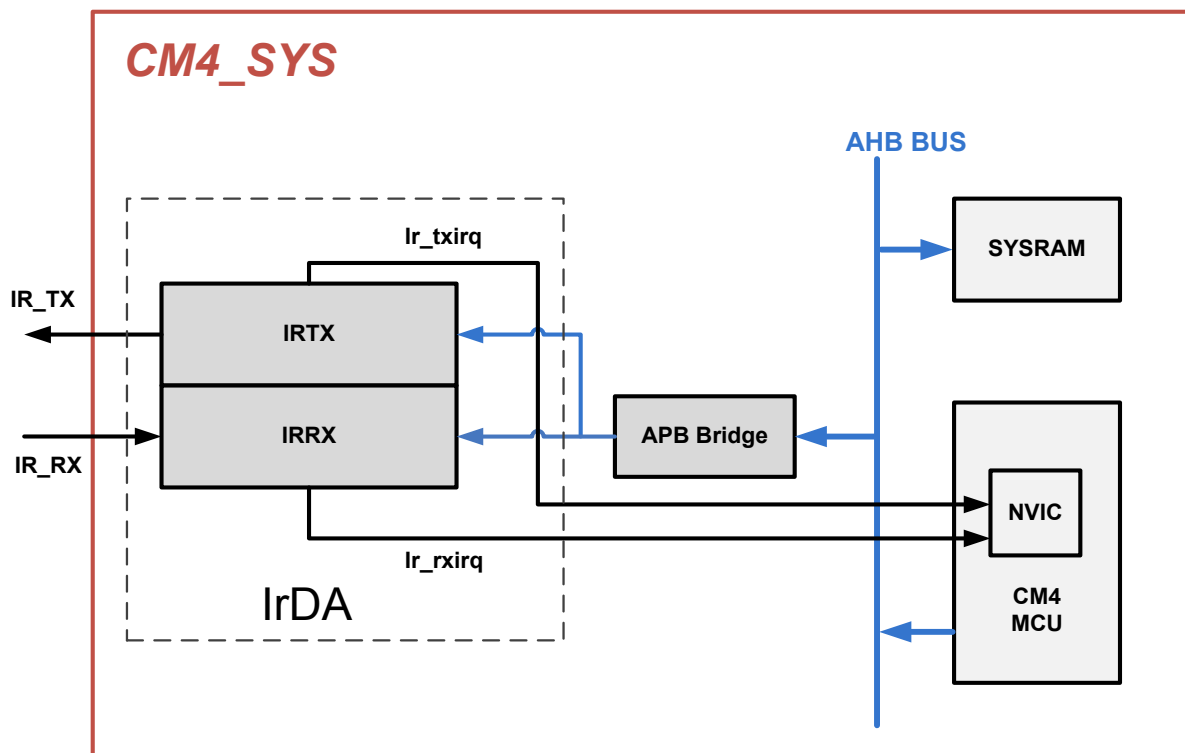


Figure 2-65. IRDA Block Diagram

2.5.9.3 IRTX Function

2.5.9.3.1 NEC

2.5.9.3.1.1 Introduction

The NEC protocol uses pulse distance encoding of the bits. Each pulse is a 560µs long 38kHz carrier burst (about 21 cycles). A logical "1" takes 2.25ms to transmit, while a logical "0" is only half of that, being 1.125ms as shown in Figure 1-1. The recommended carrier duty-cycle is 1/4 or 1/3.

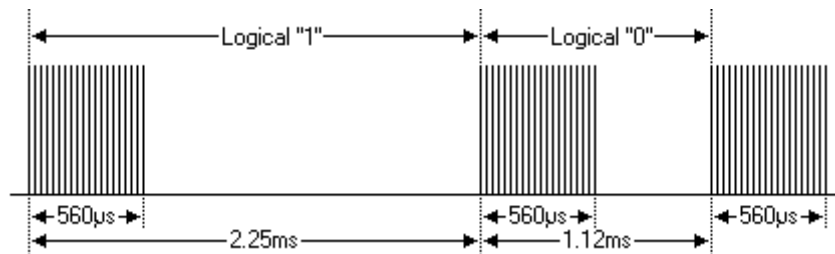


Figure 2-66. The Logic Representation for NEC Protocol



Figure 2-67. The Pulse Train in Transmission of NEC Protocol

The figure above shows a typical pulse train of the NEC protocol. With this protocol the LSB is transmitted first. In this case Address \$59 and Command \$16 is transmitted. A message is started by a 9ms AGC burst, which was used to set the gain of the earlier IR receivers. This AGC burst is then followed by a 4.5ms space, which is then followed by the Address and Command. Address and Command are transmitted twice. The second time all bits are inverted and can be used for verification of the received message. The total transmission time is constant because every bit is repeated with its inverted length.

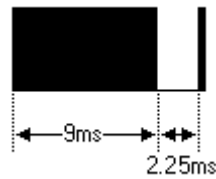


Figure 2-68. Message is Started by a 9ms AGC Burst

A command is transmitted only once, even when the key on the remote control remains pressed. Every 110ms a repeat code is transmitted for as long as the key remains down. This repeat code is simply a 9ms AGC pulse followed by a 2.25ms space and a 560µs burst.

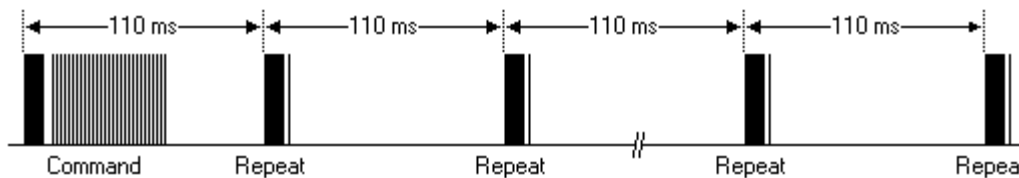


Figure 2-69. A Repeat Code is Transmitted Every 110ms

2.5.9.3.1.2 Features

- 8 bit address and 8 bit command length
- Address and command are transmitted twice for reliability
- Pulse distance modulation
- Carrier frequency of 38kHz
- Bit time of 1.125ms or 2.25ms

2.5.9.3.2 Philips RC-5 Protocol

2.5.9.3.2.1 Introduction

The protocol uses bi-phase modulation (or so-called Manchester coding) of a 36kHz IR carrier frequency. All bits are of equal length of 1.778ms in this protocol, with half of the bit time filled with a burst of the 36kHz carrier and the other half being idle. A logical zero is represented by a burst in the first half of the bit time. A logical one is represented by a burst in the second half of the bit time. The pulse/pause ratio of the 36kHz carrier frequency is 1/3 or 1/4 which reduces power consumption.

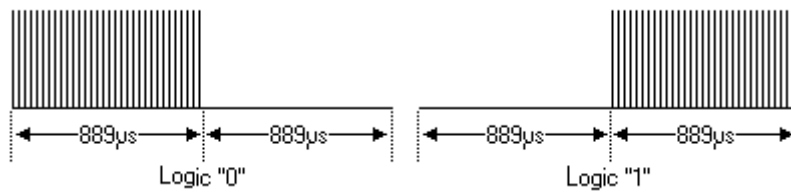


Figure 2-70. Coding Method for RC5 Protocol

2.5.9.3.2.2 Features

- 5 bit address and 6 bit command length (7 command bits for RC5X)
- Bi-phase coding (aka Manchester coding)
- Carrier frequency of 36kHz
- Constant bit time of 1.778ms (64 cycles of 36 kHz)
- Manufacturer Philips

2.5.9.3.3 Philips RC-6 Protocol

2.5.9.3.3.1 Introduction

RC-6 is the successor of the RC-5 protocol. Like RC-5 the new RC-6 protocol was also defined by Philips. It is a very versatile and well defined protocol. Because of this versatility its original definition is many pages long. Here on my page I will only summarize the most important properties of this protocol. RC-6 signals are modulated on a 36 kHz Infra Red carrier. The duty cycle of this carrier has to be between 25% and 50%.

Data is modulated using Manchester coding. This means that each bit (or symbol) will have both a mark and space in the output signal. If the symbol is a "1" the first half of the bit time is a mark and the second half is a space. If the symbol is a "0" the first half of the bit time is a space and the second half is a mark.

The main timing unit is 1t, which is 16 times the carrier period (1/36k * 16 = 444µs). With RC-6 a total of 5 different symbols are defined:

- The leader pulse, which has a mark time of 6t (2.666ms) and a space time of 2t (0.889ms). This leader pulse is normally used to set the gain of the IR receiver unit.

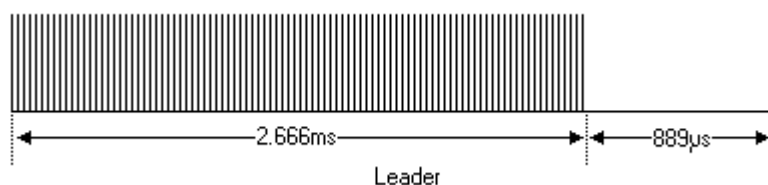


Figure 2-71. The Lead Pulse in RC6 Protocol

- Normal bits, which have a mark time of $1t$ (0.444ms) and space time of $1t$ (0.444ms). A "0" and "1" are encoded by the position of the mark and space in the bit time.

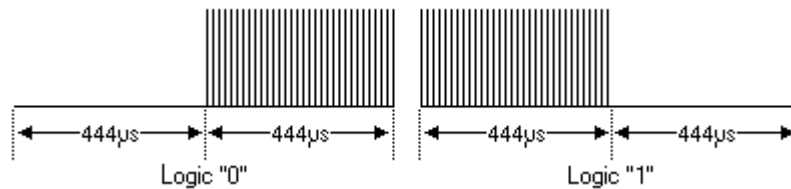


Figure 2-72. Coding Method for RC6 Protocol

- Trailer bits, which have a mark time of $2t$ (0.889ms) and a space time of $2t$ (0.889ms). Again a "0" and "1" are encoded by the position of the mark and space in the bit time.

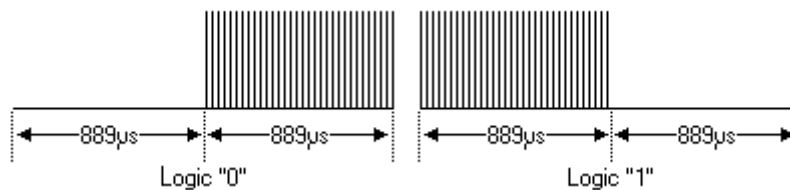


Figure 2-73. The Trailer Pulse in RC6 Protocol

The leader and trailer symbols are only used in the header field of the messages.

2.5.9.3.3.2 Features

- Different modes of operation, depending on the intended use
- Dedicated Philips modes and OEM modes
- Variable command length, depending on the operation mode
- Bi-phase coding (aka Manchester coding)
- Carrier frequency of 36kHz
- Manufacturer Philips

2.5.9.4 Register Definitions

Module name: IRTX Base address: (+8306000h)

Address	Name	Width	Register Function
83060000	<u>IRTXCFG</u>	32	IRTX CONFIGURATION REGISTER
83060004	<u>IRTXD0</u>	32	IRTX TRANSMISSION DATA 0 REGISTER
83060008	<u>IRTXD1</u>	32	IRTX TRANSMISSION DATA 1 REGISTER
8306000C	<u>IRTXD2</u>	32	IRTX TRANSMISSION DATA 2 REGISTER
83060010	<u>IRTX LoH</u>	32	IRTX LOGIC 0 HIGH PERIOD REGISTER
83060014	<u>IRTX LoL</u>	32	IRTX LOGIC 0 LOW PERIOD REGISTER
83060018	<u>IRTX L1H</u>	32	IRTX LOGIC 1 HIGH PERIOD REGISTER
8306001C	<u>IRTX L1L</u>	32	IRTX LOGIC 1 LOW PERIOD REGISTER
83060020	<u>IRTXSYNCH</u>	32	IRTX SYNC HIGH PERIOD REGISTER
83060024	<u>IRTXSYNCL</u>	32	IRTX SYNC LOW PERIOD REGISTER
83060028	<u>IRTXMT</u>	32	IRTX MODULATION PARAMETER REGISTER
8306002C	<u>IRTX INT CLR</u>	32	IRTX INTERRUPT CLEAR REGISTER
83060030	<u>IRTX SWM BP</u>	32	IRTX SOFTWARE MODE BASE PERIOD REGISTER
83060034	<u>IRTX SWM PW0</u>	32	IRTX SOFTWARE MODE PULSE WIDTH REGISTER 0
83060038	<u>IRTX SWM PW1</u>	32	IRTX SOFTWARE MODE PULSE WIDTH REGISTER 1
8306003C	<u>IRTX SWM PW2</u>	32	IRTX SOFTWARE MODE PULSE WIDTH REGISTER 2
83060040	<u>IRTX SWM PW3</u>	32	IRTX SOFTWARE MODE PULSE WIDTH REGISTER 3
83060044	<u>IRTX SWM PW4</u>	32	IRTX SOFTWARE MODE PULSE WIDTH REGISTER 4
83060048	<u>IRTX SWM PW5</u>	32	IRTX SOFTWARE MODE PULSE WIDTH REGISTER 5
8306004C	<u>IRTX SWM PW6</u>	32	IRTX SOFTWARE MODE PULSE WIDTH REGISTER 6
83060050	<u>IRTX SWM PW7</u>	32	IRTX SOFTWARE MODE PULSE WIDTH REGISTER 7
83060054	<u>IRTX SWM PW8</u>	32	IRTX SOFTWARE MODE PULSE WIDTH REGISTER 8
83060058	<u>IRTX SWM PW9</u>	32	IRTX SOFTWARE MODE PULSE WIDTH REGISTER 9
8306005C	<u>IRTX SWM PW10</u>	32	IRTX SOFTWARE MODE PULSE WIDTH REGISTER 10
83060060	<u>IRTX SWM PW11</u>	32	IRTX SOFTWARE MODE PULSE WIDTH REGISTER 11
83060064	<u>IRTX SWM PW12</u>	32	IRTX SOFTWARE MODE PULSE WIDTH REGISTER 12
83060068	<u>IRTX SWM PW13</u>	32	IRTX SOFTWARE MODE PULSE WIDTH REGISTER 13
8306006C	<u>IRTX SWM PW14</u>	32	IRTX SOFTWARE MODE PULSE WIDTH REGISTER 14
83060070	<u>IRTX SWM PW15</u>	32	IRTX SOFTWARE MODE PULSE WIDTH REGISTER 15
83060074	<u>IRTX SWM PW16</u>	32	IRTX SOFTWARE MODE PULSE WIDTH REGISTER 16

83060000 IRTXCFG IRTX CONFIGURATION REGISTER 00000000

Bit	31	30	29	28	27	26	25	24	23	22	21	20	19	18	17	16
Name																
Type																
Reset																
Bit	15	14	13	12	11	10	9	8	7	6	5	4	3	2	1	0
Name	DATA_INV	IRTX_BITNUM							IRTX_IRINVS	IRTX_IROS	IRTX_RODR	IRTX_BODR	IRTX_MODE			IRTX_STRT
Type	RW	RW							RW	RW	RW	RW	RW			RW
Reset	0	0	0	0	0	0	0	0	0	0	0	0	0	0	0	0

Bit(s)	Name	Description
15	DATA_INV	IR N inverter Set this bit as '1' to invert IR data waveform only (Disabled in Software Pulse-Width Mode)
14:8	IRTX_BITNUM	Bit Number Number of IR bits will be transmitted (Disabled in Software Pulse-Width Mode)
7	IRTX_IRINVS	IR inverter Set this bit as '1' to invert IR output
6	IRTX_IROS	IR output select 0: IR output is IRTX baseband signal 1: IR output is IRTX modulated signal
5	IRTX_RODR	Register transmission order 0: IRTX_Ro first, IRTX_R11 last (Ro, R1 ~ R11) 1: IRTX_R11 first, IRTX_Ro last (R11, R10 ~ Ro)
4	IRTX_BODR	Bit transmission order 0: MSB first, LSB last (ex. Ro[7], Ro[6] ~ Ro[0]) 1: LSB first, MSB last (ex. Ro[0], Ro[1] ~ Ro[7])
3:1	IRTX_MODE	IR output protocol 3'd0: pulse-width coded protocol 3'd1: RC5 protocol 3'd2: RC6 protocol 3'd3: software mode 3'd4: software pulse-width mode
0	IRTX_STRT	IR trigger bit 0: IR code transfer completed 1: Start to transfer IR code When IRTX output protocol is set to software mode, this bit is set as 0 to terminate IR transmission.

83060004 IRTXD0 IRTX TRANSMISSION DATA 0 REGISTER 00000000

Bit	31	30	29	28	27	26	25	24	23	22	21	20	19	18	17	16
Name	IRTX_R3								IRTX_R2							

Type	RW								RW							
Reset	0	0	0	0	0	0	0	0	0	0	0	0	0	0	0	0
Bit	15	14	13	12	11	10	9	8	7	6	5	4	3	2	1	0
Name	IRTX_R1								IRTX_R0							
Type	RW								RW							
Reset	0	0	0	0	0	0	0	0	0	0	0	0	0	0	0	0

Bit(s)	Name	Description
31:24	IRTX_R3	IRTX byte 3
23:16	IRTX_R2	IRTX byte 2
15:8	IRTX_R1	IRTX byte 1
7:0	IRTX_R0	IRTX byte 0

83060008 IRTXD1

IRTX TRANSMISSION DATA 1 REGISTER

00000000

Bit	31	30	29	28	27	26	25	24	23	22	21	20	19	18	17	16
Name	IRTX_R7								IRTX_R6							
Type	RW								RW							
Reset	0	0	0	0	0	0	0	0	0	0	0	0	0	0	0	0
Bit	15	14	13	12	11	10	9	8	7	6	5	4	3	2	1	0
Name	IRTX_R5								IRTX_R4							
Type	RW								RW							
Reset	0	0	0	0	0	0	0	0	0	0	0	0	0	0	0	0

Bit(s)	Name	Description
31:24	IRTX_R7	IRTX byte 7
23:16	IRTX_R6	IRTX byte 6
15:8	IRTX_R5	IRTX byte 5
7:0	IRTX_R4	IRTX byte 4

8306000C IRTXD2

IRTX TRANSMISSION DATA 2 REGISTER

00000000

Bit	31	30	29	28	27	26	25	24	23	22	21	20	19	18	17	16
Name	IRTX_R11								IRTX_R10							
Type	RW								RW							
Reset	0	0	0	0	0	0	0	0	0	0	0	0	0	0	0	0
Bit	15	14	13	12	11	10	9	8	7	6	5	4	3	2	1	0
Name	IRTX_R9								IRTX_R8							
Type	RW								RW							
Reset	0	0	0	0	0	0	0	0	0	0	0	0	0	0	0	0

83060018 IRTX_L1H
IRTX LOGIC 1 HIGH PERIOD REGISTER
00000000

Bit	31	30	29	28	27	26	25	24	23	22	21	20	19	18	17	16
Name	IRTX_L1H															
Type	RW															
Reset									0	0	0	0	0	0	0	0
Bit	15	14	13	12	11	10	9	8	7	6	5	4	3	2	1	0
Name	IRTX_L1H															
Type	RW															
Reset	0	0	0	0	0	0	0	0	0	0	0	0	0	0	0	0

Bit(s)	Name	Description
23:0	IRTX_L1H	Logic 1 pulse high period The period is equal to L1H/2MHz.

8306001C IRTX_L1L
IRTX LOGIC 1 LOW PERIOD REGISTER
00000000

Bit	31	30	29	28	27	26	25	24	23	22	21	20	19	18	17	16
Name	IRTX_L1L															
Type	RW															
Reset									0	0	0	0	0	0	0	0
Bit	15	14	13	12	11	10	9	8	7	6	5	4	3	2	1	0
Name	IRTX_L1L															
Type	RW															
Reset	0	0	0	0	0	0	0	0	0	0	0	0	0	0	0	0

Bit(s)	Name	Description
23:0	IRTX_L1L	Logic 1 pulse low period The period is equal to L1L/2MHz.

83060020 IRTXSYNCH
IRTX SYNC HIGH PERIOD REGISTER
00000000

Bit	31	30	29	28	27	26	25	24	23	22	21	20	19	18	17	16
Name	IRTX_SYNC															
Type	RW															
Reset									0	0	0	0	0	0	0	0

Bit	15	14	13	12	11	10	9	8	7	6	5	4	3	2	1	0
Name	IRTX_SYNCH															
Type	RW															
Reset	0	0	0	0	0	0	0	0	0	0	0	0	0	0	0	0

Bit(s)	Name	Description
23:0	IRTX_SYNCH	SYNCH leading pulse high period The period is equal to SYNCH/2MHz. SYNCH will be ignored if RC5/RC6 protocol is adopted.

83060024 IRTXSYNCL IRTX SYNC LOW PERIOD REGISTER 00000000

Bit	31	30	29	28	27	26	25	24	23	22	21	20	19	18	17	16
Name									IRTX_SYNCL							
Type									RW							
Reset									0	0	0	0	0	0	0	0
Bit	15	14	13	12	11	10	9	8	7	6	5	4	3	2	1	0
Name	IRTX_SYNCL															
Type	RW															
Reset	0	0	0	0	0	0	0	0	0	0	0	0	0	0	0	0

Bit(s)	Name	Description
23:0	IRTX_SYNCL	SYNCL leading pulse low period The period is equal to SYNCL/2MHz. SYNCL will be ignored if RC5/RC6 protocol is adopted.

83060028 IRTXMT IRTX MODULATION PARAMETER REGISTER 00110033

Bit	31	30	29	28	27	26	25	24	23	22	21	20	19	18	17	16
Name	IRTX_CDT															
Type	RW															
Reset	0	0	0	0	0	0	0	0	0	0	0	1	0	0	0	1
Bit	15	14	13	12	11	10	9	8	7	6	5	4	3	2	1	0
Name	IRTX_CWT															
Type	RW															
Reset	0	0	0	0	0	0	0	0	0	0	1	1	0	0	1	1

Bit(s)	Name	Description
--------	------	-------------

Bit(s)	Name	Description
31:16	IRTX_CDT	Carrier waveform duty time Duty cycle = CDT/CWT Default duty cycle = 17/51 = 33%
15:0	IRTX_CWT	Carrier waveform period

8306002C IRTX_INT_CLR IRTX INTERRUPT CLEAR REGISTER 00000000

Bit	31	30	29	28	27	26	25	24	23	22	21	20	19	18	17	16
Name																
Type																
Reset																
Bit	15	14	13	12	11	10	9	8	7	6	5	4	3	2	1	0
Name																INT_CLR
Type																W1C
Reset																0

Bit(s)	Name	Description
0	INT_CLR	Interrupt Clear

83060030 IRTX_SWM_BP IRTX SOFTWARE MODE BASE PERIOD REGISTER 00000000

Bit	31	30	29	28	27	26	25	24	23	22	21	20	19	18	17	16
Name																
Type																
Reset																
Bit	15	14	13	12	11	10	9	8	7	6	5	4	3	2	1	0
Name									IRTX_SWM_BP							
Type									RW							
Reset									0	0	0	0	0	0	0	0

Bit(s)	Name	Description
7:0	IRTX_SWM_BP	Base Period in Software Pulse-Width Mode Unit: 0.5 us (2 MHz operating clock)

83060034 IRTX_SWM_PW0 IRTX SOFTWARE MODE PULSE 00000000

WIDTH REGISTER 0

Bit	31	30	29	28	27	26	25	24	23	22	21	20	19	18	17	16
Name	IRTX_SWM_PW3								IRTX_SWM_PW2							
Type	RW								RW							
Reset	0	0	0	0	0	0	0	0	0	0	0	0	0	0	0	0
Bit	15	14	13	12	11	10	9	8	7	6	5	4	3	2	1	0
Name	IRTX_SWM_PW1								IRTX_SWM_PW0							
Type	RW								RW							
Reset	0	0	0	0	0	0	0	0	0	0	0	0	0	0	0	0

Bit(s)	Name	Description
31:24	IRTX_SWM_PW3	IRTX Pulse-Width in Software Pulse-Width Mode
23:16	IRTX_SWM_PW2	IRTX Pulse-Width in Software Pulse-Width Mode
15:8	IRTX_SWM_PW1	IRTX Pulse-Width in Software Pulse-Width Mode
7:0	IRTX_SWM_PW0	IRTX Pulse-Width in Software Pulse-Width Mode

83060038 IRTX_SWM_PW1 IRTX SOFTWARE MODE PULSE 00000000
WIDTH REGISTER 1

Bit	31	30	29	28	27	26	25	24	23	22	21	20	19	18	17	16
Name	IRTX_SWM_PW7								IRTX_SWM_PW6							
Type	RW								RW							
Reset	0	0	0	0	0	0	0	0	0	0	0	0	0	0	0	0
Bit	15	14	13	12	11	10	9	8	7	6	5	4	3	2	1	0
Name	IRTX_SWM_PW5								IRTX_SWM_PW4							
Type	RW								RW							
Reset	0	0	0	0	0	0	0	0	0	0	0	0	0	0	0	0

Bit(s)	Name	Description
31:24	IRTX_SWM_PW7	IRTX Pulse-Width in Software Pulse-Width Mode
23:16	IRTX_SWM_PW6	IRTX Pulse-Width in Software Pulse-Width Mode
15:8	IRTX_SWM_PW5	IRTX Pulse-Width in Software Pulse-Width Mode
7:0	IRTX_SWM_PW4	IRTX Pulse-Width in Software Pulse-Width Mode

8306003C IRTX_SWM_PW2 IRTX SOFTWARE MODE PULSE 00000000
WIDTH REGISTER 2

Bit	31	30	29	28	27	26	25	24	23	22	21	20	19	18	17	16
Name	IRTX_SWM_PW11								IRTX_SWM_PW10							
Type	RW								RW							
Reset	0	0	0	0	0	0	0	0	0	0	0	0	0	0	0	0

Bit	15	14	13	12	11	10	9	8	7	6	5	4	3	2	1	0
Name	IRTX_SWM_PW9								IRTX_SWM_PW8							
Type	RW								RW							
Reset	0	0	0	0	0	0	0	0	0	0	0	0	0	0	0	0

Bit(s)	Name	Description
31:24	IRTX_SWM_PW11	IRTX Pulse-Width in Software Pulse-Width Mode
23:16	IRTX_SWM_PW10	IRTX Pulse-Width in Software Pulse-Width Mode
15:8	IRTX_SWM_PW9	IRTX Pulse-Width in Software Pulse-Width Mode
7:0	IRTX_SWM_PW8	IRTX Pulse-Width in Software Pulse-Width Mode

83060040 IRTX_SWM_PW3 IRTX SOFTWARE MODE PULSE WIDTH REGISTER 3 00000000

Bit	31	30	29	28	27	26	25	24	23	22	21	20	19	18	17	16
Name	IRTX_SWM_PW15								IRTX_SWM_PW14							
Type	RW								RW							
Reset	0	0	0	0	0	0	0	0	0	0	0	0	0	0	0	0
Bit	15	14	13	12	11	10	9	8	7	6	5	4	3	2	1	0
Name	IRTX_SWM_PW13								IRTX_SWM_PW12							
Type	RW								RW							
Reset	0	0	0	0	0	0	0	0	0	0	0	0	0	0	0	0

Bit(s)	Name	Description
31:24	IRTX_SWM_PW15	IRTX Pulse-Width in Software Pulse-Width Mode
23:16	IRTX_SWM_PW14	IRTX Pulse-Width in Software Pulse-Width Mode
15:8	IRTX_SWM_PW13	IRTX Pulse-Width in Software Pulse-Width Mode
7:0	IRTX_SWM_PW12	IRTX Pulse-Width in Software Pulse-Width Mode

83060044 IRTX_SWM_PW4 IRTX SOFTWARE MODE PULSE WIDTH REGISTER 4 00000000

Bit	31	30	29	28	27	26	25	24	23	22	21	20	19	18	17	16
Name	IRTX_SWM_PW19								IRTX_SWM_PW18							
Type	RW								RW							
Reset	0	0	0	0	0	0	0	0	0	0	0	0	0	0	0	0
Bit	15	14	13	12	11	10	9	8	7	6	5	4	3	2	1	0
Name	IRTX_SWM_PW17								IRTX_SWM_PW16							
Type	RW								RW							
Reset	0	0	0	0	0	0	0	0	0	0	0	0	0	0	0	0

Bit(s)	Name	Description
31:24	IRTX_SWM_PW19	IRTX Pulse-Width in Software Pulse-Width Mode
23:16	IRTX_SWM_PW18	IRTX Pulse-Width in Software Pulse-Width Mode
15:8	IRTX_SWM_PW17	IRTX Pulse-Width in Software Pulse-Width Mode
7:0	IRTX_SWM_PW16	IRTX Pulse-Width in Software Pulse-Width Mode

83060048 IRTX_SWM_PW5 IRTX SOFTWARE MODE PULSE WIDTH REGISTER 5 00000000

Bit	31	30	29	28	27	26	25	24	23	22	21	20	19	18	17	16
Name	IRTX_SWM_PW23								IRTX_SWM_PW22							
Type	RW								RW							
Reset	0	0	0	0	0	0	0	0	0	0	0	0	0	0	0	0
Bit	15	14	13	12	11	10	9	8	7	6	5	4	3	2	1	0
Name	IRTX_SWM_PW21								IRTX_SWM_PW20							
Type	RW								RW							
Reset	0	0	0	0	0	0	0	0	0	0	0	0	0	0	0	0

Bit(s)	Name	Description
31:24	IRTX_SWM_PW23	IRTX Pulse-Width in Software Pulse-Width Mode
23:16	IRTX_SWM_PW22	IRTX Pulse-Width in Software Pulse-Width Mode
15:8	IRTX_SWM_PW21	IRTX Pulse-Width in Software Pulse-Width Mode
7:0	IRTX_SWM_PW20	IRTX Pulse-Width in Software Pulse-Width Mode

8306004C IRTX_SWM_PW6 IRTX SOFTWARE MODE PULSE WIDTH REGISTER 6 00000000

Bit	31	30	29	28	27	26	25	24	23	22	21	20	19	18	17	16
Name	IRTX_SWM_PW27								IRTX_SWM_PW26							
Type	RW								RW							
Reset	0	0	0	0	0	0	0	0	0	0	0	0	0	0	0	0
Bit	15	14	13	12	11	10	9	8	7	6	5	4	3	2	1	0
Name	IRTX_SWM_PW25								IRTX_SWM_PW24							
Type	RW								RW							
Reset	0	0	0	0	0	0	0	0	0	0	0	0	0	0	0	0

Bit(s)	Name	Description
31:24	IRTX_SWM_PW27	IRTX Pulse-Width in Software Pulse-Width Mode
23:16	IRTX_SWM_PW26	IRTX Pulse-Width in Software Pulse-Width Mode
15:8	IRTX_SWM_PW25	IRTX Pulse-Width in Software Pulse-Width Mode
7:0	IRTX_SWM_PW24	IRTX Pulse-Width in Software Pulse-Width Mode

83060050 IRTX_SWM_PW7 IRTX SOFTWARE MODE PULSE WIDTH REGISTER 7 00000000

Bit	31	30	29	28	27	26	25	24	23	22	21	20	19	18	17	16
Name	IRTX_SWM_PW31								IRTX_SWM_PW30							
Type	RW								RW							
Reset	0	0	0	0	0	0	0	0	0	0	0	0	0	0	0	0
Bit	15	14	13	12	11	10	9	8	7	6	5	4	3	2	1	0
Name	IRTX_SWM_PW29								IRTX_SWM_PW28							
Type	RW								RW							
Reset	0	0	0	0	0	0	0	0	0	0	0	0	0	0	0	0

Bit(s)	Name	Description
31:24	IRTX_SWM_PW31	IRTX Pulse-Width in Software Pulse-Width Mode
23:16	IRTX_SWM_PW30	IRTX Pulse-Width in Software Pulse-Width Mode
15:8	IRTX_SWM_PW29	IRTX Pulse-Width in Software Pulse-Width Mode
7:0	IRTX_SWM_PW28	IRTX Pulse-Width in Software Pulse-Width Mode

83060054 IRTX_SWM_PW8 IRTX SOFTWARE MODE PULSE WIDTH REGISTER 8 00000000

Bit	31	30	29	28	27	26	25	24	23	22	21	20	19	18	17	16
Name	IRTX_SWM_PW35								IRTX_SWM_PW34							
Type	RW								RW							
Reset	0	0	0	0	0	0	0	0	0	0	0	0	0	0	0	0
Bit	15	14	13	12	11	10	9	8	7	6	5	4	3	2	1	0
Name	IRTX_SWM_PW33								IRTX_SWM_PW32							
Type	RW								RW							
Reset	0	0	0	0	0	0	0	0	0	0	0	0	0	0	0	0

Bit(s)	Name	Description
31:24	IRTX_SWM_PW35	IRTX Pulse-Width in Software Pulse-Width Mode
23:16	IRTX_SWM_PW34	IRTX Pulse-Width in Software Pulse-Width Mode
15:8	IRTX_SWM_PW33	IRTX Pulse-Width in Software Pulse-Width Mode
7:0	IRTX_SWM_PW32	IRTX Pulse-Width in Software Pulse-Width Mode

83060058 IRTX_SWM_PW9 IRTX SOFTWARE MODE PULSE WIDTH REGISTER 9 00000000

Bit	31	30	29	28	27	26	25	24	23	22	21	20	19	18	17	16
Name	IRTX_SWM_PW39								IRTX_SWM_PW38							
Type	RW								RW							
Reset	0	0	0	0	0	0	0	0	0	0	0	0	0	0	0	0

Bit	15	14	13	12	11	10	9	8	7	6	5	4	3	2	1	0
Name	IRTX_SWM_PW37								IRTX_SWM_PW36							
Type	RW								RW							
Reset	0	0	0	0	0	0	0	0	0	0	0	0	0	0	0	0

Bit(s)	Name	Description
31:24	IRTX_SWM_PW39	IRTX Pulse-Width in Software Pulse-Width Mode
23:16	IRTX_SWM_PW38	IRTX Pulse-Width in Software Pulse-Width Mode
15:8	IRTX_SWM_PW37	IRTX Pulse-Width in Software Pulse-Width Mode
7:0	IRTX_SWM_PW36	IRTX Pulse-Width in Software Pulse-Width Mode

8306005C IRTX_SWM_PW10 IRTX SOFTWARE MODE PULSE WIDTH REGISTER 10 00000000

Bit	31	30	29	28	27	26	25	24	23	22	21	20	19	18	17	16
Name	IRTX_SWM_PW43								IRTX_SWM_PW42							
Type	RW								RW							
Reset	0	0	0	0	0	0	0	0	0	0	0	0	0	0	0	0
Bit	15	14	13	12	11	10	9	8	7	6	5	4	3	2	1	0
Name	IRTX_SWM_PW41								IRTX_SWM_PW40							
Type	RW								RW							
Reset	0	0	0	0	0	0	0	0	0	0	0	0	0	0	0	0

Bit(s)	Name	Description
31:24	IRTX_SWM_PW43	IRTX Pulse-Width in Software Pulse-Width Mode
23:16	IRTX_SWM_PW42	IRTX Pulse-Width in Software Pulse-Width Mode
15:8	IRTX_SWM_PW41	IRTX Pulse-Width in Software Pulse-Width Mode
7:0	IRTX_SWM_PW40	IRTX Pulse-Width in Software Pulse-Width Mode

83060060 IRTX_SWM_PW11 IRTX SOFTWARE MODE PULSE WIDTH REGISTER 11 00000000

Bit	31	30	29	28	27	26	25	24	23	22	21	20	19	18	17	16
Name	IRTX_SWM_PW47								IRTX_SWM_PW46							
Type	RW								RW							
Reset	0	0	0	0	0	0	0	0	0	0	0	0	0	0	0	0
Bit	15	14	13	12	11	10	9	8	7	6	5	4	3	2	1	0
Name	IRTX_SWM_PW45								IRTX_SWM_PW44							
Type	RW								RW							
Reset	0	0	0	0	0	0	0	0	0	0	0	0	0	0	0	0

Bit(s)	Name	Description
31:24	IRTX_SWM_PW47	IRTX Pulse-Width in Software Pulse-Width Mode
23:16	IRTX_SWM_PW46	IRTX Pulse-Width in Software Pulse-Width Mode
15:8	IRTX_SWM_PW45	IRTX Pulse-Width in Software Pulse-Width Mode
7:0	IRTX_SWM_PW44	IRTX Pulse-Width in Software Pulse-Width Mode

83060064 IRTX_SWM_PW12 IRTX SOFTWARE MODE PULSE WIDTH REGISTER 12 00000000

Bit	31	30	29	28	27	26	25	24	23	22	21	20	19	18	17	16
Name	IRTX_SWM_PW51								IRTX_SWM_PW50							
Type	RW								RW							
Reset	0	0	0	0	0	0	0	0	0	0	0	0	0	0	0	0
Bit	15	14	13	12	11	10	9	8	7	6	5	4	3	2	1	0
Name	IRTX_SWM_PW49								IRTX_SWM_PW48							
Type	RW								RW							
Reset	0	0	0	0	0	0	0	0	0	0	0	0	0	0	0	0

Bit(s)	Name	Description
31:24	IRTX_SWM_PW51	IRTX Pulse-Width in Software Pulse-Width Mode
23:16	IRTX_SWM_PW50	IRTX Pulse-Width in Software Pulse-Width Mode
15:8	IRTX_SWM_PW49	IRTX Pulse-Width in Software Pulse-Width Mode
7:0	IRTX_SWM_PW48	IRTX Pulse-Width in Software Pulse-Width Mode

83060068 IRTX_SWM_PW13 IRTX SOFTWARE MODE PULSE WIDTH REGISTER 13 00000000

Bit	31	30	29	28	27	26	25	24	23	22	21	20	19	18	17	16
Name	IRTX_SWM_PW55								IRTX_SWM_PW54							
Type	RW								RW							
Reset	0	0	0	0	0	0	0	0	0	0	0	0	0	0	0	0
Bit	15	14	13	12	11	10	9	8	7	6	5	4	3	2	1	0
Name	IRTX_SWM_PW53								IRTX_SWM_PW52							
Type	RW								RW							
Reset	0	0	0	0	0	0	0	0	0	0	0	0	0	0	0	0

Bit(s)	Name	Description
31:24	IRTX_SWM_PW55	IRTX Pulse-Width in Software Pulse-Width Mode
23:16	IRTX_SWM_PW54	IRTX Pulse-Width in Software Pulse-Width Mode
15:8	IRTX_SWM_PW53	IRTX Pulse-Width in Software Pulse-Width Mode
7:0	IRTX_SWM_PW52	IRTX Pulse-Width in Software Pulse-Width Mode

8306006C IRTX_SWM_PW14 IRTX SOFTWARE MODE PULSE WIDTH REGISTER 14 00000000

Bit	31	30	29	28	27	26	25	24	23	22	21	20	19	18	17	16
Name	IRTX_SWM_PW59								IRTX_SWM_PW58							
Type	RW								RW							
Reset	0	0	0	0	0	0	0	0	0	0	0	0	0	0	0	0
Bit	15	14	13	12	11	10	9	8	7	6	5	4	3	2	1	0
Name	IRTX_SWM_PW57								IRTX_SWM_PW56							
Type	RW								RW							
Reset	0	0	0	0	0	0	0	0	0	0	0	0	0	0	0	0

Bit(s)	Name	Description
31:24	IRTX_SWM_PW59	IRTX Pulse-Width in Software Pulse-Width Mode
23:16	IRTX_SWM_PW58	IRTX Pulse-Width in Software Pulse-Width Mode
15:8	IRTX_SWM_PW57	IRTX Pulse-Width in Software Pulse-Width Mode
7:0	IRTX_SWM_PW56	IRTX Pulse-Width in Software Pulse-Width Mode

83060070 IRTX_SWM_PW15 IRTX SOFTWARE MODE PULSE WIDTH REGISTER 15 00000000

Bit	31	30	29	28	27	26	25	24	23	22	21	20	19	18	17	16
Name	IRTX_SWM_PW63								IRTX_SWM_PW62							
Type	RW								RW							
Reset	0	0	0	0	0	0	0	0	0	0	0	0	0	0	0	0
Bit	15	14	13	12	11	10	9	8	7	6	5	4	3	2	1	0
Name	IRTX_SWM_PW61								IRTX_SWM_PW60							
Type	RW								RW							
Reset	0	0	0	0	0	0	0	0	0	0	0	0	0	0	0	0

Bit(s)	Name	Description
31:24	IRTX_SWM_PW63	IRTX Pulse-Width in Software Pulse-Width Mode
23:16	IRTX_SWM_PW62	IRTX Pulse-Width in Software Pulse-Width Mode
15:8	IRTX_SWM_PW61	IRTX Pulse-Width in Software Pulse-Width Mode
7:0	IRTX_SWM_PW60	IRTX Pulse-Width in Software Pulse-Width Mode

83060074 IRTX_SWM_PW16 IRTX SOFTWARE MODE PULSE WIDTH REGISTER 16 00000000

Bit	31	30	29	28	27	26	25	24	23	22	21	20	19	18	17	16
Name	IRTX_SWM_PW67								IRTX_SWM_PW66							

Type	RW								RW							
Reset	0	0	0	0	0	0	0	0	0	0	0	0	0	0	0	0
Bit	15	14	13	12	11	10	9	8	7	6	5	4	3	2	1	0
Name	IRTX_SWM_PW65								IRTX_SWM_PW64							
Type	RW								RW							
Reset	0	0	0	0	0	0	0	0	0	0	0	0	0	0	0	0

Bit(s)	Name	Description
31:24	IRTX_SWM_PW67	IRTX Pulse-Width in Software Pulse-Width Mode
23:16	IRTX_SWM_PW66	IRTX Pulse-Width in Software Pulse-Width Mode
15:8	IRTX_SWM_PW65	IRTX Pulse-Width in Software Pulse-Width Mode
7:0	IRTX_SWM_PW64	IRTX Pulse-Width in Software Pulse-Width Mode

2.6 Radio MCU Subsystem

2.6.1 CPU

MT76X7 features 32-bit CPU N9, with the following features:

- 5-stage pipeline with extensive clock-gating
- Dynamic branch prediction with BTB
- 16/32-bit mixed instruction format
- Multiply-accumulate and multiply-subtract instructions
- Instructions optimized for audio applications
- Instruction and data local memory
- JTAG based debug interface
- Programmable data endian control

2.6.2 RAM/ROM

The Radio MCU subsystem features ILM (Instruction Local Memory), DLM (Data Local Memory), and the SYSRAM. The ROM code is in ILM.

2.6.3 Memory map

The table below describes how the peripherals are mapped to the memory space in Radio MCU subsystem.

When the MCU performs a read transaction to an undefined address, the bus returns 0. When the MCU performs a write transaction to an undefined address, the bus regards it as an invalid transaction and does nothing.

Table 2-58. N9 Memory Map

Start address	End address	Function	Description
0x0000_0000	0x000C_FFFF	ILM ROM	Instruction local memory ROM for N9

Start address	End address	Function	Description
0x000D_0000	0x0011_FFFF	ILM RAM	Instruction local memory RAM for N9
0x0200_0000	0x0200_021C	Patch & CR	N9 ROM patch engine
0x0209_0000	0x020C_1FFF	DLM RAM	Data local memory for N9
0x0040_0000	0x0040_CFFF	SYSRAM N9	System RAM for N9
0x2000_0000	0x2003_FFFF	SYSRAM CM4	System RAM for CM4 (256KB)
0x2100_0000	0x2100_FFFF	SPI-S	SPI slave
0x2200_0000	0x2200_FFFF	I2S/Audio	I2S
0x2400_0000	0x2400_FFFF	(Reserved)	
0x3000_0000	0x3FFF_FFFF	Serial Flash CM4	Serial flash controller of CM4
0x5000_0000	0x501F_FFFF	HIF_device	Host interface device controller
0x5020_0000	0x502F_FFFF	HIF_host_CM4	Host interface host controller of Wi-Fi radio
0x6000_0000	0x6FFF_FFFF	WIFISYS	Wi-Fi subsystem
0x7000_0000	0x70FF_FFFF	PDA DMA port	Patch Decryption Accelerator DMA slave
0x7800_0000	0x7800_0000	VFF access port0	Virtual FIFO access port 0 of N9 DMA
0x7800_0100	0x7800_0100	VFF access port1	Virtual FIFO access port 1 of N9 DMA
0x7900_0000	0x7900_FFFF	VFF_CM4 access port	Virtual FIFO access ports of CM4 DMA
0x8000_0000	0x800C_FFFF	APB0	APB bridge 0 (synchronous to N9)
0x8000_0000	0x8000_FFFF	CONFG	N9 subsystem configuration
0x8001_0000	0x8001_FFFF	DMA	Generic DMA engine for N9
0x8002_0000	0x8002_FFFF	TOP_CFG_OFF	TOP_OFF(N9) power domain chip level configuration (GPIO, PINMUX, RF, PLL, CLK control)
0x8003_0000	0x8003_FFFF	UART/BTIF	UART or Bluetooth host interface for N9
0x8005_0000	0x8005_FFFF	UART_PTA	Inter-chip communication for PTA
0x8008_0000	0x8008_FFFF	AHB_MON	AHB bus monitor
0x8009_0000	0x8009_FFFF	ACCLR	Bluetooth audio Packet Loss Concealment accelerator
0x800A_0000	0x800A_FFFF	UART_DSN	UART for N9 debug
0x800B_0000	0x800B_FFFF	SEC	Security boot configuration
0x800C_0000	0x800C_FFFF	HIF	Host interface configuration
0x8100_0000	0x810C_FFFF	APB1	APB bridge 1 (synchronous to N9)
0x8100_0000	0x8100_FFFF	BTSYS	Bluetooth subsystem

Start address	End address	Function	Description
0x8102_0000	0x8102_FFFF	TOP_CFG_AON	TOP_AON power domain chip level configuration (RGU, PINMUX, PMU, XTAL, CLK control)
0x8103_0000	0x8103_FFFF	DBG_CIRQ	Debug interrupt controller for N9
0x8104_0000	0x8104_FFFF	CIRQ	Interrupt controller for N9
0x8105_8000	0x8105_FFFF	GPT	General Purpose Timer for N9
0x8106_0000	0x8106_FFFF	PTA	Packet Traffic Arbitrator for Wi-Fi/Bluetooth coexistence
0x8107_0000	0x8107_FFFF	EFUSE	Efuse controller
0x8108_0000	0x8108_FFFF	WDT	Watchdog Timer for N9
0x8109_0000	0x8109_FFFF	PDA	Patch Decryption Accelerator
0x810A_0000	0x810A_FFFF	RDD	Wi-Fi debug
0x810B_0000	0x810B_FFFF	BTSBC	Bluetooth SBC accelerator
0x810C_0000	0x810C_FFFF	RBIST	RF BIST configuration
0x8300_0000	0x810C_FFFF	APB2	APB bridge 1 (synchronous to CM4)
0x8300_0000	0x8300_FFFF	CONFIG_CM4	System configuration for CM4
0x8301_0000	0x8301_FFFF	DMA_CM4	Generic DMA engine for CM4
0x8302_0000	0x8302_FFFF	UART_DSN	UART for CM4 debug
0x8303_0000	0x8303_FFFF	UART1	UART 1 for CM4
0x8304_0000	0x8304_FFFF	UART2	UART 2 for CM4
0x8305_0000	0x8305_FFFF	GPT_CM4	General Purpose Timer for CM4
0x8306_0000	0x8306_FFFF	IrDA	IrDA
0x8307_0000	0x8307_FFFF	Serial flash	Serial flash macro access
0x8308_0000	0x8308_FFFF	WDT_CM4	Watchdog Timer for CM4
0x8309_0000	0x8309_FFFF	I2C_1	I2C 1
0x830A_0000	0x830A_FFFF	I2C_2	I2C 2
0x830B_0000	0x830B_FFFF	I2S	I2S configuration
0x830D_0000	0x830D_FFFF	AUXADC	Auxiliary ADC configuration
0x830E_0000	0x830E_FFFF	BTIF	Host Interface for Bluetooth radio
0x830F_0000	0x830F_FFFF	Crypto	Crypto engine
0xA000_0000	0xAFFF_FFFF	PSE	Packet switch engine memory

2.6.4 N9 Bus Fabric

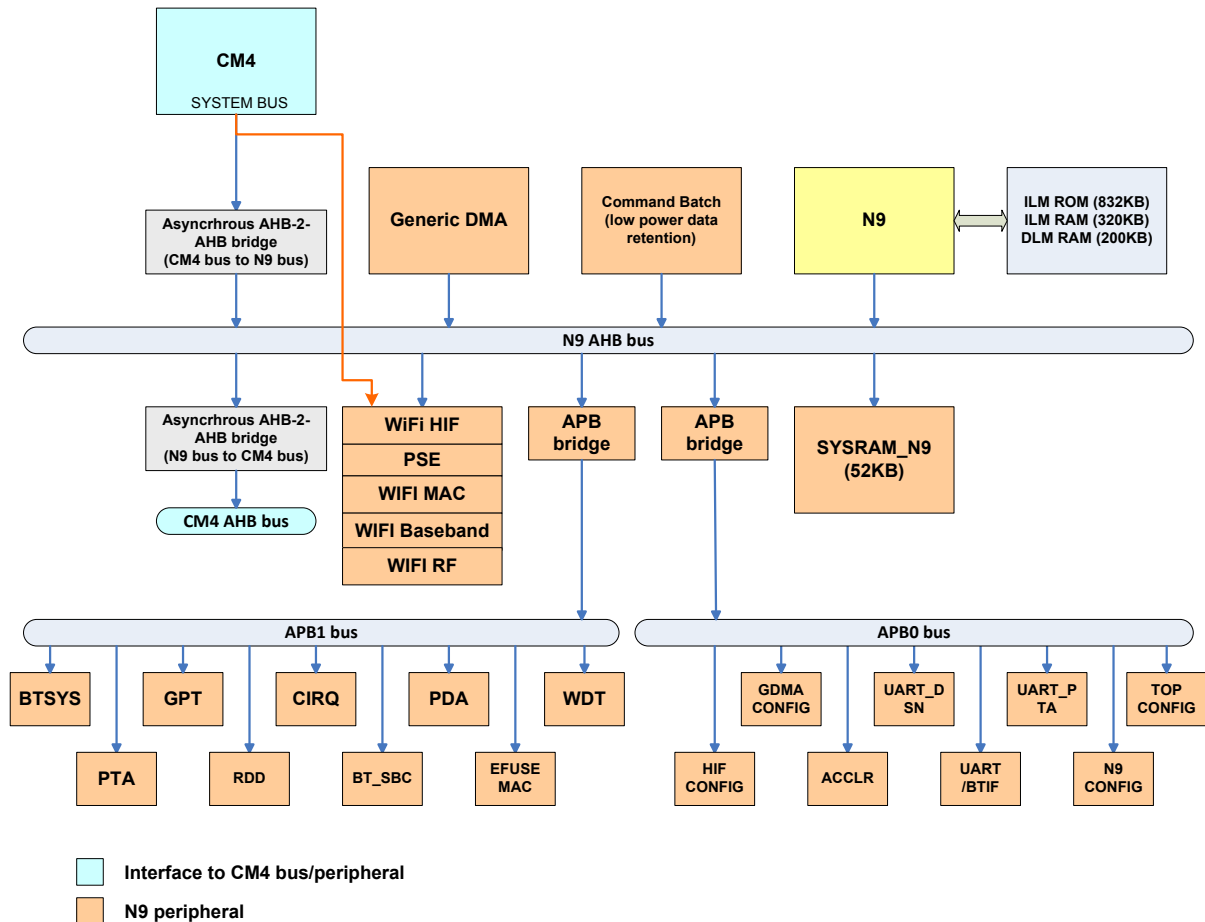


Figure 2-74. N9 Bus Fabric

Functional description:

- Command batch: Used to save/restore the critical CR and memory data when entering and leaving the low power mode.
- Wi-Fi HIF: The host control and data interface from N9 to Wi-Fi subsystem.
- Wi-Fi PSE: The Packet switch engine used to transfer packet from N9 to Wi-Fi MAC/Radio or from CM4 to Wi-Fi MAC/Radio, and vice versa.
- PDA: Packet Decryption Agent, used to download firmware and decipher the firmware which is encrypted to avoid eavesdrop.
- PTA: Packet Traffic Arbitration, used to do the traffic arbitration of Wi-Fi and Bluetooth when the two radios are transmitting and receiving at the same time.
- RDD: The Wi-Fi debug function.
- BT_SBC: The hardware accelerating engine for Bluetooth audio codec.
- EFUSE: The Efuse macro used for the configuration of Wi-Fi/Bluetooth MAC and Radio.
- ACCLR: The hardware accelerating engine for Bluetooth Packet Loss Concealment.

2.6.5 CIRQ

2.6.5.1 General Description

N9 subsystem uses the interrupt controller CIRQ to control the source selection, mask, edge/level sensitivity, and software enabling for internal interrupts, as well as the mask and the edge/level sensitivity for external interrupts.

CIRQ also integrates the de-bounce circuit for external interrupts.

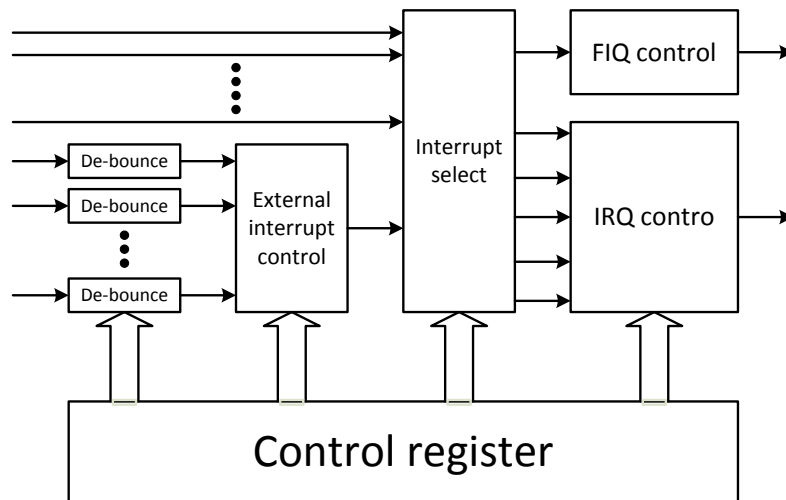


Figure 2-75. N9 interrupt controller

2.6.5.2 Function

Figure 2-76 presents the major functionality of the MCU Interrupt Controller. The interrupt controller processes all interrupt sources coming from external lines and internal MCU peripherals. This controller generates two request signals: FIQ for fast, low latency interrupt request and IRQ for more general interrupts with lower priority. FIQ connects to N903s input port int_req[0] with highest priority, which IRQ connects to int_req[1].

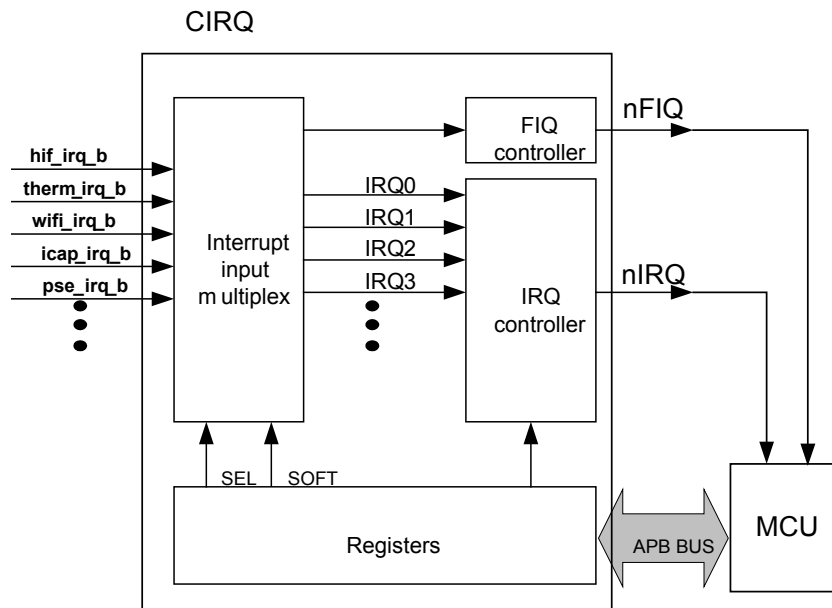


Figure 2-76 Interrupt Controller Block Diagram

One and only one of the interrupt sources can be assigned to FIQ Controller and have the highest priority in requesting timing critical service. All the others share the same IRQ signal by connecting them to IRQ Controller. The IRQ Controller manages up to 18 interrupt lines of IRQ0 to IRQ11 with fixed priority in descending order.

The interrupt controller provides a simple software interface by means of registers to manipulate the interrupt request shared system. IRQ Selection Registers and FIQ Selection Register determine the source priority and connecting relation among sources and interrupt lines. IRQ Source Status Register allows software program to identify the source of interrupt that generates the interrupt request. IRQ Mask Register provides software to mask out undesired sources some time. End of Interrupt Register permits software program to indicate to the controller that a certain interrupt service routine has been finished.

Binary coded version of IRQ Source Status Register is also made available for software program to helpfully identify the interrupt source. While taking advantage of this feature, it should also take the binary coded version of End of Interrupt Register coincidentally.

2.6.5.3 Interrupt sources

The tables below list the interrupt sources of internal and external interrupts.

There are totally 23 interrupts and 14 external interrupts.

The power domain/subsystem lists the power domain and the subsystem from which the interrupt is generated.

IRQ No.	Interrupt source	Power domain /subsystem	External interrupt	Wake-up capability (1)	De-bounce	Description
INT0	UART	TOP_OFF(N9)/MCUSYS				UART/BTIF module
INT1	DMA	TOP_OFF(N9)/MCUSYS				Generic DMA in N9 subsystem
INT2	HIFSYS	TOP_AON/HIF				WIFI_HIF(SDIO)
INT3	BT_TIMCON	TOP_AON/BTSYS				Bluetooth TIMCON module
INT4	THERM	TOP_OFF(N9)				Thermometer
INT5	(Reserved)					
INT6	WIFI	WF_OFF				Wi-Fi subsystem
INT7	ICAP	TOP_OFF(N9)/MCUSYS				Internal capture in RBIST module
INT8	EINT	TOP_AON/MCUSYS				External interrupt
INT9	(Reserved)					
INT10	WDT_N9	TOP_AON/MCUSYS				Watch dog timer in N9 subsystem
INT11	AHB_MONITOR	TOP_OFF(N9)/MCUSYS				AHB monitor
INT12	(Reserved)					
INT13	PLC_ACCLR	TOP_OFF(N9)/MCUSYS				Packet Loss Concealment accelerator
INT14	(Reserved)					
INT15	PSE	WF_OFF/PSE				Packet switch engine
INT16	MSBC	TOP_OFF(N9)/MCUSYS				Bluetooth SBC CODEC accelerator
INT17	HIFSYS	TOP_OFF(N9)/HIFSYS				HIF subsystem
INT18	UART_PTA *	TOP_OFF(N9)/MCUSYS				UART_PTA module
INT19	PTA *	TOP_OFF(N9)/MCUSYS				PTA module
INT20	CMBT	TOP_OFF(N9)				Command batch module
INT21	GPT3	TOP_AON/MCUSYS				General purpose timer module
INT22	WDT_CM4	TOP_AON/MCUSYS_C M4				CM4 WDT interrupt N9
EINT0	UART_RX	TOP_AON	V	V	Available	Wake up from UART
EINT1	(Reserved)		V	V	Available	
EINT2	HIFSYS	TOP_AON/HIF	V	V	Available	WIFI_HIF (SDIO)
EINT3	CM4_TO_N9_SW	TOP_AON/MCUSYS_C M4	V	V	Available	CM4 SW interrupt N9 83080080[31:30] SW_INT
EINT4	Bluetooth	TOP_AON/BTSYS	V	V	Available	Wake up from Bluetooth
EINT5	PCIE *	TOP_OFF(N9)/HIFSYS	V	V	Available	Wake up from PCIe
EINT6	GPT	TOP_AON/MCUSYS	V	V	Available	General purpose timer module (GPT0 timer and GPT1 timer)
EINT7	External interrupt	TOP_AON	V	V	Available	External interrupt Pin: GPIO58
EINT8	External interrupt	TOP_AON	V	V	Available	External interrupt Pin: GPIO57
EINT9	External interrupt	TOP_AON	V	V	Available	External interrupt Pin: GPIO30
EINT10	(Reserved)		V	V	Available	
EINT11	External interrupt	TOP_AON	V	V	Available	External interrupt Pin: GPIO38

IRQ No.	Interrupt source	Power domain /subsystem	External interrupt	Wake-up capability (1)	De-bounce	Description
EINT12	External interrupt	TOP_AON	V	V	Available	External interrupt Pin: GPIO39
EINT13	CM4_TO_N9_B TIF_WAKEUP	TOP_AON	V	V	Available	CM4 to N9 BTIF wake-up 830E0064[0] BTIF_WAK

*: Not used for MT7697D

Note 1; Capable to wake up N9 when N9 is in sleep mode.

2.6.5.4 Interrupt Source Masking

The Interrupt Controller provides the function of Interrupt Source Masking by the way of programming MASK register. Any of them can be masked individually.

However, because of the bus latency, the masking takes effect no earlier than three clock cycles later. In this time, the to-be-masked interrupts could come in and generate an IRQ pulse to MCU, and then disappear immediately. This IRQ forces MCU going to Interrupt Service Routine and polling Status Register (IRQ_STA2), but the register shows there is no interrupt. This might cause MCU malfunction.

There are two ways for programmers to protect their software.

1. Return from ISR (Interrupt Service Routine) immediately while the Status register shows no interrupt.
2. Set I bit of MCU before doing Interrupt Masking, and then clear it after Interrupt Masking done.

Both avoid the problem, but the first item is recommended in the ISR.

2.6.5.5 External Interrupt

This interrupt controller also integrates an External Interrupt Controller that can support up to 11 interrupt requests coming from external sources, the EINT0~A, WakeUp interrupt requests.

The external interrupts can be used for different kind of applications, mainly for event detections: detection of hand free connection, detection of hood opening, detection of battery charger connection.

Since the external event may be unstable in a certain period, a de-bounce mechanism is introduced to ensure the functionality. The circuitry is mainly used to verify that the input signal remains stable for a programmable number of periods of the clock. When this condition is satisfied, for the appearance or the disappearance of the input, the output of the de-bounce logic changes to the desired state. Note that, because it uses the 32768Hz slow clock for performing the de-bounce process, the parameter of de-bounce period and de-bounce enable takes effect no sooner than one 32768Hz clock cycle (~30.52us) after the software program sets them. When the sources of External Interrupt Controller are used to resume the system clock in sleep mode, the de-bounce mechanism must be enabled. However, the polarities of EINTs are clocked with the system clock. Any changes to them take effect immediately.

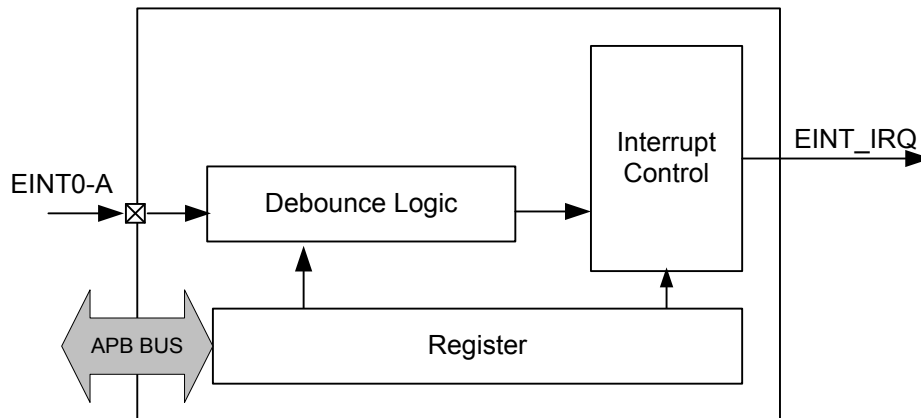


Figure 2-77. External Interrupt Controller Block Diagram

If you have to change the debounce setting of some EINT, please follow the steps:

1. mask the EINT which you want to change the debounce setting
2. disable debounce (EN=0)
3. delay at least 5 32K cycles
4. Enable the debounce (EN=1) and change the debounce setting
5. unmask the EINT

2.6.5.6 Programming Guide

The interrupt sources are listed as the following table.

Table 2-59. Internal Interrupt Source

	SUBSYS	Source Pin	Description / Note
INT0	MCUSYS_OFF	uart0_irq_b	from uart0 or btif module
INT1	MCUSYS_OFF	dma_irq_b	from dma module
INT2	HIFSYS_AON / OFF	hif_irq_b_wrapper	HIF_AON SDIO or HIF_OFF USB
INT3	BTSYS_AON	bt_timcon_irq_b	
INT4	TOP_OFF	therm_irq_b	from u_top_therm_ctl module
INT5			NA
INT6	WF_OFF	wifi_irq_b	from u_wifi_on_top module
INT7	MCUSYS_OFF	icap_irq_b	from u_rbist_top module
INT8	MCUSYS_AON	eint_irq_b	EINT interrupt
INT9			NA
INT10	MCUSYS_AON	wdt_irq_b[0]	N9 wdt interrupt mode
INT11	MCUSYS_OFF	ahb_mon_irq_b	from mdahbmon_top module

	SUBSYS	Source Pin	Description / Note
INT12			NA
INT13	MCUSYS_OFF	plc_acclr_irq_b	from acclr module
INT14	TOP_OFF	adc_irq_b	from u_top_sadc_ctl
INT15	WF_PSE_OFF	pse_irq_b	
INT16	MCUSYS_OFF	msbc_irq_b	from bt_sbc module
INT17	HIFSYS_OFF	client_irq_b	
INT18	MCUSYS_OFF	uart_pta_irq_b	from uart_pta module
INT19	MCUSYS_OFF	lte_chg_frm_int	from pta module
INT20	TOP_OFF	cmbt_irq_b	from u_top_cmdbt module
INT21	MCUSYS_AON	gpt3_irq_b	N9 gpt3 timer timeout
INT22	MCUSYS_CM4_AON	cm4_n9_wdt_irq_b	CM4 reset self and interrupt N9

Table 2-60. External Interrupt Source

	SUBSYS	Source Pin	Note
EINT0	PAD_UART_RX		
EINT1			NA
EINT2	HIFSYS_AON / OFF	hif_mcu_int_b	HIF_AON SDIO or HIF_OFF USB
EINT3	MCUSYS_CM4_AON	cm4_n9_sw_irq_b	CM4 software interrupt N9
EINT4	BTSYS_AON	bt_ext_irq	
EINT5	HIFSYS_OFF	hifsys_pcie_int_b	pcie_wake
EINT6	MCUSYS_AON	gpt_int_b	N9 gpt0 timer or gpt1 timer interrupt
EINT7	PAD_BT_RF_DIS_B	host_eint_b[0]	
EINT8	PAD_WF_RF_DIS_B	host_eint_b[1]	
EINT9	PAD_SDIO_DAT2	host_eint_b[2]	
EINT10	TOP_AON	dslp_irq_b	from u_top_cfg_aon
EINT11	PAD_UART_RTS		

	SUBSYS	Source Pin	Note
EINT12	PAD_UART_CTS		
EINT13	MCUSYS_CM4_OFF	cm4ton9_btif_wakeup_irq_b	CM4 btif wakeup N9

2.6.5.7 Register Definitions

Module name: cirq Base address: (+81040000h)

Address	Name	Width	Register Function
81040000	<u>IRQ_SEL0</u>	32	IRQ Selection 0 Register
81040004	<u>IRQ_SEL1</u>	32	IRQ Selection 1 Register
81040008	<u>IRQ_SEL2</u>	32	IRQ Selection 2 Register
8104000C	<u>IRQ_SEL3</u>	32	IRQ Selection 3 Register
81040010	<u>IRQ_SEL4</u>	32	IRQ Selection 4 Register
81040014	<u>IRQ_SEL5</u>	32	IRQ Selection 5 Register
8104006C	<u>FIQ_SEL</u>	32	FIQ Selection Register
81040070	<u>IRQ_MASK</u>	32	IRQ Mask Register
81040080	<u>IRQ_MASK_CLR</u>	32	IRQ Mask Clear Register
81040090	<u>IRQ_MASK_SET</u>	32	IRQ Mask Set Register
810400A0	<u>IRQ_EOI</u>	32	IRQ End of Interrupt Register
810400B0	<u>IRQ_SENS</u>	32	IRQ Sensitive Register
810400C0	<u>IRQ_SOFT</u>	32	IRQ Software Interrupt Register
810400D0	<u>FIQ_CON</u>	32	FIQ Control Register
810400D4	<u>FIQ_EOI</u>	32	FIQ End of Interrupt Register
810400D8	<u>IRQ_STA2</u>	32	Binary Coded Value of IRQ_STATUS
810400DC	<u>IRQ_EOI2</u>	32	Binary Coded Value of IRQ_EOI
810400E0	<u>IRQ_ASTA</u>	32	Binary Value of IRQ Source Status
810400F0	<u>IRQ_EEVT</u>	32	Binary Value of EINT Event
81040100	<u>EINT_STA</u>	32	EINT Status Register
81040104	<u>EINT_MASK</u>	32	EINT Mask Register
81040108	<u>EINT_MASK_CLR</u>	32	EINT Mask Clear Register
8104010C	<u>EINT_MASK_SET</u>	32	EINT Mask Set Register
81040110	<u>EINT_INTACK</u>	32	EINT Interrupt Acknowledge Register
81040114	<u>EINT_SENS</u>	32	EINT Sensitive Register
81040118	<u>EINT_SOFT</u>	32	EINT Software Interrupt Register
81040120	<u>EINT0_CON</u>	32	EINT 0 De-bounce Control Register
81040130	<u>EINT1_CON</u>	32	EINT 1 De-bounce Control Register
81040140	<u>EINT2_CON</u>	32	EINT 2 De-bounce Control Register
81040150	<u>EINT3_CON</u>	32	EINT 3 De-bounce Control Register

Address	Name	Width	Register Function
81040160	<u>EINT4_CON</u>	32	EINT 4 De-bounce Control Register
81040170	<u>EINT5_CON</u>	32	EINT 5 De-bounce Control Register
81040180	<u>EINT6_CON</u>	32	EINT 6 De-bounce Control Register
81040190	<u>EINT7_CON</u>	32	EINT 7 De-bounce Control Register
810401A0	<u>EINT8_CON</u>	32	EINT 8 De-bounce Control Register
810401B0	<u>EINT9_CON</u>	32	EINT 9 De-bounce Control Register
810401C0	<u>EINTA_CON</u>	32	EINT A De-bounce Control Register
810401D0	<u>EINTB_CON</u>	32	EINT A De-bounce Control Register
810401E0	<u>EINTC_CON</u>	32	EINT A De-bounce Control Register
810401F0	<u>EINTD_CON</u>	32	EINT A De-bounce Control Register

81040000 IRQ_SEL0 **IRQ Selection 0 Register** **03020100**

Bit	31	30	29	28	27	26	25	24	23	22	21	20	19	18	17	16	
Name				IRQ3_SEL									IRQ2_SEL				
Type				RW									RW				
Reset				0	0	0	1	1				0	0	0	1	0	
Bit	15	14	13	12	11	10	9	8	7	6	5	4	3	2	1	0	
Name				IRQ1_SEL									IRQ0_SEL				
Type				RW									RW				
Reset				0	0	0	0	1				0	0	0	0	0	

Bit(s)	Name	Description
28:24	IRQ3_SEL	Interrupt source selector 5'h0~5'h17: Please reference to interrupt source table
20:16	IRQ2_SEL	Interrupt source selector 5'h0~5'h17: Please reference to interrupt source table
12:8	IRQ1_SEL	Interrupt source selector 5'h0~5'h17: Please reference to interrupt source table
4:0	IRQ0_SEL	Interrupt source selector 5'h0~5'h17: Please reference to interrupt source table

81040004 IRQ_SEL1 **IRQ Selection 1 Register** **07060504**

Bit	31	30	29	28	27	26	25	24	23	22	21	20	19	18	17	16	
Name				IRQ7_SEL									IRQ6_SEL				
Type				RW									RW				
Reset				0	0	1	1	1				0	0	1	1	0	
Bit	15	14	13	12	11	10	9	8	7	6	5	4	3	2	1	0	
Nam				IRQ5_SEL									IRQ4_SEL				

e																
Type				RW								RW				
Reset				0	0	1	0	1				0	0	1	0	0

Bit(s)	Name	Description
28:24	IRQ7_SEL	Interrupt source selector 5'h0~5'h17: Please reference to interrupt source table
20:16	IRQ6_SEL	Interrupt source selector 5'h0~5'h17: Please reference to interrupt source table
12:8	IRQ5_SEL	Interrupt source selector 5'h0~5'h17: Please reference to interrupt source table
4:0	IRQ4_SEL	Interrupt source selector 5'h0~5'h17: Please reference to interrupt source table

81040008 IRQ_SEL2 **IRQ Selection 2 Register** **oBoA0908**

Bit	31	30	29	28	27	26	25	24	23	22	21	20	19	18	17	16
Name				IRQB_SEL								IRQA_SEL				
Type				RW								RW				
Reset				0	1	0	1	1				0	1	0	1	0
Bit	15	14	13	12	11	10	9	8	7	6	5	4	3	2	1	0
Name				IRQ9_SEL								IRQ8_SEL				
Type				RW								RW				
Reset				0	1	0	0	1				0	1	0	0	0

Bit(s)	Name	Description
28:24	IRQB_SEL	Interrupt source selector 5'h0~5'h17: Please reference to interrupt source table
20:16	IRQA_SEL	Interrupt source selector 5'h0~5'h17: Please reference to interrupt source table
12:8	IRQ9_SEL	Interrupt source selector 5'h0~5'h17: Please reference to interrupt source table
4:0	IRQ8_SEL	Interrupt source selector 5'h0~5'h17: Please reference to interrupt source table

8104000C IRQ_SEL3 **IRQ Selection 3 Register** **oFoEoDoC**

Bit	31	30	29	28	27	26	25	24	23	22	21	20	19	18	17	16
Name				IRQF_SEL								IRQE_SEL				
Type				RW								RW				
Reset				0	1	1	1	1				0	1	1	1	0
Bit	15	14	13	12	11	10	9	8	7	6	5	4	3	2	1	0
Name				IRQD_SEL								IRQC_SEL				

Type				RW								RW				
Reset				0	1	1	0	1				0	1	1	0	0

Bit(s)	Name	Description
28:24	IRQF_SEL	Interrupt source selector 5'h0~5'h17: Please reference to interrupt source table
20:16	IRQE_SEL	Interrupt source selector 5'h0~5'h17: Please reference to interrupt source table
12:8	IRQD_SEL	Interrupt source selector 5'h0~5'h17: Please reference to interrupt source table
4:0	IRQC_SEL	Interrupt source selector 5'h0~5'h17: Please reference to interrupt source table

81040010 IRQ_SEL4 **IRQ Selection 4 Register** **13121110**

Bit	31	30	29	28	27	26	25	24	23	22	21	20	19	18	17	16
Name				IRQ13_SEL								IRQ12_SEL				
Type				RW								RW				
Reset				1	0	0	1	1				1	0	0	1	0
Bit	15	14	13	12	11	10	9	8	7	6	5	4	3	2	1	0
Name				IRQ11_SEL								IRQ10_SEL				
Type				RW								RW				
Reset				1	0	0	0	1				1	0	0	0	0

Bit(s)	Name	Description
28:24	IRQ13_SEL	Interrupt source selector 5'h0~5'h17: Please reference to interrupt source table
20:16	IRQ12_SEL	Interrupt source selector 5'h0~5'h17: Please reference to interrupt source table
12:8	IRQ11_SEL	Interrupt source selector 5'h0~5'h17: Please reference to interrupt source table
4:0	IRQ10_SEL	Interrupt source selector 5'h0~5'h17: Please reference to interrupt source table

81040014 IRQ_SEL5 **IRQ Selection 5 Register** **17161514**

Bit	31	30	29	28	27	26	25	24	23	22	21	20	19	18	17	16
Name				IRQ17_SEL								IRQ16_SEL				
Type				RW								RW				
Reset				1	0	1	1	1				1	0	1	1	0
Bit	15	14	13	12	11	10	9	8	7	6	5	4	3	2	1	0
Name				IRQ15_SEL								IRQ14_SEL				
Type				RW								RW				

Reset				1	0	1	0	1				1	0	1	0	0
--------------	--	--	--	---	---	---	---	---	--	--	--	---	---	---	---	---

Bit(s)	Name	Description
28:24	IRQ17_SEL	Interrupt source selector 5'h0~5'h17: Please reference to interrupt source table
20:16	IRQ16_SEL	Interrupt source selector 5'h0~5'h17: Please reference to interrupt source table
12:8	IRQ15_SEL	Interrupt source selector 5'h0~5'h17: Please reference to interrupt source table
4:0	IRQ14_SEL	Interrupt source selector 5'h0~5'h17: Please reference to interrupt source table

8104006C FIQ_SEL **FIQ Selection Register** **00000000**

Bit	31	30	29	28	27	26	25	24	23	22	21	20	19	18	17	16
Name																
Type																
Reset																
Bit	15	14	13	12	11	10	9	8	7	6	5	4	3	2	1	0
Name												FIQ_SEL				
Type												RW				
Reset												0	0	0	0	0

Bit(s)	Name	Description
4:0	FIQ_SEL	Interrupt source selector 5'h0~5'h17: Please reference to interrupt source table

81040070 IRQ_MASK **IRQ Mask Register** **00FFFFFF**

Bit	31	30	29	28	27	26	25	24	23	22	21	20	19	18	17	16
Name									IR_Q17_M_SK	IR_Q16_M_SK	IR_Q15_M_SK	IR_Q14_M_SK	IR_Q13_M_SK	IR_Q12_M_SK	IR_Q11_M_SK	IR_Q10_MSK
Type									RW	RW	RW	RW	RW	RW	RW	RW
Reset									1	1	1	1	1	1	1	1
Bit	15	14	13	12	11	10	9	8	7	6	5	4	3	2	1	0
Name	IR_QF_M_SK	IR_QE_M_SK	IR_QD_M_SK	IR_QC_M_SK	IR_QB_M_SK	IR_QA_M_SK	IR_Q9_M_SK	IR_Q8_M_SK	IR_Q7_M_SK	IR_Q6_M_SK	IR_Q5_M_SK	IR_Q4_M_SK	IR_Q3_M_SK	IR_Q2_M_SK	IR_Q1_M_SK	IR_Q0_M_SK
Type	RW	RW	RW	RW	RW	RW	RW	RW	RW	RW	RW	RW	RW	RW	RW	RW
Reset	1	1	1	1	1	1	1	1	1	1	1	1	1	1	1	1

Bit(s)	Name	Description
23	IRQ17_MSK	Mask control for the associated interrupt source in the IRQ controller 0: Interrupt is enabled 1: Interrupt is disabled
22	IRQ16_MSK	Mask control for the associated interrupt source in the IRQ controller 0: Interrupt is enabled 1: Interrupt is disabled
21	IRQ15_MSK	Mask control for the associated interrupt source in the IRQ controller 0: Interrupt is enabled 1: Interrupt is disabled
20	IRQ14_MSK	Mask control for the associated interrupt source in the IRQ controller 0: Interrupt is enabled 1: Interrupt is disabled
19	IRQ13_MSK	Mask control for the associated interrupt source in the IRQ controller 0: Interrupt is enabled 1: Interrupt is disabled
18	IRQ12_MSK	Mask control for the associated interrupt source in the IRQ controller 0: Interrupt is enabled 1: Interrupt is disabled
17	IRQ11_MSK	Mask control for the associated interrupt source in the IRQ controller 0: Interrupt is enabled 1: Interrupt is disabled
16	IRQ10_MSK	Mask control for the associated interrupt source in the IRQ controller 0: Interrupt is enabled 1: Interrupt is disabled
15	IRQF_MSK	Mask control for the associated interrupt source in the IRQ controller 0: Interrupt is enabled 1: Interrupt is disabled
14	IRQE_MSK	Mask control for the associated interrupt source in the IRQ controller 0: Interrupt is enabled 1: Interrupt is disabled
13	IRQD_MSK	Mask control for the associated interrupt source in the IRQ controller 0: Interrupt is enabled 1: Interrupt is disabled
12	IRQC_MSK	Mask control for the associated interrupt source in the IRQ controller 0: Interrupt is enabled 1: Interrupt is disabled
11	IRQB_MSK	Mask control for the associated interrupt source in the IRQ controller 0: Interrupt is enabled 1: Interrupt is disabled
10	IRQA_MSK	Mask control for the associated interrupt source in the IRQ controller 0: Interrupt is enabled 1: Interrupt is disabled
9	IRQ9_MSK	Mask control for the associated interrupt source in the IRQ controller 0: Interrupt is enabled 1: Interrupt is disabled

Bit(s)	Name	Description
8	IRQ8_MSK	Mask control for the associated interrupt source in the IRQ controller 0: Interrupt is enabled 1: Interrupt is disabled
7	IRQ7_MSK	Mask control for the associated interrupt source in the IRQ controller 0: Interrupt is enabled 1: Interrupt is disabled
6	IRQ6_MSK	Mask control for the associated interrupt source in the IRQ controller 0: Interrupt is enabled 1: Interrupt is disabled
5	IRQ5_MSK	Mask control for the associated interrupt source in the IRQ controller 0: Interrupt is enabled 1: Interrupt is disabled
4	IRQ4_MSK	Mask control for the associated interrupt source in the IRQ controller 0: Interrupt is enabled 1: Interrupt is disabled
3	IRQ3_MSK	Mask control for the associated interrupt source in the IRQ controller 0: Interrupt is enabled 1: Interrupt is disabled
2	IRQ2_MSK	Mask control for the associated interrupt source in the IRQ controller 0: Interrupt is enabled 1: Interrupt is disabled
1	IRQ1_MSK	Mask control for the associated interrupt source in the IRQ controller 0: Interrupt is enabled 1: Interrupt is disabled
0	IRQ0_MSK	Mask control for the associated interrupt source in the IRQ controller 0: Interrupt is enabled 1: Interrupt is disabled

81040080 IRQ_MASK_CLR IRQ Mask Clear Register 00000000

Bit	31	30	29	28	27	26	25	24	23	22	21	20	19	18	17	16
Name									IR_Q17_M_CLR	IR_Q16_M_CLR	IR_Q15_M_CLR	IR_Q14_M_CLR	IR_Q13_M_CLR	IR_Q12_M_CLR	IR_Q11_M_CLR	IR_Q10_M_CLR
Type									WO	WO	WO	WO	WO	WO	WO	WO
Reset									0	0	0	0	0	0	0	0
Bit	15	14	13	12	11	10	9	8	7	6	5	4	3	2	1	0
Name	IR_QF_M_CLR	IR_QE_M_CLR	IR_QD_M_CLR	IR_QC_M_CLR	IR_QB_M_CLR	IR_QA_M_CLR	IR_Q9_M_CLR	IR_Q8_M_CLR	IR_Q7_M_CLR	IR_Q6_M_CLR	IR_Q5_M_CLR	IR_Q4_M_CLR	IR_Q3_M_CLR	IR_Q2_M_CLR	IR_Q1_M_CLR	IR_Q0_M_CLR
Type	WO	WO	WO	WO	WO	WO	WO	WO	WO	WO	WO	WO	WO	WO	WO	WO
Reset	0	0	0	0	0	0	0	0	0	0	0	0	0	0	0	0

Bit(s)	Name	Description
23	IRQ17_MCLR	Clear corresponding bits in IRQ Mask Register. 0: No effect 1: Disable the corresponding MASK bit
22	IRQ16_MCLR	Clear corresponding bits in IRQ Mask Register. 0: No effect 1: Disable the corresponding MASK bit
21	IRQ15_MCLR	Clear corresponding bits in IRQ Mask Register. 0: No effect 1: Disable the corresponding MASK bit
20	IRQ14_MCLR	Clear corresponding bits in IRQ Mask Register. 0: No effect 1: Disable the corresponding MASK bit
19	IRQ13_MCLR	Clear corresponding bits in IRQ Mask Register. 0: No effect 1: Disable the corresponding MASK bit
18	IRQ12_MCLR	Clear corresponding bits in IRQ Mask Register. 0: No effect 1: Disable the corresponding MASK bit
17	IRQ11_MCLR	Clear corresponding bits in IRQ Mask Register. 0: No effect 1: Disable the corresponding MASK bit
16	IRQ10_MCLR	Clear corresponding bits in IRQ Mask Register. 0: No effect 1: Disable the corresponding MASK bit
15	IRQF_MCLR	Clear corresponding bits in IRQ Mask Register. 0: No effect 1: Disable the corresponding MASK bit
14	IRQE_MCLR	Clear corresponding bits in IRQ Mask Register. 0: No effect 1: Disable the corresponding MASK bit
13	IRQD_MCLR	Clear corresponding bits in IRQ Mask Register. 0: No effect 1: Disable the corresponding MASK bit
12	IRQC_MCLR	Clear corresponding bits in IRQ Mask Register. 0: No effect 1: Disable the corresponding MASK bit
11	IRQB_MCLR	Clear corresponding bits in IRQ Mask Register. 0: No effect 1: Disable the corresponding MASK bit
10	IRQA_MCLR	Clear corresponding bits in IRQ Mask Register. 0: No effect 1: Disable the corresponding MASK bit
9	IRQ9_MCLR	Clear corresponding bits in IRQ Mask Register. 0: No effect 1: Disable the corresponding MASK bit
8	IRQ8_MCLR	Clear corresponding bits in IRQ Mask Register. 0: No effect 1: Disable the corresponding MASK bit
7	IRQ7_MCLR	Clear corresponding bits in IRQ Mask Register. 0: No effect 1: Disable the corresponding MASK bit
6	IRQ6_MCLR	Clear corresponding bits in IRQ Mask Register. 0: No effect 1: Disable the corresponding MASK bit
5	IRQ5_MCLR	Clear corresponding bits in IRQ Mask Register. 0: No effect 1: Disable the corresponding MASK bit
4	IRQ4_MCLR	Clear corresponding bits in IRQ Mask Register. 0: No effect 1: Disable the corresponding MASK bit

Bit(s)	Name	Description
3	IRQ3_MCLR	Clear corresponding bits in IRQ Mask Register. 0: No effect 1: Disable the corresponding MASK bit
2	IRQ2_MCLR	Clear corresponding bits in IRQ Mask Register. 0: No effect 1: Disable the corresponding MASK bit
1	IRQ1_MCLR	Clear corresponding bits in IRQ Mask Register. 0: No effect 1: Disable the corresponding MASK bit
0	IRQ0_MCLR	Clear corresponding bits in IRQ Mask Register. 0: No effect 1: Disable the corresponding MASK bit

81040090 IRQ_MASK_SET **IRQ Mask Set Register** **00000000**

Bit	31	30	29	28	27	26	25	24	23	22	21	20	19	18	17	16
Name									IR Q17 _M _SE _T	IR Q16 _M _SE _T	IR Q15 _M _SE _T	IR Q14 _M _SE _T	IR Q13 _M _SE _T	IR Q12 _M _SE _T	IR Q11 _M _SE _T	IR Q10 _M _SE _T
Type									WO	WO	WO	WO	WO	WO	WO	WO
Reset									0	0	0	0	0	0	0	0
Bit	15	14	13	12	11	10	9	8	7	6	5	4	3	2	1	0
Name	IR QF _M _SE _T	IR QE _M _SE _T	IR QD _M _SE _T	IR QC _M _SE _T	IR QB _M _SE _T	IR QA _M _SE _T	IR Q9 _M _SE _T	IR Q8 _M _SE _T	IR Q7 _M _SE _T	IR Q6 _M _SE _T	IR Q5 _M _SE _T	IR Q4 _M _SE _T	IR Q3 _M _SE _T	IR Q2 _M _SE _T	IR Q1 _M _SE _T	IR Q0 _M _SE _T
Type	WO	WO	WO	WO	WO	WO	WO	WO	WO	WO	WO	WO	WO	WO	WO	WO
Reset	0	0	0	0	0	0	0	0	0	0	0	0	0	0	0	0

Bit(s)	Name	Description
23	IRQ17_MSET	Set corresponding bits in IRQ Mask Register. 0: No effect 1: Enable corresponding MASK bit
22	IRQ16_MSET	Set corresponding bits in IRQ Mask Register. 0: No effect 1: Enable corresponding MASK bit
21	IRQ15_MSET	Set corresponding bits in IRQ Mask Register. 0: No effect 1: Enable corresponding MASK bit
20	IRQ14_MSET	Set corresponding bits in IRQ Mask Register. 0: No effect 1: Enable corresponding MASK bit
19	IRQ13_MSET	Set corresponding bits in IRQ Mask Register. 0: No effect 1: Enable corresponding MASK bit
18	IRQ12_MSET	Set corresponding bits in IRQ Mask Register. 0: No effect 1: Enable corresponding MASK bit
17	IRQ11_MSET	Set corresponding bits in IRQ Mask Register. 0: No effect 1: Enable corresponding MASK bit
16	IRQ10_MSET	Set corresponding bits in IRQ Mask Register. 0: No effect 1: Enable corresponding MASK bit

Bit(s)	Name	Description
15	IRQF_MSET	0: No effect 1: Enable corresponding MASK bit Set corresponding bits in IRQ Mask Register.
14	IRQE_MSET	0: No effect 1: Enable corresponding MASK bit Set corresponding bits in IRQ Mask Register.
13	IRQD_MSET	0: No effect 1: Enable corresponding MASK bit Set corresponding bits in IRQ Mask Register.
12	IRQC_MSET	0: No effect 1: Enable corresponding MASK bit Set corresponding bits in IRQ Mask Register.
11	IRQB_MSET	0: No effect 1: Enable corresponding MASK bit Set corresponding bits in IRQ Mask Register.
10	IRQA_MSET	0: No effect 1: Enable corresponding MASK bit Set corresponding bits in IRQ Mask Register.
9	IRQ9_MSET	0: No effect 1: Enable corresponding MASK bit Set corresponding bits in IRQ Mask Register.
8	IRQ8_MSET	0: No effect 1: Enable corresponding MASK bit Set corresponding bits in IRQ Mask Register.
7	IRQ7_MSET	0: No effect 1: Enable corresponding MASK bit Set corresponding bits in IRQ Mask Register.
6	IRQ6_MSET	0: No effect 1: Enable corresponding MASK bit Set corresponding bits in IRQ Mask Register.
5	IRQ5_MSET	0: No effect 1: Enable corresponding MASK bit Set corresponding bits in IRQ Mask Register.
4	IRQ4_MSET	0: No effect 1: Enable corresponding MASK bit Set corresponding bits in IRQ Mask Register.
3	IRQ3_MSET	0: No effect 1: Enable corresponding MASK bit Set corresponding bits in IRQ Mask Register.
2	IRQ2_MSET	0: No effect 1: Enable corresponding MASK bit Set corresponding bits in IRQ Mask Register.
1	IRQ1_MSET	0: No effect 1: Enable corresponding MASK bit Set corresponding bits in IRQ Mask Register.
0	IRQ0_MSET	0: No effect 1: Enable corresponding MASK bit Set corresponding bits in IRQ Mask Register.

810400A0				IRQ End of Interrupt Register								00000000				
Bit	31	30	29	28	27	26	25	24	23	22	21	20	19	18	17	16
Name									IR Q17 _E OI	IR Q16 _E OI	IR Q15 _E OI	IR Q14 _E OI	IR Q13 _E OI	IR Q12 _E OI	IR Q11 _E OI	IR Q1 _o_ EO

Type										WO	WO	WO	WO	WO	WO	WO	I
Reset										0	0	0	0	0	0	0	0
Bit	15	14	13	12	11	10	9	8	7	6	5	4	3	2	1	0	
Name	IR_QF_E_OI	IR_QE_E_OI	IR_QD_E_OI	IR_QC_E_OI	IR_QB_E_OI	IR_QA_E_OI	IR_Q9_E_OI	IR_Q8_E_OI	IR_Q7_E_OI	IR_Q6_E_OI	IR_Q5_E_OI	IR_Q4_E_OI	IR_Q3_E_OI	IR_Q2_E_OI	IR_Q1_E_OI	IR_Q0_E_OI	
Type	WO	WO	WO	WO	WO	WO	WO	WO	WO	WO	WO	WO	WO	WO	WO	WO	WO
Reset	0	0	0	0	0	0	0	0	0	0	0	0	0	0	0	0	0

Bit(s)	Name	Description
23	IRQ17_EOI	End of Interrupt command for the associated interrupt line. 0: No service is currently in progress or pending 1: Interrupt request is in-service
22	IRQ16_EOI	End of Interrupt command for the associated interrupt line. 0: No service is currently in progress or pending 1: Interrupt request is in-service
21	IRQ15_EOI	End of Interrupt command for the associated interrupt line. 0: No service is currently in progress or pending 1: Interrupt request is in-service
20	IRQ14_EOI	End of Interrupt command for the associated interrupt line. 0: No service is currently in progress or pending 1: Interrupt request is in-service
19	IRQ13_EOI	End of Interrupt command for the associated interrupt line. 0: No service is currently in progress or pending 1: Interrupt request is in-service
18	IRQ12_EOI	End of Interrupt command for the associated interrupt line. 0: No service is currently in progress or pending 1: Interrupt request is in-service
17	IRQ11_EOI	End of Interrupt command for the associated interrupt line. 0: No service is currently in progress or pending 1: Interrupt request is in-service
16	IRQ10_EOI	End of Interrupt command for the associated interrupt line. 0: No service is currently in progress or pending 1: Interrupt request is in-service
15	IRQF_EOI	End of Interrupt command for the associated interrupt line. 0: No service is currently in progress or pending 1: Interrupt request is in-service
14	IRQE_EOI	End of Interrupt command for the associated interrupt line. 0: No service is currently in progress or pending 1: Interrupt request is in-service
13	IRQD_EOI	End of Interrupt command for the associated interrupt line. 0: No service is currently in progress or pending 1: Interrupt request is in-service
12	IRQC_EOI	End of Interrupt command for the associated interrupt line. 0: No service is currently in progress or pending 1: Interrupt request is in-service

Bit(s)	Name	Description
11	IRQB_EOI	0: No service is currently in progress or pending 1: Interrupt request is in-service End of Interrupt command for the associated interrupt line.
10	IRQA_EOI	0: No service is currently in progress or pending 1: Interrupt request is in-service End of Interrupt command for the associated interrupt line.
9	IRQ9_EOI	0: No service is currently in progress or pending 1: Interrupt request is in-service End of Interrupt command for the associated interrupt line.
8	IRQ8_EOI	0: No service is currently in progress or pending 1: Interrupt request is in-service End of Interrupt command for the associated interrupt line.
7	IRQ7_EOI	0: No service is currently in progress or pending 1: Interrupt request is in-service End of Interrupt command for the associated interrupt line.
6	IRQ6_EOI	0: No service is currently in progress or pending 1: Interrupt request is in-service End of Interrupt command for the associated interrupt line.
5	IRQ5_EOI	0: No service is currently in progress or pending 1: Interrupt request is in-service End of Interrupt command for the associated interrupt line.
4	IRQ4_EOI	0: No service is currently in progress or pending 1: Interrupt request is in-service End of Interrupt command for the associated interrupt line.
3	IRQ3_EOI	0: No service is currently in progress or pending 1: Interrupt request is in-service End of Interrupt command for the associated interrupt line.
2	IRQ2_EOI	0: No service is currently in progress or pending 1: Interrupt request is in-service End of Interrupt command for the associated interrupt line.
1	IRQ1_EOI	0: No service is currently in progress or pending 1: Interrupt request is in-service End of Interrupt command for the associated interrupt line.
0	IRQ0_EOI	0: No service is currently in progress or pending 1: Interrupt request is in-service End of Interrupt command for the associated interrupt line.

810400Bo					IRQ SENS								IRQ Sensitive Register		00000000	
Bit	31	30	29	28	27	26	25	24	23	22	21	20	19	18	17	16
Name									IR Q17 _S _EN	IR Q16 _S _EN	IR Q15 _S _EN	IR Q14 _S _EN	IR Q13 _S _EN	IR Q12 _S _EN	IR Q11 _S _EN	IR Q1 _o _SE

									S	S	S	S	S	S	S	NS
Type									RW	RW	RW	RW	RW	RW	RW	RW
Reset									0	0	0	0	0	0	0	0
Bit	15	14	13	12	11	10	9	8	7	6	5	4	3	2	1	0
Name	IR_QF_S_EN_S	IR_QE_S_EN_S	IR_QD_S_EN_S	IR_QC_S_EN_S	IR_QB_S_EN_S	IR_QA_S_EN_S	IR_Q9_S_EN_S	IR_Q8_S_EN_S	IR_Q7_S_EN_S	IR_Q6_S_EN_S	IR_Q5_S_EN_S	IR_Q4_S_EN_S	IR_Q3_S_EN_S	IR_Q2_S_EN_S	IR_Q1_S_EN_S	IR_Q0_S_EN_S
Type	RW	RW	RW	RW	RW	RW	RW	RW	RW	RW	RW	RW	RW	RW	RW	RW
Reset	0	0	0	0	0	0	0	0	0	0	0	0	0	0	0	0

Bit(s)	Name	Description
23	IRQ17_SENS	Sensitivity type of the associated Interrupt Source 0: Edge sensitivity with active LOW 1: Level sensitivity with active LOW
22	IRQ16_SENS	Sensitivity type of the associated Interrupt Source 0: Edge sensitivity with active LOW 1: Level sensitivity with active LOW
21	IRQ15_SENS	Sensitivity type of the associated Interrupt Source 0: Edge sensitivity with active LOW 1: Level sensitivity with active LOW
20	IRQ14_SENS	Sensitivity type of the associated Interrupt Source 0: Edge sensitivity with active LOW 1: Level sensitivity with active LOW
19	IRQ13_SENS	Sensitivity type of the associated Interrupt Source 0: Edge sensitivity with active LOW 1: Level sensitivity with active LOW
18	IRQ12_SENS	Sensitivity type of the associated Interrupt Source 0: Edge sensitivity with active LOW 1: Level sensitivity with active LOW
17	IRQ11_SENS	Sensitivity type of the associated Interrupt Source 0: Edge sensitivity with active LOW 1: Level sensitivity with active LOW
16	IRQ10_SENS	Sensitivity type of the associated Interrupt Source 0: Edge sensitivity with active LOW 1: Level sensitivity with active LOW
15	IRQF_SENS	Sensitivity type of the associated Interrupt Source 0: Edge sensitivity with active LOW 1: Level sensitivity with active LOW
14	IRQE_SENS	Sensitivity type of the associated Interrupt Source 0: Edge sensitivity with active LOW 1: Level sensitivity with active LOW
13	IRQD_SENS	Sensitivity type of the associated Interrupt Source 0: Edge sensitivity with active LOW 1: Level sensitivity with active LOW
12	IRQC_SENS	Sensitivity type of the associated Interrupt Source 0: Edge sensitivity with active LOW 1: Level sensitivity with active LOW
11	IRQB_SENS	Sensitivity type of the associated Interrupt Source 0: Edge sensitivity with active LOW 1: Level sensitivity with active LOW
10	IRQA_SENS	Sensitivity type of the associated Interrupt Source 0: Edge sensitivity with active LOW 1: Level sensitivity with active LOW
9	IRQ9_SENS	Sensitivity type of the associated Interrupt Source 0: Edge sensitivity with active LOW 1: Level sensitivity with active LOW

Bit(s)	Name	Description
8	IRQ8_SENS	Sensitivity type of the associated Interrupt Source 0: Edge sensitivity with active LOW 1: Level sensitivity with active LOW
7	IRQ7_SENS	Sensitivity type of the associated Interrupt Source 0: Edge sensitivity with active LOW 1: Level sensitivity with active LOW
6	IRQ6_SENS	Sensitivity type of the associated Interrupt Source 0: Edge sensitivity with active LOW 1: Level sensitivity with active LOW
5	IRQ5_SENS	Sensitivity type of the associated Interrupt Source 0: Edge sensitivity with active LOW 1: Level sensitivity with active LOW
4	IRQ4_SENS	Sensitivity type of the associated Interrupt Source 0: Edge sensitivity with active LOW 1: Level sensitivity with active LOW
3	IRQ3_SENS	Sensitivity type of the associated Interrupt Source 0: Edge sensitivity with active LOW 1: Level sensitivity with active LOW
2	IRQ2_SENS	Sensitivity type of the associated Interrupt Source 0: Edge sensitivity with active LOW 1: Level sensitivity with active LOW
1	IRQ1_SENS	Sensitivity type of the associated Interrupt Source 0: Edge sensitivity with active LOW 1: Level sensitivity with active LOW
0	IRQ0_SENS	Sensitivity type of the associated Interrupt Source 0: Edge sensitivity with active LOW 1: Level sensitivity with active LOW

810400Co IRQ_SOFT **IRQ Software Interrupt Register** **00000000**

Bit	31	30	29	28	27	26	25	24	23	22	21	20	19	18	17	16
Name									IR_Q17_S_OF_T	IR_Q16_S_OF_T	IR_Q15_S_OF_T	IR_Q14_S_OF_T	IR_Q13_S_OF_T	IR_Q12_S_OF_T	IR_Q11_S_OF_T	IR_Q10_S_OF_T
Type									RW	RW	RW	RW	RW	RW	RW	RW
Reset									0	0	0	0	0	0	0	0
Bit	15	14	13	12	11	10	9	8	7	6	5	4	3	2	1	0
Name	IR_QF_S_OF_T	IR_QE_S_OF_T	IR_QD_S_OF_T	IR_QC_S_OF_T	IR_QB_S_OF_T	IR_QA_S_OF_T	IR_Q9_S_OF_T	IR_Q8_S_OF_T	IR_Q7_S_OF_T	IR_Q6_S_OF_T	IR_Q5_S_OF_T	IR_Q4_S_OF_T	IR_Q3_S_OF_T	IR_Q2_S_OF_T	IR_Q1_S_OF_T	IR_Q0_S_OF_T
Type	RW	RW	RW	RW	RW	RW	RW	RW	RW	RW	RW	RW	RW	RW	RW	RW
Reset	0	0	0	0	0	0	0	0	0	0	0	0	0	0	0	0

Bit(s)	Name	Description
23	IRQ17_SOFT	Software Interrupt
22	IRQ16_SOFT	Software Interrupt
21	IRQ15_SOFT	Software Interrupt
20	IRQ14_SOFT	Software Interrupt
19	IRQ13_SOFT	Software Interrupt
18	IRQ12_SOFT	Software Interrupt
17	IRQ11_SOFT	Software Interrupt

Bit(s)	Name	Description
16	IRQ10_SOFT	Software Interrupt
15	IRQF_SOFT	Software Interrupt
14	IRQE_SOFT	Software Interrupt
13	IRQD_SOFT	Software Interrupt
12	IRQC_SOFT	Software Interrupt
11	IRQB_SOFT	Software Interrupt
10	IRQA_SOFT	Software Interrupt
9	IRQ9_SOFT	Software Interrupt
8	IRQ8_SOFT	Software Interrupt
7	IRQ7_SOFT	Software Interrupt
6	IRQ6_SOFT	Software Interrupt
5	IRQ5_SOFT	Software Interrupt
4	IRQ4_SOFT	Software Interrupt
3	IRQ3_SOFT	Software Interrupt
2	IRQ2_SOFT	Software Interrupt
1	IRQ1_SOFT	Software Interrupt
0	IRQ0_SOFT	Software Interrupt

810400D0 FIQ_CON **FIQ Control Register** **00000001**

Bit	31	30	29	28	27	26	25	24	23	22	21	20	19	18	17	16
Name																
Type																
Reset																
Bit	15	14	13	12	11	10	9	8	7	6	5	4	3	2	1	0
Name															FIQ_SENS	FIQ_MASK
Type															RW	RW
Reset															0	1

Bit(s)	Name	Description
1	FIQ_SENS	Sensitivity type of the FIQ Interrupt Source 0: Edge sensitivity with active LOW 1: Level sensitivity with active LOW
0	FIQ_MASK	Mask control for the FIQ Interrupt Source 0: Interrupt is enabled 1: Interrupt is disabled

810400D4 FIQ_EOI **FIQ End of Interrupt Register** **00000000**

Bit	31	30	29	28	27	26	25	24	23	22	21	20	19	18	17	16
Name																
Type																
Reset																
Bit	15	14	13	12	11	10	9	8	7	6	5	4	3	2	1	0

Name																	FIQ_EOI
Type																	WO
Reset																	0

Bit(s)	Name	Description
0	FIQ_EOI	End of Interrupt command 0: No interrupt request is generated 1: Interrupt request is in-service

810400D8 IRQ_STA2

Binary Coded Value of IRQ_STATUS

00000100

Bit	31	30	29	28	27	26	25	24	23	22	21	20	19	18	17	16
Name																
Type																
Reset																
Bit	15	14	13	12	11	10	9	8	7	6	5	4	3	2	1	0
Name								NO IR Q				IRQ_STA2				
Type								RC				RC				
Reset								1				0	0	0	0	0

Bit(s)	Name	Description
8	NOIRQ	Indicating if there is an IRQ or not. If there is no IRQ, this bit is HIGH
4:0	IRQ_STA2	Binary coded value of IRQ_STA

810400DC IRQ_EOI2

Binary Coded Value of IRQ_EOI

00000000

Bit	31	30	29	28	27	26	25	24	23	22	21	20	19	18	17	16
Name																
Type																
Reset																
Bit	15	14	13	12	11	10	9	8	7	6	5	4	3	2	1	0
Name												IRQ_EOI				
Type												RW				
Reset												0	0	0	0	0

Bit(s)	Name	Description
--------	------	-------------

Bit(s)	Name	Description
4:0	IRQ_EOI	Binary coded value of IRQ_EOI

810400E0 IRQ_ASTA Binary Value of IRQ Source Status 00000000

Bit	31	30	29	28	27	26	25	24	23	22	21	20	19	18	17	16
Name									IR_Q17_A_STA	IR_Q16_A_STA	IR_Q15_A_STA	IR_Q14_A_STA	IR_Q13_A_STA	IR_Q12_A_STA	IR_Q11_A_STA	IR_Q10_A_STA
Type									RO	RO	RO	RO	RO	RO	RO	RO
Reset									0	0	0	0	0	0	0	0
Bit	15	14	13	12	11	10	9	8	7	6	5	4	3	2	1	0
Name	IR_QF_A_STA	IR_QE_A_STA	IR_QD_A_STA	IR_QC_A_STA	IR_QB_A_STA	IR_QA_A_STA	IR_Q9_A_STA	IR_Q8_A_STA	IR_Q7_A_STA	IR_Q6_A_STA	IR_Q5_A_STA	IR_Q4_A_STA	IR_Q3_A_STA	IR_Q2_A_STA	IR_Q1_A_STA	IR_Q0_A_STA
Type	RO	RO	RO	RO	RO	RO	RO	RO	RO	RO	RO	RO	RO	RO	RO	RO
Reset	0	0	0	0	0	0	0	0	0	0	0	0	0	0	0	0

Bit(s)	Name	Description
23	IRQ17_ASTA	Status of interrupt source 0: no interrupt. 1: interrupt occurs
22	IRQ16_ASTA	Status of interrupt source 0: no interrupt. 1: interrupt occurs
21	IRQ15_ASTA	Status of interrupt source 0: no interrupt. 1: interrupt occurs
20	IRQ14_ASTA	Status of interrupt source 0: no interrupt. 1: interrupt occurs
19	IRQ13_ASTA	Status of interrupt source 0: no interrupt. 1: interrupt occurs
18	IRQ12_ASTA	Status of interrupt source 0: no interrupt. 1: interrupt occurs
17	IRQ11_ASTA	Status of interrupt source 0: no interrupt. 1: interrupt occurs
16	IRQ10_ASTA	Status of interrupt source 0: no interrupt. 1: interrupt occurs
15	IRQF_ASTA	Status of interrupt source 0: no interrupt. 1: interrupt occurs
14	IRQE_ASTA	Status of interrupt source 0: no interrupt. 1: interrupt occurs
13	IRQD_ASTA	Status of interrupt source 0: no interrupt. 1: interrupt occurs

Bit(s)	Name	Description
12	IRQC_ASTA	Status of interrupt source 0: no interrupt. 1: interrupt occurs
11	IRQB_ASTA	Status of interrupt source 0: no interrupt. 1: interrupt occurs
10	IRQA_ASTA	Status of interrupt source 0: no interrupt. 1: interrupt occurs
9	IRQ9_ASTA	Status of interrupt source 0: no interrupt. 1: interrupt occurs
8	IRQ8_ASTA	Status of interrupt source 0: no interrupt. 1: interrupt occurs
7	IRQ7_ASTA	Status of interrupt source 0: no interrupt. 1: interrupt occurs
6	IRQ6_ASTA	Status of interrupt source 0: no interrupt. 1: interrupt occurs
5	IRQ5_ASTA	Status of interrupt source 0: no interrupt. 1: interrupt occurs
4	IRQ4_ASTA	Status of interrupt source 0: no interrupt. 1: interrupt occurs
3	IRQ3_ASTA	Status of interrupt source 0: no interrupt. 1: interrupt occurs
2	IRQ2_ASTA	Status of interrupt source 0: no interrupt. 1: interrupt occurs
1	IRQ1_ASTA	Status of interrupt source 0: no interrupt. 1: interrupt occurs
0	IRQ0_ASTA	Status of interrupt source 0: no interrupt. 1: interrupt occurs

810400Fo IRQ_EEVT		Binary Value of EINT Event														00000000
Bit	31	30	29	28	27	26	25	24	23	22	21	20	19	18	17	16
Name	EI NT _S YN C_ MO DE															
Type	RW															
Reset	0															
Bit	15	14	13	12	11	10	9	8	7	6	5	4	3	2	1	0
Name																EI NT _E VE

Type																			NT
Reset																			RO
																			0

Bit(s)	Name	Description
31	EINT_SYNC_MODE	EINT event sync mode enable 0: EINT event no sync by 32k clock 1: EINT event sync by 32k clock
0	EINT_EVENT	EINT event status 0: no EINT event. 1: EINT event occurs.

81040100 EINT_STA EINT Status Register 00000000

Bit	31	30	29	28	27	26	25	24	23	22	21	20	19	18	17	16
Name																
Type																
Reset																
Bit	15	14	13	12	11	10	9	8	7	6	5	4	3	2	1	0
Name			EI NT D_ ST A	EI NT C_ ST A	EI NT B_ ST A	EI NT A_ ST A	EI NT 9_ ST A	EI NT 8_ ST A	EI NT 7_ S TA	EI NT 6_ ST A	EI NT 5_ S TA	EI NT 4_ ST A	EI NT 3_ ST A	EI NT 2_ ST A	EI NT 1_ S TA	EI NT 0_ ST A
Type			RO	RO	RO	RO	RO	RO	RO	RO	RO	RO	RO	RO	RO	RO
Reset			0	0	0	0	0	0	0	0	0	0	0	0	0	0

Bit(s)	Name	Description
13	EINTD_STA	Interrupt Status 0: No interrupt request is generated 1: Interrupt request is pending
12	EINTC_STA	Interrupt Status 0: No interrupt request is generated 1: Interrupt request is pending
11	EINTB_STA	Interrupt Status 0: No interrupt request is generated 1: Interrupt request is pending
10	EINTA_STA	Interrupt Status 0: No interrupt request is generated 1: Interrupt request is pending
9	EINT9_STA	Interrupt Status 0: No interrupt request is generated 1: Interrupt request is pending
8	EINT8_STA	Interrupt Status 0: No interrupt request is generated 1: Interrupt request is pending
7	EINT7_STA	Interrupt Status 0: No interrupt request is generated 1: Interrupt request is pending
6	EINT6_STA	Interrupt Status 0: No interrupt request is generated

Bit(s)	Name	Description
5	EINT5_STA	1: Interrupt request is pending Interrupt Status 0: No interrupt request is generated
4	EINT4_STA	1: Interrupt request is pending Interrupt Status 0: No interrupt request is generated
3	EINT3_STA	1: Interrupt request is pending Interrupt Status 0: No interrupt request is generated
2	EINT2_STA	1: Interrupt request is pending Interrupt Status 0: No interrupt request is generated
1	EINT1_STA	1: Interrupt request is pending Interrupt Status 0: No interrupt request is generated
0	EINT0_STA	1: Interrupt request is pending Interrupt Status 0: No interrupt request is generated

81040104 EINT_MASK EINT Mask Register 00003FFF

Bit	31	30	29	28	27	26	25	24	23	22	21	20	19	18	17	16
Name																
Type																
Reset																
Bit	15	14	13	12	11	10	9	8	7	6	5	4	3	2	1	0
Name			EI NT D_	EI NT C_	EI NT B_	EI NT A_	EI NT 9_	EI NT 8_	EI NT 7_	EI NT 6_	EI NT 5_	EI NT 4_	EI NT 3_	EI NT 2_	EI NT 1_	EI NT 0_
Type			RW	RW	RW	RW	RW	RW	RW	RW	RW	RW	RW	RW	RW	RW
Reset			1	1	1	1	1	1	1	1	1	1	1	1	1	1

Bit(s)	Name	Description
13	EINTD_MASK	Mask control for the associated interrupt source in the IRQ controller 0: Interrupt is enabled 1: Interrupt is disabled
12	EINTC_MASK	Mask control for the associated interrupt source in the IRQ controller 0: Interrupt is enabled 1: Interrupt is disabled
11	EINTB_MASK	Mask control for the associated interrupt source in the IRQ controller 0: Interrupt is enabled 1: Interrupt is disabled
10	EINTA_MASK	Mask control for the associated interrupt source in the IRQ controller 0: Interrupt is enabled 1: Interrupt is disabled
9	EINT9_MASK	Mask control for the associated interrupt source in the

Bit(s)	Name	Description
		IRQ controller 0: Interrupt is enabled 1: Interrupt is disabled
8	EINT8_MASK	Mask control for the associated interrupt source in the IRQ controller 0: Interrupt is enabled 1: Interrupt is disabled
7	EINT7_MASK	Mask control for the associated interrupt source in the IRQ controller 0: Interrupt is enabled 1: Interrupt is disabled
6	EINT6_MASK	Mask control for the associated interrupt source in the IRQ controller 0: Interrupt is enabled 1: Interrupt is disabled
5	EINT5_MASK	Mask control for the associated interrupt source in the IRQ controller 0: Interrupt is enabled 1: Interrupt is disabled
4	EINT4_MASK	Mask control for the associated interrupt source in the IRQ controller 0: Interrupt is enabled 1: Interrupt is disabled
3	EINT3_MASK	Mask control for the associated interrupt source in the IRQ controller 0: Interrupt is enabled 1: Interrupt is disabled
2	EINT2_MASK	Mask control for the associated interrupt source in the IRQ controller 0: Interrupt is enabled 1: Interrupt is disabled
1	EINT1_MASK	Mask control for the associated interrupt source in the IRQ controller 0: Interrupt is enabled 1: Interrupt is disabled
0	EINT0_MASK	Mask control for the associated interrupt source in the IRQ controller 0: Interrupt is enabled 1: Interrupt is disabled

81040108 EINT_MASK_CLR EINT Mask Clear Register 00000000

Bit	31	30	29	28	27	26	25	24	23	22	21	20	19	18	17	16
Name																
Type																
Reset																
Bit	15	14	13	12	11	10	9	8	7	6	5	4	3	2	1	0
Name			EI NT D_ MC LR	EI NT C_ MC LR	EI NT B_ MC LR	EI NT A_ MC LR	EI NT 9_ MC LR	EI NT 8_ MC LR	EI NT 7_ MC LR	EI NT 6_ MC LR	EI NT 5_ MC LR	EI NT 4_ MC LR	EI NT 3_ MC LR	EI NT 2_ MC LR	EI NT 1_ MC LR	EI NT 0_ MC LR
Type			WO	WO	WO	WO	WO	WO	WO	WO	WO	WO	WO	WO	WO	WO
Reset			0	0	0	0	0	0	0	0	0	0	0	0	0	0

Bit(s)	Name	Description
13	EINTD_MCLR	Mask control for the associated interrupt source in the IRQ controller 0: Interrupt is enabled 1: Interrupt is disabled
12	EINTC_MCLR	Disable mask for the associated external interrupt source 0: No effect. 1: Disable the corresponding MASK bit.
11	EINTB_MCLR	Disable mask for the associated external interrupt source 0: No effect. 1: Disable the corresponding MASK bit.
10	EINTA_MCLR	Disable mask for the associated external interrupt source 0: No effect. 1: Disable the corresponding MASK bit.
9	EINT9_MCLR	Disable mask for the associated external interrupt source 0: No effect. 1: Disable the corresponding MASK bit.
8	EINT8_MCLR	Disable mask for the associated external interrupt source 0: No effect. 1: Disable the corresponding MASK bit.
7	EINT7_MCLR	Disable mask for the associated external interrupt source 0: No effect. 1: Disable the corresponding MASK bit.
6	EINT6_MCLR	Disable mask for the associated external interrupt source 0: No effect. 1: Disable the corresponding MASK bit.
5	EINT5_MCLR	Disable mask for the associated external interrupt source 0: No effect. 1: Disable the corresponding MASK bit.
4	EINT4_MCLR	Disable mask for the associated external interrupt source 0: No effect. 1: Disable the corresponding MASK bit.
3	EINT3_MCLR	Disable mask for the associated external interrupt source 0: No effect. 1: Disable the corresponding MASK bit.
2	EINT2_MCLR	Disable mask for the associated external interrupt source 0: No effect. 1: Disable the corresponding MASK bit.
1	EINT1_MCLR	Disable mask for the associated external interrupt source 0: No effect. 1: Disable the corresponding MASK bit.
0	EINT0_MCLR	Disable mask for the associated external interrupt source 0: No effect. 1: Disable the corresponding MASK bit.

8104010C EINT_MASK_SET EINT Mask Set Register 00000000

Bit	31	30	29	28	27	26	25	24	23	22	21	20	19	18	17	16
Name																
Type																
Reset																
Bit	15	14	13	12	11	10	9	8	7	6	5	4	3	2	1	0
Name			EI NT	EI NT	EI NT	EI NT	EI NT	EI NT	EI NT	EI NT	EI NT	EI NT	EI NT	EI NT	EI NT	EI NT

			D_MS ET	C_MS ET	B_MS ET	A_MS ET	9_MS ET	8_MS ET	7_MS ET	6_MS ET	5_MS ET	4_MS ET	3_MS ET	2_MS ET	1_MS ET	0_MS ET
Type			WO	WO	WO	WO	WO	WO	WO	WO	WO	WO	WO	WO	WO	WO
Reset			0	0	0	0	0	0	0	0	0	0	0	0	0	0

Bit(s)	Name	Description
13	EINTD_MSET	Enable mask for the associated external interrupt source. 0: No effect. 1: Enable corresponding MASK bit.
12	EINTC_MSET	Enable mask for the associated external interrupt source. 0: No effect. 1: Enable corresponding MASK bit.
11	EINTB_MSET	Enable mask for the associated external interrupt source. 0: No effect. 1: Enable corresponding MASK bit.
10	EINTA_MSET	Enable mask for the associated external interrupt source. 0: No effect. 1: Enable corresponding MASK bit.
9	EINT9_MSET	Enable mask for the associated external interrupt source. 0: No effect. 1: Enable corresponding MASK bit.
8	EINT8_MSET	Enable mask for the associated external interrupt source. 0: No effect. 1: Enable corresponding MASK bit.
7	EINT7_MSET	Enable mask for the associated external interrupt source. 0: No effect. 1: Enable corresponding MASK bit.
6	EINT6_MSET	Enable mask for the associated external interrupt source. 0: No effect. 1: Enable corresponding MASK bit.
5	EINT5_MSET	Enable mask for the associated external interrupt source. 0: No effect. 1: Enable corresponding MASK bit.
4	EINT4_MSET	Enable mask for the associated external interrupt source. 0: No effect. 1: Enable corresponding MASK bit.
3	EINT3_MSET	Enable mask for the associated external interrupt source. 0: No effect. 1: Enable corresponding MASK bit.
2	EINT2_MSET	Enable mask for the associated external interrupt source. 0: No effect. 1: Enable corresponding MASK bit.
1	EINT1_MSET	Enable mask for the associated external interrupt source. 0: No effect. 1: Enable corresponding MASK bit.
0	EINT0_MSET	Enable mask for the associated external interrupt source. 0: No effect. 1: Enable corresponding MASK bit.

81040110 EINT_INTACK

EINT Interrupt Acknowledge Register

00000000

Bit	31	30	29	28	27	26	25	24	23	22	21	20	19	18	17	16
Name																

Type																
Reset																
Bit	15	14	13	12	11	10	9	8	7	6	5	4	3	2	1	0
Name			EI NT D_ ACK	EI NT C_ ACK	EI NT B_ ACK	EI NT A_ ACK	EI NT 9_ ACK	EI NT 8_ ACK	EI NT 7_ ACK	EI NT 6_ ACK	EI NT 5_ ACK	EI NT 4_ ACK	EI NT 3_ ACK	EI NT 2_ ACK	EI NT 1_ ACK	EI NT 0_ ACK
Type			WO	WO	WO	WO	WO	WO	WO	WO	WO	WO	WO	WO	WO	WO
Reset			0	0	0	0	0	0	0	0	0	0	0	0	0	0

Bit(s)	Name	Description
13	EINTD_ACK	Interrupt acknowledgement 0: No effect. 1: Interrupt Request is acknowledged.
12	EINTC_ACK	Interrupt acknowledgement 0: No effect. 1: Interrupt Request is acknowledged.
11	EINTB_ACK	Interrupt acknowledgement 0: No effect. 1: Interrupt Request is acknowledged.
10	EINTA_ACK	Interrupt acknowledgement 0: No effect. 1: Interrupt Request is acknowledged.
9	EINT9_ACK	Interrupt acknowledgement 0: No effect. 1: Interrupt Request is acknowledged.
8	EINT8_ACK	Interrupt acknowledgement 0: No effect. 1: Interrupt Request is acknowledged.
7	EINT7_ACK	Interrupt acknowledgement 0: No effect. 1: Interrupt Request is acknowledged.
6	EINT6_ACK	Interrupt acknowledgement 0: No effect. 1: Interrupt Request is acknowledged.
5	EINT5_ACK	Interrupt acknowledgement 0: No effect. 1: Interrupt Request is acknowledged.
4	EINT4_ACK	Interrupt acknowledgement 0: No effect. 1: Interrupt Request is acknowledged.
3	EINT3_ACK	Interrupt acknowledgement 0: No effect. 1: Interrupt Request is acknowledged.
2	EINT2_ACK	Interrupt acknowledgement 0: No effect. 1: Interrupt Request is acknowledged.
1	EINT1_ACK	Interrupt acknowledgement 0: No effect. 1: Interrupt Request is acknowledged.
0	EINT0_ACK	Interrupt acknowledgement 0: No effect. 1: Interrupt Request is acknowledged.

81040114 EINT_SENS EINT Sensitive Register 00003FFF

Bit	31	30	29	28	27	26	25	24	23	22	21	20	19	18	17	16
Name																
Type																
Reset																
Bit	15	14	13	12	11	10	9	8	7	6	5	4	3	2	1	0
Name			EI NT D_ SE NS	EI NT C_ SE NS	EI NT B_ SE NS	EI NT A_ SE NS	EI NT 9_ SE NS	EI NT 8_ SE NS	EI NT 7_ S EN S	EI NT 6_ SE NS	EI NT 5_ S EN S	EI NT 4_ SE NS	EI NT 3_ SE NS	EI NT 2_ SE NS	EI NT 1_ S EN S	EI NT 0_ SE NS
Type			RW	RW	RW	RW	RW	RW	RW	RW	RW	RW	RW	RW	RW	RW
Reset			1	1	1	1	1	1	1	1	1	1	1	1	1	1

Bit(s)	Name	Description
13	EINTD_SENS	Sensitive type of the associated external interrupt source 0: Edge sensitivity. 1: Level sensitivity.
12	EINTC_SENS	Sensitive type of the associated external interrupt source 0: Edge sensitivity. 1: Level sensitivity.
11	EINTB_SENS	Sensitive type of the associated external interrupt source 0: Edge sensitivity. 1: Level sensitivity.
10	EINTA_SENS	Sensitive type of the associated external interrupt source 0: Edge sensitivity. 1: Level sensitivity.
9	EINT9_SENS	Sensitive type of the associated external interrupt source 0: Edge sensitivity. 1: Level sensitivity.
8	EINT8_SENS	Sensitive type of the associated external interrupt source 0: Edge sensitivity. 1: Level sensitivity.
7	EINT7_SENS	Sensitive type of the associated external interrupt source 0: Edge sensitivity. 1: Level sensitivity.
6	EINT6_SENS	Sensitive type of the associated external interrupt source 0: Edge sensitivity. 1: Level sensitivity.
5	EINT5_SENS	Sensitive type of the associated external interrupt source 0: Edge sensitivity. 1: Level sensitivity.
4	EINT4_SENS	Sensitive type of the associated external interrupt source 0: Edge sensitivity. 1: Level sensitivity.
3	EINT3_SENS	Sensitive type of the associated external interrupt source 0: Edge sensitivity. 1: Level sensitivity.
2	EINT2_SENS	Sensitive type of the associated external interrupt source 0: Edge sensitivity. 1: Level sensitivity.
1	EINT1_SENS	Sensitive type of the associated external interrupt source 0: Edge sensitivity. 1: Level sensitivity.
0	EINT0_SENS	Sensitive type of the associated external interrupt source

Bit(s)	Name	Description
		0: Edge sensitivity.
		1: Level sensitivity.

81040118 EINT_SOFT EINT Software Interrupt Register 00000000

Bit	31	30	29	28	27	26	25	24	23	22	21	20	19	18	17	16
Name																
Type																
Reset																
Bit	15	14	13	12	11	10	9	8	7	6	5	4	3	2	1	0
Name			EI NT D_ SO FT	EI NT C_ SO FT	EI NT B_ SO FT	EI NT A_ SO FT	EI NT 9_ SO FT	EI NT 8_ SO FT	EI NT 7_ S OF T	EI NT 6_ SO FT	EI NT 5_ S OF T	EI NT 4_ SO FT	EI NT 3_ SO FT	EI NT 2_ SO FT	EI NT 1_ S OF T	EI NT 0_ SO FT
Type			RW	RW	RW	RW	RW	RW	RW	RW	RW	RW	RW	RW	RW	RW
Reset			0	0	0	0	0	0	0	0	0	0	0	0	0	0

Bit(s)	Name	Description
13	EINTD_SOFT	Software Interrupt
12	EINTC_SOFT	Software Interrupt
11	EINTB_SOFT	Software Interrupt
10	EINTA_SOFT	Software Interrupt
9	EINT9_SOFT	Software Interrupt
8	EINT8_SOFT	Software Interrupt
7	EINT7_SOFT	Software Interrupt
6	EINT6_SOFT	Software Interrupt
5	EINT5_SOFT	Software Interrupt
4	EINT4_SOFT	Software Interrupt
3	EINT3_SOFT	Software Interrupt
2	EINT2_SOFT	Software Interrupt
1	EINT1_SOFT	Software Interrupt
0	EINT0_SOFT	Software Interrupt

81040120 EINTo_CON EINT o De-bounce Control Register 00000000

Bit	31	30	29	28	27	26	25	24	23	22	21	20	19	18	17	16
Name																
Type																
Reset																
Bit	15	14	13	12	11	10	9	8	7	6	5	4	3	2	1	0
Name	EI NT o_ EN	EINTo_PRESCA LER			EI NT o_ PO L	EINTo_CNT										
Type	RW	RW			RW	RW										
Reset	0	0	0	0	0	0	0	0	0	0	0	0	0	0	0	0



Bit(s)	Name	Description
15	EINT0_EN	De-bounce control circuit 0: Disable 1: Enable
14:12	EINT0_PRESCALER	Determine the clock cycle period for debounce count. 3'b000: 32768Hz, max 3'b001: 16384Hz 3'b010: 8192Hz 3'b011: 4096Hz 3'b100: 2048Hz, max 3'b101: 1024Hz 3'b110: 512Hz 3'b111: 256Hz, max
11	EINT0_POL	Activation type of the EINT source 0: Negative polarity 1: Positive polarity
10:0	EINT0_CNT	De-bounce duration in terms of numbers of 32768Hz clock cycles. The cycle length is determined by PRESCALER

81040130 EINT1_CON EINT 1 De-bounce Control Register 00000000

Bit	31	30	29	28	27	26	25	24	23	22	21	20	19	18	17	16
Name																
Type																
Reset																
Bit	15	14	13	12	11	10	9	8	7	6	5	4	3	2	1	0
Name	EINT1_EN	EINT1_PRESCALER			EINT1_POL	EINT1_CNT										
Type	RW	RW			RW	RW										
Reset	0	0	0	0	0	0	0	0	0	0	0	0	0	0	0	0

Bit(s)	Name	Description
15	EINT1_EN	De-bounce control circuit 0: Disable 1: Enable
14:12	EINT1_PRESCALER	Determine the clock cycle period for debounce count. 3'b000: 32768Hz, max 3'b001: 16384Hz 3'b010: 8192Hz 3'b011: 4096Hz 3'b100: 2048Hz, max 3'b101: 1024Hz 3'b110: 512Hz 3'b111: 256Hz, max
11	EINT1_POL	Activation type of the EINT source 0: Negative polarity 1: Positive polarity
10:0	EINT1_CNT	De-bounce duration in terms of numbers of 32768Hz

Bit(s)	Name	Description
		clock cycles. The cycle length is determined by PRESCALER

81040140 EINT2 CON EINT 2 De-bounce Control Register 00000000

Bit	31	30	29	28	27	26	25	24	23	22	21	20	19	18	17	16
Name																
Type																
Reset																
Bit	15	14	13	12	11	10	9	8	7	6	5	4	3	2	1	0
Name	EINT2_EN	EINT2_PRESCALER			EINT2_POL	EINT2_CNT										
Type	RW	RW			RW	RW										
Reset	0	0	0	0	0	0	0	0	0	0	0	0	0	0	0	0

Bit(s)	Name	Description
15	EINT2_EN	De-bounce control circuit 0: Disable 1: Enable
14:12	EINT2_PRESCALER	Determine the clock cycle period for debounce count. 3'b000: 32768Hz, max 3'b001: 16384Hz 3'b010: 8192Hz 3'b011: 4096Hz 3'b100: 2048Hz, max 3'b101: 1024Hz 3'b110: 512Hz 3'b111: 256Hz, max
11	EINT2_POL	Activation type of the EINT source 0: Negative polarity 1: Positive polarity
10:0	EINT2_CNT	De-bounce duration in terms of numbers of 32768Hz clock cycles. The cycle length is determined by PRESCALER

81040150 EINT3 CON EINT 3 De-bounce Control Register 00000000

Bit	31	30	29	28	27	26	25	24	23	22	21	20	19	18	17	16
Name																
Type																
Reset																
Bit	15	14	13	12	11	10	9	8	7	6	5	4	3	2	1	0
Name	EINT3_EN	EINT3_PRESCALER			EINT3_POL	EINT3_CNT										

	EN				POL											
Type	RW		RW				RW		RW							
Reset	0	0	0	0	0	0	0	0	0	0	0	0	0	0	0	0

Bit(s)	Name	Description
15	EINT3_EN	De-bounce control circuit 0: Disable 1: Enable
14:12	EINT3_PRESCALER	Determine the clock cycle period for debounce count. 3'b000: 32768Hz, max 3'b001: 16384Hz 3'b010: 8192Hz 3'b011: 4096Hz 3'b100: 2048Hz, max 3'b101: 1024Hz 3'b110: 512Hz 3'b111: 256Hz, max
11	EINT3_POL	Activation type of the EINT source 0: Negative polarity 1: Positive polarity
10:0	EINT3_CNT	De-bounce duration in terms of numbers of 32768Hz clock cycles. The cycle length is determined by PRESCALER

81040160 EINT4_CON EINT 4 De-bounce Control Register 00000000

Bit	31	30	29	28	27	26	25	24	23	22	21	20	19	18	17	16
Name																
Type																
Reset																
Bit	15	14	13	12	11	10	9	8	7	6	5	4	3	2	1	0
Name	EINT4_EN	EINT4_PRESCALER				EINT4_POL	EINT4_CNT									
Type	RW	RW				RW	RW									
Reset	0	0	0	0	0	0	0	0	0	0	0	0	0	0	0	0

Bit(s)	Name	Description
15	EINT4_EN	De-bounce control circuit 0: Disable 1: Enable
14:12	EINT4_PRESCALER	Determine the clock cycle period for debounce count. 3'b000: 32768Hz, max 3'b001: 16384Hz 3'b010: 8192Hz 3'b011: 4096Hz 3'b100: 2048Hz, max 3'b101: 1024Hz 3'b110: 512Hz

Bit(s)	Name	Description
11	EINT4_POL	3'b111: 256Hz, max Activation type of the EINT source 0: Negative polarity 1: Positive polarity
10:0	EINT4_CNT	De-bounce duration in terms of numbers of 32768Hz clock cycles. The cycle length is determined by PRESCALER

81040170 EINT5_CON EINT 5 De-bounce Control Register 00000000

Bit	31	30	29	28	27	26	25	24	23	22	21	20	19	18	17	16
Name																
Type																
Reset																
Bit	15	14	13	12	11	10	9	8	7	6	5	4	3	2	1	0
Name	EINT5_EN	EINT5_PRESCALER			EINT5_POL	EINT5_CNT										
Type	RW	RW			RW	RW										
Reset	0	0	0	0	0	0	0	0	0	0	0	0	0	0	0	0

Bit(s)	Name	Description
15	EINT5_EN	De-bounce control circuit 0: Disable 1: Enable
14:12	EINT5_PRESCALER	Determine the clock cycle period for debounce count. 3'b000: 32768Hz, max 3'b001: 16384Hz 3'b010: 8192Hz 3'b011: 4096Hz 3'b100: 2048Hz, max 3'b101: 1024Hz 3'b110: 512Hz 3'b111: 256Hz, max
11	EINT5_POL	Activation type of the EINT source 0: Negative polarity 1: Positive polarity
10:0	EINT5_CNT	De-bounce duration in terms of numbers of 32768Hz clock cycles. The cycle length is determined by PRESCALER

81040180 EINT6_CON EINT 6 De-bounce Control Register 00000000

Bit	31	30	29	28	27	26	25	24	23	22	21	20	19	18	17	16
Name																
Type																
Reset																

Bit	15	14	13	12	11	10	9	8	7	6	5	4	3	2	1	0
Name	EINT6_EN	EINT6_PRESCALER			EINT6_POL	EINT6_CNT										
Type	RW	RW			RW	RW										
Reset	0	0	0	0	0	0	0	0	0	0	0	0	0	0	0	0

Bit(s)	Name	Description
15	EINT6_EN	De-bounce control circuit 0: Disable 1: Enable
14:12	EINT6_PRESCALER	Determine the clock cycle period for debounce count. 3'b000: 32768Hz, max 3'b001: 16384Hz 3'b010: 8192Hz 3'b011: 4096Hz 3'b100: 2048Hz, max 3'b101: 1024Hz 3'b110: 512Hz 3'b111: 256Hz, max
11	EINT6_POL	Activation type of the EINT source 0: Negative polarity 1: Positive polarity
10:0	EINT6_CNT	De-bounce duration in terms of numbers of 32768Hz clock cycles. The cycle length is determined by PRESCALER

81040190 EINT7_CON EINT 7 De-bounce Control Register 00000000

Bit	31	30	29	28	27	26	25	24	23	22	21	20	19	18	17	16
Name																
Type																
Reset																
Bit	15	14	13	12	11	10	9	8	7	6	5	4	3	2	1	0
Name	EINT7_EN	EINT7_PRESCALER			EINT7_POL	EINT7_CNT										
Type	RW	RW			RW	RW										
Reset	0	0	0	0	0	0	0	0	0	0	0	0	0	0	0	0

Bit(s)	Name	Description
15	EINT7_EN	De-bounce control circuit 0: Disable 1: Enable
14:12	EINT7_PRESCALER	Determine the clock cycle period for debounce count. 3'b000: 32768Hz, max 3'b001: 16384Hz 3'b010: 8192Hz

Bit(s)	Name	Description
11	EINT7_POL	3'b011: 4096Hz 3'b100: 2048Hz, max 3'b101: 1024Hz 3'b110: 512Hz 3'b111: 256Hz, max Activation type of the EINT source 0: Negative polarity 1: Positive polarity
10:0	EINT7_CNT	De-bounce duration in terms of numbers of 32768Hz clock cycles. The cycle length is determined by PRESCALER

810401A0 EINT8 CON EINT 8 De-bounce Control Register 00000000

Bit	31	30	29	28	27	26	25	24	23	22	21	20	19	18	17	16
Name																
Type																
Reset																
Bit	15	14	13	12	11	10	9	8	7	6	5	4	3	2	1	0
Name	EINT8_EN	EINT8_PRESCALER			EINT8_POL	EINT8_CNT										
Type	RW	RW			RW	RW										
Reset	0	0	0	0	0	0	0	0	0	0	0	0	0	0	0	0

Bit(s)	Name	Description
15	EINT8_EN	De-bounce control circuit 0: Disable 1: Enable
14:12	EINT8_PRESCALER	Determine the clock cycle period for debounce count. 3'b000: 32768Hz, max 3'b001: 16384Hz 3'b010: 8192Hz 3'b011: 4096Hz 3'b100: 2048Hz, max 3'b101: 1024Hz 3'b110: 512Hz 3'b111: 256Hz, max
11	EINT8_POL	Activation type of the EINT source 0: Negative polarity 1: Positive polarity
10:0	EINT8_CNT	De-bounce duration in terms of numbers of 32768Hz clock cycles. The cycle length is determined by PRESCALER

810401B0 EINT9 CON EINT 9 De-bounce Control Register 00000000

Bit	31	30	29	28	27	26	25	24	23	22	21	20	19	18	17	16
-----	----	----	----	----	----	----	----	----	----	----	----	----	----	----	----	----

Name																
Type																
Reset																
Bit	15	14	13	12	11	10	9	8	7	6	5	4	3	2	1	0
Name	EINT9_EN	EINT9_PRESCALER			EINT9_POL	EINT9_CNT										
Type	RW	RW			RW	RW										
Reset	0	0	0	0	0	0	0	0	0	0	0	0	0	0	0	0

Bit(s)	Name	Description
15	EINT9_EN	De-bounce control circuit 0: Disable 1: Enable
14:12	EINT9_PRESCALER	Determine the clock cycle period for debounce count. 3'b000: 32768Hz, max 3'b001: 16384Hz 3'b010: 8192Hz 3'b011: 4096Hz 3'b100: 2048Hz, max 3'b101: 1024Hz 3'b110: 512Hz 3'b111: 256Hz, max
11	EINT9_POL	Activation type of the EINT source 0: Negative polarity 1: Positive polarity
10:0	EINT9_CNT	De-bounce duration in terms of numbers of 32768Hz clock cycles. The cycle length is determined by PRESCALER

810401Co EINTA_CON EINT A De-bounce Control Register 00000000

Bit	31	30	29	28	27	26	25	24	23	22	21	20	19	18	17	16
Name																
Type																
Reset																
Bit	15	14	13	12	11	10	9	8	7	6	5	4	3	2	1	0
Name	EINTA_EN	EINTA_PRESCALER			EINTA_POL	EINTA_CNT										
Type	RW	RW			RW	RW										
Reset	0	0	0	0	0	0	0	0	0	0	0	0	0	0	0	0

Bit(s)	Name	Description
15	EINTA_EN	De-bounce control circuit 0: Disable

Bit(s)	Name	Description
14:12	EINTA_PRESCALER	1: Enable Determine the clock cycle period for debounce count. 3'b000: 32768Hz, max 3'b001: 16384Hz 3'b010: 8192Hz 3'b011: 4096Hz 3'b100: 2048Hz, max 3'b101: 1024Hz 3'b110: 512Hz 3'b111: 256Hz, max
11	EINTA_POL	Activation type of the EINT source 0: Negative polarity 1: Positive polarity
10:0	EINTA_CNT	De-bounce duration in terms of numbers of 32768Hz clock cycles. The cycle length is determined by PRESCALER

810401Do EINTB_CON EINT A De-bounce Control Register 00000000

Bit	31	30	29	28	27	26	25	24	23	22	21	20	19	18	17	16
Name																
Type																
Reset																
Bit	15	14	13	12	11	10	9	8	7	6	5	4	3	2	1	0
Name	EINTB_EN	EINTB_PRESCALER			EINTB_POL	EINTB_CNT										
Type	RW	RW			RW	RW										
Reset	0	0	0	0	0	0	0	0	0	0	0	0	0	0	0	0

Bit(s)	Name	Description
15	EINTB_EN	De-bounce control circuit 0: Disable 1: Enable
14:12	EINTB_PRESCALER	Determine the clock cycle period for debounce count. 3'b000: 32768Hz, max 3'b001: 16384Hz 3'b010: 8192Hz 3'b011: 4096Hz 3'b100: 2048Hz, max 3'b101: 1024Hz 3'b110: 512Hz 3'b111: 256Hz, max
11	EINTB_POL	Activation type of the EINT source 0: Negative polarity 1: Positive polarity
10:0	EINTB_CNT	De-bounce duration in terms of numbers of 32768Hz clock cycles. The cycle length is determined by PRESCALER

810401E0 EINTC_CON EINT A De-bounce Control Register 00000000

Bit	31	30	29	28	27	26	25	24	23	22	21	20	19	18	17	16
Name																
Type																
Reset																
Bit	15	14	13	12	11	10	9	8	7	6	5	4	3	2	1	0
Name	EINTC_EN	EINTC_PRESCALER			EINTC_POL	EINTC_CNT										
Type	RW	RW			RW	RW										
Reset	0	0	0	0	0	0	0	0	0	0	0	0	0	0	0	0

Bit(s)	Name	Description
15	EINTC_EN	De-bounce control circuit 0: Disable 1: Enable
14:12	EINTC_PRESCALER	Determine the clock cycle period for debounce count. 3'b000: 32768Hz, max 3'b001: 16384Hz 3'b010: 8192Hz 3'b011: 4096Hz 3'b100: 2048Hz, max 3'b101: 1024Hz 3'b110: 512Hz 3'b111: 256Hz, max
11	EINTC_POL	Activation type of the EINT source 0: Negative polarity 1: Positive polarity
10:0	EINTC_CNT	De-bounce duration in terms of numbers of 32768Hz clock cycles. The cycle length is determined by PRESCALER

810401F0 EINTD_CON EINT A De-bounce Control Register 00000000

Bit	31	30	29	28	27	26	25	24	23	22	21	20	19	18	17	16
Name																
Type																
Reset																
Bit	15	14	13	12	11	10	9	8	7	6	5	4	3	2	1	0
Name	EINTD_EN	EINTD_PRESCALER			EINTD_POL	EINTD_CNT										
Type	RW	RW			RW	RW										
Reset	0	0	0	0	0	0	0	0	0	0	0	0	0	0	0	0

Bit(s)	Name	Description
15	EINTD_EN	De-bounce control circuit 0: Disable 1: Enable
14:12	EINTD_PRESCALER	Determine the clock cycle period for debounce count. 3'b000: 32768Hz, max 3'b001: 16384Hz 3'b010: 8192Hz 3'b011: 4096Hz 3'b100: 2048Hz, max 3'b101: 1024Hz 3'b110: 512Hz 3'b111: 256Hz, max
11	EINTD_POL	Activation type of the EINT source 0: Negative polarity 1: Positive polarity
10:0	EINTD_CNT	De-bounce duration in terms of numbers of 32768Hz clock cycles. The cycle length is determined by PRESCALER

2.7 Wi-Fi Subsystem

2.7.1 Wi-Fi MAC

MT76x7 MAC supports the following features:

- Supports all data rates of 802.11a (MT7697, MT7697D), 802.11g including 6, 9, 12, 18, 24, 36, 48, and 54Mbps
- Supports short GI and all data rates of 802.11n including MCS0 to MCS7
- 802.11 to 802.3 header translation offload
- RX TCP/UDP/IP checksum offload
- Supports multiple concurrent clients as an access point
- Supports multiple concurrent clients as a repeater
- Aggregate MPDU RX (de-aggregation) and TX (aggregation) support
- Transmits beamforming as a beamformee
- Transmits rate adaptation
- Transmits power control
- Security
- 64-bit WEP (WEP-40) and 128-bit WEP (WEP-104) encryption with hardware TKIP and CKIP processing
- AES-CCMP hardware processing
- SMS4-WPI (WAPI) hardware processing

2.7.2 WLAN Baseband

MT76x7 baseband supports the following features:

- 20 and 40MHz channels
- MCS0-7 (BPSK, $r=1/2$ through 64QAM, $r=5/6$)
- Short Guard Interval
- STBC support
- Low Density Parity check (LDPC) coding
- Support digital pre-distortion to enhance PA performance
- Smoothing (channel estimation) extension to MIMO case

2.7.3 WLAN RF

MT7697D RF supports the following features:

- Integrated 2.4GHz/5GHz PA and LNA, and T/R switch
- Integrated 5GHz Balun
- Support frequency band
 - 2400-2497MHz
 - 5150-5350MHz
 - 5470-5725MHz
 - 5725-5850MHz
 - 5850-5925MHz
- Support RX antenna diversity for both 2.4GHz/5GHz band to eliminate the requirement of an external SPDT

MT7697 and MT7687F RF support the following features:

- Integrated 2.4GHz PA and LNA, and T/R switch
- Support frequency band
 - 2400-2497MHz
- Support RX antenna diversity for both 2.4GHz band to eliminate the requirement of an external SPDT

2.8 Bluetooth Subsystem

MT7697 and MT7697D Bluetooth supports the following features:

- Bluetooth v4.2 + LE compliance
- Bluetooth and Bluetooth low energy dual mode
- Single-ended, RF port with integrated Balun and T/R switch
- Integrated high efficiency PA
- Baseband and radio BDR packet type: 1Mbps (GFSK).
- Fully functional Bluetooth baseband: AFH, forward error correction, header error control, access code correlation, CRC, whitening.
- Standard pairing, authentication, link key, and encryption operation.
- Standard power saving mechanisms: sniff mode and sniff-subracting.
- Interlaced scan for faster connection setup
- Full master and slave piconet support
- Up to seven simultaneous active ACL connections with background inquiry and page scan

- Scatternet support
- Channel quality driven data rate control

2.9 RTC

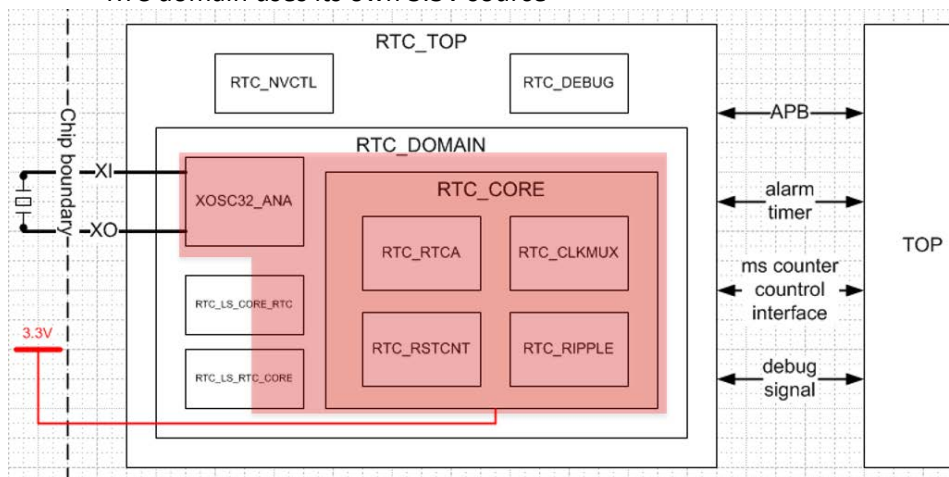
MT76X7 features one RTC (Real Time Clock) module. The clock source is the 32.768 KHz Crystal or an external clock source. RTC has built in an accurate timer to wake up the system when it expires.

RTC uses a different power rail from PMU. In the hibernate mode, the PMU is turned off while the RTC module is remained powered on. The RTC module only consumes 3uA in hibernate mode.

RTC has a dedicated PMU control pin PMU_EN_RTC (pin 23) used to turn on the power to the chip when the RTC timer expires and turn off the power to the chip when it intends to enter the hibernate mode.

2.9.1 Main functions:

- a. Real-Time Clock
 - Year, month, day, hour, minute, second
- b. Alarm
 - Year, month, day, hour, minute, second, each with an enable bit
 - Alarm time can be over 100 years with all options enabled
- c. Timer
 - With 1/32 sec (31.25ms) precision
 - Down count value can be up to 2048 seconds
- d. Independent power supply
 - RTC domain uses its own 3.3V source



- Protecting mechanism is applied when core is powered down
- e. External PMU_EN signal control
 - Can power core down as SW sets specific CR
 - Can also power core up when specific criteria is met

2.9.2 Power Up/Down Flow

- f. RTC power up –
 - 1) XTAL clock starts oscillating

- 2) De-bounce circuit is stabilized
- 3) RTC is ready to be accessed
- 4) MCU needs to set all the protection CRs to the correct value, otherwise all the RTC functions are disabled
- 5) RTC starts functioning
- b. Core power down –
 - 1) MCU sets the alarm/timer to a proper value
 - 2) MCU sets the PMU-disabling CR to de-assert PMU_EN
 - 3) Core is then powered down while RTC will be still functioning
- c. Core power up –
 - 1) The wake up criteria is triggered (alarm/timer/external event)
 - 2) RTC asserts PMU_EN
 - 3) Core is then powered up

2.9.3 Register Definitions

Module name: MT7637_RTC Base address: (+830c0000h)

Address	Name	Width	Register Function
830C0004	<u>RTC_PWRCHK1</u>	8	RTC power ready check1
830C0008	<u>RTC_PWRCHK2</u>	8	RTC power ready check2
830C000C	<u>RTC_KEY</u>	8	RTC security-check protection key
830C0010	<u>RTC_PROT1</u>	8	RTC security-check protection write test 1
830C0014	<u>RTC_PROT2</u>	8	RTC security-check protection write test 2
830C0018	<u>RTC_PROT3</u>	8	RTC security-check protection write test 3
830C001C	<u>RTC_PROT4</u>	8	RTC security-check protection write test 4
830C0020	<u>RTC_CTL</u>	8	RTC internal control registers
830C0024	<u>RTC_LPD_CTL</u>	8	RTC low power detection
830C0028	<u>RTC_XOSC_CFG</u>	8	RTC XOSC control registers
830C002C	<u>RTC_DEBNCE</u>	8	RTC de-bounce control
830C0030	<u>RTC_PMU_EN</u>	8	RTC PMU_EN control
830C003C	<u>RTC_WAVEOUT</u>	8	RTC waveout for internal test
830C0040	<u>RTC_TC_YEA</u>	8	RTC time counter year
830C0044	<u>RTC_TC_MON</u>	8	RTC time counter month
830C0048	<u>RTC_TC_DOM</u>	8	RTC time counter day of month
830C004C	<u>RTC_TC_DOW</u>	8	RTC time counter day of week
830C0050	<u>RTC_TC_HOU</u>	8	RTC time counter hour
830C0054	<u>RTC_TC_MIN</u>	8	RTC time counter minute
830C0058	<u>RTC_TC_SEC</u>	8	RTC time counter second
830C0060	<u>RTC_AL_YEAR</u>	8	RTC alarm year
830C0064	<u>RTC_AL_MON</u>	8	RTC alarm month
830C0068	<u>RTC_AL_DOM</u>	8	RTC alarm day of month
830C006C	<u>RTC_AL_DOW</u>	8	RTC alarm day of week

Address	Name	Width	Register Function
830C0070	<u>RTC AL HOUR</u>	8	RTC alarm hour
830C0074	<u>RTC AL MIN</u>	8	RTC alarm minute
830C0078	<u>RTC AL SEC</u>	8	RTC alarm second
830C007C	<u>RTC AL CTL</u>	8	RTC alarm control
830C0080	<u>RTC RIP CTL</u>	8	RTC ripple counter read control
830C0084	<u>RTC RIP CNTH</u>	8	RTC ripple counter bits [14:8]
830C0088	<u>RTC RIP CNTL</u>	8	RTC ripple counter bits [7:0]
830C0090	<u>RTC TIMER CTL</u>	8	RTC timer function control
830C0094	<u>RTC TIMER CNTH</u>	8	RTC timer count bits [15:8]
830C0098	<u>RTC TIMER CNTL</u>	8	RTC timer count bits [7:0]
830C00C0	<u>RTC SPARE0</u>	8	RTC spare registers 0
830C00C4	<u>RTC SPARE1</u>	8	RTC spare registers 1
830C00C8	<u>RTC SPARE2</u>	8	RTC spare registers 2
830C00CC	<u>RTC SPARE3</u>	8	RTC spare registers 3
830C00D0	<u>RTC SPARE4</u>	8	RTC spare registers 4
830C00D4	<u>RTC SPARE5</u>	8	RTC spare registers 5
830C00D8	<u>RTC SPARE6</u>	8	RTC spare registers 6
830C00DC	<u>RTC SPARE7</u>	8	RTC spare registers 7
830C00E0	<u>RTC SPARE8</u>	8	RTC spare registers 8
830C00E4	<u>RTC SPARE9</u>	8	RTC spare registers 9
830C00E8	<u>RTC SPARE10</u>	8	RTC spare registers 10
830C00EC	<u>RTC SPARE11</u>	8	RTC spare registers 11
830C00F0	<u>RTC SPARE12</u>	8	RTC spare registers 12
830C00F4	<u>RTC SPARE13</u>	8	RTC spare registers 13
830C00F8	<u>RTC SPARE14</u>	8	RTC spare registers 14
830C00FC	<u>RTC SPARE15</u>	8	RTC spare registers 15
830C0100	<u>RTC COREPDN</u>	8	Core domain power down indicator
830C0104	<u>MSTIME3</u>	8	Correlator MS counter bit[31:24]
830C0108	<u>MSTIME2</u>	8	Correlator MS counter bit[23:16]
830C010C	<u>MSTIME1</u>	8	Correlator MS counter bit[15:8]
830C0110	<u>MSTIME0</u>	8	Correlator MS counter bit[7:0]
830C0114	<u>SUBMSTIME1</u>	8	Correlator SUBMS counter bit[14:8]
830C0118	<u>SUBMSTIME0</u>	8	Correlator SUBMS counter bit[7:0]
830C011C	<u>MSDIFF3</u>	8	MS counter difference bit[31:24]
830C0120	<u>MSDIFF2</u>	8	MS counter difference bit[23:16]
830C0124	<u>MSDIFF1</u>	8	MS counter difference bit[15:8]
830C0128	<u>MSDIFF0</u>	8	MS counter difference bit[7:0]
830C012C	<u>SUBMSDIFF1</u>	8	SUBMS counter difference bit[14:8]
830C0130	<u>SUBMSDIFF0</u>	8	SUBMS counter difference bit[7:0]

Address	Name	Width	Register Function
830C0134	<u>MSTIMEMOD</u>	8	Correlator ms time modification control
830C0140	<u>RTC_BACKUP00</u>	32	RTC backup memory 00
830C0144	<u>RTC_BACKUP01</u>	32	RTC backup memory 01
830C0148	<u>RTC_BACKUP02</u>	32	RTC backup memory 02
830C014C	<u>RTC_BACKUP03</u>	32	RTC backup memory 03
830C0150	<u>RTC_BACKUP04</u>	32	RTC backup memory 04
830C0154	<u>RTC_BACKUP05</u>	32	RTC backup memory 05
830C0158	<u>RTC_BACKUP06</u>	32	RTC backup memory 06
830C015C	<u>RTC_BACKUP07</u>	32	RTC backup memory 07
830C0160	<u>RTC_BACKUP08</u>	32	RTC backup memory 08
830C0164	<u>RTC_BACKUP09</u>	32	RTC backup memory 09
830C0168	<u>RTC_BACKUP10</u>	32	RTC backup memory 10
830C016C	<u>RTC_BACKUP11</u>	32	RTC backup memory 11
830C0170	<u>RTC_BACKUP12</u>	32	RTC backup memory 12
830C0174	<u>RTC_BACKUP13</u>	32	RTC backup memory 13
830C0178	<u>RTC_BACKUP14</u>	32	RTC backup memory 14
830C017C	<u>RTC_BACKUP15</u>	32	RTC backup memory 15
830C0180	<u>RTC_BACKUP16</u>	32	RTC backup memory 16
830C0184	<u>RTC_BACKUP17</u>	32	RTC backup memory 17
830C0188	<u>RTC_BACKUP18</u>	32	RTC backup memory 18
830C018C	<u>RTC_BACKUP19</u>	32	RTC backup memory 19
830C0190	<u>RTC_BACKUP20</u>	32	RTC backup memory 20
830C0194	<u>RTC_BACKUP21</u>	32	RTC backup memory 21
830C0198	<u>RTC_BACKUP22</u>	32	RTC backup memory 22
830C019C	<u>RTC_BACKUP23</u>	32	RTC backup memory 23
830C01A0	<u>RTC_BACKUP24</u>	32	RTC backup memory 24
830C01A4	<u>RTC_BACKUP25</u>	32	RTC backup memory 25
830C01A8	<u>RTC_BACKUP26</u>	32	RTC backup memory 26
830C01AC	<u>RTC_BACKUP27</u>	32	RTC backup memory 27
830C01B0	<u>RTC_BACKUP28</u>	32	RTC backup memory 28
830C01B4	<u>RTC_BACKUP29</u>	32	RTC backup memory 29
830C01B8	<u>RTC_BACKUP30</u>	32	RTC backup memory 30
830C01BC	<u>RTC_BACKUP31</u>	32	RTC backup memory 31
830C01C0	<u>RTC_BACKUP32</u>	32	RTC backup memory 32
830C01C4	<u>RTC_BACKUP33</u>	32	RTC backup memory 33
830C01C8	<u>RTC_BACKUP34</u>	32	RTC backup memory 34
830C01CC	<u>RTC_BACKUP35</u>	32	RTC backup memory 35

830C0004 RTC_PWRCHK1 RTC power ready check1 00000000

Bit	31	30	29	28	27	26	25	24	23	22	21	20	19	18	17	16
Name																
Type																
Reset																
Bit	15	14	13	12	11	10	9	8	7	6	5	4	3	2	1	0
Name									PWRCHK1							
Type									RW							
Reset									0	0	0	0	0	0	0	0

Bit(s)	Name	Description
7:0	PWRCHK1	RTC power ready check 1 (0xC6)

830C0008 RTC_PWRCHK2 RTC power ready check2 00000000

Bit	31	30	29	28	27	26	25	24	23	22	21	20	19	18	17	16
Name																
Type																
Reset																
Bit	15	14	13	12	11	10	9	8	7	6	5	4	3	2	1	0
Name									PWRCHK2							
Type									RW							
Reset									0	0	0	0	0	0	0	0

Bit(s)	Name	Description
7:0	PWRCHK2	RTC power ready check 2 (0x9A)

830C000C RTC_KEY RTC security-check protection key 00000000

Bit	31	30	29	28	27	26	25	24	23	22	21	20	19	18	17	16
Name																
Type																
Reset																
Bit	15	14	13	12	11	10	9	8	7	6	5	4	3	2	1	0
Name									RTCKEY							
Type									RW							
Reset									0	0	0	0	0	0	0	0

Bit(s)	Name	Description
7:0	RTCKEY	RTC write protection KEY (0x59)

830C0010 RTC_PROT1 RTC security-check protection 00000000
write test 1

Bit	31	30	29	28	27	26	25	24	23	22	21	20	19	18	17	16
Name																
Type																
Reset																
Bit	15	14	13	12	11	10	9	8	7	6	5	4	3	2	1	0
Name									RTCPROT1							
Type									RW							
Reset									0	0	0	0	0	0	0	0

Bit(s)	Name	Description
7:0	RTCPROT1	RTC security-check protection write test 1 (0xA3)

830C0014 RTC_PROT2 RTC security-check protection 00000000
write test 2

Bit	31	30	29	28	27	26	25	24	23	22	21	20	19	18	17	16
Name																
Type																
Reset																
Bit	15	14	13	12	11	10	9	8	7	6	5	4	3	2	1	0
Name									RTCPROT2							
Type									RW							
Reset									0	0	0	0	0	0	0	0

Bit(s)	Name	Description
7:0	RTCPROT2	RTC security-check protection write test 2 (0x57)

830C0018 RTC_PROT3 RTC security-check protection 00000000
write test 3

Bit	31	30	29	28	27	26	25	24	23	22	21	20	19	18	17	16
Name																

e																		
Type																		
Reset																		
Bit	15	14	13	12	11	10	9	8	7	6	5	4	3	2	1	0		
Name									RTCPROT3									
Type									RW									
Reset									0	0	0	0	0	0	0	0		

Bit(s)	Name	Description
7:0	RTCPROT3	RTC security-check protection write test 3 (0x67)

830C001C RTC_PROT4 RTC security-check protection 00000000
write test 4

Bit	31	30	29	28	27	26	25	24	23	22	21	20	19	18	17	16		
Name																		
Type																		
Reset																		
Bit	15	14	13	12	11	10	9	8	7	6	5	4	3	2	1	0		
Name									RTCPROT4									
Type									RW									
Reset									0	0	0	0	0	0	0	0		

Bit(s)	Name	Description
7:0	RTCPROT4	RTC security-check protection write test 4 (0xD2)

830C0020 RTC_CTL RTC internal control registers 00000000

Bit	31	30	29	28	27	26	25	24	23	22	21	20	19	18	17	16
Name																
Type																
Reset																
Bit	15	14	13	12	11	10	9	8	7	6	5	4	3	2	1	0
Name									DE BN CE _O K	IN HI BIT		PR OT _P AS S	KE Y_ PA SS	PW R_ PA SS	SI M_ RT C	RC _S TO P
Type									RU	RU		RU	RU	RU	RW	RW
Reset									0	0		0	0	0	0	0

Bit(s)	Name	Description
7	DEBNCE_OK	De-bounce period finish indicator 0: RTC is still de-bouncing. 1: RTC de-bounce ready.
6	INHIBIT	Inhibit status indicator. Before reading the registers of YEAR, MONTH, WEEK, DAY, HOUR, MIN, and SEC, read this bit first. If timer is enabled, this bit must also be checked before writing or reading the registers of TIMERCTL, TIMERH, and TIMERL. 0: UP is OK to read/write RTC 1: RTC is updating RTC clock, inhibit UP write timer related registers and read following command YEAR, MONTH, WEEK, DAY, HOUR, MIN, SEC, TIMERCTL, TIMERH, and TIMERL.
4	PROT_PASS	RTC security-check protection 0: Fail to pass RTC security-check protection. 1: Pass RTC security check protection.
3	KEY_PASS	RTC write protection key check 0: Fail to pass RTC write protection. 1: Pass RTC write protection.
2	PWR_PASS	RTC power stable check 0: Fail to pass RTC power stable check. 1: Pass RTC power stable check.
1	SIM_RTC	For RTC simulation 0: Normal operation, divided clock = 1Hz 1: Simulation, divided clock = 39.0625Hz
0	RC_STOP	Stop the ripple counter 0: normal operation. 1: stop and reset ripple counter.

830C0024 RTC LPD_CTL RTC low power detection 00000000

Bit	31	30	29	28	27	26	25	24	23	22	21	20	19	18	17	16
Name																
Type																
Reset																
Bit	15	14	13	12	11	10	9	8	7	6	5	4	3	2	1	0
Name																
Type																
Reset																

Bit(s) Name Description

830C0028 RTC XOSC_CFG RTC XOSC control registers 00000007

Bit	31	30	29	28	27	26	25	24	23	22	21	20	19	18	17	16
Name																

Type																
Reset																
Bit	15	14	13	12	11	10	9	8	7	6	5	4	3	2	1	0
Name									OSCPDN		AMPCTL_EN	AMP_GSEL	OSCCALI			
Type									RW		RW	RW	RW			
Reset									0		0	0	0	1	1	1

Bit(s)	Name	Description
7	OSCPDN	Clock 32K Power down control 0: Normal operation 1: Power down 32k clock
5	AMPCTL_EN	Amplitude control function enable
4	AMP_GSEL	Amplitude control loop gain select
3:0	OSCCALI	Clock 32K PAD drive control 0000: 0001: 0010: 0011: 0100: 0101: 0110: 0111: 1000: 1001: 1010: 1011: 1100: 1101: 1110: 1111:

830C002C RTC_DEBNCE **RTC de-bounce control** **00000003**

Bit	31	30	29	28	27	26	25	24	23	22	21	20	19	18	17	16
Name																
Type																
Reset																
Bit	15	14	13	12	11	10	9	8	7	6	5	4	3	2	1	0
Name										RTC_DMY					DEBOUNCE	
Type										RW					RW	
Reset									0	0	0	0	0	0	1	1

Bit(s)	Name	Description
7:3	RTC_DMY	Dummy registers for ECO purpose

Bit(s)	Name	Description
2:0	DEBOUNCE	<p>RTC de-bounce time setting This duration prevent abnormal write during losing core power 000: Wait $2^5-1 \sim 2^5$ cycle of RTC clock 001: Wait $2^6-4 \sim 2^6$ cycle of RTC clock 010: Wait $2^8-2^4 \sim 2^8$ cycle of RTC clock 011: Wait $2^{10}-2^6 \sim 2^{10}$ cycle of RTC clock 100: Wait $2^{12}-2^8 \sim 2^{12}$ cycle of RTC clock 101: Wait $2^{13}-2^9 \sim 2^{13}$ cycle of RTC clock 110: Wait $2^{14}-2^{10} \sim 2^{14}$ cycle of RTC clock 111: Wait $2^{15}-2^{11} \sim 2^{15}$ cycle of RTC clock Default value of DEBOUNCE[2:0] before passing RTC security check is 3'b011. This register must be setup after passing RTC security check.</p>

830C0030 RTC PMU_EN						RTC PMU_EN control						000000F				
Bit	31	30	29	28	27	26	25	24	23	22	21	20	19	18	17	16
Name																
Type																
Reset																
Bit	15	14	13	12	11	10	9	8	7	6	5	4	3	2	1	0
Name											TIMER_STA	ALARM_STA	PMU_EN_STATE		PMU_EN_EXT	PMU_EN
Type											W1C	W1C	RO		RO	RW
Reset											0	0	1	1	1	1

Bit(s)	Name	Description
5	TIMER_STA	Interrupt Status of timer, asserted with timer_hit Write 1 to clear this bit
4	ALARM_STA	Interrupt Status of alarm, asserted with alarm_hit Write 1 to clear this bit
3:2	PMU_EN_STATE	State Machine controlling PMU Enable signals 11: PMU is enabled 10: PMU is about to be disabled 00: PMU is disabled
1	PMU_EN_EXT	PMU Enable signal sent to external power switch 1: rtc_pmu_en_ext is high 0: rtc_pmu_en_ext is low
0	PMU_EN	PMU Enable signal sent to PMU Write 0 to disable PMU_EN, and PMU_EN_EXT will be disabled afterwards Write 1 to enable both PMU_EN and PMU_EN_EXT at the same time 1: rtc_pmu_en is high 0: rtc_pmu_en is low

830C003C RTC WAVEOUT RTC waveout for internal test 00000000

Bit	31	30	29	28	27	26	25	24	23	22	21	20	19	18	17	16
Name																
Type																
Reset																
Bit	15	14	13	12	11	10	9	8	7	6	5	4	3	2	1	0
Name												WAVEOUT_EN	WAVEOUT_SEL			
Type												RW	RW			
Reset												0	0	0	0	0

Bit(s)	Name	Description
4	WAVEOUT_EN	RTC debug clock output enable 0: waveout = 0 1: Enable waveout signal output.
3:0	WAVEOUT_SEL	RTC debug clock output select 0000: ripple counter [14] 0001: ripple counter [13] 0010: ripple counter [12] 0011: ripple counter [11] 0100: ripple counter [10] 0101: ripple counter [9] 0110: ripple counter [8] 0111: ripple counter [7] 1000: ripple counter [6] 1001: ripple counter [5] 1010: ripple counter [4] 1011: ripple counter [3] 1100: ripple counter [2] 1101: ripple counter [1] 1110: ripple counter [0] 1111: 32K clock output

830C0040 RTC TC YEA RTC time counter year 00000000

Bit	31	30	29	28	27	26	25	24	23	22	21	20	19	18	17	16
Name																
Type																
Reset																
Bit	15	14	13	12	11	10	9	8	7	6	5	4	3	2	1	0
Name										YEAR						
Type										RW						
Reset										0	0	0	0	0	0	0

Bit(s)	Name	Description
6:0	YEAR	Year. Value: 0x0 ~ 0x63 (0 ~ 99)

830C0044 RTC TC MON **RTC time counter month** **00000001**

Bit	31	30	29	28	27	26	25	24	23	22	21	20	19	18	17	16
Name																
Type																
Reset																
Bit	15	14	13	12	11	10	9	8	7	6	5	4	3	2	1	0
Name													MONTH			
Type													RW			
Reset													0	0	0	1

Bit(s)	Name	Description
3:0	MONTH	Month. Value: 0x1 ~ 0xc (1 ~ 12)

830C0048 RTC TC DOM **RTC time counter day of month** **00000001**

Bit	31	30	29	28	27	26	25	24	23	22	21	20	19	18	17	16	
Name																	
Type																	
Reset																	
Bit	15	14	13	12	11	10	9	8	7	6	5	4	3	2	1	0	
Name													DOM				
Type													RW				
Reset													0	0	0	0	1

Bit(s)	Name	Description
4:0	DOM	Day of month. Value: 0x1 ~ 0x1f (1 ~ 31)

830C004C RTC TC DOW **RTC time counter day of week** **00000000**

Bit	31	30	29	28	27	26	25	24	23	22	21	20	19	18	17	16
Name																
Type																

Reset																
Bit	15	14	13	12	11	10	9	8	7	6	5	4	3	2	1	0
Name														DOW		
Type														RW		
Reset														0	0	0

Bit(s)	Name	Description
2:0	DOW	Day of week. Value: 0~6

830C0050 RTC TC HOU **RTC time counter hour** **00000000**

Bit	31	30	29	28	27	26	25	24	23	22	21	20	19	18	17	16
Name																
Type																
Reset																
Bit	15	14	13	12	11	10	9	8	7	6	5	4	3	2	1	0
Name												HOUR				
Type												RW				
Reset												0	0	0	0	0

Bit(s)	Name	Description
4:0	HOUR	Hour. Value: 0x0 ~ 0x17 (0 ~ 23)

830C0054 RTC TC MIN **RTC time counter minute** **00000000**

Bit	31	30	29	28	27	26	25	24	23	22	21	20	19	18	17	16
Name																
Type																
Reset																
Bit	15	14	13	12	11	10	9	8	7	6	5	4	3	2	1	0
Name												MIN				
Type												RW				
Reset												0	0	0	0	0

Bit(s)	Name	Description
5:0	MIN	Minute.

Bit(s)	Name	Description
		Value: 0x0 ~ 0x3b (0 ~ 59)

830C0058 RTC TC SEC **RTC time counter second** **00000000**

Bit	31	30	29	28	27	26	25	24	23	22	21	20	19	18	17	16
Name																
Type																
Reset																
Bit	15	14	13	12	11	10	9	8	7	6	5	4	3	2	1	0
Name											SEC					
Type											RW					
Reset											0	0	0	0	0	0

Bit(s)	Name	Description
5:0	SEC	Second. Value: 0x0 ~ 0x3b (0 ~ 59)

830C0060 RTC AL YEAR **RTC alarm year** **00000000**

Bit	31	30	29	28	27	26	25	24	23	22	21	20	19	18	17	16
Name																
Type																
Reset																
Bit	15	14	13	12	11	10	9	8	7	6	5	4	3	2	1	0
Name											AYEAR					
Type											RW					
Reset											0	0	0	0	0	0

Bit(s)	Name	Description
6:0	AYEAR	Alarm year Value: 0x0 ~ 0x63 (0 ~ 99)

830C0064 RTC AL MON **RTC alarm month** **00000001**

Bit	31	30	29	28	27	26	25	24	23	22	21	20	19	18	17	16
Name																
Type																
Reset																

t																
Bit	15	14	13	12	11	10	9	8	7	6	5	4	3	2	1	0
Name													AMONTH			
Type													RW			
Reset													0	0	0	1

Bit(s)	Name	Description
3:0	AMONTH	Alarm month Value: 0x1 ~ 0xc (1 ~ 12)

830C0068 RTC_AL_DOM **RTC alarm day of month** **00000001**

Bit	31	30	29	28	27	26	25	24	23	22	21	20	19	18	17	16	
Name																	
Type																	
Reset																	
Bit	15	14	13	12	11	10	9	8	7	6	5	4	3	2	1	0	
Name													ADOM				
Type													RW				
Reset													0	0	0	0	1

Bit(s)	Name	Description
4:0	ADOM	Alarm day of month Value: 0x1 ~ 0x1f (1 ~ 31)

830C006C RTC_AL_DOW **RTC alarm day of week** **00000000**

Bit	31	30	29	28	27	26	25	24	23	22	21	20	19	18	17	16
Name																
Type																
Reset																
Bit	15	14	13	12	11	10	9	8	7	6	5	4	3	2	1	0
Name														ADOW		
Type														RW		
Reset														0	0	0

Bit(s)	Name	Description
2:0	ADOW	Alarm day of week. Value: 0~6

Bit(s)	Name	Description
--------	------	-------------

830C0070 RTC AL HOUR **RTC alarm hour** **00000000**

Bit	31	30	29	28	27	26	25	24	23	22	21	20	19	18	17	16
Name																
Type																
Reset																
Bit	15	14	13	12	11	10	9	8	7	6	5	4	3	2	1	0
Name												A HOUR				
Type												RW				
Reset												0	0	0	0	0

Bit(s)	Name	Description
4:0	A HOUR	Alarm hour. Value: 0x0 ~ 0x17 (0 ~ 23)

830C0074 RTC AL MIN **RTC alarm minute** **00000000**

Bit	31	30	29	28	27	26	25	24	23	22	21	20	19	18	17	16
Name																
Type																
Reset																
Bit	15	14	13	12	11	10	9	8	7	6	5	4	3	2	1	0
Name												A MIN				
Type												RW				
Reset											0	0	0	0	0	0

Bit(s)	Name	Description
5:0	A MIN	Alarm minute. Value: 0x0 ~ 0x3b (0 ~ 59)

830C0078 RTC AL SEC **RTC alarm second** **00000000**

Bit	31	30	29	28	27	26	25	24	23	22	21	20	19	18	17	16
Name																
Type																
Reset																

Bit	15	14	13	12	11	10	9	8	7	6	5	4	3	2	1	0
Name											ASEC					
Type											RW					
Reset											0	0	0	0	0	0

Bit(s)	Name	Description
5:0	ASEC	Alarm second. Value: 0x0 ~ 0x3b (0 ~ 59)

830C007C RTC_AL_CTL RTC alarm control 00000000

Bit	31	30	29	28	27	26	25	24	23	22	21	20	19	18	17	16
Name																
Type																
Reset																
Bit	15	14	13	12	11	10	9	8	7	6	5	4	3	2	1	0
Name									ALMYR	ALMMON	ALMDOM	ALMDOW	ALMHR	ALMMIN	ALMSEC	ALMEN
Type									RW	RW	RW	RW	RW	RW	RW	RW
Reset									0	0	0	0	0	0	0	0

Bit(s)	Name	Description
7	ALMYR	Alarm year enable 0: Alarm does not compare year. 1: Alarm compares year.
6	ALMMON	Alarm month enable 0: Alarm does not compare month. 1: Alarm compares month.
5	ALMDOM	Alarm day of month enable 0: Alarm does not compare day of month. 1: Alarm compares day of month.
4	ALMDOW	Alarm day of week enable 0: Alarm does not compare day of week. 1: Alarm compares day of week.
3	ALMHR	Alarm hour enable 0: Alarm does not compare hour. 1: Alarm compares hour.
2	ALMMIN	Alarm minute enable 0: Alarm does not compare minute. 1: Alarm compares minute.
1	ALMSEC	Alarm second enable 0: Alarm does not compare second. 1: Alarm compares second.
0	ALMEN	Alarm enable 0: Disable alarm. 1: Enable alarm.

830C0080 RTC RIP_CTL RTC ripple counter read control 00000000

Bit	31	30	29	28	27	26	25	24	23	22	21	20	19	18	17	16
Name																
Type																
Reset																
Bit	15	14	13	12	11	10	9	8	7	6	5	4	3	2	1	0
Name															RIP_RD_OK	RIP_TRG_RD
Type															RU	RW
Reset															0	0

Bit(s)	Name	Description
1	RIP_RD_OK	Ripple counter read status 0: RIP_CNT is not ready yet. 1: RIP_CNT is ready for read.
0	RIP_TRG_RD	Ripple counter read trigger signal It should be paired with RIP_RD_OK 0: clear RIP_RD_OK status 1: trigger read RTC ripple counter

830C0084 RTC RIP_CNTH RTC ripple counter bits [14:8] 00000000

Bit	31	30	29	28	27	26	25	24	23	22	21	20	19	18	17	16
Name																
Type																
Reset																
Bit	15	14	13	12	11	10	9	8	7	6	5	4	3	2	1	0
Name										RIP_CNT[14:8]						
Type										RU						
Reset										0	0	0	0	0	0	0

Bit(s)	Name	Description
6:0	RIP_CNT[14:8]	RTC ripple counter bit[14:8]

830C0088 RTC RIP_CNTL RTC ripple counter bits [7:0] 00000000

Bit	31	30	29	28	27	26	25	24	23	22	21	20	19	18	17	16
Name																

Type																
Reset																
Bit	15	14	13	12	11	10	9	8	7	6	5	4	3	2	1	0
Name									RIP_CNT[7:0]							
Type									RU							
Reset									0	0	0	0	0	0	0	0

Bit(s)	Name	Description
7:0	RIP_CNT[7:0]	RTC ripple counter bit[7:0]

830C0090 RTC_TIMER_CTL RTC timer function control 00000Do

Bit	31	30	29	28	27	26	25	24	23	22	21	20	19	18	17	16
Name																
Type																
Reset																
Bit	15	14	13	12	11	10	9	8	7	6	5	4	3	2	1	0
Name															TR_INTEN	
Type															RW	
Reset															0	

Bit(s)	Name	Description
1	TR_INTEN	Enable timer to generate internal interrupt 0: Disable timer interrupt. 1: Start to count down TIMER_CNT.

830C0094 RTC_TIMER_CNTH RTC timer count bits [15:8] 00000FF

Bit	31	30	29	28	27	26	25	24	23	22	21	20	19	18	17	16
Name																
Type																
Reset																
Bit	15	14	13	12	11	10	9	8	7	6	5	4	3	2	1	0
Name									TIMER_CNT[15:8]							
Type									RW							
Reset									1	1	1	1	1	1	1	1

Bit(s)	Name	Description
7:0	TIMER_CNT[15:8]	Timer count control bit[15:8] Count down every 1/32 sec. When TIMER_CNT equals to 0, assert internal interrupt or external pull down pad. Modify TIMER_CNT during TR_INTEN = 0 and TR_EXTEN = 0 in RTC_TIMER_CTL bit 1 and bit 0. If TR_INTEN = 1 or/and TR_EXTEN = 1, TIMER_CNT can read to show the countdown status.

830C0098 RTC_TIMER_CNTL RTC timer count bits [7:0] 000000FF

Bit	31	30	29	28	27	26	25	24	23	22	21	20	19	18	17	16
Name																
Type																
Reset																
Bit	15	14	13	12	11	10	9	8	7	6	5	4	3	2	1	0
Name									TIMER_CNT[7:0]							
Type									RW							
Reset									1	1	1	1	1	1	1	1

Bit(s)	Name	Description
7:0	TIMER_CNT[7:0]	Timer count control bit[7:0] Count down every 1/32 sec. When TIMER_CNT equals to 0, assert internal interrupt or external pull down pad. Modify TIMER_CNT during TR_INTEN = 0 and TR_EXTEN = 0 in RTC_TIMER_CTL bit 1 and bit 0. If TR_INTEN = 1 or/and TR_EXTEN = 1, TIMER_CNT can read to show the countdown status.

830C00C0 RTC_SPARE0 RTC spare registers 0 00000000

Bit	31	30	29	28	27	26	25	24	23	22	21	20	19	18	17	16
Name																
Type																
Reset																
Bit	15	14	13	12	11	10	9	8	7	6	5	4	3	2	1	0
Name									RTC_SPARE0							
Type									RW							
Reset									0	0	0	0	0	0	0	0

Bit(s)	Name	Description
7:0	RTC_SPARE0	RTC spare registers

830C00C4 RTC_SPARE1 **RTC spare registers 1** **00000000**

Bit	31	30	29	28	27	26	25	24	23	22	21	20	19	18	17	16
Name																
Type																
Reset																
Bit	15	14	13	12	11	10	9	8	7	6	5	4	3	2	1	0
Name									RTC_SPARE1							
Type									RW							
Reset									0	0	0	0	0	0	0	0

Bit(s)	Name	Description
7:0	RTC_SPARE1	RTC spare registers

830C00C8 RTC_SPARE2 **RTC spare registers 2** **00000000**

Bit	31	30	29	28	27	26	25	24	23	22	21	20	19	18	17	16
Name																
Type																
Reset																
Bit	15	14	13	12	11	10	9	8	7	6	5	4	3	2	1	0
Name									RTC_SPARE2							
Type									RW							
Reset									0	0	0	0	0	0	0	0

Bit(s)	Name	Description
7:0	RTC_SPARE2	RTC spare registers

830C00CC RTC_SPARE3 **RTC spare registers 3** **00000000**

Bit	31	30	29	28	27	26	25	24	23	22	21	20	19	18	17	16
Name																
Type																
Reset																
Bit	15	14	13	12	11	10	9	8	7	6	5	4	3	2	1	0
Name									RTC_SPARE3							
Type									RW							

Reset										0	0	0	0	0	0	0	0
--------------	--	--	--	--	--	--	--	--	--	---	---	---	---	---	---	---	---

Bit(s)	Name	Description
7:0	RTC_SPARE3	RTC spare registers

830C00D0 RTC_SPARE4 RTC spare registers 4 00000000

Bit	31	30	29	28	27	26	25	24	23	22	21	20	19	18	17	16
Name																
Type																
Reset																
Bit	15	14	13	12	11	10	9	8	7	6	5	4	3	2	1	0
Name									RTC_SPARE4							
Type									RW							
Reset									0	0	0	0	0	0	0	0

Bit(s)	Name	Description
7:0	RTC_SPARE4	RTC spare registers

830C00D4 RTC_SPARE5 RTC spare registers 5 00000000

Bit	31	30	29	28	27	26	25	24	23	22	21	20	19	18	17	16
Name																
Type																
Reset																
Bit	15	14	13	12	11	10	9	8	7	6	5	4	3	2	1	0
Name									RTC_SPARE5							
Type									RW							
Reset									0	0	0	0	0	0	0	0

Bit(s)	Name	Description
7:0	RTC_SPARE5	RTC spare registers

830C00D8 RTC_SPARE6 RTC spare registers 6 00000000

Bit	31	30	29	28	27	26	25	24	23	22	21	20	19	18	17	16
Name																

Type																
Reset																
Bit	15	14	13	12	11	10	9	8	7	6	5	4	3	2	1	0
Name									RTC_SPARE6							
Type									RW							
Reset									0	0	0	0	0	0	0	0

Bit(s)	Name	Description
7:0	RTC_SPARE6	RTC spare registers

830C00DC RTC_SPARE7 **RTC spare registers 7** **00000000**

Bit	31	30	29	28	27	26	25	24	23	22	21	20	19	18	17	16
Name																
Type																
Reset																
Bit	15	14	13	12	11	10	9	8	7	6	5	4	3	2	1	0
Name									RTC_SPARE7							
Type									RW							
Reset									0	0	0	0	0	0	0	0

Bit(s)	Name	Description
7:0	RTC_SPARE7	RTC spare registers

830C00E0 RTC_SPARE8 **RTC spare registers 8** **00000000**

Bit	31	30	29	28	27	26	25	24	23	22	21	20	19	18	17	16
Name																
Type																
Reset																
Bit	15	14	13	12	11	10	9	8	7	6	5	4	3	2	1	0
Name									RTC_SPARE8							
Type									RW							
Reset									0	0	0	0	0	0	0	0

Bit(s)	Name	Description
7:0	RTC_SPARE8	RTC spare registers

Bit(s)	Name	Description
--------	------	-------------

830C00E4 RTC_SPARE9 RTC spare registers 9 00000000

Bit	31	30	29	28	27	26	25	24	23	22	21	20	19	18	17	16
Name																
Type																
Reset																
Bit	15	14	13	12	11	10	9	8	7	6	5	4	3	2	1	0
Name									RTC_SPARE9							
Type									RW							
Reset									0	0	0	0	0	0	0	0

Bit(s)	Name	Description
7:0	RTC_SPARE9	RTC spare registers

830C00E8 RTC_SPARE10 RTC spare registers 10 00000000

Bit	31	30	29	28	27	26	25	24	23	22	21	20	19	18	17	16
Name																
Type																
Reset																
Bit	15	14	13	12	11	10	9	8	7	6	5	4	3	2	1	0
Name									RTC_SPARE10							
Type									RW							
Reset									0	0	0	0	0	0	0	0

Bit(s)	Name	Description
7:0	RTC_SPARE10	RTC spare registers

830C00EC RTC_SPARE11 RTC spare registers 11 00000000

Bit	31	30	29	28	27	26	25	24	23	22	21	20	19	18	17	16
Name																
Type																
Reset																
Bit	15	14	13	12	11	10	9	8	7	6	5	4	3	2	1	0
Name									RTC_SPARE11							

e																
Type	RW															
Reset											0	0	0	0	0	0

Bit(s)	Name	Description
7:0	RTC_SPARE11	RTC spare registers

830C00F0 RTC_SPARE12 RTC spare registers 12 00000000

Bit	31	30	29	28	27	26	25	24	23	22	21	20	19	18	17	16
Name																
Type																
Reset																
Bit	15	14	13	12	11	10	9	8	7	6	5	4	3	2	1	0
Name	RTC_SPARE12															
Type	RW															
Reset											0	0	0	0	0	0

Bit(s)	Name	Description
7:0	RTC_SPARE12	RTC spare registers

830C00F4 RTC_SPARE13 RTC spare registers 13 00000000

Bit	31	30	29	28	27	26	25	24	23	22	21	20	19	18	17	16
Name																
Type																
Reset																
Bit	15	14	13	12	11	10	9	8	7	6	5	4	3	2	1	0
Name	RTC_SPARE13															
Type	RW															
Reset											0	0	0	0	0	0

Bit(s)	Name	Description
7:0	RTC_SPARE13	RTC spare registers

830C00F8 RTC_SPARE14 RTC spare registers 14 00000000

Bit	31	30	29	28	27	26	25	24	23	22	21	20	19	18	17	16
-----	----	----	----	----	----	----	----	----	----	----	----	----	----	----	----	----

Name																		
Type																		
Reset																		
Bit	15	14	13	12	11	10	9	8	7	6	5	4	3	2	1	0		
Name									RTC_SPARE14									
Type									RW									
Reset									0	0	0	0	0	0	0	0		

Bit(s)	Name	Description
7:0	RTC_SPARE14	RTC spare registers

830C00FC RTC_SPARE15 **RTC spare registers 15** **00000000**

Bit	31	30	29	28	27	26	25	24	23	22	21	20	19	18	17	16		
Name																		
Type																		
Reset																		
Bit	15	14	13	12	11	10	9	8	7	6	5	4	3	2	1	0		
Name									RTC_SPARE15									
Type									RW									
Reset									0	0	0	0	0	0	0	0		

Bit(s)	Name	Description
7:0	RTC_SPARE15	RTC spare registers

830C0100 RTC_COREPDN **Core domain power down indicator** **00000000**

Bit	31	30	29	28	27	26	25	24	23	22	21	20	19	18	17	16
Name																
Type																
Reset																
Bit	15	14	13	12	11	10	9	8	7	6	5	4	3	2	1	0
Name															G_ENAB	LE
Type															RU	RW
Reset															0	0

t

Bit(s)	Name	Description
1	G_ENABLE	RTC domain R/W enable indicator 0: ARM can not access RTC domain. 1: When the protection does not pass, ARM can only write protection pass. When the protection passes, ARM can write all RTC command registers.
0	CORE_SHUTDOWN	Core domain power down indicator for RTC domain. 0: disable. 1: Trigger core_shutdown signal for RTC domain. Before core power shut down, write this bit to disable RTC domain interface.

830C0104 MSTIME3 Correlator MS counter bit[31:24] 00000000

Bit	31	30	29	28	27	26	25	24	23	22	21	20	19	18	17	16
Name																
Type																
Reset																
Bit	15	14	13	12	11	10	9	8	7	6	5	4	3	2	1	0
Name																
Type																
Reset																

Bit(s)	Name	Description
--------	------	-------------

830C0108 MSTIME2 Correlator MS counter bit[23:16] 00000000

Bit	31	30	29	28	27	26	25	24	23	22	21	20	19	18	17	16
Name																
Type																
Reset																
Bit	15	14	13	12	11	10	9	8	7	6	5	4	3	2	1	0
Name																
Type																
Reset																

Bit(s)	Name	Description
--------	------	-------------

830C010C MSTIME1 Correlator MS counter bit[15:8] 00000000

Bit	31	30	29	28	27	26	25	24	23	22	21	20	19	18	17	16
Name																
Type																
Reset																
Bit	15	14	13	12	11	10	9	8	7	6	5	4	3	2	1	0
Name																
Type																
Reset																

Bit(s)	Name	Description
--------	------	-------------

830C0110 MSTIME0 Correlator MS counter bit[7:0] 00000000

Bit	31	30	29	28	27	26	25	24	23	22	21	20	19	18	17	16
Name																
Type																
Reset																
Bit	15	14	13	12	11	10	9	8	7	6	5	4	3	2	1	0
Name																
Type																
Reset																

Bit(s)	Name	Description
--------	------	-------------

830C0114 SUBMSTIME1 Correlator SUBMS counter bit[14:8] 00000000

Bit	31	30	29	28	27	26	25	24	23	22	21	20	19	18	17	16
Name																
Type																
Reset																
Bit	15	14	13	12	11	10	9	8	7	6	5	4	3	2	1	0
Name																
Type																
Reset																

Bit(s)	Name	Description
--------	------	-------------

830C0118 SUBMSTIMEo Correlator SUBMS counter bit[7:0] 00000000

Bit	31	30	29	28	27	26	25	24	23	22	21	20	19	18	17	16
Name																
Type																
Reset																
Bit	15	14	13	12	11	10	9	8	7	6	5	4	3	2	1	0
Name																
Type																
Reset																

Bit(s)	Name	Description
--------	------	-------------

830C011C MSDIFF3 MS counter difference bit[31:24] 00000000

Bit	31	30	29	28	27	26	25	24	23	22	21	20	19	18	17	16
Name																
Type																
Reset																
Bit	15	14	13	12	11	10	9	8	7	6	5	4	3	2	1	0
Name																
Type																
Reset																

Bit(s)	Name	Description
--------	------	-------------

830C0120 MSDIFF2 MS counter difference bit[23:16] 00000000

Bit	31	30	29	28	27	26	25	24	23	22	21	20	19	18	17	16
Name																
Type																
Reset																
Bit	15	14	13	12	11	10	9	8	7	6	5	4	3	2	1	0
Name																
Type																

Reset																
-------	--	--	--	--	--	--	--	--	--	--	--	--	--	--	--	--

Bit(s)	Name	Description
--------	------	-------------

830C0124 MSDIFF1 MS counter difference bit[15:8] 00000000

Bit	31	30	29	28	27	26	25	24	23	22	21	20	19	18	17	16
Name																
Type																
Reset																
Bit	15	14	13	12	11	10	9	8	7	6	5	4	3	2	1	0
Name																
Type																
Reset																

Bit(s)	Name	Description
--------	------	-------------

830C0128 MSDIFF0 MS counter difference bit[7:0] 00000000

Bit	31	30	29	28	27	26	25	24	23	22	21	20	19	18	17	16
Name																
Type																
Reset																
Bit	15	14	13	12	11	10	9	8	7	6	5	4	3	2	1	0
Name																
Type																
Reset																

Bit(s)	Name	Description
--------	------	-------------

830C012C SUBMSDIFF1 SUBMS counter difference bit[14:8] 00000000

Bit	31	30	29	28	27	26	25	24	23	22	21	20	19	18	17	16
Name																
Type																
Reset																

Bit	15	14	13	12	11	10	9	8	7	6	5	4	3	2	1	0
Name																
Type																
Reset																

Bit(s)	Name	Description
--------	------	-------------

830C0130 SUBMSDIFF0 SUBMS counter difference bit[7:0] 00000000

Bit	31	30	29	28	27	26	25	24	23	22	21	20	19	18	17	16
Name																
Type																
Reset																

Bit	15	14	13	12	11	10	9	8	7	6	5	4	3	2	1	0
Name																
Type																
Reset																

Bit(s)	Name	Description
--------	------	-------------

830C0134 MSTIMEMOD Correlator ms time modification control 00000000

Bit	31	30	29	28	27	26	25	24	23	22	21	20	19	18	17	16
Name																
Type																
Reset																

Bit	15	14	13	12	11	10	9	8	7	6	5	4	3	2	1	0
Name																
Type																
Reset																

Bit(s)	Name	Description
--------	------	-------------

830C0140 RTC_BACKUP00 RTC backup memory 00 00000000

Bit	31	30	29	28	27	26	25	24	23	22	21	20	19	18	17	16
Name																

Name	RTC_BACKUP00															
Type	RW															
Reset	0	0	0	0	0	0	0	0	0	0	0	0	0	0	0	0
Bit	15	14	13	12	11	10	9	8	7	6	5	4	3	2	1	0
Name	RTC_BACKUP00															
Type	RW															
Reset	0	0	0	0	0	0	0	0	0	0	0	0	0	0	0	0

Bit(s)	Name	Description
31:0	RTC_BACKUP00	RTC backup memory

830C0144 RTC_BACKUP01 RTC backup memory 01 00000000

Bit	31	30	29	28	27	26	25	24	23	22	21	20	19	18	17	16
Name	RTC_BACKUP01															
Type	RW															
Reset	0	0	0	0	0	0	0	0	0	0	0	0	0	0	0	0
Bit	15	14	13	12	11	10	9	8	7	6	5	4	3	2	1	0
Name	RTC_BACKUP01															
Type	RW															
Reset	0	0	0	0	0	0	0	0	0	0	0	0	0	0	0	0

Bit(s)	Name	Description
31:0	RTC_BACKUP01	RTC backup memory

830C0148 RTC_BACKUP02 RTC backup memory 02 00000000

Bit	31	30	29	28	27	26	25	24	23	22	21	20	19	18	17	16
Name	RTC_BACKUP02															
Type	RW															
Reset	0	0	0	0	0	0	0	0	0	0	0	0	0	0	0	0
Bit	15	14	13	12	11	10	9	8	7	6	5	4	3	2	1	0
Name	RTC_BACKUP02															
Type	RW															
Reset	0	0	0	0	0	0	0	0	0	0	0	0	0	0	0	0

Bit(s)	Name	Description
31:0	RTC_BACKUP02	RTC backup memory

Bit(s)	Name	Description
--------	------	-------------

830C014C RTC_BACKUP03 RTC backup memory 03 00000000

Bit	31	30	29	28	27	26	25	24	23	22	21	20	19	18	17	16
Name	RTC_BACKUP03															
Type	RW															
Reset	0	0	0	0	0	0	0	0	0	0	0	0	0	0	0	0
Bit	15	14	13	12	11	10	9	8	7	6	5	4	3	2	1	0
Name	RTC_BACKUP03															
Type	RW															
Reset	0	0	0	0	0	0	0	0	0	0	0	0	0	0	0	0

Bit(s)	Name	Description
31:0	RTC_BACKUP03	RTC backup memory

830C0150 RTC_BACKUP04 RTC backup memory 04 00000000

Bit	31	30	29	28	27	26	25	24	23	22	21	20	19	18	17	16
Name	RTC_BACKUP04															
Type	RW															
Reset	0	0	0	0	0	0	0	0	0	0	0	0	0	0	0	0
Bit	15	14	13	12	11	10	9	8	7	6	5	4	3	2	1	0
Name	RTC_BACKUP04															
Type	RW															
Reset	0	0	0	0	0	0	0	0	0	0	0	0	0	0	0	0

Bit(s)	Name	Description
31:0	RTC_BACKUP04	RTC backup memory

830C0154 RTC_BACKUP05 RTC backup memory 05 00000000

Bit	31	30	29	28	27	26	25	24	23	22	21	20	19	18	17	16
Name	RTC_BACKUP05															
Type	RW															
Reset	0	0	0	0	0	0	0	0	0	0	0	0	0	0	0	0
Bit	15	14	13	12	11	10	9	8	7	6	5	4	3	2	1	0
Name	RTC_BACKUP05															
Type	RW															

Reset	0	0	0	0	0	0	0	0	0	0	0	0	0	0	0	0
--------------	---	---	---	---	---	---	---	---	---	---	---	---	---	---	---	---

Bit(s)	Name	Description
31:0	RTC_BACKUP05	RTC backup memory

830C0158 RTC_BACKUP06 RTC backup memory 06 00000000

Bit	31	30	29	28	27	26	25	24	23	22	21	20	19	18	17	16
Name	RTC_BACKUP06															
Type	RW															
Reset	0	0	0	0	0	0	0	0	0	0	0	0	0	0	0	0
Bit	15	14	13	12	11	10	9	8	7	6	5	4	3	2	1	0
Name	RTC_BACKUP06															
Type	RW															
Reset	0	0	0	0	0	0	0	0	0	0	0	0	0	0	0	0

Bit(s)	Name	Description
31:0	RTC_BACKUP06	RTC backup memory

830C015C RTC_BACKUP07 RTC backup memory 07 00000000

Bit	31	30	29	28	27	26	25	24	23	22	21	20	19	18	17	16
Name	RTC_BACKUP07															
Type	RW															
Reset	0	0	0	0	0	0	0	0	0	0	0	0	0	0	0	0
Bit	15	14	13	12	11	10	9	8	7	6	5	4	3	2	1	0
Name	RTC_BACKUP07															
Type	RW															
Reset	0	0	0	0	0	0	0	0	0	0	0	0	0	0	0	0

Bit(s)	Name	Description
31:0	RTC_BACKUP07	RTC backup memory

830C0160 RTC_BACKUP08 RTC backup memory 08 00000000

Bit	31	30	29	28	27	26	25	24	23	22	21	20	19	18	17	16
Name	RTC_BACKUP08															
Type	RW															
Reset	0	0	0	0	0	0	0	0	0	0	0	0	0	0	0	0

t																
Bit	15	14	13	12	11	10	9	8	7	6	5	4	3	2	1	0
Name	RTC_BACKUPo8															
Type	RW															
Reset	0	0	0	0	0	0	0	0	0	0	0	0	0	0	0	0

Bit(s)	Name	Description
31:0	RTC_BACKUPo8	RTC backup memory

830Co164 RTC_BACKUPo9 RTC backup memory 09 00000000

Bit	31	30	29	28	27	26	25	24	23	22	21	20	19	18	17	16
Name	RTC_BACKUPo9															
Type	RW															
Reset	0	0	0	0	0	0	0	0	0	0	0	0	0	0	0	0
Bit	15	14	13	12	11	10	9	8	7	6	5	4	3	2	1	0
Name	RTC_BACKUPo9															
Type	RW															
Reset	0	0	0	0	0	0	0	0	0	0	0	0	0	0	0	0

Bit(s)	Name	Description
31:0	RTC_BACKUPo9	RTC backup memory

830Co168 RTC_BACKUP1o RTC backup memory 10 00000000

Bit	31	30	29	28	27	26	25	24	23	22	21	20	19	18	17	16
Name	RTC_BACKUP1o															
Type	RW															
Reset	0	0	0	0	0	0	0	0	0	0	0	0	0	0	0	0
Bit	15	14	13	12	11	10	9	8	7	6	5	4	3	2	1	0
Name	RTC_BACKUP1o															
Type	RW															
Reset	0	0	0	0	0	0	0	0	0	0	0	0	0	0	0	0

Bit(s)	Name	Description
31:0	RTC_BACKUP1o	RTC backup memory

830Co16C RTC_BACKUP11 RTC backup memory 11 00000000

Bit	31	30	29	28	27	26	25	24	23	22	21	20	19	18	17	16
Name	RTC_BACKUP11															
Type	RW															
Reset	0	0	0	0	0	0	0	0	0	0	0	0	0	0	0	0
Bit	15	14	13	12	11	10	9	8	7	6	5	4	3	2	1	0
Name	RTC_BACKUP11															
Type	RW															
Reset	0	0	0	0	0	0	0	0	0	0	0	0	0	0	0	0

Bit(s)	Name	Description
31:0	RTC_BACKUP11	RTC backup memory

830C0170 RTC_BACKUP12 RTC backup memory 12 00000000

Bit	31	30	29	28	27	26	25	24	23	22	21	20	19	18	17	16
Name	RTC_BACKUP12															
Type	RW															
Reset	0	0	0	0	0	0	0	0	0	0	0	0	0	0	0	0
Bit	15	14	13	12	11	10	9	8	7	6	5	4	3	2	1	0
Name	RTC_BACKUP12															
Type	RW															
Reset	0	0	0	0	0	0	0	0	0	0	0	0	0	0	0	0

Bit(s)	Name	Description
31:0	RTC_BACKUP12	RTC backup memory

830C0174 RTC_BACKUP13 RTC backup memory 13 00000000

Bit	31	30	29	28	27	26	25	24	23	22	21	20	19	18	17	16
Name	RTC_BACKUP13															
Type	RW															
Reset	0	0	0	0	0	0	0	0	0	0	0	0	0	0	0	0
Bit	15	14	13	12	11	10	9	8	7	6	5	4	3	2	1	0
Name	RTC_BACKUP13															
Type	RW															
Reset	0	0	0	0	0	0	0	0	0	0	0	0	0	0	0	0

Bit(s)	Name	Description
--------	------	-------------

Bit(s)	Name	Description
31:0	RTC_BACKUP13	RTC backup memory

830C0178 RTC_BACKUP14 RTC backup memory 14 00000000

Bit	31	30	29	28	27	26	25	24	23	22	21	20	19	18	17	16
Name	RTC_BACKUP14															
Type	RW															
Reset	0	0	0	0	0	0	0	0	0	0	0	0	0	0	0	0
Bit	15	14	13	12	11	10	9	8	7	6	5	4	3	2	1	0
Name	RTC_BACKUP14															
Type	RW															
Reset	0	0	0	0	0	0	0	0	0	0	0	0	0	0	0	0

Bit(s)	Name	Description
31:0	RTC_BACKUP14	RTC backup memory

830C017C RTC_BACKUP15 RTC backup memory 15 00000000

Bit	31	30	29	28	27	26	25	24	23	22	21	20	19	18	17	16
Name	RTC_BACKUP15															
Type	RW															
Reset	0	0	0	0	0	0	0	0	0	0	0	0	0	0	0	0
Bit	15	14	13	12	11	10	9	8	7	6	5	4	3	2	1	0
Name	RTC_BACKUP15															
Type	RW															
Reset	0	0	0	0	0	0	0	0	0	0	0	0	0	0	0	0

Bit(s)	Name	Description
31:0	RTC_BACKUP15	RTC backup memory

830C0180 RTC_BACKUP16 RTC backup memory 16 00000000

Bit	31	30	29	28	27	26	25	24	23	22	21	20	19	18	17	16
Name	RTC_BACKUP16															
Type	RW															
Reset	0	0	0	0	0	0	0	0	0	0	0	0	0	0	0	0
Bit	15	14	13	12	11	10	9	8	7	6	5	4	3	2	1	0
Name	RTC_BACKUP16															

Type	RW															
Reset	0	0	0	0	0	0	0	0	0	0	0	0	0	0	0	0

Bit(s)	Name	Description
31:0	RTC_BACKUP16	RTC backup memory

830C0184 RTC_BACKUP17 RTC backup memory 17 00000000

Bit	31	30	29	28	27	26	25	24	23	22	21	20	19	18	17	16
Name	RTC_BACKUP17															
Type	RW															
Reset	0	0	0	0	0	0	0	0	0	0	0	0	0	0	0	0
Bit	15	14	13	12	11	10	9	8	7	6	5	4	3	2	1	0
Name	RTC_BACKUP17															
Type	RW															
Reset	0	0	0	0	0	0	0	0	0	0	0	0	0	0	0	0

Bit(s)	Name	Description
31:0	RTC_BACKUP17	RTC backup memory

830C0188 RTC_BACKUP18 RTC backup memory 18 00000000

Bit	31	30	29	28	27	26	25	24	23	22	21	20	19	18	17	16
Name	RTC_BACKUP18															
Type	RW															
Reset	0	0	0	0	0	0	0	0	0	0	0	0	0	0	0	0
Bit	15	14	13	12	11	10	9	8	7	6	5	4	3	2	1	0
Name	RTC_BACKUP18															
Type	RW															
Reset	0	0	0	0	0	0	0	0	0	0	0	0	0	0	0	0

Bit(s)	Name	Description
31:0	RTC_BACKUP18	RTC backup memory

830C018C RTC_BACKUP19 RTC backup memory 19 00000000

Bit	31	30	29	28	27	26	25	24	23	22	21	20	19	18	17	16
Name	RTC_BACKUP19															
Type	RW															

Reset	0	0	0	0	0	0	0	0	0	0	0	0	0	0	0	0
Bit	15	14	13	12	11	10	9	8	7	6	5	4	3	2	1	0
Name	RTC_BACKUP19															
Type	RW															
Reset	0	0	0	0	0	0	0	0	0	0	0	0	0	0	0	0

Bit(s)	Name	Description
31:0	RTC_BACKUP19	RTC backup memory

830C0190 RTC_BACKUP20 RTC backup memory 20 00000000

Bit	31	30	29	28	27	26	25	24	23	22	21	20	19	18	17	16
Name	RTC_BACKUP20															
Type	RW															
Reset	0	0	0	0	0	0	0	0	0	0	0	0	0	0	0	0
Bit	15	14	13	12	11	10	9	8	7	6	5	4	3	2	1	0
Name	RTC_BACKUP20															
Type	RW															
Reset	0	0	0	0	0	0	0	0	0	0	0	0	0	0	0	0

Bit(s)	Name	Description
31:0	RTC_BACKUP20	RTC backup memory

830C0194 RTC_BACKUP21 RTC backup memory 21 00000000

Bit	31	30	29	28	27	26	25	24	23	22	21	20	19	18	17	16
Name	RTC_BACKUP21															
Type	RW															
Reset	0	0	0	0	0	0	0	0	0	0	0	0	0	0	0	0
Bit	15	14	13	12	11	10	9	8	7	6	5	4	3	2	1	0
Name	RTC_BACKUP21															
Type	RW															
Reset	0	0	0	0	0	0	0	0	0	0	0	0	0	0	0	0

Bit(s)	Name	Description
31:0	RTC_BACKUP21	RTC backup memory

830C0198 RTC_BACKUP22 RTC backup memory 22 00000000

Bit	31	30	29	28	27	26	25	24	23	22	21	20	19	18	17	16
Name	RTC_BACKUP22															
Type	RW															
Reset	0	0	0	0	0	0	0	0	0	0	0	0	0	0	0	0
Bit	15	14	13	12	11	10	9	8	7	6	5	4	3	2	1	0
Name	RTC_BACKUP22															
Type	RW															
Reset	0	0	0	0	0	0	0	0	0	0	0	0	0	0	0	0

Bit(s)	Name	Description
31:0	RTC_BACKUP22	RTC backup memory

830C019C RTC_BACKUP23 RTC backup memory 23 00000000

Bit	31	30	29	28	27	26	25	24	23	22	21	20	19	18	17	16
Name	RTC_BACKUP23															
Type	RW															
Reset	0	0	0	0	0	0	0	0	0	0	0	0	0	0	0	0
Bit	15	14	13	12	11	10	9	8	7	6	5	4	3	2	1	0
Name	RTC_BACKUP23															
Type	RW															
Reset	0	0	0	0	0	0	0	0	0	0	0	0	0	0	0	0

Bit(s)	Name	Description
31:0	RTC_BACKUP23	RTC backup memory

830C01A0 RTC_BACKUP24 RTC backup memory 24 00000000

Bit	31	30	29	28	27	26	25	24	23	22	21	20	19	18	17	16
Name	RTC_BACKUP24															
Type	RW															
Reset	0	0	0	0	0	0	0	0	0	0	0	0	0	0	0	0
Bit	15	14	13	12	11	10	9	8	7	6	5	4	3	2	1	0
Name	RTC_BACKUP24															
Type	RW															
Reset	0	0	0	0	0	0	0	0	0	0	0	0	0	0	0	0

Bit(s)	Name	Description
31:0	RTC_BACKUP24	RTC backup memory

830C01A4 RTC_BACKUP25 RTC backup memory 25 00000000

Bit	31	30	29	28	27	26	25	24	23	22	21	20	19	18	17	16
Name	RTC_BACKUP25															
Type	RW															
Reset	0	0	0	0	0	0	0	0	0	0	0	0	0	0	0	0
Bit	15	14	13	12	11	10	9	8	7	6	5	4	3	2	1	0
Name	RTC_BACKUP25															
Type	RW															
Reset	0	0	0	0	0	0	0	0	0	0	0	0	0	0	0	0

Bit(s)	Name	Description
31:0	RTC_BACKUP25	RTC backup memory

830C01A8 RTC_BACKUP26 RTC backup memory 26 00000000

Bit	31	30	29	28	27	26	25	24	23	22	21	20	19	18	17	16
Name	RTC_BACKUP26															
Type	RW															
Reset	0	0	0	0	0	0	0	0	0	0	0	0	0	0	0	0
Bit	15	14	13	12	11	10	9	8	7	6	5	4	3	2	1	0
Name	RTC_BACKUP26															
Type	RW															
Reset	0	0	0	0	0	0	0	0	0	0	0	0	0	0	0	0

Bit(s)	Name	Description
31:0	RTC_BACKUP26	RTC backup memory

830C01AC RTC_BACKUP27 RTC backup memory 27 00000000

Bit	31	30	29	28	27	26	25	24	23	22	21	20	19	18	17	16
Name	RTC_BACKUP27															
Type	RW															
Reset	0	0	0	0	0	0	0	0	0	0	0	0	0	0	0	0
Bit	15	14	13	12	11	10	9	8	7	6	5	4	3	2	1	0
Name	RTC_BACKUP27															

Type	RW															
Reset	0	0	0	0	0	0	0	0	0	0	0	0	0	0	0	0

Bit(s)	Name	Description
31:0	RTC_BACKUP27	RTC backup memory

830C01B0 RTC_BACKUP28 RTC backup memory 28 00000000

Bit	31	30	29	28	27	26	25	24	23	22	21	20	19	18	17	16
Name	RTC_BACKUP28															
Type	RW															
Reset	0	0	0	0	0	0	0	0	0	0	0	0	0	0	0	0
Bit	15	14	13	12	11	10	9	8	7	6	5	4	3	2	1	0
Name	RTC_BACKUP28															
Type	RW															
Reset	0	0	0	0	0	0	0	0	0	0	0	0	0	0	0	0

Bit(s)	Name	Description
31:0	RTC_BACKUP28	RTC backup memory

830C01B4 RTC_BACKUP29 RTC backup memory 29 00000000

Bit	31	30	29	28	27	26	25	24	23	22	21	20	19	18	17	16
Name	RTC_BACKUP29															
Type	RW															
Reset	0	0	0	0	0	0	0	0	0	0	0	0	0	0	0	0
Bit	15	14	13	12	11	10	9	8	7	6	5	4	3	2	1	0
Name	RTC_BACKUP29															
Type	RW															
Reset	0	0	0	0	0	0	0	0	0	0	0	0	0	0	0	0

Bit(s)	Name	Description
31:0	RTC_BACKUP29	RTC backup memory

830C01B8 RTC_BACKUP30 RTC backup memory 30 00000000

Bit	31	30	29	28	27	26	25	24	23	22	21	20	19	18	17	16
Name	RTC_BACKUP30															
Type	RW															

Reset	0	0	0	0	0	0	0	0	0	0	0	0	0	0	0	0
Bit	15	14	13	12	11	10	9	8	7	6	5	4	3	2	1	0
Name	RTC_BACKUP30															
Type	RW															
Reset	0	0	0	0	0	0	0	0	0	0	0	0	0	0	0	0

Bit(s)	Name	Description
31:0	RTC_BACKUP30	RTC backup memory

830C01BC RTC_BACKUP31 RTC backup memory 31 00000000

Bit	31	30	29	28	27	26	25	24	23	22	21	20	19	18	17	16
Name	RTC_BACKUP31															
Type	RW															
Reset	0	0	0	0	0	0	0	0	0	0	0	0	0	0	0	0
Bit	15	14	13	12	11	10	9	8	7	6	5	4	3	2	1	0
Name	RTC_BACKUP31															
Type	RW															
Reset	0	0	0	0	0	0	0	0	0	0	0	0	0	0	0	0

Bit(s)	Name	Description
31:0	RTC_BACKUP31	RTC backup memory

830C01C0 RTC_BACKUP32 RTC backup memory 32 00000000

Bit	31	30	29	28	27	26	25	24	23	22	21	20	19	18	17	16
Name	RTC_BACKUP32															
Type	RW															
Reset	0	0	0	0	0	0	0	0	0	0	0	0	0	0	0	0
Bit	15	14	13	12	11	10	9	8	7	6	5	4	3	2	1	0
Name	RTC_BACKUP32															
Type	RW															
Reset	0	0	0	0	0	0	0	0	0	0	0	0	0	0	0	0

Bit(s)	Name	Description
31:0	RTC_BACKUP32	RTC backup memory

830C01C4 RTC_BACKUP33 RTC backup memory 33 00000000

Bit	31	30	29	28	27	26	25	24	23	22	21	20	19	18	17	16
Name	RTC_BACKUP33															
Type	RW															
Reset	0	0	0	0	0	0	0	0	0	0	0	0	0	0	0	0
Bit	15	14	13	12	11	10	9	8	7	6	5	4	3	2	1	0
Name	RTC_BACKUP33															
Type	RW															
Reset	0	0	0	0	0	0	0	0	0	0	0	0	0	0	0	0

Bit(s)	Name	Description
31:0	RTC_BACKUP33	RTC backup memory

830C01C8 RTC_BACKUP34 RTC backup memory 34 00000000

Bit	31	30	29	28	27	26	25	24	23	22	21	20	19	18	17	16
Name	RTC_BACKUP34															
Type	RW															
Reset	0	0	0	0	0	0	0	0	0	0	0	0	0	0	0	0
Bit	15	14	13	12	11	10	9	8	7	6	5	4	3	2	1	0
Name	RTC_BACKUP34															
Type	RW															
Reset	0	0	0	0	0	0	0	0	0	0	0	0	0	0	0	0

Bit(s)	Name	Description
31:0	RTC_BACKUP34	RTC backup memory

830C01CC RTC_BACKUP35 RTC backup memory 35 00000000

Bit	31	30	29	28	27	26	25	24	23	22	21	20	19	18	17	16
Name	RTC_BACKUP35															
Type	RW															
Reset	0	0	0	0	0	0	0	0	0	0	0	0	0	0	0	0
Bit	15	14	13	12	11	10	9	8	7	6	5	4	3	2	1	0
Name	RTC_BACKUP35															
Type	RW															
Reset	0	0	0	0	0	0	0	0	0	0	0	0	0	0	0	0

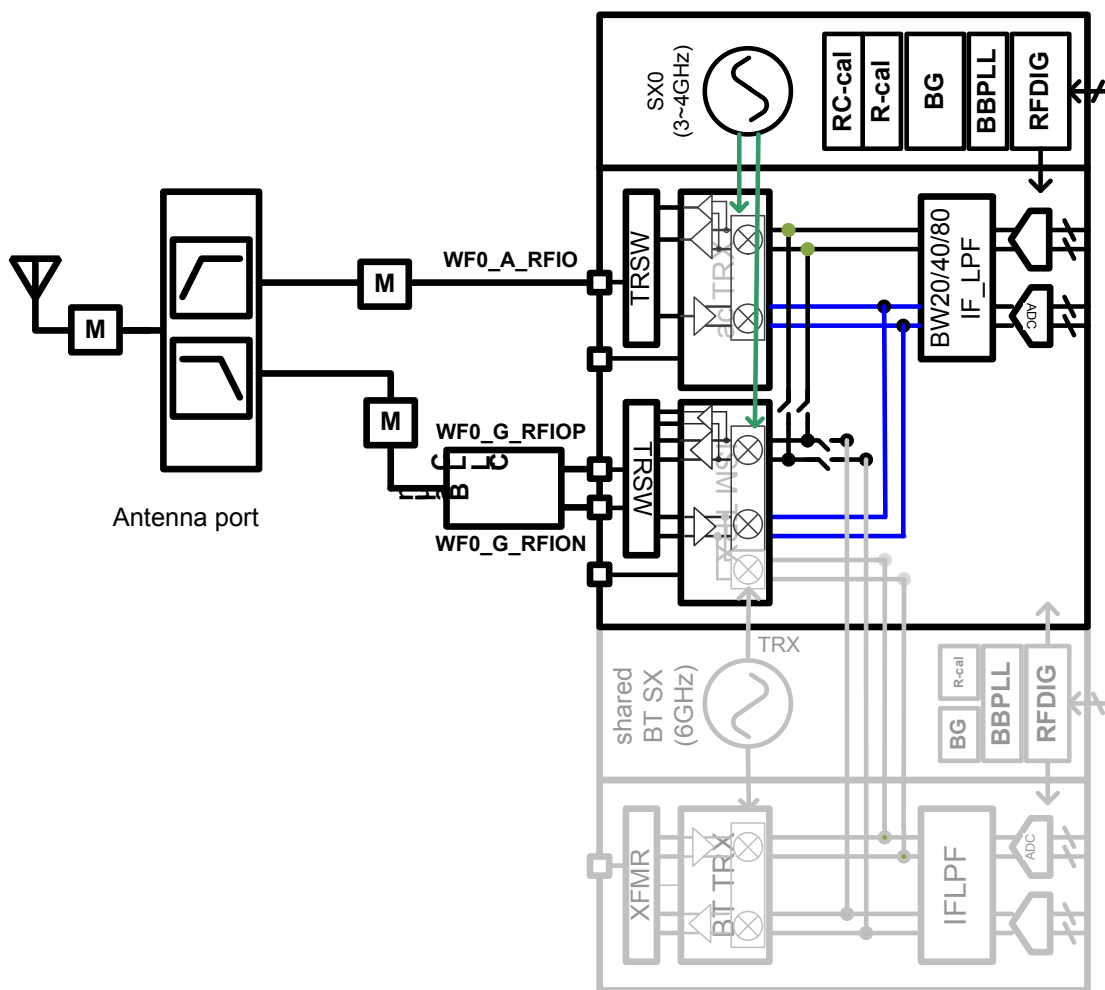
Bit(s)	Name	Description
31:0	RTC_BACKUP ₃₅	RTC backup memory

3 Radio Characteristics

3.1 Wi-Fi Radio Characteristics

3.1.1 Wi-Fi RF Block Diagram

Front-end loss with external Balun (2.4GHz band) and diplexer: 2.4GHz band insertion loss is 2dB, and 5GHz band insertion loss 1.6dB.



Note: **M** is matching circuits for 50ohm impedance tuning.

Figure 3-1. 2.4/5GHz RF Block Diagram

3.1.2 Wi-Fi 2.4GHz Band RF Receiver Specifications

The specifications noted in the table below is measured at the antenna port, which includes the front-end loss.

Table 3-1. 2.4GHz RF Receiver Specification

Parameter	Description	Performance			
		MIN	TYP	MAX	Unit
Frequency range	Center channel frequency	2412		2484	MHz
RX sensitivity	1 Mbps CCK	-	-96.4	-	dBm
	2 Mbps CCK	-	-93.4	-	dBm
	5.5 Mbps CCK	-	-91.4	-	dBm
	11 Mbps CCK	-	-88.4	-	dBm
RX sensitivity	BPSK rate 1/2, 6 Mbps OFDM	-	-93.4	-	dBm
	BPSK rate 3/4, 9 Mbps OFDM	-	-91.1	-	dBm
	QPSK rate 1/2, 12 Mbps OFDM	-	-90.3	-	dBm
	QPSK rate 3/4, 18 Mbps OFDM	-	-87.9	-	dBm
	16QAM rate 1/2, 24 Mbps OFDM	-	-84.6	-	dBm
	16QAM rate 3/4, 36 Mbps OFDM	-	-81.2	-	dBm
	64QAM rate 1/2, 48 Mbps OFDM	-	-77.0	-	dBm
	64QAM rate 3/4, 54 Mbps OFDM	-	-75.7	-	dBm
RX Sensitivity BW=20MHz Mixed mode 800ns Guard Interval Non-STBC	MCS 0, BPSK rate 1/2	-	-92.7	-	dBm
	MCS 1, QPSK rate 1/2	-	-89.5	-	dBm
	MCS 2, QPSK rate 3/4	-	-87.1	-	dBm
	MCS 3, 16QAM rate 1/2	-	-84.1	-	dBm
	MCS 4, 16QAM rate 3/4	-	-80.6	-	dBm
	MCS 5, 64QAM rate 2/3	-	-76.2	-	dBm
	MCS 6, 64QAM rate 3/4	-	-74.8	-	dBm
	MCS 7, 64QAM rate 5/6	-	-73.6	-	dBm
RX Sensitivity BW=40MHz Mixed mode 800ns Guard Interval Non-STBC	MCS 0, BPSK rate 1/2	-	-89.6	-	dBm
	MCS 1, QPSK rate 1/2	-	-86.8	-	dBm
	MCS 2, QPSK rate 3/4	-	-84.3	-	dBm
	MCS 3, 16QAM rate 1/2	-	-80.8	-	dBm
	MCS 4, 16QAM rate 3/4	-	-77.7	-	dBm
	MCS 5, 64QAM rate 2/3	-	-73.1	-	dBm
	MCS 6, 64QAM rate 3/4	-	-71.8	-	dBm

Parameter	Description	Performance			
		MIN	TYP	MAX	Unit
	MCS 7, 64QAM rate 5/6	-	-70.6	-	dBm
Maximum Receive Level	6 Mbps OFDM	-	-10	-	dBm
	54 Mbps OFDM	-	-10	-	dBm
	MCS0	-	-10	-	dBm
	MCS7	-	-20	-	dBm
Receive Adjacent Channel Rejection	1 Mbps CCK	-	40	-	dBm
	11 Mbps CCK	-	40	-	dBm
	BPSK rate 1/2, 6 Mbps OFDM	-	34	-	dBm
	64QAM rate 3/4, 54 Mbps OFDM	-	22	-	dBm
	HT20, MCS 0, BPSK rate 1/2	-	33	-	dBm
	HT20, MCS 7, 64QAM rate 5/6	-	15	-	dBm
	HT40, MCS 0, BPSK rate 1/2	-	29	-	dBm
	HT40, MCS 7, 64QAM rate 5/6	-	9	-	dBm

3.1.3 Wi-Fi 2.4GHz Band RF Transmitter Specifications

The specifications in table are measured at the antenna port, which includes the front-end loss.

Table 3-2. 2.4GHz RF Transmitter Specifications

Parameter	Description	Performance			
		MIN	TYP	MAX	Unit
Frequency range		2412	-	2484	MHz
Output power with spectral mask and EVM compliance	1 Mbps CCK	-	21	-	dBm
	11 Mbps CCK	-	21	-	dBm
	6 Mbps OFDM	-	19	-	dBm
	54 Mbps OFDM	-	18	-	dBm
	HT20, MCS 0	-	18	-	dBm
	HT20, MCS 7	-	17.5	-	dBm
	HT40, MCS 0	-	17	-	dBm
	HT40, MCS 7	-	16.5	-	dBm
TX EVM	6 Mbps OFDM	-	-	-5	dB
	54 Mbps OFDM	-	-	-25	dB
	HT20, MCS 0	-	-	-5	dB

Parameter	Description	Performance			
		MIN	TYP	MAX	Unit
	HT20, MCS 7	-	-	-28	dB
	HT40, MCS 0	-	-	-5	dB
	HT40, MCS 7	-	-	-28	dB
Output power variation ⁽¹⁾	TSSI closed-loop control across all temperature range and channels and VSWR \leq 1.5:1.	-1.5	-	1.5	dB
Carrier suppression		-	-	-30	dBc
Harmonic Output Power	2nd Harmonic	-	-45	-43	dBm/MHz
	3rd Harmonic	-	-45	-43	dBm/MHz

Note 1: VDD33 voltage is within $\pm 5\%$ of typical value.

3.1.4 Wi-Fi 5GHz Band RF Receiver Specifications

The specifications in table below are measured at the antenna port, which includes the front-end loss.

Table 3-3. 5GHz RF Receiver Specifications

Parameter	Description	Performance			
		MIN	TYP	MAX	Unit
Frequency range	Center channel frequency	5180	-	5825	MHz
RX sensitivity	BPSK rate 1/2, 6 Mbps OFDM	-	-92.8	-	dBm
	BPSK rate 3/4, 9 Mbps OFDM	-	-90.5	-	dBm
	QPSK rate 1/2, 12 Mbps OFDM	-	-89.8	-	dBm
	QPSK rate 3/4, 18 Mbps OFDM	-	-87.3	-	dBm
	16QAM rate 1/2, 24 Mbps OFDM	-	-84.1	-	dBm
	16QAM rate 3/4, 36 Mbps OFDM	-	-80.8	-	dBm
	64QAM rate 1/2, 48 Mbps OFDM	-	-76.4	-	dBm
	64QAM rate 3/4, 54 Mbps OFDM	-	-75.0	-	dBm
RX Sensitivity BW=20MHz HT Mixed mode 800ns Guard Interval Non-STBC	MCS 0, BPSK rate 1/2	-	-92.1	-	dBm
	MCS 1, QPSK rate 1/2	-	-89.1	-	dBm
	MCS 2, QPSK rate 3/4	-	-86.6	-	dBm
	MCS 3, 16QAM rate 1/2	-	-83.6	-	dBm
	MCS 4, 16QAM rate 3/4	-	-80.1	-	dBm
	MCS 5, 64QAM rate 2/3	-	-75.6	-	dBm
	MCS 6, 64QAM rate 3/4	-	-74.2	-	dBm

Parameter	Description	Performance			
		MIN	TYP	MAX	Unit
	MCS 7, 64QAM rate 5/6	-	-73.0	-	dBm
RX Sensitivity BW=40MHz HT Mixed mode 800ns Guard Interval Non-STBC	MCS 0, BPSK rate 1/2	-	-89.1	-	dBm
	MCS 1, QPSK rate 1/2	-	-85.9	-	dBm
	MCS 2, QPSK rate 3/4	-	-83.5	-	dBm
	MCS 3, 16QAM rate 1/2	-	-80.2	-	dBm
	MCS 4, 16QAM rate 3/4	-	-76.9	-	dBm
	MCS 5, 64QAM rate 2/3	-	-72.6	-	dBm
	MCS 6, 64QAM rate 3/4	-	-71.2	-	dBm
	MCS 7, 64QAM rate 5/6	-	-70.1	-	dBm
Maximum Receive Level	6 Mbps OFDM	-	-10	-	dBm
	54 Mbps OFDM	-	-20	-	dBm
	MCS0	-	-15	-	dBm
	MCS7	-	-20	-	dBm
Receive Adjacent Channel Rejection	BPSK rate 1/2, 6 Mbps OFDM	-	25	-	dBm
	64QAM rate 3/4, 54 Mbps OFDM	-	7	-	dBm
	HT20, MCS 0, BPSK rate 1/2	-	24	-	dBm
	HT20, MCS 7, 64QAM rate 5/6	-	3	-	dBm
	HT40, MCS 0, BPSK rate 1/2	-	24	-	dBm
	HT40, MCS 7, 64QAM rate 5/6	-	3	-	dBm

3.1.5 Wi-Fi 5GHz Band RF Transmitter Specifications

The specifications in table below are measured at the antenna port, which includes the front-end loss.

Table 3-4. 5GHz RF Transmitter Specifications

Parameter	Description	Performance			
		MIN	TYP	MAX	Unit
Frequency range		5180	-	5825	MHz
Output power with spectral mask and EVM compliance	6 Mbps OFDM	-	16.9	-	dBm
	54 Mbps OFDM	-	16.9	-	dBm
	HT20, MCS 0	-	16.9	-	dBm
	HT20, MCS 7	-	15.9	-	dBm
	HT40, MCS 0	-	15.9	-	dBm
	HT40, MCS 7	-	15.9	-	dBm
TX EVM	6 Mbps OFDM	-	-	-5	dB
	54 Mbps OFDM	-	-	-25	dB
	HT20, MCS 0	-	-	-5	dB
	HT20, MCS 7	-	-	-28	dB
	HT40, MCS 0	-	-	-5	dB
	HT40, MCS 7	-	-	-28	dB
Output power variation ⁽¹⁾	TSSI closed-loop control across all temperature range and channels and VSWR $\leq 1.5:1$.	-1.5	-	1.5	dB
Carrier suppression		-	-	-30	dBc
Harmonic Output Power	2nd Harmonic	-	-45	-43	dBm/MHz
	3rd Harmonic	-	-45	-43	dBm/MHz

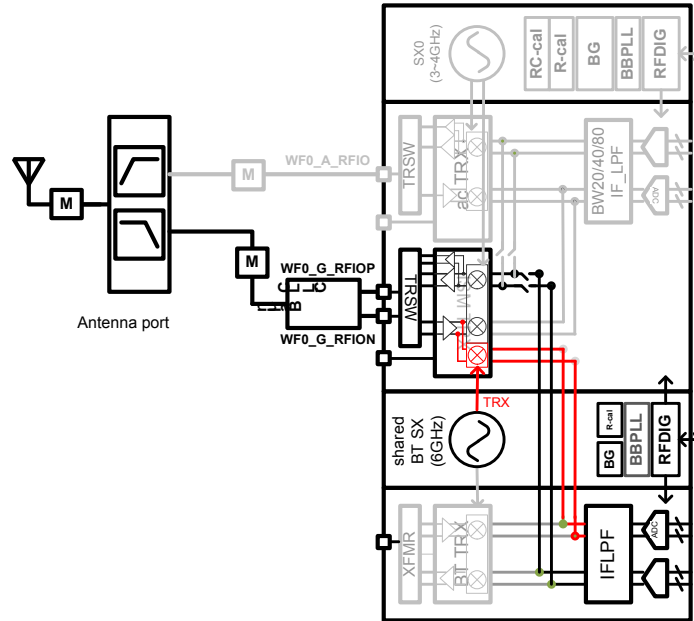
Note 1: VDD33 voltage is within $\pm 5\%$ of typical value.

3.2 Bluetooth Radio Characteristics

MT7697 and MT7697D support Bluetooth system.

3.2.1 Bluetooth RF block diagram

Front-end loss with external Balun and diplexer: 2.4GHz insertion loss 2dB.



Note: **M** is matching circuits for 50ohm impedance tuning.

Figure 3-2. Wi-Fi/Bluetooth RF Block Diagram

3.2.2 Basic Rate Receiver Specifications

The specifications in table below are measured at the antenna port, which includes the front-end loss.

Figure 3-3. Basic Rate Receiver Specifications

PARAMETER	DESCRIPTION	PERFORMANCE			
		MIN	TYP	MAX	UNIT
Frequency range		2402	-	2480	MHz
Receiver sensitivity ¹	BER<0.1%	-	-92	-	dBm
Maximum usable signal	BER<0.1%	-	-5	-	dBm
C/I co-channel (BER<0.1%)	Co channel selectivity	-	6	11	dB

PARAMETER	DESCRIPTION	PERFORMANCE			
		MIN	TYP	MAX	UNIT
C/I 1MHz (BER<0.1%)	Adjacent channel selectivity	-	-7	0	dB
C/I 2MHz (BER<0.1%)	2 nd adjacent channel selectivity	-	-40	-30	dB
C/I ≥3MHz (BER<0.1%)	3 rd adjacent channel selectivity	-	-43	-40	dB
C/I Image channel (BER<0.1%)	Image channel selectivity	-	-20	-9	dB
C/I Image 1MHz (BER<0.1%)	1MHz adjacent to image channel selectivity	-	-35	-20	dB
Inter-modulation		-39	-30	-	dBm
Out-of-band blocking	30MHz to 2000MHz	-10	-	-	dBm
	2000MHz to 2399MHz	-27	-	-	dBm
	2498MHz to 3000MHz	-27	-	-	dBm
	3000MHz to 12.75GHz	-10	-	-	dBm

Note 1: The receiver sensitivity is measured at the antenna port.

3.2.3 Basic Rate Transmitter Specifications

The specifications in table below are measured at the antenna port, which includes the front-end loss.

Table 3-5. Basic Rate Transmitter Specifications

PARAMETER	DESCRIPTION	PERFORMANCE			
		MIN	TYP	MAX	UNIT
Frequency range		2402	-	2480	MHz
Maximum transmit power ¹	At maximum power output level	-	10	-	dBm
Gain step		2	4	8	dB
Modulation characteristics	Δf_{1avg}	140	157	175	KHz
	Δf_{2max} (For at least 99.9% of all Δf_{2max})	115	121	-	KHz
	$\Delta f_{1avg} / \Delta f_{2avg}$	0.8	0.85	-	KHz
ICFT	Initial carrier frequency tolerance	-75	±20	+75	KHz
Carrier frequency drift	One slot packet (DH1)	-25	±15	+25	KHz
	Two slot packet (DH3)	-40	±15	+40	KHz
	Five slot packet (DH5)	-40	±15	+40	KHz

PARAMETER	DESCRIPTION	PERFORMANCE			
		MIN	TYP	MAX	UNIT
	Max drift rate	-20	±15	20	KHz/50µs
TX output spectrum	20dB bandwidth	-	-	1000	KHz
In-Band spurious emission	±2MHz offset	-	-40	-20	dBm
	±3MHz offset	-	-45	-40	dBm
	>±3MHz offset	-	-45	-40	dBm

Note 1: The output power is measured at the antenna port.

3.2.4 Bluetooth LE Receiver Specifications

The specifications in table below are measured at the antenna port, which includes the front-end loss.

Table 3-6. Bluetooth LE Receiver Specifications

Parameter	Description	Min.	Typ.	Max.	Unit
Frequency Range		2402	-	2480	MHz
Receiver Sensitivity (*)	PER < 30.8%	-	-95	-	dBm
Max. Usable Signal	PER < 30.8%	-10	-5	-	dBm
C/I Co-channel	Co-channel selectivity (PER < 30.8%)	-	6	21	dB
C/I 1MHz	Adjacent channel selectivity (PER < 30.8%)	-	-7	15	dB
C/I 2MHz	2nd adjacent channel selectivity (PER < 30.8%)	-	-30	-17	dB
C/I ≥ 3MHz	3rd adjacent channel selectivity (PER < 30.8%)	-	-33	-27	dB
C/I Image channel	Image channel selectivity (PER < 30.8%)	-	-20	-9	dB
C/I Image 1MHz	1MHz adjacent to image channel selectivity (PER < 30.8%)	-	-30	-15	dB
Inter-modulation		-50	-35		dBm
Out-of-band Blocking	30MHz to 2000MHz	-30	-	-	dBm
	2001MHz to 2339MHz	-35	-	-	dBm
	2501MHz to 3000MHz	-35	-	-	dBm
	3001MHz to 12.75GHz	-30	-	-	dBm

3.2.5 Bluetooth LE Transmitter Specifications

The specifications in table below are measured at the antenna port, which includes the front-end loss.

Table 3-7. Bluetooth LE Transmitter Specifications

Parameter	Description	Min.	Typ.	Max.	Unit
Frequency Range		2402	-	2480	MHz
Output Power (*)	At max power output level	-20	6	10	dBm
Carrier Frequency Offset and Drift	Frequency offset	-150	-	150	kHz
	Frequency drift	-50	-	50	kHz
	Max. drift rate	-20	-	20	Hz/us
Modulation Characteristic	$\Delta f_{1_{avg}}$	225	-	275	kHz
	$\Delta f_{2_{max}}$ (For at least 99% of all $\Delta f_{2_{max}}$)	185	-	-	kHz
	$\Delta f_{2_{avg}}/\Delta f_{1_{avg}}$	0.8	0.94	-	Hz/Hz
In-band	$\pm 2M$ offset	-	-	-20	dBm
Spurious Emission	$>\pm 3MHz$ offset	-	-	-30	dBm

Note 1: The output power is measured at the antenna port.

4 Electrical Characteristics

4.1 Absolute Maximum Rating

Table 4-1 Absolute Maximum Rating

Symbol	Parameters	Maximum rating	Unit
VDD33	3.3V Supply Voltage	-0.3 to 3.63	V
T _{STG}	Storage Temperature	-40 to +125	°C
VESD	ESD protection (HBM)	2000	V

4.2 Recommended Operating Range

Table 4-2. Recommended Operating Range

Symbol	Supply Voltage	Source	Min	Typ	Max	Unit
AVDD45	AVDD45_BUCK, AVDD45_MISC	To be connected to external 3.3V supply	2.97	3.3	3.63	V
RTC_3V3	RTC_3V3	To be connected to external supply	1.6		3.63	V
AVDD33	AVDD33_WF0_A_PA, AVDD33_WF0_G_PA, AVDD33_WF0_A_TX, AVDD33_WF0_G_TX, AVDD33_BT	To be connected to external 3.3V supply	2.97	3.3	3.63	V
DVDDIO	DVDDIO_D, DVDDIO_L, DVDDIO_R	To be connected to PMU_DIO33_OUT	2.97	3.3	3.63	
AVDD25	AVDD25_AUXADC	To be connected to PMU ALDO output	2.3	2.5	2.7	V
AVDD16	AVDD16_CLDO, AVDD16_BT, AVDD16_XO, AVDD16_WF0_AFE	To be connected to PMU BUCK output	1.6	1.7	1.8	V
DVDD11	DVDD11	To be connected to PMU CLDO output	0.86	1.15	1.3	V
T _a	Operating Ambient Temperature	MT76X7N	0		70	C
		MT76x7IDN	-40		85	C
T _j	Operating Junction Temperature	MT76X7N	0		125	C
		MT76x7IDN	-40		125	C

4.3 DC Characteristics

Table 4-3. DC Characteristics

Symbol	Parameter	Conditions	MIN	MAX	Unit
V _{IL}	Input Low Voltage	LVTTL	-0.28	0.8	V
V _{IH}	Input High Voltage		2	3.63	V

Symbol	Parameter	Conditions	MIN	MAX	Unit
V _{OL}	Output Low Voltage	I _{OL} = 4~16 mA	-0.28	0.4	V
V _{OH}	Output High Voltage	I _{OH} = 4~16 mA	2.4	VDD33+0.33	V
R _{PU}	Input Pull-Up Resistance	PU=high, PD=low	40	190	KΩ
R _{PD}	Input Pull-Down Resistance	PU=low, PD=high	40	190	KΩ

4.4 XTAL Oscillator

The table below lists the XTAL requirements for the XTAL.

Table 4-4. XTAL Oscillator Requirements

Parameter	Value
Frequency	26, 40, 52MHz.
Frequency stability	±10 ppm @ 25°C
Aging	±3 ppm/year

4.5 PMU Characteristics

Table 4-5. PMU Electrical Characteristics

Parameter		Reference	Conditions	Min	Typ	Max	Unit
Switching regulator (BUCK)							
V _{in}	Input Voltage	AVDD45_BUCK		2.97	3.3	3.63	V
V _{out}	Output Voltage	LXBK	Switching operation	1.6	1.7	1.8	V
			Deep Sleep mode, SLDO-H enabled		1.8		V
I _{out}	Output Current		Switching operation			800	mA
			Deep Sleep mode, SLDO-H enabled			10	mA
			Over-current shutdown	960	1600	4000	mA
I _q	Quiescent Current		I _{load} < 1mA		150		uA
DC/DC	Line Regulation		I _{load} = 0mA			1	%
	Load regulation		I _{load} = 200-400mA			0.05	mV/mA
	Efficiency		V _{in} = 3.3V, I _{load} = 400mA	80	85		%
Core LDO (CLDO)							
V _{in}	Input	AVDD16_CLDO		1.6	1.7	1.8	V
V _{out}	Output Voltage	AVDD12_VCORE	Normal operation	0.86	1.15	1.3	V
			Deep Sleep mode, SLDO-L enabled		0.85		V

Parameter		Reference	Conditions	Min	Typ	Max	Unit
I _{out}	Output Current		Normal operation			420	mA
			Deep Sleep mode, SLDO-L enabled			10	mA
I _q	Quiescent Current				40	50	uA
Analog LDO (ALDO)							
V _{in}	Input Voltage			2.97	3.3	3.63	V
V _{out}	Output Voltage	AVDD25_ALDO	Normal operation	2.3	2.5	2.7	V
			Deep Sleep mode, OFF		0		V
I _{out}	Output Current		Normal operation			50	mA
I _q	Quiescent Current				25	50	uA
PMU							
V _{in}	Input Voltage	AVDD45, AVDD33 and DVDDIO		2.97	3.3	3.63	V
I _q	Quiescent Current		In Deep Sleep State			50	uA

4.6 Auxiliary ADC Characteristics

This section specifies the electrical characteristics of the auxiliary ADC.

Table 4-6. Auxiliary ADC Specifications

Symbol	Parameter	Min	Typical	Max	Unit
N	Resolution	-	12	-	Bit
FS	Sampling Rate @ N-Bit ⁽¹⁾	-	2	-	MSPS
V _{PP}	Input Swing ⁽²⁾	-	-	AVDD25 (2.45~2.55V)	V
V _{IN}	Input voltage ⁽³⁾	0	-	AVDD25 (2.45~2.55V)	V
R _{IN}	Input Impedance:				
	Unselected channel	400M	-	-	Ohm
	Selected channel	-	10K	-	
DNL	Differential Nonlinearity without dithering and averaging	-	± 1	± 2	LSB
INL	Integral Nonlinearity without dithering and averaging	-	± 2	± 4	LSB
DNL _{dither+average}	Differential Nonlinearity with dithering and averaging	-	± 0.5	± 1	LSB
INL _{dither+average}	Integral Nonlinearity with dithering and averaging	-	-	± 2	LSB

Symbol	Parameter	Min	Typical	Max	Unit
OE	Offset Error	-	-	± 10	mV
FSE	Full Swing Error	-	-	± 50	mV
SNR	Signal to Noise Ratio ⁽²⁾	60	63	66	dB
	Current Consumption	-	-	400	μA
	Power-Down Current	-	-	1	μA

Note 1: Given that FS=2MHz

Note 2: At 1K Hz Input Frequency

Note 3: The voltage level is lowered by 0.04V when dithering is on.

4.7 Thermal Characteristics

Θ_{JC} assumes that all the heat is dissipated through the top of the package, while Ψ_{Jt} assumes that the heat is dissipated through the top, sides, and the bottom of the package. Thus it is suggested to use Ψ_{Jt} to estimate the junction temperature.

Table 4-7. Thermal Characteristics

Symbol	Description	Performance	
		Typical	Unit
T_J	Maximum Junction Temperature (Plastic Package)	125	°C
Θ_{JA}	Junction to ambient temperature thermal resistance ^[1]	19.21	°C/W
Θ_{JC}	Junction to case temperature thermal resistance	7.33	°C/W
Ψ_{Jt}	Junction to the package thermal resistance ^[2]	1.65	°C/W

Note 1: JEDEC 51-7 system FR4 PCB size: 76.2mm x 114.3mm

Note 2: 8mm x 8mm QFN-68 package

5 Package Specifications

5.1 Pin Layout

MT76X7 uses 8mm x 8mm QFN package of 68-pin with 0.4mm pitch.

Table 5-1. Pin Map

		68	67	66	65	64	63	62	61	60	59	58	57	56	55	54	53	52		
		WF0_A_RFIO	AVDD33_WF0_A_TX	WF0_RXA_AUX_IN	AVDD33_WF0_G_TX	WF0_G_RFIOP	WF0_G_RFION	AVDD33_WF0_G_PA	WF0_RXG_AUX_IN	AVDD16_BT	AVDD33_BT	BT_RFIP	GPIO33	GPIO34	GPIO35	GPIO36	GPIO37	GPIO38		
1	AVDD33_WF0_A_PA	VSS																	SYSRST_B	51
2	AVDD16_WF0_AFE																		GPIO39	50
3	AVDD16_XO																		DVDD11	49
4	XO																		DVDDIO_L	48
5	GPIO0																		GPIO57	47
6	GPIO1																		GPIO58	46
7	GPIO2																		GPIO59	45
8	GPIO3																		GPIO60	44
9	GPIO4																		AVDD25_AUXADC	43
10	GPIO5																		AVSS25_AUXADC	42
11	GPIO6																		AVSS45_BUCK	41
12	GPIO7																		LXBK	40
13	DVDDIO_R																		AVDD45_BUCK	39
14	DVDD11																		AVDD15_V2P5NA	38
15	GPIO24																		AVDD16_CLDO	37
16	DVDDIO_D																		AVDD12_VCORE	36
17	DVDD11																		PMU_TEST	35
		GPIO25	GPIO26	RTC_3V3	RTC_32K_XO	RTC_32K_XI	PMU_EN_RTC	GPIO32	GPIO31	GPIO27	GPIO30	GPIO28	GPIO29	PMU_DIO33_OUT	AVDD25_ALDO_OUT	PMU_EN_WF	ISO_INT_PMU_EN	AVDD45_MISC		
18		18	19	20	21	22	23	24	25	26	27	28	29	30	31	32	33	34		

5.2 Pin Description

The section describes the pin functionality of MT76X7 chip.

Table 5-2. Pin Descriptions

QFN	Pin Name	Pin description	PU/PD	I/O	Supply domain
Reset and Clocks					
51	SYSRST_B	External system reset active low	PU	Input	DVDDIO
4	XO	Crystal input or external clock input	N/A	Input	AVDD16_XO
3	AVDD16_XO	RF 1.6V power supply	N/A	Power	
Programmable I/O					
5	GPIO0	Programmable input/output	PU/PD	In/out	DVDDIO
6	GPIO1	Programmable input/output	PU/PD	In/out	DVDDIO
7	GPIO2	Programmable input/output	PU/PD	In/out	DVDDIO
8	GPIO3	Programmable input/output	PU/PD	In/out	DVDDIO
9	GPIO4	Programmable input/output	PU/PD	In/out	DVDDIO
10	GPIO5	Programmable input/output	PU/PD	In/out	DVDDIO
11	GPIO6	Programmable input/output	PU/PD	In/out	DVDDIO
12	GPIO7	Programmable input/output	PU/PD	In/out	DVDDIO
15	GPIO24	Programmable input/output	PU/PD	In/out	DVDDIO
18	GPIO25	Programmable input/output	PU/PD	In/out	DVDDIO
19	GPIO26	Programmable input/output	PU/PD	In/out	DVDDIO
26	GPIO27	Programmable input/output	PU/PD	In/out	DVDDIO
28	GPIO28	Programmable input/output	PU/PD	In/out	DVDDIO
29	GPIO29	Programmable input/output	PU/PD	In/out	DVDDIO
27	GPIO30	Programmable input/output	PU/PD	In/out	DVDDIO
25	GPIO31	Programmable input/output	PU/PD	In/out	DVDDIO
24	GPIO32	Programmable input/output	PU/PD	In/out	DVDDIO
57	GPIO33	Programmable input/output	PU/PD	In/out	DVDDIO
56	GPIO34	Programmable input/output	PU/PD	In/out	DVDDIO
55	GPIO35	Programmable input/output	PU/PD	In/out	DVDDIO
54	GPIO36	Programmable input/output	PU/PD	In/out	DVDDIO
53	GPIO37	Programmable input/output	PU/PD	In/out	DVDDIO

QFN	Pin Name	Pin description	PU/PD	I/O	Supply domain
52	GPIO38	Programmable input/output	PU/PD	In/out	DVDDIO
50	GPIO39	Programmable input/output	PU/PD	In/out	DVDDIO
47	GPIO57	Programmable input/output	PU/PD	In/out	DVDDIO
46	GPIO58	Programmable input/output	PU/PD	In/out	DVDDIO
45	GPIO59	Programmable input/output	PU/PD	In/out	DVDDIO
44	GPIO60	Programmable input/output	PU/PD	In/out	DVDDIO
RTC					
20	VRTC	RTC domain power supply	N/A	Power	
21	RTC_32K_XO	32KHz crystal	N/A	Analog	VRTC
22	RTC_32K_XI	32KHz crystal	N/A	Analog	VRTC
23	PMU_EN_RTC	PMU enable	N/A	Output	VRTC
WIFI Radio Interface					
1	AVDD33_WF0_A_PA	RF 3.3v power supply	N/A	Power	
62	AVDD33_WF0_G_PA	RF 3.3v power supply	N/A	Power	
67	AVDD33_WF0_A_TX	RF 3.3v power supply	N/A	Power	
65	AVDD33_WF0_G_TX	RF 3.3v power supply	N/A	Power	
2	AVDD16_WF0_AFE	RF 1.6v power supply	N/A	Power	
68	WF0_A_RFIO	RF a-band RF port	N/A	Input	AVDD33_WF0_A
66	WF0_RXA_AUX_IN	RF a-band auxiliary RF LNA port	N/A	Input	AVDD33_WF0_A
61	WF0_RXG_AUX_IN	RF g-band auxiliary RF LNA port	N/A	Input	AVDD33_WF0_G
64	WF0_G_RFIO	RF g-band RF port	N/A	In/out	AVDD33_WF0_G
63	WF0_G_RFION	RF g-band RF port	N/A	In/out	AVDD33_WF0_G
Bluetooth Radio Interface					
59	AVDD33_BT	RF 3.3v power supply	N/A	Power	
60	AVDD16_BT	RF 1.6v power supply	N/A	Power	
58	BT_RFIO	RF Bluetooth port	N/A	In/out	AVDD33_BT
PMU/BUCK					
41	AVSS45_BUCK	BUCK ground	N/A	Ground	
40	LXBK	BUCK output	N/A	Output	
39	AVDD45_BUCK	BUCK power supply	N/A	Input	
38	AVDD15_V2P5NA	BUCK internal circuit output cap	N/A	Output	
37	AVDD16_CLDO	CLDO supply	N/A	Input	
36	AVDD12_VCORE	CLDO output	N/A	Output	

QFN	Pin Name	Pin description	PU/PD	I/O	Supply domain
34	AVDD45_MISC	PMU supply	N/A	Input	
31	AVDD25_ALDO_OUT	2.5V ALDO output with external cap.	N/A	Output	
30	PMU_DIO33_OUT	This pin output is to provide 3.3V for all DVDDIO. And in OFF mode, this pin is 0V.	N/A	Output	
35	PMU_TEST	PMU test pin	N/A	Output	
33	ISO_INT_PMU_EN	Input 0V for non-RTC platform. Input 3.3V for RTC platform.	N/A	Input	
32	PMU_EN_WF	External PMU enable	N/A	Input	
Power Supplies					
43	AVDD25_AUXADC	Auxiliary ADC 2.5v power supply	N/A	Power	
42	AVSS25_AUXADC	Auxiliary ADC ground	N/A	Ground	
13	DVDDIO_R	Digital 3.3V input	N/A	Power	
16	DVDDIO_D	Digital 3.3V input	N/A	Power	
48	DVDDIO_L	Digital 3.3V input	N/A	Power	
14, 17, 30, 49	DVDD11	Digital 1.15V input	N/A	Power	
E-PAD	VSS	Common Ground	N/A	Ground	

5.3 Pin Multiplexing

The pin multiplexing could be controlled via the configuration register A (in TOP_AON domain) and the configuration register B (in TOP_OFF/N9 domain). When configuration register A is set to 0, the configuration register B determines the pin function. When configuration register A is not set to 0, the configuration register A determines the pin function.

Please be notified that the “-” symbol in Table 5-3 is “don’t care”, means either TOP_AON domain or TOP_OFF domain doesn’t have pin multiplexing option in this entry.

The default function of each pin is highlighted with blue background.

The driving strength of all pins is programmable: 4mA, 8mA, 12mA, and 16mA. The default setting for all pins are 4mA.

Table 5-3. Pin Multiplexing

Pin	Pin alias	APGIO/ GPIO	Name	Dir	Default dir	Default PU/PD	Description	Pinx_pinmux_aon_sel		Pinx_pinmux_off_sel	
								Address	Value	Address	Value

Pin	Pin alias	APGIO/ GPIO	Name	Dir	Default dir	Default PU/PD	Description	Pinx_pinmux_aon_sel	Pinx_pinmux_off_sel		
5	GPIO0	AGPIO	MCU_JTCK	I	I	PD	N9 JTAG debug port	0x8102_3020[3:0]	0	0x8002_5100[3:0] (0x8102_3020[3:0]=0)	0
			ANTSEL[0]	O			RF control		-		1
			UART0_RTS_CM4	O			UART0 RTS (CM4)		7		3
			GPIO_TOPOFF[0]	I/O			General purpose input output		-		5
			GPIO_TOPAON[0]	O			General purpose input output		8		-
			PWM[0]	I/O			Pulse-width-modulated output		9		-
			EINT[0]	I			External interrupt		3		-
6	GPIO1	AGPIO	MCU_JTMS	I	I	PD	N9 JTAG debug port	0x8102_3020[7:4]	0	0x8002_5100[7:4] (0x8102_3020[7:4]=0)	0
			ANTSEL[1]	O			RF control		-		1
			UART0_CTS_CM4	I			UART0 CTS (CM4)		7		3
			GPIO_TOPOFF[1]	I/O			General purpose input output		-		5
			GPIO_TOPAON[1]	I/O			General purpose input output		8		-
			PWM[1]	O			Pulse-width-modulated output		9		-
			EINT[1]	I			External interrupt		3		-
7	GPIO2	AGPIO	MCU_JTDI	I	I	PD	N9 JTAG debug port	0x8102_3020[11:8]	0	0x8002_5100[11:8] (0x8102_3020[11:8]=0)	0
			ANTSEL[2]	O			RF control		-		1
			MCU_AICE_TMISC	I/O			N9 debug		-		2
			UART0_RX_CM4	I			UART0 RX (CM4)		7		3
			SWD_CLK	O			CM4 SWD debug port		4		4
			GPIO_TOPOFF[2]	I/O			General purpose input output		-		5
			GPIO_TOPAON[2]	I/O			General purpose input output		8		-
			PWM[23]	O			Pulse-width-modulated output		9		-
WIC[0]	I			External interrupt	3	-					
8	GPIO3	AGPIO	MCU_JTRST_B	I	I	PD	N9 JTAG debug port	0x8102_3020[15:12]	0	0x8002_5100[15:12] (0x8102_3020[15:12]=0)	0
			ANTSEL[3]	O			RF control		-		1
			[Reserved]	I			[Reserved]		-		2
			UART0_TX_CM4	O			UART0 TX (CM4)		7		3
			SWD_DIO	I/O			CM4 SWD debug port		4		4
			GPIO_TOPOFF[3]	I/O			General purpose input output		-		5
			GPIO_TOPAON[3]	I/O			General purpose input output		8		-
			PWM[24]	O			Pulse-width-modulated output		9		-
			EINT[2]	I			External interrupt		3		-
PULSE_CNT	I			Pulse counter	2	-					
9	GPIO4	GPIO	MCU_DBGIN	I	I	PD	N9 JTAG debug port	0x8102_3020[19:16]	0	0x8002_5100[19:16] (0x8102_3020[19:16]=0)	0
			ANTSEL[4]	O			RF control		-		1
			MCU_AICE_TCKC	I			N9 debug		-		-
			SPI_DATA0_EXT *	I/O			External flash interface		7		3
			GPIO_TOPOFF[4]	I/O			General purpose input output		-		5
			GPIO_TOPAON[4]	I/O			General purpose input output		8		-
			PWM[2]	O			Pulse-width-modulated output		9		-
EINT[3]	I			External interrupt	3	-					
10	GPIO5	GPIO	[Debug flag]	O	O(Lo w)		Debug monitor pin	0x8102_3020[23:20]	0	0x8002_5100[23:20] (0x8102_3020[23:20]=0)	0
			ANTSEL[5]	O			RF control		-		1
			SPI_DATA1_EXT *	O			External flash interface		7		3
			GPIO_TOPOFF[5]	I/O	I		General purpose input output		-		5
			GPIO_TOPAON[5]	I/O			General purpose input output		8		-
			PWM[3]	O			Pulse-width-modulated output		9		-
EINT[4]	I			External interrupt	3	-					
11	GPIO6	GPIO	MCU_DBGACKN	O	O		N9 JTAG debug port	0x8102_3020[27:24]	0	0x8002_5100[27:24] (0x8102_3020[27:24]=0)	0
			ANTSEL[6]	O			RF control		-		1
			SPI_CS_1_M_CM4	O			SPI master chip select 1		7		3
			GPIO_TOPOFF[6]	I/O			General purpose input output		-		5
			GPIO_TOPAON[6]	I/O			General purpose input output		8		-
			PWM[4]	O			Pulse-width-modulated output		9		-
EINT[5]	I			External interrupt	3	-					

Pin	Pin alias	APGIO/ GPIO	Name	Dir	Default dir	Default PU/PD	Description	Pinx_pinmux_aon_sel		Pinx_pinmux_off_sel	
12	GPIO7	GPIO	MCU_JTDO	O	O(Low)		N9 JTAG debug port	0x8102_3020[31:28]	0	0x8002_5100[31:28] (0x8102_3020[31:28]=0)	0
			ANTSEL[7]	O			RF control		-		1
			SPI_CS_0_M_CM4	O			SPI master chip select 0		6		2
			SPI_CS_EXT *	O			External flash interface		7		3
			GPIO_TOPOFF[7]	I/O			General purpose input output		-		5
			GPIO_TOPAON[7]				General purpose input output		8		-
			PWM[5]	O			Pulse-width-modulated output		9		-
			EINT[6]	I			External interrupt		3		-
15	GPIO24	GPIO	[Reserved]				[Reserved]	0x8102_302C[3:0]	-	0x8002_510C[3:0] (0x8102_302C[2:0]=0)	0
			UART_DSN_TXD_N9	O			UART_DSN TX (N9)		-		1
			SPI_MOSI_M_CM4	O			SPI master MOSI		6		2
			SPI_DATA2_EXT *	I/O			External flash interface		7		3
			I2C1_CLK	I/O			I2C1 CLK		4		4
			GPIO_TOPOFF[24]	I/O			General purpose input output		-		5
			GPIO_TOPAON[24]	I/O			General purpose input output		8		-
			PWM[25]	O			Pulse width modulation		9		-
			[Reserved]	I	I	PU	[Reserved]		1		-
[Reserved]	O			[Reserved]	2	-					
18	GPIO25	GPIO	[Reserved]				[Reserved]	0x8102_302C[7:4]	-	0x8002_510C[7:4] (0x8102_302C[7:4]=0)	0
			SPI_MISO_M_CM4	I			SPI master MISO		-		2
			SPI_DATA3_EXT *	I/O			External flash interface		7		3
			I2C1_DATA	I/O			I2C1 DATA		4		4
			GPIO_TOPOFF[25]	I/O			General purpose input output		-		5
			GPIO_TOPAON[25]	I/O			General purpose input output		8		-
			PWM[26]	O			Pulse width modulation		9		-
			[Reserved]	I/O	O	PU	Default: Low.		1		-
FRAME_SYNC *	I			3DD synchronization	2	-					
WIC[1]	I			External interrupt	3	-					
19	GPIO26	GPIO	[Reserved]				[Reserved]	0x8102_302C[11:8]	-	0x8002_510C[11:8] (0x8102_302C[11:8]=0)	0
			SPI_SCK_M_CM4	O			SPI master SCK		6		2
			SPI_CLK_EXT *	O			External flash interface		7		3
			I2S_TX	O			I2S master TX		4		4
			GPIO_TOPOFF[26]	I/O			General purpose input output		-		5
			GPIO_TOPAON[26]	I/O			General purpose input output		8		-
			PWM[27]	O			Pulse width modulation		9		-
[Reserved]	I/O	O	PU	Default: Low.	1	-					
26	GPIO27	GPIO	SWD_DIO	I/O			CM4 SWD debug port	0x8102_302C[15:12]	5	0x8002_510C[15:12] (0x8102_302C[15:12]=0)	1
			I2C0_CLK	O			I2C0 CLK		7		3
			GPIO_TOPOFF[27]	I/O			General purpose input output		-		5
			GPIO_TOPAON[27]	I/O			General purpose input output		8		-
			PWM[28]	O			Pulse width modulation		9		-
			[Reserved]	I	I		[Reserved]		1		-
PULSE_CNT	I			Pulse counter input	2	-					
WIC[2]	I			External interrupt	3	-					
28	GPIO28	GPIO	SWD_CLK	I			CM4 SWD debug port	0x8102_302C[19:16]	5	0x8002_510C[19:16] (0x8102_302C[19:16]=0)	1
			SPI_INT_S_N9	O			SPI		-		2
			I2C0_DATA	O			I2C0 DATA		4		3
			GPIO_TOPOFF[28]	I/O			General purpose input output		0		5
			GPIO_TOPAON[28]	I/O			General purpose input output		8		-
			PWM[29]	O			Pulse width modulation		9		-
[Reserved]	I/O	I		[Reserved]	1	-					
29	GPIO29	GPIO	I2S_MCLK_S	O			I2S MCLK slave	0x8102_302C[23:20]	-	0x8002_510C[23:20] (0x8102_302C[23:20]=0)	0
			SPI_MOSI_S_CM4	I			SPI slave MOSI (CM4)		6		1
			SPI_MOSI_S_N9	I			SPI slave MOSI (N9)		-		2
			SPI_MOSI_M_CM4	O			SPI master MOSI		7		3

Pin	Pin alias	APGIO/ GPIO	Name	Dir	Default dir	Default PU/PD	Description	Pinx_pinmux_aon_sel		Pinx_pinmux_off_sel	
			I2S_MCLK	O			I2S MCLK master		4		4
			GPIO_TOPOFF[29]	I/O			General purpose input output		-		5
			GPIO_TOPAON[29]	I/O			General purpose input output		8		-
			PWM[30]	O			Pulse width modulation		9		-
			[Reserved]	I/O	I		[Reserved]		1		-
			HOST_ACK	O					2		-
			WIC[3]	I			External interrupt		3		-
27	GPIO30	GPIO	I2S_FS_M	O			I2S FS master	0x8102_302C[27:24]	5	0x8002_5108[27:24] (0x8102_302C[27:24]=0)	0
			SPI_MISO_S_CM4	O			SPI slave MISO (CM4)		6		1
			SPI_MISO_S_N9	O			SPI slave MISO (N9)		0		2
			SPI_MISO_M_CM4	I			SPI master MISO		7		3
			I2S_FS	I			I2S slave FS		4		4
			GPIO_TOPOFF[30]	I/O			General purpose input output		0		5
			GPIO_TOPAON[30]	I/O			General purpose input output		8		-
			PWM[31]	O			Pulse width modulation		9		-
			[Reserved]	I/O	I		[Reserved]		1		-
HOST_EINT_B	I				2	-					
25	GPIO31	GPIO	I2S_TX	O			I2S TX	0x8102_302C[31:28]	5	0x8002_510C[31:28] (0x8102_302C[31:28]=0)	0
			SPI_SCK_S_CM4	I			SPI slave SCK (CM4)		6		1
			SPI_SCK_S_N9	I			SPI slave SCK (N9)		-		2
			SPI_SCK_M	O			SPI master SCK		7		3
			I2S_RX	I			I2S slave RX		4		4
			GPIO_TOPOFF[31]	I/O			General purpose input output		-		5
			GPIO_TOPAON[31]	I/O			General purpose input output		8		-
			PWM[32]	O			Pulse width modulation		9		-
[Reserved]	I/O	I		[Reserved]	1	-					
24	GPIO32	GPIO	I2S_BCLK_M	O			I2S slave BCLK	0x8102_3030[3:0]	5	0x8002_5110 [3:0] (0x8102_3030[3:0]=0)	0
			SPI_CS_0_S_CM4	I			SPI slave CS (CM4)		6		1
			SPI_CS_0_S_N9	I			SPI slave CS (N9)		-		2
			SPI_CS_0_M	O			SPI master CS		7		3
			I2S_BCLK	I			I2S BCLK slave		4		4
			GPIO_TOPOFF[32]	I/O			General purpose input output		-		5
			GPIO_TOPAON[32]	I/O			General purpose input output		8		-
			PWM[33]	O			Pulse width modulation		9		-
			[Reserved]	I/O	I		[Reserved]		1		-
WIC[4]	I			External interrupt	3	-					
57	GPIO33	AGPIO	WIFI_INT_B	I/O	O	PU	External interrupt	0x8102_3030 [7:4]	0	0x8002_5110 [7:4] (0x8102_3030 [7:4]=0)	0
			ALL_INT_B	I/O			External interrupt		-		1
			SWD_DIO	I/O			CM4 SWD debug port		6		2
			IR_TX	O			IrDA TX		7		3
			ANTSEL[5]	O			RF control		4		4
			GPIO_TOPOFF[33]	I/O			General purpose input output		-		5
			GPIO_TOPAON[33]	I/O			General purpose input output		8		-
			PWM[34]	O			Pulse width modulation		9		-
			PULSE_CNT	I			Pulse counter		1		-
WF_LED_B	O			LED output	2	-					
WIC[5]	I			External interrupt	3	-					
56	GPIO34	AGPIO	BT_INT_B	I/O	O	PU	External interrupt	0x8102_3030 [11:8]	0	0x8002_5110 [11:8] (0x8102_3030 [11:8]=0)	0
			ALL_INT_B	I/O					-		1
			SWD_CLK	I			CM4 SWD debug port		6		2
			IR_RX	I			IrDA RX		7		3
			ANTSEL[6]	O			RF control		4		4
			GPIO_TOPOFF[34]	I/O			General purpose input output		-		5
			GPIO_TOPAON[34]	I/O			General purpose input output		8		-
			PWM[35]	O			Pulse width modulation		9		-
FRAME_SYNC *	I			3DD synchronization	1	-					

Pin	Pin alias	APGIO/ GPIO	Name	Dir	Default dir	Default PU/PD	Description	Pinx_pinmux_aon_sel		Pinx_pinmux_off_sel			
55	GPIO35	GPIO	BT_LED_B	I/O			LED output		2		-		
			WIC[6]	I			External interrupt		3		-		
			UART_DSN_TXD_N9	O	O	PD	UART DSN TX (N9)	0x8102_3030 [15:12]	0	0x8002_5110 [15:12] (0x8102_3030 [15:12]=0)	0		
			UART_DBG_CM4	O			UART DBG TX (CM4)		7		3		
			GPIO_TOPOFF[35]	I/O			General purpose input output		-		5		
			GPIO_TOPAON[35]	I/O			General purpose input output		8		-		
PWM[18]	O			Pulse-width-modulated output	9	-							
54	GPIO36	GPIO	[Reserved]				[Reserved]		-		0		
			S2A_SPI_IN	I			SPI input		-		1		
			UART1_RX_CM4	I			UART1 RX (CM4)		7		3		
			GPIO_TOPOFF[36]	I/O			General purpose input output		-	0x8002_5110 [19:16] (0x8102_3030 [19:16]=0)	5		
			GPIO_TOPAON[36]	I/O			General purpose input output		8		-		
			PWM[19]	O			Pulse-width-modulated output		9		-		
			UART_RXD_N9	I	I	PU	UART RX (N9)		1		-		
			WIC[7]	I			External interrupt		3		-		
53	GPIO37	GPIO	UART_TXD_N9	O	O	PD	UART TX (N9)	0x8102_3030 [23:20]	0	0x8002_5110 [23:20] (0x8102_3030 [23:20]=0)	0		
			UART1_TX_CM4	O			UART1 TX (CM4)		7		3		
			GPIO_TOPOFF[37]	I/O			General purpose input output				-	5	
			GPIO_TOPAON[37]	I/O			General purpose input output				8	-	
			PWM[20]	O			Pulse-width-modulated output				9	-	
			EINT[20]	I			External interrupt				3		-
52	GPIO38	GPIO	UART_RTS_N9	O	O	PD	UART RTS (N9)	0x8102_3030 [27:24]	0	0x8002_5110 [27:24] (0x8102_3030 [26:24]=0)	0		
			PTA_EINT_B	I			Packet traffic arbitration				-	1	
			IDC_DATA_OUT	O			UART IDC TX (N9)				-	2	
			UART1_RTS_CM4	O			UART1 RTS (CM4)				7	3	
			GPIO_TOPOFF[38]	I/O			General purpose input output				-	5	
			GPIO_TOPAON[38]	I/O			General purpose input output				8	-	
			PWM[21]	O			Pulse-width-modulated output				9	-	
			WF_LED_B	I/O			LED output				2	-	
			EINT[21]	I			External interrupt				3		-
			SWD_DIO	I/O			CM4 SWD debug port				6		-
50	GPIO39	GPIO	UART_CTS_N9	I	I	PU	UART CTS (N9)	0x8102_3030 [31:28]	0	0x8002_5110 [31:28] (0x8102_3030 [31:28]=0)	0		
			PTA_EINT_B	I			Packet traffic arbitration				-	1	
			IDC_DATA_IN	I			UART IDC RX (N9)				-	2	
			UART1_CTS_CM4	O			UART1 CTS (CM4)				7	3	
			[Reserved]				[Reserved]				-	4	
			GPIO_TOPOFF[39]	I/O			General purpose input output				-	5	
			GPIO_TOPAON[39]	I/O			General purpose input output				8	-	
			PWM[22]	O			Pulse-width-modulated output				9	-	
			PULSE_COUNT *	I			Pulse counter				1	-	
			BT_LED_B	I/O			LED output				2	-	
			EINT[22]	I			External interrupt				3		-
47	GPIO57	AGPIO	PCM_CLK	I/O			PCM interface for Bluetooth	0x8102_303C [7:4] (0x8102_300C[6]=0)	-	0x8002_511C [7:4] (0x8102_303C [7:4]=0, 0x8102_300C[6]=0)	0		
			S2A_SPI_CK	I					-		1		
			MCU_AICE_TCKC	I			N9 debug				-	2	
			GPIO_TOPOFF[57]	I/O			General purpose input output				-	5	
			GPIO_TOPAON[57]	I/O			General purpose input output				8	-	
			PWM[36]	O			Pulse-width-modulated output				9	-	
			[Reserved]	I	I	PU	[Reserved]				1	-	
			WIC[8]	I			External interrupt				3		-
46	GPIO58	AGPIO	ADC_IN0	I			Auxiliary ADC input	0x8102_300C[6]	-		0		
			PCM_SYNC	I/O			PCM interface for Bluetooth		-		1		
			S2A_SPI_OUT	O					-		1		
			MCU_AICE_TMSC	I/O			N9 debug		-		2		
GPIO_TOPOFF[58]	I/O			General purpose input output		-		5					

Pin	Pin alias	APGIO/ GPIO	Name	Dir	Default dir	Default PU/PD	Description	Pinx_pinmux_aon_sel		Pinx_pinmux_off_sel		
			GPIO_TOPAON[58]	I/O			General purpose input output		8		-	
			PWM[37]	O			Pulse-width-modulated output		9		-	
			[Reserved]	I	I	PU	[Reserved]		1		-	
			WIC[9]	I			External interrupt		3		-	
			ADC_IN1	I			Auxiliary ADC input	0x8102_300C[7]	1		-	
45	GPIO59	AGPIO	PCM_OUT	O			PCM interface for Bluetooth		-		0	
			UART_DSN_TXD_N9	O			UART DSN TX (N9)		-		1	
			SWD_DIO	I/O	I		CM4 debug port		6		2	
			GPIO_TOPOFF[59]	I/O			General purpose input output		-		5	
			GPIO_TOPAON[59]	I/O			General purpose input output	0x8102_303C [15:12] (0x8102_300C[8]=0)	8		0x8002_511C [15:12] (0x8102_303C [15:12]=0, 0x8102_300C[8]=0)	-
			PWM[38]	O			Pulse-width-modulated output		9		-	
			WF_LED_B	I/O			LED output		1		-	
			WIC[10]	I			External interrupt		3		-	
44	GPIO60	AGPIO	ADC_IN2	I			Auxiliary ADC input	0x8102_300C[8]	1		-	
			PCM_IN	I			PCM interface for Bluetooth		-		0	
			SWD_CLK	I	I		CM4 SWD debug port		6		2	
			GPIO_TOPOFF[60]	I/O			General purpose input output		-		5	
			GPIO_TOPAON[[60]	I/O			General purpose input output	0x8102_303C [19:16]=0 (0x8102_300C[9]=0)	8		0x8002_511C [19:16] (0x8102_303C [19:16]=0, 0x8102_300C[9]=0)	-
			PWM[39]	O			Pulse-width-modulated output		9		-	
			BT_LED_B	I/O			LED output		1		-	
			PULSE_CNT	I			Pulse counter input		2		-	
WIC[11]	I			External interrupt		3		-				
			ADC_IN3	I			Auxiliary ADC input	0x8102_300C[9]	1		-	

Note: * not used in MT7697D, - means don't care.

5.4 Bootstrap

The section describes the bootstrap function.

The chip modes are sensed from the device pin during power up. After chip reset, the pull configuration are stored in a register and determine the device operation mode.

Table 5-4. Bootstrap Option– Flash Access Mode

Flash Access Mode	PIN53 (GPIO37)	Description
Normal mode	Pull-down ⁽¹⁾	Firmware jumps to flash.
Recovery mode	Pull-up	Firmware does not jump to flash and wait for UART command.
		This mode is used for the firmware to jump to SYSRAM after downloading code from UART.

Note 1: No external pull-down resistor is required because internal pull-down is active during power up.

Table 5-5. Bootstrap Option – XTAL Clock Mode

XTAL Clock Mode	PIN12 (GPIO7)	PIN52 (GPIO38)	Description
40MHz	Pull-down	Pull-up	Uses 40MHz XTAL.
26MHz	Pull-up	Pull-down ⁽¹⁾	Uses 26MHz XTAL.
52MHz	Pull-up	Pull-up	Uses 52MHz XTAL.

Note 1: No external pull-down resistor is required because internal pull-down is active during power up.

Table 5-6. Bootstrap Option – 32KHz Clock Mode

32KHz clock mode	PIN11 (GPIO6)	Description
Internal 32KHz clock	Pull-down	32KHz clock sources from 40/26/52MHz clock.
External 32KHz clock	Pull-up	32KHz clock sources from external pin.

Table 5-7. Bootstrap Option — Chip Mode

Chip mode	PIN55 (GPIO35)	PIN10 (GPIO5)	PIN11 (GPIO6)	PIN12 (GPIO7)	PIN52 (GPIO38)	Description
Normal mode	Pull-down ⁽¹⁾	Don't care	32KHz clock mode control	XTAL clock mode control		Chip operates in normal mode.
Test mode	Pull-up					Chip operates in test mode.

Note 1: No external pull-down resistor is required because internal pull-down is active during power up.

Note 2: When in test mode, the XTAL input clock is 40MHz only.

Pins 10, 11, 12, 52, 53, and 55 are used for bootstrap. The system design should follow the following guideline:

- Those pins shall not be used as input functions because the signals from another device might affect the values sensed.
- Those pins shall not be used as an open-drain function because the pull-up resistor would affect the values sensed.

5.5 Package information

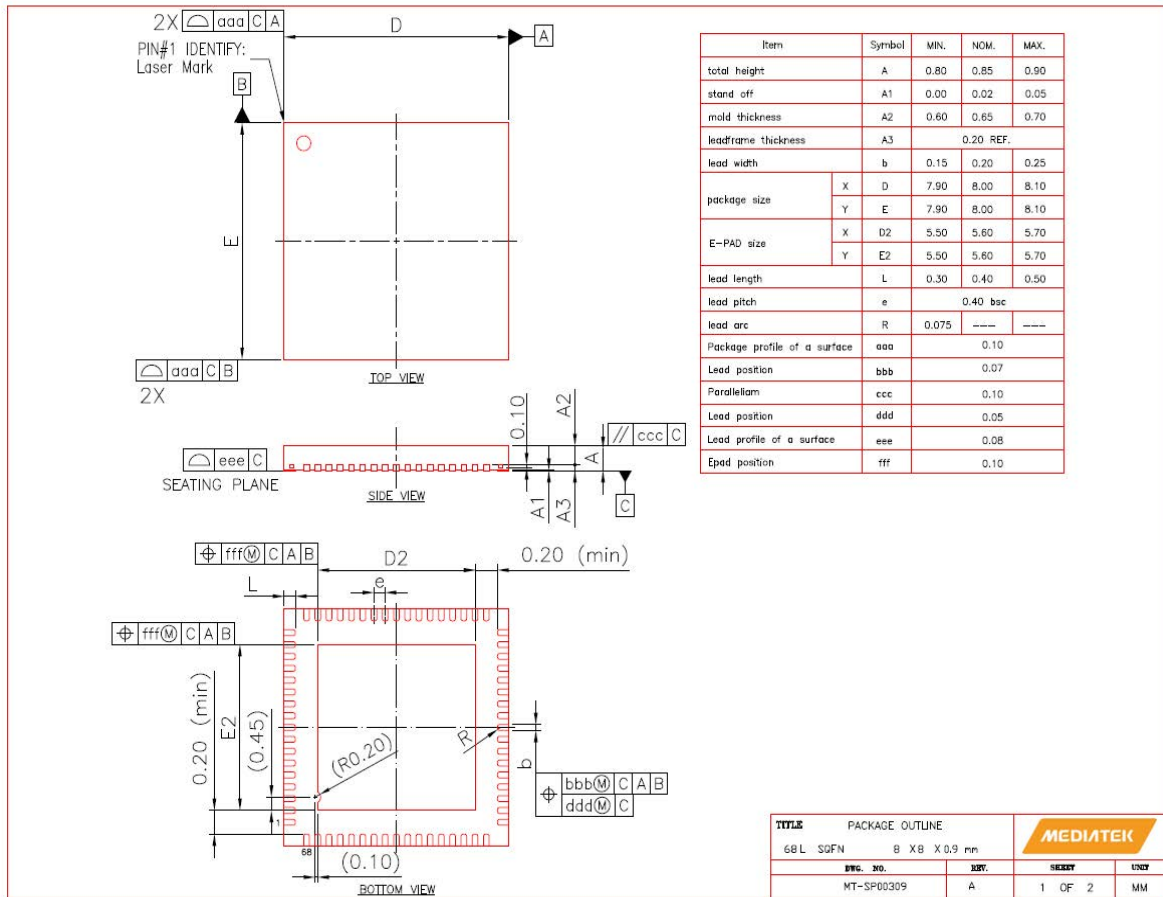


Figure 5-1. Package Outline Drawing

5.6 Ordering information

Table 5-8. Ordering Information

Part number	Package	Operational temperature range
MT7687FN MT7697N MT7697DN	8mm x 8mm x 0.8 mm QFN68	0~70°C
MT7687FIN MT7697IN MT7697DIN	8mm x 8mm x 0.8 mm QFN68	-40~85°C

5.7 Top Marking

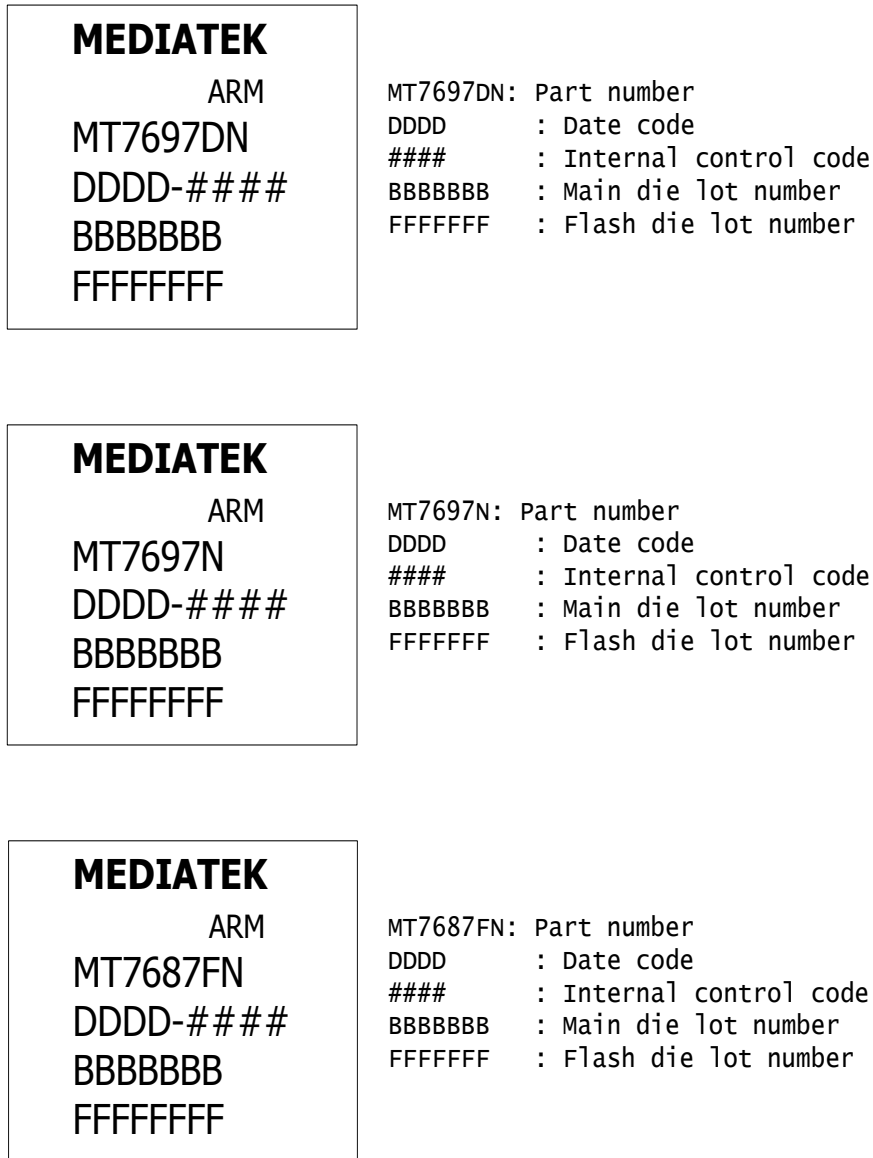


Figure 5-2. Top Marking