

### DESCRIPTION

MT7933 is a single-stage, primary side control AC-DC LED driver with active power factor correction. MT7933 integrates on-chip PFC circuit operates in critical conduction mode (CRM) to achieve high power factor and reduce the power MOSFET switching loss. With MAXIC Proprietary control technique, precision LED current is achieved without secondary side sense and feedback circuit including opto-coupler.

MT7933 provides various protections, such as over current protection (OCP), over voltage protection (OVP), short circuit protection (SCP) and over temperature protection (OTP), etc, to improve system reliability.

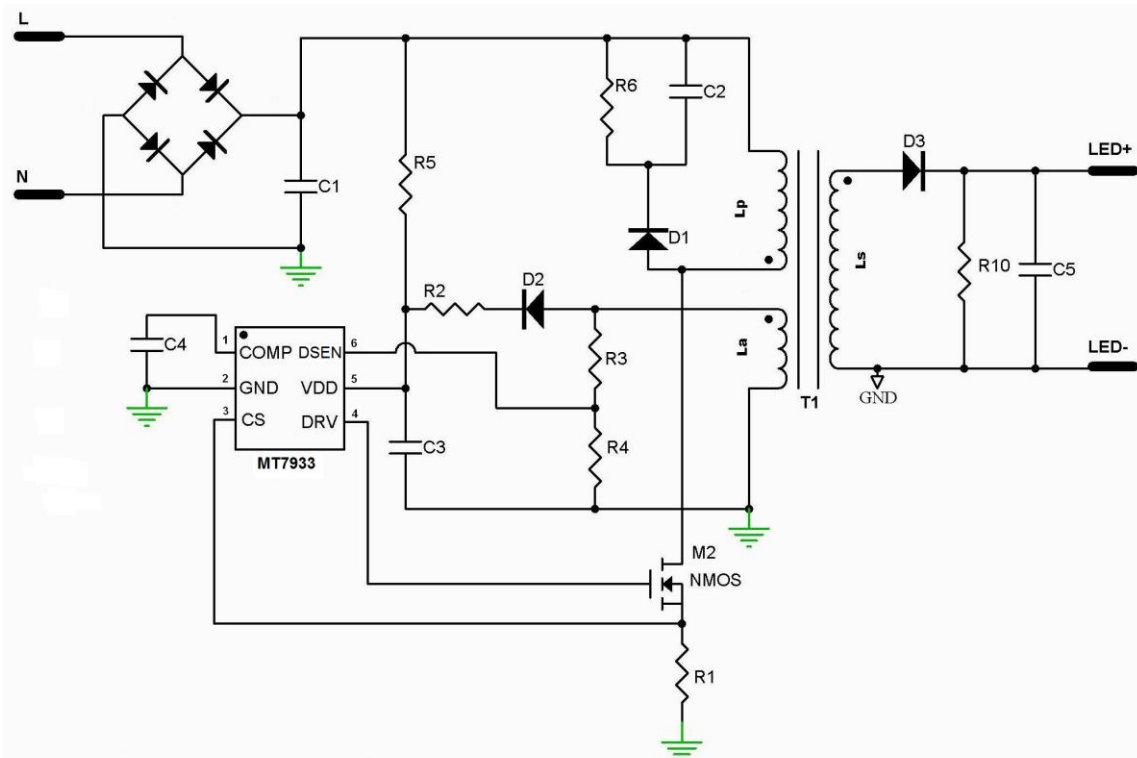
### FEATURES

- Single-stage Active PFC for high power factor and low THD
- Primary side control eliminates opto-coupler
- High precision LED current (+/-3%)
- Critical Conduction Mode operation
- Up to 20W driving capability.
- Cycle-by-cycle current limiting
- Under-voltage lockout (UVLO) protection
- VDD and output over voltage protection
- Adjustable constant current and output power setting
- Power on soft-start
- Compact SOT23-6 package

### APPLICATIONS

- AC/DC LED driver applications
- Signal and decorative LED lighting
- E14/E27/PAR30/PAR38/GU10 LED lamp
- T8/T10 LED String

### Typical Application Circuit



**ABSOLUTE MAXIMUM RATINGS**

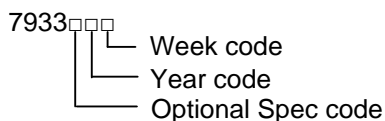
VDD Voltage	-0.3V to VDD Clamp
DRV Pin Voltage	-0.3V to 24V
COMP/CS/DSEN Pins Voltage	-0.3V to 5V
Power Dissipation ( TA=25°C, SOT23-6)	0.6W
Lead Temperature (soldering, 10 sec.)	260°C
Storage Temperature	-55°C to 150°C

**Recommended operating conditions**

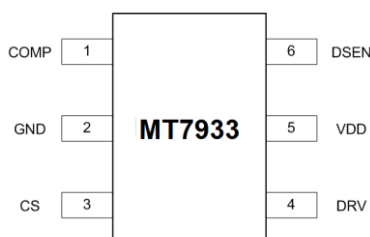
Supply voltage	7.2V to 23V
Operating Temperature	-40°C to 105°C

**Thermal resistance<sup>①</sup>**

Junction to ambient (R <sub>θJA</sub> )	170°C/W
Junction to Case (R <sub>θJC</sub> )	130°C/W

**Ordering information**


Device	Package Type	Quantity per reel	Device mark
MT7933	SOT23-6	3000	7933

**PIN CONFIGURATIONS**

**PIN DESCRIPTION**

Name	Pin No.	Description
COMP	1	Internal EA's output. Connect a capacitor to ground for frequency compensation.
GND	2	Ground.
CS	3	Current Sense Pin.
DRV	4	Gate drive output for primary MOSFET.
VDD	5	Power Supply.
DSEN	6	The voltage feedback from auxiliary winding. Connected to a resistor divider from auxiliary winding to sense output voltage.

**ELECTRICAL CHARACTERISTICS**

 (Test conditions:  $V_{DD}=12V$ ,  $T_A=25^{\circ}C$  unless otherwise stated.)

Symbol	Parameter	Conditions	Min	Typ	Max	Unit
<b>Start-up (VDD pin)</b>						
$I_{START}$	Start up Current			25	50	$\mu A$
UVLO	Lower Threshold Voltage of $V_{DD}$	$V_{DD}$ Pin ramp down		7.2		V
$V_{START}$	Start-up Voltage	$V_{DD}$ Pin ramp up		18		V
<b>Supply Current</b>						
$I_q$	Quiescent Current	No switching		1.2		mA
<b>Control Loop</b>						
$V_{FB}$	Primary Current Sense Voltage		392	400	408	mV
$V_{COMPH}$	Upper Limit of COMP			2.0		V
SCP	Short Circuit Protection Threshold at DSEN pin			400		mV
OVP1	Over Voltage Protection Threshold at VDD pin			24		V
OVP2	Over Voltage Protection Threshold at DSEN			3.2		V
$T_{OFF\_min}$	Minimum OFF time			6.4		us
<b>Current Sense (CS pin)</b>						
LEB	Leading Edge Blanking of CS			240		nS
OCP	Over Current Protection at CS pin			1.8		V
<b>Thermal Protection</b>						
OTP	Over temperature protection			150		$^{\circ}C$
	Over temperature release hysteresis			20		$^{\circ}C$
<b>Drive Stage (DRV pin)</b>						
$T_R$	Rising Time	CL=1nF, DRV Pin Falls from $V_{DD}$ to 0V		50 <sup>②</sup>		nS
$T_F$	Falling Time	CL=1nF, DRV Pin Rises from 0V to $V_{DD}$		30 <sup>②</sup>		nS

**Note:**

①  $R_{\theta JA}$  is measured in the natural convection at  $T_A = 25^{\circ}C$  on a low effective single layer thermal conductivity test board of JEDEC 51-3 thermal measurement standard. Test condition: Device mounted on 2" X 2" FR-4 substrate PCB, 2oz copper, with minimum recommended pad on top layer and thermal vias to bottom layer ground plane.

② Guaranteed by design.

### APPLICATION INFORMATION

MT7933 is a primary-side controller for AC-DC LED driver. The LED current can be accurately regulated through sensing the primary side information to realize real current control. MT7933 integrates power factor correction function to eliminate pollution to the AC line and works in CRM (Critical Conduction Mode).

#### Real Current Control

MT7933 accurately regulate LED current through sensing the primary side information. The LED current can be easily set as following (refer to the application circuit in page 1):

$$I_{LED} = \frac{1}{2} \frac{N_p}{N_s} \frac{V_{FB}}{R_s}$$

Where  $N_p$  is primary winding,  $N_s$  is secondary winding;  $V_{FB}$  (=400mV) is the internal voltage reference and  $R_s$  is an external current sensing resistor.

#### Start Up

During start-up process, VDD is charged through a start-up resistor. As VDD reaches 18V, COMP is pre-charged by internal circuit. After COMP reaches 0.8V, the internal control loop is well settled, which is considered as "LoopOK". Then PWM signal is send to DRV Pin to power up the convertor.

The power supply is taken over by the auxiliary winding once the voltage of this winding is high enough.

The PWM signal is shut down after VDD goes below 7.2V (UVLO threshold voltage). Meanwhile, COMP is discharged to ground. The whole start-up procedure is shown in Fig.1.

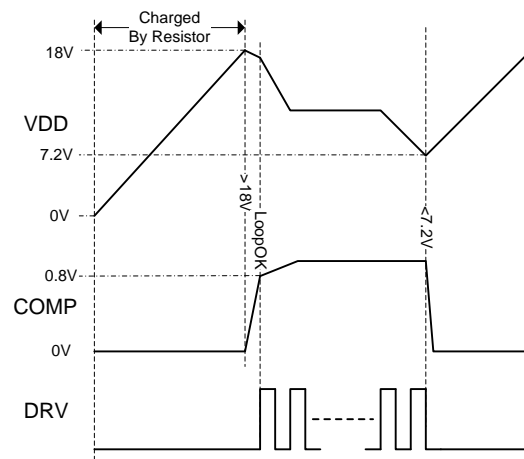


Fig.1 Start up sequence

#### Power Factor Correction

The primary side current increases linearly from zero to peak value, as sensed by the current sensing pin CS, during the power MOSFET on-time. When the primary current reaches the threshold, MT7933 turns off the power MOSFET immediately. MT7933 turns on the power MOSFET again after the drain of the power MOSFET damps to its valley or nearby. The peak current threshold is regulated by MAXIC proprietary technique and follows the rectified sinusoidal-shape of main line voltage. As a result, the envelope of the inductor current is sinusoidal-shaped, high power factor is therefore achieved in this way.

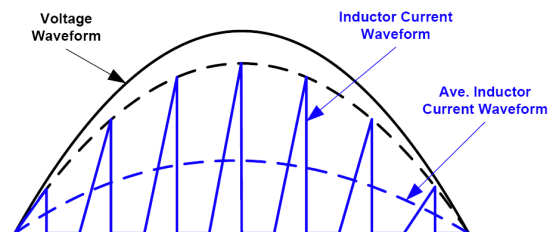


Fig.2 Power Factor Correction

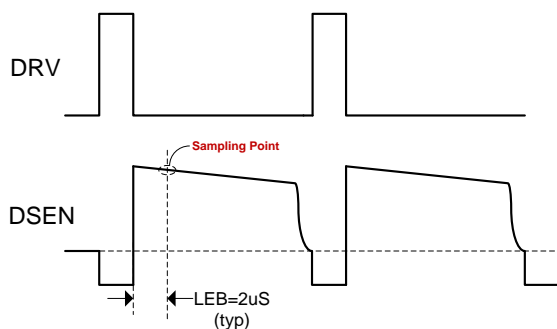
#### Auxiliary Sensing

The turning-on of power MOSFET is controlled

by sensing DSEN's waveform, which is sampled from Auxiliary windings by the resistor-divider. As DSEN's waveform goes below 0V at OFF time, which indicates the drain of power MOSFET damps to its valley or nearby, MT7933 turns on the power MOSFET. Besides, minimum OFF time control provide noise immunity.

Furthermore, MT7933 features over-voltage protection (OVP), short-circuit protection (SCP), and over-current protection (OCP) functions. Those protections are triggered by sensing the auxiliary winding waveform information, as the auxiliary winding voltage is proportional to the output voltage (secondary winding voltage) during the OFF time period. The auxiliary winding voltage is sampled by DSEN pin, one LEB (Leading Edge Blanking) time right after DRV signal is turned off.

Auxiliary sensing function is shown in Fig.3.



**Fig.3 Auxiliary Signal Sensing**

### Over-voltage Protection

MT7933 is implemented with two over-voltage protection schemes: (1) If DSEN pin's voltage is detected above 3.2V for three times, (refer to **Auxiliary Sensing** section), MT7933 turns off

the PWM switching signal, and VDD voltage gradually drops to UVLO threshold, and the system will be re-started. The threshold voltage of over-voltage protection  $V_{OUT\_OV}$ , can be easily defined as (refer to the application circuit in page 1):

$$V_{OUT\_OV} = 3.2 * \left(1 + \frac{R3}{R4}\right) * \frac{N_s}{N_a} + V_{D3}$$

Where  $N_s$  is the secondary winding,  $N_a$  is auxiliary winding,  $V_{D3}$  is the forward bias of the secondary side rectifier diode.

(2) If VDD pin's voltage exceeds 24V three times, MT7933 turns off the PWM switching signal, and VDD gradually drops to UVLO threshold, and then the system will be re-started. It is highly recommended to set up the VDD voltage between 12V and 22V by designed a proper  $N_a$  to  $N_s$  ratio of the transformer.

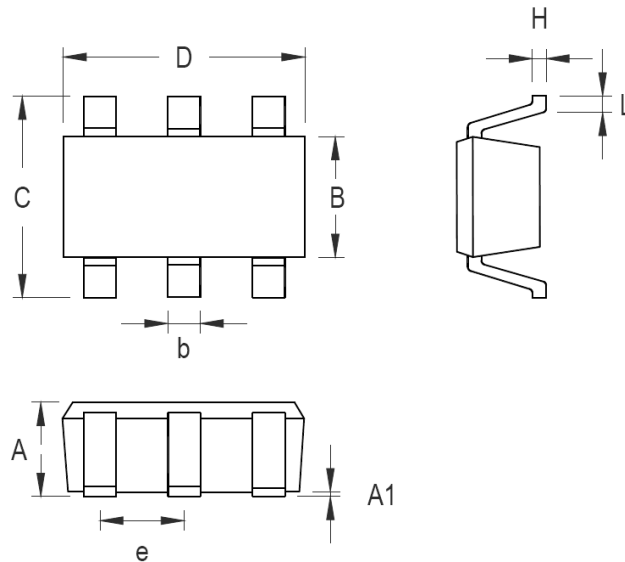
### Short-circuit Protection

The short-circuit protection is triggered if the DSEN pin voltage is detected below 400mV at OFF period for a continuous time of 5 to 10ms. The gate drive switching will be turned off, and a restart process will be kicked off when the VDD voltage drops below the UVLO threshold.

This re-start process will repeat if the short-circuit condition continues to exist.

### Over-current Protection

MT7933 immediately turns off the power MOSFET once the voltage at CS pin exceeds 1.8V. This cycle by cycle current limitation scheme prevents the relevant components, such as power MOSFET, transformer, etc. from damage.

**PACKAGE INFORMATION**
**SOT-23-6**


Symbol	Dimensions In Millimeters		Dimensions In Inches	
	Min	Max	Min	Max
A	0.889	1.295	0.035	0.051
A1	0.000	0.152	0.000	0.006
B	1.397	1.803	0.055	0.071
b	0.250	0.559	0.010	0.022
C	2.591	2.997	0.102	0.118
D	2.692	3.099	0.106	0.122
e	0.838	1.041	0.033	0.041
H	0.080	0.254	0.003	0.010
L	0.300	0.610	0.012	0.024



**MT7933**

**Maximizing IC Performance**

**Single Stage, High PFC, AC-DC LED Driver**

---

**For detail products information and sample requests, please contact:**

**Maxic Technology Corporation (Beijing Office)**

1006, Crown Plaza Office Tower, No106, ZhiChun Road, Hai Dian District, Beijing, China, 100086

Tel: 86-10-62662828

Fax: 86-10-62662951

**Maxic Technology Coporation (Shenzhen office)**

25BC, Fortune Plaza, Futian District, Shenzhen 518040

Tel: 86-0755-83021778

Fax: 86-0755-83021336

**Maxic Technology Corporation(Hong Kong office)**

Rm D1, 7th floor, JianAn Commercial Building,

No. 49-51, Suhong Str., Sheung Wan, Hong Kong

Web: [www.maxictech.com](http://www.maxictech.com)

E-mail: [sales@maxictech.com](mailto:sales@maxictech.com), [info@maxictech.com](mailto:info@maxictech.com)