

## Features

- Improved idle channel noise performance
- Programmable  $\mu$ -Law/A-Law Codec and Filters
- Programmable CCITT (G.711)/sign-magnitude coding
- Programmable transmit, receive and side-tone gains
- Fully differential interface to handset transducers - including 300 ohm receiver driver
- Flexible digital interface including ST-BUS/SSI
- Serial microport or default controllerless mode
- Single 5 volt supply
- Low power operation
- CCITT G.714 compliant

## Applications

- Digital telephone sets
- Cellular radio sets
- Local area communications stations
- Pair Gain Systems
- Line cards

ISSUE 1

May 1995

### Ordering Information

MT9160BE	24 Pin Plastic DIP
MT9160BS	20 Pin SOIC

**-40°C to +85°C**

## Description

The MT9160B 5V Multi-featured Codec is a replacement for the MT9160.

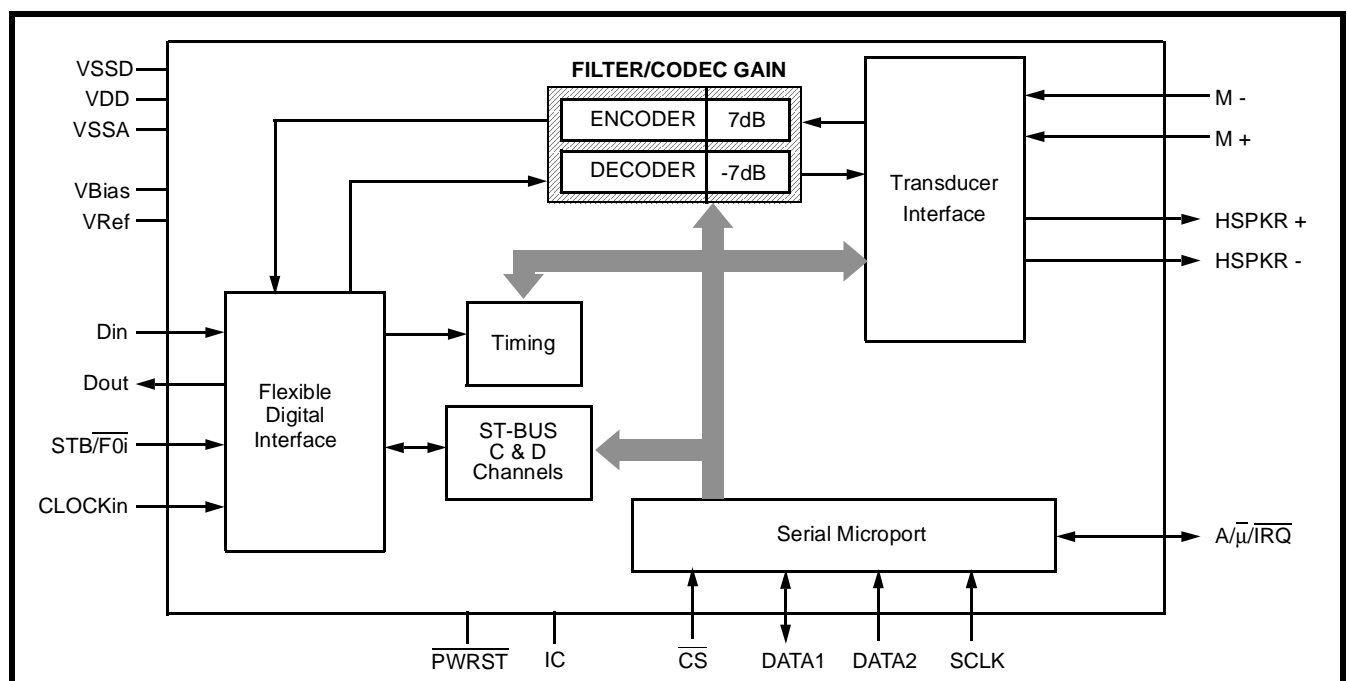
The major difference is the improvement in idle channel noise performance over and above that of the MT9160.

### Typical Performance

Transmit	10 dB <sub>rnC0</sub> $\mu$ -law
	-70 dB <sub>m0p</sub> A-Law
Receive	9 dB <sub>rnC0</sub> $\mu$ -law
	-81 dB <sub>m0p</sub> A-Law

Another difference is that  $V_{Bias} - V_{Ref} = 1.9$  Volts.

For other performance features, please refer to the MT9160 data sheet.



**Figure 1 - Functional Block Diagram**

Notes: