



Multilayer Ferrite Chip Beads TB Series

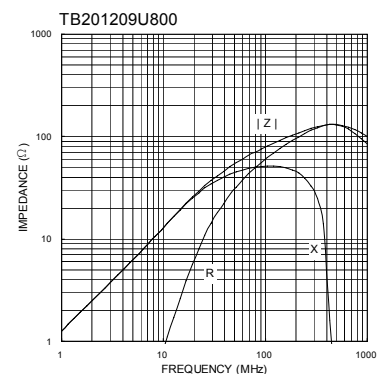
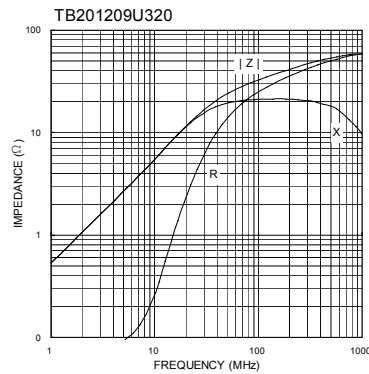
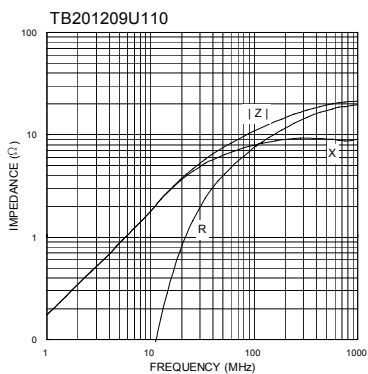
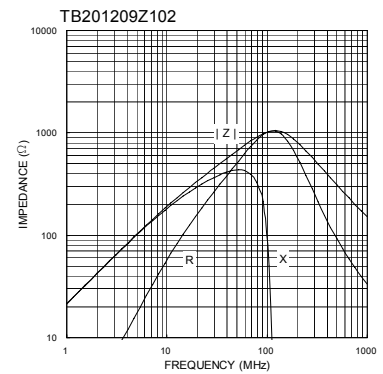
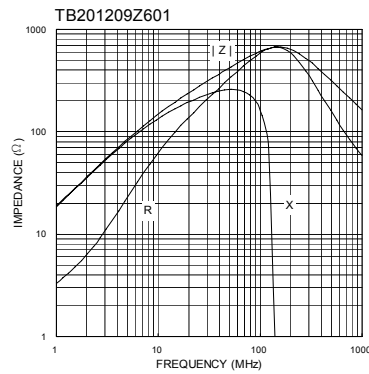
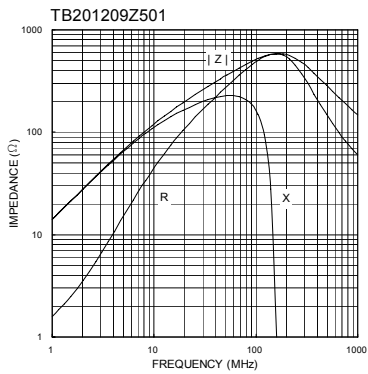
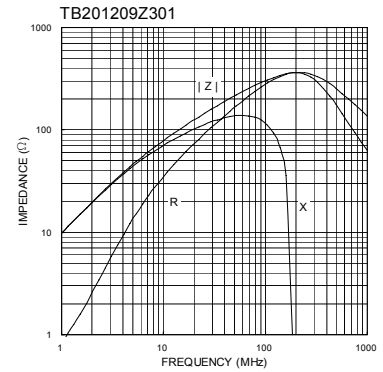
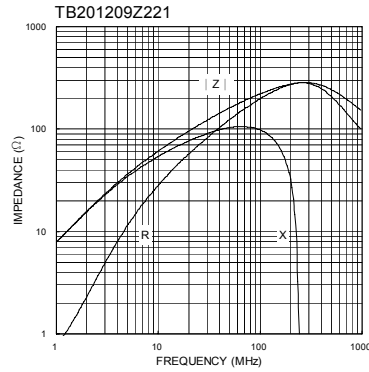
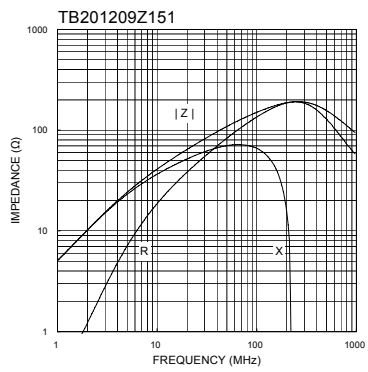
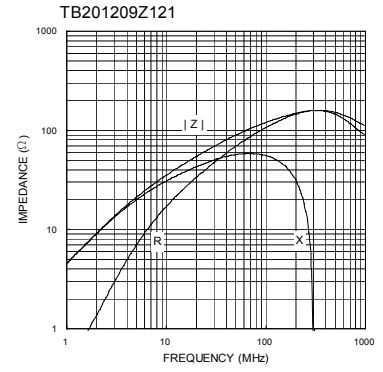
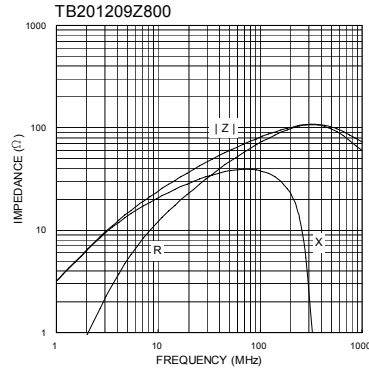
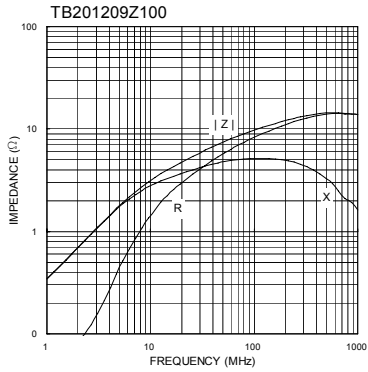
Electrical Characteristics			201209 Type
Part Number	Impedance (Ω) \pm 25% At 100MHz	DC Resistance (Ω) MAX.	Rated Current (mA) MAX.
MTB 201209 Z100	10	0.15	600
MTB 201209 Z800	80	0.15	300
MTB 201209 Z121	120	0.25	300
MTB 201209 Z151	150	0.25	300
MTB 201209 Z221	220	0.30	200
MTB 201209 Z301	300	0.30	200
MTB 201209 Z501	500	0.30	200
MTB 201209 Z601	600	0.35	200
MTB 201209 Z102	1000	0.45	200
MTB 201209 U110	11	0.15	600
MTB 201209 U320	32	0.15	400
MTB 201209 U800	80	0.15	300
MTB 201209 U121	120	0.25	300
MTB 201209 U151	150	0.25	300
MTB 201209 U221	220	0.30	200
MTB 201209 U301	300	0.30	200
MTB 201209 U501	500	0.30	200
MTB 201209 U601	600	0.35	200
MTB 201209 U102	1000	0.45	200
MTB 201209 G800	80	0.15	300
MTB 201209 G121	120	0.25	300
MTB 201209 G151	150	0.25	300
MTB 201209 G221	220	0.30	200
MTB 201209 G301	300	0.30	200
MTB 201209 G501	500	0.30	200
MTB 201209 G601	600	0.35	200
MTB 201209 G102	1000	0.45	200
MTB 201209 G152	1500	0.55	200
MTB 201209 G202	2000	0.60	200
MTB 201209 G222	2200	0.80	200
MTB 201209 G272	2700	0.80	200
MTB 201209 B070	7	0.15	600
MTB 201209 B400	40	0.20	300
MTB 201209 B800	80	0.20	300
MTB 201209 B121	120	0.25	200
MTB 201209 B221	220	0.35	200
MTB 201209 B301	300	0.40	200
MTB 201209 B601	600	0.50	200
MTB 201209 B102	1000	0.60	200



Multilayer Ferrite Chip Beads TB Series

Electrical Charts

201209 Type

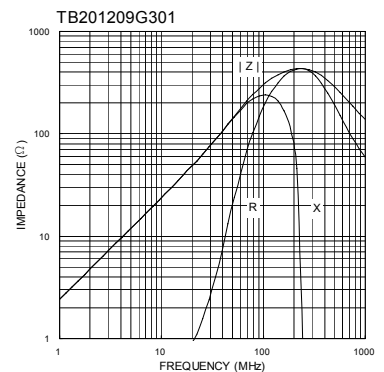
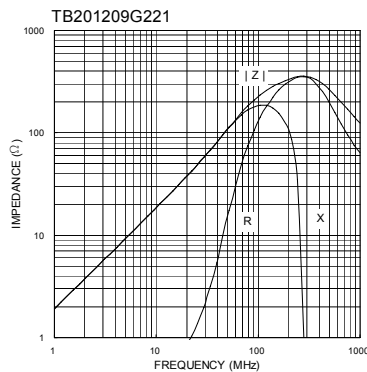
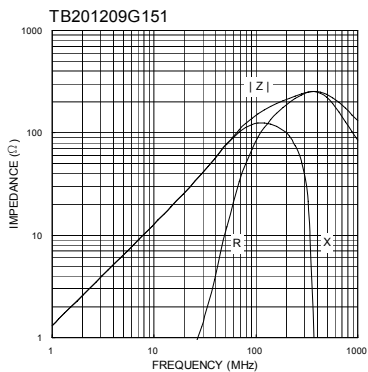
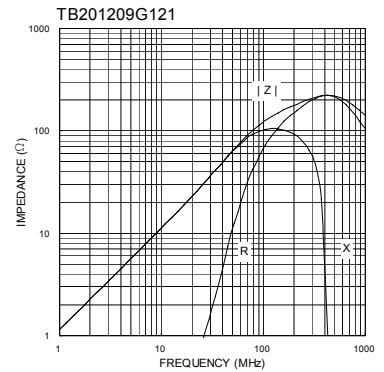
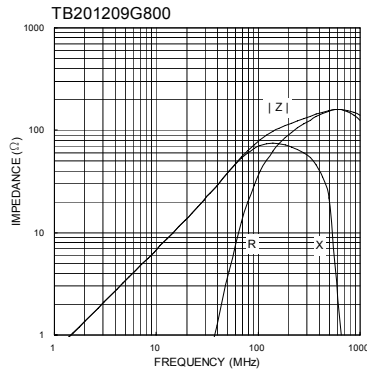
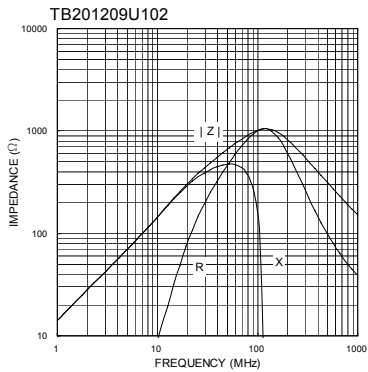
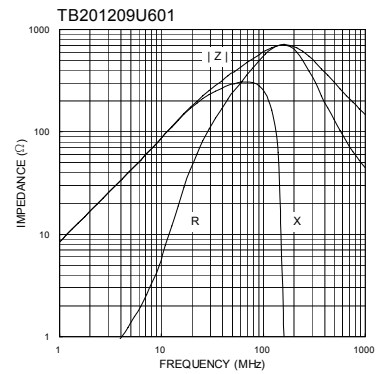
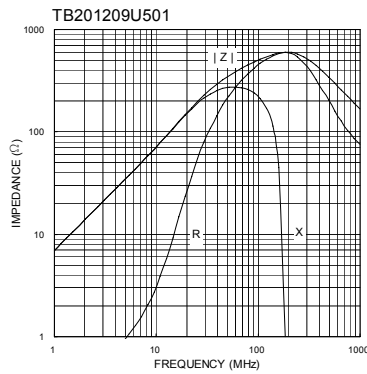
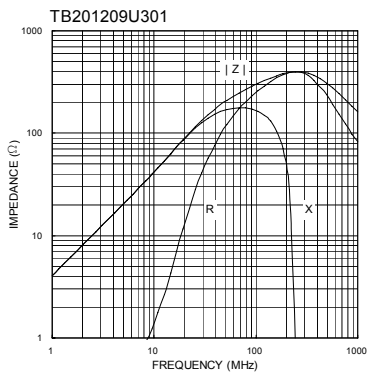
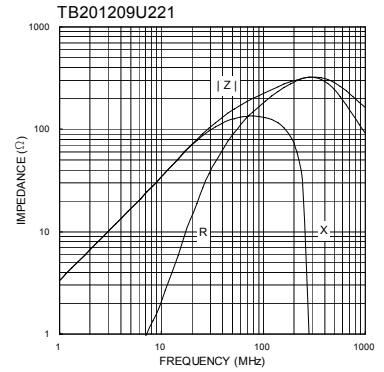
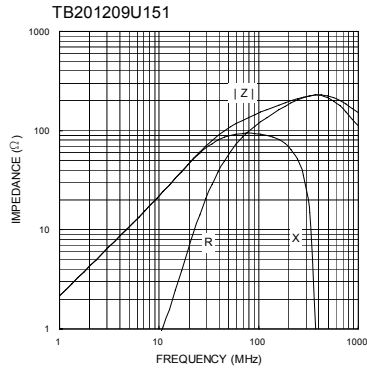
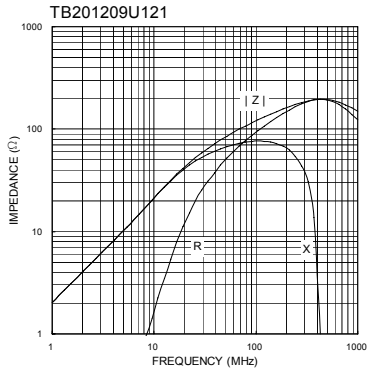




Multilayer Ferrite Chip Beads TB Series

Electrical Charts

201209 Type

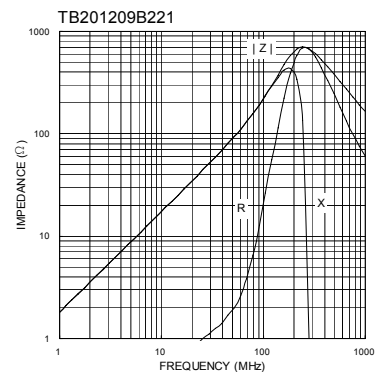
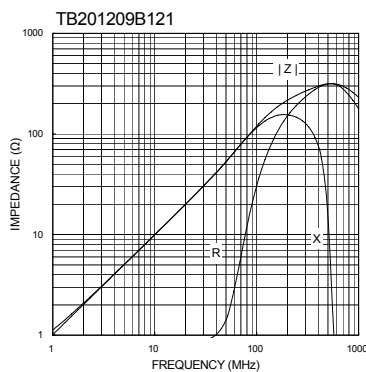
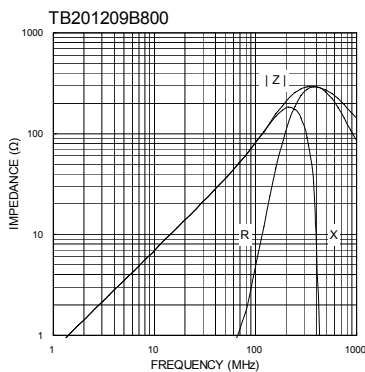
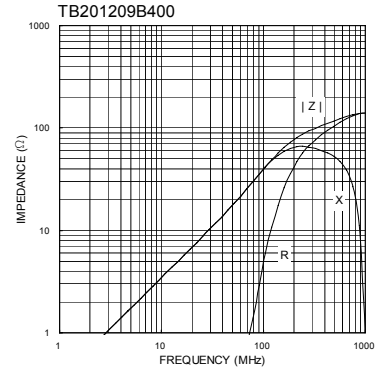
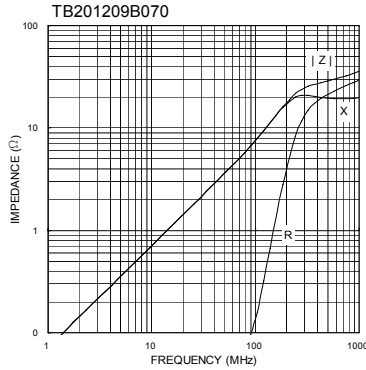
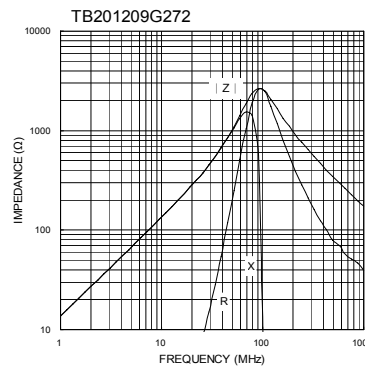
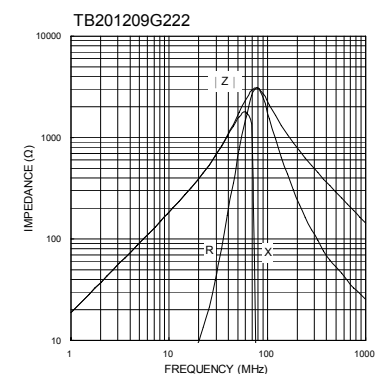
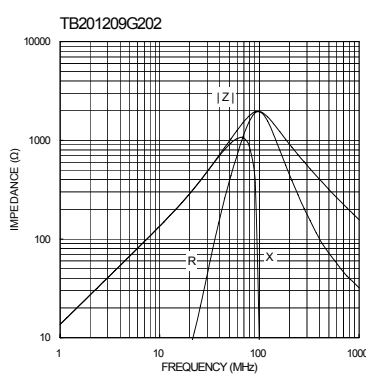
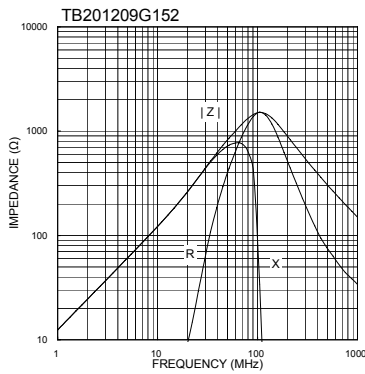
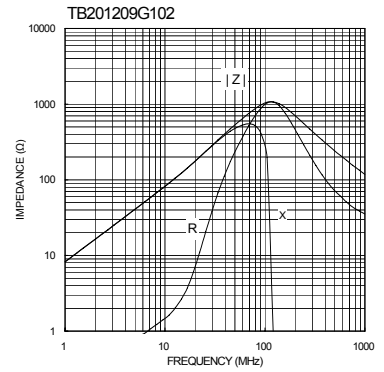
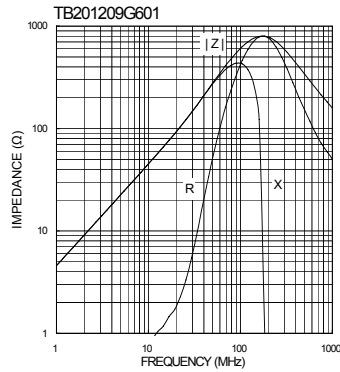
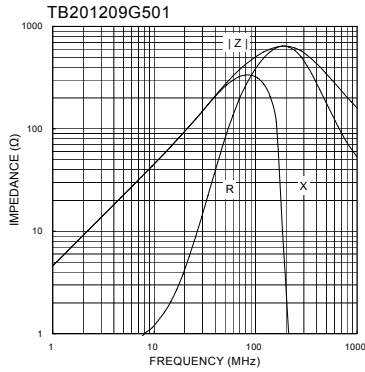




Multilayer Ferrite Chip Beads TB Series

Electrical Charts

201209 Type





Multilayer Ferrite Chip Beads TB Series

Electrical Charts

201209 Type

