

GENERAL SPECIFICATION

| Item | Content |
|---------------------|---|
| Number of Character | 16x2 |
| Module Size | 85.0(W)x36.0(H)x10.0/14.2(D)mm Max |
| Viewing Area | 62.2(W)x17.9(H)mm |
| Character Size | 2.95(W)x5.55(H)mm |
| Dot Size/Dot Pitch | 0.55(W)x0.65(H)mm/0.60(W)x0.70(H)mm |
| Backlight | Without/EL/LED |
| Options | Gray STN/Yellow STN/Extended Temperature/Bottom/Top Viewing |

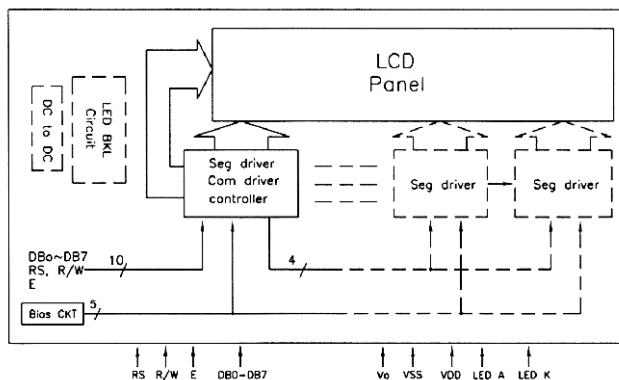
INTERFACE PIN ASSIGNMENT

| Pin No. | Pin Out | Function Description |
|---------|-----------------|--|
| 1 | V _{SS} | Ground |
| 2 | V _{DD} | Logic Circuit Power Supply |
| 3 | V _O | Power Supply for LCD Panel |
| 4 | RS | Data/Instruction Register Select |
| 5 | R/W | Read/Write Select |
| 6 | E | Enable Signal |
| 7-14 | DB0-DB7 | 3-State I/O Data Bus |
| 15 | BKL1 | Power Supply for Backlight. 100V/400Hz AC for EL, 4.2V or 120-180mA DC for LED backlight. Don't care if no backlight |
| 16 | BKL2 | |

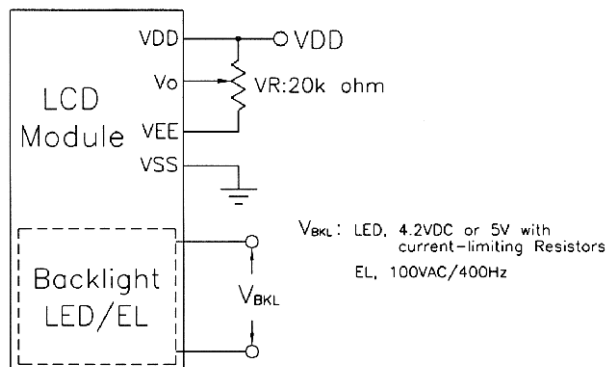
ELECTRICAL CHARACTERISTICS

| Item | Symbol | Condition | Min. | Typ. | Max. | Unit | Note |
|--|----------------------------------|--|--------------------|--------------------|------|------|------|
| Power Supply for Logic | V _{DD} -V _{SS} | - | 2.7 | 4.5 | 5.5 | Volt | - |
| Input Voltage | V _{IL} | L level | V _{SS} | 0.2V _{DD} | - | Volt | - |
| | V _{IH} | H level | 0.8V _{DD} | V _{DD} | - | Volt | |
| LCM Recommend LCD Module Driving Voltage | V _{DD} -V _O | Ta=0°C | - | - | - | Volt | - |
| | | Ta=25°C | 3.7 | 4.0 | 4.3 | | |
| | | Ta=50°C | - | - | - | | |
| Power Supply Current for LCM | I _{DD} (B/L OFF) | V _{DD} =5.0V V _{DD} -V _O =4.0V | - | 1.6 | 2.0 | mA | - |
| | I _{LED} | V _{LED} =4.2V Ta=25°C | - | 120 | 180 | | |

BLOCK DIAGRAM



POWER SUPPLY



MECHANICAL

