

THYRISTOR-THYRISTOR MODULE MTC250A-3600V

Feature :

- Chip and backplane electrical insulation
- over-current capability
- Standard package

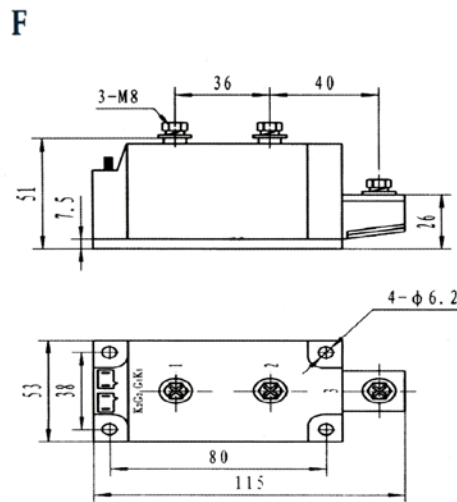
Typical application:

- Inverter welding machine
- DC power supplier
- soft starting capacitor

Datasheet:

TYPE	CONDITION	VALUE	UNIT
V_{DRM}	$V_{DSM} = V_{DRM} + 100V$	3600	V
V_{RRM}	$V_{RSM} = V_{RRM} + 100V$	3600	V
I_{DRM}	$125^{\circ}C, V_{DM} = V_{DRM}$	150	mA
I_{RRM}	$125^{\circ}C, V_{RM} = V_{RRM}$	150	mA
$I_{T(AV)}$	180° ,half sin wave, 50Hz, $T_C = 75^{\circ}C$	250	A
V_{TM}	$25^{\circ}C, I_{TM} = 750A$	2.7	V
I_{GT}	$25^{\circ}C, V_A = 12V, I_A = 1A$	≤ 300	mA
V_{GT}	$25^{\circ}C, V_A = 12V, I_A = 1A$	≤ 3.0	V
V_{ISO}	$25^{\circ}C$	4200	V
T_{jm}		125	$^{\circ}C$
T_{stg}		-40 ~ 125	$^{\circ}C$

Outline:



CIRCUIT CONFIGURATION:

