

THYRISTOR-THYRISTOR MODULE MTC250A-4200V

Feature :

- Chip and backplane electrical insulation
- over-current capability
- Standard package

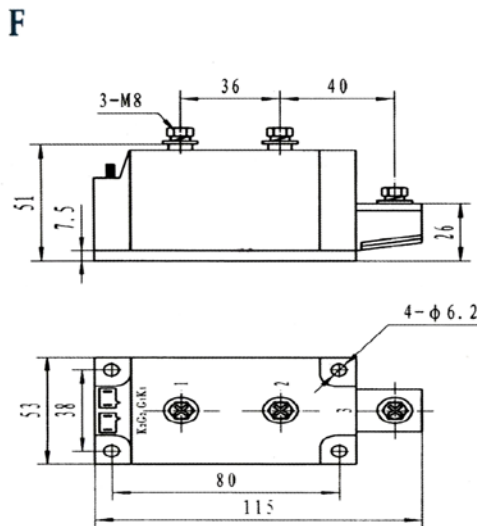
Typical application:

- Inverter welding machine
- DC power supplier
- soft starting capacitor

Datasheet:

| TYPE | CONDITION | VALUE | UNIT |
|-------------|---|------------|-------------|
| V_{DRM} | $V_{DSM} = V_{DRM} + 100V$ | 4200 | V |
| V_{RRM} | $V_{RSM} = V_{RRM} + 100V$ | 4200 | V |
| I_{DRM} | $125^{\circ}C, V_{DM} = V_{DRM}$ | 150 | mA |
| I_{RRM} | $125^{\circ}C, V_{RM} = V_{RRM}$ | 150 | mA |
| $I_{T(AV)}$ | 180° ,half sin wave, 50Hz, $T_C = 75^{\circ}C$ | 250 | A |
| V_{TM} | $25^{\circ}C, I_{TM} = 750A$ | 2.8 | V |
| I_{GT} | $25^{\circ}C, V_A = 12V, I_A = 1A$ | ≤ 300 | mA |
| V_{GT} | $25^{\circ}C, V_A = 12V, I_A = 1A$ | ≤ 3.0 | V |
| V_{ISO} | $25^{\circ}C$ | 4200 | V |
| T_{jm} | | 125 | $^{\circ}C$ |
| T_{stg} | | -40 ~ 125 | $^{\circ}C$ |

Outline:



CIRCUIT CONFIGURATION:



Tel: +86-514-87782298, 87782296 FAX: +86-514-87782297, 87367519
 E-mail : positioning@china.com; yzforever@vip.tom.com; yzpst@pst888.com
 WEB SITE: <http://www.pst888.com> www.yzpst.cc