

Ethernet Encoder/Decoder and 10BaseT Transceiver with Built-in Waveform Shaper

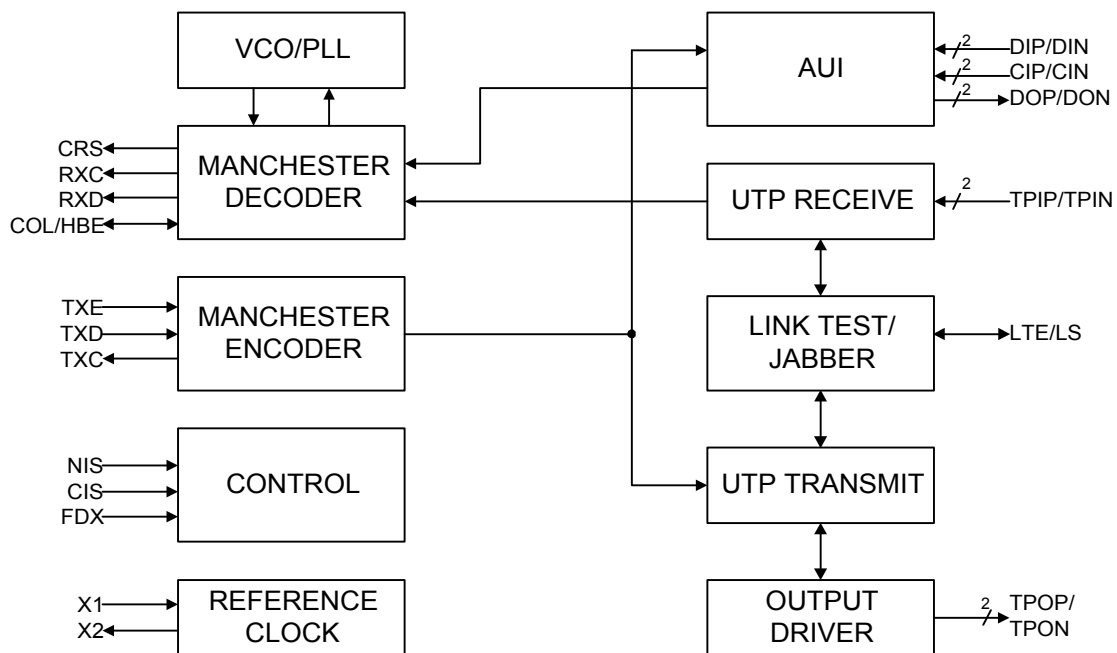
FEATURES

- Compatible with IEEE 802.3 standards.
Built-in UTP output waveform shaping function.
Selectable media interface and auto-detection functions.
Automatic polarity detection and correction.
Link status output.
Heartbeat disable/enable selection.
Support full-duplex operation.
Standard 802.3 AUI interface.
Selectable controller interface.
Low power consumption.

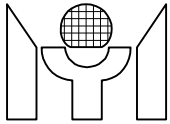
GENERAL DESCRIPTION

MTD214 contains integrated functions of the Ethernet encoder/decoder and UTP/AUI interface. The encoder/decoder conforms to IEEE 802.3 protocol and performance requirements while also retaining compatibility with most popular network controllers. The UTP transceiver has a built-in waveform shaping function thus eliminating the requirement of an external filter. The transceiver also contains the functions of automatic media selection and polarity correction. MTD214 is available in 28-pin plastic DIP (600mil) or SOJ (300mil) packages.

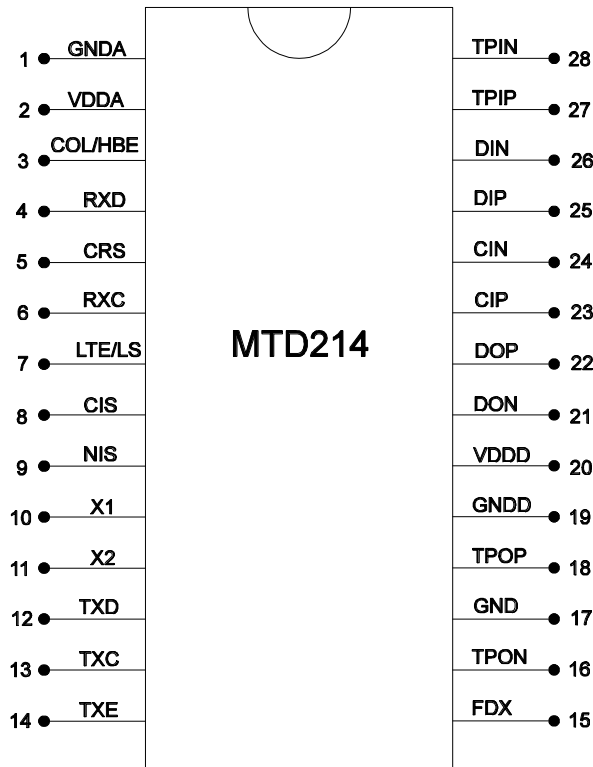
BLOCK DIAGRAM



This datasheet contains new product information. Myson Technology reserves the rights to modify the product specification without notice. No liability is assumed as a result of the use of this product. No rights under any patent accompany the sale of the product.

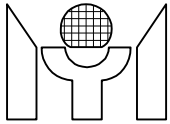


1.0 CONNECTION DIAGRAM

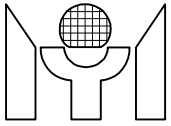


2.0 PIN DESCRIPTIONS

Name	I/O	Pin #	Descriptions
GNDA	P	1	Ground for analog and internal circuits.
VDDA	P	2	+5V (+/-5%) supply for internal circuits.
COL/HBE	I/O	3	Collision detection output connecting to the network controller. This pin is also an input pin that determines the heartbeat function. During reset period, COL output is disabled, and input is latched to control the heartbeat function. After reset, COL is asserted when a collision is sensed on the network, during heartbeat period or jabber condition.
RXD	O	4	Receives data output connecting to the network controller. RXD is the decoded NRZ data from the network.
CRS	O	5	Carrier sense output connecting to the network controller. CRS is asserted when there is activity on the media, and is de-asserted by the end of the packet condition on the media. It is also de-asserted if loss of SYNC condition occurs during the reception of the packets.
RXC	O	6	Receives clock output connecting to the network controller. RXC is derived from the Manchester data on the received data. In NS/AMD mode, it is active only during packet reception. In Intel/AT&T mode, it is continuous following the TXC clocks during idle period and switched to the received clocks as the packet arrives.



LTE/LS	I/O	7	Test enabler and status links. This is a dual-purpose pin. It is an input that occurs during the power-on reset period. If MTD214 senses it is high during reset, MTD214 enables the link test function of the on-chip UTP transceiver and outputs the link status through this pin. To disable the link test function, this pin should be forced below 1.5 V during reset. Note that MTD214 always outputs the link pulses independent of the link test.
CIS	I	8	Controller interface selection. This pin selects the signal format of the ENDEC output. If it is high, the format conforms to the Intel/AT&T controller. If it is low, it conforms to NS/AMD format.
NIS	I	9	Media interface selection. This pin selects the network media. If it is high, the on-chip UTP transceiver is selected. If it is low, AUI is selected. It is also combined with the FDX pin to define the loopback test mode. Please see the functional description for the mode table.
X1/X2	I	10,11	Crystal oscillator. A 20MHz-30pF with 100ppm accuracy crystal should be mounted between these 2 pins as well as two 30pF +/- 5% capacitors connecting each pin to ground. If an external clock source is used, it should be applied through X1 and allow X2 to be grounded.
TXD	I	12	Transmitted data input connected to the network controller. The data is in NRZ format and is gated by the TXE signal.
TXC	O	13	Transmitted clock output connected to the network controller. This is a 10MHz clock used to synchronize TXE and TXD.
TXE	I	14	Transmitted enabler input connected to the network controller. This signal is used by MTD214 to gate the TXD input for packet transmission.
FDX	I	15	Full duplex mode selection input. When this pin is low, half duplex and normal Ethernet operation is selected. When this pin is high, full duplex mode operation is enabled. In this mode, the collision status reporting is disabled, but heartbeat and jabber conditions are still reported on the COL pin. Since full duplex mode can be implemented in UTP media only when MTD214 is in auto media selection mode, AUI selection precedes the priority of full duplex mode. This pin is also combined with the NIS pin to define various testing modes of MTD214.
GNDO	P	17	Ground for UTP output transmitter.
TPOP/TPON	O	18,16	UTP transmitted output connected to an output transformer that couples with the UTP cable. The transformer should have an inductance of 100 to 200 uH and 1:1 turn ratio. Two 50-Ohm load resistors should also connect each output to VDD as load resistors. It is also recommended that a 100pF capacitor be connected to this pin from ground to remove any spurious noise.
GNDD	P	19	Ground for UTP output transmitter and AUI buffer.
VDDD	P	20	+5 V supply for AUI buffer.
DOP/DON	O	22,21	Data output for AUI interface. This differential signal should drive an equivalent load of 39 Ohm. Typically an external 78 Ohm connected across these 2 pins and the equivalent remote AUI load together are used to ensure proper amplitude. The AUI interface should be transformer-coupled.
CIP/CIN	I	23,24	Collision input for AUI interface. This differential signal is coupled through the transformer. An external bias of 2.5V should be applied to these 2 pins.



DIP/DIN	I	25,26	Data input for AUI interface. This differential signal is coupled through the transformer. An external bias of 2.5V should be applied to these 2 pins.
TPIP/TPIN	I	27,28	UTP receiving input. This differential signal is connected to the UTP receiving pair through the isolation transformer. An external bias of 2.5V should be applied to these 2 pins.

3.0 FUNCTIONAL DESCRIPTION

3.1 Manchester Decoder and PLL

The Manchester decoder uses a PLL to extract the clock and NRZ data from the received Manchester signals. The PLL is locked to the internally generated 5MHz clocks during idle time and switched to the incoming data at the start of the packet detection. The decoder also detects the IDL condition of the incoming data by switching off CRS whenever the data stays unchanged longer than 125 nsec.

3.2 Manchester Encoder

The Manchester encoder receives the NRZ data from the controller and converts it into Manchester format using the internal 20MHz clocks. TXD and TXE must be synchronized by TXC. The encoder also guarantees that a low transition occurs first at the start of the packet and appends the IDL at the end of the transmitted data.

3.3 Reference and Clock

An internal bandgap circuit is used to generate all necessary reference voltages and currents. The on-chip crystal oscillator is used to generate 20MHz reference clocks for the internal circuits. For precision clock generation, a 20MHz-30 100ppm crystal should be used. And two 30pF load capacitors should be connected from X1 and X2 to ground, respectively. If an external clock source is used, it should be applied to X1 while X2 is grounded.

3.4 Control Function

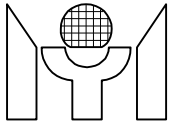
This block controls the operating mode of MTD214. The CIS pin controls the type of controller interface. When CIS is high, MTD214 is in Intel/AT&T mode; when CIS is low, MTD214 is in NS/AMD mode. Do not allow this pin to float. NIS and FDX pins determine the operation mode according to the following table:

FDX	NIS	MODE	MEDIA
0	0	Half	AUI
0	1	Half	UTP
0	F	Half	Auto detect
1	0	Loopback	N/A
1	1	Full	UTP
1	F	Full/Half	Auto UTP/AUI
F	X	Test Mode	

Note that full duplex mode is meaningful only if the media selection is UTP. Thus if MTD214 is configured as auto media switching, the full duplex is switched back to half duplex if AUI is selected. Also if the link test function is disabled (LTE=0), MTD214 assumes that the link test pass state and UTP are always selected if configured in auto detection mode. In full duplex mode, collision reporting is disabled and internal loopback of UTP transmission data is also inhibited. However, heartbeat and jabber functions of the on-chip UTP transceiver are still effective.

3.5 UTP Receiving

A low-pass filter is used to filter the noise in the received UTP differential signals. The common-mode level of the differential signal is extracted and is used for DC squelch circuits. AC squelch circuits reject any single



cycle signals between 3MHz and 15 MHz as well as continuous signals below 2.5MHz. The squelch circuit also recognizes the link pulses. Once the squelch is off, the differential signal is amplified to logic levels. There is no internal bias of TPIP and TPIN signals; an external bias (2.5V) should be applied to these inputs through the termination resistors.

3.6 Link Test and Jabber Logic

The link test circuit performs the necessary link test functions specified by IEEE 802.3. The link test function is enabled when LTE/LS is sampled high during reset period. If the link test function is enabled, the LTE/LS pin becomes an output that can drive the link LED display. To disable the link test function, LTE should be tied low. The link test function can be changed only by power-on and off. Note that if the link test is disabled, the generation of link pulses is not affected. The link test status is used to control the on-chip UTP transceiver and the media selection. If the link test fails, and auto detection mode is enabled, the media is set to AUI. The link test circuit also includes the polarity detection function. Detection is based on the polarity of received link pulses. If 8 consecutive reversed link pulses are received, the polarity is toggled. The jabber logic monitors the length of the continuous transmission time. If the transmission time exceeds the maximum jabber time, the transmission is disabled and COL is asserted to indicate the jabber status. In addition, the logic implements the heartbeat function. The heartbeat enable signal is latched during reset period from the COL pin. To enable the heartbeat function, an external pull-up resistor of 4.7K Ohms should be connected to the COL pin. To disable the heartbeat function, a pull-down resistor should be used.

3.7 UTP Transmission and Output Driver

The UTP transmission circuit takes the Manchester decoded data and converts it into a coded format that meets IEEE 802.3-required transmission templates. The coded data is fed into an oversampling D/A and filters for waveform shaping. The output buffer of the transmitter is an open-drain type current source. The output voltage of the transmitter is developed on the external load resistors (50 Ohm) connected to the power supply. The output should be transformer-coupled to the UTP media.

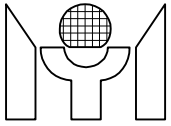
3.8 AUI Interface

The AUI interface consists of CI/DI squelch detection and receiving circuits, and a DO output driver. The CI/ DI inputs should be externally biased at 2.5V through the termination resistors, and transformer-coupled to the AUI media. The DO output is a push-pull driver. The output should have an equivalent load of 39 Ohm to ensure proper amplitude. AUI media is selected either by setting NIS low or in auto switching mode with link fail conditions.

4.0 ELECTRICAL CHARACTERISTICS

4.1 DC Characteristics Ta = 0C to 70 C, VDD = 5V +/- 5%, Vss = 0V

Parameter	Symbol	Min	Typ	Max	Unit	Note
Supply current						
Idle	I _{dd, idle}	-	20	30	mA	
Traffic	I _{dd, traf}	-	30	40	mA	
Input low voltage (digital inputs)	V _{IL}	-0.3	-	0.8	V	
Input high voltage (digital inputs)	V _{IH}	2.4	-	V _{dd} +0.3	V	
Input high current (digital inputs)	I _{IH}	-	-	100	uA	
Input low current (digital inputs)	I _{IL}	-	-	100	uA	
Output low voltage (digital outputs/w IOL=4mA)	V _{OL}	-	0.5	0.8	V	
Output high voltage (digital outputs/w IOH=500uA)	V _{OH}	3.0	3.5	-	V	
AUI output differential voltage (DOP, DON)	V _{OD}	+/-500	-	+/-1500	mV	1
AUI idle offset voltage	V _{AI}	-	0	+/-40	mV	
AUI input squelch voltage	V _{AS}	-175	-250	-300	mV	2



(DIP,DIN,CIP,CIN)						
UTP input squelch voltage (TPIP,TPIP)	VTS	+/-200	+/-250	+/-300	mV	
Analog input common voltage (DIP,DIN,CIP,CIN,TPIP,TPIN)	VAC	1.5	2.5	3.5	V	
UTP peak output voltage (TPOP,TPON)	VTO	+/-2.0	+/-2.5	+/-3.0	V	3

4.2 Switching Characteristics

4.2.1 TP Reception Timing

Parameter	Symbol	Min	Typ	Max	Unit	Note
TP active to CRS assertion	tTPVCSH	-	300	350	ns	
TP active to RXC validation	tTPVRCH	-	9	11	BT	
TP end of packet detection (from bit boundary)	tTPHCSL	100	125	170	ns	

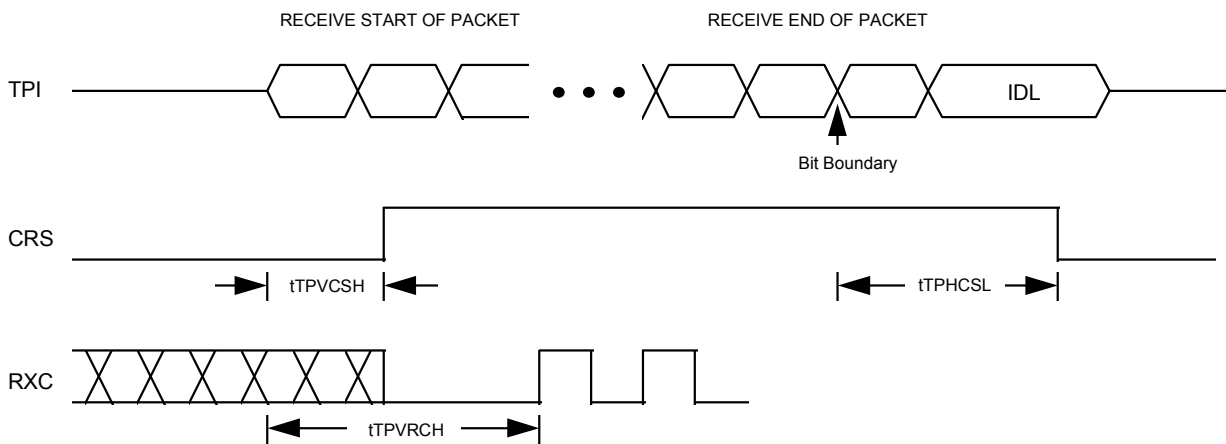


Figure 1. TP Reception Timing

4.2.2 TP Transmission Timing

Parameter	Symbol	Min	Typ	Max	Unit	Note
TXE to TP output	tTNHPOX	-	100	150	ns	
TXE to CRS loopback	tTNHCSH	-	150	200	ns	
TXE to RXC loopback	tTNHRCC	-	8	10	BT	
TP end of packet IDL width	tPOHPOL	250	275	300	ns	

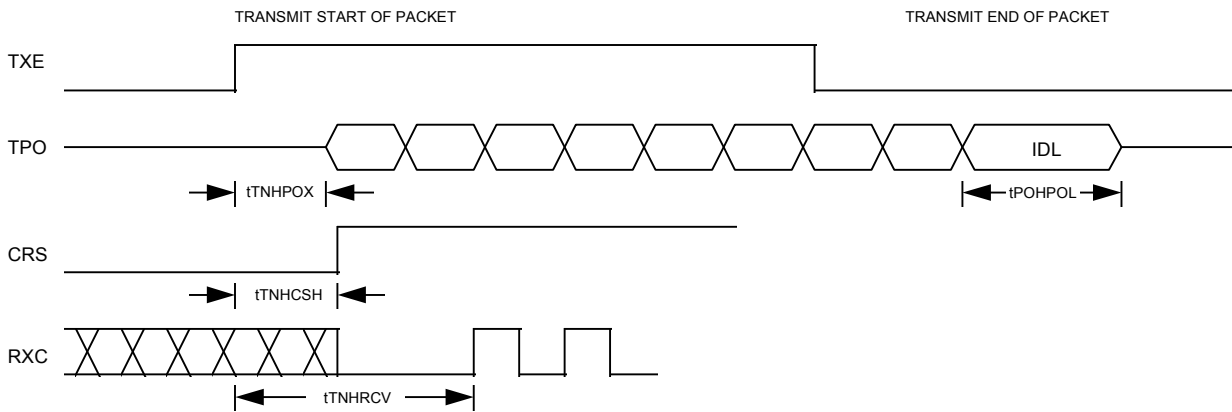
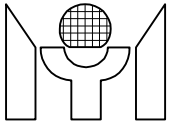


Figure 2. TP Transmission Timing

Fig

4.2.3 TP Collision Timing

Parameter	Symbol	Min	Typ	Max	Unit	Note
TPI to COL assertion	tTPVCLH	-	300	400	ns	
TPI to COL de-assertion	tTPHCLL	-	125	200	ns	
TXE to COL assertion	tTNHCLH	-	125	200	ns	
TXE to COL de-assertion	tTNLCCL	-	350	450	ns	

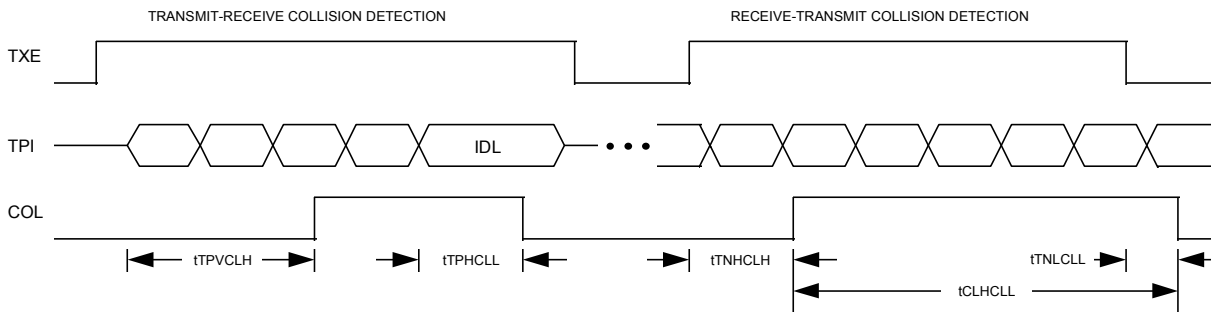


Figure 3. TP Collision Timing

4.2.4 TP HBT and Jabber Timing

Parameter	Symbol	Min	Typ	Max	Unit	Note
Heartbeat delay	tTNLCCLV	800	1000	1200	ns	
Heartbeat duration	tTNLCCL	800	1000	1200	ns	
Jabber turn-on time	tTNHCJH	40	45	55	ms	
Jabber reset time	tTNHCJL	250	500	750	ms	

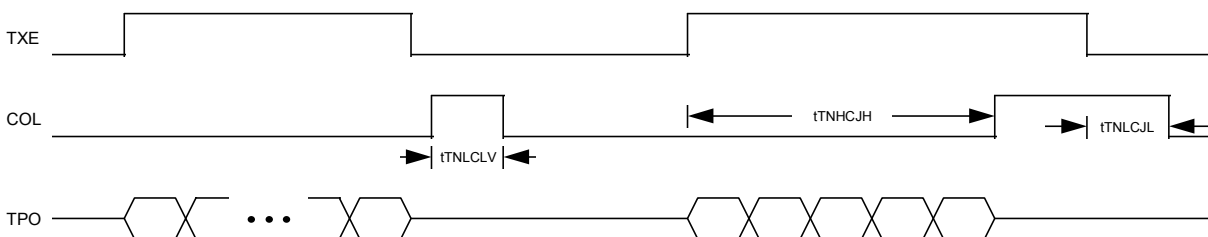
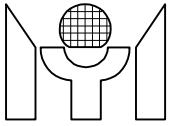


Figure 4. TP HBT and Jabber Timing



4.2.5 AUI Reception Timing

Parameter	Symbol	Min	Typ	Max	Unit	Note
DI active to CRS assertion	tDIVCSH	-	40	80	ns	
DI active to RXC validation	tDIVRCH	-	4	6	BT	
DI end of packet detection (from bit boundary)	tDIHCSL	100	125	170	ns	

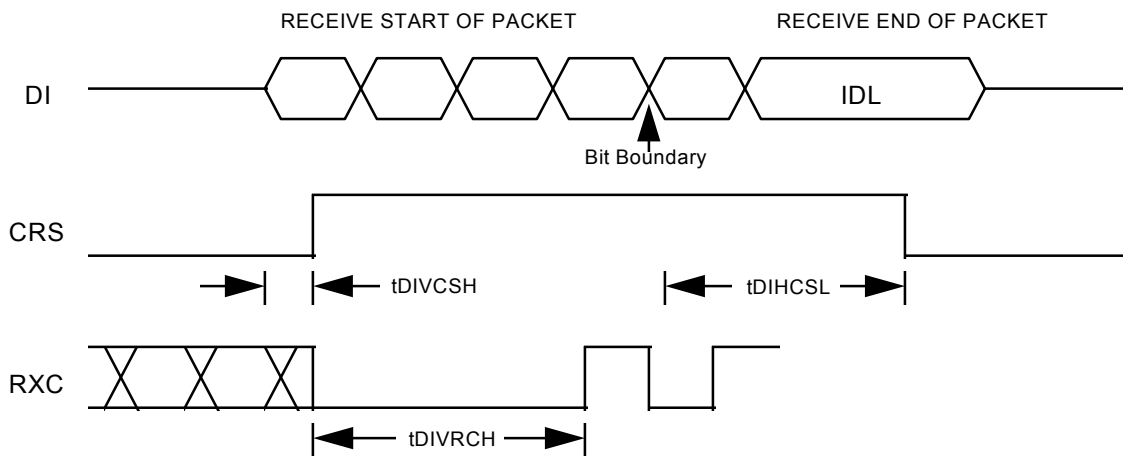


Figure 5. AUI Reception Timing

4.2.6 AUI Transmission Timing

Parameter	Symbol	Min	Typ	Max	Unit	Note
TXE to DO output	tTNHDOX	-	100	150	ns	
DO end of packet IDL width	tDOHPOL	250	275	300	ns	

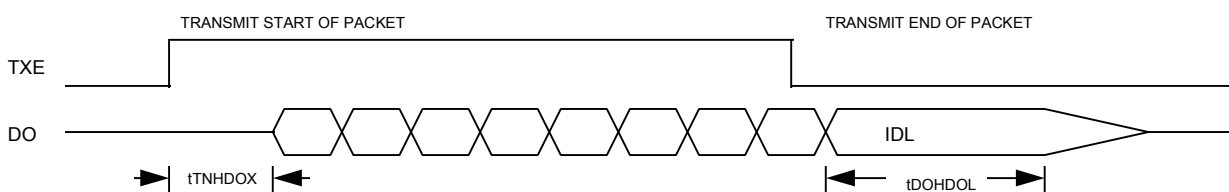


Figure 6. AUI Transmission Timing

4.2.7 Local Loopback Timing

Parameter	Symbol	Min	Typ	Max	Unit	Note
TXE to CRS assertion	tTNHCSH	-	60	100	ns	
TXE to RXC validation	tTNHRCV	-	6	8	BT	

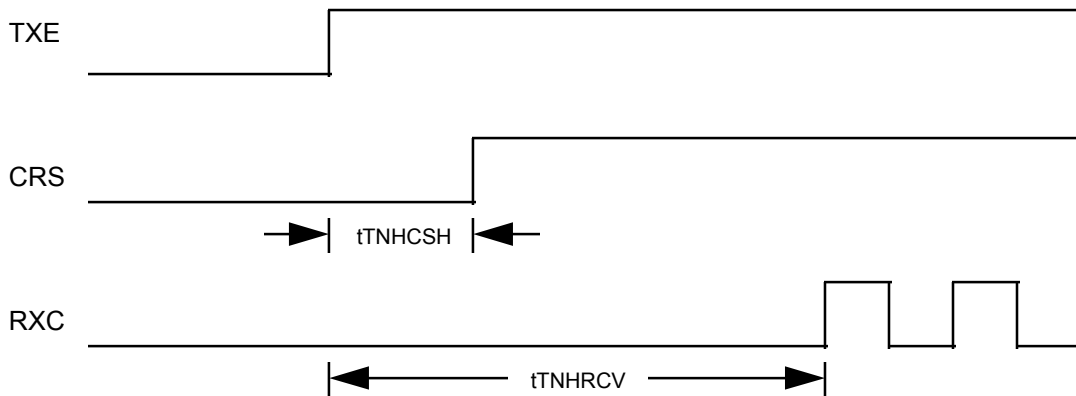
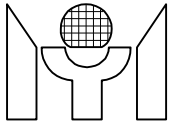


Figure 7. Local Loopback Timing

4.2.8 Controller Interface Timing (NS/AMD Mode)

Parameter	Symbol	Min	Typ	Max	Unit	Note
RXD setup to RXC rising	tRDVRCH	40	55	-	ns	
RXD hold after RXC	tRCHRDH	30	45	-	ns	
RXC low to CRS de-assertion	tRCLCSL	0	20	50	ns	
TXE setup to TXC rising	tTNVTCH	30	-	-	ns	
TXD setup to TXC rising	tTDVTCH	30	-	-	ns	
TXE hold after TXC	tTCHTNH	0	-	-	ns	
TXD hold after TXC	tTCHTDH	0	-	-	ns	

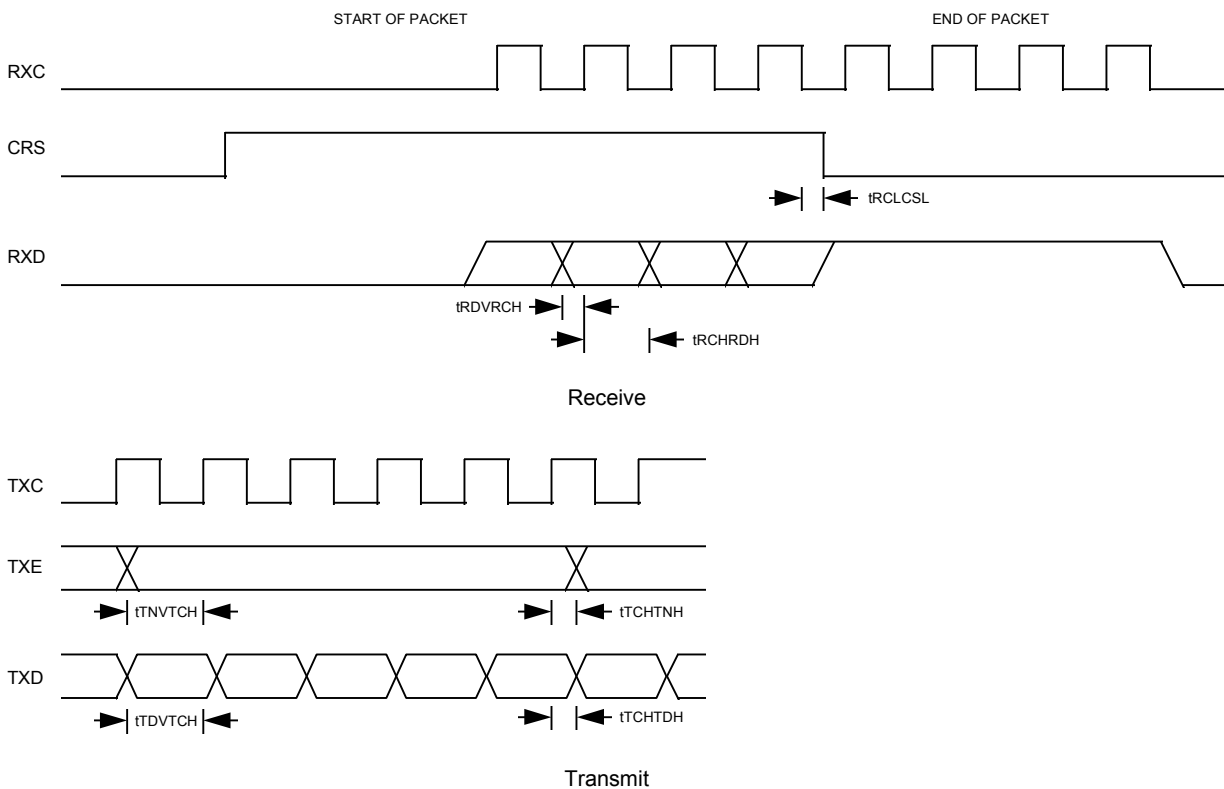
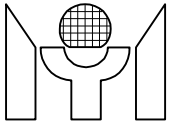


Figure 8. Controller Interface Timing (NS/AMD Mode)

Fig



4.2.9 Controller Interface Timing (Intel/AT&T Mode)

Parameter	Symbol	Min	Typ	Max	Unit	Note
RXC to CRS assertion	tRCLCSL	0	70	100	ns	
RXD setup to RXC fall	tRDVRCL	40	55	-	ns	
RXD hold after RXC	tRCLRDH	30	45	-	ns	
RXC high to CRS de-assertion	tRCHCSH	0	20	50	ns	
TXE setup to TXC fall	tTNVTCL	30	-	-	ns	
TXD setup to TXC fall	tTDVTCL	30	-	-	ns	
TXE hold after TXC	tTCLTNH	0	-	-	ns	
TXD hold after TXC	tTCLTDH	0	-	-	ns	

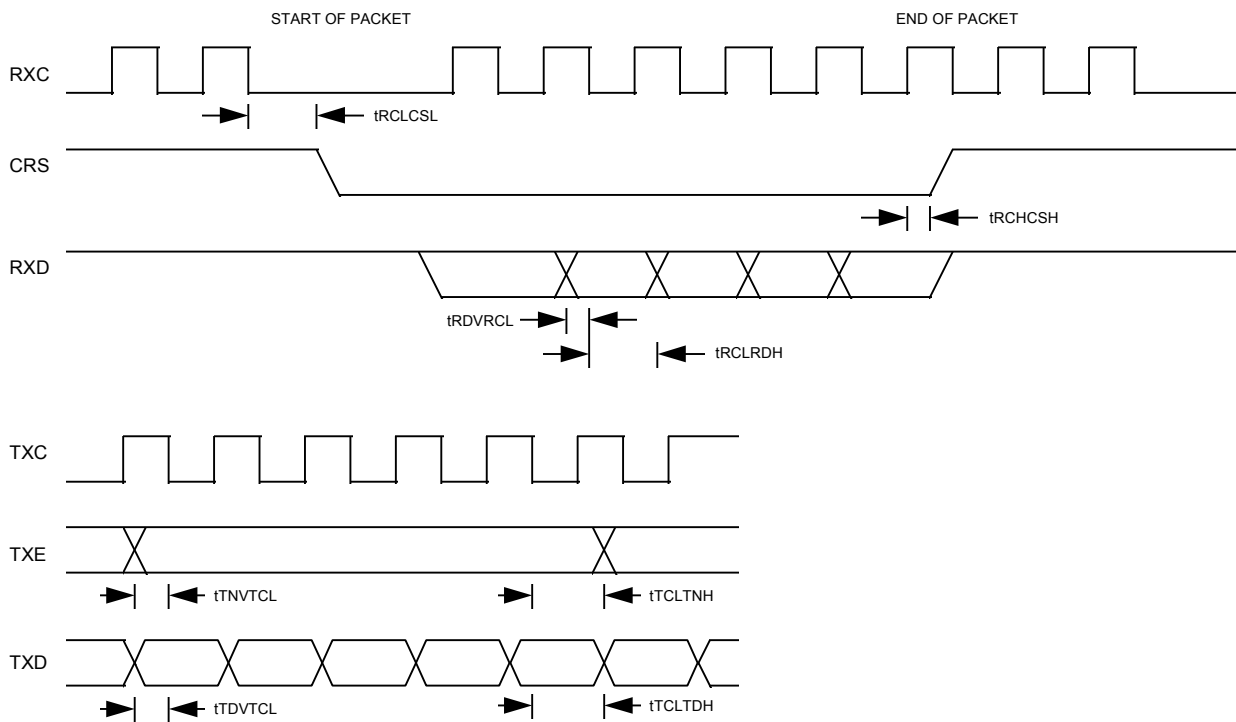
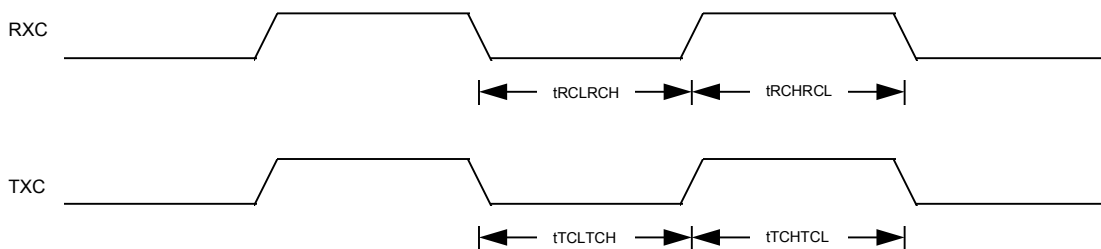


Figure 9. Controller Interface Timing (Intel/AT&T Mode)

4.2.10 Specific Timing for RXC and TXC

Parameter	Symbol	Min	Typ	Max	Unit	Note
RXC low width	tRCLRCH	45	50	55	ns	
RXC high width	tRCHRCL	45	50	55	ns	
TXC low width	tTCLTCH	45	50	55	ns	
TXC high width	tTCHTCL	45	50	55	ns	



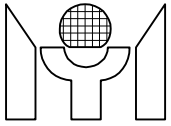


Figure 10. Specific Timing for RXC and TXC

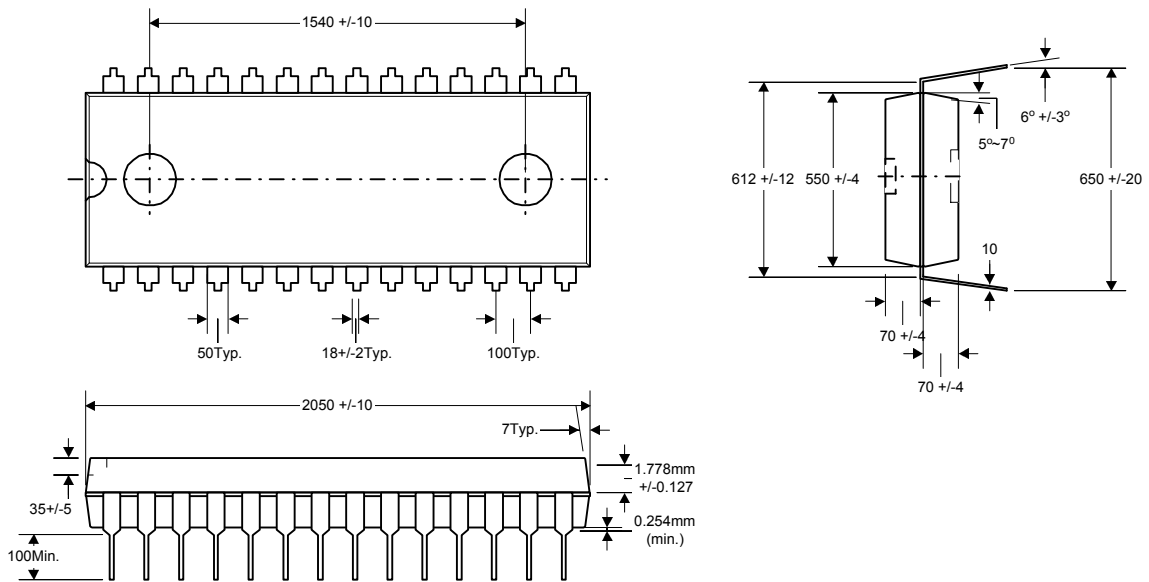
5.0 APPLICATION CIRCUITS

Please see attachment.

6.0 PACKAGE DIMENSION

A. 600 MIL 28-PIN PDIP

Unit: mil



B. 300 MIL 28-PIN SOJ

UNIT: INCH

