

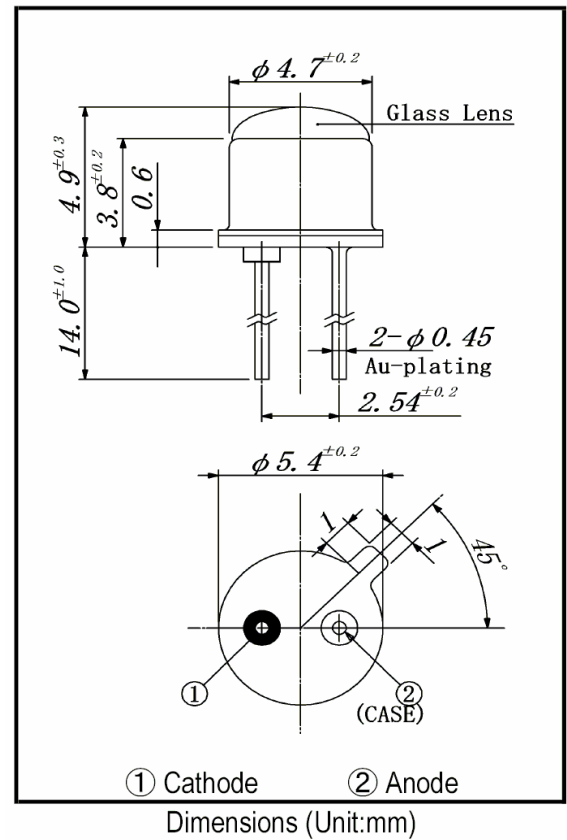
## MTE8720N2

## Features

High output power  
Narrow beam angle  
High reliability

## Maximum Ratings (Ta=25°C)

Characteristic	Symbol	Max.	Test Condition	Unit
Forward Current	I <sub>F</sub>	100	–	mA
Pulsed Forward Current	I <sub>FP</sub>	1.00	tw=10μ S, T=10mS	A
Reverse Voltage	V <sub>R</sub>	5	–	V
Power Dissipation	P <sub>D</sub>	200.00	–	mW
Operating Temperature	T <sub>opr</sub>	–20 ~ +85	–	°C
Storage Temperature	T <sub>stg</sub>	–30 ~ +100	–	°C
Junction Temperature	T <sub>j</sub>	+100°	–	°C
Soldering Temperature	T <sub>sol</sub>	260°	for 5 sec. max	°C



## Opto-Electrical Characteristics (Ta=25°C)

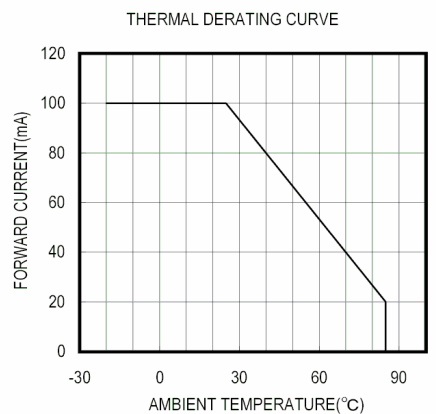
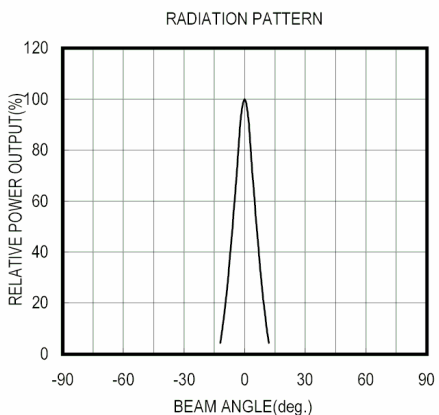
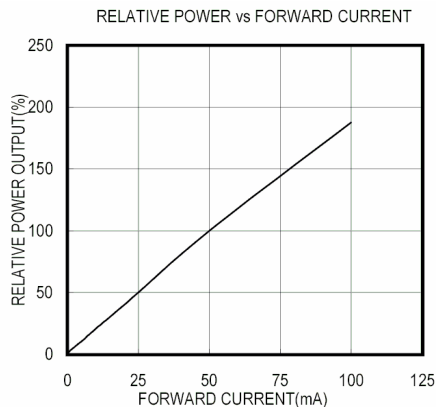
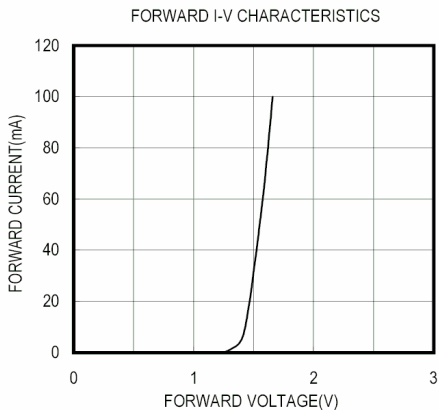
Characteristic	Symbol	Test Condition	Min	Typ	Max	Unit
Forward Voltage	V <sub>F</sub>	I <sub>F</sub> =50mA	–	1.55	2.00	V
Reverse Current	I <sub>R</sub>	V <sub>R</sub> =5V	–	–	10	μ A
Power Output	PO	I <sub>F</sub> =50mA	–	10.00	–	mW
Half Intensity Beam Angle	θ	–	–	± 6°	–	deg.
Peak Wavelength	λ <sub>p</sub>	I <sub>F</sub> =50mA	–	870	–	nm
Spectral Line Half Width	Δλ	I <sub>F</sub> =50mA	–	45	–	nm

Specification subject to change without notice.

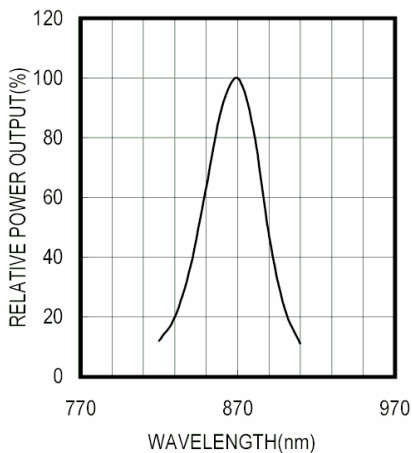


# Metal Can Domed Lens

## MTE8720N2 Graphs



### SPECTRAL OUTPUT



**Company Headquarters**  
120 Broadway  
Menands, New York 12204  
Toll Free: 800.984.5337  
Fax: 518.432.7454



Web: [www.marktechopto.com](http://www.marktechopto.com) | Email: [info@marktechopto.com](mailto:info@marktechopto.com)

**West Coast Sales Office**  
950 South Coast Drive, Suite 265  
Costa Mesa, California 92626  
Toll Free: 800.984.5337  
Fax: 714.850.9314