

MTE9052C

Features

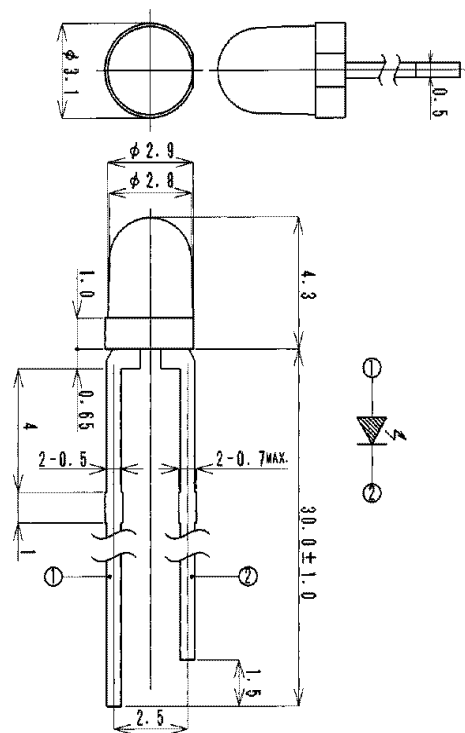
High Output Power
High Reliability

Applications

Optical Switches
Bar Code Reader

Maximum Ratings (Ta=25°C)

Characteristic	Symbol	Max.	Test Condition	Unit
Forward Current	I _F	60	–	mA
Pulsed Forward Current	I _{FP}	1.00	tw=10μS, T=10mS	A
Reverse Voltage	V _R	5	–	V
Power Dissipation	P _D	100.00	–	mW
Operating Temperature	T _{opr}	-20 ~ +80	–	°C
Storage Temperature	T _{stg}	-30 ~+100	–	°C
Junction Temperature	T _j	100	–	°C
Soldering Temperature	T _{sol}	260	for 5 sec. max	°C



① Anode

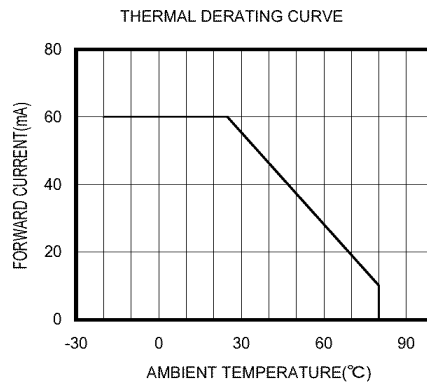
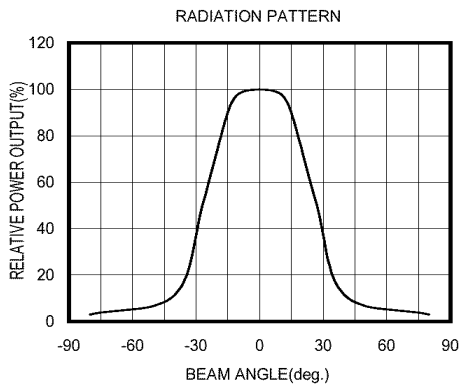
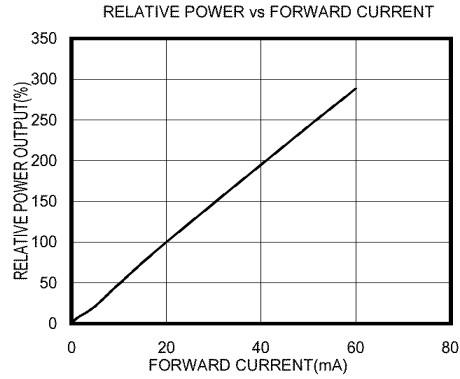
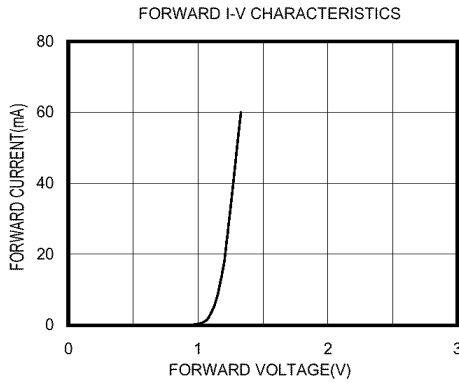
② Cathode

Opto-Electrical Characteristics (Ta=25°C)

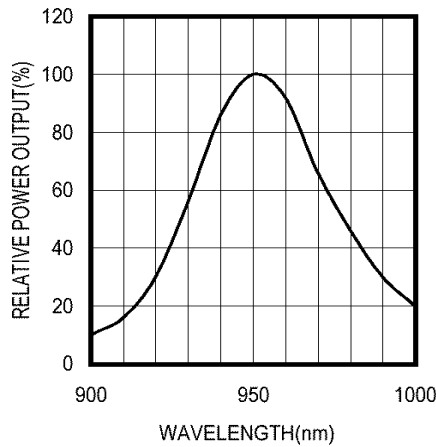
Characteristic	Symbol	Test Condition	Min	Typ	Max	Unit
Forward Voltage	V _F	I _F =20mA	–	1.20	1.50	V
Reverse Current	I _R	V _R =5V	–	–	10	μA
Power Output	PO	I _F =20mA	–	4.00	–	mW
Half Intensity Beam Angle	θ	–	–	± 30°	–	deg.
Peak Wavelength	λ _p	I _F =20mA	–	950	–	nm
Spectral Line Half Width	Δλ	I _F =20mA	–	50	–	nm

Company Headquarters
120 Broadway
Menands, New York 12204
Toll Free: 800.984.5337
Fax: 518.432.7454

MTE9052C Graphs



SPECTRAL OUTPUT



Company Headquarters
 120 Broadway
 Menands, New York 12204
 Toll Free: 800.984.5337
 Fax: 518.432.7454

West Coast Sales Office
 950 South Coast Drive, Suite 265
 Costa Mesa, California 92626
 Toll Free: 800.984.5337
 Fax: 714.850.9314