

MTKH Series -SMD TCXO

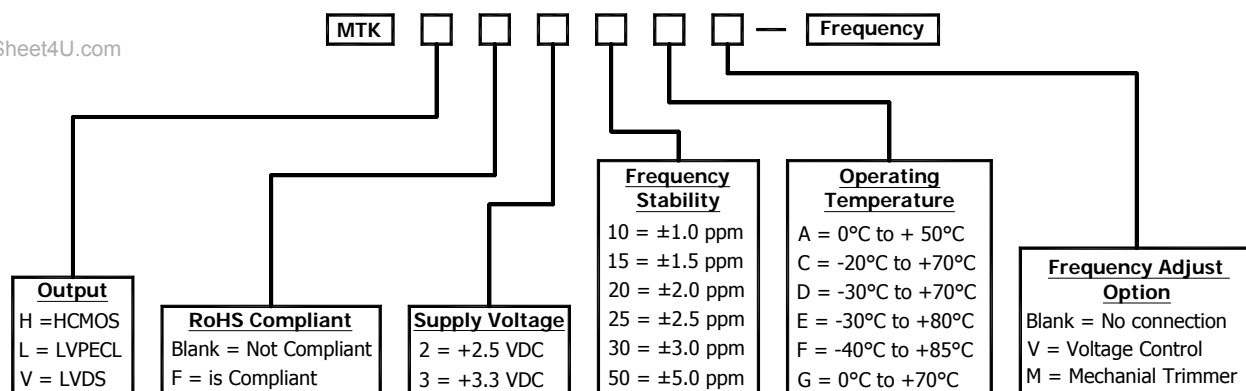


- Industry Standard Package
- Wide Frequency Range
- HCMOS, LVDS, or LVPECL Output
- RoHS Compliant Available

ELECTRICAL SPECIFICATIONS:

		HCMOS	LVDS	LVPECL
Frequency Range		10.000MHZ to 200.000MHZ	75.000MHZ to 1.000GHZ	
Frequency Stability		(See Part Number Guide for Options)		
Operating Temp.Range		(See Part Number Guide for Options)		
Storage Temp. Range		-55°C to +125°C		
Aging		±5 ppm / yr max		
Logic "0"		10% of Vdd max	1.43V typ	Vdd - 1.620 VDC max
Logic "1"		90% of Vdd min	1.10V typ	Vdd- 1.025 vdc min
Supply Voltage (Vdd)	+2.5VDC ± 5%	65mA max	50 mA max	50 mA max
Supply Current	+3.3VDC ± 5%	65mA max	60 mA max	60 mA max
Symmetry (50% of waveform)		(See Part Number Guide for Options)		
Rise / Fall Time (20% to 80%)		2nSec max < 100.000MHZ / 1.5nSec ≥ 100.000MHZ		
Load		10kΩ // 15pF	50 Ohms into Vdd-2.00 VDC	100Ω
Start Time		10mSec max		
Tri-State Operation		Voh = 70% of Vdd min or No Connection to Enable Output Vol = 30% max or grounded to Disable Output (High Impedance)		
Control Voltage (Vc)	+2.5VDC	±10 ppm with Vc = +1.25VDC ±1.00VDC, Positive Slope		
Option	+3.3VDC	±10 ppm with Vc = +1.65VDC ±1.50VDC, Positive Slope		

PART NUMBER GUIDE:



Please Consult with MMD Sales Department for any other Parameters or Options

MMD Components, 30400 Esperanza, Rancho Santa Margarita, CA, 92688
 Phone: (949) 709-5075, Fax: (949) 709-3536, www.mmdcomp.com
 Sales@mmdcomp.com

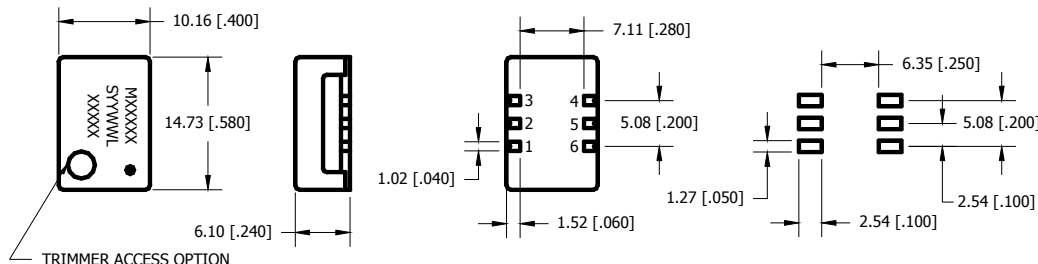
FREQUENCY STABILITY vs TEMPERATURE TABLE:

Code	Stability	15	20	25	30	50
	Temp	±1.5ppm	±2.0ppm	±2.5ppm	±3.0ppm	±5.0ppm
A	0°C TO +50°C	●	●	●	●	●
G	0°C TO +70°C	□	●	●	●	●
C	-20°C TO +70°C	□	●	●	●	●
D	-30°C TO +70°C	□	●	●	●	●
E	-30°C TO +80°C	□	●	●	●	●
F	-40°C TO +85°C	□	□	●	●	●

● = Available

□ = Consult with the Manufacturer

MECHANICAL DIMENSIONS:



Pin Connections	
Pin 1	No Connection or Voltage Control
Pin 2	Enable / Disable
Pin 3	Case Ground
Pin 4	Output
Pin 5	Comp Output
Pin 6	Supply Voltage (Vcc)

DIMENSION IN BRACKETS ARE IN INCHES
TOLERANCE: ±0.25 [.010]

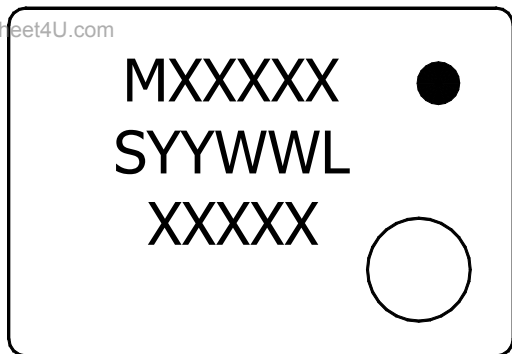
RECOMMENDED
LAND PATTERN

EXTERNAL BYPASS CAPACITOR IS RECOMMENDED
UNIT IS NOT HERMETICALLY SEALED

ENVIRONMENT / MECHANICAL:

Shock	MIL-STD-883, Method 2002, Condition B
Solderability	MIL-STD-883, Method 2003
Solvent Resistance	MIL-STD-883, Method 215
Vibration	MIL-STD-883, Method 2007, Condition A

MARKING DETAIL:



Line 1 = MXXXXX

M = MMD COMPONENTS
XXXXX = Frequency in MHZ

Line 2 = SYYWWL

S = Internal Code
YYMM = 4 Digit Date Code (Year / Month)
L = Denotes RoHS Compliant

Line 3 = XXXXX

Internal use only
May vary with lots

Black dot to denote Pin 1

MMD Components, 30400 Esperanza, Rancho Santa Margarita, CA, 92688
Phone: (949) 709-5075, Fax: (949) 709-3536, www.mmdcomp.com
Sales@mmdcomp.com