

N-CHANNEL MOSFET

MTN7002ZAS3

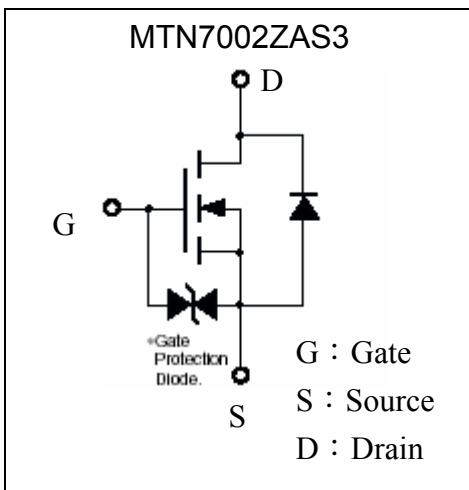
Description

The MTN7002ZAS3 is a N-channel enhancement-mode MOSFET.

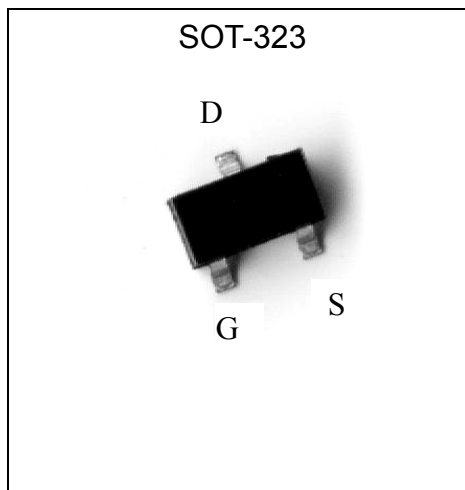
Features

- Low on-resistance
- High ESD
- High speed switching
- Low-voltage drive(4V)
- Easily designed drive circuits
- Easy to use in parallel
- Pb-free package

Symbol



Outline



Ordering Information

Device	Package	Shipping
MTN7002ZAS3-0-T1-G	SOT-323 (Pb-free lead plating and halogen-free package)	3000 pcs / Tape & Reel



Absolute Maximum Ratings (Ta=25°C)

Parameter	Symbol	Limits	Unit
Drain-Source Voltage	V _{DSS}	60	V
Gate-Source Voltage	V _{GSS}	±20	V
Drain Current	Continuous	200	mA
	Pulsed	800 *1	mA
Drain Reverse Current	Continuous	200	mA
	Pulsed	800 *1	mA
Total Power Dissipation	P _D	200 *2	mW
ESD susceptibility		1500 *3	V
Channel Temperature	T _{CH}	+150	°C
Storage Temperature	T _{stg}	-55~+150	°C

Note : *1. Pulse Width ≤ 300µs, Duty cycle ≤ 2%

*2. When the device is mounted on a glass epoxy board with area measuring 1x0.75x0.62 inch

*3. Human body model, 1.5kΩ in series with 100pF

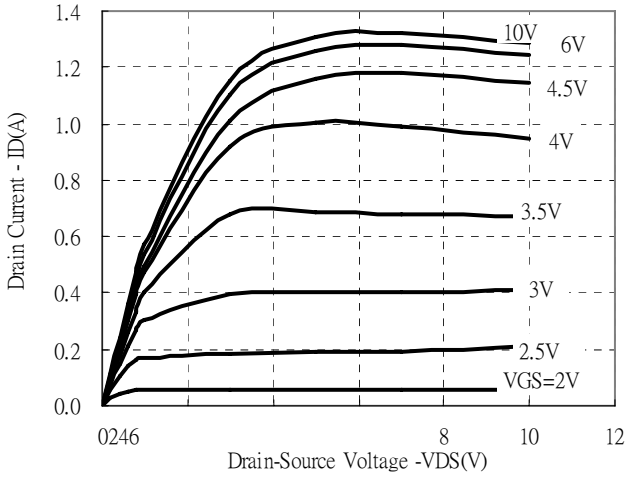
Electrical Characteristics (Ta=25°C)

Symbol	Min.	Typ.	Max.	Unit	Test Conditions
BV _{DSS} *	60	-	-	V	V _{GS} =0, I _D =10µA
V _{GS(th)}	1	-	2.5	V	V _{DS} =V _{GS} , I _D =250µA
I _{GSS}	-	-	±10	µA	V _{GS} =±20V, V _{DS} =0
I _{DSS}	-	-	1	µA	V _{DS} =60V, V _{GS} =0
R _{DS(ON)} *	-	1.5	3	Ω	I _D =500mA, V _{GS} =10V
	-	1.7	3.2		I _D =100mA, V _{GS} =5V
	-	1.9	3.3		I _D =100mA, V _{GS} =4.5V
G _{FS}	100	-	-	mS	V _{DS} =10V, I _D =100mA
C _{iss}	-	29	-	pF	V _{DS} =25V, V _{GS} =0, f=1MHz
C _{oss}	-	4	-		
C _{rss}	-	2.8	-		
t _{d(ON)}	-	3	-		
t _r	-	5	-		
t _{d(OFF)}	-	14	-		
t _f	-	9	-		
Q _g	-	1.1	-	nC	V _{DS} =30V, I _D =200mA, V _{GS} =10V
Q _{gs}	-	0.1	-		
Q _{gd}	-	0.23	-		

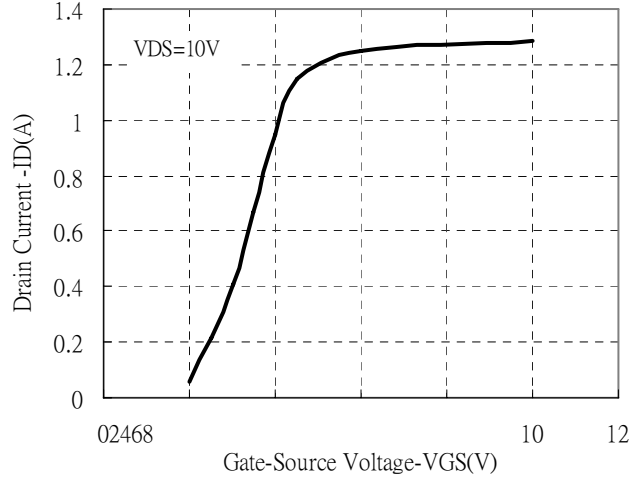
*Pulse Test : Pulse Width ≤ 380µs, Duty Cycle ≤ 2%

Typical Characteristics

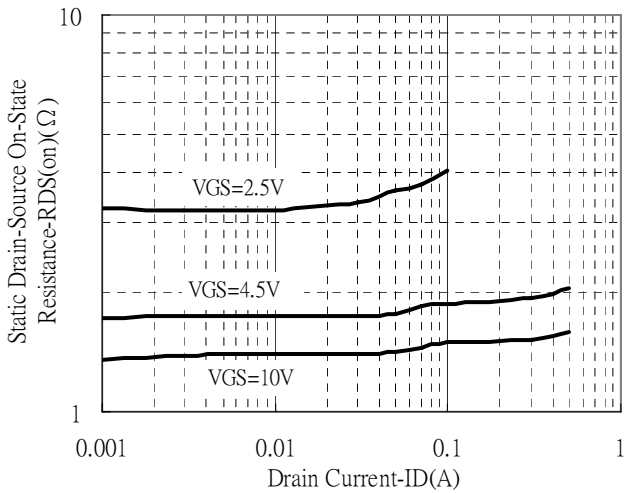
Typical Output Characteristics



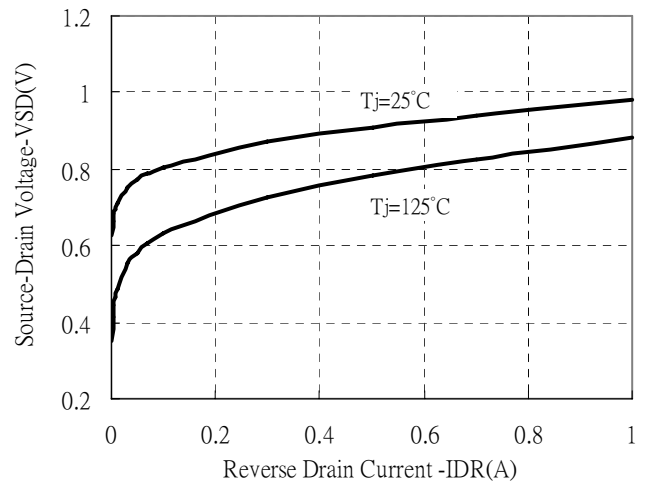
Typical Transfer Characteristics



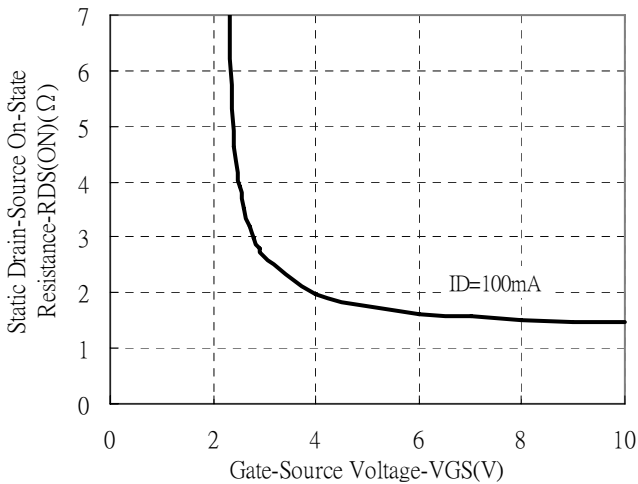
Static Drain-Source On-State resistance vs Drain Current



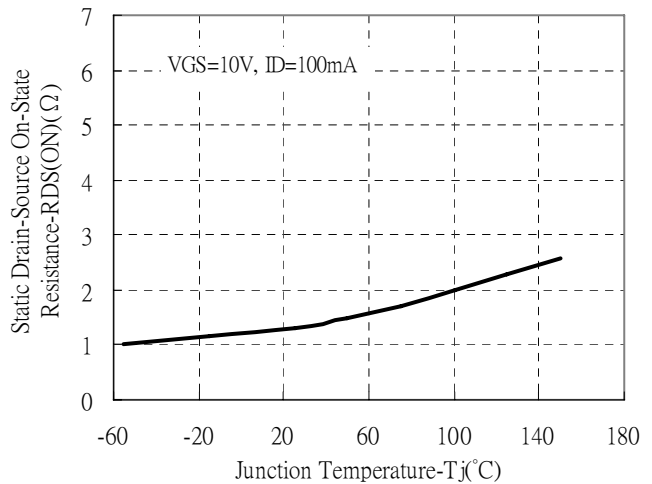
Reverse Drain Current vs Source-Drain Voltage



Static Drain-Source On-State Resistance vs Gate-Source Voltage



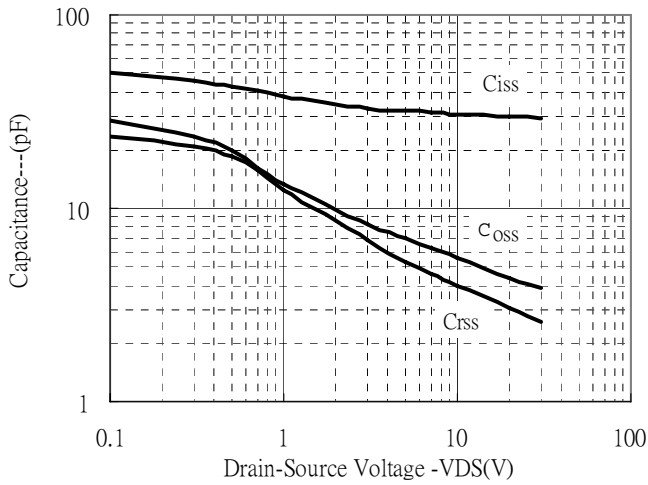
Drain-Source On-State Resistance vs Junction Temperature



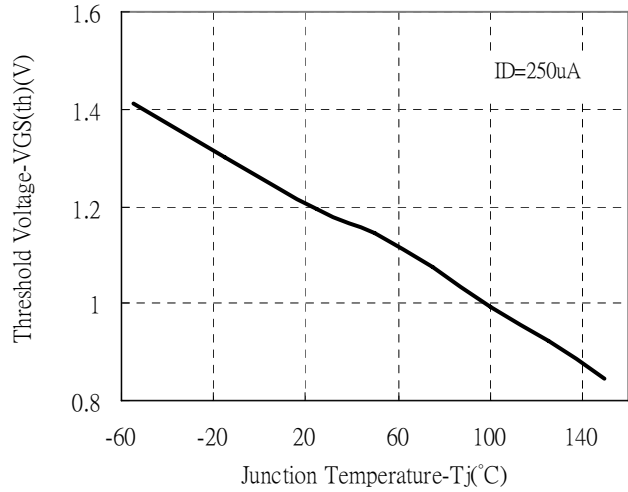


Characteristic Curves(Cont.)

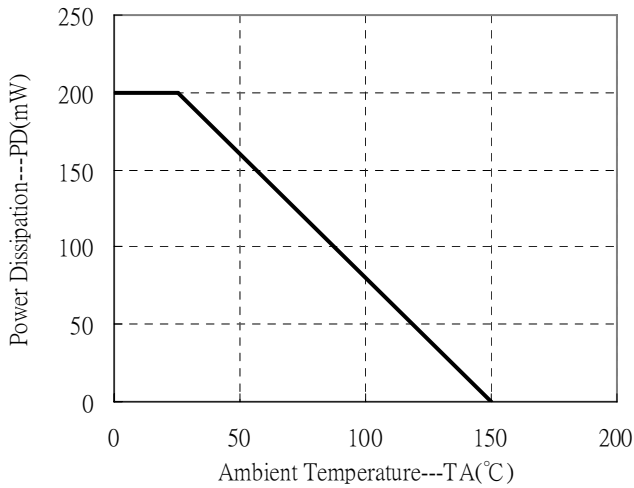
Capacitance vs Drain-to-Source Voltage



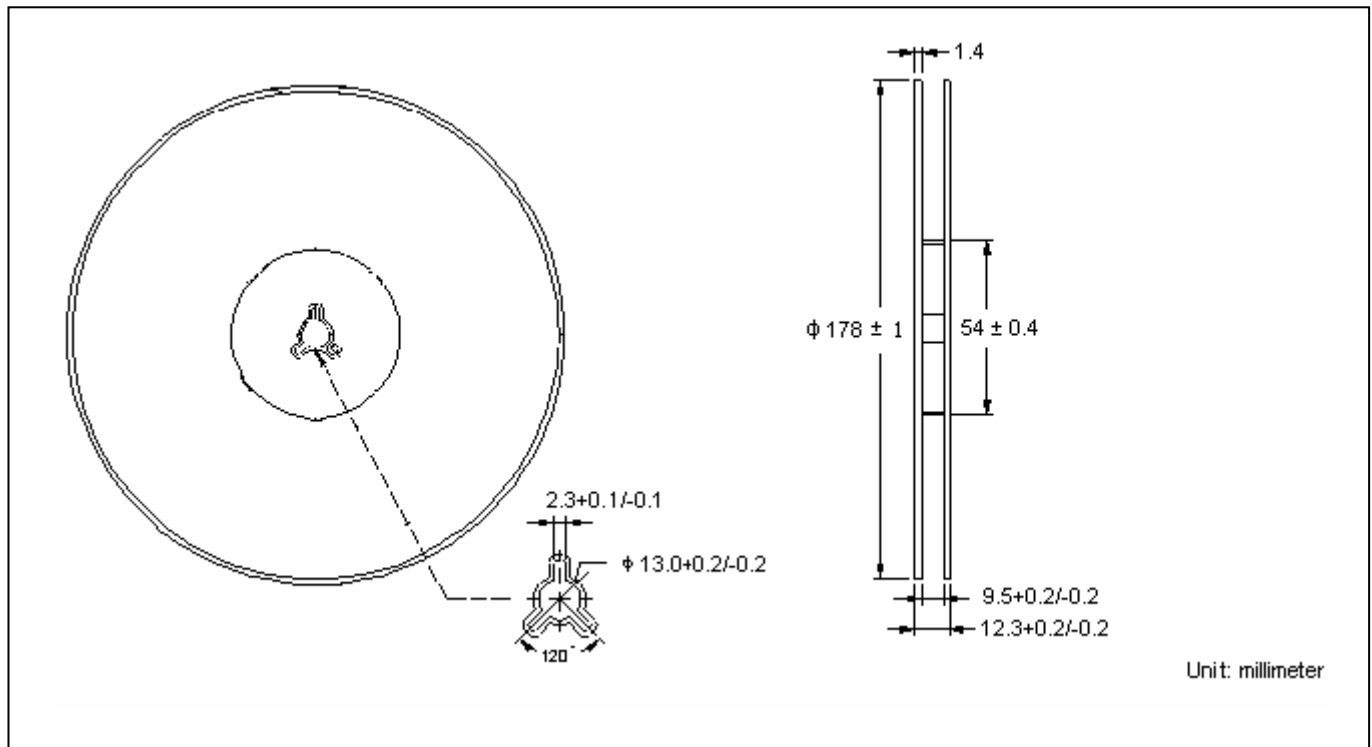
Threshold Voltage vs Junction Temperature



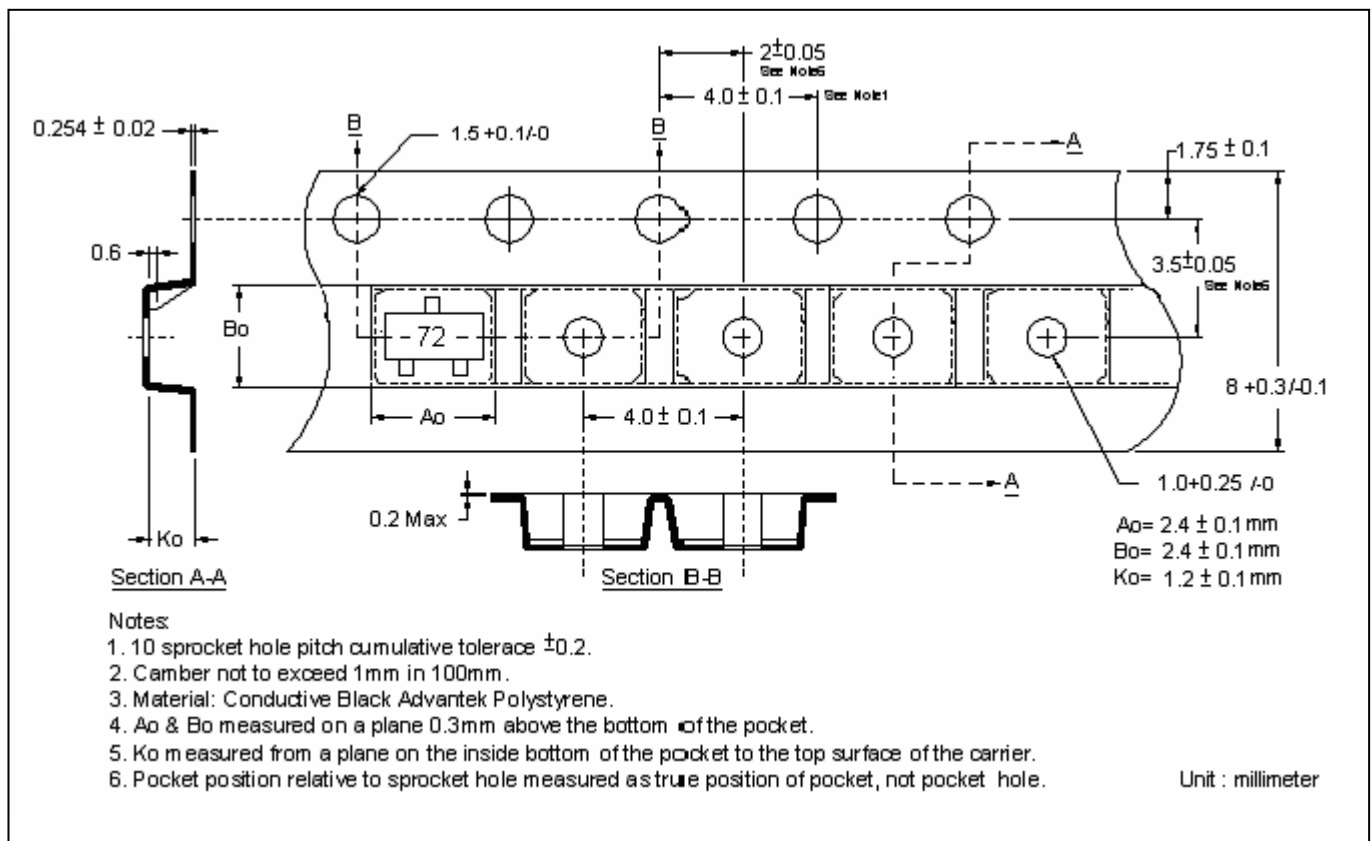
Power Derating Curve



Reel Dimension



Carrier Tape Dimension



Recommended wave soldering condition

Product	Peak Temperature	Soldering Time
Pb-free devices	260 +0/-5 °C	5 +1/-1 seconds

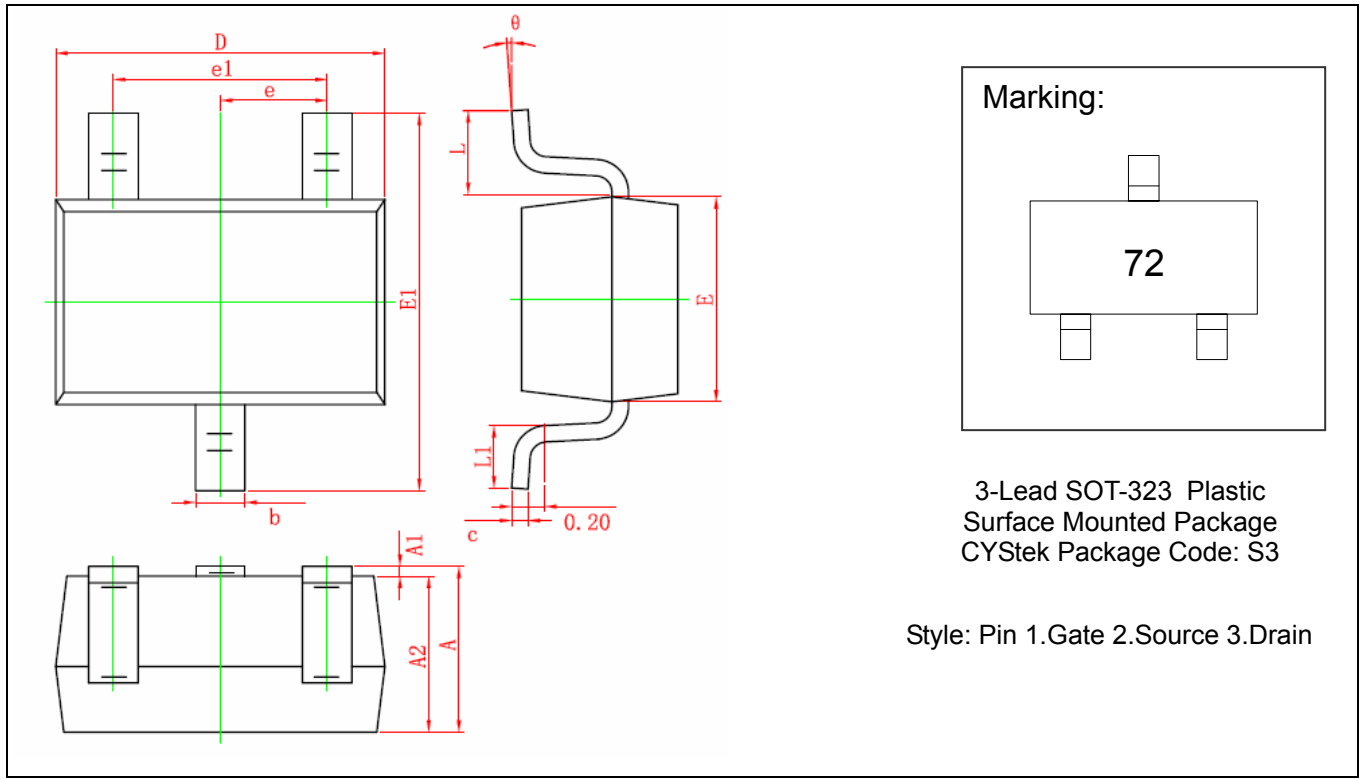
Recommended temperature profile for IR reflow



Profile feature	Sn-Pb eutectic Assembly	Pb-free Assembly
Average ramp-up rate (Tsmax to Tp)	3°C/second max.	3°C/second max.
Preheat		
-Temperature Min(Ts min)	100°C	150°C
-Temperature Max(Ts max)	150°C	200°C
-Time(ts min to ts max)	60-120 seconds	60-180 seconds
Time maintained above:		
-Temperature (Tl)	183°C	217°C
- Time (tL)	60-150 seconds	60-150 seconds
Peak Temperature(Tp)	240 +0/-5 °C	260 +0/-5 °C
Time within 5°C of actual peak temperature(tp)	10-30 seconds	20-40 seconds
Ramp down rate	6°C/second max.	6°C/second max.
Time 25 °C to peak temperature	6 minutes max.	8 minutes max.

Note : All temperatures refer to topside of the package, measured on the package body surface.

SOT-323 Dimension



DIM	Millimeters		Inches		DIM	Millimeters		Inches	
	Min.	Max.	Min.	Max.		Min.	Max.	Min.	Max.
A	0.900	1.100	0.035	0.043	E1	2.150	2.450	0.085	0.096
A1	0.000	0.100	0.000	0.004	e	0.650	TYP	0.026	TYP
A2	0.900	1.000	0.035	0.039	e1	1.200	1.400	0.047	0.055
b	0.200	0.400	0.008	0.016	L	0.525	REF	0.021	REF
c	0.080	0.150	0.003	0.006	L1	0.260	0.460	0.010	0.018
D	2.000	2.200	0.079	0.087	θ	0°	8°	0°	8°
E	1.150	1.350	0.045	0.053					

Notes: 1.Controlling dimension: millimeters.
 2.Maximum lead thickness includes lead finish thickness, and minimum lead thickness is the minimum thickness of base material.
 3.If there is any question with packing specification or packing method, please contact your local CYStek sales office.

Material:

- Lead: Pure tin plated.
- Mold Compound: Epoxy resin family, flammability solid burning class: UL94V-0.

Important Notice:

- All rights are reserved. Reproduction in whole or in part is prohibited without the prior written approval of CYStek.
- CYStek reserves the right to make changes to its products without notice.
- CYStek **semiconductor products are not warranted to be suitable for use in Life-Support Applications, or systems.**
- CYStek assumes no liability for any consequence of customer product design, infringement of patents, or application assistance.