

Features

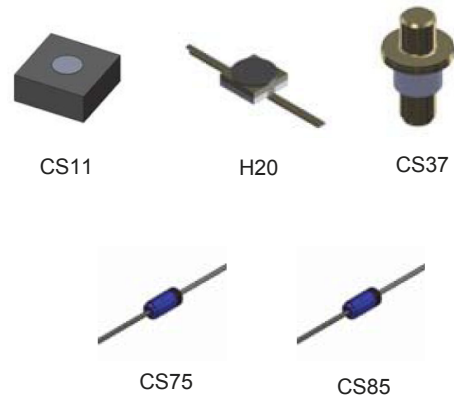
- Low Series Resistance
- High Q Factor
- Extensive Selection of Capacitance Values
- RoHS* Compliant

Description

The MTV4045 series are available with typical capacitance at reverse voltage of 4 V from 0.4 pF up to 22 pF. These silicon varactor diodes offer very high quality factor for low series resistance, very low leakage current and wide tuning range. These diodes are passivated with a high-reliability passivation for low leakage current and high reliability. The devices are available as unpackaged chips or in several package styles.

These rugged devices are capable of reliable operation in all military, commercial and industrial applications. Ideally suited for voltage controlled oscillators and filters and analog voltage controlled phase shifters.

The MTV4045 family of silicon abrupt tuning varactors are capable of meeting the environmental requirements of MIL-STD-750 and MIL-STD-883.



Electrical Specifications: $T_C = +25^\circ\text{C}$

Part Number	Reverse Voltage V_B $I_R = 10 \mu\text{A}$	Junction Capacitance ¹ C_J $V_R = 4 \text{ V}, 1 \text{ MHz}$	Capacitance Ratio C_R C_{T0} / C_{T45}	Quality Factor Q $V_R = 4 \text{ V}, 50 \text{ MHz}$
	Minimum	Typical	Minimum	Minimum
MTV4045-01	45	0.4	7	3000
MTV4045-02	45	0.6	7	3000
MTV4045-03	45	0.8	7	2800
MTV4045-04	45	1.0	7	2800
MTV4045-05	45	1.2	7	2600
MTV4045-06	45	1.4	7	2400
MTV4045-07	45	1.6	7	2400
MTV4045-08	45	1.8	7	2300
MTV4045-09	45	2.2	7	2200
MTV4045-10	45	2.7	7	2200

(Continued next page)

1

* Restrictions on Hazardous Substances, European Union Directive 2011/65/EU.

Electrical Specifications: $T_C = +25^\circ\text{C}$

Part Number	Reverse Voltage V_B $I_R = 10 \mu\text{A}$	Junction Capacitance ¹ C_J $V_R = 4 \text{ V}, 1 \text{ MHz}$	Capacitance Ratio C_R C_{T0} / C_{T45}	Quality Factor Q $V_R = 4 \text{ V}, 50 \text{ MHz}$
	Minimum	Typical	Minimum	Minimum
MTV4045-11	45	3.3	7	2100
MTV4045-12	45	3.6	7	2000
MTV4045-13	45	3.9	7	2000
MTV4045-14	45	4.7	7	2000
MTV4045-15	45	5.6	7	1900
MTV4045-16	45	6.8	7	1800
MTV4045-17	45	8.2	7	1700
MTV4045-18	45	10.0	7	1600
MTV4045-19	45	12.0	7	1500
MTV4045-20	45	15.0	7	1400
MTV4045-21	45	18.0	7	1300
MTV4045-22	45	22.0	7	1200

1. Total Capacitance (C_T) values will vary depending upon the desired packaging type ($C_J + \text{package} = C_T$).

Absolute Maximum Ratings

Parameter	Absolute Maximum
Reverse DC Voltage	45 V
Forward Current	50 mA
Power Dissipation	250 mW
Operating Temperature	-55°C to +150°C
Storage Temperature	-65°C to +100°C

Handling Procedures

Please observe the following precautions to avoid damage:

Static Sensitivity

These electronic devices are sensitive to electrostatic discharge (ESD) and can be damaged by static electricity. Proper ESD control techniques should be used when handling these HBM Class 0 devices.

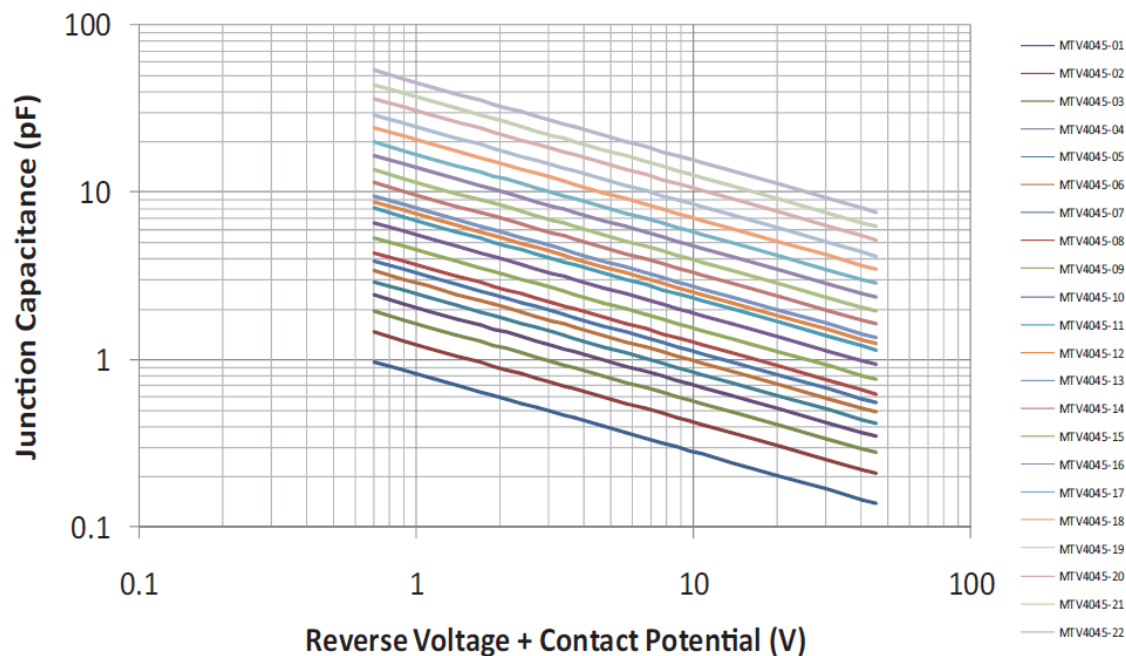
Moisture Sensitivity

These electronic devices are rated MSL 1.

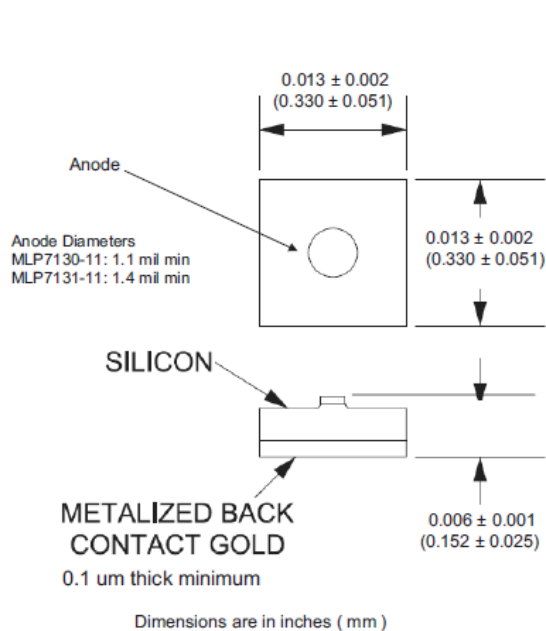
Package Style	Package Capacitance (pF)	Series Inductance (nH)
	Typical	Typical
CS11	0	0.12
H20	0.20	0.12
CS37	0.19	0.40
CS75	0.25	1.20
CS85	0.30	1.50

Typical Performance Curve:

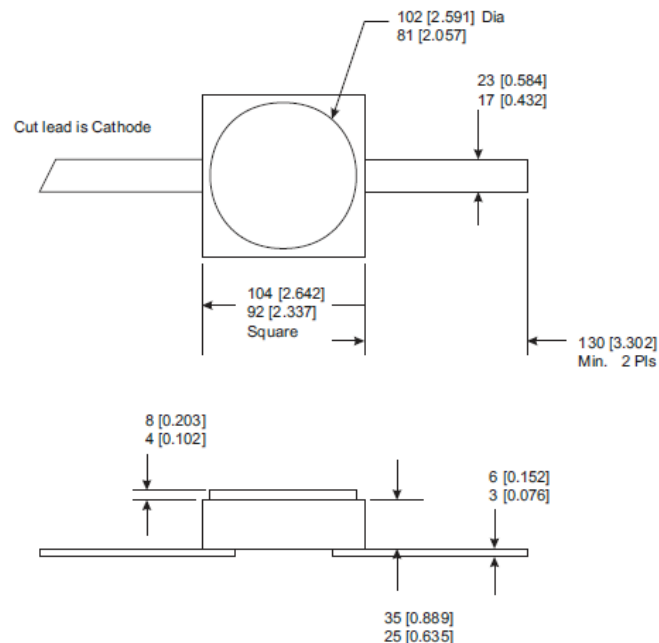
Junction Capacitance vs. Reverse Voltage



Outline Drawing - CS11

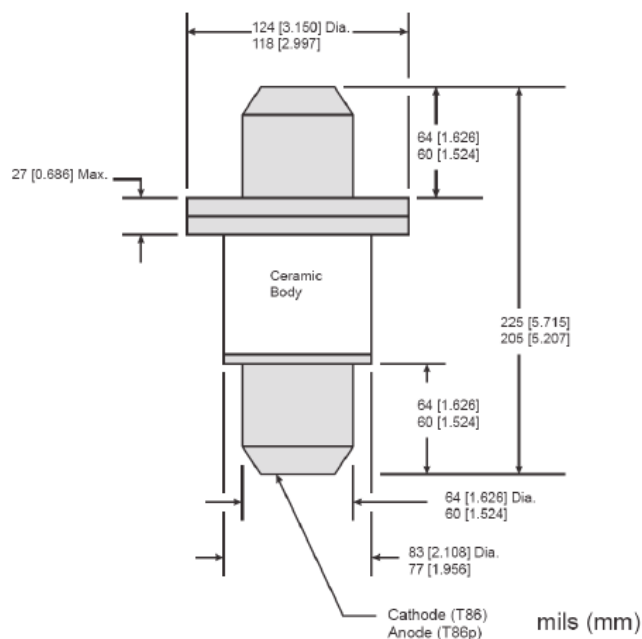


Outline Drawing - CS20 (H20)



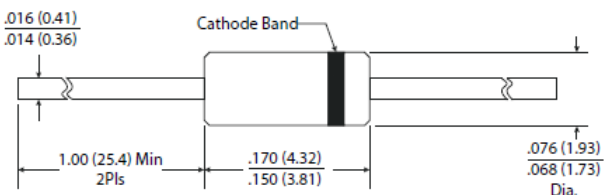
Package Capacitance (C_{PKG}) = 0.2 pF

Outline Drawing - CS37 (T86)

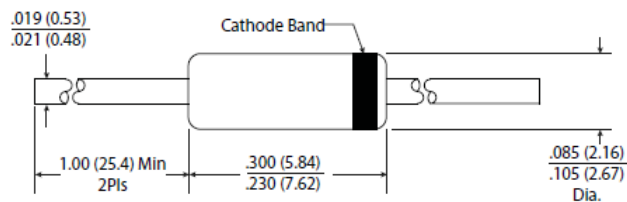


Package Capacitance (C_{PKG}) = 0.17 pF

Outline Drawing - CS75 (A15)



Outline Drawing - CS85



Note: Dimensions are in inches (mm)

Ordering Information

Example Part: MTV4045-01-XX, replace -XX with desired case style suffix	
-11	CS11 (C11), Silicon Die
-20	H20, Surface Mount, Ceramic Package
-37	CS37 (T86), Pill Package, Ceramic Body
-75	CS75 (A15), Glass Axial Leaded (Hermetic)
-85	CS85, Glass Axial Leaded

M/A-COM Technology Solutions Inc. All rights reserved.

Information in this document is provided in connection with M/A-COM Technology Solutions Inc ("MACOM") products. These materials are provided by MACOM as a service to its customers and may be used for informational purposes only. Except as provided in MACOM's Terms and Conditions of Sale for such products or in any separate agreement related to this document, MACOM assumes no liability whatsoever. MACOM assumes no responsibility for errors or omissions in these materials. MACOM may make changes to specifications and product descriptions at any time, without notice. MACOM makes no commitment to update the information and shall have no responsibility whatsoever for conflicts or incompatibilities arising from future changes to its specifications and product descriptions. No license, express or implied, by estoppel or otherwise, to any intellectual property rights is granted by this document.

THESE MATERIALS ARE PROVIDED "AS IS" WITHOUT WARRANTY OF ANY KIND, EITHER EXPRESS OR IMPLIED, RELATING TO SALE AND/OR USE OF MACOM PRODUCTS INCLUDING LIABILITY OR WARRANTIES RELATING TO FITNESS FOR A PARTICULAR PURPOSE, CONSEQUENTIAL OR INCIDENTAL DAMAGES, MERCHANTABILITY, OR INFRINGEMENT OF ANY PATENT, COPYRIGHT OR OTHER INTELLECTUAL PROPERTY RIGHT. MACOM FURTHER DOES NOT WARRANT THE ACCURACY OR COMPLETENESS OF THE INFORMATION, TEXT, GRAPHICS OR OTHER ITEMS CONTAINED WITHIN THESE MATERIALS. MACOM SHALL NOT BE LIABLE FOR ANY SPECIAL, INDIRECT, INCIDENTAL, OR CONSEQUENTIAL DAMAGES, INCLUDING WITHOUT LIMITATION, LOST REVENUES OR LOST PROFITS, WHICH MAY RESULT FROM THE USE OF THESE MATERIALS.

MACOM products are not intended for use in medical, lifesaving or life sustaining applications. MACOM customers using or selling MACOM products for use in such applications do so at their own risk and agree to fully indemnify MACOM for any damages resulting from such improper use or sale.