



**DESCRIPTION**

The MTZJ30D~ MTZJ2.0A are available in DO-35 Package

**FEATURES**

- Zener voltage regulator diodes
- Hermetically sealed glass silicon zener diodes
- complete voltage range: 1.88 to 30.51 volts
- Available in DO-35 Package

**ORDERING INFORMATION**

**PIN DESCRIPTION**

Package Type	Part Number
DO-35	MTZJ30D/C/B/A
	MTZJ27D/C/B/A
	MTZJ24D/C/B/A
	MTZJ22D/C/B/A
	MTZJ20D/C/B/A
	MTZJ18C/B/A
	MTZJ16C/B/A
	MTZJ15C/B/A
	MTZJ13C/B/A
	MTZJ12C/B/A
	MTZJ11C/B/A
	MTZJ10D/C/B/A
	MTZJ9.1C/B/A
	MTZJ8.2C/B/A
	MTZJ7.5C/B/A
	MTZJ6.8C/B/A
	MTZJ6.2C/B/A
	MTZJ5.6C/B/A
	MTZJ5.1C/B/A
	MTZJ4.7C/B/A
	MTZJ4.3C/B/A
	MTZJ3.9B/A
	MTZJ3.6B/A
	MTZJ3.3B/A
MTZJ3.0B/A	
MTZJ2.7B/A	
MTZJ2.4B/A	
MTZJ2.2B/A	
MTZJ2.0B/A	
Note	5000pcs/Tape
AiT provides all RoHS Compliant Products	





## ELECTRICAL CHARACTERISTICS

T<sub>A</sub> = 25°C, P = 500 (mW)

Part Number	V <sub>Z</sub> @I <sub>Z</sub>		Z <sub>zT</sub> @I <sub>Z</sub>	I <sub>Z</sub>	I <sub>R</sub> @V <sub>R</sub>	V <sub>R</sub>
	Min	Max				
MTZJ30D	29.02	30.51	55	5	0.2	23
MTZJ30C	28.36	29.82				
MTZJ30B	27.70	29.13				
MTZJ30A	26.99	28.39				
MTZJ27D	26.29	27.64	45	5	0.2	21
MTZJ27C	25.63	26.95				
MTZJ27B	24.97	26.26				
MTZJ27A	24.26	25.52				
MTZJ24D	23.63	24.85	35	5	0.2	19
MTZJ24C	23.12	24.31				
MTZJ24B	22.61	23.77				
MTZJ24A	22.05	23.18				
MTZJ22D	21.52	22.63	30	5	0.2	17
MTZJ22C	21.08	22.17				
MTZJ22B	20.64	21.71				
MTZJ22A	20.15	21.20				
MTZJ20D	19.72	20.72	30	5	0.2	15
MTZJ20C	19.23	20.22				
MTZJ20B	18.63	19.59				
MTZJ20A	18.02	18.96				
MTZJ18C	17.42	18.33	30	5	0.2	13
MTZJ18B	16.82	17.70				
MTZJ18A	16.22	17.06				
MTZJ16C	15.69	16.51	25	5	0.2	12
MTZJ16B	15.25	16.04				
MTZJ16A	14.80	15.57				
MTZJ15C	14.35	15.09	25	5	0.2	11
MTZJ15B	13.89	14.62				
MTZJ15A	13.44	14.13				



T<sub>A</sub> = 25°C, P = 500 (mW)

Part Number	V <sub>Z</sub> @I <sub>Z</sub>		Z <sub>zT</sub> @I <sub>Z</sub>	I <sub>Z</sub>	I <sub>R</sub> @V <sub>R</sub>	V <sub>R</sub>
	Min	Max				
MTZJ13C	12.99	13.66	25	5	0.2	10
MTZJ13B	12.55	13.21				
MTZJ13A	12.11	12.75				
MTZJ12C	11.74	12.35	25	5	0.2	9
MTZJ12B	11.44	12.03				
MTZJ12A	11.13	11.71				
MTZJ11C	10.82	11.38	20	5	0.2	8
MTZJ11B	10.50	11.05				
MTZJ11A	10.18	10.71				
MTZJ10D	9.94	10.44	20	5	0.2	7
MTZJ10C	9.70	10.2				
MTZJ10B	9.41	9.9				
MTZJ10A	9.12	9.59				
MTZJ9.1C	8.83	9.3	20	5	0.5	6
MTZJ9.1B	8.57	9.01				
MTZJ9.1A	8.29	8.73				
MTZJ8.2C	8.03	8.45	20	5	0.5	5
MTZJ8.2B	7.78	8.19				
MTZJ8.2A	7.53	7.92				
MTZJ7.5C	7.29	7.67	20	5	0.5	4
MTZJ7.5B	7.07	7.45				
MTZJ7.5A	6.85	7.22				
MTZJ6.8C	6.66	7.01	20	5	2	3.5
MTZJ6.8B	6.49	6.83				
MTZJ6.8A	6.29	6.63				
MTZJ6.2C	6.12	6.44	30	5	5	3
MTZJ6.2B	5.96	6.27				
MTZJ6.2A	5.78	6.09				
MTZJ5.6C	5.61	5.91	40	5	5	2.5
MTZJ5.6B	5.45	5.73				
MTZJ5.6A	5.28	5.55				



T<sub>A</sub> = 25°C, P = 500 (mW)

Part Number	V <sub>Z</sub> @I <sub>Z</sub>		Z <sub>zt</sub> @I <sub>Z</sub>	I <sub>Z</sub>	I <sub>R</sub> @V <sub>R</sub>	V <sub>R</sub>
	Min	Max				
MTZJ5.1C	5.09	5.37	70	5	5	1.5
MTZJ5.1B	4.94	5.2				
MTZJ5.1A	4.81	5.07				
MTZJ4.7C	4.68	4.93	80	5	5	1
MTZJ4.7B	4.55	4.8				
MTZJ4.7A	4.44	4.68				
MTZJ4.3C	4.3	4.57	100	5	5	1
MTZJ4.3B	4.17	4.43				
MTZJ4.3A	4.04	4.29				
MTZJ3.9B	3.89	4.16	100	5	5	1
MTZJ3.9A	3.74	4.01				
MTZJ3.6B	3.6	3.845	100	5	10	1
MTZJ3.6A	3.455	3.695				
MTZJ3.3B	3.32	3.53	120	5	20	1
MTZJ3.3A	3.16	3.38				
MTZJ3.0B	3.01	3.22	120	5	50	1
MTZJ3.0A	2.85	3.07				
MTZJ2.7B	2.69	2.91	110	5	100	1
MTZJ2.7A	2.54	2.75				
MTZJ2.4B	2.43	2.63	100	5	120	1
MTZJ2.4A	2.33	2.52				
MTZJ2.2B	2.22	2.41	100	5	120	0.7
MTZJ2.2A	2.12	2.3				
MTZJ2.0B	2.02	2.2	100	5	120	0.5
MTZJ2.0A	1.88	2.1				

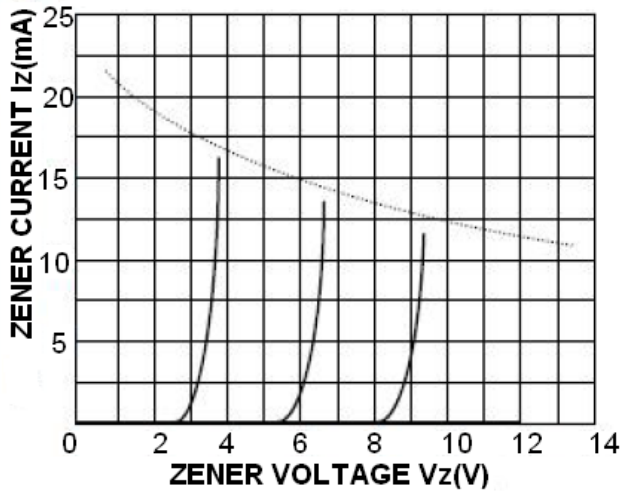
NOTE1: Valid provided that leads at a distance of 8mm from case are kept at ambient temperature.

NOTE2: Tested with pulse t<sub>p</sub> = 40ms.

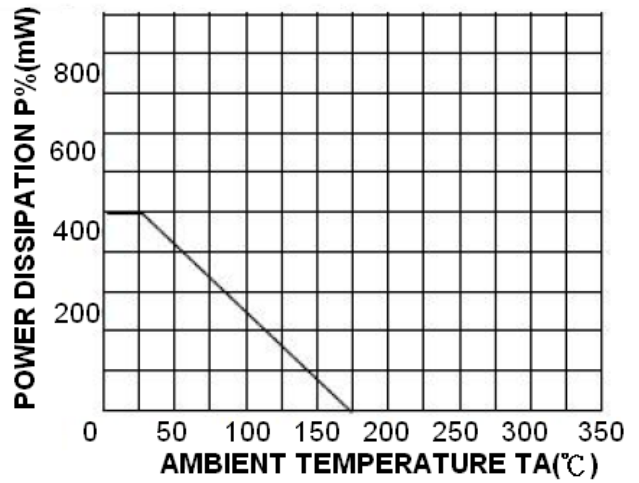


**TYPICAL CHARACTERISTICS**

1.  $V_z-I_z$



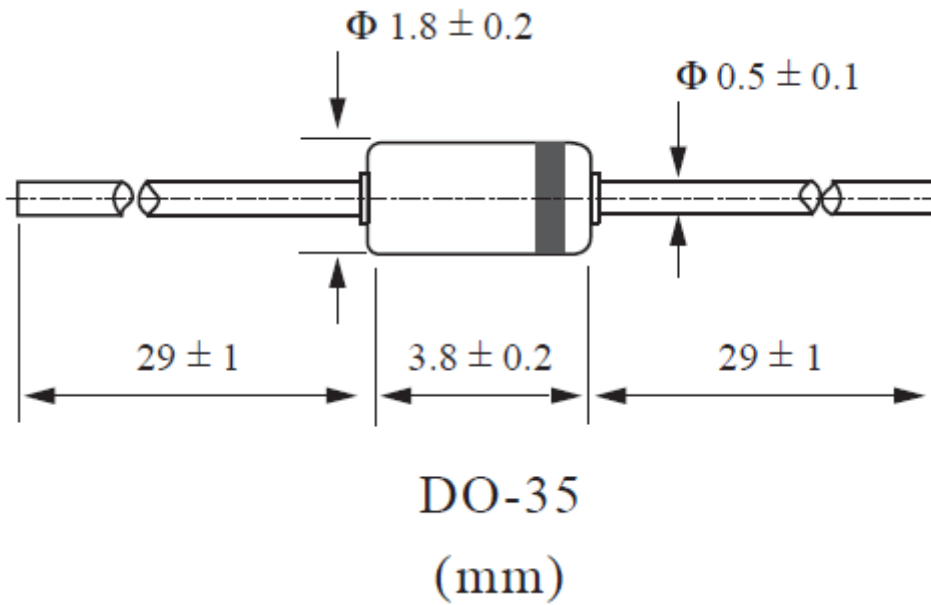
2.  $P-T_A$





## PACKAGE INFORMATION

Dimension in DO-35 Package (Unit: mm)





## IMPORTANT NOTICE

AiT Components (AiT) reserves the right to make changes to any its product, specifications, to discontinue any integrated circuit product or service without notice, and advises its customers to obtain the latest version of relevant information to verify, before placing orders, that the information being relied on is current.

AiT Components' integrated circuit products are not designed, intended, authorized, or warranted to be suitable for use in life support applications, devices or systems or other critical applications. Use of AiT products in such applications is understood to be fully at the risk of the customer. As used herein may involve potential risks of death, personal injury, or severe property, or environmental damage. In order to minimize risks associated with the customer's applications, the customer should provide adequate design and operating safeguards.

AiT Components assumes no liability to customer product design or application support. AiT warrants the performance of its products of the specifications applicable at the time of sale.