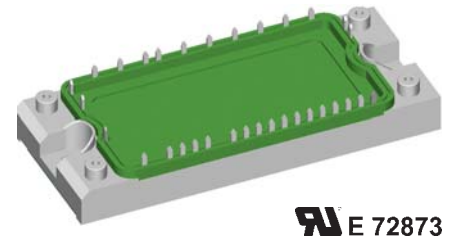
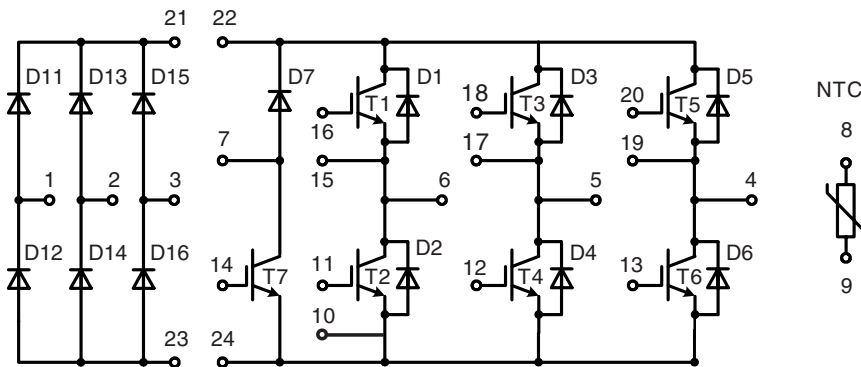


Converter - Brake - Inverter Module (CBI2) with Trench IGBT technology

Preliminary data



IXYS E 72873

Three Phase Rectifier	Brake Chopper	Three Phase Inverter
$V_{RRM} = 1600 \text{ V}$	$V_{CES} = 1200 \text{ V}$	$V_{CES} = 1200 \text{ V}$
$I_{FAVM} = 38 \text{ A}$	$I_{C25} = 30 \text{ A}$	$I_{C25} = 30 \text{ A}$
$I_{FSM} = 300 \text{ A}$	$V_{CE(sat)} = 1.7 \text{ V}$	$V_{CE(sat)} = 1.7 \text{ V}$

Input Rectifier Bridge D11 - D16

Symbol	Conditions	Maximum Ratings	
V_{RRM}		1600	V
I_{FAV}	$T_C = 80^\circ\text{C}$; sine 180°	25	A
I_{DAVM}	$T_C = 80^\circ\text{C}$; rectangular; $d = 1/3$; bridge	72	A
I_{FSM}	$T_{VJ} = 25^\circ\text{C}$; $t = 10 \text{ ms}$; sine 50 Hz	300	A
P_{tot}	$T_C = 25^\circ\text{C}$	100	W

Symbol	Conditions	Characteristic Values ($T_{VJ} = 25^\circ\text{C}$, unless otherwise specified)		
		min.	typ.	max.
V_F	$I_F = 15 \text{ A}$; $T_{VJ} = 25^\circ\text{C}$ $T_{VJ} = 125^\circ\text{C}$		1	1.2
			1	V
I_R	$V_R = V_{RRM}$; $T_{VJ} = 25^\circ\text{C}$ $T_{VJ} = 125^\circ\text{C}$		0.4	0.02
				mA
R_{thJC}	(per diode)			1.3
				K/W

Application: AC motor drives with

- Input from single or three phase grid
- Three phase synchronous or asynchronous motor
- electric braking operation

Features

- High level of integration - only one power semiconductor module required for the whole drive
- Inverter with Trench IGBTs
 - low saturation voltage
 - positive temperature coefficient
 - fast switching
 - short tail current
- Epitaxial free wheeling diodes with Hiperfast and soft reverse recovery
- Industry standard package with insulated copper base plate and soldering pins for PCB mounting
- Temperature sense included

Output Inverter T1 - T6

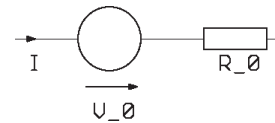
Symbol	Conditions	Maximum Ratings	
V_{CES}	$T_{VJ} = 25^{\circ}\text{C}$ to 150°C	1200	V
V_{GES}	Continuous	± 20	V
I_{C25}	$T_C = 25^{\circ}\text{C}$	30	A
I_{C80}	$T_C = 80^{\circ}\text{C}$	15	A
I_{CM}	$T_C = 80^{\circ}\text{C}$; $t_p = 1$ ms	30	A
P_{tot}	$T_C = 25^{\circ}\text{C}$	140	W

Symbol	Conditions	Characteristic Values			
		$(T_{VJ} = 25^{\circ}\text{C}$, unless otherwise specified)			
		min.	typ.	max.	
$V_{CE(sat)}$	$I_C = 15$ A; $V_{GE} = 15$ V; $T_{VJ} = 25^{\circ}\text{C}$ $T_{VJ} = 125^{\circ}\text{C}$		1.7 2.0	V V	
$V_{GE(th)}$	$I_C = 0.5$ mA; $V_{GE} = V_{CE}$	5	5.8	6.5 V	
I_{CES}	$V_{CE} = V_{CES}$; $V_{GE} = 0$ V; $T_{VJ} = 25^{\circ}\text{C}$ $T_{VJ} = 125^{\circ}\text{C}$		0.7	2.7 mA mA	
I_{GES}	$V_{CE} = 0$ V; $V_{GE} = \pm 20$ V			400 nA	
C_{ies}	$V_{CE} = 25$ V; $V_{GE} = 0$ V; $f = 1$ MHz		1.1	nF	
Q_{Gon}	$V_{CE} = 600$ V; $V_{GE} = 15$ V; $I_C = 15$ A		150	nC	
$t_{d(on)}$ t_r $t_{d(off)}$ t_t E_{on} E_{off}	Inductive load, $T_{VJ} = 125^{\circ}\text{C}$ $V_{CE} = 600$ V; $I_C = 15$ A $V_{GE} = \pm 15$ V; $R_G = 75$ Ω		90	ns	
				50	ns
				520	ns
				90	ns
				2.1	mJ
				1.5	mJ
RBSOA	$I_C = I_{CM}$; $V_{GE} = \pm 15$ V $R_G = 75$ Ω ; $T_{VJ} = 125^{\circ}\text{C}$			$V_{CEK} \leq V_{CES} - L_S di/dt$ V	
I_{SC} (SCSOA)	$V_{CE} = 720$ V; $V_{GE} = \pm 15$ V; $R_G = 75$ Ω ; $t_p \leq 10$ μs ; non-repetitive; $T_{VJ} = 125^{\circ}\text{C}$		60	A	
R_{thJC}	(per IGBT)			0.88 K/W	

Output Inverter D1 - D6

Symbol	Conditions	Maximum Ratings	
I_{F25}	$T_C = 25^{\circ}\text{C}$	25	A
I_{F80}	$T_C = 80^{\circ}\text{C}$	17	A

Symbol	Conditions	Characteristic Values			
		min.	typ.	max.	
V_F	$I_F = 15$ A; $V_{GE} = 0$ V; $T_{VJ} = 25^{\circ}\text{C}$ $T_{VJ} = 125^{\circ}\text{C}$		2.0 1.5	V V	
I_{RM} Q_{rr} t_{rr} E_{rec}	$I_F = tbd$ A; $di_F/dt = -tbd$ A/ μs ; $T_{VJ} = 125^{\circ}\text{C}$ $V_R = 600$ V; $V_{GE} = 0$ V		tbd	A	
			tbd	μC	
				tbd	ns
				tbd	mJ
R_{thJC}	(per diode)			2.1 K/W	

Equivalent Circuits for Simulation
Conduction

 IGBT (typ. at $V_{GE} = 15$ V; $T_J = 125^{\circ}\text{C}$)
 T1-T6

$$V_0 = 0.92 \text{ V}; R_0 = 72 \text{ m}\Omega$$

T7

$$V_0 = 0.92 \text{ V}; R_0 = 72 \text{ m}\Omega$$

 Diode (typ. at $T_J = 125^{\circ}\text{C}$)

D1-D6

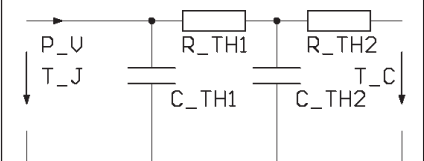
$$V_0 = tbd \text{ V}; R_0 = tbd \text{ m}\Omega$$

D7

$$V_0 = tbd \text{ V}; R_0 = tbd \text{ m}\Omega$$

D11-D16

$$V_0 = tbd \text{ V}; R_0 = tbd \text{ m}\Omega$$

Thermal Response


IGBT (typ.)

T1-T6

$$C_{th1} = tbd \text{ J/K}; R_{th1} = tbd \text{ K/W}$$

$$C_{th2} = tbd \text{ J/K}; R_{th2} = tbd \text{ K/W}$$

T7

$$C_{th1} = tbd \text{ J/K}; R_{th1} = tbd \text{ K/W}$$

$$C_{th2} = tbd \text{ J/K}; R_{th2} = tbd \text{ K/W}$$

Diode (typ.)

D1-D6

$$C_{th1} = tbd \text{ J/K}; R_{th1} = tbd \text{ K/W}$$

$$C_{th2} = tbd \text{ J/K}; R_{th2} = tbd \text{ K/W}$$

D7

$$C_{th1} = tbd \text{ J/K}; R_{th1} = tbd \text{ K/W}$$

$$C_{th2} = tbd \text{ J/K}; R_{th2} = tbd \text{ K/W}$$

D11-D16

$$C_{th1} = tbd \text{ J/K}; R_{th1} = tbd \text{ K/W}$$

$$C_{th2} = tbd \text{ J/K}; R_{th2} = tbd \text{ K/W}$$

Brake Chopper T7

Symbol	Conditions	Maximum Ratings	
V_{CES}	$T_{VJ} = 25^{\circ}\text{C}$ to 150°C	1200	V
V_{GES}	Continuous	± 20	V
I_{C25}	$T_C = 25^{\circ}\text{C}$	30	A
I_{C80}	$T_C = 80^{\circ}\text{C}$	20	A
I_{CM}	$T_C = 80^{\circ}\text{C}; t_p = 1 \text{ ms}$	40	A
P_{tot}	$T_C = 25^{\circ}\text{C}$	120	W

Symbol	Conditions	Characteristic Values ($T_{VJ} = 25^{\circ}\text{C}$, unless otherwise specified)		
		min.	typ.	max.
$V_{CE(sat)}$	$I_C = 15 \text{ A}; V_{GE} = 15 \text{ V}; T_{VJ} = 25^{\circ}\text{C}$ $T_{VJ} = 125^{\circ}\text{C}$	1.7	2.1	V
		2.0		V
$V_{GE(th)}$	$I_C = 0.5 \text{ mA}; V_{GE} = V_{CE}$	5	5.8	6.5 V
I_{CES}	$V_{CE} = V_{CES}; V_{GE} = 0 \text{ V}; T_{VJ} = 25^{\circ}\text{C}$ $T_{VJ} = 125^{\circ}\text{C}$	0.25		0.1 mA mA
I_{GES}	$V_{CE} = 0 \text{ V}; V_{GE} = \pm 20 \text{ V}$			400 nA
C_{ies}	$V_{CE} = 25 \text{ V}; V_{GE} = 0 \text{ V}; f = 1 \text{ MHz}$	1.1		nF
Q_{Gon}	$V_{CE} = 600 \text{ V}; V_{GE} = 15 \text{ V}; I_C = 15 \text{ A}$	150		nC
$t_{d(on)}$ t_r $t_{d(off)}$ t_f E_{off}	Inductive load, $T_{VJ} = 125^{\circ}\text{C}$ $V_{CE} = 600 \text{ V}; I_C = 15 \text{ A}$ $V_{GE} = \pm 15 \text{ V}; R_G = 75 \Omega$		90	ns
			50	ns
			520	ns
			90	ns
			1.5	mJ
RBSOA	$I_C = I_{CM}; V_{GE} = \pm 15 \text{ V}$ $R_G = 75 \Omega; T_{VJ} = 125^{\circ}\text{C}$	$V_{CEK} \leq V_{CES} - L_S di/dt$		V
I_{SC} (SCSOA)	$V_{CE} = 720 \text{ V}; V_{GE} = \pm 15 \text{ V}; R_G = 75 \Omega$ $t_p \leq 10 \mu\text{s}; \text{non-repetitive}; T_{VJ} = 125^{\circ}\text{C}$	60		A
R_{thJC}				1.05 KW

Brake Chopper D7

Symbol	Conditions	Maximum Ratings	
V_{RRM}	$T_{VJ} = 25^{\circ}\text{C}$ to 150°C	1200	V
I_{F25}	$T_C = 25^{\circ}\text{C}$	16	A
I_{F80}	$T_C = 80^{\circ}\text{C}$	11	A

Symbol	Conditions	Characteristic Values		
		min.	typ.	max.
V_F	$I_F = 15 \text{ A}; T_{VJ} = 25^{\circ}\text{C}$ $T_{VJ} = 125^{\circ}\text{C}$	3.0	3.3	V
		2.6		V
I_R	$V_R = V_{RRM}; T_{VJ} = 25^{\circ}\text{C}$ $T_{VJ} = 125^{\circ}\text{C}$	0.07	0.06	mA mA
R_{thJC}				3.2 KW

Temperature Sensor NTC

Symbol	Conditions	Characteristic Values		
		min.	typ.	max.
R_{25}	$T = 25^{\circ}\text{C}$	4.75	5.0	5.25 k Ω
$B_{25/50}$			3375	K

Module

Symbol	Conditions	Maximum Ratings	
T_{VJ}	operating	-40...+125	$^{\circ}\text{C}$
T_{JM}		150	$^{\circ}\text{C}$
T_{stg}		-40...+125	$^{\circ}\text{C}$
V_{ISOL}	$I_{ISOL} \leq 1 \text{ mA}; 50/60 \text{ Hz}$	2500	V~
M_d	Mounting torque (M5)	2.7 - 3.3	Nm

Symbol	Conditions	Characteristic Values		
		min.	typ.	max.
$R_{pin-chip}$			5	m Ω
d_s	Creepage distance on surface	6		mm
d_A	Strike distance in air	6		mm
R_{thCH}	with heatsink compound		0.02	K/W
Weight			180	g

Dimensions in mm (1 mm = 0.0394")

