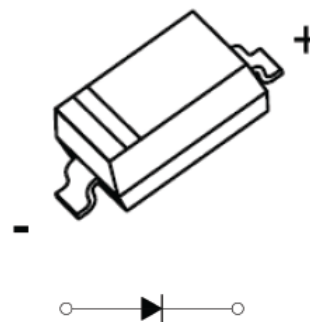


FEATURE

Lead Free Finish/RoHS Compliant
 Extremely Low Thermal Resistance
 For Surface Mount Application and High Current Capability

Schottky Barrier Diode

SOD-123



MARKING:

MBR0520:R2	MBR0530:R3	MBR0540:R4	MBR0560:R6	MBR0580:R8

The marking bar indicates the cathode

Maximum Ratings @Ta=25°C

Parameter	Symbol	MUR0520	MUR0530	MUR0540	MUR0560	MUR0580	UNITS
Maximum recurrent peak reverse voltage	VRRM	20	30	40	60	80	V
Maximum RMS voltage	VRMS	14	21	28	42	56	
Mean rectifying current	I _o	0.5					A
Non-repetitive Peak forward surge current @t=8.3ms	I _{FSM}	5.5					A
Power Dissipation	P _D	410					mW
Thermal Resistance Junction to Ambient	R _{θJA}	244					°C/W
Junction temperature	T _j	125					°C
Storage temperature	T _{stg}	-55~+150					°C

Kingtronics®

MUR0520 THRU MUR0580

ELECTRICAL CHARACTERISTICS

Ta =25°C unless otherwise specified

Parameter	Symbol	Min.	Typ.	Max.	Unit	Conditions
Forward voltage MBR0520 MBR0530 MBR0540 MBR0560 MBR0580	V _F			0.45 0.55 0.55 0.70 0.80	V	I _F =500mA
Reverse current MBR0520 MBR0530 MBR0540 MBR0560 MBR0580	I _R			80	μA	V _R =20V V _R =30V V _R =40V V _R =60V V _R =80V
Capacitance between terminals	C _T		30		pF	V _R =4V, f=1MHZ

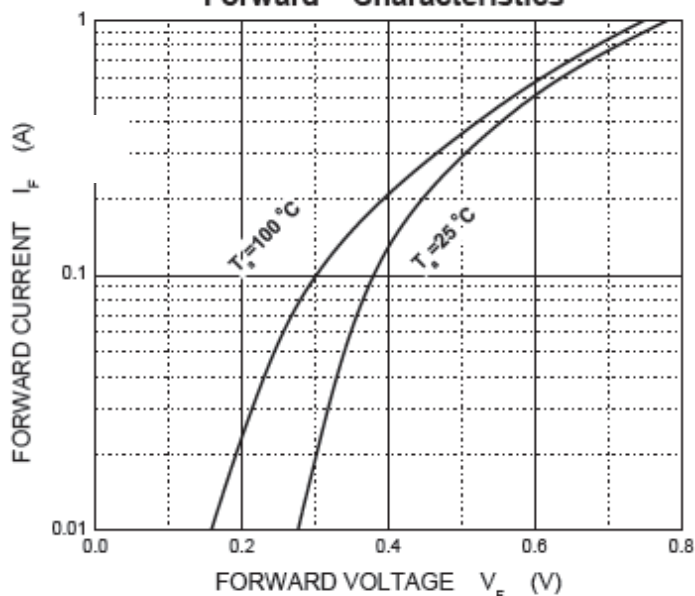
Kingtronics® International CompanyWebsite: www.kingtronics.com Email: info@kingtronics.com Tel: (852) 8106 7033 Fax: (852) 8106 7099

Kingtronics®

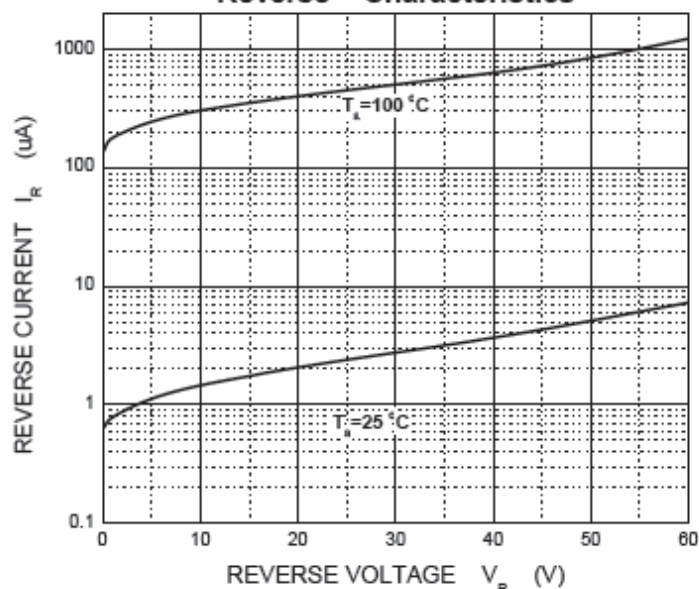
MUR0520 THRU MUR0580

Typical Characteristics

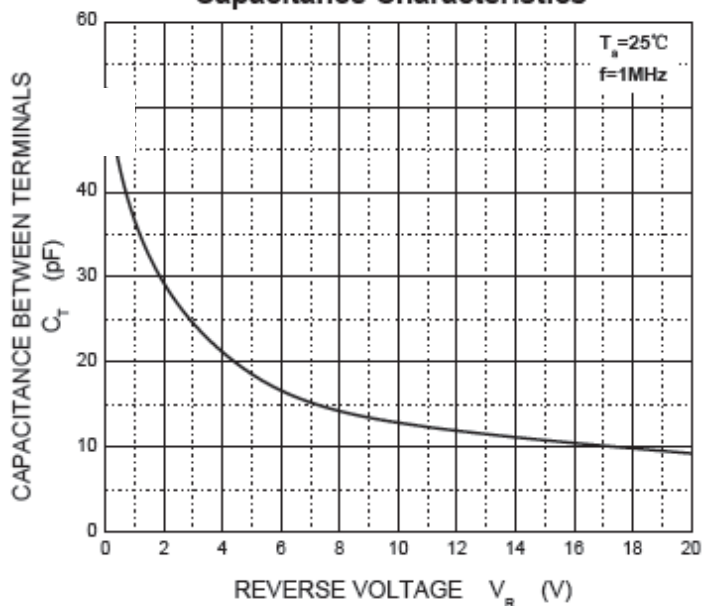
Forward Characteristics



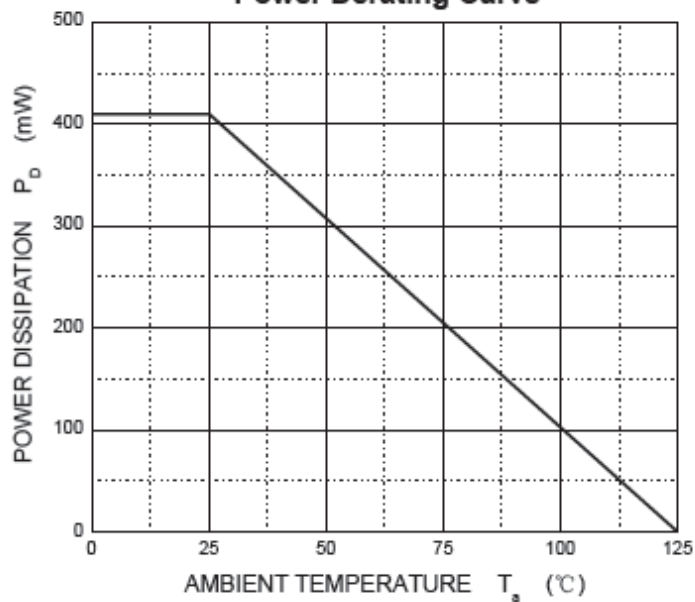
Reverse Characteristics



Capacitance Characteristics



Power Derating Curve



Kingtronics® International Company

Website: www.kingtronics.com

Email: info@kingtronics.com

Tel: (852) 8106 7033

Fax: (852) 8106 7099