



**SUPER FAST RECTIFIERS**

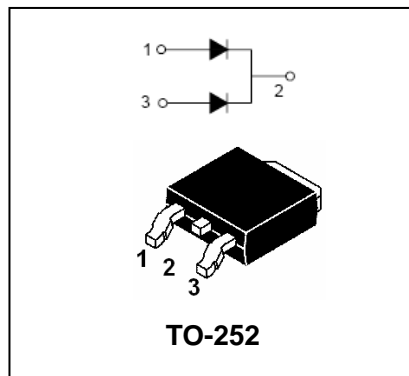
**MUR1620DC-MUR1660DC**

**FEATURES**

- Low cost.
- Diffused junction.
- Low forward voltage drop.
- High currnt capability.
- Easily cleaned with Alcohol,Isopropanol and similar solvents.
- The plastic material carries U/L recognition 94V-0.



Lead-free



**MAXIMUM RATING** operating temperature range applies unless otherwise specified

Symbol	Parameter	MUR 1620DC	MUR 1640DC	MUR 1660DC	Unit
V <sub>RRM</sub>	Recurrent Peak Reverse Voltage	200	400	600	V
V <sub>RMS</sub>	RMS Voltage	140	280	420	V
V <sub>DC</sub>	DC Blocking Voltage	200	400	600	V
I <sub>F(AV)</sub>	Average Forward Rectified Current @T <sub>A</sub> =100°C	per leg total device		8.0 10	A
I <sub>FSM</sub>	Peak Forward SurgeCurrent 8.3ms Single Half Sine-wave Superimosed on Rated Load			100	A
R <sub>θJA</sub>	Typical thermal resistance	3.0	2.0		°C/W
T <sub>j</sub> T <sub>stg</sub>	Operating Junction and Storage Temperature Range	-55 to +175			°C

**ELECTRICAL CHARACTERISTICS**@ Ta=25°C unless otherwise specified

Parameter	Symbol	Test conditions	MAX			UNIT
			MUR 1620DC	MUR 1640DC	MUR 1660DC	
Forward Voltage	V <sub>F</sub> (Note1)	I <sub>F</sub> =8A, T <sub>A</sub> =25°C	0.975	1.3	1.5	V
		I <sub>F</sub> =8A, T <sub>A</sub> =150°C	0.895	1.0	1.2	
Reverse Current	I <sub>R</sub>	V <sub>R</sub> =V <sub>RRM</sub> , T <sub>A</sub> =25°C	5.0	10		μA
		V <sub>R</sub> =V <sub>RRM</sub> , T <sub>A</sub> =150°C	250	500		
Reverse Recover Time	t <sub>rr</sub>	I <sub>F</sub> =0.5A, I <sub>R</sub> =1A, I <sub>rr</sub> =0.25A	25	50		ns

Note:1.Pulse test:pulse width=300us,duty cycle≤2.0%.

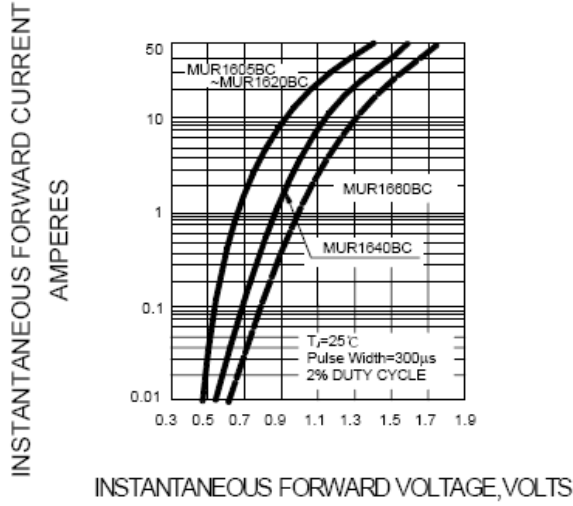


**SUPER FAST RECTIFIERS**

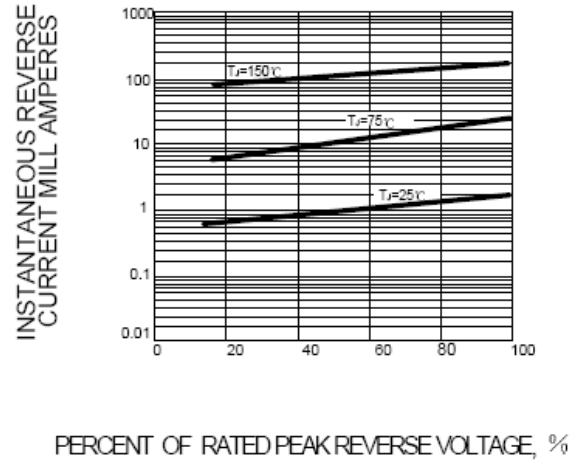
**MUR1620DC-MUR1660DC**

TYPICAL CHARACTERISTICS @ Ta=25°C unless otherwise specified

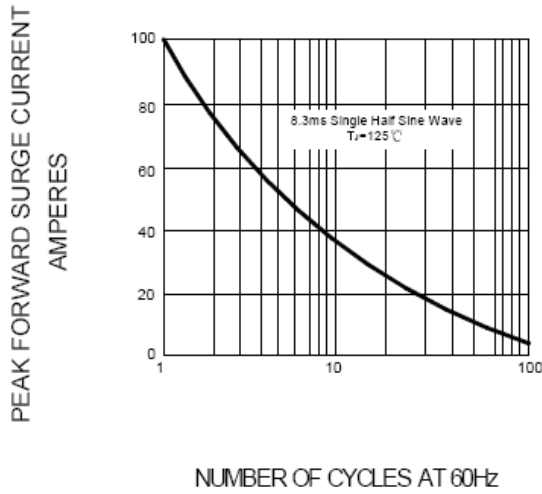
**FIG.1 –TYPICAL FORWARD CHARACTERISTIC**



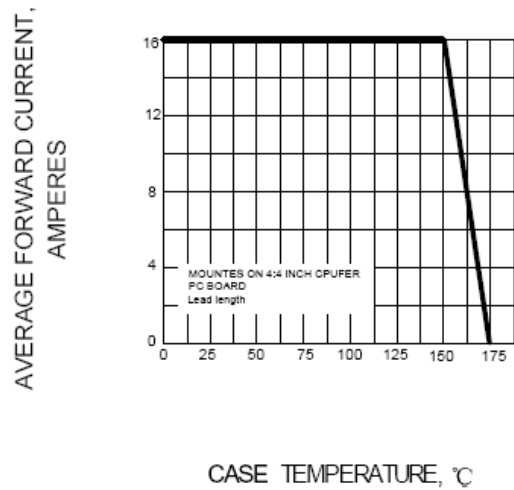
**FIG2 –TYPICAL REVERSE CHARACTERISTICS**



**FIG.3 – PEAK FORWARD SURGE CURRENT**



**FIG.4 -- FORWARD DERATING CURVE**





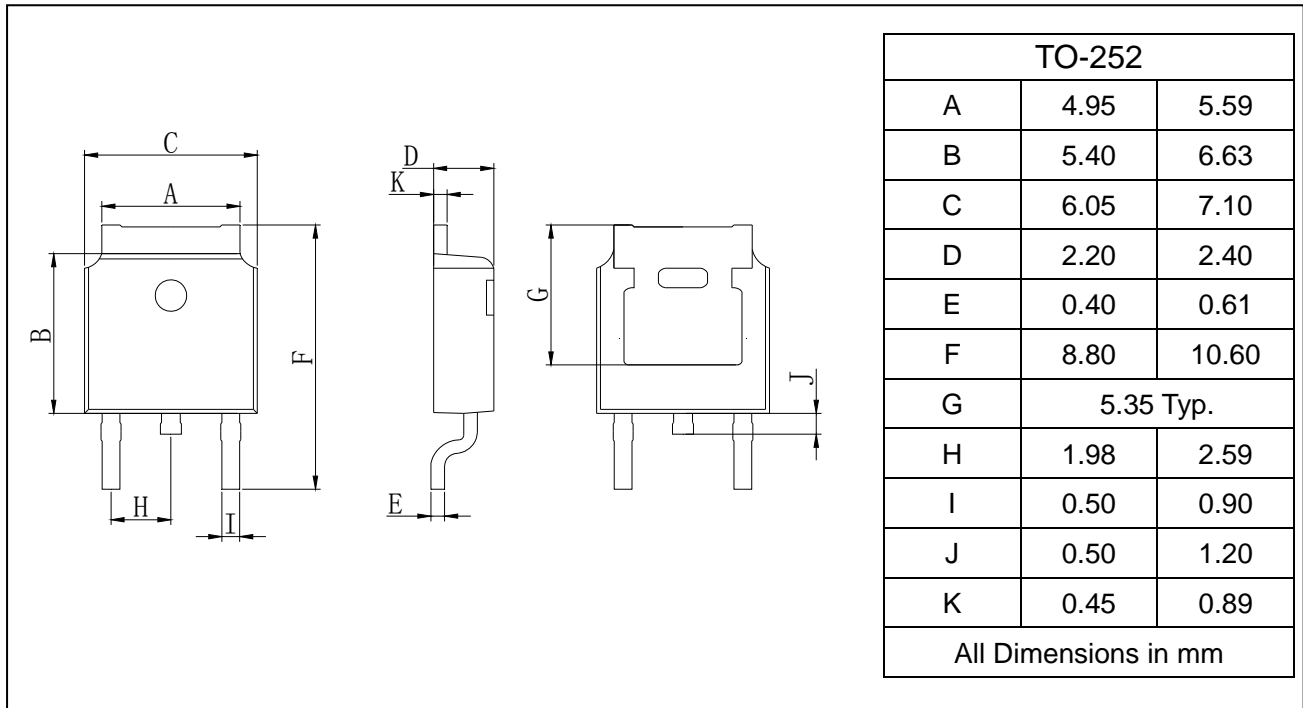
**SUPER FAST RECTIFIERS**

**MUR1620DC-MUR1660DC**

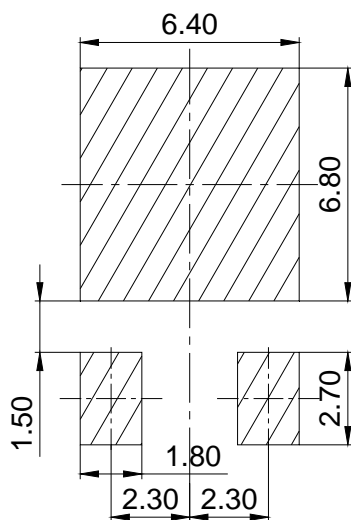
**PACKAGE OUTLINE**

Plastic surface mounted package

TO-252



**SOLDERING FOOTPRINT**



Unit:mm



---

**SUPER FAST RECTIFIERS**

**MUR1620DC-MUR1660DC**

---

**PACKAGE INFORMATION**

Device	Package	Shipping
MUR1620DC-MUR1660DC	TO-252	80PCS/Tube
		2500PCS/Tape&Reel