

MURB1010CT THRU MURB1060CT

10 Amp Super Fast Recovery Rectifier 100 to 600 Volts

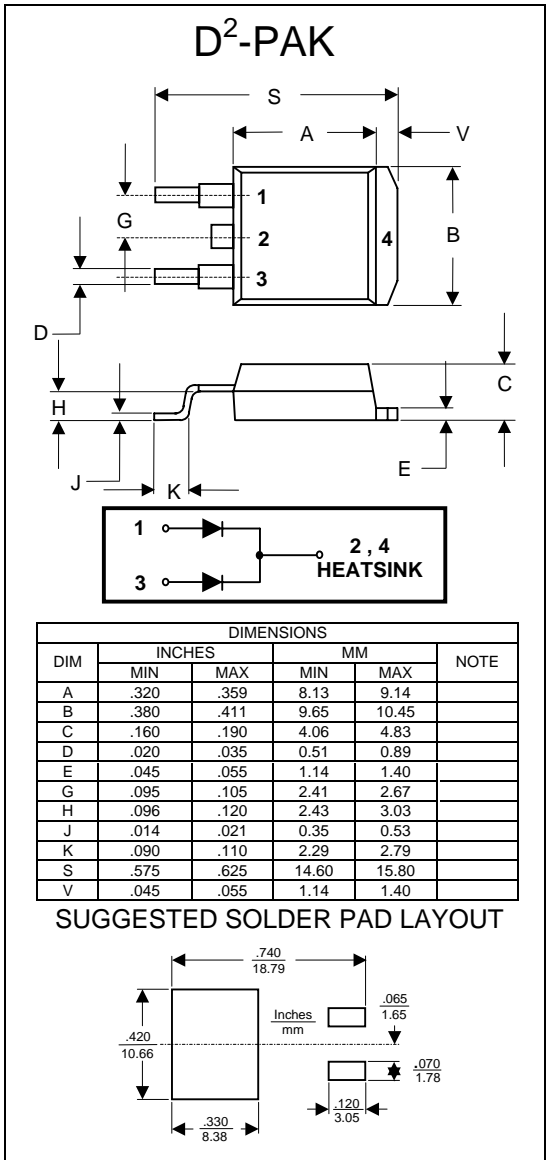
Features

- High Surge Current Capability
- Low Power Loss, High Efficiency
- Low Reverse Leakage Current
- Super Fast Switching Speed For High Efficiency

Maximum Ratings

- Operating Temperature: -55°C to +150°C
- Storage Temperature: -55°C to +150°C

MCC Catalog Number	Maximum Recurrent Peak Reverse Voltage	Maximum RMS Voltage	Maximum DC Blocking Voltage
MURB1010CT	100V	70V	100V
MURB1020CT	200V	140V	200V
MURB1040CT	400V	280V	400V
MURB1060CT	600V	420V	600V



Electrical Characteristics @ 25°C Unless Otherwise Specified

Average Forward Current	$I_{F(AV)}$	10 A	$T_C = 115^\circ\text{C}$
Peak Forward Surge Current	I_{FSM}	100A	8.3ms, half sine
Maximum Forward Voltage	V_F	0.95V 1.30V 1.50V	$I_{FM} = \dot{I}$ A per leg $T_A = 25^\circ\text{C}^*$
Maximum DC Reverse Current At Rated DC Blocking Voltage	I_R	10.0 μA	$T_C = 25^\circ\text{C}$
Maximum Reverse Recovery Time	T_{rr}	35ns 50ns	$I_F=0.5\text{A}, I_R=1.0\text{A}, I_{rr}=0.25\text{A}$
Typical Thermal Resistance	R_{th-jc}	3.0°C/W	Typical Resistance Junction to CASE

*Pulse Test: Pulse Width 300 μsec , Duty Cycle 1%

RATING AND CHARACTERISTIC CUEVES

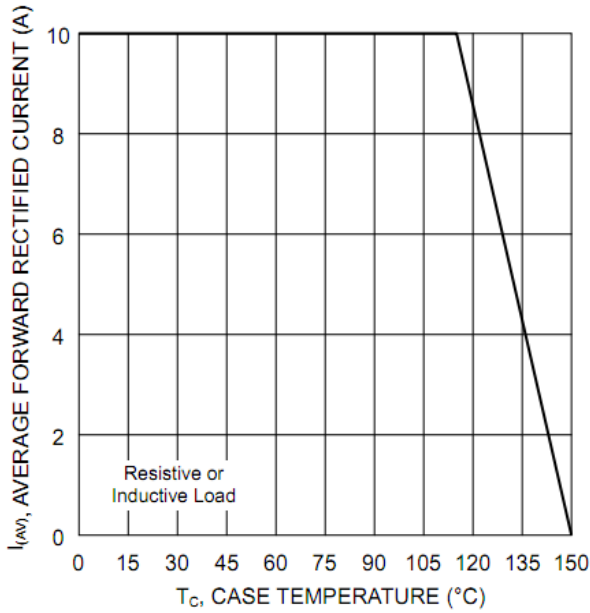


Fig-1
FORWARD CURRENT DERATING CURVE

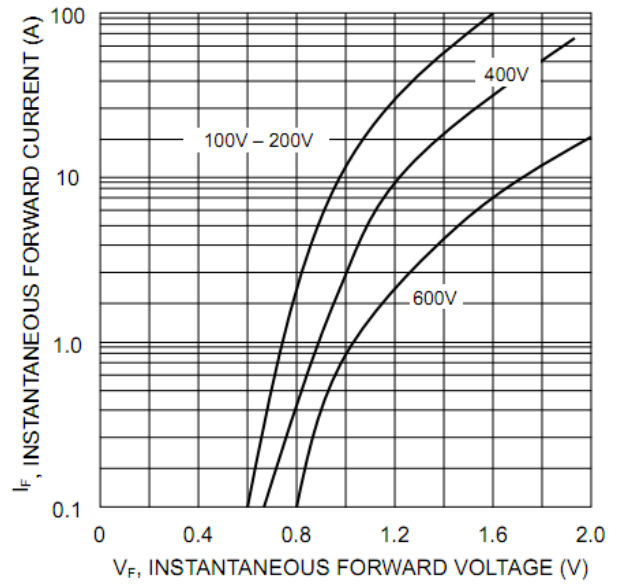


Fig-2
TYPICAL INSTANTANEOUS FORWARD CHARACTERISTIC

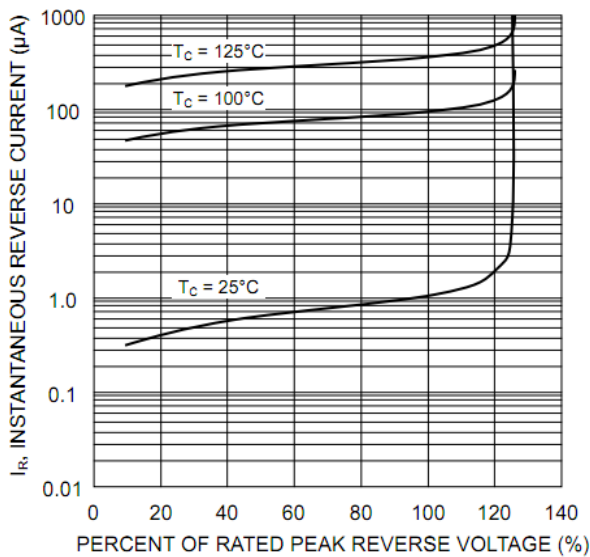


Fig-3
TYPICAL REVERSE CHARACTERISTICS

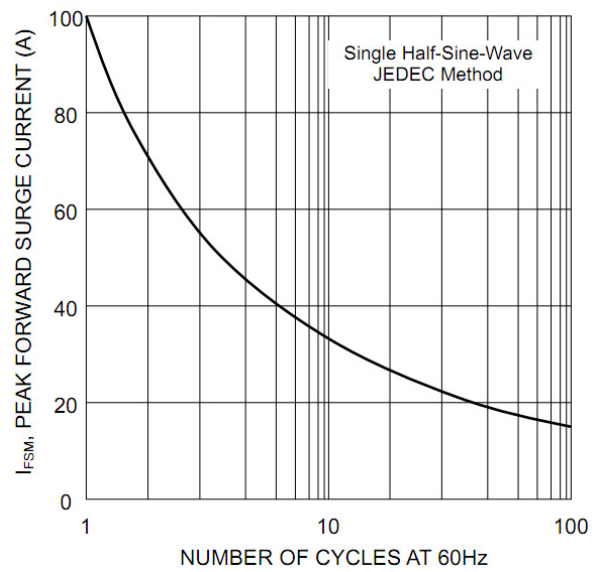


Fig-4
MAXIMUM NON-REPETITIVE SURGE CURRENT



Micro Commercial Components

Ordering Information :

Device	Packing
Part Number-TP	Tape&Reel: 800pcs/Reel
Part Number-BP	Tube: 5Kpcs/Ctn

Note : Adding "-HF" suffix for halogen free, eg. Part Number-TP-HF

*****IMPORTANT NOTICE*****

Micro Commercial Components Corp. reserves the right to make changes without further notice to any product herein to make corrections, modifications , enhancements , improvements , or other changes . **Micro Commercial Components Corp .** does not assume any liability arising out of the application or use of any product described herein; neither does it convey any license under its patent rights ,nor the rights of others . The user of products in such applications shall assume all risks of such use and will agree to hold **Micro Commercial Components Corp .** and all the companies whose products are represented on our website, harmless against all damages.

*****LIFE SUPPORT*****

MCC's products are not authorized for use as critical components in life support devices or systems without the express written approval of Micro Commercial Components Corporation.

*****CUSTOMER AWARENESS*****

Counterfeiting of semiconductor parts is a growing problem in the industry. Micro Commercial Components (MCC) is taking strong measures to protect ourselves and our customers from the proliferation of counterfeit parts. MCC strongly encourages customers to purchase MCC parts either directly from MCC or from Authorized MCC Distributors who are listed by country on our web page cited below. Products customers buy either from MCC directly or from Authorized MCC Distributors are genuine parts, have full traceability, meet MCC's quality standards for handling and storage. **MCC will not provide any warranty coverage or other assistance for parts bought from Unauthorized Sources.** MCC is committed to combat this global problem and encourage our customers to do their part in stopping this practice by buying direct or from authorized distributors.