



SUPER FAST DIODES MODULE TYPE 200A

Features

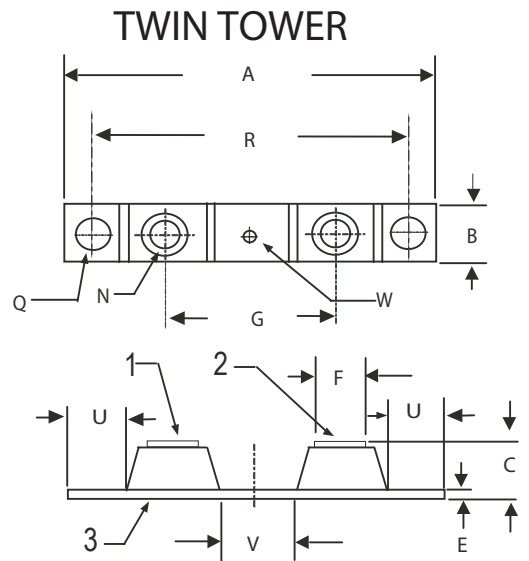
High Surge Capability  
Types Up to 600V  $V_{RRM}$

200Amp Rectifier  
50-600 Volts

Maximum Ratings

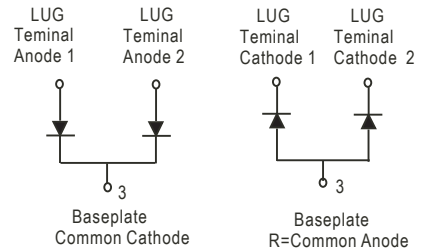
Operating Temperature: -40 °C to +175 °C  
Storage Temperature: -40 °C to +175 °C

Part Number	Maximum Recurrent Peak Reverse Voltage	Maximum RMS Voltage	Maximum DC Blocking Voltage
MURL20005CT(R)	50V	35V	50V
MURL20010CT(R)	100V	70V	100V
MURL20020CT(R)	200V	140V	200V
MURL20040CT(R)	400V	280V	400V
MURL20060CT(R)	600V	420V	600V



Electrical Characteristics @ 25 °C Unless Otherwise Specified

Average Forward Current Per Pkg	$I_{F(AV)}$	200 A	$T_C = 140\text{ }^\circ\text{C}$
Peak Forward Surge Current Per leg	$I_{FSM}$	800A	8.3ms, half sine
Maximum Instantaneous Forward Voltage * Per leg 20005~20040 20060	$V_F$	< 1.25V < 1.6V	$I_{FM} = 100A;$ $T_J = 25\text{ }^\circ\text{C}$
Maximum Instantaneous Reverse Current At Rated DC Blocking Per leg	$I_R$	15 uA 500uA	$T_J = 25\text{ }^\circ\text{C}$ $T_J = 125\text{ }^\circ\text{C}$
Maximum Reverse Recovery Time Per leg 20005~20020 20040 20060	$t_{rr}$	75 ns 85 ns 100 ns	$I_F = 0.5A, I_R = 1.0A,$ $I_{RR} = 0.25A$
Thermal Resistance, Junction to Case Per leg	$R_{\theta JC}$	0.45	$^\circ\text{C/W}$



DIM	DIMENSIONS				NOTE
	INCHES		MM		
	MIN	MAX	MIN	MAX	
A	----	3.630	----	92.20	
B	0.700	0.800	17.78	20.32	
C	----	0.650	----	16.51	
E	0.120	0.130	3.05	3.30	
F	0.490	0.510	12.45	12.95	
G	1.379	BSC	35.02	BSC	
H	----	----	----	----	
N	1/4 -20 UNC FULL				
Q	0.275	0.290	6.99	7.37	2 PL
R	3.150	BSC	80.01	BSC	
U	0.600	----	15.24	----	
V	0.312	0.370	7.92	9.40	
W	0.180	0.195	4.57	4.95	

\*Pulse Test: Pulse Width 300 usec, Duty Cycle 2%

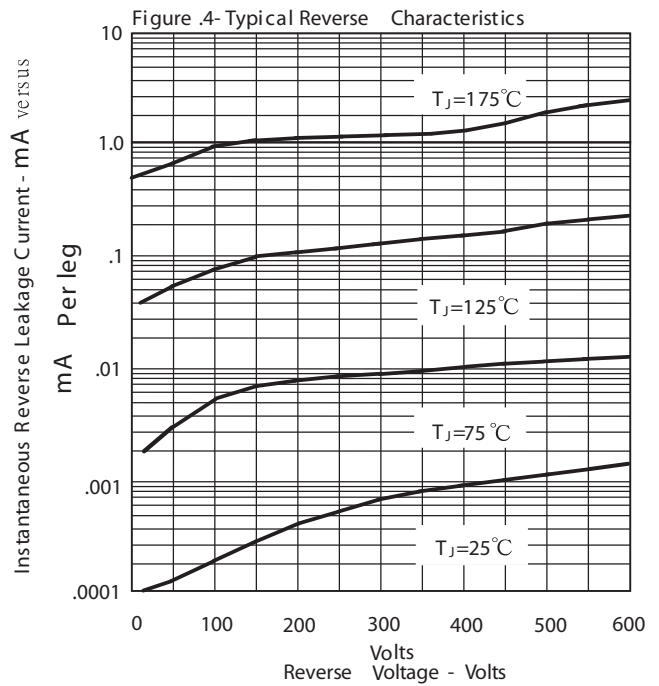
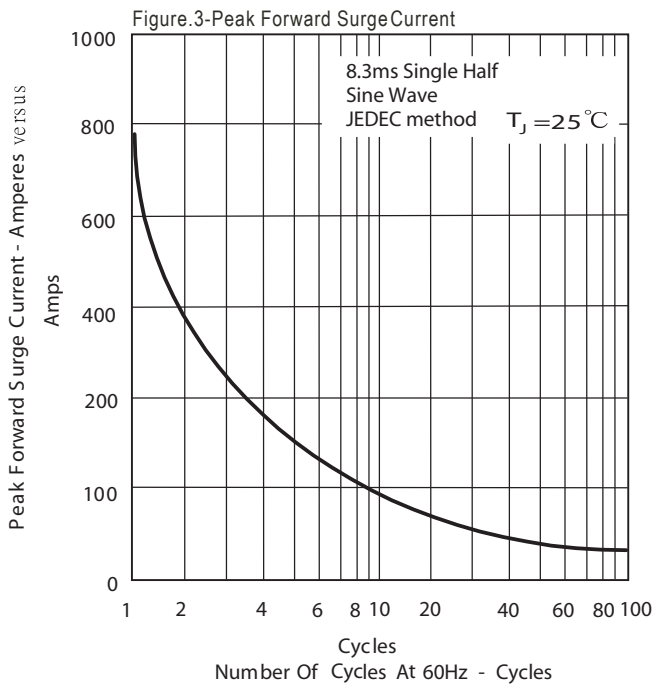
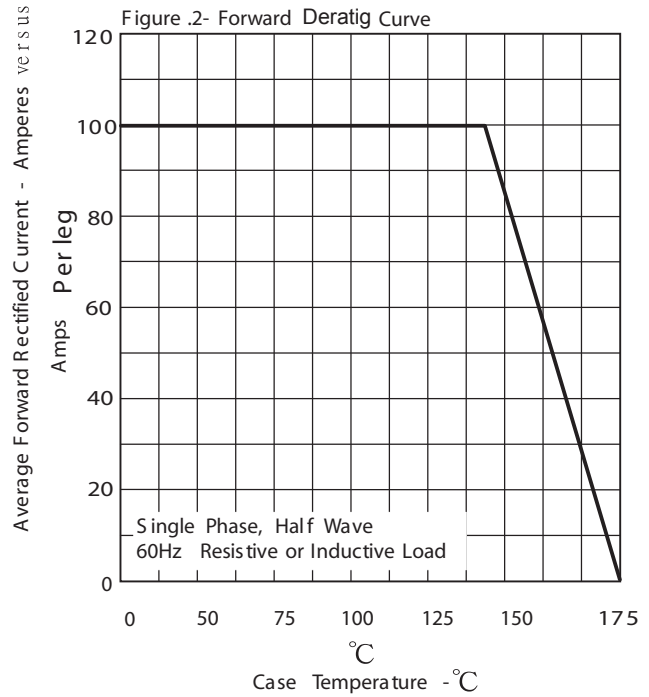
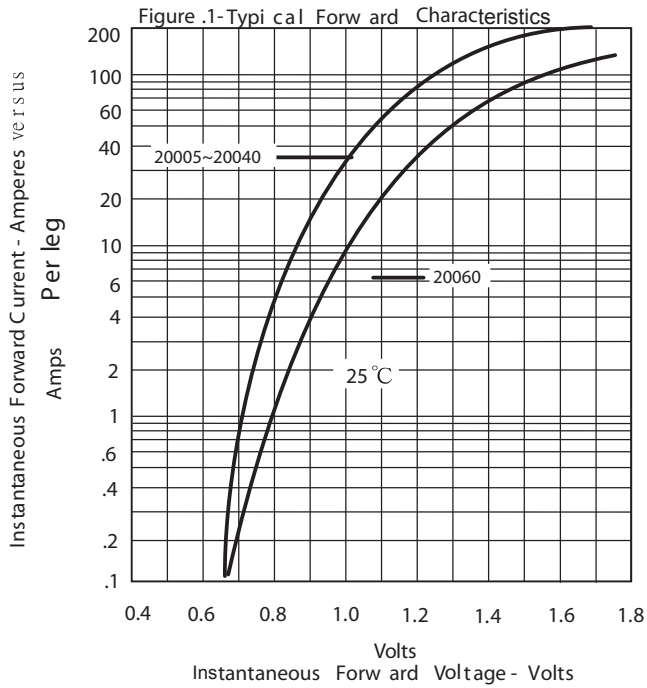




Figure .5-GR1 Test Circuit

