

# Abrupt Tuning Varactor

## MV2115 Series



### DESCRIPTION

The MV2115 abrupt tuning varactor provides an extremely high Q and low series resistance. It is packaged in the TO-92 package.



TO-92



### Features

- High Q

### Maximum Ratings

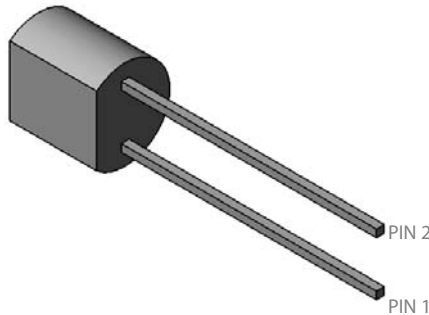
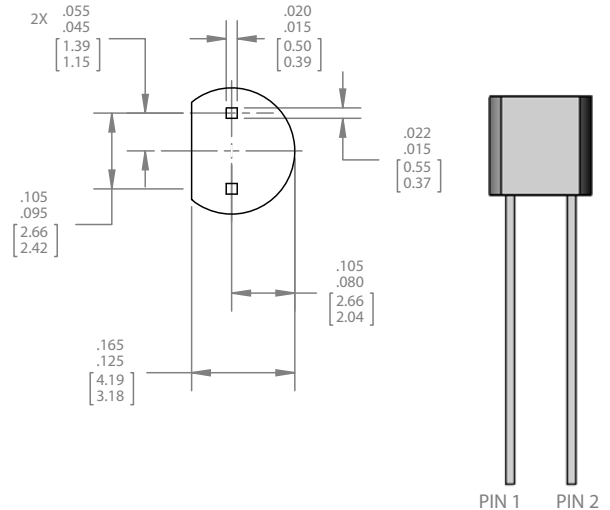
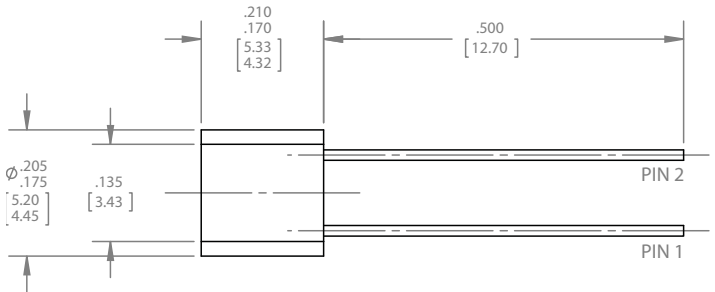
Rating	Limits	Units
$V_R$	$V_{BR}$	V
Operating Temperature, $T_{OPR}$	-55 to +125	°C
Storage Temperature, $T_{STG}$	-65 to +150	°C
$T_{die}$ attach	<400 °C for 5 sec	
Electrostatic Discharge (ESD)	Class 0 (Human Body Model)	

### Electrical Characteristics $T_A = +25\text{ °C}$

Symbol	Test Conditions		MV2115			Units
			minimum	typical	maximum	
$V_{BR}$	$I_R = -10\ \mu\text{A}$		30	--	--	V
$I_R$	$V_R = -25\ \text{V}$		--	--	100	nA
$C_T$	$V_R = 100\ \text{V}$	$F = 1\ \text{MHz}$	90	100	110	pF
$C_R$	$C_{T2V}/C_{T30V}$	$F = 1\ \text{MHz}$	2.6	--	--	
Q	$V_R = -4\ \text{V}$	$F = 50\ \text{MHz}$	100	--	--	



## Outline Drawing (TO-92)



NOTE:  
1. DIMENSIONS IN PARENTHESIS ARE IN MILLIMETERS.

## Pinout

Pin	Diode Terminal
1	Anode
2	Cathode

## Aeroflex / Metelics, Inc.

54 Grenier Field Road, Londonderry, NH 03053  
Tel: (603) 641-3800  
Sales: (888) 641-SEMI (7364)  
Fax: (603)-641-3500

975 Stewart Drive, Sunnyvale, CA 94085  
Tel: (408) 737-8181  
Fax: (408) 733-7645

[www.aeroflex.com/metelics](http://www.aeroflex.com/metelics)

[metelics-sales@aeroflex.com](mailto:metelics-sales@aeroflex.com)

Aeroflex / Metelics, Inc. reserves the right to make changes to any products and services herein at any time without notice. Consult Aeroflex or an authorized sales representative to verify that the information in this data sheet is current before using this product. Aeroflex does not assume any responsibility or liability arising out of the application or use of any product or service described herein, except as expressly agreed to in writing by Aeroflex; nor does the purchase, lease, or use of a product or service from Aeroflex convey a license under any patent rights, copyrights, trademark rights, or any other of the intellectual rights of Aeroflex or of third parties.

Copyright 2012 Aeroflex / Metelics. All rights reserved.

## ISO 9001:2008 certified companies



Our passion for performance is defined by three attributes represented by these three icons: solution-minded, performance-driven and customer-focused.