

MVS460

CASE 182-01, STYLE 1
TO-92 (TO-226AA)
TUNING DIODE REGULATOR

MAXIMUM RATINGS

Rating	Symbol	Value	Unit
Operating Current for 33 Vz	I _Z	18	mA
Power Dissipation @ T _A = 25°C	P _D	625	mW
Operating Junction Temperature	T _J	150	°C
Storage Temperature Range	T _{stg}	-40 to +150	°C

THERMAL CHARACTERISTICS

Characteristic	Symbol	Max	Unit
Thermal Resistance, Junction to Case	R _{θJC}	0.083	°C/mW
Thermal Resistance, Junction to Ambient	R _{θJA}	0.200	°C/mW

ELECTRICAL CHARACTERISTICS (T_A = 25°C unless otherwise noted.)

Characteristic	Symbol	Min	Typ	Max	Unit
Operating Voltage (I _{ZT} = 5.0 mA)	V _Z	31	33	35	Volts
Operating Voltage Change (I _{ZT} = 5.0 mA, 0 to 70°C)	$\frac{\Delta V_Z}{\Delta T}$	-3.1	-2.3	+1.55	mV/°C
Operating Dynamic Impedance (I _Z = 5.0 mA)	Z _Z	—	9.0	25	Ohms

FIGURE 1 - POWER DERATING

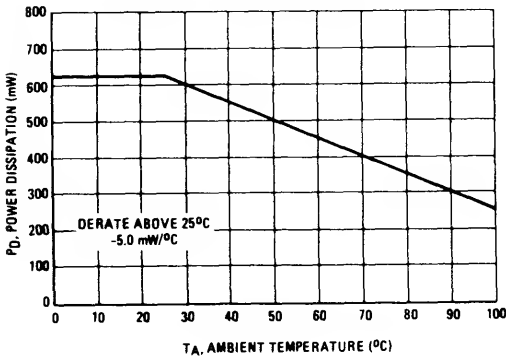
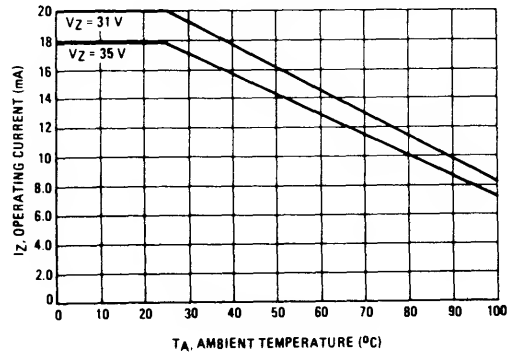


FIGURE 2 - CURRENT DERATING



2

FIGURE 3 - OPERATING VOLTAGE CHANGE

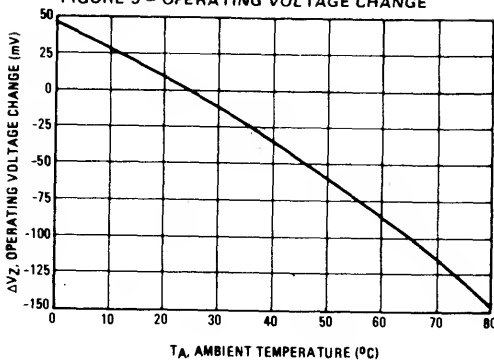


FIGURE 4 - OPERATING VOLTAGE CHANGE TEST CIRCUIT

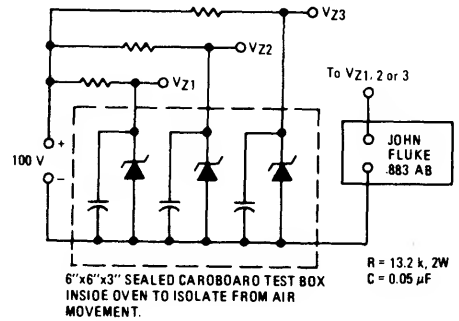


FIGURE 5 - OPERATING IMPEDANCE TEST CIRCUIT

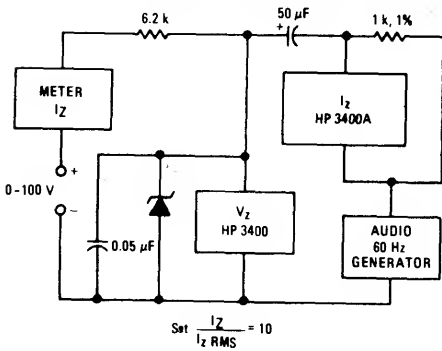


FIGURE 6 - OPERATING IMPEDANCE

