

MW412 VCOs FOR EGSM APPLICATIONS

SPECIFICATIONS

Frequency Range:
668 MHz @ 1V
703 MHz @ 4V

Supply Voltage:
+5V

Supply Current:
<20 mA

Tuning Voltage (VT):
1 to 4 V

Output Power:
7±2 dBm

Tuning Sensitivity:
<1.5:1 MHz/V

Phase Noise:
@200 kHz: -125 dBc/Hz
@400 kHz: -135 dBc/Hz

Harmonic Suppression:
-20 dBc

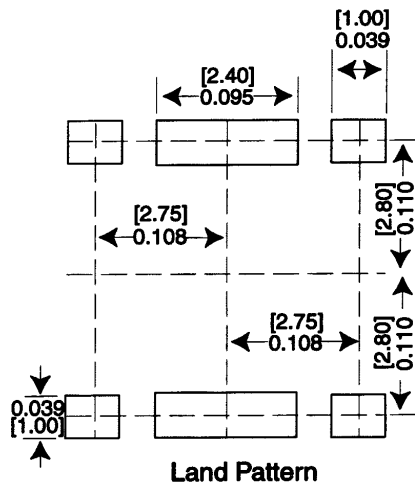
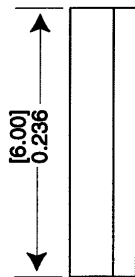
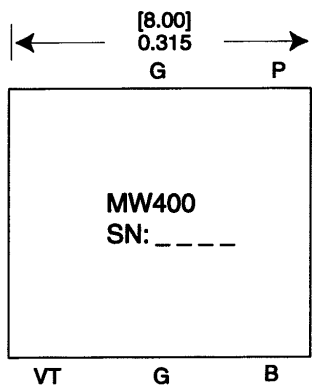
Pushing:
<1 MHz/V

Pulling:
<1 MHz

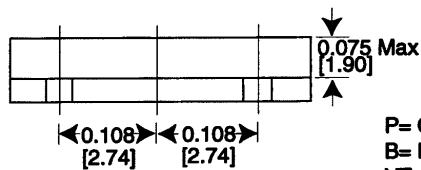
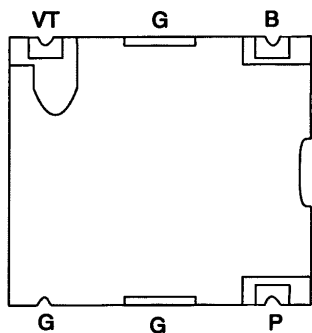
Operating Temperature:
-40 to +85° C



MW400 VCO PACKAGE OUTLINE



Land Pattern



P= Output
B= Power Supply
VT= Tuning Voltage
G= Ground

NOTE:

- There is no mark of terminals on the product.
- Unit: mm

MICRONETICS
WIRELESS