

MX611

Preliminary
December 1989

MX·COM, INC.

DATA BULLETIN

Subscriber Pulse Metering (SPM) Detector

Features

- Meets 12kHz and 16kHz SPM Specifications
- Crystal-controlled 5 Volt CMOS
- SPM Tone Follower and Packet Detection modes
- Programmable Threshold Detect Level

Applications

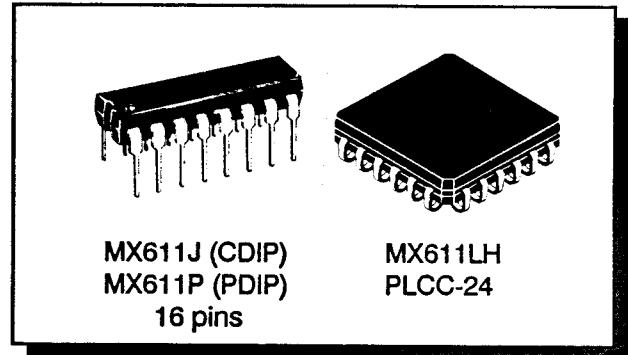
- Smartphones
- PABX Systems
- Payphones

Description

The MX611 is a single-chip, low-power CMOS tone detector designed for use in both PABX and general payphone applications for Subscriber Private Metering (SPM). An external 4.433619MHz crystal accurately defines the Decode and Not-Decode band edges

The MX611 is compatible with 12 and 16kHz SPM systems, and has two pin-selectable operation modes:

1) Tone Follower Mode: A logic "0" is output whenever a tone of the correct frequency and length is detected.



2) SPM Packet Mode: An output is obtained only when both the mark and space timing criteria of an input SPM pulse have been fulfilled.

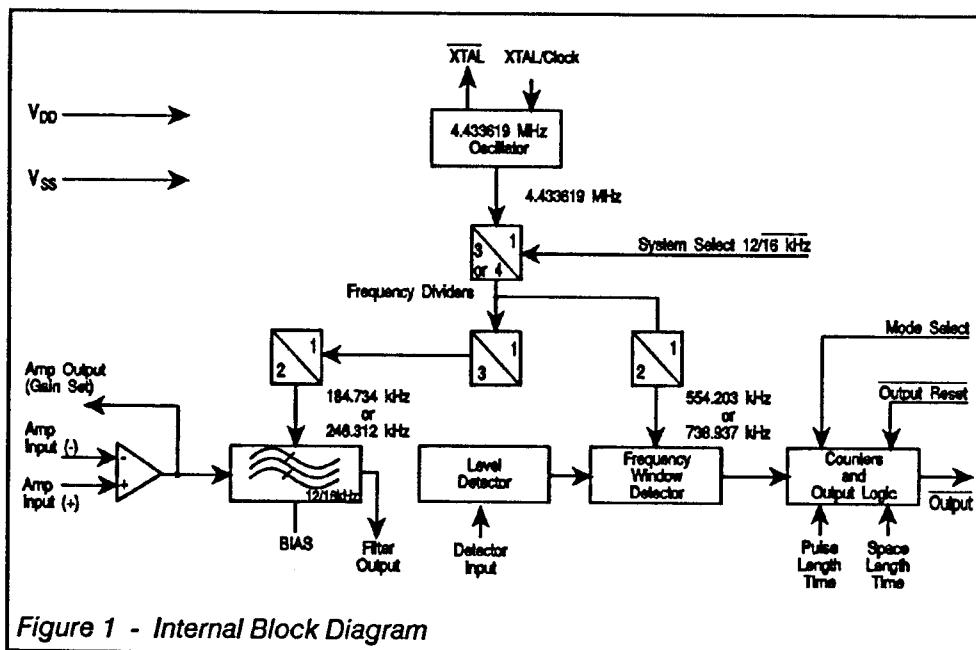
Through external component selection, the MX611 can be tailored to meet various mark/space periods and detection level thresholds.

SPM Background

Subscriber Pulse Metering (SPM) is a popular method of charge metering telephone calls at the

PABX and subscriber level in Europe. Charge units are signified by transmitting 12kHz, 16kHz, or 50Hz tonebursts down the line.

Belgium, Finland, France, Germany, Spain, Switzerland, and Sweden are among the countries with SPM standards. Each specifies unique tone pulse repetition rates, pulse lengths, pulse pause lengths, pulse levels, and frequency "must" and "must not" decode bandwidths.



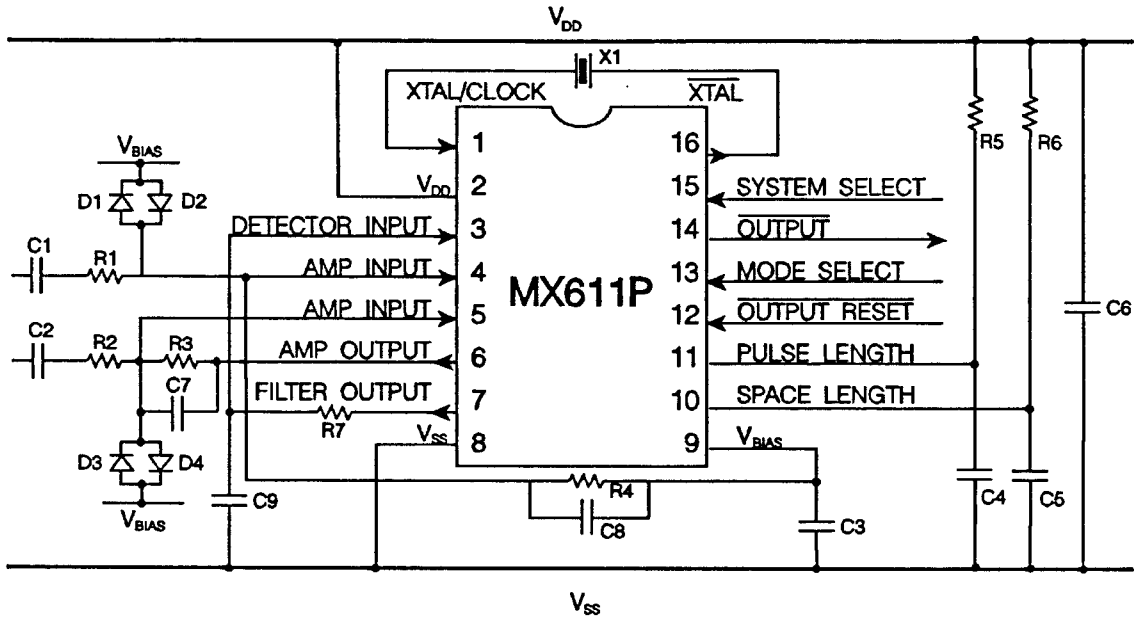
Pin Function Chart

Pin		Function
J,P	LH	
1	1	Xtal/Clock: Input to the clock oscillator inverter. A single 4.433619MHz Xtal or external clock pulse input is required. See Figure 2.
2	2	V_{DD} : The positive supply rail. A single +5V supply is required.
3	5	Detector Input: "Schmitt Trigger" level detector circuitry whose input thresholds are set internally. This input must be connected to the FILTER OUTPUT pin using the external integration components R_7 and C_9 as shown in Figure 2.
4	6	Amplifier Input (+):
5	7	Amplifier Input (-):
6	8	Amplifier Output: The output of the input stage amplifier. It is used with gain-setting components. See Figures 1 and 2.
7	11	Filter Output: The switched (12/16kHz) bandpass filter output. It must be connected to the Detector Input pin using the external integration components R_7 and C_9 as shown in Figure 2.
8	12	V_{SS} : The negative power supply rail (GND).
9	13	V_{BIAS} : The analog bias point. It should be externally decoupled to V_{SS} via capacitor C_3 .
10	14	Space Length Time: Active only in the SPM Packet Mode, this input uses an external R/C network to set the minimum valid No-Tone (space) period for the incoming packet using the formula: $t_s = 0.7 (R_6 \times C_4)$. If the SPM Packet Mode is not required, omit these components and leave the input unconnected.
11	17	Pulse Length Time: Active only in the SPM Packet Mode, this input uses an external R/C network to set the minimum valid Tone period for the incoming packet using the formula: $t_m = 0.7 (R_5 \times C_4)$. If the SPM Packet Mode is not required, omit these components and leave the input unconnected.
12	18	Output Reset: This input is used only in the SPM Packet Mode. A logic "0" on this pin resets the Output pin to a logic "1." This input has an internal 1M Ω pullup resistor.
13	19	Mode Select: A control pin to select either the Tone Follower Mode or the SPM Packet Mode. A logic "1" selects Tone Follower, and a logic "0" selects SPM Packet. This input has an internal 1M Ω pullup resistor (defaults to Tone Follower Mode).
14	20	\overline{Output} : The digital output of the SPM Detector. In the Tone Follower Mode, a valid tone gives a logic "0" and no-tone gives a logic "1." Tonebursts and tone dropouts of less than 16 cycles are ignored. In the SPM Packet Mode, the output is set to a logic "0" when a valid packet is measured. The output remains latched low until reset by a logic "0" at the Output Reset function. See Figure 3.
15	23	System Select: A control pin to set the device to work on either a 12kHz (logic "1") or 16kHz (logic "0") SPM system. This input has an internal 1M Ω pullup resistor (defaults to 12kHz operation).
16	24	\overline{Xtal} : The output of the clock oscillator inverter.

Pins 3,4,9,10,15,16,21, and 22 are not internally connected on the MX611LH.

External Components

(a) Differential Input Configuration



(b) Single Input Configuration

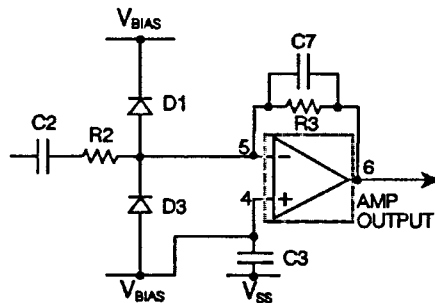


Figure 2 - Recommended External Components

Component References			
Component	Reference	Component	Reference
R ₁	Note 4	C ₁	Note 4
R ₂	Note 4	C ₂	Note 4
R ₃	390kΩ ± 1.0%	C ₃	1.0μF ± 20%
R ₄	390kΩ ± 1.0%	C ₄	Note 1
R ₅	Note 1	C ₅	Note 1
R ₆	Note 1	C ₆	1.0μF ± 20%
R ₇	47kΩ ± 1.0%	C ₇	12.0 pF ± 10.0%
D ₁ to D ₄	1N4148 or equivalent	C ₈	12.0 pF ± 10.0%
X ₁	4.433619MHz	C ₉	100pF ± 1.0%

Component Value Notes

(1) Component values R_5 and C_4 set the minimum tone "Mark" period; R_6 and C_5 set the minimum "Space" period in the SPM Packet mode. They are calculated as follows:

$$t_M = 0.7(R_5 \times C_4) \quad t_S = 0.7(R_6 \times C_5)$$

Mark and Space calculations should be made taking into consideration response times t_R and t_D (Fig. 4). Current consumption will increase if low values of timing resistor are used.

(2) Input Amplifier gain components (Figure 2 a & b). These components set the gain required to achieve the various National Level Specifications. Instructions for gain calculations are given in Figure 3 and Note 4 (below).

(3) Protection diodes: since most telephone systems operate at voltages in excess of the Absolute Maximum limits for damage, diodes D_1 - D_4 are essential for device protection.

(4) Calculation of gain components:

For a differential input:

$$\begin{array}{l} R_1 = R_2 \\ R_3 = R_4 \end{array} \quad \begin{array}{l} C_1 = C_2 \\ C_7 = C_8 \end{array}$$

$$\text{Gain} = \frac{Z_{\text{feedback}}}{Z_{\text{input}}} = \frac{(R_4 // X(C_8))}{(R_1 + X(C_1))}$$

This calculation approximates as:

$$R_1 \approx \frac{R_4}{1.2 \times (\text{selected gain})}$$

$$\text{and } C_1 \approx \frac{1}{2\pi \times R_1 \times 6.0\text{kHz}}$$

-using the nearest preferred value components.

The values of R_1 and C_1 have been calculated to give a high-pass cut-off between the audio and SPM tone frequencies of approximately 6kHz. C_7 and C_8 are anti-alias components and are calculated for an approximate cut-off frequency of 32kHz.

Example component values for the West German "FTZ" (16kHz) Specification

"Will Decode" Sensitivity (Min.) = -21dB

"Will-Not Decode" Sensitivity (Max.) = -27dB

From the graph of Figure 3, the calculated gain range is 0 to 3 dB. A gain value of 1.4 dB is selected from within this range. For use in the formulas above, the gain must be converted from dB.

$$1.4 \text{ dB} = 20\log_{10} (\text{Gain})$$

$$\text{Gain} = 1.17$$

$$R_1 = \frac{390\text{k}\Omega}{1.2 \times 1.17} = 277778 \Omega$$

$$\text{Use } R_1 = 270 \text{ k}\Omega$$

$$C_1 = \frac{1}{2\pi \times 270 \text{ k}\Omega \times 6.0 \text{ kHz}} = 9.82 \times 10^{-11} \text{ F}$$

$$= 98.2 \text{ pF}$$

$$\text{Use } C_1 = 100\text{pF}$$

$$\text{The minimum tone length } t_M = 80\text{ms}$$

$$\text{The minimum space length } t_S = 135\text{ms}$$

Using the formulas from Note 1:

$$\text{Select } R_5 = 130 \text{ k}\Omega \pm 1\%, C_4 = 1.0 \mu\text{F} \pm 10\%$$

$$R_6 = 220 \text{ k}\Omega \pm 1\%, C_5 = 1.0 \mu\text{F} \pm 10\%$$

$$t_M = (0.7) (130 \text{ k}\Omega) (1.0 \mu\text{F}) = 91 \text{ ms}$$

$$t_S = (0.7) (220 \text{ k}\Omega) (1.0 \mu\text{F}) = 154 \text{ ms}$$

Using the worst-case component values:

$$t_M = 81 \text{ ms}$$

$$t_S = 137 \text{ ms}$$

To summarize for this example, the components would take these values:

R_1	270 k Ω	C_1	100 pF
R_2	270 k Ω	C_2	100 pF
R_3	390 k Ω	C_3	1.0 μF
R_4	390 k Ω	C_4	1.0 μF
R_5	130 k Ω	C_5	1.0 μF
R_6	220 k Ω	C_6	1.0 μF
		C_7	12 pF
X_1	4.433619MHz	C_8	12 pF
		C_9	100 pF

Tolerances:

Resistors $\pm 1\%$.

Capacitors $C_3, C_6 \pm 20\%$, all others $\pm 10\%$.

Amplitude and Timing

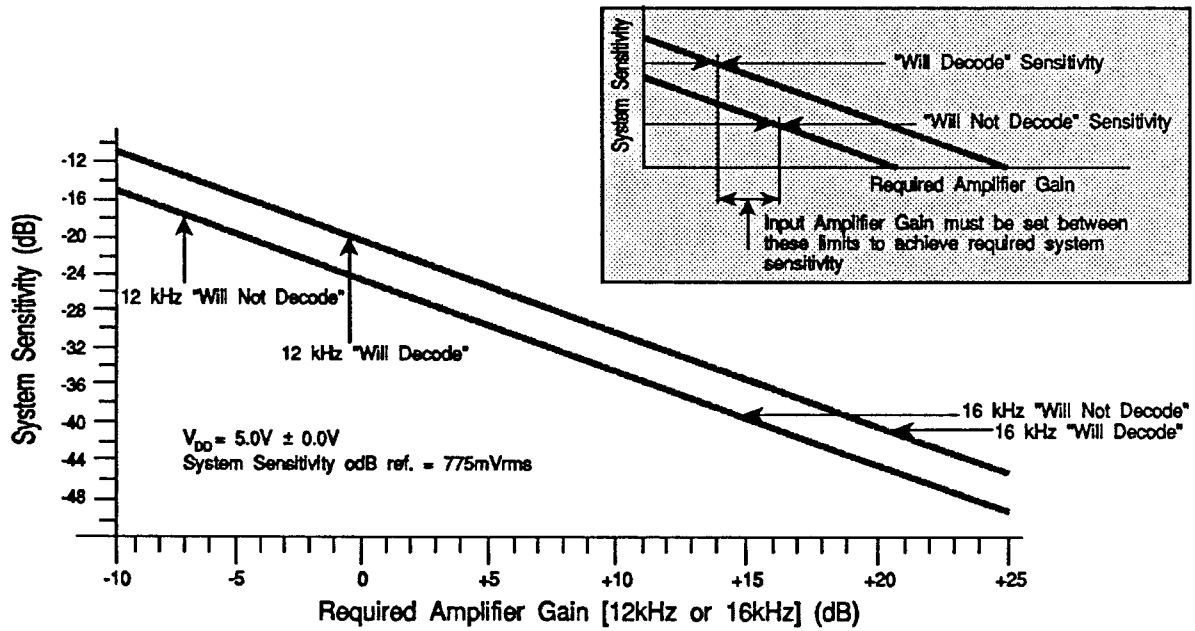
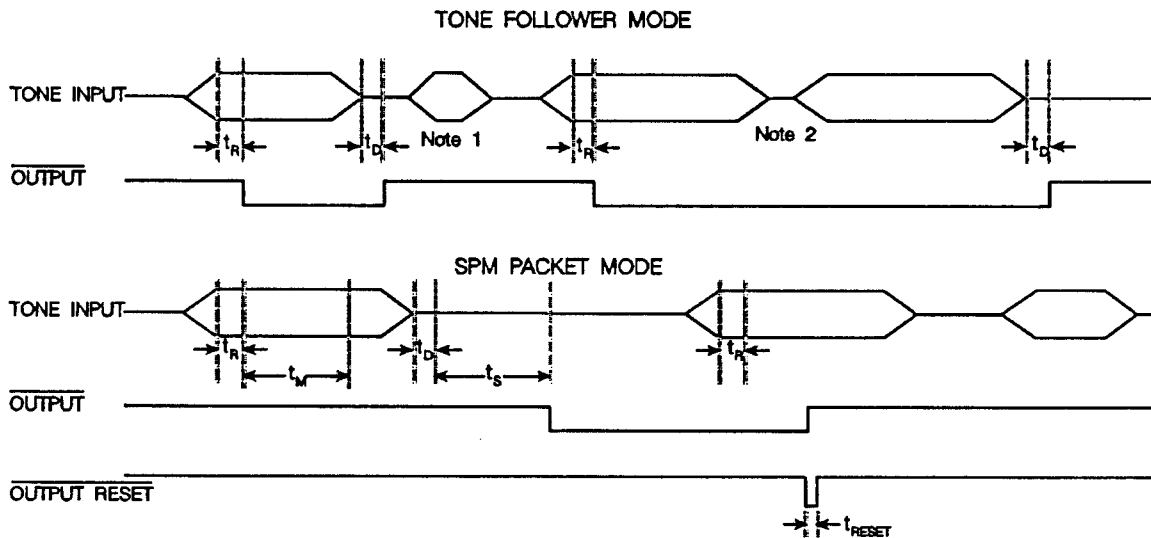


Figure 3 - Graph for the Calculation of Required Input Gain vs System Sensitivity

Input Gain Calculation

Apply the system "Will" and "Will Not" Decode sensitivity values (Y axis) to the relevant graph in Figure 3. The X axis indicates the input gain area required.



Abbreviations: (Specifications are on pages 6 & 7.)

t_R : Tone Response Time

t_D : Tone De-response Time

t_M : Pulse Length Time

t_S : Space Length Time

t_{RESET} : SPM Output Reset Time

Note 1: No reaction to pulses with periods less than "Tone Response Time."

Note 2: No reaction to drop-outs with periods of less than "Tone De-response Time."

Figure 4 - Timing Information

Specifications

Absolute Maximum Ratings

Exceeding the maximum rating can result in device damage. Operation of the device outside the operating limits is not suggested.

Supply Voltage	-0.3 to 7.0V
Input Voltage at any pin (ref $V_{SS} = 0V$)	-0.3V to ($V_{DD} + 0.3V$)
Sink/source current (supply pins)	± 30 mA
(other pins)	± 20 mA
Total device dissipation @ $T_{AMB} 25^{\circ}C$	800 mW max.
Derating	10 mW/ $^{\circ}C$
Operating Temperature	-40 $^{\circ}C$ to +85 $^{\circ}C$
Storage Temperature	-55 $^{\circ}C$ to +125 $^{\circ}C$

Operating Limits

All devices were measured under the following conditions unless otherwise noted.

$$V_{DD} = 5.0V$$

$$T_{AMB} = 25^{\circ}C$$

$$Xtal/Clock f_c = 4.433619MHz$$

$$\text{Audio level } 0dB \text{ ref.} = 775mV \text{ rms}$$

$$SNR \geq 18dB$$

Characteristics

	System	Note	Min.	Typ.	Max.	Unit
Static Values						
Supply Voltage (V_{DD})			4.5	5.0	5.5	V
Supply Current (I_{DD})				3.0		mA
Analog Input Impedance			1.0			M Ω
Digital Input Impedance				1.0		M Ω
Digital Output Impedance					10	k Ω
Dynamic Values						
Sensitivity	12 kHz	7	-20.5	-24	-	dB
	16 kHz	7	-	-25.5	-	dB
Required Signal to Noise Ratio		4	18	-	-	dB
Upper Detector Threshold		8	2.95	3.0	3.05	V
Lower Detector Threshold		8	1.95	2.0	2.05	V
Bandpass Filter						
Passband Gain	12 kHz		-	16.5	-	dB
	16 kHz		-	16.5	-	dB
Passband Ripple	12 kHz	6	-	-	1.0	dB
	16 kHz	6	-	-	1.0	dB
Audio Band Attenuation (<3.4kHz)	12 kHz		-	40.0	-	dB
	16 kHz		-	50.0	-	dB
Frequency Discrimination						
"Will-Decode" Frequency	12 kHz		11.82		12.18	kHz
	16 kHz		15.76		16.24	kHz
"Will-Not Decode" Frequency	Upper Limits	12 kHz	12.48	-	50.0	kHz
	Lower Limits	12 kHz	0	-	11.52	kHz
	Upper Limits	16 kHz	16.64	-	50.0	kHz
	Lower Limits	16 kHz	0	-	15.36	kHz
Timing Information - Fig.3						
Valid Tone Burst Length (t_M)	12/16kHz	1,2	16.0	-	-	cycles
Valid Space Length (t_S)	12/16kHz	2	5.0	-	-	ms
Tone Response Time (t_P)	12kHz	1,3,4	1.7	-	3.0	ms

Characteristics	System	Note	Min.	Typ.	Max.	Unit
De-response Time (t_D)	16kHz	1,3,4	1.2	-	2.0	ms
	12kHz	4,5,9	1.7	-	30.0	ms
	16kHz	4,5,9	1.2	-	20.0	ms
SPM Output Reset Time (t_{reset})	12/16kHz	2	150.0	-	-	ns

Notes

1. Tone Follower mode.
2. SPM Packet mode—in this mode the minimum valid Pulse (Space) length is programmable by means of an RC network on the Pulse (Space) Length Time pin. If no RC network is used, the minimum valid tone length reverts to 16 cycles.
3. The time for the circuit to recognize a valid "Tone" in the Tone Follower Mode.
4. With the noise level at the input < 11.0dB (100 kHz noise bandwidth).
5. The time for the circuit to recognize a valid "No Tone" in the Tone Follower Mode.
6. Measured over the "Will Decode" bandwidth of the frequency discriminator.
7. Measured with the input gains set to unity. Input gain requirements are calculated according to Figure 3.
8. These thresholds are measured at 5 volt V_{DD} . Any supply variation will alter thresholds accordingly.
9. As Noise or Gain is increased the de-response time increases.

Package Information

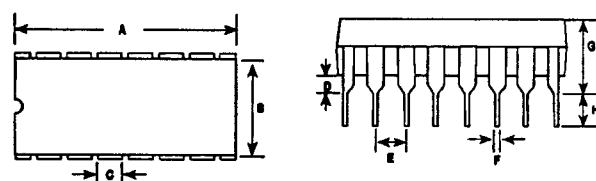
The MX611J, shown in Figure 4, is a 16-pin Ceramic Dual In-line Package (CERDIP). The MX611P is a 16-pin Plastic Dual In-line Package (PDIP). It is shown in Fig. 5.

The LH package in Figure 6 is a 24-lead Plastic Leaded Chip Carrier (PLCC-24). The MX611LH has an ident spot adjacent to pin 1 and a chamfered corner between pins 3 and 4.

Handling Precautions

The MX611 is a CMOS LSI circuit which includes input protection. However, precautions should be taken to prevent static discharges which may cause damage.

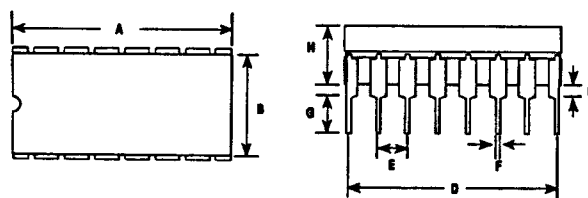
Figure 5 - MX611P 16-pin PDIP



Package Tolerances

Dimension In. (mm)	Min.	Max.
A	.740 (18.796)	.770 (19.558)
B	.240 (6.096)	.260 (6.604)
C	.40 (1.016)	.65 (1.651)
D	.020 (0.508)	.070 (1.778)
E	.090 (2.286)	.110 (2.794)
F	.015 (.381)	.020 (.508)
G	.150 (3.810)	.200 (5.080)
H	.125 (3.175)	.150 (3.810)
I	.290 (7.366)	.310 (7.874)
J	.330 (8.382)	.370 (9.398)

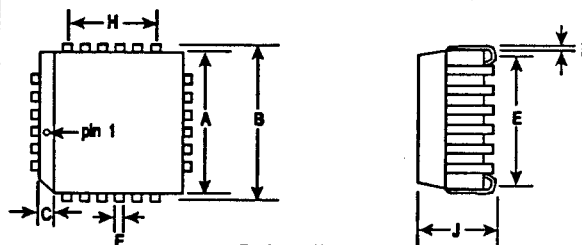
Figure 4 - MX611J 16-pin CERDIP



Package Tolerances

Dimension In. (mm)	Min.	Max.
A	.753 (19.12)	.767 (19.48)
B	.285 (7.24)	.290 (7.40)
C	.30 (7.80)	.31 (8.00)
D	.70 (17.78)	typical
E	.10 (2.54)	typical
F	.018 (0.46)	typical
G	.153 (3.89)	typical
H	.168 (4.27)	typical
I	.020 (0.50)	—

Figure 6 - MX611LH PLCC-24 Package



Package Tolerances

Dimension In. (mm)	Min.	Max.
A	.398 (10.10)	.410 (10.40)
B	.423 (10.75)	.435 (11.05)
C	.044 (1.15) x 45°	typical
D	.050 (1.27)	typical
E	.368 (9.30)	typical
F	.018 (0.45)	.022 (0.55)
G	.244 (6.20)	.254 (6.45)
H	.134 (3.40)	.146 (3.70)
I	.007 (0.17)	.011 (0.27)

MX-COM, INC. ICs are available throughout the free world:

in Europe,
Consumer Microcircuits Ltd.
(A member of CML Microsystems, Plc.)
1 Wheaton Rd.
Whitham, Essex, England CM8 3TH

Phone: (0376) 513833
Telex: 9932 CMICRO G
Fax: (0376) 518247

In Korea,
S-TEC International Co., Ltd.
Yoido P.O. Box 577,
Yeongdeungpo Ku
Seoul, Korea

Phone: (02) 784-6800
Telex: K23456 STECI
Fax: (02) 784-7500

in Japan,
Teksel Co., Ltd.
Kanagawa Science Park
R&D C-4F
100-1, Sakado, Takatsu-ku
Kawasaki 213, Japan

Phone: (044) 812-7430
Telex: 3842196 TEKSEL
Fax: (044) 812-7433

Osaka office
Phone: (06) 391-8661
Fax: (06) 391-8684

in Taiwan,
**Mitronics International
Corporation**
Hyatt Tower 7F, No. 696 Tung Hua
South Road
Taipei, Taiwan, R.O.C.

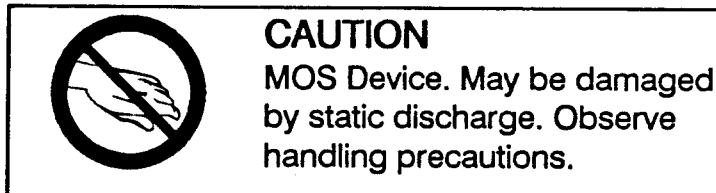
Phone: (02) 709-7626
Telex: 12621 MITRONIC
Fax: (02) 776-1394

in the Americas,

MX-COM, INC.

4800 Bethania Station Rd.
Winston-Salem, NC27105-1201

Phone: (919) 744-5050
(800) 638-5577
Fax: (919) 744-5054
Intl. Telex: 5101012852



Specifications subject to change.

Document No. 20480020.001

©Copyright 1989

4800 Bethania Station Rd.
Winston-Salem, NC 27105
Phone: (919) 744-5050
FAX: (919) 744-5054
TELEX: (Domestic): 62892598
(International): 5101012852

MX-COM, INC.
COMMUNICATION MICROSYSTEMS



CML Microcircuits

COMMUNICATION SEMICONDUCTORS

CML Product Data

In the process of creating a more global image, the three standard product semiconductor companies of CML Microsystems Plc (*Consumer Microcircuits Limited (UK)*, *MX-COM, Inc (USA)* and *CML Microcircuits (Singapore) Pte Ltd*) have undergone name changes and, whilst maintaining their separate new names (*CML Microcircuits (UK) Ltd*, *CML Microcircuits (USA) Inc* and *CML Microcircuits (Singapore) Pte Ltd*), now operate under the single title **CML Microcircuits**.

These companies are all 100% owned operating companies of the CML Microsystems Plc Group and these changes are purely changes of name and do not change any underlying legal entities and hence will have no effect on any agreements or contacts currently in force.

CML Microcircuits Product Prefix Codes

Until the latter part of 1996, the differentiator between products manufactured and sold from MXCOM, Inc. and Consumer Microcircuits Limited were denoted by the prefixes MX and FX respectively. These products use the same silicon etc. and today still carry the same prefixes. In the latter part of 1996, both companies adopted the common prefix: CMX.

This notification is relevant product information to which it is attached.

CML Microcircuits (USA) [formerly MX-COM, Inc.] Product Textual Marking

On CML Microcircuits (USA) products, the '**MX-COM**' textual logo is being replaced by a '**CML**' textual logo.

Company contact information is as below:



**CML Microcircuits
(UK) Ltd**

COMMUNICATION SEMICONDUCTORS

Oval Park, Langford, Maldon,
Essex, CM9 6WG, England
Tel: +44 (0)1621 875500
Fax: +44 (0)1621 875600
uk.sales@cmlmicro.com
www.cmlmicro.com



**CML Microcircuits
(USA) Inc.**

COMMUNICATION SEMICONDUCTORS

4800 Bethania Station Road,
Winston-Salem, NC 27105, USA
Tel: +1 336 744 5050,
0800 638 5577
Fax: +1 336 744 5054
us.sales@cmlmicro.com
www.cmlmicro.com



**CML Microcircuits
(Singapore) Pte Ltd**

COMMUNICATION SEMICONDUCTORS

No 2 Kallang Pudding Road, 09-05/
06 Mactech Industrial Building,
Singapore 349307
Tel: +65 7450426
Fax: +65 7452917
sg.sales@cmlmicro.com
www.cmlmicro.com