



N-Channel Enhancement Mode Power MOSFET **MXD6888K**

DESCRIPTION

The MXD6888K is N-channel MOS Field Effect Transistor designed for high current switching applications. Rugged E_{AS} capability and ultra low $R_{DS(ON)}$ is suitable for PWM, load switching especially for E-Bike controller applications.

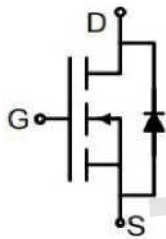
GENERAL FEATURES

- $V_{DS}=60V$, $I_D=80A$
 $R_{DS(ON)}(Typ.)=6.8m\Omega$ @ $V_{GS}=10V$
- Special Designed for E-Bike Controller Application
- Ultra Low On-Resistance
- High UIS and UIS 100% Test

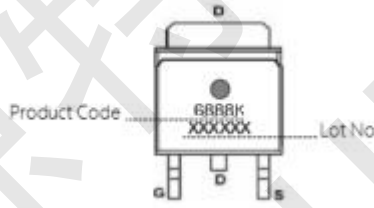
APPLICATION

- Power Switching Application
- Hard Switched and High Frequency Circuits
- Uninterruptible Power Supply

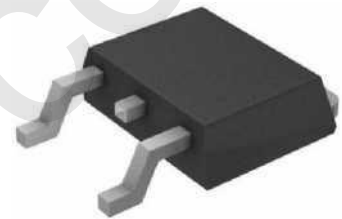
PINOUT



Schematic diagram



Marking and pin Assignment



TO-252-2L top view

KEY PERFORMANCE PARAMETERS ($T_A=25^\circ C$ unless otherwise noted)

Parameter	Value	Unit
V_{DS} @ $T_C=25^\circ C$	60	V
$R_{DS(ON)}(Typ.)$ @ $V_{GS}=10V$	6.8	m Ω
$Q_g(Typ.)$	56	nC
I_D @ $T_C=25^\circ C$	80	A
P_D @ $T_C=25^\circ C$	75	W
$T_J, TSTG$	-55 to 175	$^\circ C$

PACKAGE INFORMATION

Package	TO-252-2L
---------	-----------



N-Channel Enhancement Mode Power MOSFET **MXD6888K**



ABSOLUTE MAXIMUM RATINGS($T_A=25^{\circ}\text{C}$ unless otherwise noted)

Parameter	Symbol	Limit	Unit
Drain-Source Voltage ($V_{GS}=0\text{V}$)	V_{DS}	60	V
Gate-Source Voltage ($V_{DS}=0\text{V}$)	V_{GS}	± 20	V
Drain Current (DC) at $T_C=25^{\circ}\text{C}$	$I_{D(DC)}$	80	A
Drain Current (DC) at $T_C=100^{\circ}\text{C}$	$I_{D(DC)}$	65	A
Drain Current-Continuous@ Current-Pulsed (Note1)	$I_{DM(pluse)}$	260	A
Peak Diode Recovery Voltage	dv/dt	8	V/ns
Maximum Power Dissipation($T_C=25^{\circ}\text{C}$)	P_D	75	W
Derating Factor		0.5	W/ $^{\circ}\text{C}$
Single Pulse Avalanche Energy (Note 2)	E_{AS}	300	mJ
Operating Junction and Storage Temperature Range	T_J, T_{STG}	-55 to 175	$^{\circ}\text{C}$

Note 1. Repetitive Rating: Pulse width limited by maximum junction temperature

Note 2. E_{AS} condition: $T_J=25^{\circ}\text{C}$, $V_{DD}=33\text{V}$, $V_G=10\text{V}$



THERMAL RESISTANCE

Parameter	Symbol	Max.	Unit
Thermal Resistance, Junction-to-Case	$R_{\theta JC}$	2.34	$^{\circ}\text{C}/\text{W}$



N-Channel Enhancement Mode Power MOSFET **MXD6888K**



ELECTRICAL CHARACTERISTICS ($T_A=25^\circ\text{C}$ unless otherwise noted)

Parameter	Symbol	Condition	Min	Typ	Max	Unit
-----------	--------	-----------	-----	-----	-----	------

On/Off Characteristics

Drain-Source Breakdown Voltage	BV_{DSS}	$V_{GS}=0V, I_D=250\mu A$	60	-	-	V
Zero Gate Voltage Drain Current	I_{DSS}	$V_{DS}=60V, V_{GS}=0V$	-	-	1	μA
Gate-Body Leakage Current	I_{GSS}	$V_{GS}=\pm 20V, V_{DS}=0V$	-	-	± 100	nA
Gate Threshold Voltage	$V_{GS(th)}$	$V_{DS}=V_{GS}, I_D=250\mu A$	2	-	4	V
Drain-Source On-State Resistance	$R_{DS(ON)}$	$V_{GS}=10V, I_D=40A$	-	6.8	8.2	m Ω

Dynamic Characteristics

Forward Transconductance	g_{FS}	$V_{DS}=10V, I_D=15A$	15	-	-	S
Input Capacitance	C_{iss}	$V_{DS}=25V, V_{GS}=0V, F=1.0MHz$	-	2873	-	pF
Output Capacitance	C_{oss}		-	252	-	pF
Reverse Transfer Capacitance	C_{rss}		-	205	-	pF
Total Gate Charge	Q_g	$V_{DS}=50V, I_D=40A, V_{GS}=10V$	-	56	-	nC
Gate-Source Charge	Q_{gs}		-	10	-	nC
Gate-Drain Charge	Q_{gd}		-	16	-	nC

Switching Characteristics

Turn-on Delay Time	$t_{d(on)}$	$V_{DD}=30V, I_D=2A, R_L=15\Omega, V_{GS}=10V, R_{GEN}=2.5\Omega$	-	14.5	-	nS
Turn-on Rise Time	t_r		-	24	-	nS
Turn-Off Delay Time	$t_{d(off)}$		-	45	-	nS
Turn-Off Fall Time	t_f		-	22	-	nS

Source-Drain Diode Characteristics

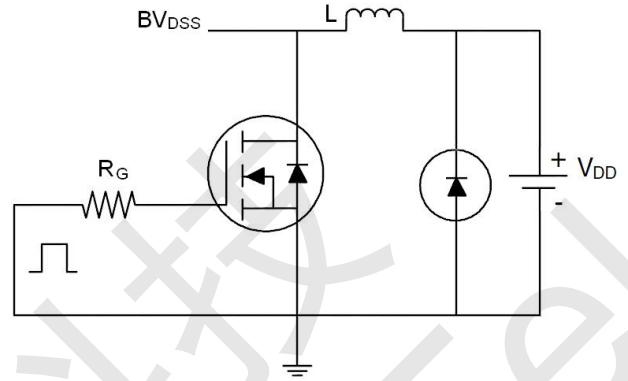
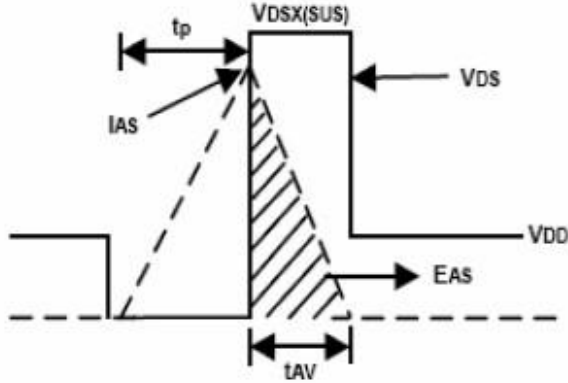
Diode Forward Voltage	V_{SD}	$T_J=25^\circ\text{C}, V_{GS}=0V, I_S=40A$	-	0.89	0.99	V
Diode Forward Current	I_{DS}		-	-	60	A
Reverse Recovery Time	t_{rr}	$T_J=25^\circ\text{C}, I_F=75A, di/dt=100A/\mu s$	-	22	-	nS
Reverse Recovery Charge	Q_{rr}		-	27	-	nC
Forward Turn-On Time	t_{on}	Intrinsic turn-on time is negligible (turn-on is dominated by L_S+L_D)				



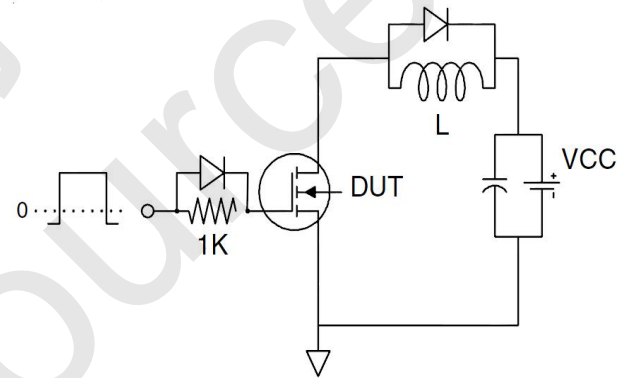
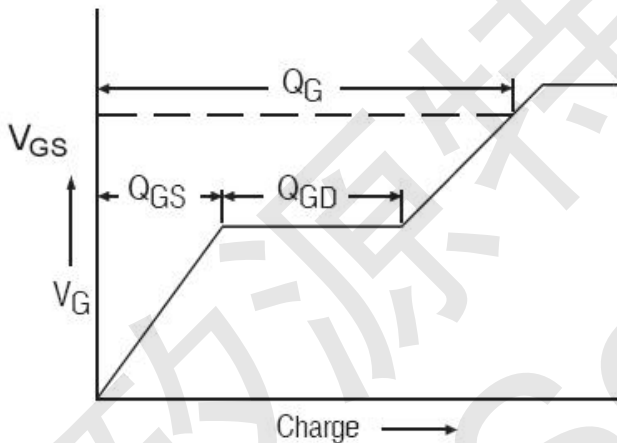
N-Channel Enhancement Mode Power MOSFET **MXD6888K**

TYPICAL PERFORMANCE CHARACTERISTICS

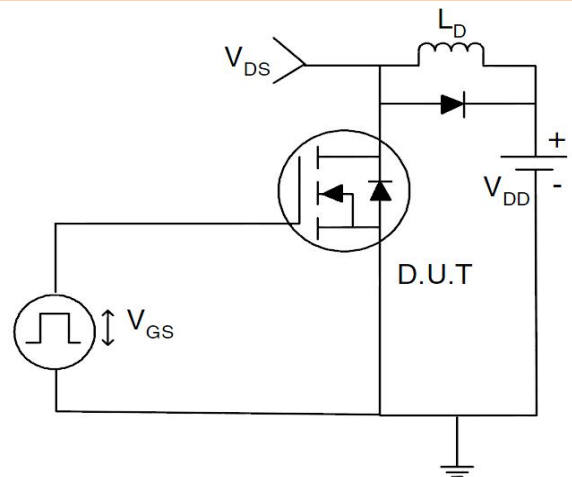
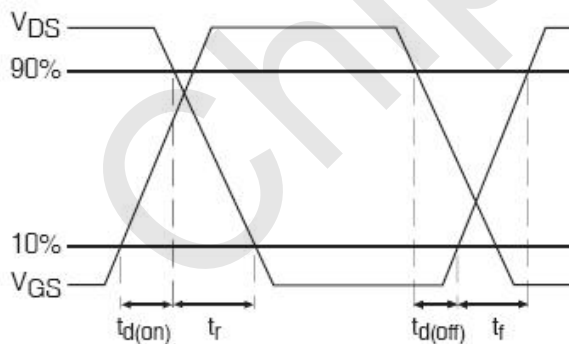
1) E_{AS} Test Circuits



2) Gate Charge Test Circuit:



3) Switch Time Test Circuit:





TYPICAL PERFORMANCE CHARACTERISTICS

Figure1. Output Characteristics

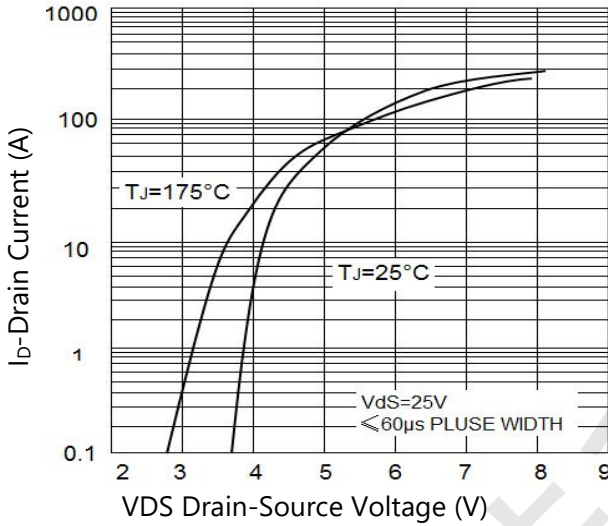


Figure2. Transfer Characteristics

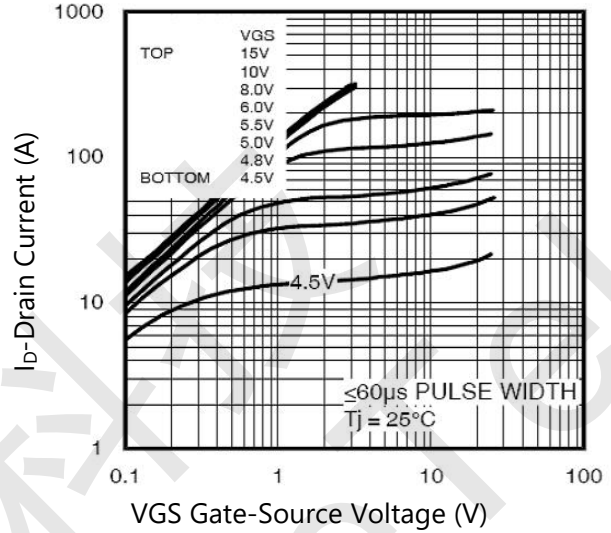


Figure3. BV_{DSS} vs Junction Temperature

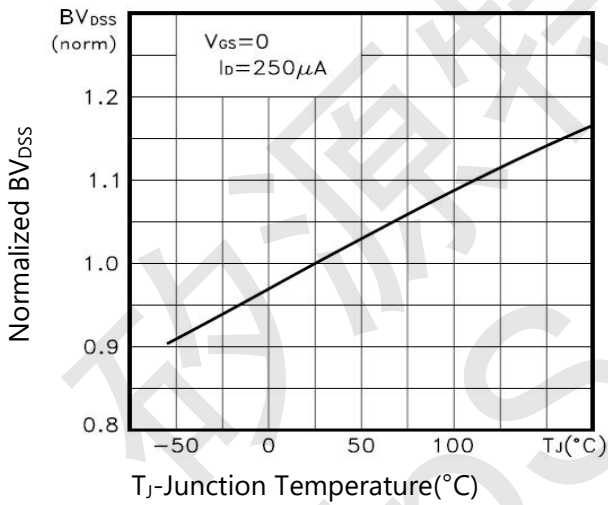


Figure4. I_D vs Junction Temperature

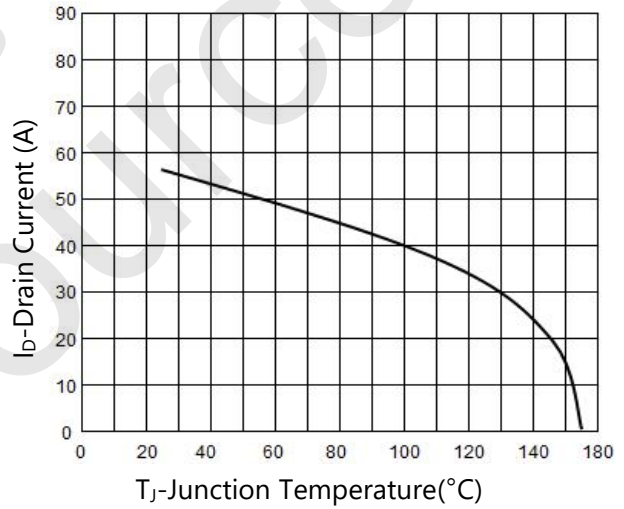


Figure5. $V_{GS(th)}$ vs Junction Temperature

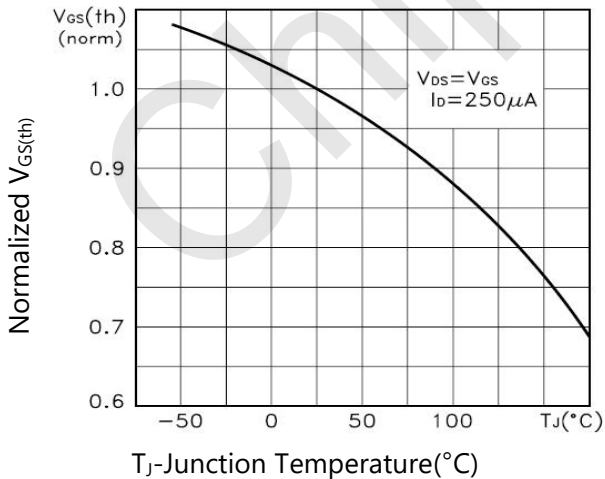
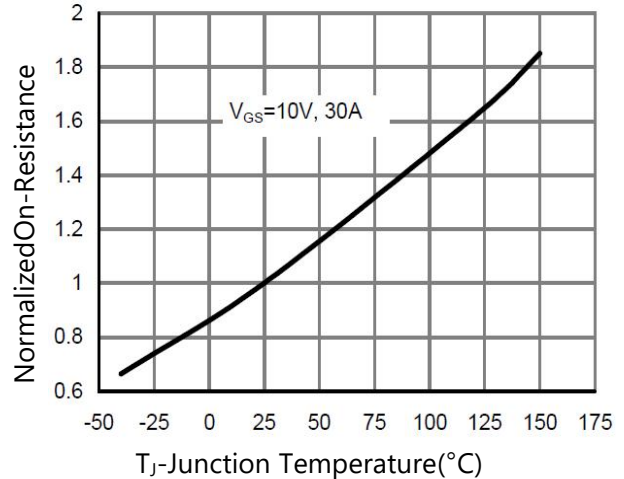


Figure6. R_{dson} Vs Junction Temperature





N-Channel Enhancement Mode Power MOSFET **MXD6888K**

TYPICAL PERFORMANCE CHARACTERISTICS

Figure7. Gate Charge

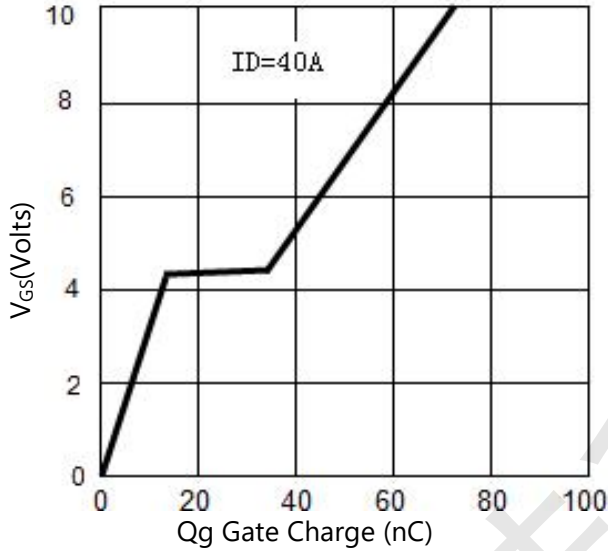


Figure8. Capacitance vs V_{DS}

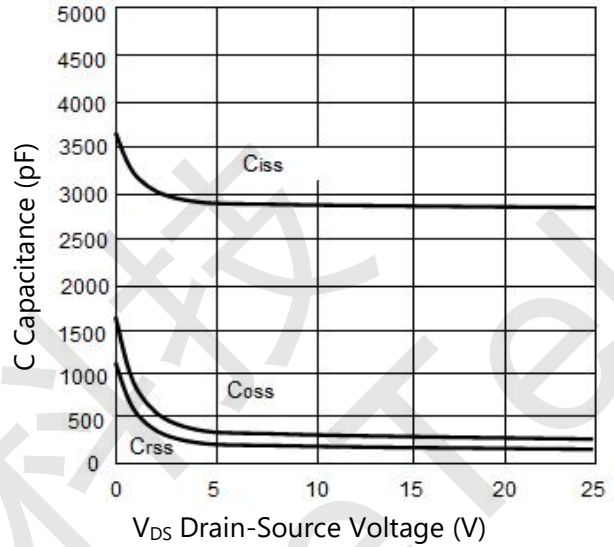


Figure9. Source-Drain Diode Forward

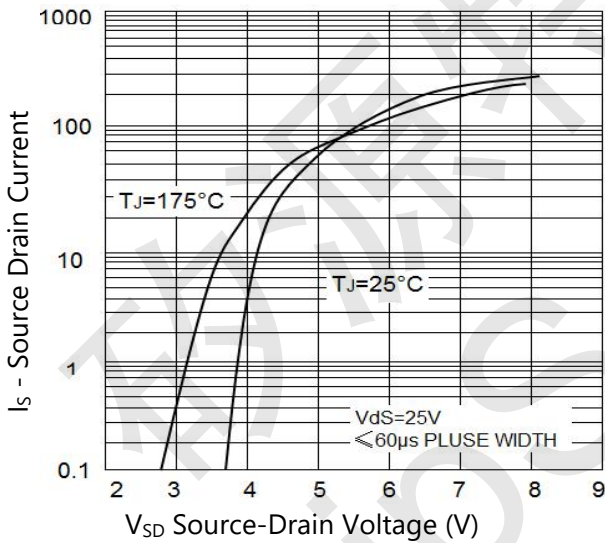


Figure10. Safe Operation Area

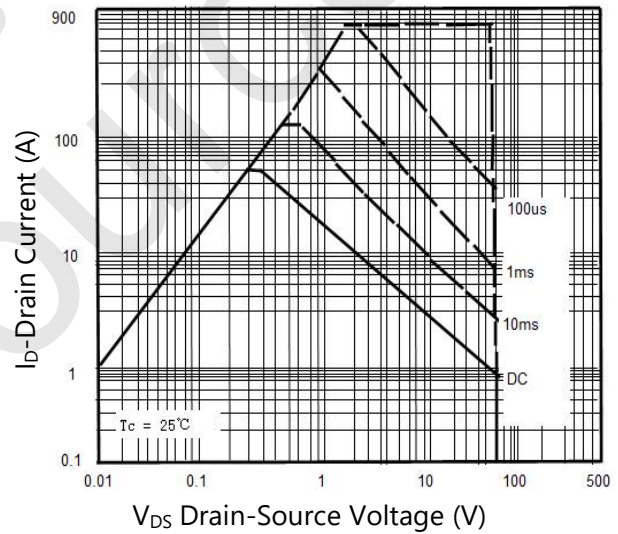


Figure11. Normalized Maximum Transient Thermal Impedance

