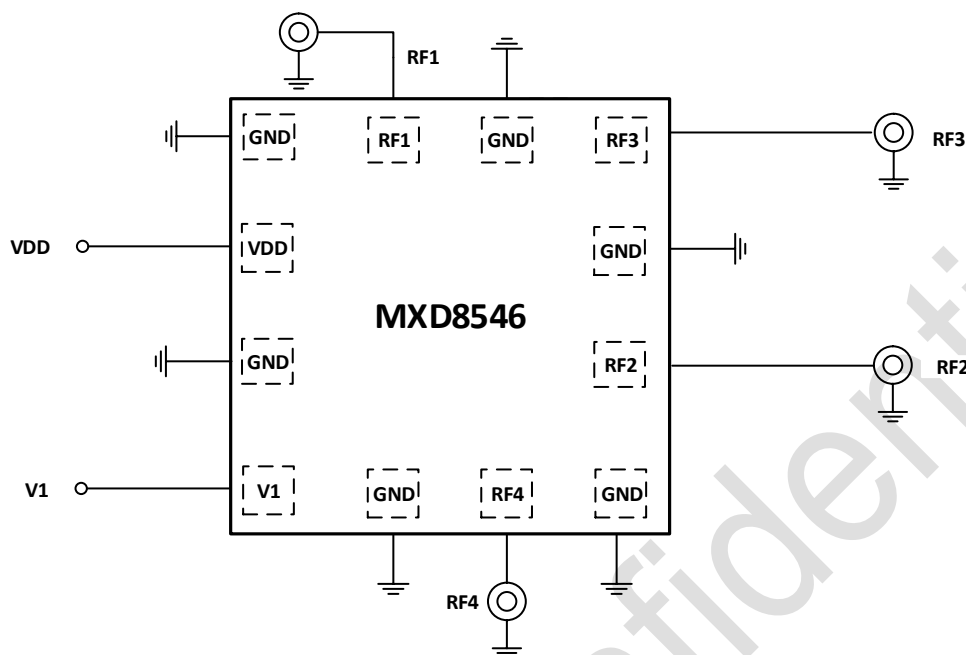




MXD8546

X-DPDT Switch for 0.4~3.8G Application

This document contains information that is confidential and proprietary to Maxscend Microelectronics Company Limited (Maxscend) and may not be reproduced in any form without express written consent of Maxscend. No transfer or licensing of technology is implied by this document.

Application Circuit

Figure 3. MXD8546 Evaluation Board Schematic
Table 1. Pin Description

Pin No.	Name	Description	Pin No.	Name	Description
1	GND	Ground.	7	GND	Ground.
2	VDD	DC power supply	8	RF2	RF port 2
3	GND	Ground.	9	GND	Ground.
4	V1	DC control voltage 1.	10	RF3	RF Port 3
5	GND	Ground.	11	GND	Ground.
6	RF4	RF port 4	12	RF1	RF port 1

Note: Bottom ground paddles must be connected to ground.

Table 2. Truth Table

V1	State
1	RF3 to RF1, RF4 to RF2
0	RF3 to RF2, RF4 to RF1

Note: "1" = 1.8 to 3.1 V, "0" = -0.20 to +0.45 V;
Any state other than described in this Table places the switch into an undefined state.

Recommended Operation Range
Table 3.

Parameters	Symbol	Min	Typ	Max	Units
Operation Frequency	f1	0.4	-	3.8	GHz
Power supply	V _{DD}	1.8	2.8	3.3	V
Switch Control Voltage High	V _{CTL_H}	1.5	1.8	3.3	V
Switch Control Voltage Low	V _{CTL_L}	-0.2	0	0.4	V

Specifications
Table 4. Electrical Specifications

Parameter	Symbol	Specification			Units	Test Condition
		Min.	Typical	Max.		
DC Specifications						
Control voltage: Low	V_{CTL_L}	0	0	0.3	V	
High	V_{CTL_H}	1.5	1.8	3.3	V	
Supply voltage	V_{DD}	1.8	2.8	3.3	V	
Supply current	I_{DD}		60	85		$V_{DD} = 2.8\text{ V}$
Control current	I_{CTL}		1	5	μA	$V_{CTL} = 1.8\text{ V}$
RF Specifications						
Insertion loss (RF1/RF2 to RF3/RF4)	IL		0.45		dB	0.7 to 1.0 GHz
			0.50		dB	1.0 to 2.2 GHz
			0.55		dB	2.5 to 2.7 GHz
			0.70		dB	3.4 to 3.8 GHz
Isolation (RF1/RF2 to RF3/RF4, RF1 to RF2, RF3 to RF4)	ISO	40	45		dB	0.7 to 1.0 GHz
		36	40		dB	1.0 to 2.2 GHz
		32	35		dB	2.5 to 2.7 GHz
		26	28		dB	3.4 to 3.8 GHz
Input return loss (RF1/RF2 to RF3/RF4)	RL	15	20		dB	0.7 to 3.8 GHz
0.1 dB Compression Point (RF1/RF2 to RF3/RF4)	$P_{0.1dB}$		+37		dBm	0.7 to 3.8 GHz
2 nd Harmonic (RF1/RF2 to RF3/RF4)	2fo		-50		dBm	fo = 824 to 915 MHz, P _{IN} = +35 dBm
3 rd Harmonic (RF1/RF2 to RF3/RF4)	3fo		-50		dBm	
Switching on time			2	5	μs	50% VCTL to 90% RF
Switching off time			2	5	μs	50% VCTL to 10% RF
Startup time			10		μs	Power off state to any RF switch state

Absolute Maximum Ratings
Table 5. Maximum ratings

Parameters	Symbol	Minimum	Maximum	Units
Supply voltage	V_{DD}	+1.8	+3.6	V
Digital control voltage	V_{CTL}	-0.3	+3.3	V
RF input power	P_{IN}		+40	dBm
Operating temperature	T_{OP}	-30	+85	°C
Storage temperature	T_{STG}	-55	+150	°C
Electrostatic Discharge Human body model (HBM), Class 2	ESD_HBM		2000	V
Machine Model (MM), Class B	ESD_MM		200	
Charged device model (CDM), Class III	ESD_CDM		500	

Note: Exposure to maximum rating conditions for extended periods may reduce device reliability. There is no damage to device with only one parameter set at the limit and all other parameters set at or below their nominal value. Exceeding any of the limits listed here may result in permanent damage to the device

Package Outline Dimension

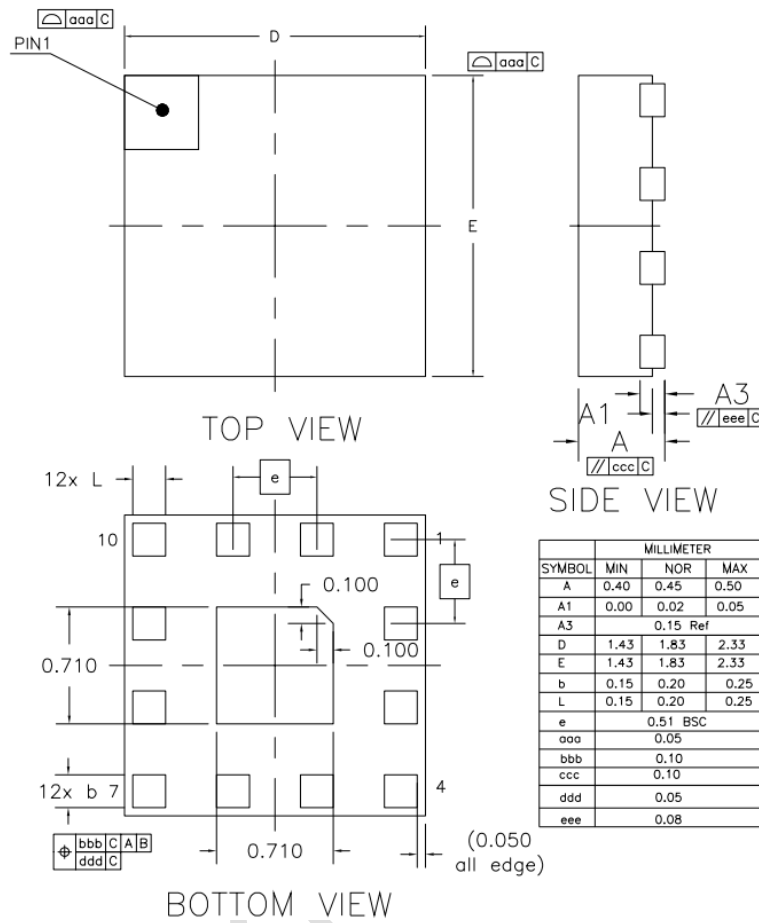


Figure 4. package outline dimension

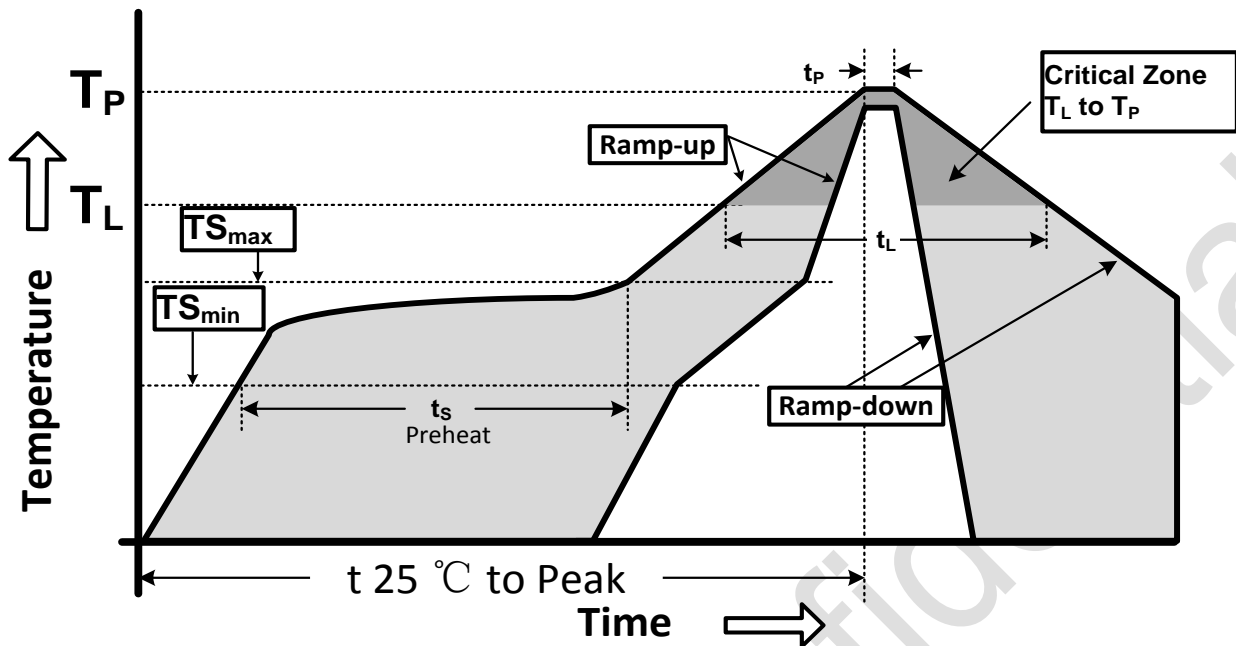
Reflow Chart


Figure 5. Recommended Lead-Free Reflow Profile

Table 6 Reflow condition

Profile Parameter	Lead-Free Assembly, Convection, IR/Convection
Ramp-up rate ($T_{S_{max}}$ to T_P)	3°C/second max.
Preheat temperature ($T_{S_{min}}$ to $T_{S_{max}}$)	150°C to 200°C
Preheat time (t_s)	60 - 180 seconds
Time above T_L , 217°C (t_L)	60 - 150 seconds
Peak temperature (T_P)	260°C
Time within 5°C of peak temperature(t_p)	20 - 40 seconds
Ramp-down rate	6°C/second max.
Time 25°C to peak temperature	8 minutes max.

ESD Sensitivity

Integrated circuits are ESD sensitive and can be damaged by static electric charge. Proper ESD protection techniques should be used when handling these devices.

RoHS Compliant

This product does not contain lead, mercury, cadmium, hexavalent chromium, polybrominated biphenyls (PBB) and polybrominated diphenyl ethers (PBDE), and are considered RoHS compliant.