

Features

- CMOS Technology
- +/-15 Volt Output Driver Supply Voltage
- Drives Segment or Active Matrix Displays
- 4-Level Gray Scale
- 25MHz Clock Frequency
- Bidirectional Data Transfer
- Selectable Register Length
- 2.7V to 5.5V Logic Supply Voltage
- Cascadable

Ordering Information

Part	Description
MXEI1480WB	Gold Bumped Die / Waffle Pack
MXEI1480WB	Gold Bumped Die / Wafer Form
MXEI1480TC	70mm Wide Tape Carrier



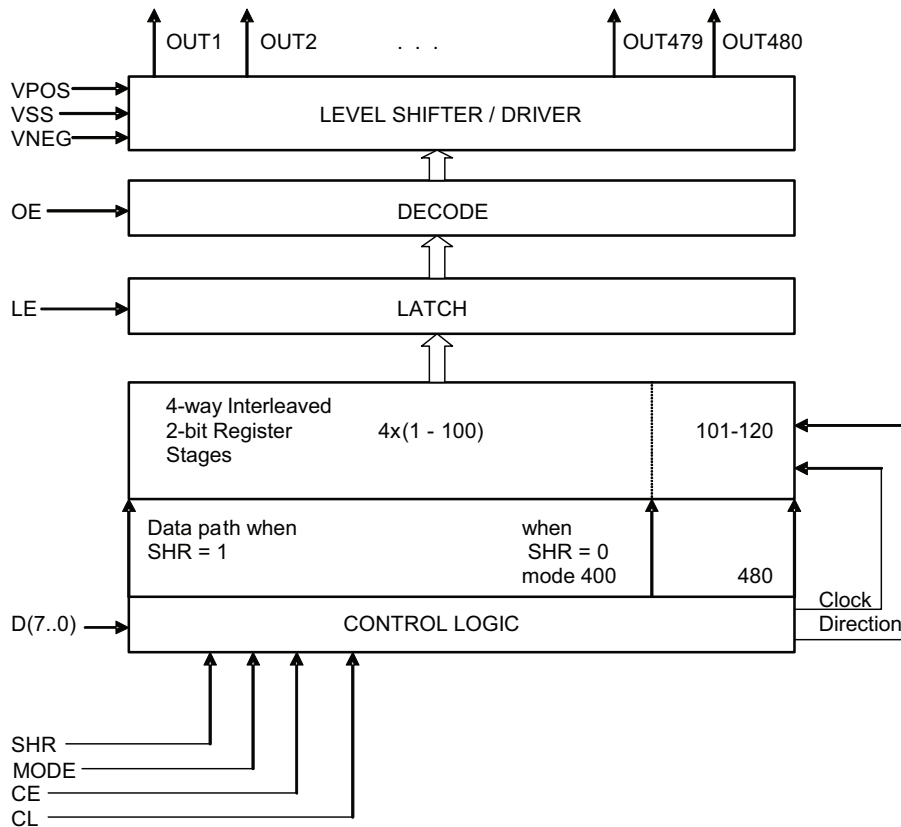
Description

The MXEI1480 is a selectable 400 or 480 bit long, 2-bit wide, serial-input parallel-output digital shift register with level conversion on each parallel output. The device converts the 2 digital bits into V_{POS} , V_{SS} , or V_{NEG} analog output voltages. An 8-bit input bus simultaneously inputs 4 groups of 2 bits each.

The MXEI1480 consists of a selectable length Bidirectional Input Register, Transfer Latch, and 480 bit Level Shifter / Output Driver. Each OUT pin is switched to one of [V_{SS} , V_{POS} , V_{NEG}] according to the D0...D7 logic levels clocked into the MXEI1480, modified by the OE pin.

The MXEI1480 is designed to operate over a temperature range of -40°C to $+85^{\circ}\text{C}$, and is available as Gold Bumped Die in Waffle Pack, Gold Bumped Die in Wafer Form, and 70mm Wide Tape Carrier.

Figure 1. Functional Block Diagram



[Click here to request a full data sheet](#)

IXYS Integrated Circuits Division provides its clients and potential customers with the best and most complete data and specifications possible, which might include proprietary information. Therefore, we require that the linked form be completed in order to request a comprehensive datasheet.

If you have special requests or if you don't see the data sheet you need, please feel free to ask in the Notes section of the form, or simply call us.

We do not share your information with anyone, and you will not receive unsolicited email.

For additional information please visit www.ixysic.com

IXYS Integrated Circuits Division makes no representations or warranties with respect to the accuracy or completeness of the contents of this publication and reserves the right to make changes to specifications and product descriptions at any time without notice. Neither circuit patent licenses or indemnity are expressed or implied. Except as set forth in IXYS Integrated Circuits Division's Standard Terms and Conditions of Sale, IXYS Integrated Circuits Division assumes no liability whatsoever, and disclaims any express or implied warranty relating to its products, including, but not limited to, the implied warranty of merchantability, fitness for a particular purpose, or infringement of any intellectual property right.

The products described in this document are not designed, intended, authorized, or warranted for use as components in systems intended for surgical implant into the body, or in other applications intended to support or sustain life, or where malfunction of IXYS Integrated Circuits Division's product may result in direct physical harm, injury, or death to a person or severe property or environmental damage. IXYS Integrated Circuits Division reserves the right to discontinue or make changes to its products at any time without notice.

Specification: PB-MXEI1480-January 21, 2014
©Copyright 2014, IXYS Integrated Circuits Division
All rights reserved. Printed in USA.
1/21/2014