

MXO5080 Series

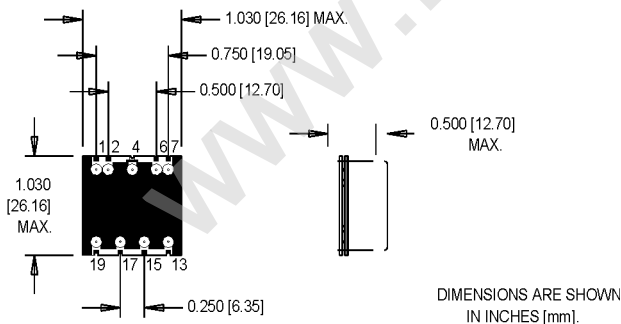
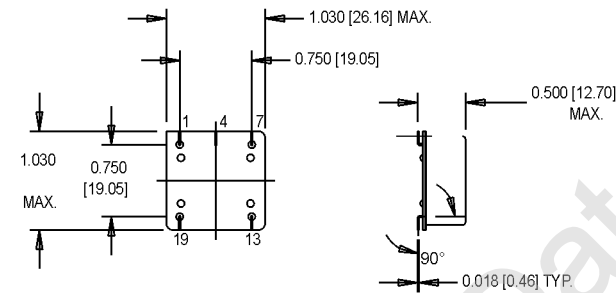
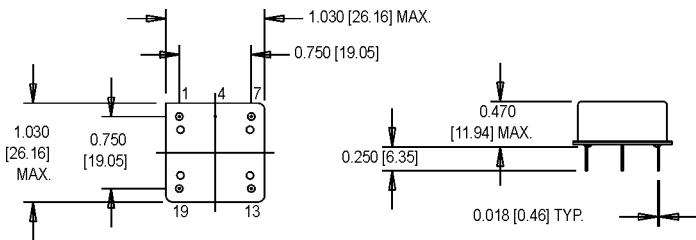
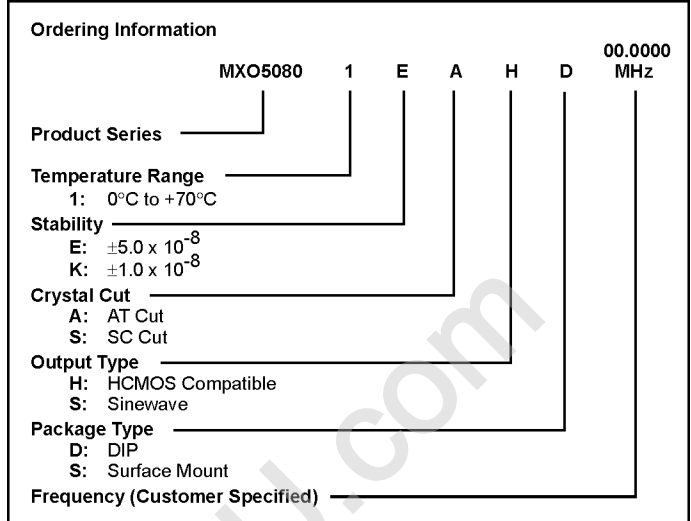
1x1 in., 5.0 Volt, HCMOS/Sinewave, OCXO



	S	E	K
T		A	S

A = AT Cut
S = SC Cut

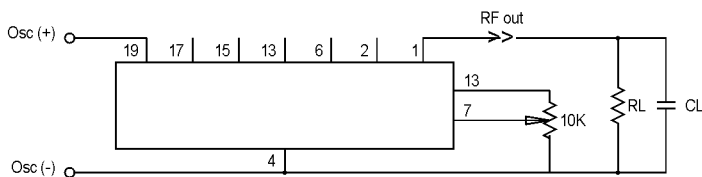
- Surface mount package offering both AT and SC cut crystals
- Ideal for microwave radios (short haul), base stations, and test equipment applications where size and package style (SMT) are critical



PARAMETER	SC-cut	AT-cut
	Frequency Range	10 MHz
Temperature Range	0°C to +70°C	0°C to +70°C
Temperature Stability	$\pm 1.0 \times 10^{-8}$	$\pm 5.0 \times 10^{-8}$
Supply Voltage	+5 Vdc $\pm 5\%$	+5 Vdc $\pm 5\%$
Aging Over 1 Year	$\pm 5.0 \times 10^{-8}$	$\pm 2.0 \times 10^{-7}$
Aging Per Day	$< \pm 5.0 \times 10^{-10}$	$\pm 1.0 \times 10^{-9}$
Frequency Adjustment	$\pm 2.0 \times 10^{-6}$	$\pm 4.0 \times 10^{-6}$
Power Consumption @ 25°C steady state	1.25 watt	
Warm-up Power	4.0 watt	
Warm-up Time @ 25°C	to within 1.0×10^{-7} of Fo in 2 min	
Voltage Control Range	0 to 4 V	
Slope	Positive	
Reference Output	3.9 V	
Phase Noise		
1 Hz	-90 dBc/Hz	-80 dBc/Hz
10 Hz	-120 dBc/Hz	-115 dBc/Hz
100 Hz	-140 dBc/Hz	-140 dBc/Hz
1 kHz	-145 dBc/Hz	-145 dBc/Hz
10 kHz	-145 dBc/Hz	-145 dBc/Hz

Pin Connections

PIN	FUNCTION
1	RF Output
2	N/C
4	Case Ground & Supply Return
6	N/C
7	Frequency Adjust or Vref
13	Vref (Optional)
15	N/C
17	Oven Ready (Optional)
19	Supply (+)



M-tron reserves the right to make changes to the product(s) and service(s) described herein without notice. No liability is assumed as a result of their use or application. No rights under any patent accompany the sale of such product.

M-tron Industries, Inc., PO Box 630, Yankton, SD 57078-0630, USA Phone: 605-665-9321 or 1-800-762-8800 Fax: 605-665-1709 Website: www.mtron.com
M-tron Industries Limited, 1104 Shanghai Industrial Investment Building, 48-62 Hennessy Road, Wanchai, Hong Kong, China Phone: 852-2866-8023 Fax: 852-2529-1822