

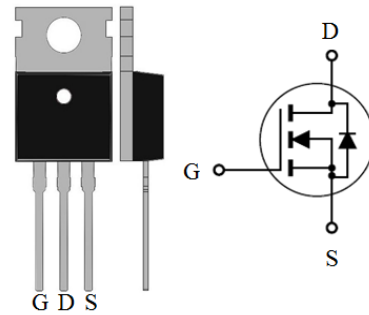
40V N-Channel MOSFET
Applications:

- Power Supply
- DC-DC Converters
- DC-AC Inverters

V_{DS}	$R_{DS(ON)}(MAX)$	I_D
40V	3m Ω	170A

Features:

- Lead Free
- Low $R_{DS(ON)}$ to Minimize Conductive Loss
- Low Gate Charge for Fast Switching Application
- Optimized $V_{(BR)DSS}$ Ruggedness



TO220 Pin Definition and Inner Circuit

Ordering Information

Park Number	Package	Brand
MXP4004BTS	TO220	MXP

Absolute Maximum Ratings
 $T_c=25^{\circ}\text{C}$ unless otherwise specified

Symbol	Parameter	Value	Unit
V_{DSS}	Drain-to-Source Voltage	40	V
I_D	Continuous Drain Current	Silicon Limited	170
		Package Limited	80
I_{DM}	Pulsed Drain Current @ $V_{GS}=10\text{V}$	679	
P_D	Power Dissipation	231	W
V_{GS}	Gate-to-Source Voltage	+/-20	V
T_J and T_{stg}	Operating Junction and Storage Temperature Range	-55 to 175	$^{\circ}\text{C}$

Avalanche Characteristics
 $T_c=25^{\circ}\text{C}$ unless otherwise specified

Symbol	Parameter	Value	Unit
$E_{AS}^{\textcircled{1}}$	Single Pulse Avalanche Energy ($V_{DS}=20\text{V}$, $V_{GS}=10\text{V}$, $R_g=25\Omega$, $L=1\text{mH}$)	200	mJ
I_{AS}	Single Pulse Avalanche Current	Figure 9	A

Thermal Resistance

Symbol	Parameter	Max	Unit
$R_{\theta JC}$	Thermal Resistance, Junction-to-Case	0.65	$^{\circ}\text{C}/\text{W}$
$R_{\theta JA}$	Thermal Resistance, Junction-to-Ambient	62	$^{\circ}\text{C}/\text{W}$

 $\textcircled{1}$: Guarantee number.

40V N-Channel MOSFET
OFF Characteristics
 $T_J=25^{\circ}\text{C}$ unless otherwise specified

Symbol	Parameter	Min	Typ	Max	Unit	Test Conditions
$V_{(BR)DSS}$	Drain-to-Source Breakdown Voltage	40	-	-	V	$V_{GS}=0V, I_D=250\mu A$
I_{DSS}	Drain-to-Source Leakage Current	-	-	1	uA	$V_{DS}=32V, V_{GS}=0V$
		-	-	100		$V_{DS}=32V, V_{GS}=0V, T_J=125^{\circ}\text{C}$
I_{GSS}	Gate-to-Source Forward Leakage	-	-	100	nA	$V_{GS}=+20V$
	Gate-to-Source Reverse Leakage	-	-	100		$V_{GS}=-20V$

ON Characteristics
 $T_J=25^{\circ}\text{C}$ unless otherwise specified

Symbol	Parameter	Min	Typ	Max	Unit	Test Conditions
$R_{DS(ON)}$	Static Drain-to-Source On-Resistance	-	2.3	3.0	m Ω	$V_{GS}=10V, I_D=80A$
$V_{GS(th)}$	Gate Threshold Voltage	2	-	4	V	$V_{GS}=V_{DS}, I_D=250\mu A$

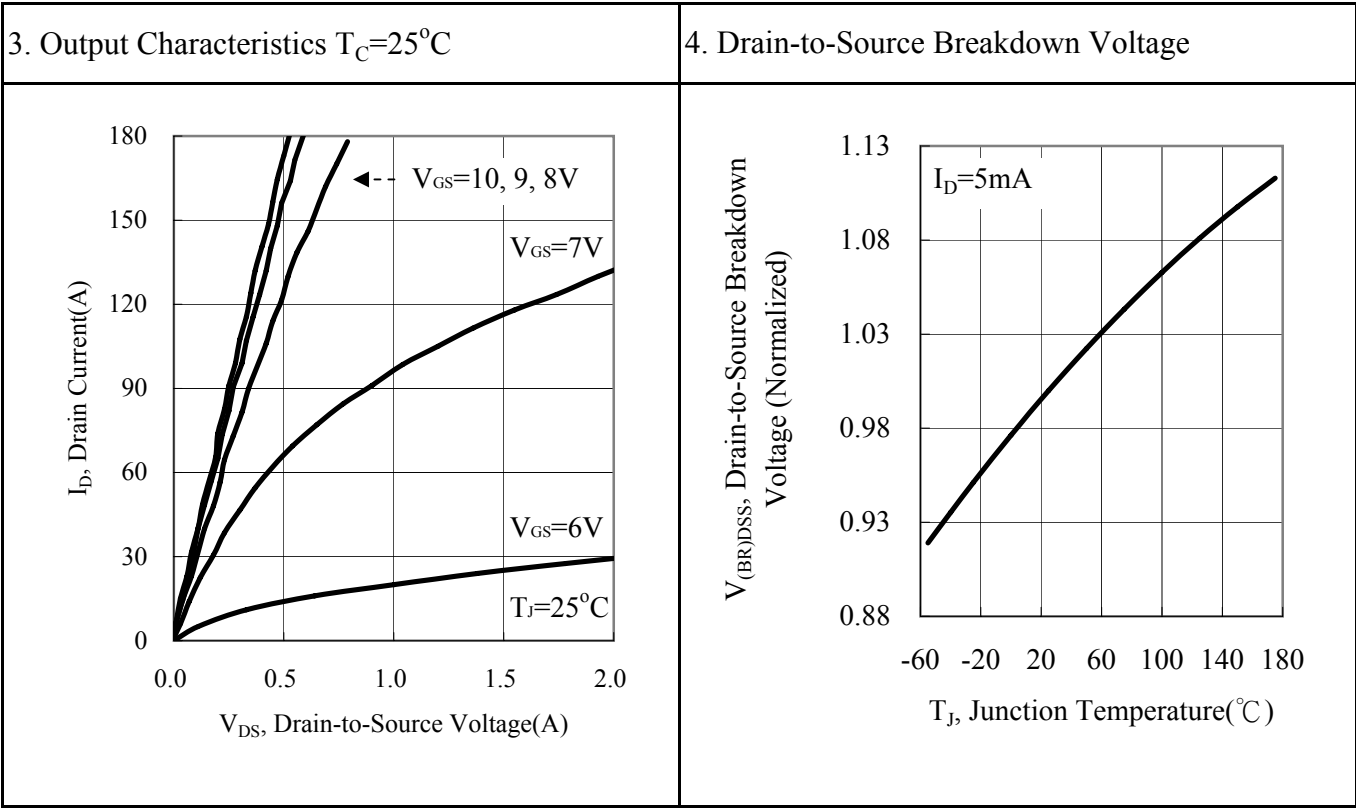
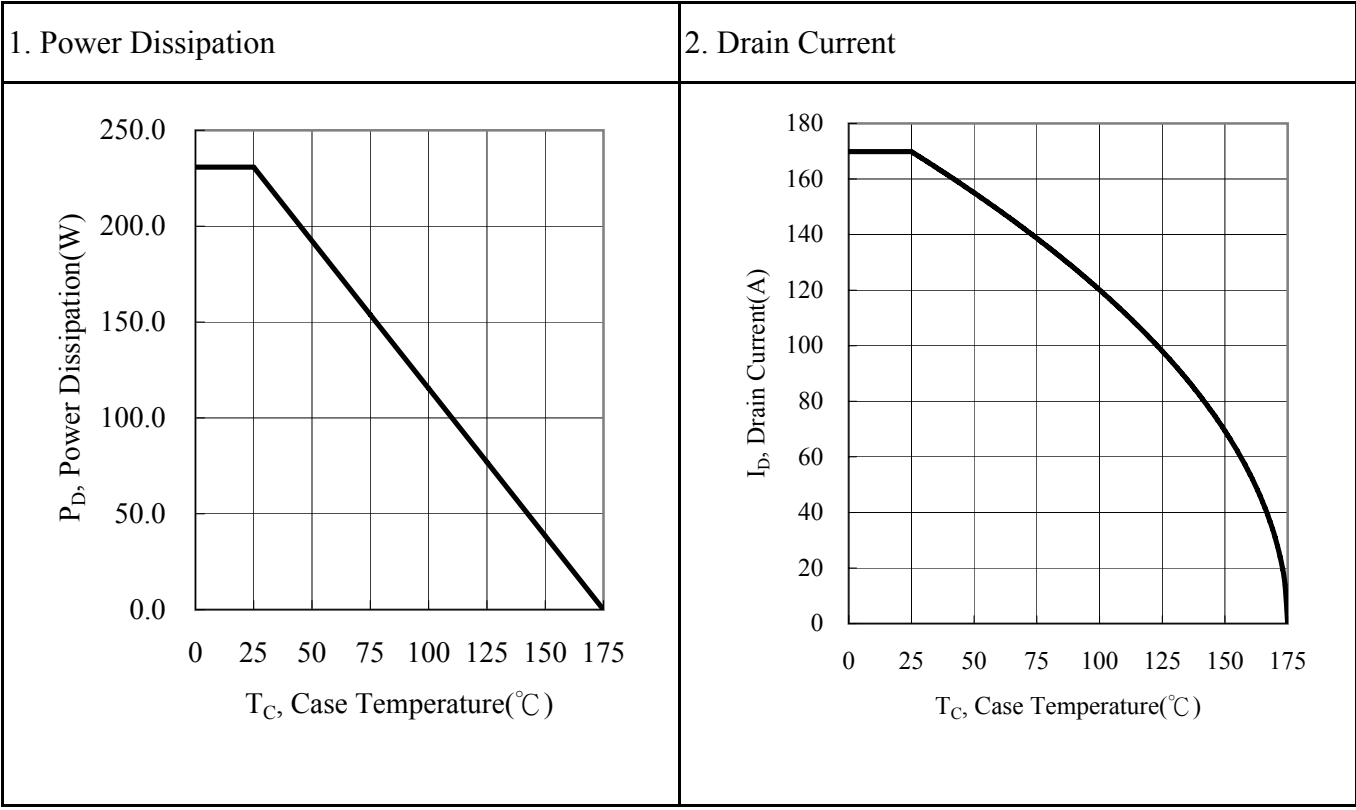
Dynamic Characteristics
 $T_J=25^{\circ}\text{C}$ unless otherwise specified

Symbol	Parameter	Min	Typ	Max	Unit	Test Conditions
C_{iss}	Input Capacitance	-	5016	-	pF	$V_{GS}=0V, V_{DS}=20V,$ $f=1.0\text{MHz}$
C_{oss}	Output Capacitance	-	787	-		
C_{rss}	Reverse Transfer Capacitance	-	292	-		
Q_g	Total Gate Charge	-	74	-	nC	$V_{DD}=20V, I_D=80A, V_{GS}=10V$
Q_{gs}	Gate-to-Source Charge	-	23	-		
Q_{gd}	Gate-to-Drain ("Miller") Charge	-	26	-		
$T_d(on)$	Turn-on Delay Time	-	18.7	-	ns	$V_{DD}=20V, I_D=40A,$ $V_{GS}=10V, R_G=10\Omega, R_L=0.5\Omega$
T_r	Rise Time	-	67.1	-		
$T_d(off)$	Turn-off Delay Time	-	48.8	-		
T_f	Fall Time	-	31	-		

Source-Drain Diode Characteristics
 $T_J=25^{\circ}\text{C}$ unless otherwise specified

Symbol	Parameter	Min	Typ	Max	Unit	Test Conditions
V_{SD}	Diode Forward Voltage	-	-	1.2	V	$I_S=80A, V_{GS}=0V$
T_{rr}	Reverse Recovery Time	-	51.6	-	ns	$I_S=80A, di/dt=100A/\mu s$
Q_{rr}	Reverse Recovery Charge	-	35.1	-	nC	

40V N-Channel MOSFET

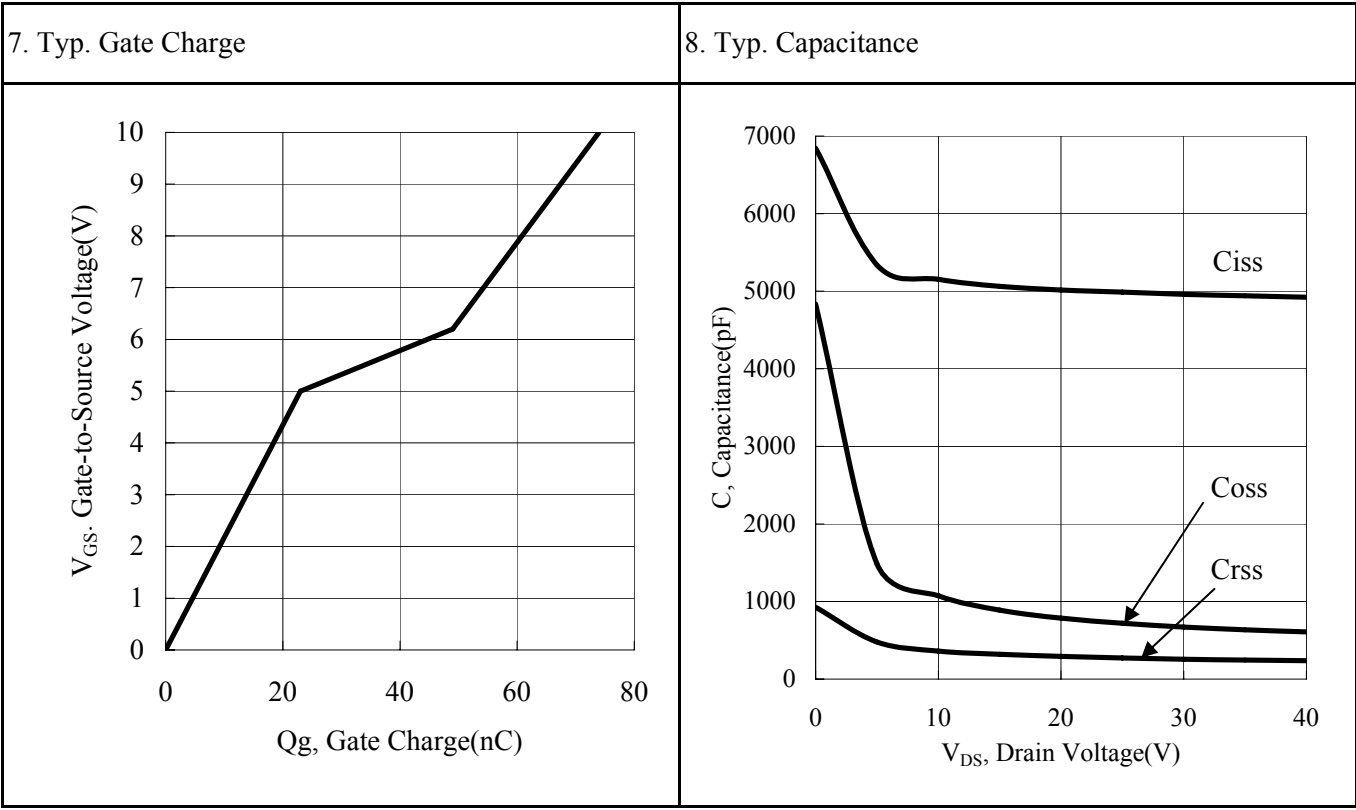
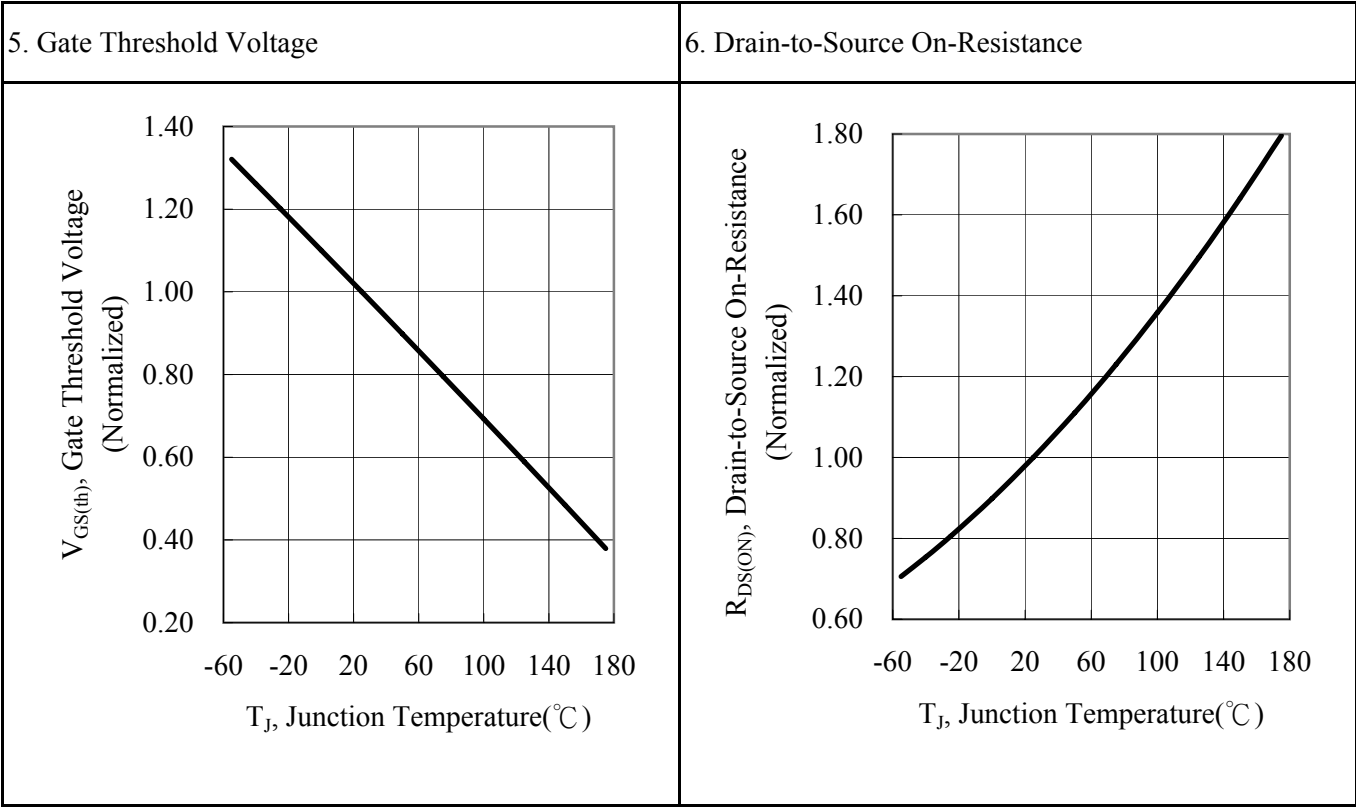


Published by MaxPower Semiconductor Inc.

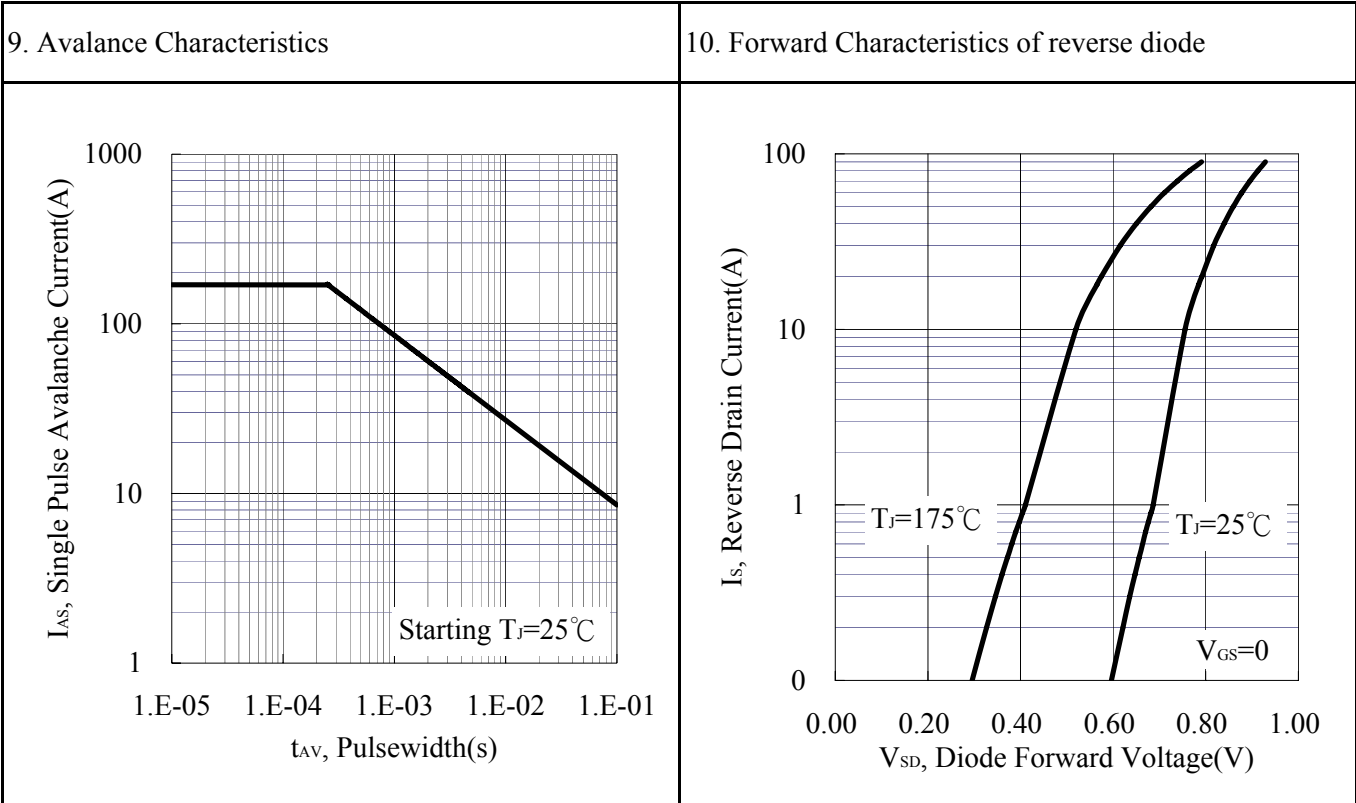
4800 Great America Parkway, Suite# 205, Santa Clara, CA 95054

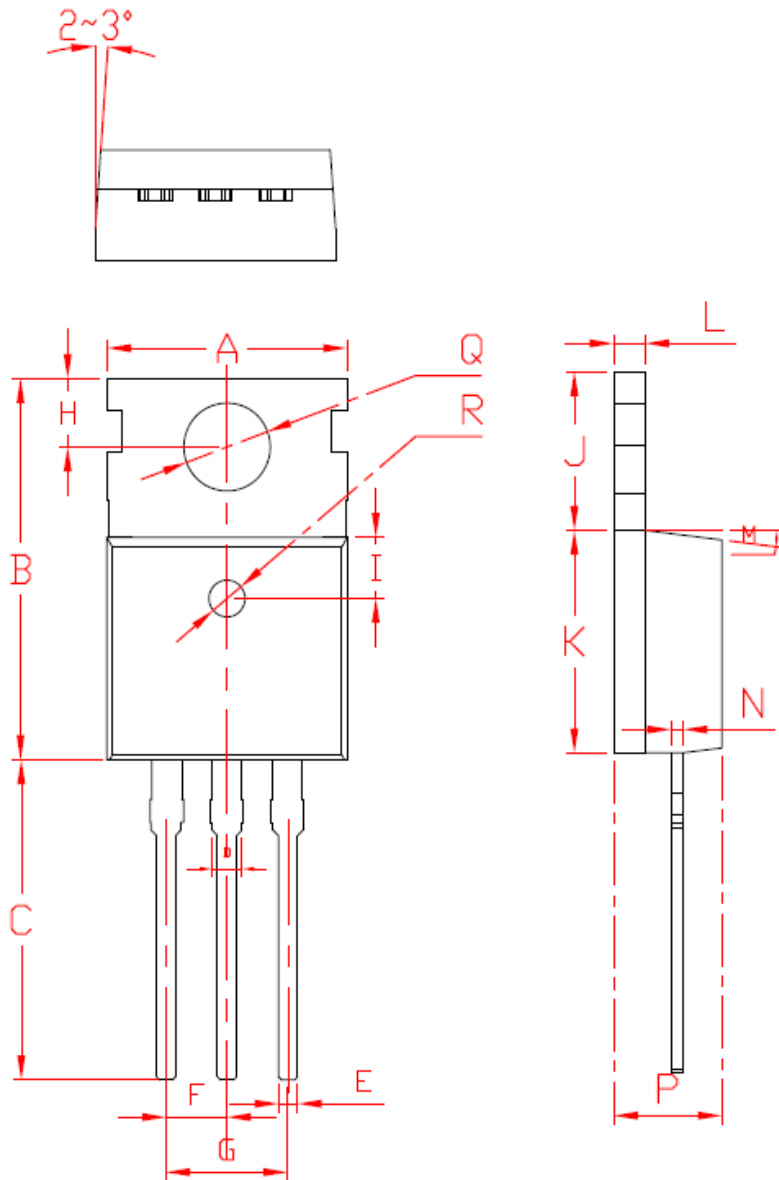
All Rights Reserved.

40V N-Channel MOSFET



40V N-Channel MOSFET



TO220
1. Outline Dimension


Symbol	A	B	C	D	E	F	G	H	I	J	K	L	M	N	O	P	Q	R
Min	9.8	15.4	12.75					2.73		6.4	9	1.29		0.48	2.35	4.4	3.5	1.4
Non	10	15.6	13.1	1.31	0.8	2.54	5.08	2.8	2.5	6.5	9.1	1.3	1.27	0.5	2.4	4.5	3.6	1.5
Max	10.2	15.8	13.17					2.87		6.6	9.2	1.32		0.56	2.5	4.7	3.63	1.6

UNIT : mm

Disclaimers:

MaxPower Semiconductor Inc. (MXP) reserves the right to make changes without notice in order to improve reliability, function or design and to discontinue any product or service without notice. Customers should obtain the latest relevant information before orders and should verify that such information is current and complete. All products are sold subject to MXP's terms and conditions supplied at the time of order acknowledgement.

MaxPower Semiconductor Inc., its affiliates, agents, and employees, and all persons acting on its or their behalf, disclaim any and all liability for any errors, inaccuracies or incompleteness contained herein or in any other disclosure relating to any product.

MaxPower Semiconductor Inc. disclaims any and all liability arising out of the use or application of any product described herein or of any information provided herein to the maximum extent permitted by law. The product specifications do not expand or otherwise modify MXP's terms and conditions of purchase, including but not limited to the warranty expressed therein, which apply to these products.

MaxPower Semiconductor Inc. warrants performance of its hardware products to the specifications at the time of sale, testing, reliability and quality control are used to the extent MXP deems necessary to support this warrantee. Except where agreed upon by contractual agreement, testing of all parameters of each product is not necessarily performed.

MaxPower Semiconductor Inc. does not assume any liability arising from the use of any product or circuit designs described herein. Customers are responsible for their products and applications using MXP's components. To minimize risk, customers must provide adequate design and operating safeguards.

MaxPower Semiconductor Inc. does not warrant or convey any license to any intellectual property rights either expressed or implied under its patent rights, nor the rights of others. Reproduction of information in MXP's data sheets or data books is permissible only if reproduction is without modification or alteration. Reproduction of this information with any alteration is an unfair and deceptive business practice.

MaxPower Semiconductor Inc. is not responsible or liable for such altered documentation. Resale of MXP's products with statements different from or beyond the parameters stated by MaxPower Semiconductor Inc. for that product or service voids all express or implied warranties for the associated MXP product or service and is an unfair and deceptive business practice. MaxPower Semiconductor Inc. is not responsible or liable for any such statements.