

2.7W/CH STEREO FILTER-FREE CLASS-D AUDIO POWER AMPLIFIER

GENERAL DESCRIPTION

The my8008 is a stereo class-D filter-free audio power amplifier IC. With BTL(Bridge-Tied-Load) configuration, it delivers up to 2.7W/ch(5.4W in all) into a 3 ohm load or 2.3W/ch(4.6W in all) into a 4 ohm load or 1.5W/ch(3W in all) into an 8 ohm load. No external heat-sink is required.

For multiple-input applications, independent gain control and corner frequency can be implemented by summing the input sources through resistor ratio and input capacitor values.

Automatic voltage gain control makes the best use of battery.

Analog input signal is converted into digital output which drives directly to the speaker. High power efficiency is achieved due to digital output at the load. The audio information is embedded in PWM(Pulse Width Modulation).

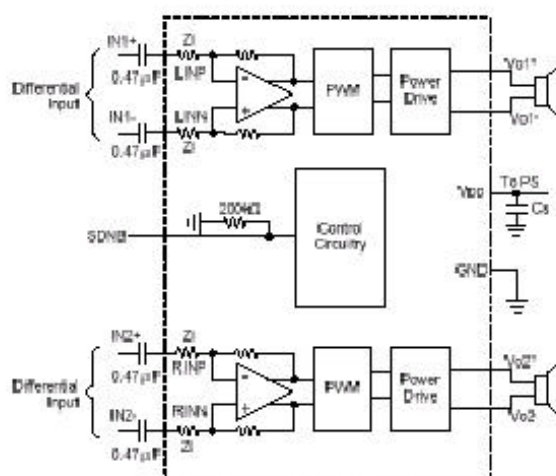
FEATURES

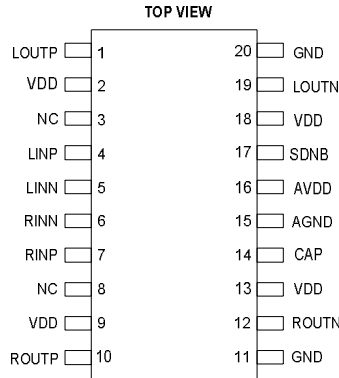
- ◆ 2.5V to 5.5V Single Supply
- ◆ Up to 2.7W / Ch at 5V, 3 ohms
- ◆ Up to 85% Power Efficiency
- ◆ Automatic output power control (APC)
- ◆ 2.2mA / Ch Quiescent Current at 5V
- ◆ Less Than 0.2uA / Ch Shutdown Current
- ◆ Pop-less Power-Up, Shutdown and Recovery
- ◆ Differential 250 KHz PWM Allows Bridge-Tied Load to Double Output Power and Eliminates LC Output Filter
- ◆ Thermal Shutoff and Automatic Recovery
- ◆ Short-Circuit Protection
- ◆ Differential Signal Processing Improves CMRR

APPLICATIONS

Multimedia application includes Cellular Phones, PDAs, DVD/CD players, TFT LCD TVs/Monitors, 2.1 channel/5.1 channel audio systems, USB audio. It is also ideal for other portable devices like Wireless Radios.

REFERENCE CIRCUIT (Please refer to MY8008.APP for application)



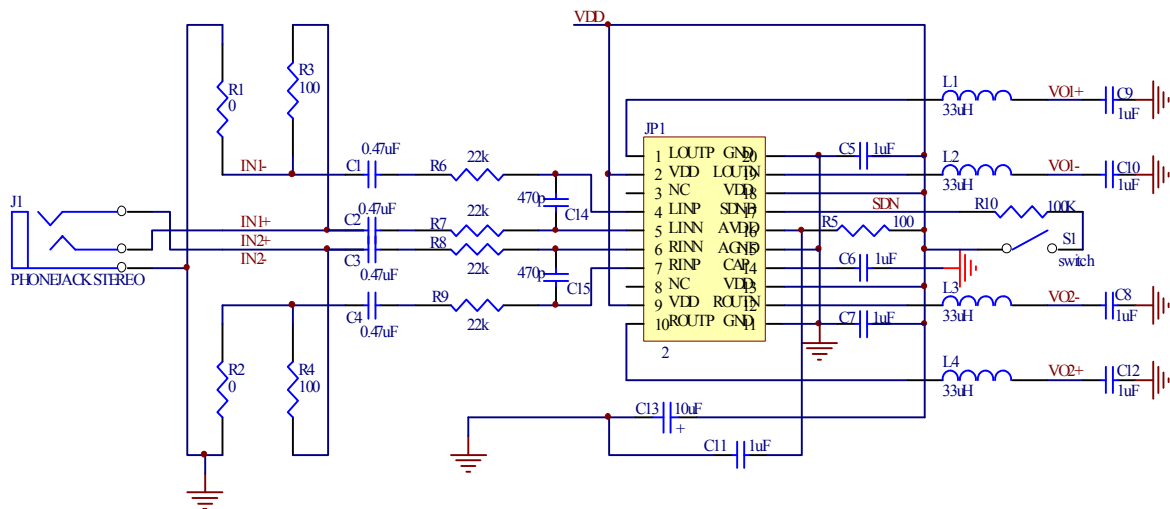


).

reserves the right to make corrections, modifications, enhancements, improvements, and other changes to its products and services at any time and to discontinue any product or service without notice. Customers are responsible for their products and applications using components.

Note that the external components or PCB layout should be designed not to generate abnormal voltages to the chip to prevent from latch up which may cause damage to the device.

Typical Application



ABSOLUTE MAXIMUM RATINGS

Over operating free-air temperature range unless otherwise noted(1)

Supply voltage, V _{DD} , AV _{DD}	In normal mode	-0.3V to 6V	V
	In shutdown mode	-0.3V to 7V	V
Input voltage, V _I		-0.3V to V _{DD} +0.3V	V
Continuous total power dissipation		See package dissipation ratings	
Operating free-air temperature, T _A		-20 to 85	°C
Operating junction temperature, T _J		-20 to 150	°C
Storage temperature, T _{stg}		-40 to 150	°C

(1) Stresses beyond those listed under "absolute maximum ratings" may cause permanent damage to the device. These are stress ratings only, and functional operation of the device at these or any other conditions beyond those indicated under "recommended operating conditions" is not implied. Exposure to absolute-maximum-rated conditions for extended periods may affect device reliability.

RECOMMENDED OPERATING CONDITONS

		MIN	NOM	MAX	UNIT
Supply voltage, V _{DD} , AV _{DD}		2.5		5.5	V
High-level input voltage, V _{IH}	SDNB	2		V _{DD}	V
Low-level input voltage, V _{IL}	SDNB	0		0.8	V
Operating free-air temperature, T _A		-20		85	°C

PACKAGE DISSIPATION RATINGS

PACKAGE	DERATING FACTOR	T _A ≤ 25 °C POWER RATING	T _A = 70 °C POWER RATING	T _A = 85 °C POWER RATING
TSSOP20	8.73 mW/°C	1.09W	698mW	567mW

ELECTRICAL CHARACTERISTICST_A=25 °C (unless otherwise noted)

PARAMETER		TEST CONDITIONS	MIN	TYP	MAX	UNIT
V _{OS}	Output offset voltage (measured differentially)	V _I =0V, A _V =2, V _{DD} =AV _{DD} =2.5V to 5.5V		25		mV
PSRR	Power supply rejection ratio	V _{DD} =AV _{DD} =2.5V to 5.5V		-75	-55	dB
CMRR	Common mode rejection ratio	V _{DD} =AV _{DD} =2.5V to 5.5V, V _{IC} =1V _{pp} , R _L =8Ω		-55	-50	dB
I _{IH}	High-level input current	V _{DD} =AV _{DD} =5.5V, V _I =5.8V (SDNB)		30		μA
I _{IL}	Low-level input current	V _{DD} =AV _{DD} =5.5V, V _I =-0.3V (SDNB)			1	μA
I _Q	Quiescent current / Ch	V _{DD} =AV _{DD} =5V, no load		2.2	3	mA
I _Q (SD)	Shutdown current / Ch	V _I (SDN)=0.8V, V _{DD} =AV _{DD} =2.5V to 5.5V		0.2	0.5	μA
r _{DS(on)}	Static output resistance	V _{DD} =AV _{DD} =5.5V		790		mΩ
f _(sw)	Switching frequency	V _{DD} =AV _{DD} =2.5V to 5.5V	200	250	300	kHz
*A _v	BTL Gain	V _{DD} =AV _{DD} =2.5V to 5.5V, R _L =8Ω	12	16	20	$\frac{V}{V}$
R _{SDN}	Resistance from shutdown to GND	V(SDNB)=5V		200		kΩ
Z _I	Input impedance	R _{INN} , R _{INP} , L _{INN} , L _{INP}		20		kΩ

*The gain of the amplifier is determined by, for V_{DD}=V_{D_{DA}}=2.5V to 5.5V

$$\text{Gain} = \frac{320\text{kohms}}{R_i + 20\text{kohms}} \quad \text{where } R_i \text{ is the external serial resistance at the input pin.}$$

OPERATING CHARACTERISTICST_A=25 °C, R_L=8Ω speaker (unless otherwise noted)

PARAMETER		TEST CONDITIONS		MIN	TYP	MAX	UNIT
P _o	Output power / Ch	R _L =8Ω	V _{DD} =AV _{DD} =5V. THD+N=10%,f=1kHz.	1.5		W	
		R _L =4Ω		2.3		W	
		R _L =3Ω		2.7		W	
THD+N	Total harmonic distortion plus noise	V _{DD} =AV _{DD} =5V, P _O =0.85W, R _L =8Ω, f=1kHz		0.55		%	
		V _{DD} =AV _{DD} =5V, P _O =1.3W, R _L =4Ω, f=1kHz		0.55			
		V _{DD} =AV _{DD} =5V, P _O =1.5W, R _L =3Ω, f=1kHz		0.64			
SNR	Signal-to-noise ratio	V _{DD} =AV _{DD} =5V, P _O =1W, R _L =8Ω		85		dB	
Crosstalk	Crosstalk between outputs	V _{DD} =AV _{DD} =5V, P _O =1W R _L =8Ω		-60		dB	

TERMINAL FUNCTIONS

TERMINAL		I/O	DESCRIPTION
NAME	PIN NO		
AGND	15	-	Analog ground
AV _{DD}	16	-	Analog Power supply
CAP	14	I	Capacitance for power up delay
GND	11,20	-	Digital ground
LINN	5	I	Negative input of left channel
LINP	4	I	Positive input of left channel
LOUTN	19	O	Negative output of left channel
LOUTP	1	O	Positive output of left channel
NC	3,8	-	No Connection
RINN	6	I	Negative input of right channel
RINP	7	I	Positive input of right channel
ROUTN	12	O	Negative output of right channel
ROUTP	10	O	Positive output of right channel
SDNB	17	I	Shutdown terminal (active low logic)
V _{DD}	2,9,13,18	-	Digital Power supply

TYPICAL CHARACTERISTICS

Note 1. Input coupling 1μF capacitors are used for all measurements.

- Differential inputs are applied and BTL outputs are measured.
- Balanced LC filter is used for THD+N measurement and power efficiency measurement.
- Characteristic frequency of the LC filter is set 41KHz unless otherwise specified.

APPLICATION INFORMATION

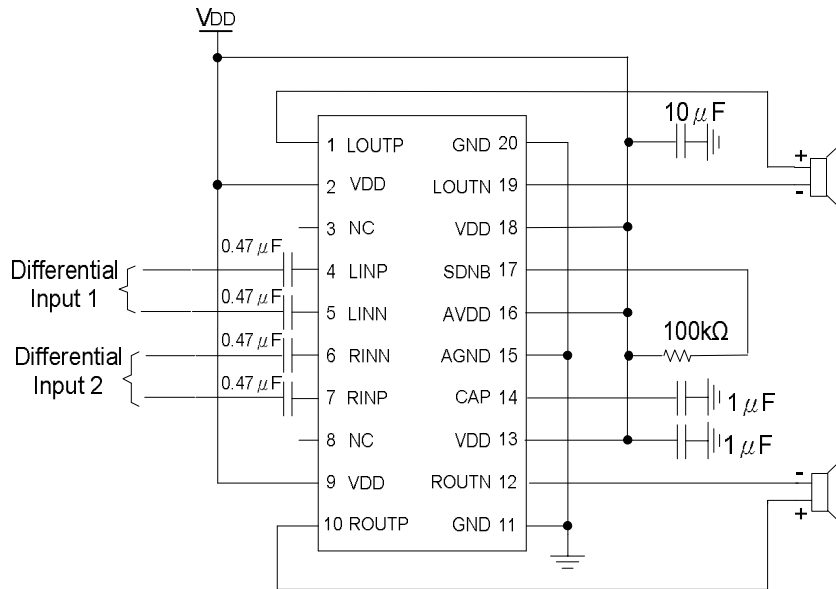


Figure.1 Differential Input With Gain = $\frac{320k}{20k} = 16$

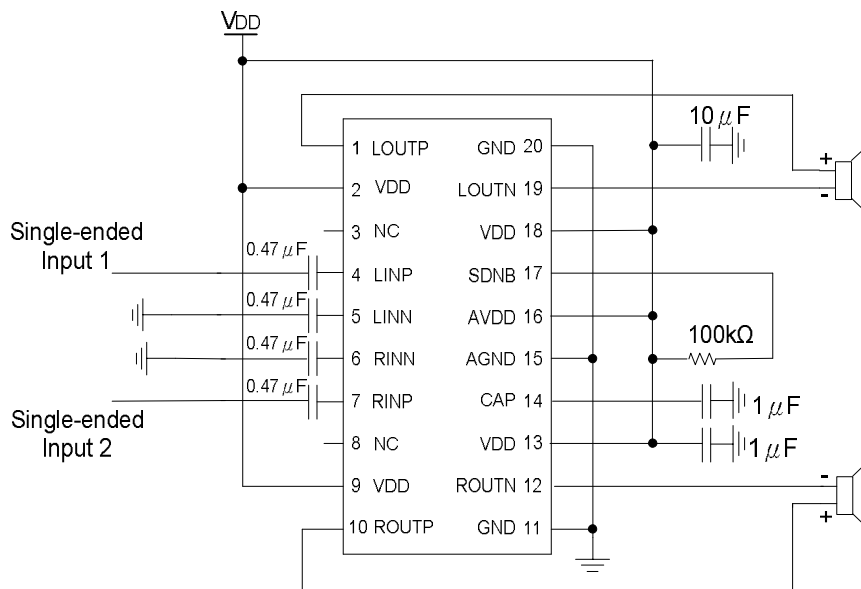


Figure.2 Single-ended Input With Gain = $\frac{320k}{20k} = 16$

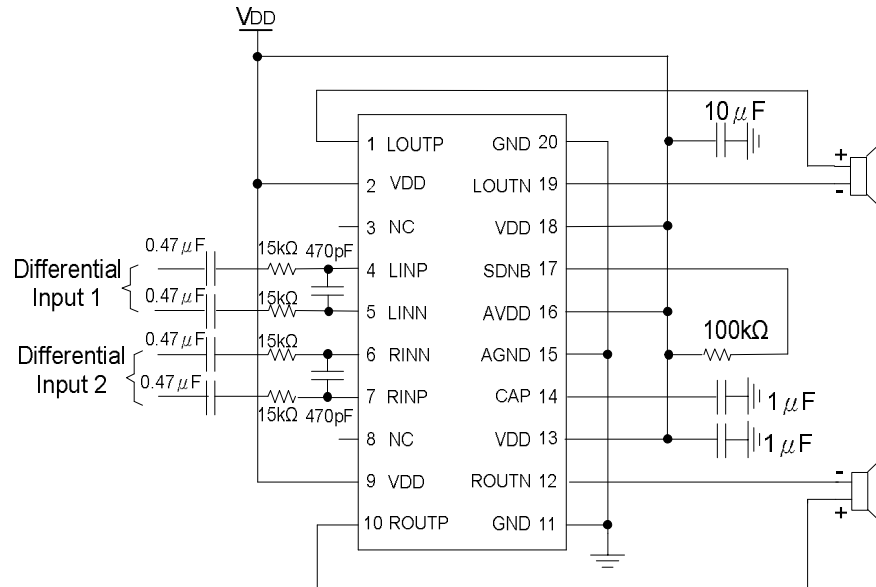


Figure.3 Differential Input With Gain = $\frac{320k}{20k+15k} = 9.1$

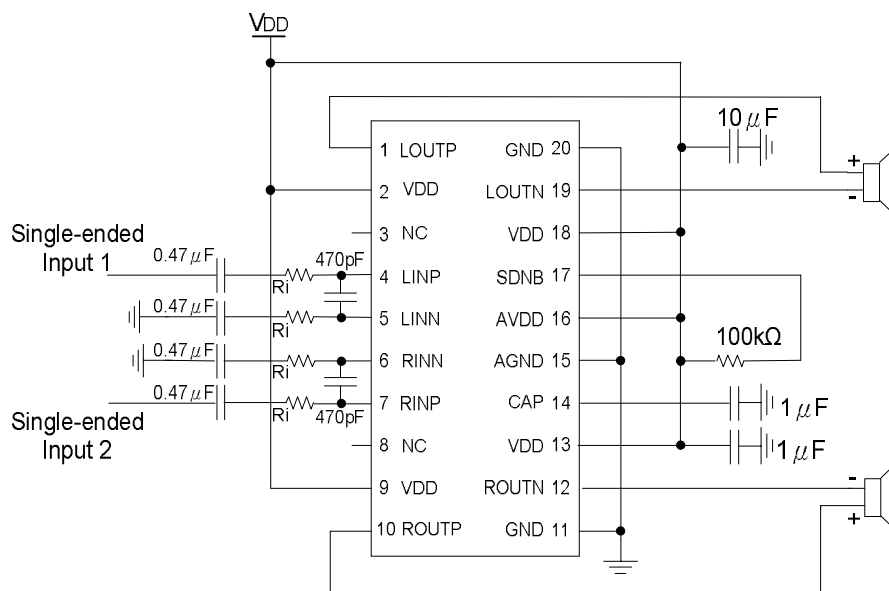


Figure.4 Single-ended Input With Gain = $\frac{320k}{20k+Ri}$

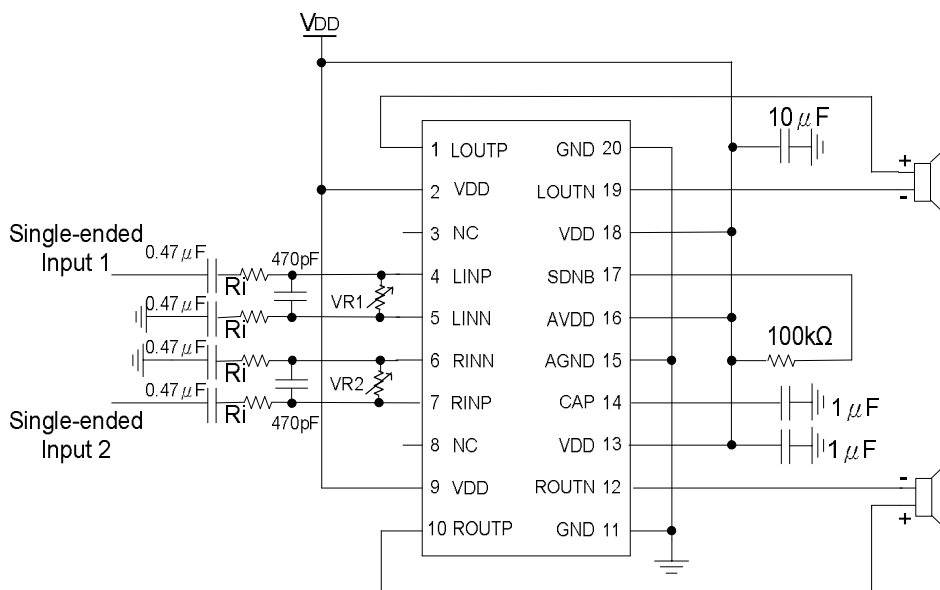


Figure.5 Single-ended Input With Gain Control

I Input Resistors and Gain

The gain of the amplifier is determined by, for $VDD=VDDA=2.5V$ to $5.5V$

$$\text{Gain} = \frac{320\text{kohms}}{R_i + 20\text{kohms}} \quad \text{where } R_i \text{ is the external serial resistance at the input pin.}$$

Note : Please refer to document 010 APP for more application examples.

DETAILED DESCRIPTION

Efficiency

The output transistors of a class D amplifier act as switches. The power loss is mainly due to the turn on resistance of the output transistors when driving current to the load. As the turn on resistance is so small that the power loss is small and the power efficiency is high. With 8 ohm load the power efficiency can be better than 85%.

Shutdown

The shutdown mode reduces power consumption. A LOW at shutdown pin forces the device in shutdown mode and a HIGH forces the device in normal operating mode. Shutdown mode is useful for power saving when not in use. This function is useful when other devices like earphone amplifier on the same PCB are used but class D amplifier is not necessary.

Pop-less

A soft start capacitor can be added to the CAP pin. This capacitor introduces delay for the internal circuit to be stable before driving the load. The pop or click noise when power up/down or switching in between shutdown mode can be thus eliminated. The delay time is proportional to the value of the capacitance. It is about 500ms for a capacitor of 1uF at 5v.

Voltage gain

The voltage gain is defined in the table on page 3. For lower voltage gain one can add external input resistors to input pins. If external resistors are used they should be well matched. Well matched input resistors are also required even for single ended input configuration for low noise.

Automatic output Power Control (APC)

The voltage gain is self adjusted in the chip over voltage range. This means that, regardless supply voltage change, the output power keeps about the same for a given input level from $V_{DD}=5.5v$ to 2.5v. It allows the best use of the battery.

Differential input VS single ended input

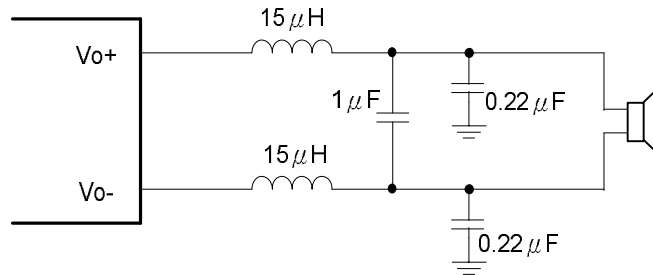
Differential input offers better noise immunity over single ended input. A differential input amplifier suppresses common noise and amplifies the difference voltage at the inputs. For single ended applications just tie the negative input end of the balanced input structure to ground. If external input resistors are used, the negative input has to be grounded with a series resistor of the same value as the positive input to reduce common noise.

Output filter

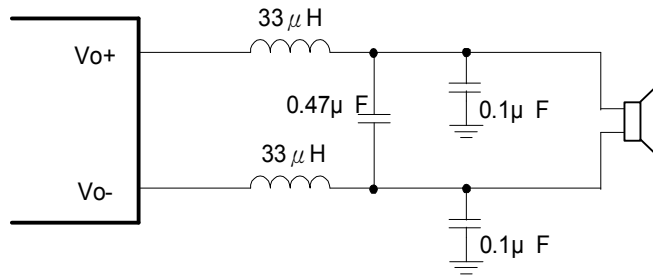
Ferrite bead filter can be used for EMI purpose. The ferrite filter reduces EMI around 1 MHz and higher (FCC and CE only test radiated emissions greater than 30 MHz). When selecting a ferrite bead, choose one with high impedance at high frequencies, but low impedance at low frequencies.

Use an LC output filter if there are low frequency (< 1 MHz) EMI sensitive circuits and/or there are long wires from the amplifier to the speaker. EMI is also affected by PCB layout and the placement of the surrounding components.

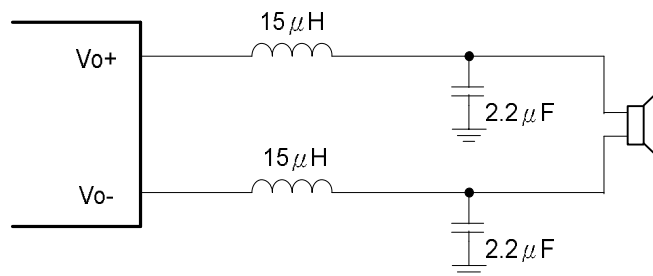
The suggested LC values for different speaker impedance are showed in following figures for reference.



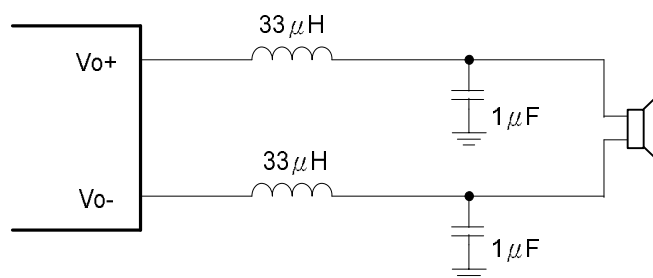
Typical LC Output Filter, Cutoff Frequency of 41 kHz,
Speaker Impedance= $3\ \Omega$ & $4\ \Omega$



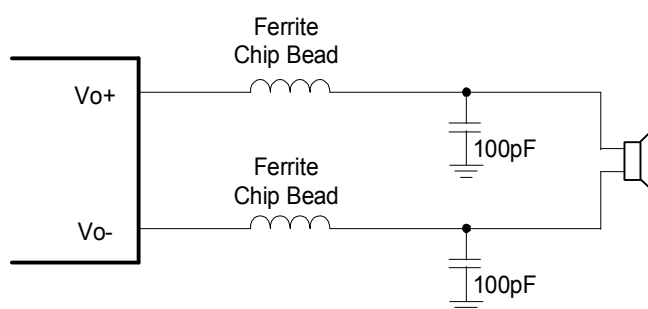
Typical LC Output Filter, Cutoff Frequency of 41 kHz,
Speaker Impedance= $8\ \Omega$



Other LC Output Filter, Speaker Impedance= $3\ \Omega$ & $4\ \Omega$



Other LC Output Filter Speaker Impedance=8Ω



Typical Ferrite Chip Bead Filter
 1kohms@100MHz, DCR=0.2ohms, I=1A)

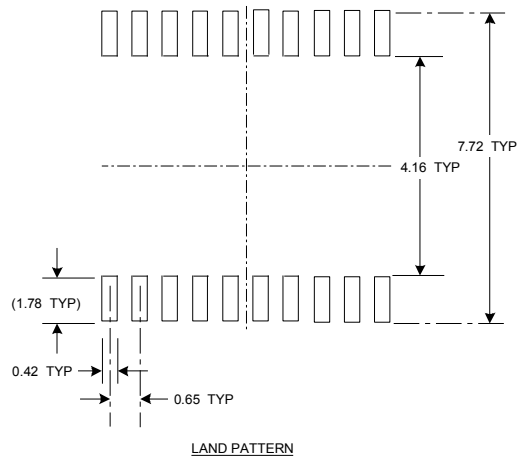
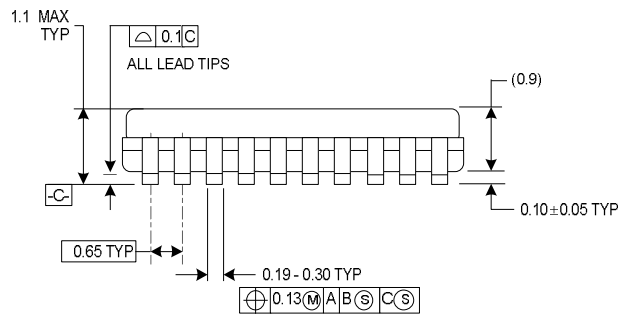
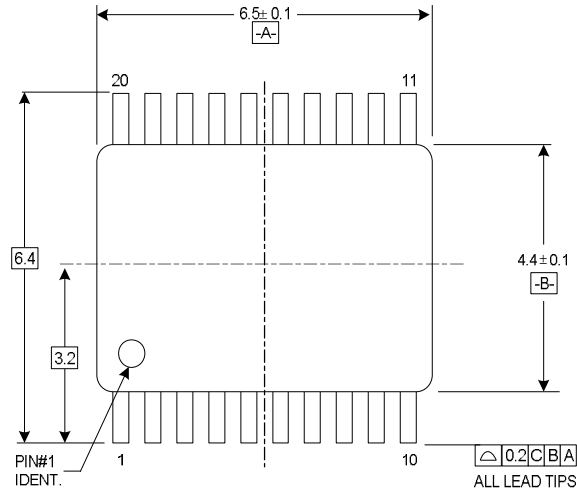
Over temperature protection

A temperature sensor is built in the device to detect the temperature inside the device. When a high temperature around 145°C and above is detected the switching output signals are disabled to protect the device from over temperature. Automatic recovery circuit enables the device to come back to normal operation when the internal temperature of the device is below around 120°C.

Over current protection

A current detection circuit is built in the device to detect the switching current of the output stages of the device. It disables the device when the current is beyond about 3.5amps. It protects the device when there is an accident short between outputs or between output and power/gnd pins. It also protects the device when an abnormal low impedance is tied to the output. High current beyond the specification may potentially causes electron migration and permanently damage the device. Shutdown or power down is necessary to resolve the protection situation. There is no automatic recovery from over current protection.

Physical Dimensions (IN MILLIMETERS)



D 類音頻功率放大器

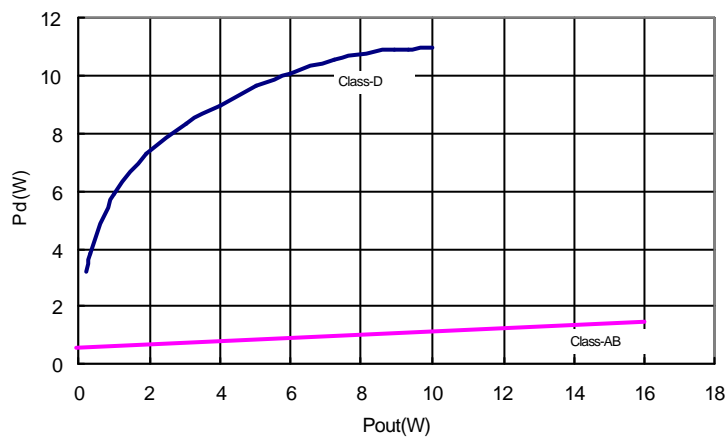
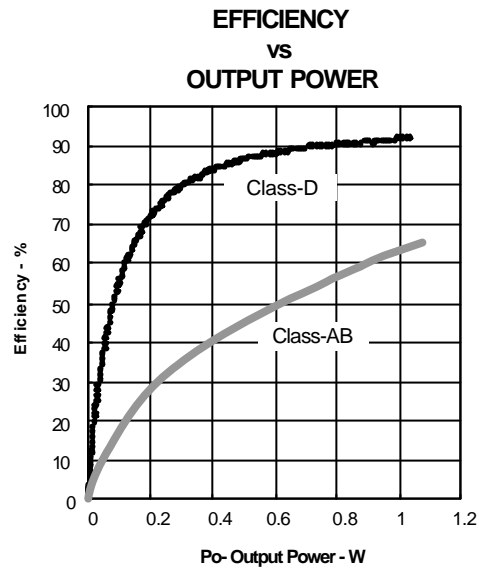
◆ 高效率功率放大

- 較少熱損失，節省散熱成本
- 較少能量損失，節省電源供應器成本
- 延長電池使用時間，適合可攜式產品

高效率功率放大



Class-D vs Class-AB



	Output Power	Power Eff	Total Power (Power Supply)	Heat
Class-AB	10W	40%	$10W / 40\% = 25W$	$25W - 10W = 15W$
Class-D	10W	90%	$10W / 90\% = 11.1W$	$11.1W - 10W = 1.1W$