

**Triple-Balanced Mixer**

**MY83H/MY83HC**

V2

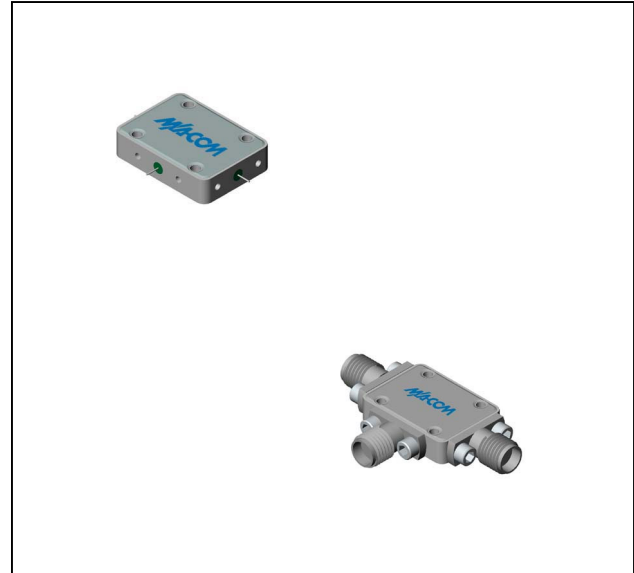
**Features**

- LO & RF 2.0 TO 18.0 GHz
- IF 0.03 TO 5.0 GHz
- LO DRIVE +20 dBm (NOMINAL)
- HIGH IP3 +24 dBm (TYP.)
- WIDE BANDWIDTH

**Description**

MY83H is a triple balanced mixer, designed for use in military, commercial and test equipment applications. The design utilizes Schottky ring quad diodes and broadband soft dielectric baluns to attain excellent performance. The use of high temperature solder assembly processes used internally makes it ideal for use in manual, semi-automated assembly. Environmental screening available to MIL-STD-883, MIL-STD-202 or MIL-DTL-28837, consult factory.

**Product Image**



**Ordering Information**

| Part Number | Package           |
|-------------|-------------------|
| MY83H       | Versapac          |
| MY83HC      | SMA Connectorized |

**Electrical Specifications:  $Z_0 = 50\Omega$   $Lo = +20$  dBm (Downconverter Application only)**

| Parameter  | Test Conditions   | Units | Typical | Guaranteed |               |
|--|---|-------|---------|------------|---------------|
|  |   |       |         | +25°C      | -54° to +85°C |
| SSB Conversion Loss (max) & SSB Noise Figure (max) | $fR = 2$ to 18 GHz, $fL = 2$ to 18 GHz, $fI = 0.03$ to 5 GHz  | dB    | 8.5     | 11.0       | 1.3           |
| Isolation, L to R (min)                            | $fL = 2$ to 3 GHz<br>$fL = 3$ to 18 GHz   | dB    | 16      | 12         | 11            |
|  |   | dB    | 25      | 16         | 15            |
| Isolation, L to I (min)                            | $fL = 2$ to 18 GHz  | dB    | 30      | 20         | 19            |
| 1 dB Conversion Comp.                              | $fL = +20$ dBm  | dBm   | +17     |            |               |
| Input IP3  | $fR1 = 6$ GHz at 0 dBm, $fR2 = 6.01$ GHz at 0 dBm, $fL = 8$ GHz at +20 dBm<br>$fR1 = 14$ GHz at 0 dBm, $fR2 = 14.01$ GHz at 0 dBm, $fL = 18$ GHz at +20 dBm | dBm   | +26     |            |               |
|  |   | dBm   | +24     |            |               |

1

M/A-COM Inc. and its affiliates reserve the right to make changes to the product(s) or information contained herein without notice. M/A-COM makes no warranty, representation or guarantee regarding the suitability of its products for any particular purpose, nor does M/A-COM assume any liability whatsoever arising out of the use or application of any product(s) or information.

- **North America** Tel: 800.366.2266 / Fax: 978.366.2266
- **Europe** Tel: 44.1908.574.200 / Fax: 44.1908.574.300
- **Asia/Pacific** Tel: 81.44.844.8296 / Fax: 81.44.844.8298

Visit [www.macom.com](http://www.macom.com) for additional data sheets and product information.

**Triple-Balanced Mixer**

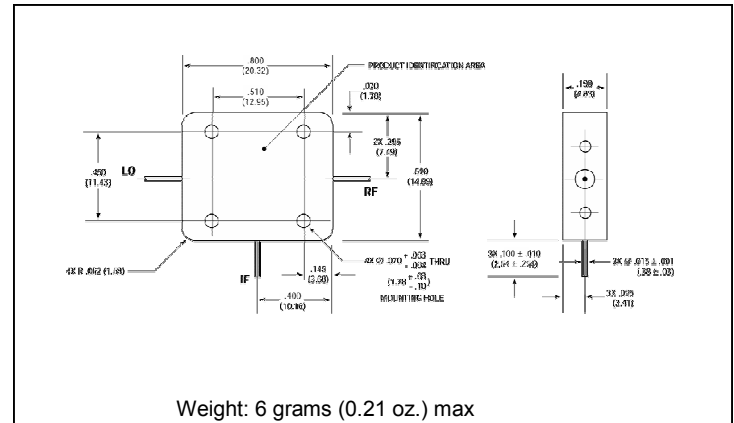
**MY83H/MY83HC**

V2

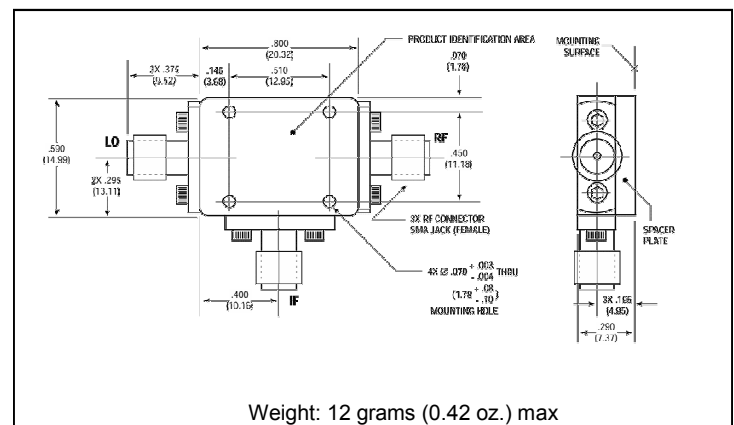
**Absolute Maximum Ratings**

| Parameter             | Absolute Maximum                            |
|-----------------------|---|
| Operating Temperature | -54°C to +100°C                             |
| Storage Temperature   | -65°C to +100°C                             |
| Peak Input Power      | +27 dBm max @ +25°C<br>+21 dBm max @ +100°C |
| Peak Input Current    | 100 mA DC                                   |

**Outline Drawing: Versapac \***



**Outline Drawing: SMA Connectorized \***



\* Dimensions are inches (millimeters) ±0.015 (0.38) unless otherwise specified.