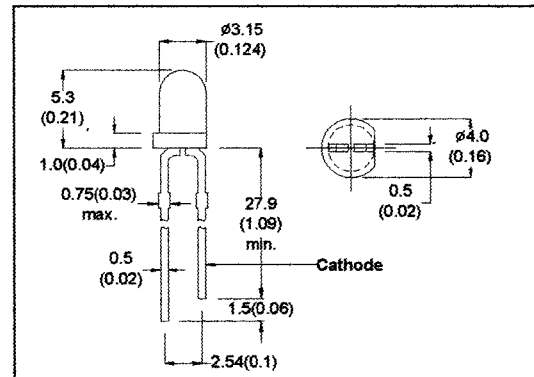


MICRO ELECTRONICS MYB31TA-X

ULTRA HIGH
BRIGHTNESS
YELLOW LED LAMP

DESCRIPTION

MYB31TA-X is high efficiency AlGaInP super yellow LED lamp encapsulated in a 3mm diameter, clear transparent lens. 3 brightness grouping is provided for customer's selection.



- All Dimension in mm (inch)
- No Scale
- Tol : +/- 0.3mm

ABSOLUTE MAXIMUM RATINGS

Power Dissipation @Ta=25°C	120mW
Forward Current, DC (IF)	40mA
Reverse Voltage	5V
Operating & Storage Temperature Range	-55 to +100°C
Lead Soldering Temperature (1/16" from body)	260°C for 5 sec.

ELECTRO-OPTICAL CHARACTERISTIC (Ta=25°C)

PARAMETER	SYMBOL	MIN	TYP	MAX	UNIT	CONDITIONS
Forward Voltage	VF		2.0	3.0	V	IF=20mA
Reverse Breakdown Voltage	BVR	5			V	IR=100μA
Luminous Intensity	IV					
MYB31TA-1		900	1500		mcd	IF=20mA
MYB31TA-2		1500	2500		mcd	IF=20mA
MYB31TA-3		2500	3500		mcd	IF=20mA
Peak Wavelength	λp		595		nm	IF=20mA
Spectral Line Half Width	Δλ		15	20	nm	IF=20mA
Viewing Angle	2θ 1/2		40		degree	IF=20mA

MICRO ELECTRONICS LTD.

38, Hung To Road, Microtron Buiding, Kwun Tong, Kowloon, Hong Kong.

Kwun Tong P.O. Box 69477 Hong Kong. Fax No. 2341 0321 Telex:43510 Micro Hx. Tel: 2343 0181-5

Rev. 1

Aug-99