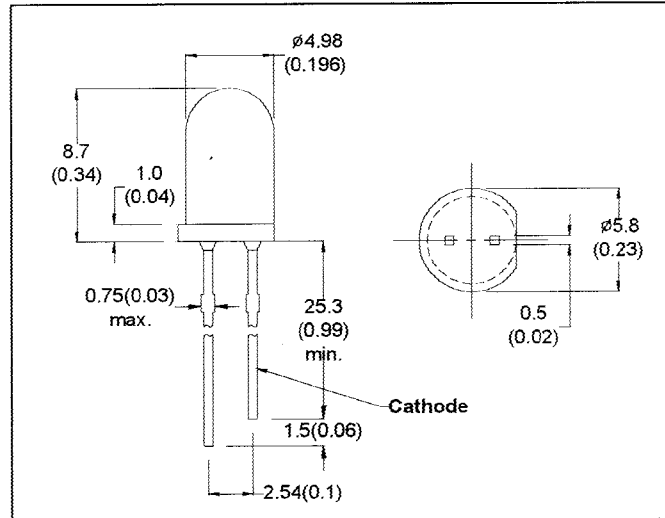


DESCRIPTION

MYB51TAS-X is high efficiency AlGaInP/GaAs super yellow LED lamp encapsulated in a 5mm diameter, clear transparent lens. 3 brightness grouping is provided for customer's selection.



- All Dimension in mm (inch)
- No Scale
- Tol : + / - 0.3mm

ABSOLUTE MAXIMUM RATINGS

Power Dissipation @ Ta=25°C	120mW
Forward Current, DC (IF)	40mA
Reverse Voltage	5V
Operating & Storage Temperature Range	-55 to +100°C
Lead Soldering Temperature (1/16" from body)	260°C for 5 sec.

ELECTRO-OPTICAL CHARACTERISTICS (Ta=25°C)

PARAMETER	SYMBOL	MIN	TYP	MAX	UNIT	CONDITIONS
Forward Voltage	VF		2.1	3.0	V	IF=20mA
Reverse Breakdown Voltage	BVR	5			V	IR=100μA
Luminous Intensity	IV					
	MYB51TAS-1	2000	3000		mcd	IF=20mA
	MYB51TAS-2	3000	4000		mcd	IF=20mA
	MYB51TAS-3	4000	5500		mcd	IF=20mA
Peak Wavelength	λ_p		587		nm	IF=20mA
Spectral Line Half Width	$\Delta\lambda$		15		nm	IF=20mA
Viewing Angle	2θ 1/2		20		degree	IF=20mA


MICRO ELECTRONICS LTD.

 38, Hung To Road, Microtron Building, Kwun Tong, Kowloon, Hong Kong.
 Kwun Tong P.O. Box 69477 Hong Kong. Fax No. 2341 0321 Telex:43510 Micro Hx. Tel: 2343 0181-5

Sep-99