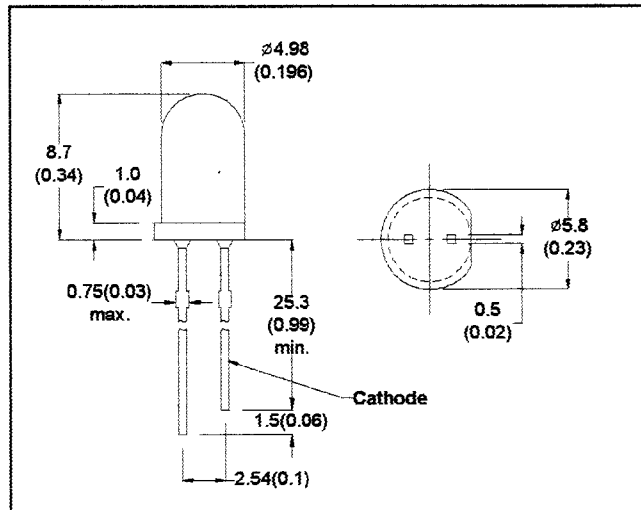


# MICRO ELECTRONICS MYB51TV-X

**ULTRA HIGH  
BRIGHTNESS  
YELLOW LED LAMP**

## DESCRIPTION

MYB51TV-X is high efficiency AlGaInP super yellow LED lamp encapsulated in a 5mm diameter, clear transparent lens. 3 brightness grouping is provided for customer's selection.



- All Dimension in mm (inch)
- No Scale
- Tol : +/- 0.3mm

## ABSOLUTE MAXIMUM RATINGS

Power Dissipation @ Ta=25°C	150mW
Forward Current, DC (IF)	50mA
Reverse Voltage	5V
Operating & Storage Temperature Range	-55 to +100°C
Lead Soldering Temperature (1/16" from body)	260°C for 5 sec.

## ELECTRO-OPTICAL CHARACTERISTICS (Ta=25°C)

PARAMETER	SYMBOL	MIN	TYP	MAX	UNIT	CONDITIONS
Forward Voltage	VF			3.0	V	IF=20mA
Reverse Breakdown Voltage	BVR	5			V	IR=100μA
Luminous Intensity	IV					
	MYB51TV-1	300	550		mcd	IF=20mA
	MYB51TV-2	500	750		mcd	IF=20mA
	MYB51TV-3	650	1000		mcd	IF=20mA
Peak Wavelength	λp		595		nm	IF=20mA
Spectral Line Half Width	Δλ		15	20	nm	IF=20mA
Viewing Angle	2θ 1/2		120		degree	IF=20mA

MICRO ELECTRONICS LTD.

38, Hung To Road, Microtron Building, Kwun Tong, Kowloon, Hong Kong.

Kwun Tong P.O. Box 89477 Hong Kong. Fax No. 2341 0321 Telex:43510 Micro Hx. Tel: 2343 0181-5

Rev.A.