

MZ6 Series for thermal protection

MZ6 series as a temperature indicator is small in size and little in calorific capacity. It is so useful for indicating any overheating of power transistors and thyristors in the power sources.

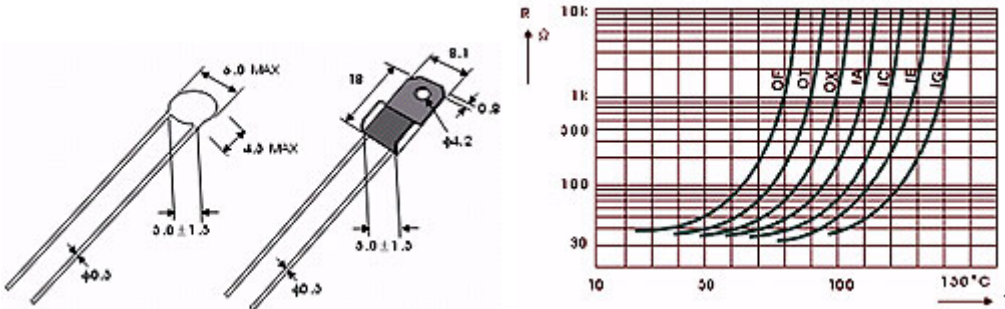


Fig.1 Component outline

Fig.2 Resistance vs. Temperature Characteristics

SPEC. TABLE

Part Number	Temperature indication				Vmax(V)	Imax(mA)
	25°C	Tr(°C)	Tr-5°C	Tr+5°C		
MZ6-501RT70	≤100Ω	70	≤500Ω	≥500Ω	16	100
MZ6-501RT80		80				
MZ6-501RT90		90				
MZ6-501RT100		100				
MZ6-501RT110		110				
MZ6-501RT120		120				
MZ6-501RT130		130				