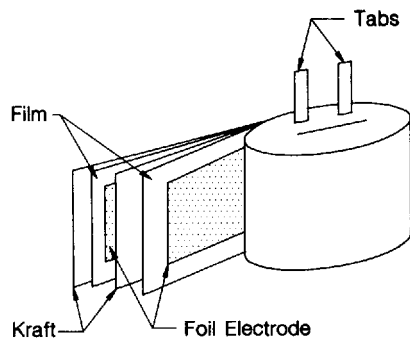


## PAPER / POLYPROPYLENE FILM / ALUMINUM FOIL — Metal Case

### Features

- Oval case style
- Up to 90°C operation
- Voltage range of 700VAC to 1000VAC
- Single and multiple capacitance ratings
- Capacitance range of 0.5 $\mu$ F to 8 $\mu$ F



### Application

AeroPak is designed for Ferroresonant Power Supplies, Fluorescent Lighting and Sign Ballasts. AeroPak for Microwave Oven applications is described separately.

### Construction

The AeroPak capacitor design consists of one or more sheets of kraft tissue with one or more sheets of polypropylene film between two layers of aluminum foil. The opposing sheets of aluminum foil function as electrodes in the capacitor. Alternating layers of kraft tissue and polypropylene film will vary with the voltage and temperature requirements. Tin coated copper tabs with high current carrying capability are wound with the aluminum layers to make the necessary internal electrical connections in the capacitor. The entire construction is completely impregnated with an Environol™ fluid.

Each capacitor incorporates the AeroSafe pressure sensitive interrupter. Refer to the chart below for UL fault current codes.

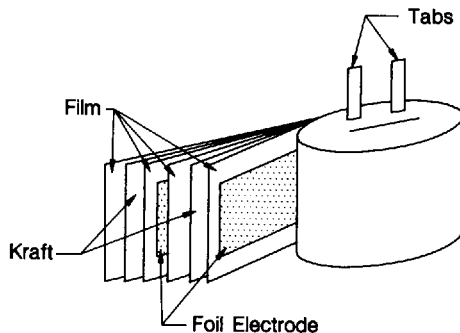
AeroPak				
U.L. 810 Fault Current Ratings				
CASE BASE SIZE	CASE STYLE	MAXIMUM RMS VOLTAGE	MAXIMUM AVAILABLE FAULT CURRENT	PROTECTION CODE
1" OVAL	H	1000	2.5	H2.5AFC
1¼" OVAL	A	1000	2.5	A2.5AFC
1¼" OVAL	A	600	5000	A5000AFC
1½" OVAL	B	1000	2.5	B2.5AFC
1½" OVAL	B	600	5000	B5000AFC
1¾" OVAL	C	1000	2.5	C2.5AFC
1¾" OVAL	C	600	5000	C5000AFC
2" OVAL	D	600	5000	D5000AFC

# MICROWAVE OVEN CAPACITORS — Metal Case

www.DataSheet4U.com

## Features

- Oval case style
- Up to 85°C operation
- Voltage rating up to 2500VAC
- Single and dual capacitance ratings
- Internal resistor available
- Standard capacitance tolerances  $\pm 3\%$
- VDE approved for most ratings
- Capacitance range to  $1.2\mu\text{F}$



## Construction

Aerovox microwave oven capacitors are designed with an AeroPak dielectric system consisting of one sheet of kraft tissue between two sheets of polypropylene film adjacent to two layers of aluminum foil which function as the capacitor's electrodes. Tin coated copper tabs are used to make the necessary internal electrical connections and are wound into the aluminum foil layers in the capacitor. Each capacitor is filled with Aerovox's unique Environol IV™ impregnation fluid which is environmentally compatible and biodegradable. The Aerovox microwave oven capacitor exhibits high corona inception voltage and, even more importantly, a high corona extinction voltage.

The high corona extinction voltage is extremely important because of instabilities that occur in the microwave oven magnetron during the start-up cycle. These instabilities cause voltage transients, which in turn can initiate corona activity within the capacitor. If the corona extinction voltage is below the rated or operating voltage of the capacitor, corona can persist and cause damage to the dielectric, thereby shortening the capacitor's life.

Standard Aerovox microwave oven capacitors are rated for operation at 1700 through 2500 VAC, and typically have corona inception and extinction voltages of 125% and 115% of rated voltage respectively. Higher operating voltages to a maximum of 3000 VAC are also available.

Aerovox capacitors employ a patented internal resistor which discharges the capacitor to 50 volts within 60 seconds after being removed from the circuit. Aerovox capacitors are furnished with quick connect terminals and high cup bushings. These bushings meet the high terminal-to-case voltage requirements normally specified.

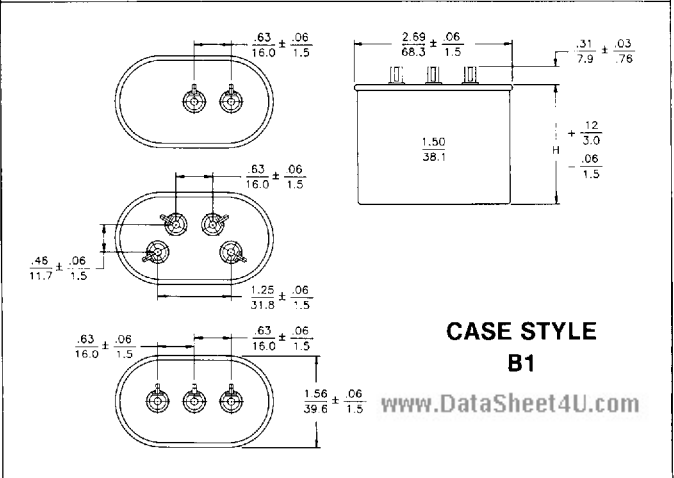
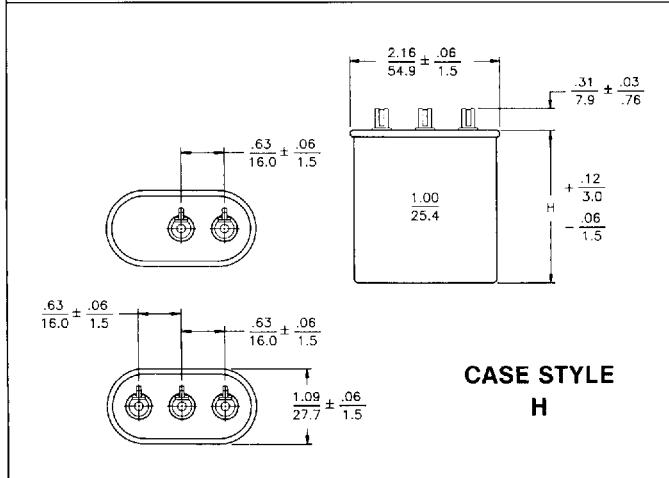
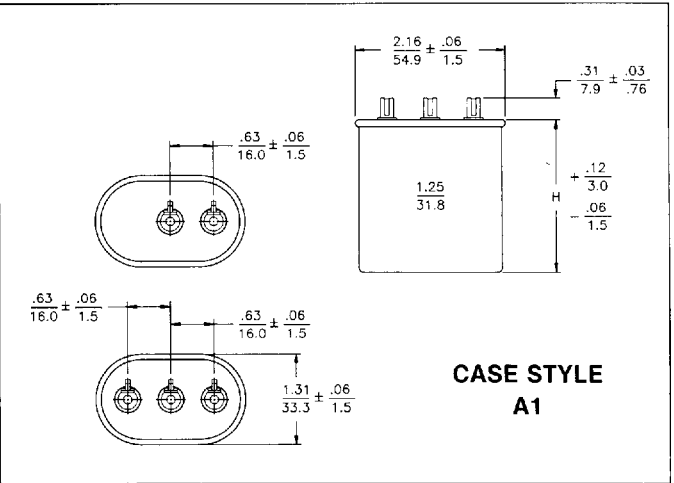
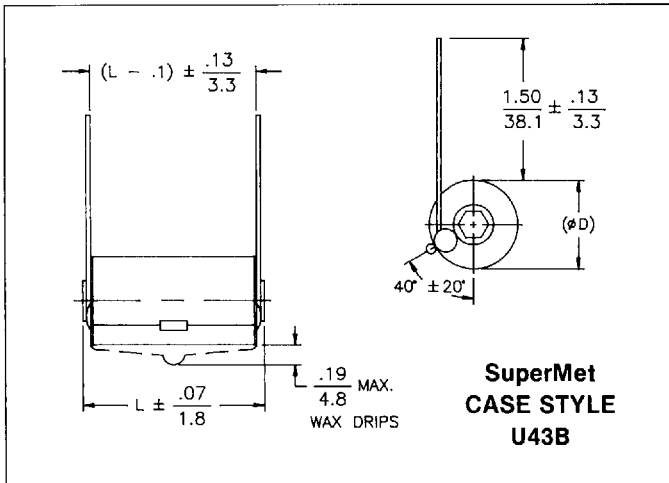
These capacitors are designed to meet the performance and reliability standards of EIA RS-479 and are designed for 97% survival at 3000 hours of operation. VDE approval is available for most ratings under file number 120509-4680. These capacitors are designed for 10,000 hours of service life.

# Fluorescent / Sign Ballast Capacitors

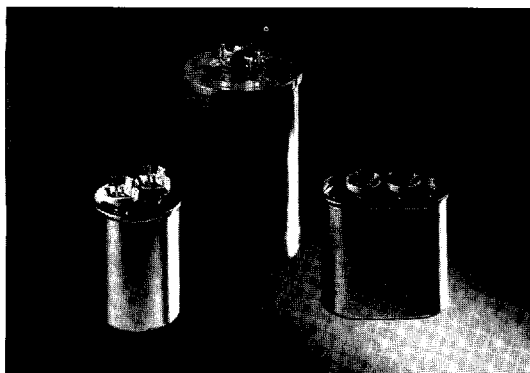
www.DataSheet4U.com

AeroFoil®						
Typical Ratings						
Sizes For Ratings At 70°C Case Temperature						
CATALOG PART NUMBER	CAPACITANCE	VOLTAGE	CASE STYLE	BASE SIZE IN.	CASE HEIGHT	
					IN.	mm
H49R5405Y	5.3 + .075	540	A1	1.25	2.88	73.0
H49R5503Y	3.6 + .075	550	A1	1.25	2.13	54.0
H49R5503Y	3.75 + .075	550	A1	1.25	2.13	54.0
H49R5702Y	2.75 + .075	575	A1	1.25	2.13	54.0
H49R5703Y	3.25 + .075	575	A1	1.25	2.13	54.0
H49R5703Y	3.90 + .075	575	A1	1.25	2.13	54.0
H49R6004Y	4.0 + .075	600	A1	1.25	2.38	60.3
H47R6004Y	4.7 + .090	600	B1	1.50	2.19	55.6
H47R6003Y	3.75 + .075	600	B1	1.50	2.19	55.6

AeroPak®						
Typical Ratings						
Sizes For Ratings At 70°C Case Temperature						
CATALOG PART NUMBER	CAPACITANCE	VOLTAGE	CASE STYLE	BASE SIZE IN.	CASE HEIGHT	
					IN.	mm
N49R7201Y	1.15 + .075	725	A1	1.25	2.13	54.0
N49R7502Y	2.5 + .075 + .075	750	A1	1.25	3.50	88.9
N49R7702Y	2.4 + .075	775	A1	1.25	3.50	88.9
N49R8101Y	1.25 + .075	810	A1	1.25	2.50	63.5
N49R8701Y	1.18 + .075 + .075	870	A1	1.25	2.50	63.5
N49R8702Y	2.2 + .075 + .075	870	A1	1.25	3.50	88.9
N49R8702Y	2.4 + .075 + .075	870	A1	1.25	3.88	98.4
N49R9001Y	1.95 + .075 + .075	900	A1	1.25	3.38	85.7
N49R9501Y	1.3	950	A1	1.25	3.25	82.6
N49R9601Y	1.86 + .075 + .075	960	A1	1.25	3.88	98.4
N20H9701Y	0.63	975	H	1.00	2.13	54.0
N34R1001Y	.075 + .075	1000	H	1.00	2.13	54.0
N49R1001Y	1.18	1000	A1	1.25	2.63	66.7
N47R1001Y	1.7 + .075 + .075	1000	B1	1.50	2.94	74.6



# Power Supply Capacitors



**POWER SUPPLY** — Capacitors are used in power supply circuits to facilitate voltage regulation, noise suppression, and line current reduction. They also increase the efficiency of the circuit by reducing losses and lowering the temperature rise.

SuperMet®					
Round Case 70°C Case Temperature					
330 VAC					
CATALOG PART NUMBER	MFD	CASE STYLE	BASE SIZE IN.	CASE HEIGHT	
				IN.	mm
Z23P3305M	5	P	1.75	2.38	60.3
Z23P3307M	7	P	1.75	2.38	60.3
Z23P3308M	8	P	1.75	2.38	60.3
Z23P3310M	10	P	1.75	2.38	60.3
Z23P3314M	14	P	1.75	2.38	60.3
Z23P3315M	15	P	1.75	2.38	60.3
Z23P3317N	17.5	P	1.75	2.38	60.3
Z23P3320M	20	P	1.75	2.75	69.9
Z23P3322N	22.5	P	1.75	2.75	69.9
Z23P3324M	24	P	1.75	2.75	69.9
Z23P3326M	26	P	1.75	3.25	82.6
Z23P3328M	28	P	1.75	3.25	82.6
Z23P3329M	29	P	1.75	3.25	82.6
Z23P3330M	30	P	1.75	3.25	82.6
Z23P3334M	34	P	1.75	3.75	95.3
Z23P3335M	35	P	1.75	3.75	95.3
Z24P3335M	35	S	2.00	3.25	82.6
Z24P3340M	40	S	2.00	3.25	82.6
Z24P3342M	42	S	2.00	3.75	95.3
Z24P3348M	48	S	2.00	3.75	95.3
Z26P3352M	52	T	2.50	2.75	69.9
Z26P3360M	60	T	2.50	3.25	82.6

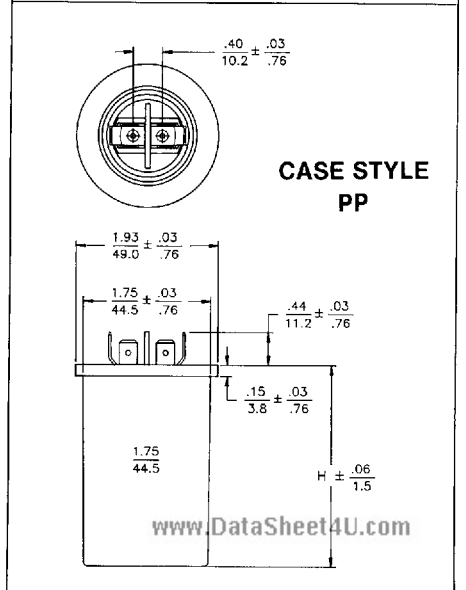
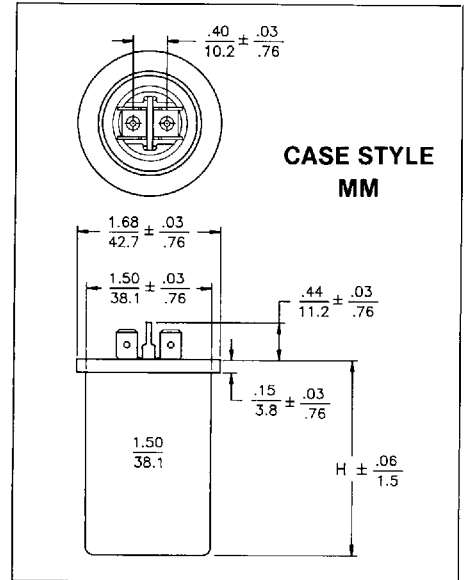
SuperMet®					
Oval Case 70°C Case Temperature					
330 VAC					
CATALOG PART NUMBER	MFD	CASE STYLE	BASE SIZE IN.	CASE HEIGHT	
				IN.	mm
Z50P3305M	5	A	1.25	2.38	60.3
Z50P3307M	7	A	1.25	2.38	60.3
Z50P3308M	8	A	1.25	2.38	60.3
Z50P3310M	10	A	1.25	2.75	69.9
Z50P3314M	14	A	1.25	3.25	82.6
Z50P3315M	15	A	1.25	3.75	95.3
Z64P3317N	17.5	C	1.75	2.38	60.3
Z64P3320M	20	C	1.75	2.38	60.3
Z64P3322N	22.5	C	1.75	2.75	69.9
Z64P3324M	24	C	1.75	2.75	69.9
Z64P3326M	26	C	1.75	2.75	69.9
Z64P3328M	28	C	1.75	3.25	82.6
Z64P3329M	29	C	1.75	3.25	82.6
Z64P3330M	30	C	1.75	3.25	82.6
Z64P3334M	34	C	1.75	3.25	82.6
Z64P3335M	35	C	1.75	3.25	82.6
Z64P3340M	40	C	1.75	3.75	95.3
Z64P3342M	42	C	1.75	3.75	95.3
Z64P3348M	48	C	1.75	4.25	108.0
Z64P3352M	52	C	1.75	4.75	120.7
Z64P3360M	60	C	1.75	4.25	108.0

AeroPak®					
Oval Case 70°C Case Temperature					
660 VAC					
CATALOG PART NUMBER	MFD	CASE STYLE	BASE SIZE IN.	CASE HEIGHT	
				IN.	mm
N50R6601E	1	A	1.25	2.13	54.0
N50R6601Y	1.5	A	1.25	2.13	54.0
N50R6602E	2	A	1.25	2.13	54.0
N50R6602Y	2.5	A	1.25	2.13	54.0
N50R6603E	3	A	1.25	2.50	63.5
N50R6604E	4	A	1.25	3.00	76.2
N50R6605E	5	A	1.25	3.50	88.9

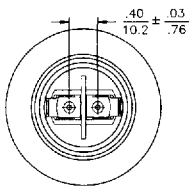
# Power Supply Capacitors

AeroPak®					
Oval Case 90°C Case Temperature					
660 VAC					
CATALOG PART NUMBER	MFD	CASE STYLE	BASE SIZE IN.	CASE HEIGHT	
				IN.	mm
N91R6601Y	0.5	A	1.25	2.13	54.0
N91R6601E	1	A	1.25	2.13	54.0
N91R6601Y	1.5	A	1.25	2.13	54.0
N91R6602E	2	A	1.25	2.63	66.7
N91R6602Y	2.5	A	1.25	3.00	76.2
N91R6603E	3	A	1.25	3.50	88.9
N91R6604E	4	A	1.25	4.50	114.3
N92R6605E	5	B	1.50	4.06	103.1

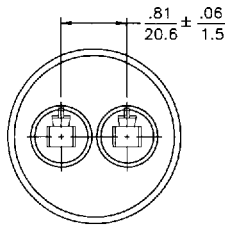
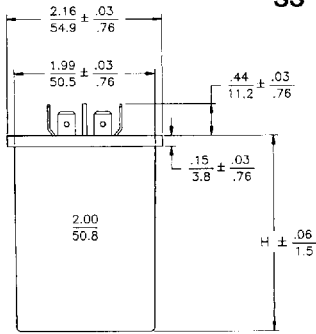
AeroFoil®					
Oval Case 90°C Case Temperature					
660 VAC					
CATALOG PART NUMBER	MFD	CASE STYLE	BASE SIZE IN.	CASE HEIGHT	
				IN.	mm
H91R6605E	5	A	1.25	2.88	73.0
H91R6606E	6	A	1.25	3.38	85.7
H92R6606E	6	B	1.50	2.38	60.3
H91R6607E	7	A	1.25	3.38	85.7
H92R6607E	7	B	1.50	2.88	73.0
H91R6608E	8	A	1.25	3.88	98.4
H92R6608E	8	B	1.50	2.88	73.0
H92R6609E	9	B	1.50	3.38	85.7
H92R6610E	10	B	1.50	3.38	85.7
H93R6610E	10	C	1.75	2.88	73.0
H93R6612E	12	C	1.75	2.88	73.0
H93R6615E	15	C	1.75	3.38	85.7
H94R6615E	15	D	2.00	2.88	73.0
H94R6618E	18	D	2.00	3.38	85.7
H93R6620E	20	C	1.75	4.88	123.8
H94R6620E	20	D	2.00	3.88	98.4



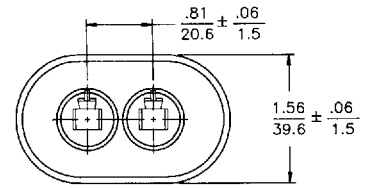
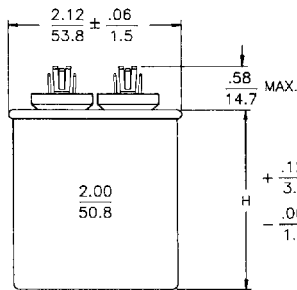
# Power Supply Capacitors



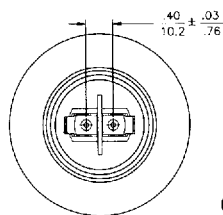
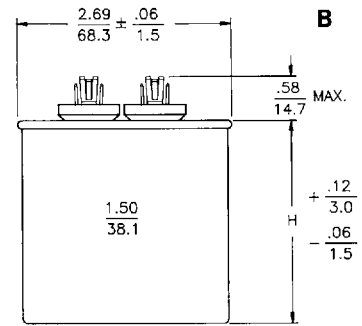
**CASE STYLE  
SS**



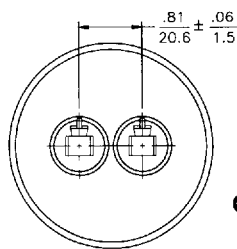
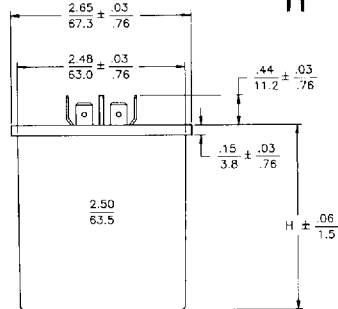
**CASE STYLE  
S**



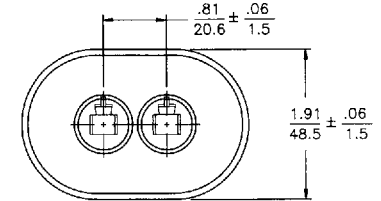
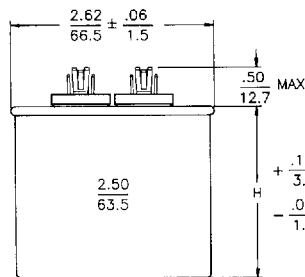
**CASE STYLE  
B**



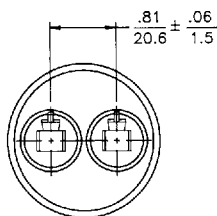
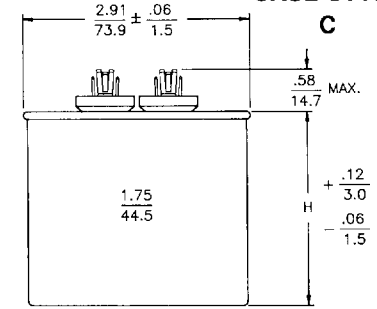
**CASE STYLE  
TT**



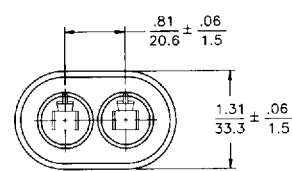
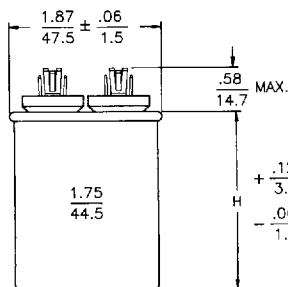
**CASE STYLE  
T**



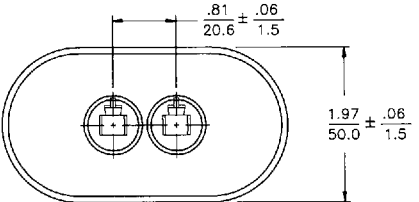
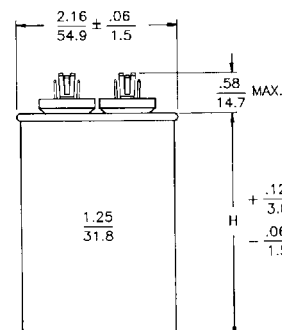
**CASE STYLE  
C**



**CASE STYLE  
P**



**CASE STYLE  
A**



**CASE STYLE  
D**

