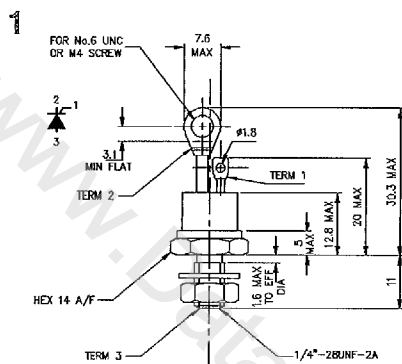


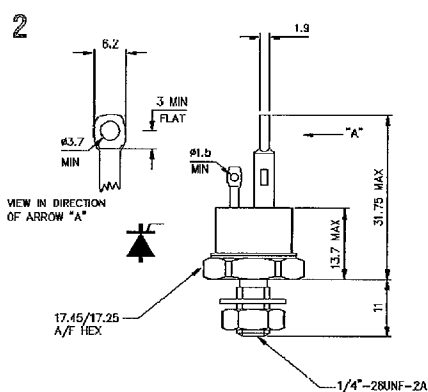
Phase Control Thyristors ~ Stud & flat base types

Type	V_{DRM} V_{RRM} Range (Note 5) (V)	$I_{T(AV)}$ at T_{CASE} (A) (°C)		$I_{T(RMS)}$ (A)	I_T (A)	$I_{TSM(1)}$ 10ms $V_R \leq 60\%$ V_{RRM} (Note 1) (A)	$I_{TSM(2)}$ 10ms $V_R \leq 10V$ (Note 1) (A)	$I^2t_{(2)}$ (Note 1) (A ² s)	di/dt Non- Rep/Rep (Note 4) (A/μs)
N018RHx	200-1500	21	(85)	40	40	210	240	290	400/200
N023RHx	200-1500	23	(85)	48	48	300	345	595	400/200
N029RHx	200-1500	30	(96)	48	48	500	575	1653	400/200
N044RHx	200-1500	45	(85)	100	100	750	863	3720	400/200
N060RHx	200-1500	63	(85)	100	100	1000	1100	6613	400/200
N086PHx N086RHx	200-1500	85	(85)	175	175	1700	1950	19 x 10 ³	1000/500
N105PHx N105RHx	200-1500	110	(90)	175	175	2450	2695	36.3 x 10 ³	1000/500
N170PHx	200-1500	196	(85)	355	355	4200	4620	107 x 10 ³	1000/500
N195PHx	200-1500	226	(85)	355	355	4650	5120	131 x 10 ³	1000/500
N275PHx	200-800	226	(94)	355	355	6000	6600	218 x 10 ³	1000/500
N260KHx	200-3600	245*	-	550	550	5700	6270	196 x 10 ³	400/200
N330KHx	1600-2400	324*	-	550	550	9200	10100	510 x 10 ³	500/300
N350MHx	200-1800	350*	-	900	900	11500	12650	800 x 10 ³	1000/500
N370MHx	200-1500	370*	-	900	900	12700	13970	975 x 10 ³	1000-500

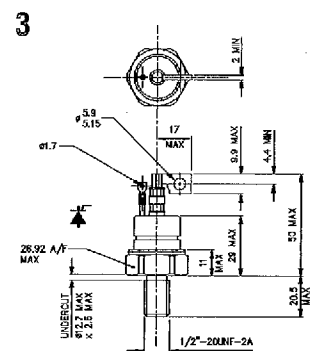
* at 85°C
heatsink



101A215



101A153



101A235

I_{GT}/V_{GT}	I_{DRM} I_{RRM}	I_H	Rth j-c		Rth c-s	V_o r		V_{TM} at I_{TM}	Wt	Mounting Torque	Fig. No.	Type
			d.c.	120° 180° sine		@ T_j 125°C	@ T_j 125°C					
25°C	125°C	25°C				(Note 2)						
(mA) (V)	(mA)	(mA)	(K/W)	(K/W)	(K/W)	(V)	(mΩ)	(V) (A)	(gm)	(Kgm)		
100/3	5	160	1.00	1.25	0.10	1.38	10.30	1.96/55	10	0.41-0.48	1	N018R
100/3	5	160	1.00	1.25	0.10	1.20	8.30	1.80/70	10	0.41-0.48	1	N023R
100/3	5	160	0.55	0.69	0.10	1.17	8.10	1.93/94	10	0.41-0.48	1	N029R
100/3	10	160	0.45	0.52	0.10	1.10	7.90	2.22-140	33	0.41-0.48	2	N044R
100/3	10	160	0.35	0.40	0.10	0.89	6.10	2.10/195	33	0.41-0.48	2	N060R
150/3	20	600	0.23	0.28	0.08	1.57	2.29	2.29/315	130	1.15-1.45	3	N086P
150/3	20	600	0.23	0.28	0.08	0.90	1.79	1.46/315	130	1.15-1.45	4	N086R
150/3	20	600	0.12	0.14	0.04	1.08	1.30	1.98/690	280	2.50-2.77	3	N105P
150/3	20	600	0.12	0.14	0.04	0.92	0.99	1.60/690	280	2.50-2.77	4	N105R
150/3	20	400	0.12	0.14	0.04	0.85	0.535	1.22/690	280	2.50-2.77	5	N170P
150/3	20	400	0.12	0.14	0.04	0.92	0.99	1.60/690	280	2.50-2.77	5	N195P
150/3	20	400	0.12	0.14	0.04	0.85	0.535	1.22/690	280	2.50-2.77	5	N275P
300/3	60	1000	0.08*	0.09*	-	1.21	1.36	2.26/770	1000	1.65-2.07	6	N260K
300/3	60	1000	0.08*	0.09*	-	1.04	0.61	1.66/1020	1000	1.65-2.07	6	N330K
300/3	60	1000	0.08*	0.09*	-	1.08	0.40	1.51/1100	820	1.65-2.07	7	N350M
300/3	60	1000	0.08*	0.09*	-	1.06	0.31	1.42/1156	820	1.65-2.07	7	N370M

* Rth j-hs

