



Agilent

PXIT 10.3125 Gb/s Pattern Generator N2102B and PXIT Synthesizer N2099A

Data Sheet



The N2102B PXIT pattern generator is a 2-slot PXI module capable of generating a number of industry standard patterns, with very low jitter, from 622 Mb/s to 10.3125 Gb/s. The N2102B requires an external clock source for operation at these rates.

The N2099A PXIT synthesizer is a 2-slot PXI module with dual RF outputs, tunable over a 2 GHz range. There are three options available that cover different frequency ranges depending on the required application.

The N2099A is the ideal clock source for the N2102B.

Both instruments form part of the Agilent PXIT family of modules. Other modules available include the N2100B PXIT DCA and the N2101B PXIT BERT which can also be used (via its at rate clock out) to drive the N2102B PXIT pattern generator.



PXIT 10.3125 Gb/s Pattern Generator

N2102B



Features

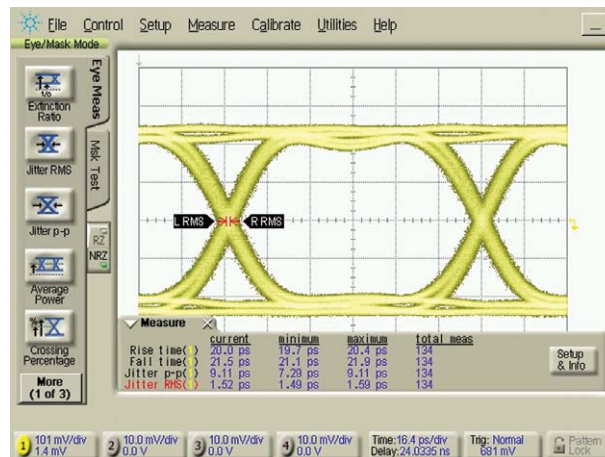
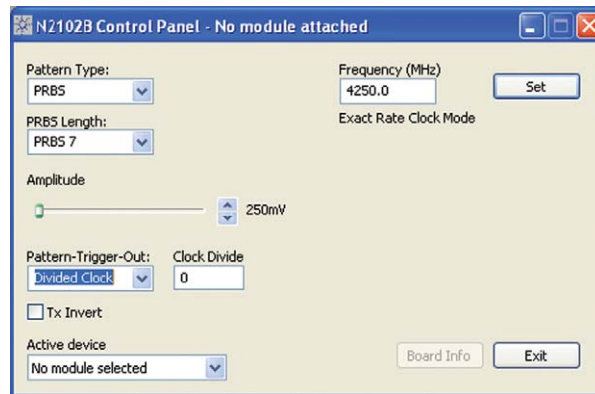
- PRBS generations $2^n - 1$, ($n = 7, 9, 11, 15, 23, 31$)
- User selectable data patterns: K28.5, K28.7, CRPAT
- Single error and error rate injection
- Differential data output
- SMA trigger output (clock/128, pattern, user defined burst enable)
- SMA clock input and output
- Requires external clock
- 2-slot PXI module
- User defined patterns
 - 2048 bits maximum length
 - 16 Kbytes if pattern length is divisible by 64.

Specifications

Parameter	Specification
Bit rate operation	622 Mb/s to 10.3125 Gb/s
Output rise/fall time (20% - 80%)	25 ps (max) 22 ps characteristic
Output intrinsic jitter	2.5 ps RMS (max) 1.5 RMS ps characteristic
Output voltage range (single-ended)	250 mV to 1 V pp
Output voltage resolution	5 mV
Pattern trigger/clock output voltage	1 V pp (characteristic)
Front panel connectors	SMA
Clock input voltage range	500 mV to 1 V pp (characteristic)

Note: Unless otherwise stated all signals are AC coupled and 50 Ω terminations are expected

User friendly configuration screen



The N2102B eye output at 10.3125 Gb/s viewed on the DCA-J

PXIT Synthesizer

N2099A

The N2099A synthesizer is a 2-slot PXI instrument. This permanent magnet YIG (PMYTO) based synthesizer can be tuned over a 2 GHz frequency range.

ActiveX drivers provide an easy to use software interface and a graphical user interface is provided for manual operation of the module.

Features

- Two frequency ranges available between 4.25 and 11.5 GHz
- 2 GHz tuning range
- 2 outputs
- 10 MHz reference output
- Excellent phase noise performance
- Non-volatile storage of set frequency – unit powers up at previously set frequency
- 2-slot PXI module

Specifications

Parameter	Specification
Output frequency (center)	5.25 and 10.5 GHz
Tuning range	±1.0 GHz
Output power minimum	+8 dBm (4, 5 and 6 GHz) characteristic +6 dBm (9, 10 and 11 GHz) characteristic
Power variation over temp/freq	±3 dB
Step size minimum	1 kHz
• Option 052	100 kHz
• Option 105	250 kHz
Switching speed, 100 MHz step	100 ms typical
Output impedance	50 Ω
External reference osc output freq (TCXO)	10 MHz

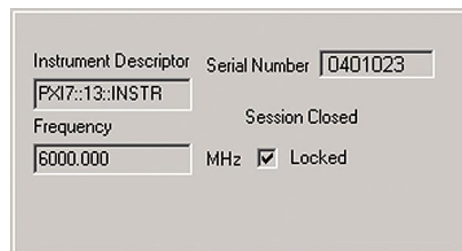
Software

Both instruments and accompanying software fully comply with PXI specifications. To achieve this, a Windows® application is provided through which the user can control either without any user development.

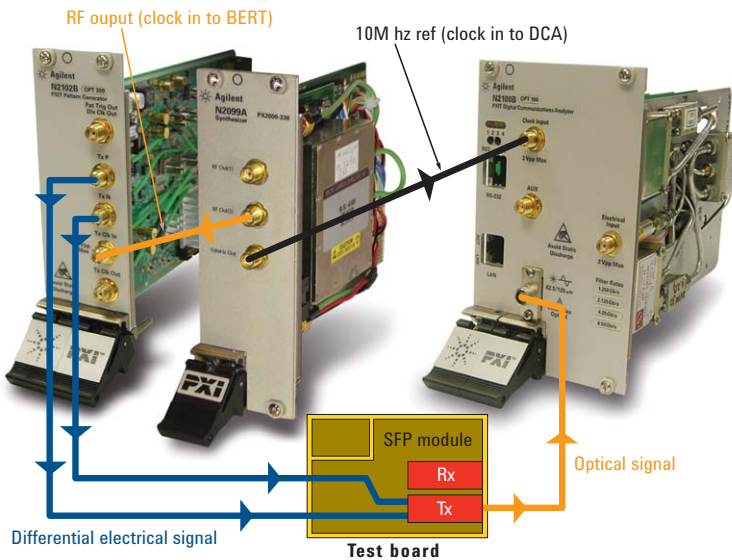
To ease program development and compatibility, an ActiveX control is supplied allowing program development in any ActiveX compliant programming environment. These include Visual C++, Visual Basic, C#, Excel®, LabVIEW™ and many other environments.

Software features include:

- Simple programming through the ActiveX interface
- A Windows application control panel
- Requires VISA distribution software (from National Instruments)



Typical Configuration



Ordering

N2099B PXIT synthesizer	Option 052 4.25 GHz to 6.25 GHz Option 105 9.5 GHz to 11.5 GHz
N2102B PXIT pattern generator	Option 300 622 Mb/s to 10.3125 Gb/s



Agilent Email Updates

www.agilent.com/find/emailupdates
Get the latest information on the products and applications you select.



Agilent Direct

www.agilent.com/find/agilentdirect
Quickly choose and use your test equipment solutions with confidence.

Microsoft, EXCEL and Visual Basic are U.S. registered trademarks of Microsoft Corporation.

LabVIEW is a trademark of National Instruments Corporation.

Remove all doubt

Our repair and calibration services will get your equipment back to you, performing like new, when promised. You will get full value out of your Agilent equipment throughout its lifetime. Your equipment will be serviced by Agilent-trained technicians using the latest factory calibration procedures, automated repair diagnostics and genuine parts. You will always have the utmost confidence in your measurements.

Agilent offers a wide range of additional expert test and measurement services for your equipment, including initial start-up assistance onsite education and training, as well as design, system integration, and project management.

For more information on repair and calibration services, go to

www.agilent.com/find/removealldoubt

www.agilent.com

Online assistance:
www.agilent.com/find/pxit

For more information on Agilent Technologies' products, applications or services, please contact your local Agilent office. The complete list is available at:

www.agilent.com/find/contactus

Americas

Canada	(877) 894-4414
Latin America	305 269 7500
United States	(800) 829-4444

Asia Pacific

Australia	1 800 629 485
China	800 810 0189
Hong Kong	800 938 693
India	1 800 112 929
Japan	0120 (421) 345
Korea	080 769 0800
Malaysia	1 800 888 848
Singapore	1 800 375 8100
Taiwan	0800 047 866
Thailand	1 800 226 008

Europe & Middle East

Austria	01 36027 71571
Belgium	32 (0) 2 404 93 40
Denmark	45 70 13 15 15
Finland	358 (0) 10 855 2100
France	0825 010 700* *0.125 €/minute
Germany	07031 464 6333
Ireland	1890 924 204
Israel	972-3-9288-504/544
Italy	39 02 92 60 8484
Netherlands	31 (0) 20 547 2111
Spain	34 (91) 631 3300
Sweden	0200-88 22 55
Switzerland	0800 80 53 53
United Kingdom	44 (0) 118 9276201
Other European Countries:	www.agilent.com/find/contactus
	Revised: August 14, 2008

Product specifications and descriptions in this document subject to change without notice.

© Agilent Technologies, Inc. 2007, 2008
Printed in USA, October 13, 2008
5989-7067EN

