

GENERAL DESCRIPTION

The N2596 Series switching voltage regulators (SVR) are monolithic integrated circuits that provide all the active functions for a step-down (buck) switching regulator. Both series are capable of driving 3 A load respectively with excellent line and load regulation.

The N2596 Series SVR include a switching regulator and compensation network all within the same package. Just add a choke, catch diode and two capacitors to obtain an efficient DC-to-DC converter. The output switch includes cycle-by-cycle current limiting, as well as thermal shutdown for full protection under fault conditions.

The N2596 Series SVR offer replacement for popular 3 terminal linear regulators by providing higher efficiency with reduced heat sink size. In many applications a heat sink will not be required.

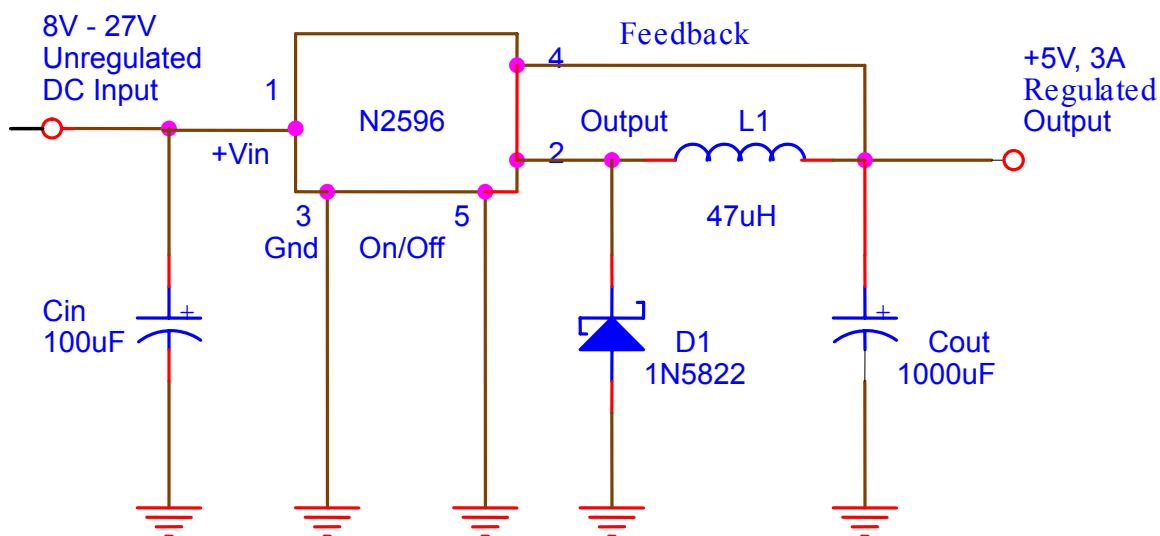
FEATURES

- Pin compatible with industry products of LM2596 Series
- Fixed 5V output version
- Wide output voltage range, 1.23V to 27V for adjustable output version
- DC-to-DC buck converter requiring only 4 external parts
- 150 KHz fixed frequency internal oscillator
- TTL shutdown capability, low power stand-by mode
- High efficiency
- Uses readily available standard inductors

APPLICATIONS

- Simple high-efficiency step-down (buck) regulator
- Positive to negative converter (Inverting Buck-Boost)
- Isolated Fly back Converter using minimum number of external parts
- Powering portable instrument, Set-Top Box, LCD Monitor, Scanner, I.A, Easy PC
- SMPS Post-Regulator

TYPICAL APPLICATION



ABSOLUTE MAXIMUM RATINGS

- | | | | |
|---|-------------------------|--|--------------|
| ● Maximum Supply Voltage | 30V | ● Thermal Resistance
Junction to Ambient, θ_{JA} | |
| ● ON/OFF Pin Input Voltage | $-0.3 \leq V \leq +V_I$ | TO-220 | 50°C/W |
| ● Output Voltage to Ground
(Stead State) | -1V | TO-263 | 60°C/W |
| ● Power Dissipation | Internally
Limited | ● Operating Junction
Temperature Range | -40 to 125°C |
| ● Thermal Resistance
Junction to Case, θ_{JC} | 2.0°C/W | ● Storage Temperature
Range | -65 to 150°C |
| | | ● Lead Temperature
(Soldering, 10 Seconds) | 260°C |

ELECTRICAL CHARACTERISTICS (Unless otherwise specified, $T_A = 25^\circ\text{C}$.)

Parameter	Symbol	Test Conditions	Typical	Limits
Output Voltage	V_{OUT}	$V_{IN} = 12V$ $I_{LOAD} = 0.5A$	5V	4.9V _{Min} 5.1V _{Max}
Output Voltage	V_{OUT}	$8V \leq V_{IN} \leq 27V$ $0.5A \leq I_{LOAD} \leq 3A$	5V	4.8V _{Min} 5.2V _{Max}
Efficiency	η	$V_{IN} = 12V, V_{OUT} = 5V$ $I_{OUT} = 3A$	77%	
Oscillator Frequency	F_{OSC}		150KHz	127 KHz (Min) 173 KHz (Max)
Saturation Voltage	V_{SAT}	$I_{OUT} = 3A$	1.4V	1.8V _{Max}
Current Limit	I_{CL}		6.0A	4.0A ~ 7.0A
ON/OFF Pin Logic Input Level	V_{IH}	$V_{OUT} = 0V$	1.4V	2.2V (Min)
	V_{IL}	$V_{OUT} = \text{Nominal Output Voltage}$	1.2V	1.0V (Max)
ON/OFF Pin Logic Input Current	I_{IH}	ON/OFF Pin = 5V (OFF)	12 μ A	30 μ A (Max)
	I_{IL}	ON/OFF Pin = 0V (ON)	0 μ A	10 μ A (Max)

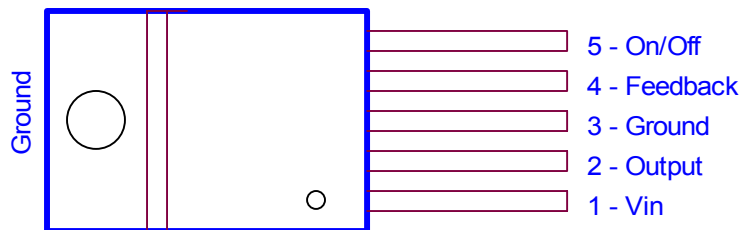
REMARK: Orders for parts with Lead-Free plating can be placed using the N2596XG-5 parts name.

DEVICE SELECTION GUIDE

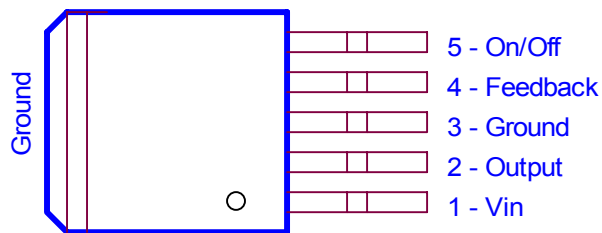
Device	N2596SG-5	N2596TG-5
Voltage (V)	5	5
Current (A)	3	
Package	TO-263	TO-220
Marking	N2596SG-5	N2596TG-5

PIN CONFIGURATIONS

5 -LEAD TO-220 (T)

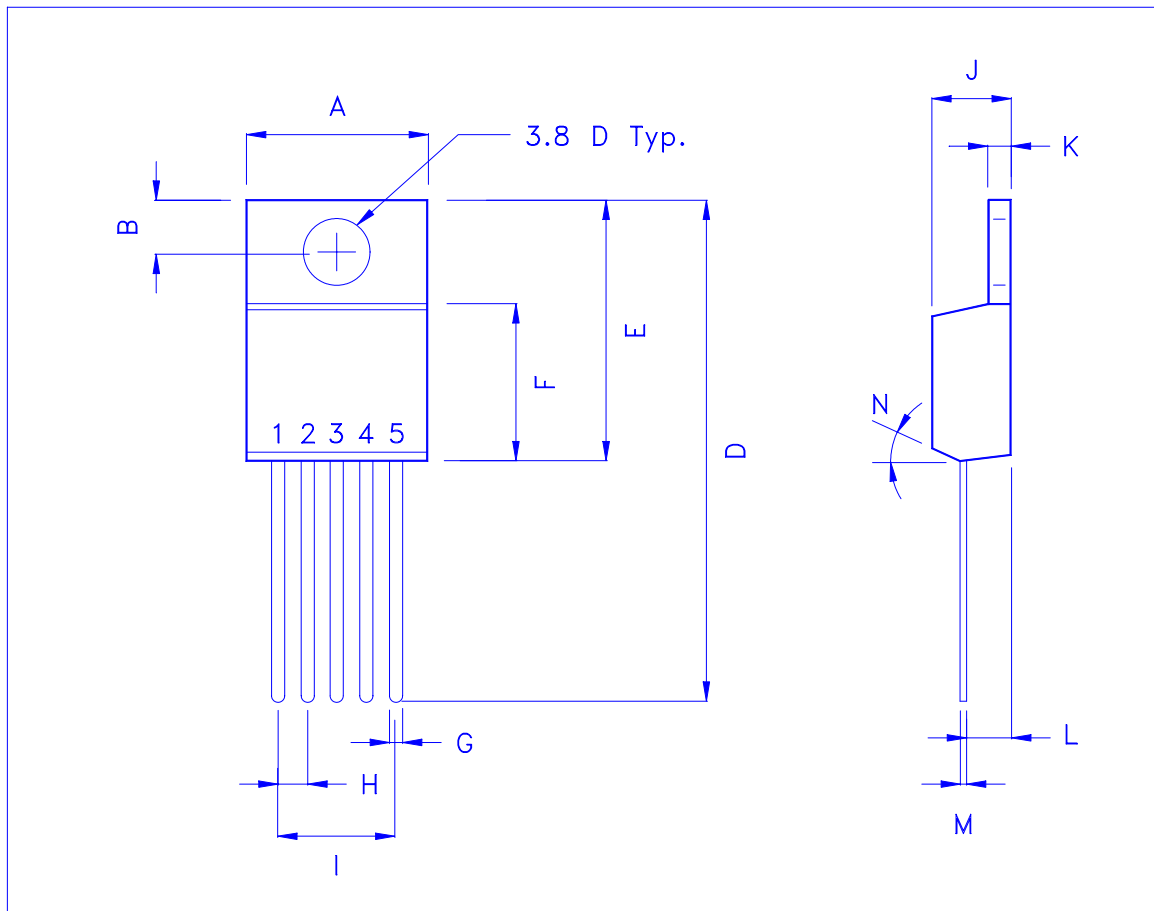


5 -LEAD TO-263 (S)



TO-220 (5-Lead) MECHANICAL DATA

Dimension	mm			Dimension	mm		
	Min.	Typ.	Max.		Min.	Typ.	Max.
A	9.78	10.16	10.54	H	1.57	1.7	1.83
B	2.61	2.74	2.87	I		6.81	
C				J	4.4	4.6	4.8
D	28.5	28.9	29.3	K	1.14	1.27	1.4
E	14.6	15.0	15.4	L	2.3	2.6	2.9
F	8.4	8.8	9.2	M	0.26	0.46	0.66
G	0.73	0.83	0.93	N		7°	



TO-263 (D²PAK, 5-Lead) MECHANICAL DATA

Dimension	mm			Dimension	mm		
	Min.	Typ.	Max.		Min.	Typ.	Max.
A	14.5	15	15.8	H	1.0	1.5	1.8
B	4.2		4.7	I	9.8		10.3
C	1.20		1.35	J		6.5	
D		2.8		K		1.5	
E	0.3	0.4	0.5	L	0.7	0.85	1.0
F	-0.102		0.203	M	1.57	1.7	1.83
G	8.5	9	9.5	N			

