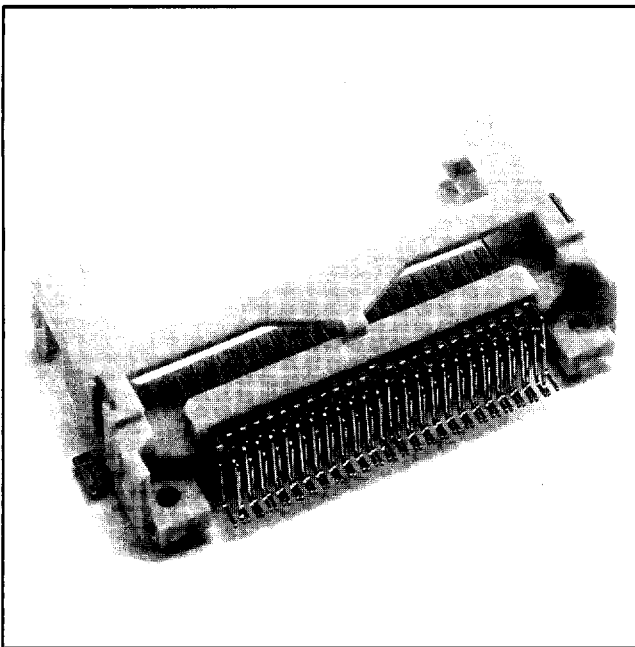


.050" × .050" CF Card Header

Surface Mount



- Single row solder tails — 0.635 mm spacing
- Board component clearance — 1.64 mm standoff
- Ejector option — easy removal of CF Card from right angle header
- Meets CFA standards — known reliability
- Retainer Clip option — stability for mobile or high vibration applications

TS-0662-08
Sheet 1 of 4

7

Physical

Insulation

Material: Liquid Crystal Polyester (LCP)
Flammability: UL 94V-0
Color: Beige

Contact

Material: Copper Alloy
Plating
Underplate: 100 μ " [2.54 μ m] Nickel — QQ-N-290, Class 2
Wiping Area: Gold Flash over 20 μ " [0.50 μ m] 80/20 Palladium Nickel
Solder Tails: 50 μ " [1.27 μ m] 85/15 Tin Lead — MIL-P-81728

Electrical

Current Rating: .5 A
Insulation Resistance: $>1 \times 10^9 \Omega$ at 500 Vdc
 $>1 \times 10^8 \Omega$ at 500 Vdc after Environmental Conditioning
Withstanding Voltage: 500 Vrms at Sea Level

Environmental

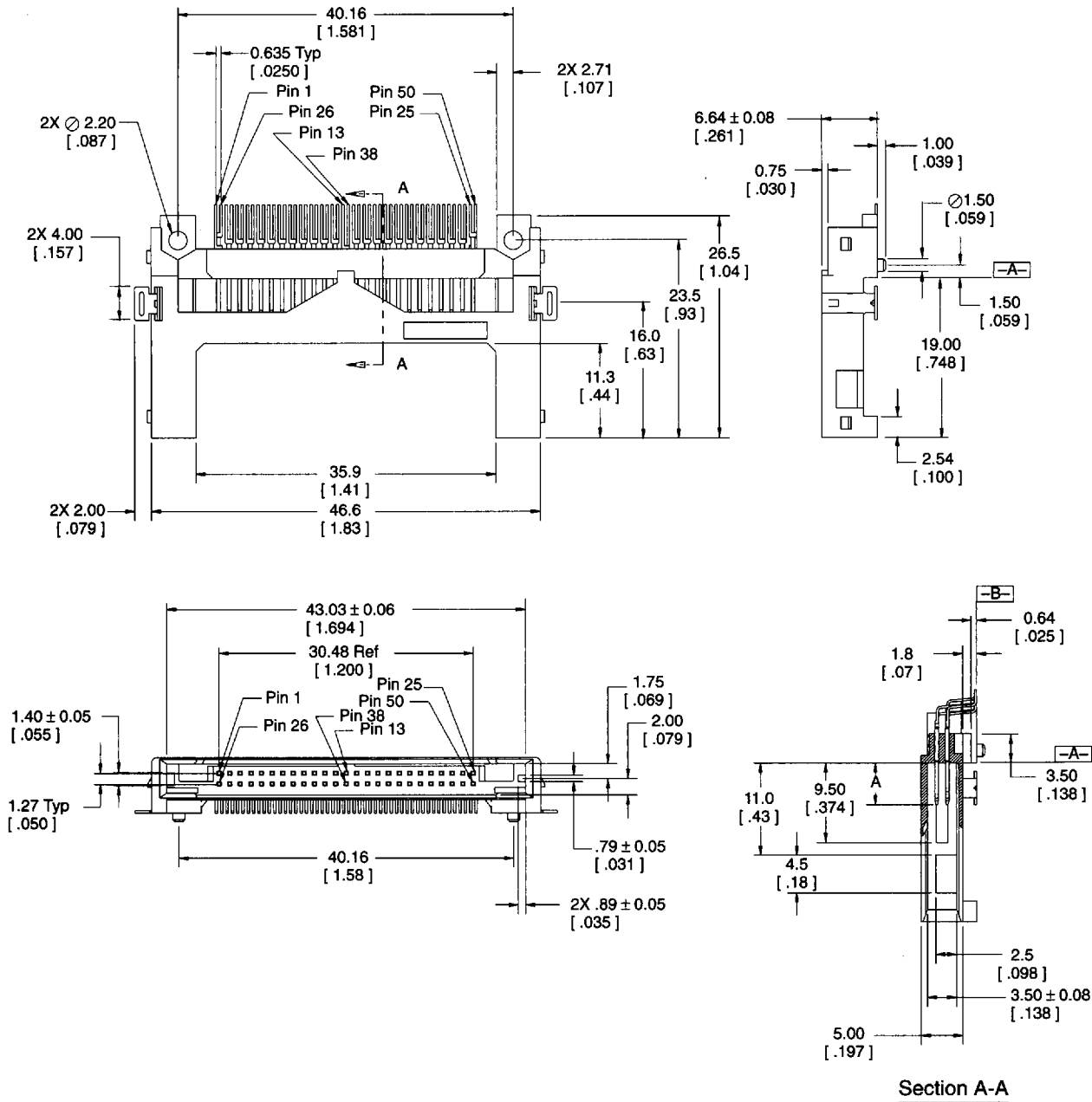
Temperature Rating: -55°C to +85°C
Process Rating: Maximum 235°C, with 90 seconds over 215°C

www.DataSheet4U.com

.050" × .050" CF Card Header

Surface Mount

Pin Type	Interface Dim A	Pin No.
detect	3.50 [.138]	25, 26
general	4.25 [.167]	all other pins
power	5.00 [.197]	1, 13, 38 & 50

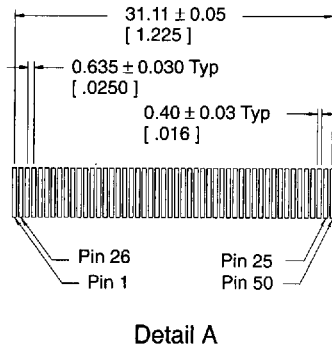
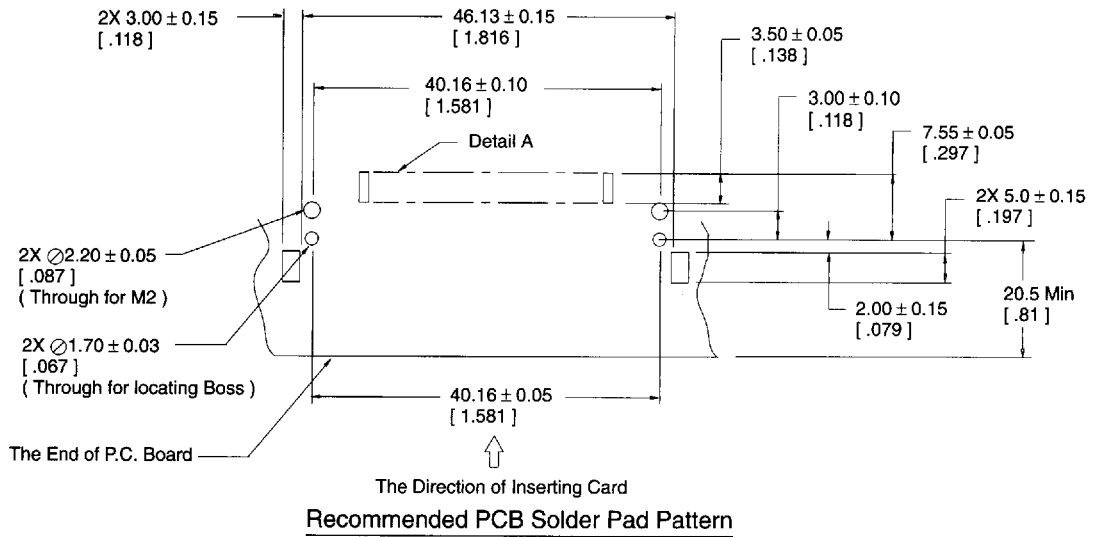


Ordering Information

N7E50-7516VY-20

TS-0662-08
Sheet 2 of 4

.050" × .050" CF Card Header Surface Mount

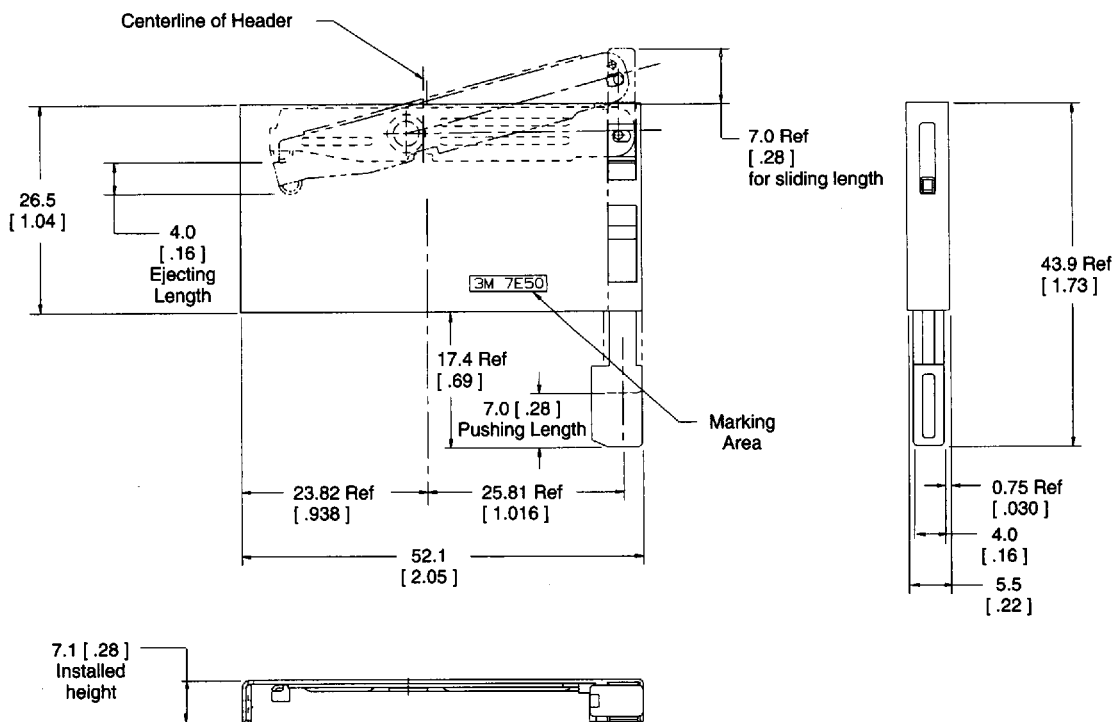


TS-0662-08
Sheet 3 of 4

.050" × .050" CF Card Header Surface Mount

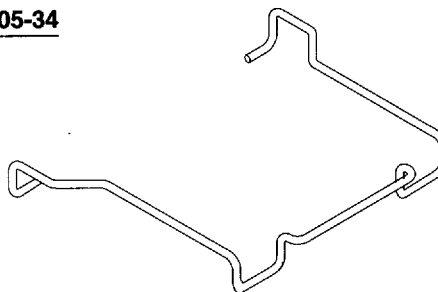
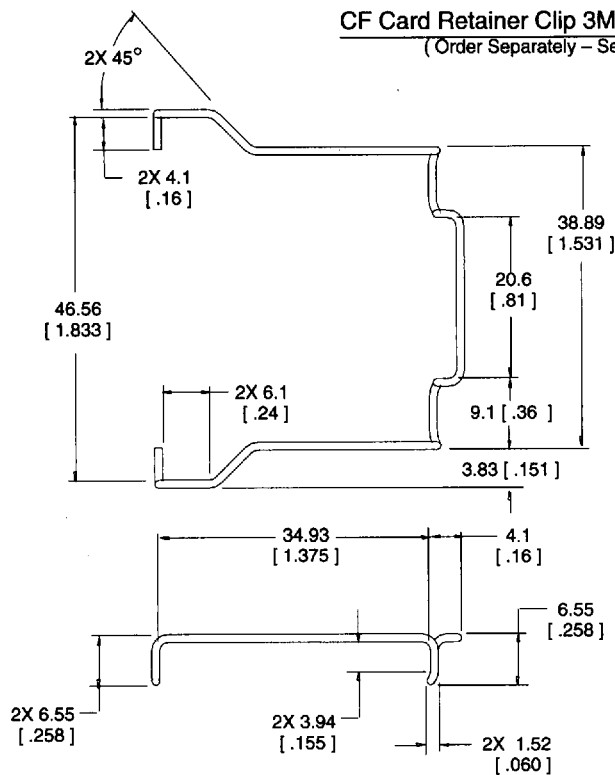
Right Button Ejector 3M Part D7E50-7316-03

(Order Separately - See note)



CF Card Retainer Clip 3M Part 3505-34

(Order Separately - See note)



Zinc Plated
Material: 18 gage wire per ASTM A-228

mm [Inch]			
Tolerance Unless Noted			
	.0	.00	.000
mm	±.3	±.13	

[] Dimensions for Reference only

Note: Use of either an ejector or a retainer clip excludes the use of the other.

TS-0662-08
Sheet 4 of 4