

### N82S106, N82S107 Field Programmable ROM Patch (16 x 48 x 8) *Cont.*

#### REFERENCE TABLE

TYPE NO.	STOCK NO.	OUTLINE DRWG. NO.
N82S106N	56478R	5
N82S107N	56479G	5

#### MAXIMUM RATINGS

PARAMETER	RATING		UNIT
	Min	Max	
V <sub>CC</sub>		+7	Vdc
V <sub>IN</sub>		+5.5	Vdc
V <sub>OUT</sub>		+5.5	Vdc
I <sub>IN</sub>	-30	+30	mA
I <sub>OUT</sub>		+100	mA
	Temperature range		°C
T <sub>A</sub>	Operating		
		N82S106/107	0 +75
		S82S106/107	-55 +125
T <sub>STG</sub>	Storage		-65 +150

### N82S104/105 Field Programmable Logic Sequencer

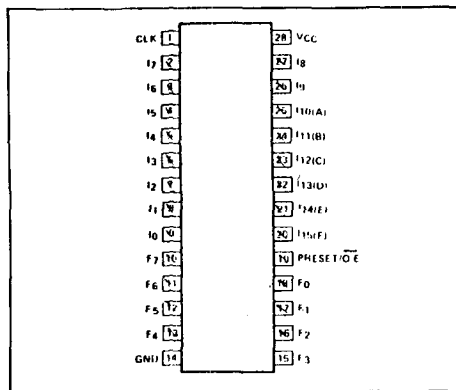
#### GENERAL DESCRIPTION

The 82S104 and 82S105 are bipolar field programmable logic sequencers. An internal state register, state decoder and output register have been added to a combinational logic array. The 82S104 is open collector and the 82S105 is tri-state.

#### FEATURES

- Field Programmable (Ni-Cr link)
- 16 Input Variables
- 8 Output Functions
- 48 Transition Terms
- 6-bit State Register
- 8-bit Output Register
- Positive edge trigger clock
- Programmable asynchronous Preset or Output Enable
- Power-on preset to all "1" of internal registers
- 90 Ns maximum I/O delay
- 650 mW power dissipation (typical)
- TTL compatible
- 28 pin package
- Single +5V supply

#### CONNECTION DIAGRAM

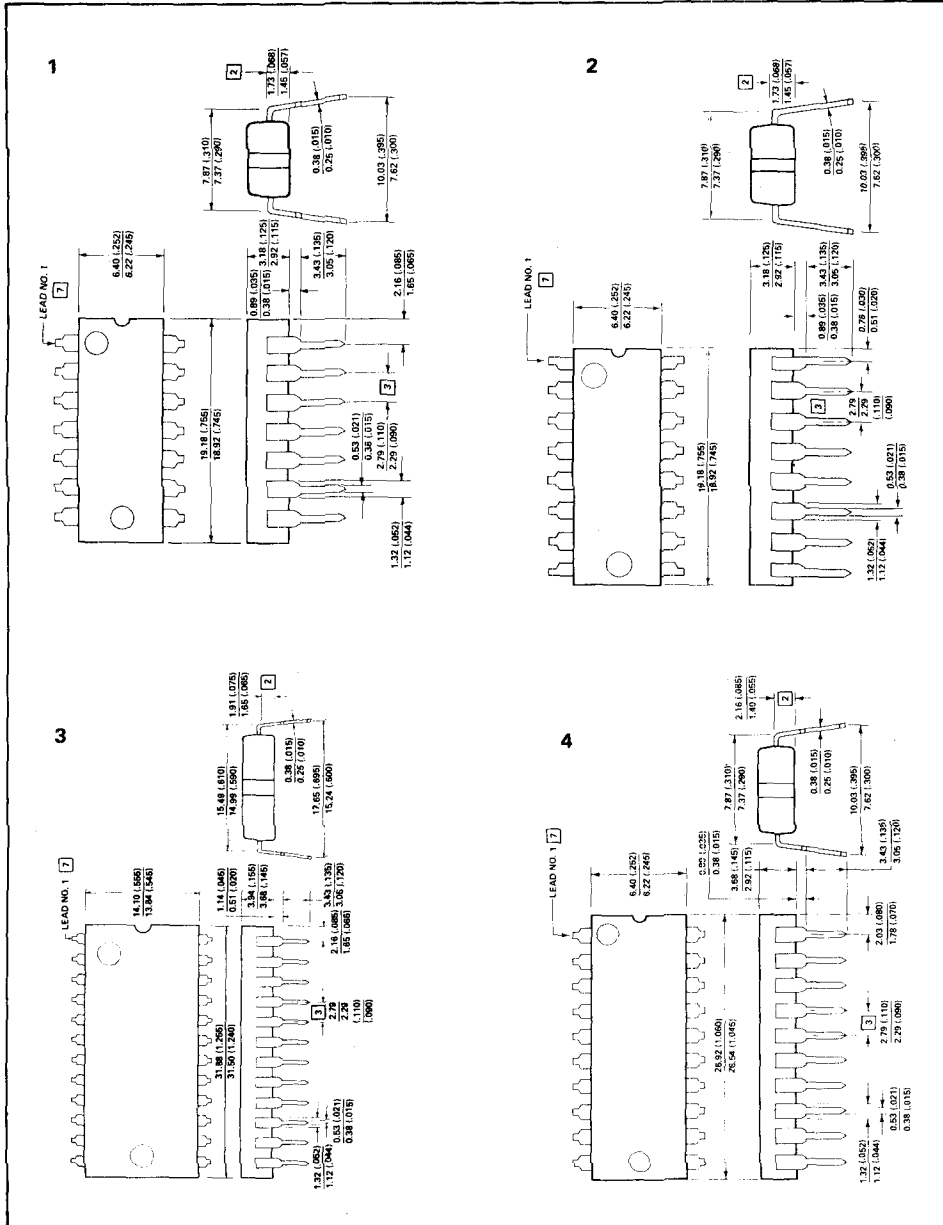


#### REFERENCE TABLE

TYPE NO.	STOCK NO.	OUTLINE DRWG. NO.
N82S104N	56480X	5
N82S105N	56481H	5

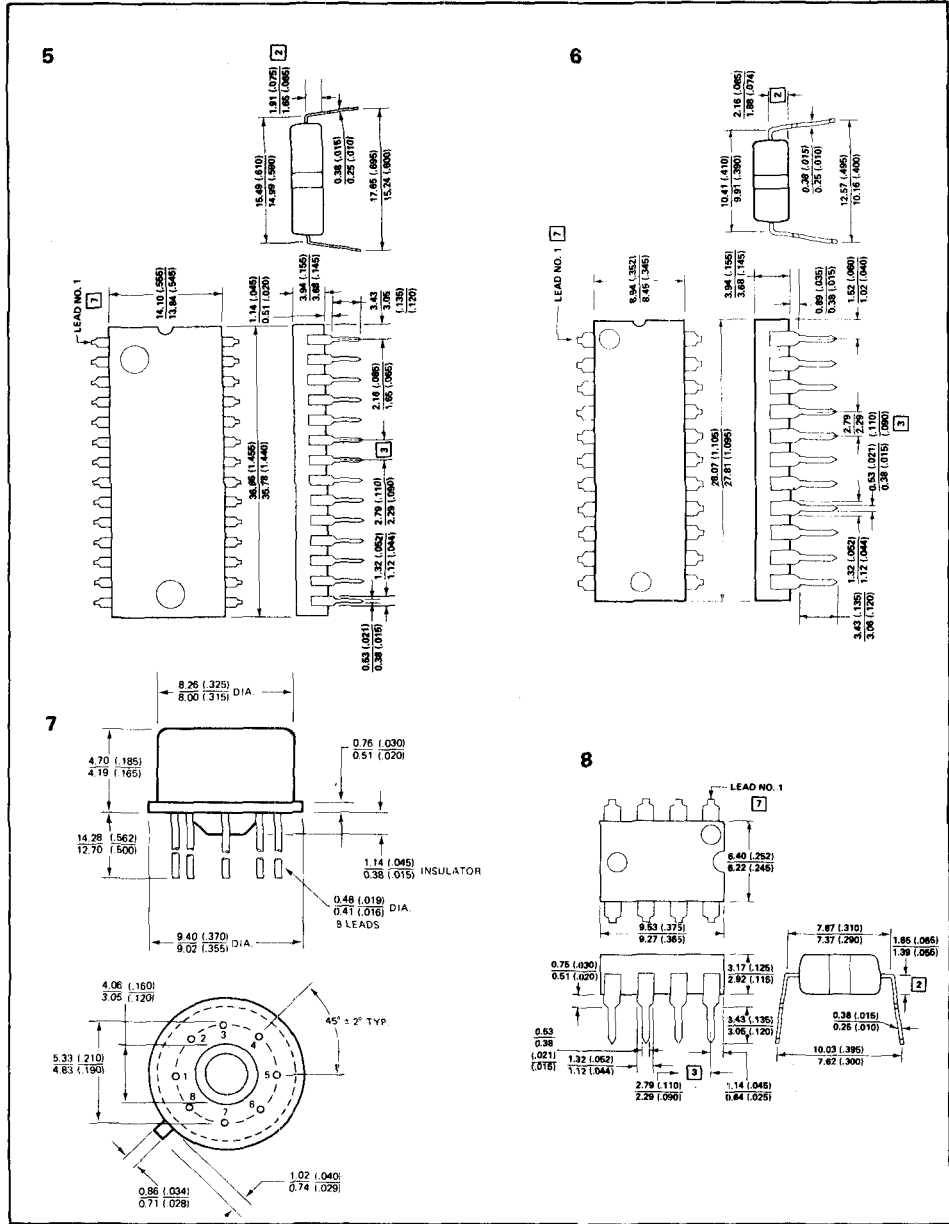
PLEASE QUOTE STOCK NO.  
AND MANUFACTURERS PART NO. WHEN ORDERING

**TTL GEMINI**

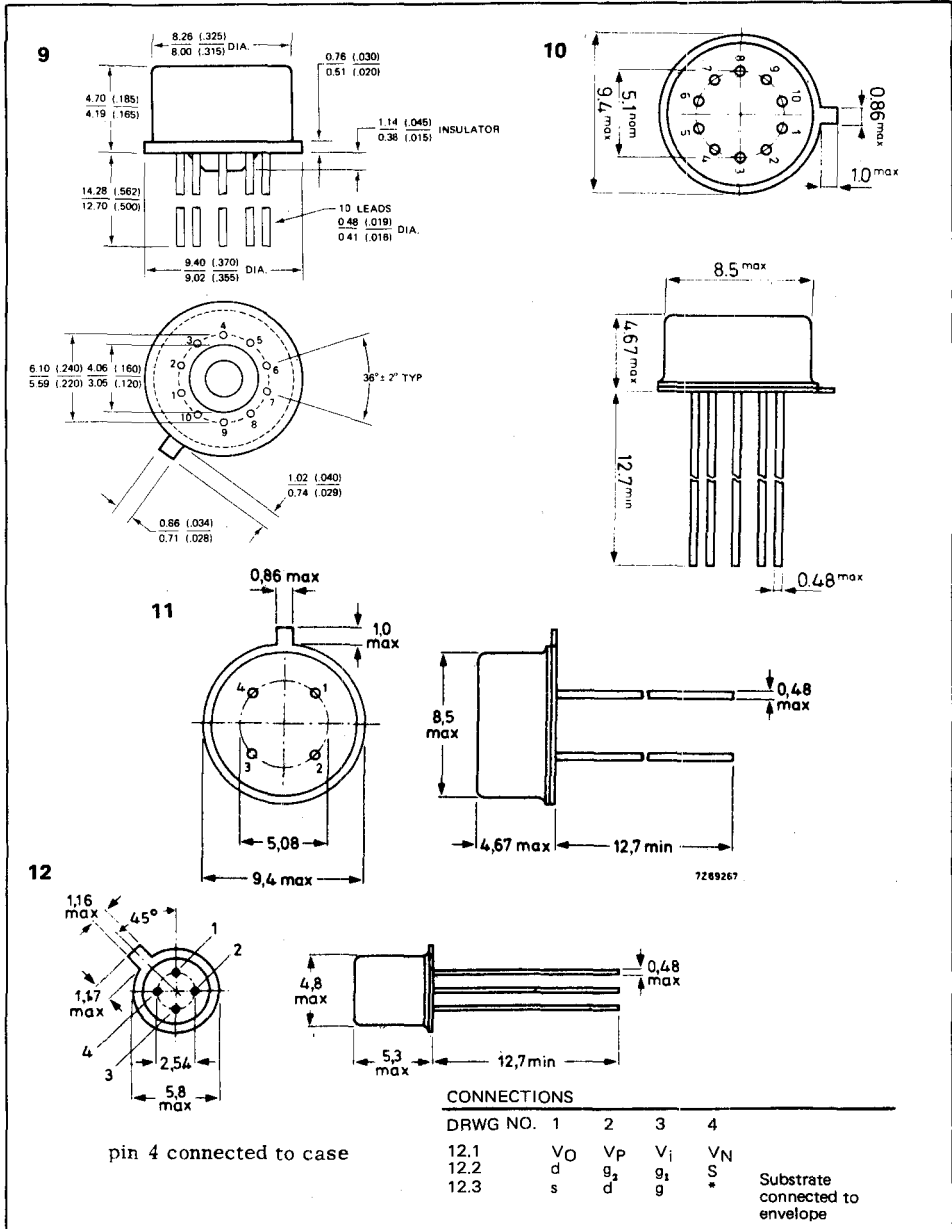


PLEASE QUOTE STOCK NO.  
AND MANUFACTURERS PART NO. WHEN ORDERING



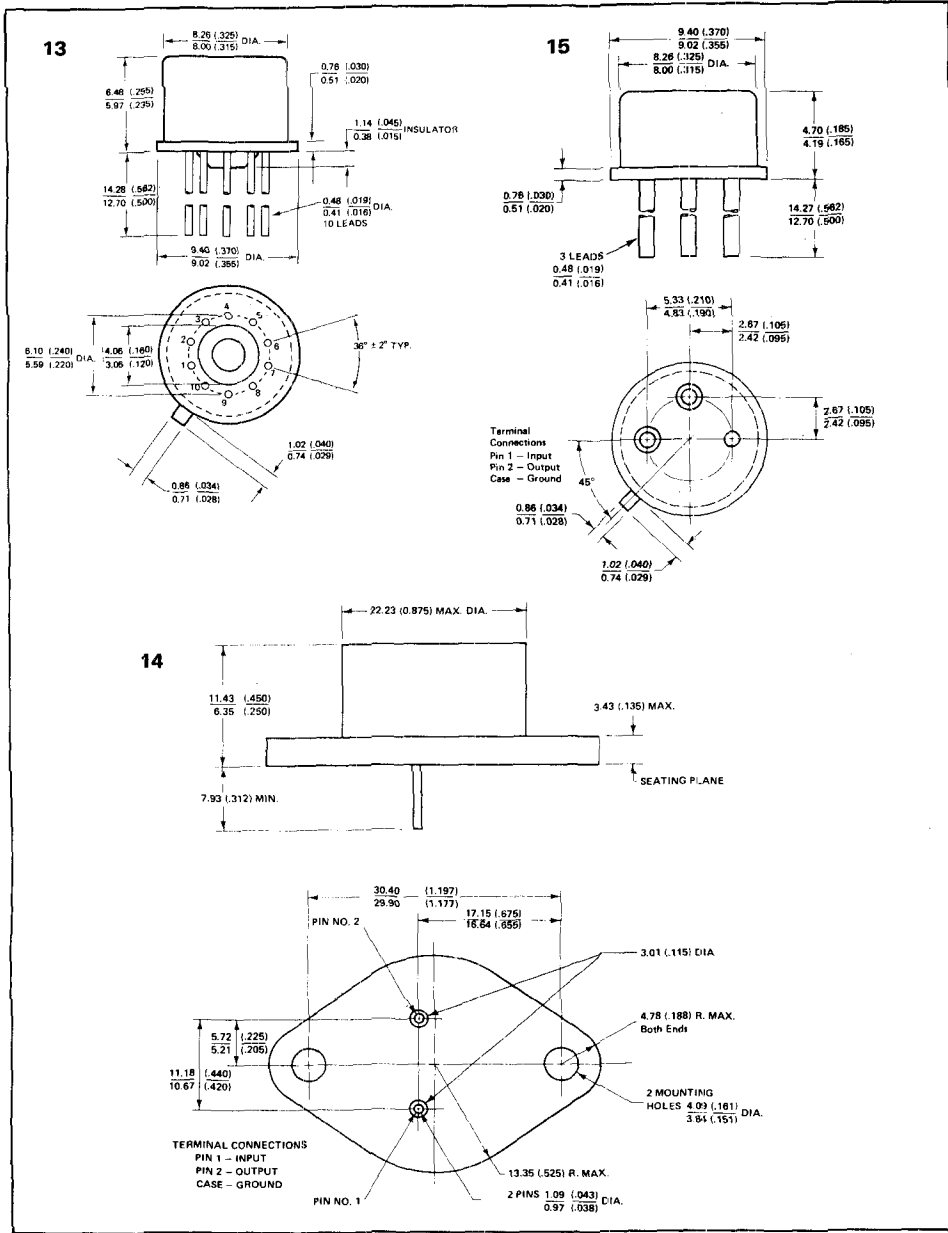


FOR CURRENT PRICES PHONE  
HARLOW (0279) 29644

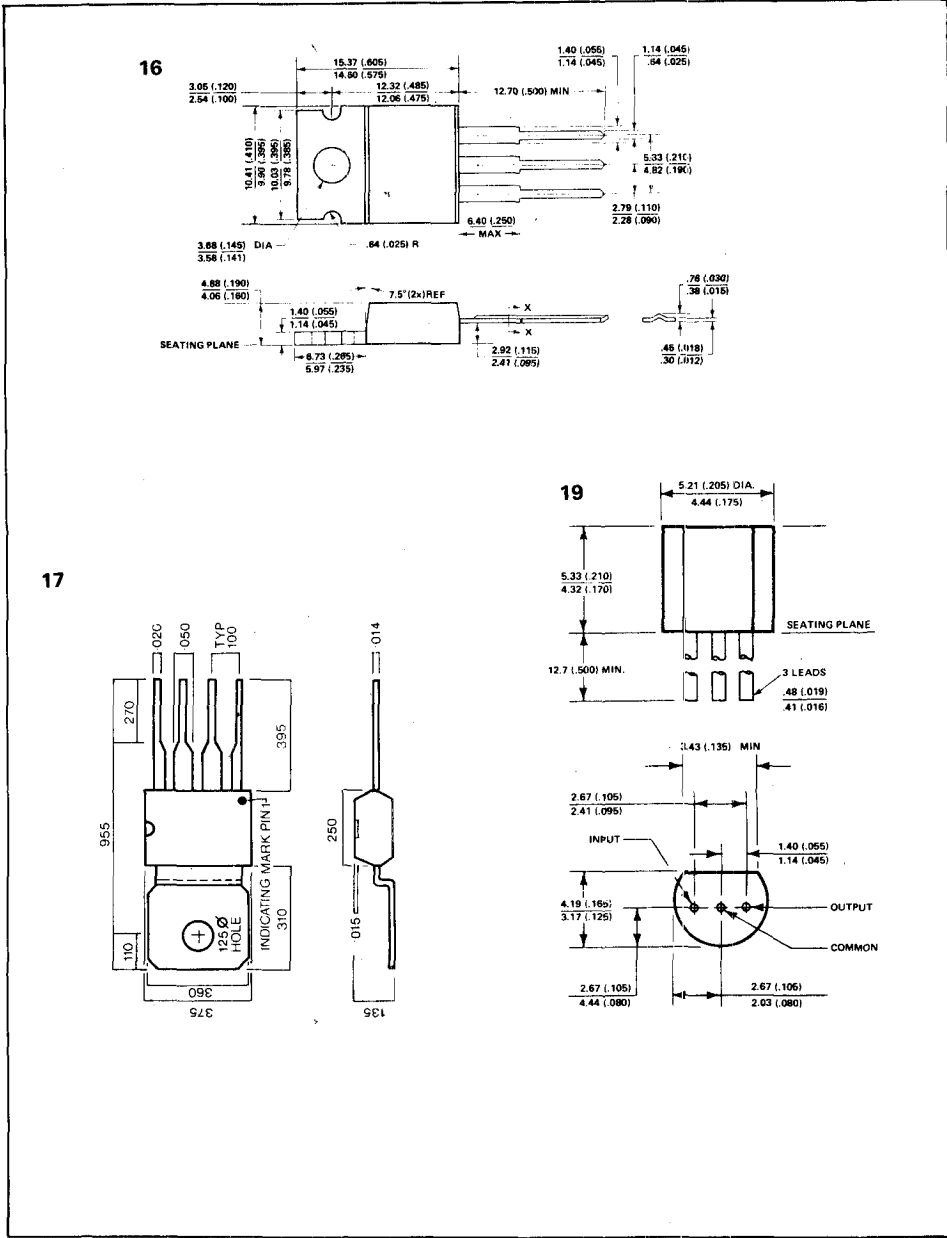


PLEASE QUOTE STOCK NO.  
AND MANUFACTURERS PART NO. WHEN ORDERING





FOR CURRENT PRICES PHONE  
 HARLOW (0279) 29644



PLEASE QUOTE STOCK NO.  
AND MANUFACTURER PART NO. WHEN ORDERING



