

To : _____

Specification of FDTC TFT-LCD module

NA19020-C262

Approval

Date :

By :

This Product is designed, developed and manufactured as contemplated for general use, including without limitation, general office use, personal use, household use, and ordinary industrial use, but is not designed, developed and manufactured as contemplated for use accompanying fatal risks or dangers that, unless extremely high safety is secured, could lead directly to death, personal injury, severe physical damage or other loss (hereinafter "High Safety Required Use"), including without limitation, nuclear reaction control in nuclear facility, aircraft flight control, air traffic control, mass transport control, medical life support system, missile launch control in weapon system. Fujitsu shall not be liable against the Customer and/or any third party for any claims or damages arising in connection with the High Safety Required Use of the Product without permission.

Specification No. : Tech Bes LCD-00067

Issue Date : Oct 10, 2003

Issued by :

F. Yamada

F. Yamada
Director
Products Engineering Dept.
LCD Products Div.

FUJITSU DISPLAY TECHNOLOGIES CORPORATION

A

A

Specification of TFT-LCD module

B

B

Model No. : NA19020-C262

C

C

D

D

DOCUMENT CONTROL SECTION

DATE

E

| | | | | | | | |
|--------|----------|-----------|-------------|----------|----------------|--|--|
| | | | | | | TITLE NA19020-C262 | |
| | | | | | | DRAW. NO. Tech Bes LCD-00067 | |
| | | | | | | CUST. | |
| 02 | 20031010 | M.Nishido | Y.Furukoshi | F.Yamada | Total Revision | | |
| EDIT | DATE | DESIG. | CHECK | APPR. | DESCRIPTION | | |
| DESIG. | | | CHECK | | | APPR. | |
| | | | | | | FUJITSU DISPLAY TECHNOLOGIES CORPORATION | |
| | | | | | | 1 / | |

F

TABLE OF CONTENTS

| | | | |
|---|--|-------|---|
| A | 1.APPLICATIONS..... | 2 | A |
| | 2.PRODUCT NAME AND MODEL NUMBER | | |
| | 2-1.Product Name..... | 2 | |
| | 2-2.Model Name..... | 2 | |
| | 3.OVERVIEW | 2 | |
| | 4.CONFIGURATION | 2,3 | |
| | 5.MECHANICAL SPECIFICATIONS | 3 | |
| B | 6.ABSOLUTE MAXIMUM RATINGS | 4 | B |
| | 7.RECOMMENDED OPERATING CONDITIONS | 4 | |
| | 8.ELECTRICAL SPECIFICATIONS | 5,6 | |
| | 9.OPTICAL SPECIFICATIONS..... | 7-11 | |
| | 10.INTERFACE SPECIFICATIONS | | |
| | 10-1.Signal descriptions..... | 12 | |
| | 10-2.Color Data Assignment..... | 13 | |
| | 10-3.Input Signal Timing..... | 14,15 | |
| | 10-4.Correspondence between Data and Display Position..... | 16 | |
| C | 10-5.Power Supply Sequence..... | 16 | C |
| | 11.BACKLIGHT SPECIFICATIONS | | |
| | 11-1.Pin Configuration for Backlight..... | 17 | |
| | 11-2.CCFL..... | 17 | |
| | 11-3.Life..... | 17 | |
| | 11-4.Lamp Assembly Set (for Replacement)..... | 17 | |
| | 12.APPEARANCE SPECIFICATIONS | 18 | |
| D | 12-1.Appearance | 18 | D |
| | 12-2.Dot defects | 18 | |
| | 13ENVIRONMENTAL SPECIFICATIONS | 18 | |
| | 14INDICATIONS | 19 | |
| | 15PACKAGING | | |
| | 151.Packaging Specifications | 19 | |
| | 152.Packaging Method..... | 19-23 | |
| | 16PRECAUTIONS | 24-27 | |
| | 17PRECAUTIONS FOR USE | 27 | |
| | 18MISCELLANEOUS | 27 | |
| | | | E |

DATE DOCUMENT CONTROL SECTION

| | | | | | | | |
|------|------|--------|-------|-------|-------------|--|--|
| | | | | | | TITLE NA19020-C262 | |
| | | | | | | DRAW. NO. Tech Bes LCD-00067 | |
| | | | | | | CUST. | |
| EDIT | DATE | DESIG. | CHECK | APPR. | DESCRIPTION | FUJITSU DISPLAY TECHNOLOGIES CORPORATION | |
| | | | | | | 2 / | |

1. APPLICATION

This specification is applied to the 15.0 in. XGA supported TFT-LCD module.

29

2. PRODUCT NAME AND MODEL NUMBER

2-1 Product Name : LCD Module

2-2 Model Number : NA19020-C262

3. OVERVIEW

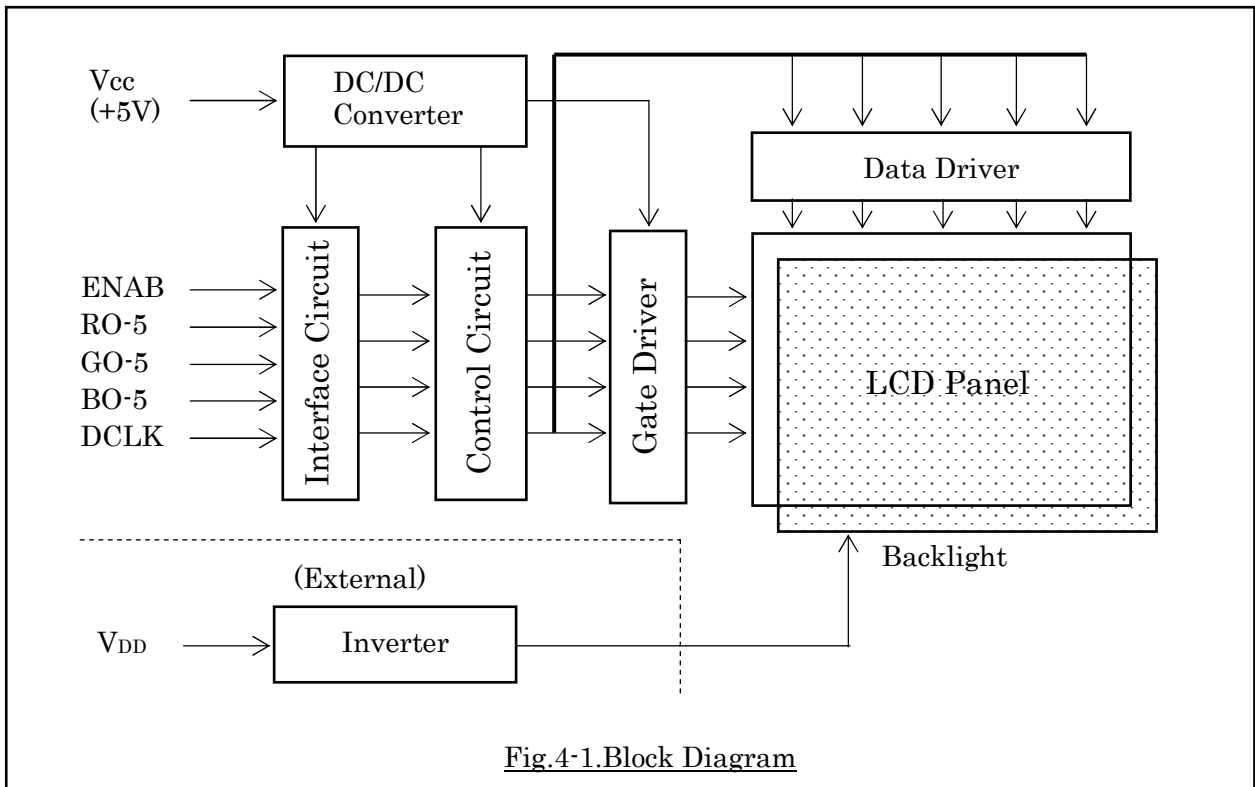
This LCD module has a TFT active matrix type liquid crystal panel 1024×768 pixels, and diagonal size of 38cm (15.0-inch). This module supports 1024×768 XGA mode (Non-interlace). This LCD has a digital RGB interface and can display 262,144 colors. Timing control signal is “Data enable signal : ENAB” only. (Data enable mode) Even and odd data are transmitted at the same timing in the interface, so data lines are 36. (R, G, B each 6 bit ×2) The signal level of this interface is +3.3V CMOS level or 5V TTL level. The power supply of this LCD module is +5v DC single.

4. CONFIGURATION

This LCD module consists of a color TFT-LCD panel that is mounted with TFT driver ICs and a cold-cathode fluorescent tube back-light. The inverter for the back-light is not included. Figure 4-1 shows a block diagram of this LCD module.

| |
|--------------------------|
| DOCUMENT CONTROL SECTION |
| DATE |

| | | | | | | | |
|--------|------|--------|-------|-------|-------------|--|--|
| | | | | | | TITLE NA19020-C262 | |
| | | | | | | DRAW. NO. Tech Bes LCD-00067 | |
| | | | | | | CUST. | |
| EDIT | DATE | DESIG. | CHECK | APPR. | DESCRIPTION | FUJITSU DISPLAY TECHNOLOGIES CORPORATION | |
| DESIG. | | | CHECK | | APPR. | 3 / | |



5. MECHANICAL SPECIFICATIONS

Table 5-1 shows the mechanical specifications of this LCD module.

Table 5-1. Mechanical Specifications

| Item | Specifications | Unit | Remark |
|--------------------|--|------|---|
| Dimensions | 347.3×263.5×15.8(TYP.) (Excluding I/F Connector and fixing parts) | mm | Edge type backlight is used. (φ2.6 CCFL×4) Outward Appearance is shown at page 31 and 32. |
| Display Resolution | (1024×3) ×768 | — | |
| Display Dot Area | 304.1×228.1 | mm | |
| Dot Pitch | (0.099×3) ×0.297 | mm | |
| Aspect Ratio | 1 : 1 | — | |
| Weight | 1,400typ, 1,600max | g | |
| FG-SG | Short circuit | — | |

DOCUMENT CONTROL SECTION

| | | | | | | |
|--------|------|--------|-------|-------|--|--|
| | | | | | TITLE NA19020-C262 | |
| | | | | | DRAW. NO. Tech Bes LCD-00067 | |
| | | | | | CUST. | |
| EDIT | DATE | DESIG. | CHECK | APPR. | DESCRIPTION | |
| DESIG. | | | CHECK | | FUJITSU DISPLAY TECHNOLOGIES CORPORATION | |
| | | | | | 4 / | |

6. ABSOLUTE MAXIMUM RATINGS

Table 6-1 shows the absolute maximum rating of this LCD module.

Table 6-1. Absolute Maximum Ratings

| Item | Symbol | Condition | MIN. | TYP. | MAX. | Unit |
|----------------|-----------------|-----------|------|------|----------------------|------|
| Supply Voltage | V _{CC} | Ta=25°C | -0.3 | — | 6.0 | V |
| Input Voltage | V _{IN} | Ta=25°C | -0.3 | — | V _{CC} +0.3 | V |

7. RECOMMENDED OPERATING CONDITIONS

Table 7-1 shows the recommended operating conditions of this LCD module.

Table 7-1. Recommended Operating Conditions

| Item | Symbol | MIN. | TYP. | MAX. | Unit |
|------------------------|-----------------|-----------------|------|------|--------|
| Supply Voltage (Logic) | V _{CC} | 4.75 | 5.0 | 5.25 | V |
| Ripple Voltage | V _{CC} | V _{RP} | — | — | 100 mV |

DATE DOCUMENT CONTROL SECTION

| | | | | | | | |
|--------|------|--------|-------|-------|-------------|--|--|
| | | | | | | TITLE NA19020-C262 | |
| | | | | | | DRAW. NO. Tech Bes LCD-00067 | |
| | | | | | | CUST. | |
| EDIT | DATE | DESIG. | CHECK | APPR. | DESCRIPTION | FUJITSU DISPLAY TECHNOLOGIES CORPORATION | |
| DESIG. | | | CHECK | | APPR. | 5 / | |

8. ELECTRICAL SPECIFICATIONS

Table 8-1 shows the electrical specifications of this LCD module.

Table 8-1. Electrical Specifications

| Item | Symbol | Condition | MIN. | TYP. | MAX. | Unit | Remark |
|--|------------------|--|-----------------|------|-----------------|------------------|--------|
| Supply Current | I _{CC} | V _{CC} =+5.0±0.25V V _{SS} =0V | — | 380 | 800 | mA | *1 |
| “H” Level Logic Input Voltage | V _{IH} | DCLK=32.505MHz | 2.3 | — | V _{CC} | V | |
| “L” Level Logic Input Voltage | V _{IL} | | V _{SS} | — | 0.9 | V | |
| Leak Current (Logic Input) | I _{IL} | | -5 | — | +5 | μA | |
| Supply Rush Current | I _{SCC} | | — | — | 5.5 | A | *2 |
| Supply Rush Current Duration (1A excess) | T _{SCC} | | — | — | 0.4 | ms | |
| Contrast Regulation VR | R _{VR} | | 0 | — | 100 | kΩ | |
| CCFL Turn on Voltage | V _S | f _L =50kHz, T _a =25°C | — | 1324 | 1500 | V _{rms} | |
| | | f _L =50kHz, T _a =0°C | — | 1324 | 1500 | | |
| Lighting Voltage | V _L | f _L =50kHz I _L =7mA | 550 | 580 | 610 | V _{rms} | |
| Lighting Frequency | f _L | V _L =580V _{rms} | 40 | 50 | 60 | kHz | |
| *4 Tube Current | I _L | f _L =50kHz V _L =580V _{rms} | 6 | 7 | 8 | mA | *4 |

- (*1) Typical current value is measured when color bar pattern is displayed at V_{CC}=5.0V. Maximum current value is measured when 55/63 and 63/63 gray scale pattern every 2 pixel is displayed at V_{CC}=4.75V. Without rush current.
- (*2) These items prescribe the rush current for starting internal DC/DC. Charging current to capacitors of V_{CC} is not prescribed.
- (*3) Backlight specifications are valid when using a suitable inverter such as the “FLCV-07” of Fujitsu Limited.
- (*4) Tube current (I_L) shows the value of the current that is consumed at one lamp. This LCD module has 4 lamps. Each 2 lamps are placed at upper and lower side of the display. 2 lamps are connected in parallel. Each low voltage terminals are bound into 1 line cable, which connected to the backlight connector.

DOCUMENT CONTROL SECTION

| | | | | | | |
|--------|------|--------|-------|-------|--|-----|
| | | | | | TITLE NA19020-C262 | |
| | | | | | DRAW. NO. Tech Bes LCD-00067 | |
| | | | | | CUST. | |
| EDIT | DATE | DESIG. | CHECK | APPR. | DESCRIPTION | |
| | | | | | FUJITSU DISPLAY TECHNOLOGIES CORPORATION | |
| DESIG. | | | CHECK | | | 6 / |

Note 1) Measurement Circuit

Based on Fig.8-1.

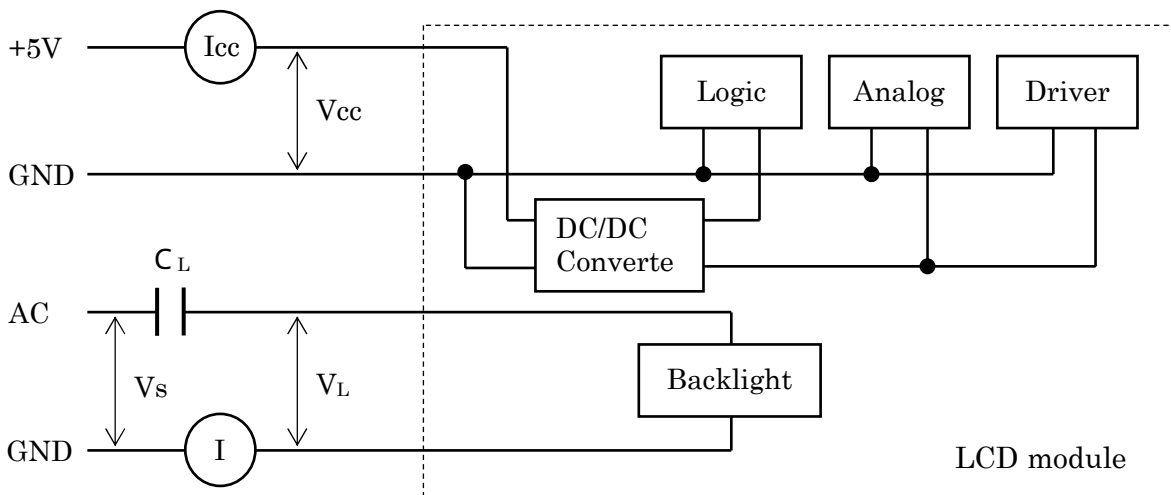
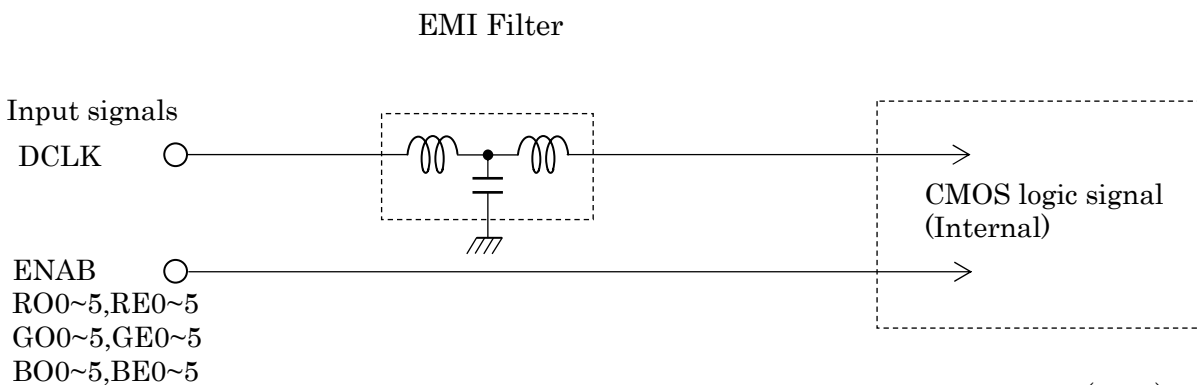


Fig.8-1. Measurement Circuit

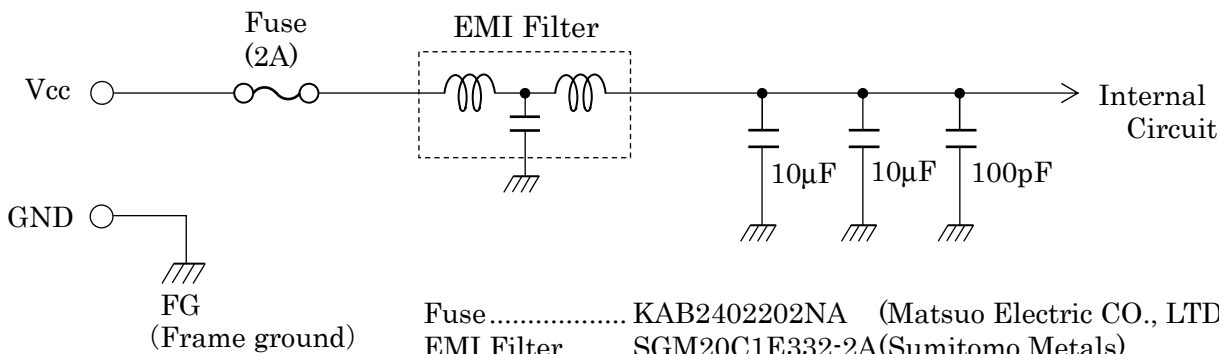
Note 2) Equivalent Circuit

Based on Fig.8-2 (a), (b).



EMI Filter MEM2012TC100(TDK)

Fig.8-2 (a) Equivalent Circuit of Logic Signal Input



Fuse KAB2402202NA (Matsuo Electric CO., LTD.)
EMI Filter SGM20C1E332-2A(Sumitomo Metals)

Fig.8-2 (b) Equivalent Circuit of Power Supply

DOCUMENT CONTROL SECTION

DATE

| | | | | | | | | | |
|------|------|--------|-------|-------|-------------|-----------|--|--------------------|-----|
| | | | | | | TITLE | | NA19020-C262 | |
| | | | | | | DRAW. NO. | | Tech Bes LCD-00067 | |
| | | | | | | | | CUST. | |
| EDIT | DATE | DESIG. | CHECK | APPR. | DESCRIPTION | | FUJITSU DISPLAY TECHNOLOGIES CORPORATION | | 7 / |
| | | | | | | | | | |

9. OPTICAL SPECIFICATIONS

Table 9-1 shows the optical specifications of this LCD module.

Table 9-1. Optical Specifications

Ta=25°C,Signal timing=Typ

| Item | Symbol | Condition | Specifications | | | Unit | Remark | | | | | |
|-------------------------------|------------|--|----------------------------------|------------------------|------|-------|---------|-------------------|--------------------------|-----------|--------|--|
| | | | MIN. | TYP. | MAX. | | | Note | | | | |
| Visual Angle | Horizontal | $\theta_{L,R}$ | $CR \geq 10$ | $\theta_{U,D}=0^\circ$ | 80 | — | — | deg | (1)(2) | | | |
| | Vertical | $\theta_{U,D}$ | | $\theta_{L,R}=0^\circ$ | 80 | — | — | deg | (3)(5)(6) | | | |
| Contrast Ratio | CR | $\theta_{L,R,U,D}=0^\circ$ | | | 210 | 400 | — | — | White/Black (1)(2)(3)(5) | | | |
| Response Time(ON) (B W) | t_{on} | $\theta_{L,R,U,D}=0^\circ$ | $Ta=25^\circ C$ | — | 15 | 30 | ms | | (1)(4)(5) | | | |
| | | | $Ta=0^\circ C$ | — | 50 | 100 | ms | | | | | |
| Response Time(OFF) (W B) | t_{off} | $\theta_{L,R,U,D}=0^\circ$ | $Ta=25^\circ C$ | — | 10 | 25 | ms | | | | | |
| | | | $Ta=0^\circ C$ | — | 50 | 100 | ms | | | | | |
| Brightness | I | $\theta_{L,R,U,D}=0^\circ$ $V_{CC}=5V,$ $I_L=7mA$ $f_L=50kHz$ R^*,G^*,B^* Signal =All "H" | | | 200 | 250 | — | cd/m ² | White*1 (1)(5) | | | |
| Brightness Uniformity | ΔI | | | | 80 | — | — | % | | (1)(5)(7) | | |
| Chromaticity | W | | | | x | 0.283 | 0.313 | 0.343 | — | | (1)(5) | |
| | | | | | y | 0.299 | 0.329 | 0.359 | — | | | |
| | R | | | | x | | (0.643) | | | | | |
| | | | | | y | | (0.353) | | | | | |
| | G | | | | x | | (0.285) | | | | | |
| | | y | | (0.600) | | | | | | | | |
| B | x | | (0.145) | | | | | | | | | |
| | y | | (0.126) | | | | | | | | | |
| LCD Panel Type | | | TFT Color | | | | | | | | | |
| Display Mode | | | Normally Black VA | | | | | | | | | |
| Wide Viewing Angle Technology | | | MVA | | | | | | | | | |
| Optimum Viewing Angle | | | — (symmetry) | | | | | | (6) | | | |
| Display Color | | | 262,144 (6-bit color) | | | | | | | | | |
| Color of non-display area | | | Black | | | | | | | | | |
| Surface Treatment | | | Anti-glare(Haze value : 25%, 2H) | | | | | | | | | |

(*1) Value at 15~20 minutes after lighting on.

(Note) •CS-1000 (MINOLTA Co., Ltd.) , Field=1°, L=500mm

• Back-light current=7mA, Dark room condition(1lux or less)

• Be careful that the luminance meter, which tou use, may not be able to get correct brightness

If it's set correctly.

DOCUMENT CONTROL SECTION

DATE

| | | | | | | | |
|--------|------|--------|-------|-------|--|------------------------------|-----|
| | | | | | | TITLE NA19020-C262 | |
| | | | | | | DRAW. NO. Tech Bes LCD-00067 | |
| | | | | | | CUST. | |
| EDIT | DATE | DESIG. | CHECK | APPR. | DESCRIPTION FUJITSU DISPLAY TECHNOLOGIES CORPORATION | | |
| DESIG. | | | CHECK | | | | 8 / |

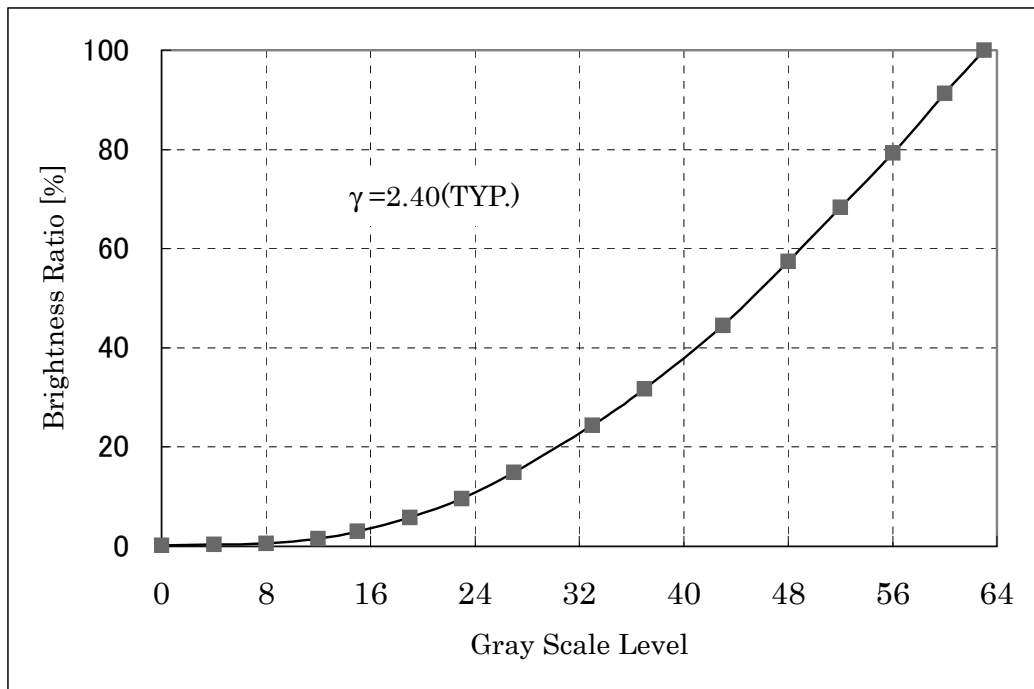


Fig.9-1. γ -Curve (Reference Value)

| | |
|--------------------------|--|
| DATE | |
| DOCUMENT CONTROL SECTION | |

| | | | | | | | |
|--------|------|--------|-------|-------|--|------------------------------|--|
| | | | | | | TITLE NA19020-C262 | |
| | | | | | | DRAW. NO. Tech Bes LCD-00067 | |
| | | | | | | CUST. | |
| EDIT | DATE | DESIG. | CHECK | APPR. | DESCRIPTION | | |
| DESIG. | | | CHECK | | FUJITSU DISPLAY TECHNOLOGIES CORPORATION | | |
| | | | | | | 9 / | |

Note 1) Definition of Viewing Angle (1)

Based on Fig.9-2.

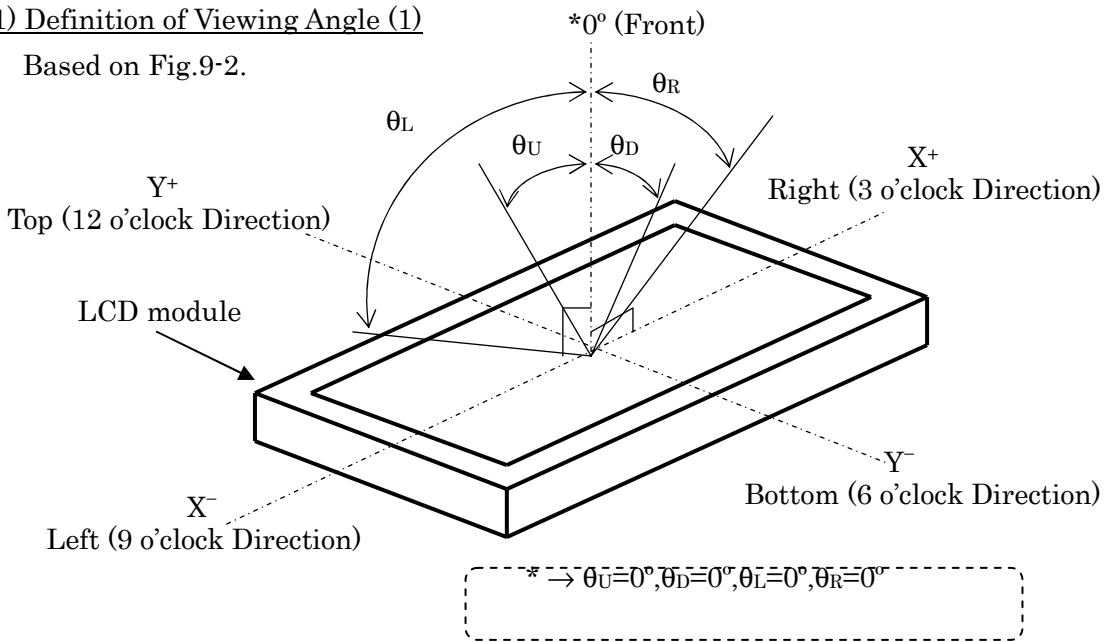


Fig.9-2. Definition of Viewing Angle (1)

Note 2) Definition of Viewing Angle (2)

Based on Fig.9-3.

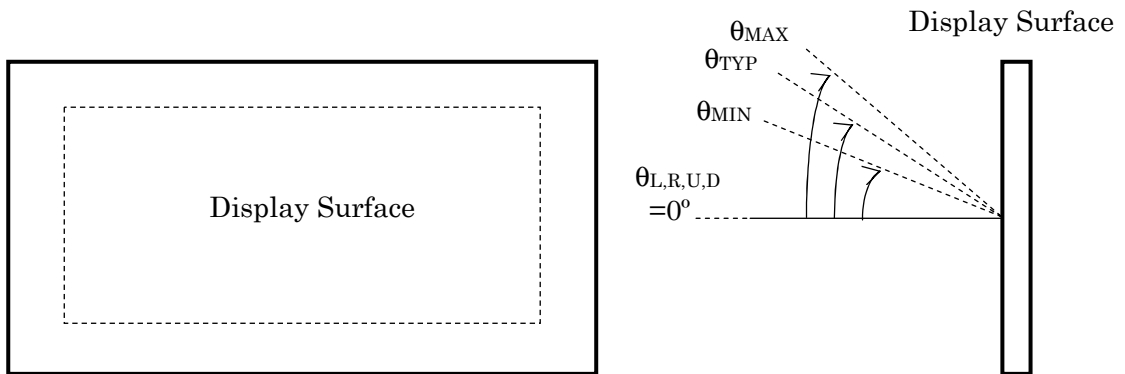


Fig.9-3. Definition of Viewing Angle (2)

Note 3) Definition of Contrast Ratio (CR)

Determined by Formula (1) based on Fig.9-4. Voltage-Brightness Characteristics.

$$= \frac{L_W \text{ (Brightness at white)}}{L_B \text{ (Brightness at black)}} \quad \text{----- (1)}$$

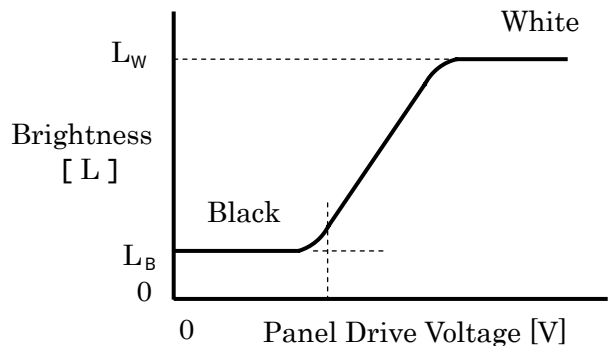


Fig.9-4. Voltage-Brightness Characteristics

DOCUMENT CONTROL SECTION

DATE

| | | | | | | | | | | |
|--------|------|--------|-------|-------|-------------|--------------------|--|--------------|--|-----|
| | | | | | | TITLE | | NA19020-C262 | | |
| | | | | | | DRAW. NO. | | | CUST. | |
| | | | | | | Tech Bes LCD-00067 | | | | |
| EDIT | DATE | DESIG. | CHECK | APPR. | DESCRIPTION | | | | FUJITSU DISPLAY TECHNOLOGIES CORPORATION | 10/ |
| DESIG. | | | CHECK | | | APPR. | | | | |

Note 4) Definition of Response Time

Based on Fig.9-5.

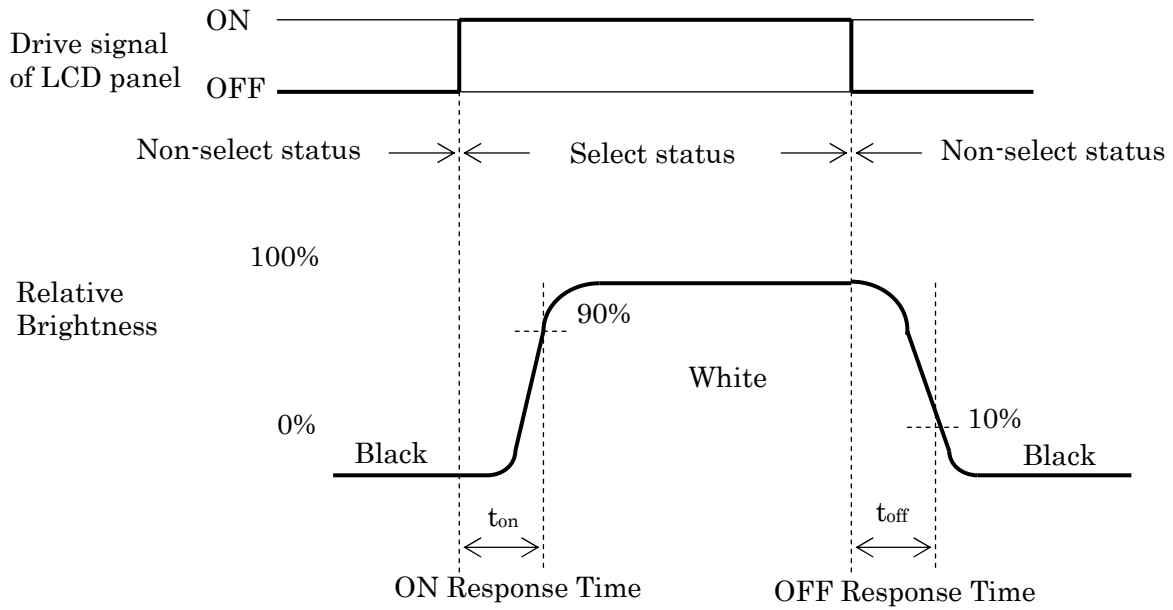


Fig.9-5. Definition of Response Time

Note 5) Contrast Ratio and Response Measurement System

Based on Fig.9-6.

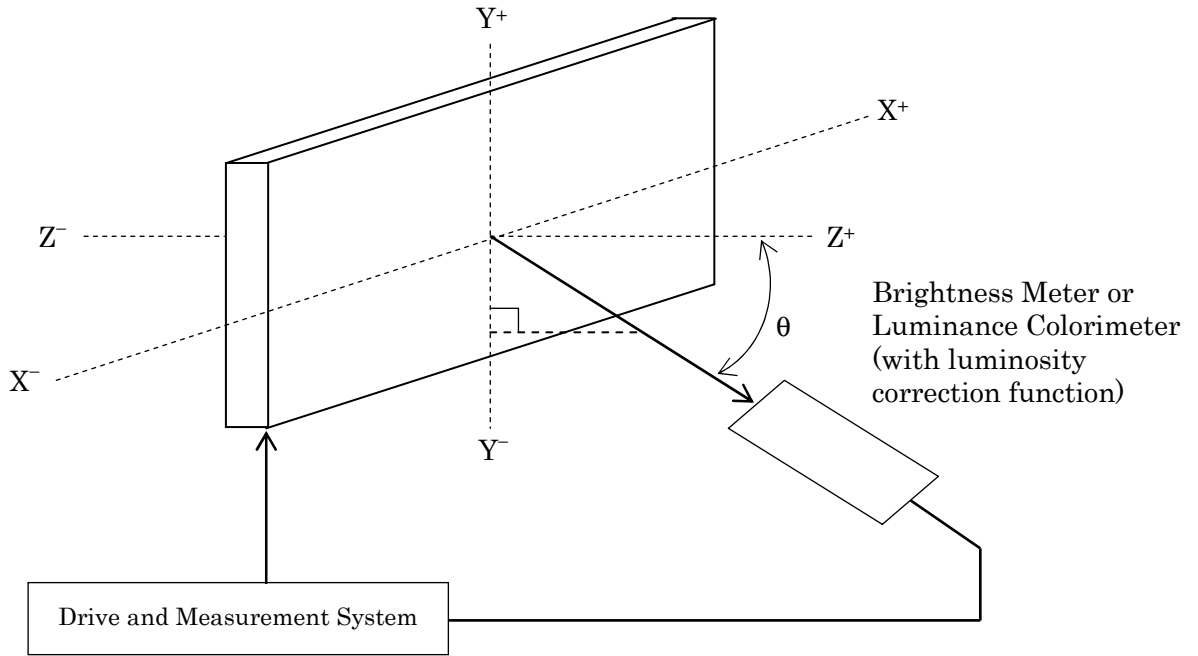


Fig.9-6. Contrast Ratio and Response Time Measurement System

DOCUMENT CONTROL SECTION

| | | | | | | | |
|--------|------|--------|-------|-------|-------------|--|--|
| | | | | | | TITLE NA19020-C262 | |
| | | | | | | DRAW. NO. Tech Bes LCD-00067 | |
| | | | | | | CUST. | |
| EDIT | DATE | DESIG. | CHECK | APPR. | DESCRIPTION | FUJITSU DISPLAY TECHNOLOGIES CORPORATION | |
| DESIG. | | | CHECK | APPR. | | 11/ | |

Note 6) Definition of Optimum Viewing Angle

Based on Fig.9-7.

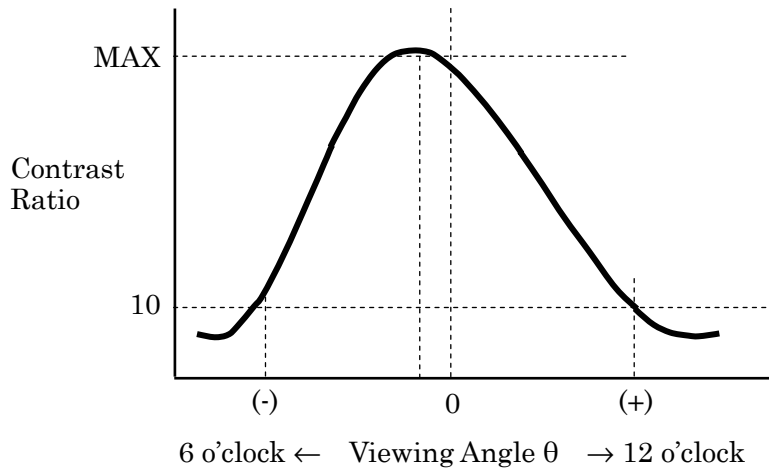


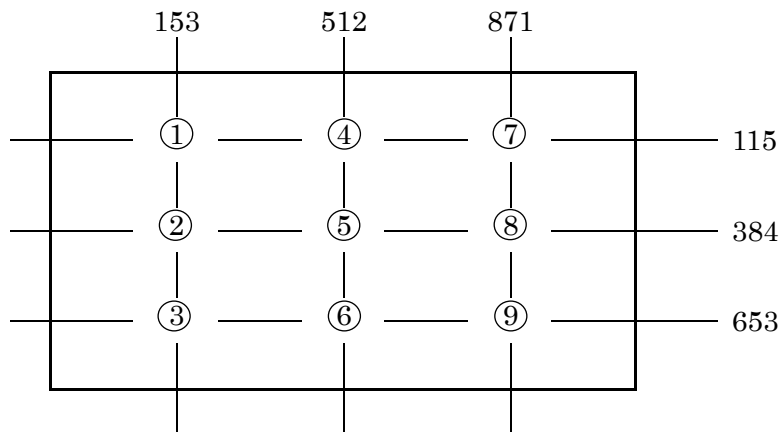
Fig.9-7. Definition of Viewing Angle

Note 7) Definition of Brightness Uniformity

Brightness uniformity is defined by the following formula.

Brightness (I1~I9) are measured at the following 9 points (① ~ ⑨) on the display area shown in Fig.9-8.

$$\text{Brightness Uniformity } (\Delta L) = \frac{|\text{Min. In}|}{|\text{Max. In}|} \times 100 (\%), n=1 \text{ to } 9$$



Note) Each measurement point (① ~ ⑨) defines the center spot of Brightness Meter view. The tolerance of measurement position is $\pm 5\text{mm}$.

Fig.9-8. Measurement Points

DATE DOCUMENT CONTROL SECTION

| | | | | | | | |
|--------|------|--------|-------|-------|--|------------------------------|--|
| | | | | | | TITLE NA19020-C262 | |
| | | | | | | DRAW. NO. Tech Bes LCD-00067 | |
| | | | | | | CUST. | |
| EDIT | DATE | DESIG. | CHECK | APPR. | DESCRIPTION | | |
| DESIG. | | | CHECK | | FUJITSU DISPLAY TECHNOLOGIES CORPORATION | | |
| | | | | | | 12/ | |

10. INTERFACE SPECIFICATIONS

10-1. Signal descriptions

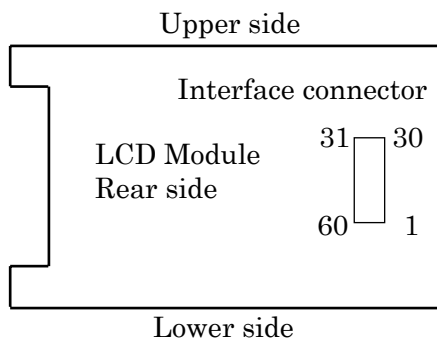
Table 10-1 shows the description and configuration of Interface signals (CN1).

Table 10-1. Interface signals (CN1)

| Pin No. | Symbol | I/O | Function | Pin No. | Symbol | I/O | Function |
|---------|--------|-----|-------------------|---------|--------|-----|-------------------------|
| 1 | GND | — | Ground | 31 | GO1 | I | Green odd data 1 |
| 2 | RE0 | I | Red even data 0 | 32 | GO2 | I | Green odd data 2 |
| 3 | RE1 | I | Red even data 1 | 33 | GO3 | I | Green odd data 3 |
| 4 | RE2 | I | Red even data 2 | 34 | GO4 | I | Green odd data 4 |
| 5 | RE3 | I | Red even data 3 | 35 | GO5 | I | Green odd data 5 |
| 6 | RE4 | I | Red even data 4 | 36 | GND | — | Ground |
| 7 | RE5 | I | Red even data 5 | 37 | BO0 | I | Blue odd data 0 |
| 8 | GND | — | Ground | 38 | BO1 | I | Blue odd data 1 |
| 9 | GE0 | I | Green even data 0 | 39 | BO2 | I | Blue odd data 2 |
| 10 | GE1 | I | Green even data 1 | 40 | BO3 | I | Blue odd data 3 |
| 11 | GE2 | I | Green even data 2 | 41 | BO4 | I | Blue odd data 4 |
| 12 | GE3 | I | Green even data 3 | 42 | BO5 | I | Blue odd data 5 |
| 13 | GE4 | I | Green even data 4 | 43 | GND | — | Ground |
| 14 | GE5 | I | Green even data 5 | 44 | PULL | I | (*2) |
| 15 | GND | — | Ground | 45 | PULL | I | (*2) |
| 16 | BE0 | I | Blue even data 0 | 46 | ENAB | I | Data enable signal |
| 17 | BE1 | I | Blue even data 1 | 47 | GND | — | Ground |
| 18 | BE2 | I | Blue even data 2 | 48 | GND | — | Ground |
| 19 | BE3 | I | Blue even data 3 | 49 | DCLK | I | Dot clock signal |
| 20 | BE4 | I | Blue even data 4 | 50 | GND | — | Ground |
| 21 | BE5 | I | Blue even data 5 | 51 | GND | — | Ground |
| 22 | GND | — | Ground | 52 | SS | — | SS function ON/OFF (*1) |
| 23 | RO0 | I | Red odd data 0 | 53 | N.C. | — | — |
| 24 | RO1 | I | Red odd data 1 | 54 | GND | — | Ground |
| 25 | RO2 | I | Red odd data 2 | 55 | GND | — | Ground |
| 26 | RO3 | I | Red odd data 3 | 56 | GND | — | Ground |
| 27 | RO4 | I | Red odd data 4 | 57 | VDD | — | +5V Power supply |
| 28 | RO5 | I | Red odd data 5 | 58 | VDD | — | +5V Power supply |
| 29 | GND | — | Ground | 59 | VDD | — | +5V Power supply |
| 30 | GO0 | I | Green odd data 0 | 60 | VDD | — | +5V Power supply |

(*1) SS (Spread Spectrum):SS function is ON when signal level is high or N.C..(generally set up N.C.)
 SS function is OFF when signal level is low.

(*2).Connect it to GND for the protection of internal circuit.



Connector : 52760-0600 (Molex)
 User's connector : 53475-0600 (Molex)

DOCUMENT CONTROL SECTION

DATE

| | | | | | | | | |
|--------|------|--------|-------|-------|--------------------|--|--|-------|
| | | | | | TITLE | | NA19020-C262 | |
| | | | | | DRAW. NO. | | | CUST. |
| | | | | | Tech Bes LCD-00067 | | | |
| EDIT | DATE | DESIG. | CHECK | APPR. | DESCRIPTION | | FUJITSU DISPLAY TECHNOLOGIES CORPORATION | |
| DESIG. | | | CHECK | | | | 13/ | |

10-2. Color Data Assignment

Table 10-2 shows the color data assignment.

Table 10-2. Color Data Assignment

| Color | R Input data | | | | | | G Input data | | | | | | B Input data | | | | | | |
|-------------|--------------|-------|-------|-------|-------|-------|--------------|-------|-------|-------|-------|-------|--------------|-------|-------|-------|-------|-------|-----|
| | Odd Even | R05 | R04 | R03 | R02 | R01 | R00 | G05 | G04 | G03 | G02 | G01 | R00 | B05 | B04 | B03 | B02 | B01 | B00 |
| | | RE5 | RE4 | RE3 | RE2 | RE1 | RE0 | GE5 | GE4 | GE3 | GE2 | GE1 | GE0 | BE5 | BE4 | BE3 | BE2 | BE1 | BE0 |
| Basic Color | Black | 0 | 0 | 0 | 0 | 0 | 0 | 0 | 0 | 0 | 0 | 0 | 0 | 0 | 0 | 0 | 0 | 0 | |
| | Blue | 0 | 0 | 0 | 0 | 0 | 0 | 0 | 0 | 0 | 0 | 0 | 1 | 1 | 1 | 1 | 1 | 1 | |
| | Green | 0 | 0 | 0 | 0 | 0 | 0 | 1 | 1 | 1 | 1 | 1 | 1 | 0 | 0 | 0 | 0 | 0 | |
| | Cyan | 0 | 0 | 0 | 0 | 0 | 0 | 1 | 1 | 1 | 1 | 1 | 1 | 1 | 1 | 1 | 1 | 1 | |
| | Red | 1 | 1 | 1 | 1 | 1 | 1 | 0 | 0 | 0 | 0 | 0 | 0 | 0 | 0 | 0 | 0 | 0 | |
| | Magenta | 1 | 1 | 1 | 1 | 1 | 1 | 0 | 0 | 0 | 0 | 0 | 0 | 1 | 1 | 1 | 1 | 1 | |
| | Yellow | 1 | 1 | 1 | 1 | 1 | 1 | 1 | 1 | 1 | 1 | 1 | 1 | 1 | 1 | 1 | 1 | 1 | |
| | White | 1 | 1 | 1 | 1 | 1 | 1 | 1 | 1 | 1 | 1 | 1 | 1 | 0 | 0 | 0 | 0 | 0 | |
| Red | Black | 0 | 0 | 0 | 0 | 0 | 0 | 0 | 0 | 0 | 0 | 0 | 0 | 0 | 0 | 0 | 0 | 0 | |
| | ↑ | 1 | 0 | 0 | 0 | 0 | 0 | 1 | 0 | 0 | 0 | 0 | 0 | 0 | 0 | 0 | 0 | 0 | |
| | ↑ | | | | | | | | | | | | | | | | | | |
| | ↓ | | | | | | | | | | | | | | | | | | |
| | Brighter | 61 | 1 | 1 | 1 | 1 | 0 | 1 | 0 | 0 | 0 | 0 | 0 | 0 | 0 | 0 | 0 | 0 | |
| | ↓ | 62 | 1 | 1 | 1 | 1 | 1 | 0 | 0 | 0 | 0 | 0 | 0 | 0 | 0 | 0 | 0 | 0 | |
| Red | 63 | 1 | 1 | 1 | 1 | 1 | 1 | 0 | 0 | 0 | 0 | 0 | 0 | 0 | 0 | 0 | 0 | | |
| Green | Black | 0 | 0 | 0 | 0 | 0 | 0 | 0 | 0 | 0 | 0 | 0 | 0 | 0 | 0 | 0 | 0 | 0 | |
| | ↑ | 1 | 0 | 0 | 0 | 0 | 0 | 0 | 0 | 0 | 0 | 1 | 0 | 0 | 0 | 0 | 0 | 0 | |
| | ↑ | | | | | | | | | | | | | | | | | | |
| | ↓ | | | | | | | | | | | | | | | | | | |
| | Brighter | 61 | 0 | 0 | 0 | 0 | 0 | 0 | 1 | 1 | 1 | 1 | 0 | 1 | 0 | 0 | 0 | 0 | |
| | ↓ | 62 | 0 | 0 | 0 | 0 | 0 | 0 | 1 | 1 | 1 | 1 | 1 | 0 | 0 | 0 | 0 | 0 | |
| Green | 63 | 0 | 0 | 0 | 0 | 0 | 0 | 1 | 1 | 1 | 1 | 1 | 0 | 0 | 0 | 0 | 0 | | |
| Blue | Black | 0 | 0 | 0 | 0 | 0 | 0 | 0 | 0 | 0 | 0 | 0 | 0 | 0 | 0 | 0 | 0 | 0 | |
| | ↑ | 1 | 0 | 0 | 0 | 0 | 0 | 0 | 0 | 0 | 0 | 0 | 0 | 0 | 0 | 0 | 0 | 1 | |
| | ↑ | | | | | | | | | | | | | | | | | | |
| | ↓ | | | | | | | | | | | | | | | | | | |
| | Brighter | 61 | 0 | 0 | 0 | 0 | 0 | 0 | 0 | 0 | 0 | 0 | 0 | 1 | 1 | 1 | 1 | 0 | 1 |
| | ↓ | 62 | 0 | 0 | 0 | 0 | 0 | 0 | 0 | 0 | 0 | 0 | 0 | 1 | 1 | 1 | 1 | 1 | 0 |
| Blue | 63 | 0 | 0 | 0 | 0 | 0 | 0 | 0 | 0 | 0 | 0 | 0 | 1 | 1 | 1 | 1 | 1 | 1 | |

Note.1) Definition of gray scale : Color (n) ---"n" indicates gray scale level.

The gray scale is brighter as the number is larger.

Note.2) Data: 1: High, 0: Low

Note.3) Color data consist of 36 bits, namely, 6-bit odd and even data for each red, green and blue. Optional data can be set to red, green and blue independently. Therefore, the module is able to display 262,144 colors.

DOCUMENT CONTROL SECTION

| | | | | | | | | | |
|--------|------|--------|-------|-------|-------------|--------------------|--|--------------|--|
| | | | | | | TITLE | | NA19020-C262 | |
| | | | | | | DRAW. NO. | | | CUST. |
| | | | | | | Tech Bes LCD-00067 | | | |
| EDIT | DATE | DESIG. | CHECK | APPR. | DESCRIPTION | | | | FUJITSU DISPLAY TECHNOLOGIES CORPORATION |
| DESIG. | | | CHECK | | APPR. | | | 14/ | |

10-3. Input Signal Timing

Table 10-3 and Fig.10-3 shows the input signal timing.

Table 10-3. Timing Characteristics

(T=0~50°C, Vcc=5±0.25V)

| Item | | Symbol | Min. | Typ. | Max. | Unit | Remark | |
|------------------------|------------|----------------|--------|--------|--------|------|---------------|---------|
| DCLK signal (Clock) | Period | Tc | 25.000 | 30.764 | 40.000 | ns | fc=1/Tc *1 | |
| | Frequency | fc | 25.000 | 32.505 | 40.000 | MHz | | |
| | Duty | Tch/Tc | 45 | 50 | 55 | % | | |
| | High time | TclkH | 5.0 | — | — | ns | | |
| | Low time | TclkL | 5.0 | — | — | ns | | |
| | Rise time | Tclkr | — | — | 5.0 | ns | | |
| | Fall time | Tclkf | — | — | 5.0 | ns | | |
| DCLK-Data Timing | Setup time | Tset | 4.5 | — | — | ns | 40MHz | |
| | Hold time | Thold | 6.5 | — | — | ns | 40MHz | |
| Data-ENAB timing | Horizontal | Period | Th | 565 | 672 | 1566 | DCLK | fh=1/Th |
| | | Frequency | fh | 38.6 | 48 | 60 | kHz | |
| | | Display period | Thd | — | 512 | — | DCLK | *2,3 |
| | Vertical | Period | Tv | 772 | 806 | 868 | Th | 16.67ms |
| | | Frequency | fv | 50 | 60 | 75 | Hz | |
| | | Display period | Tvd | — | 768 | — | Th | *2,3 |
| Data-ENAB timing | | — | — | 0 | — | DCLK | *4 | |

*1) DCLK signal input must be valid while power supply is applied.

*2) Display position is specified by the ENAB signal.

- Horizontal display position is specified by the rise of ENAB signal. The data of a horizontal line, which is latched by the falling edge of 1st DCLK right after the rise of ENAB, is displayed on the left edge of the screen.
- Vertical display position is specified by the rise of ENAB after a “Low” level period equivalent to eight times of horizontal period. The 1st data corresponding to one horizontal line after the rise of ENAB is displayed at the top line of screen.

*3) If a period of ENAB “High” is less than 512 DCLK or less than 768 lines, the rest of the screen displays black.

*4) The display position does not fit to the screen if the ENAB period and the effective data period do not synchronize with each other.

DATE DOCUMENT CONTROL SECTION

| | | | | | | | |
|--------|------|--------|-------|-------|---|---------------------------------|-----|
| | | | | | | TITLE NA19020-C262 | |
| | | | | | | DRAW. NO. Tech Bes LCD-00067 | |
| | | | | | | CUST. | |
| EDIT | DATE | DESIG. | CHECK | APPR. | DESCRIPTION FUJITSU DISPLAY TECHNOLOGIES CORPORATION | | |
| DESIG. | | | CHECK | APPR. | | | 15/ |

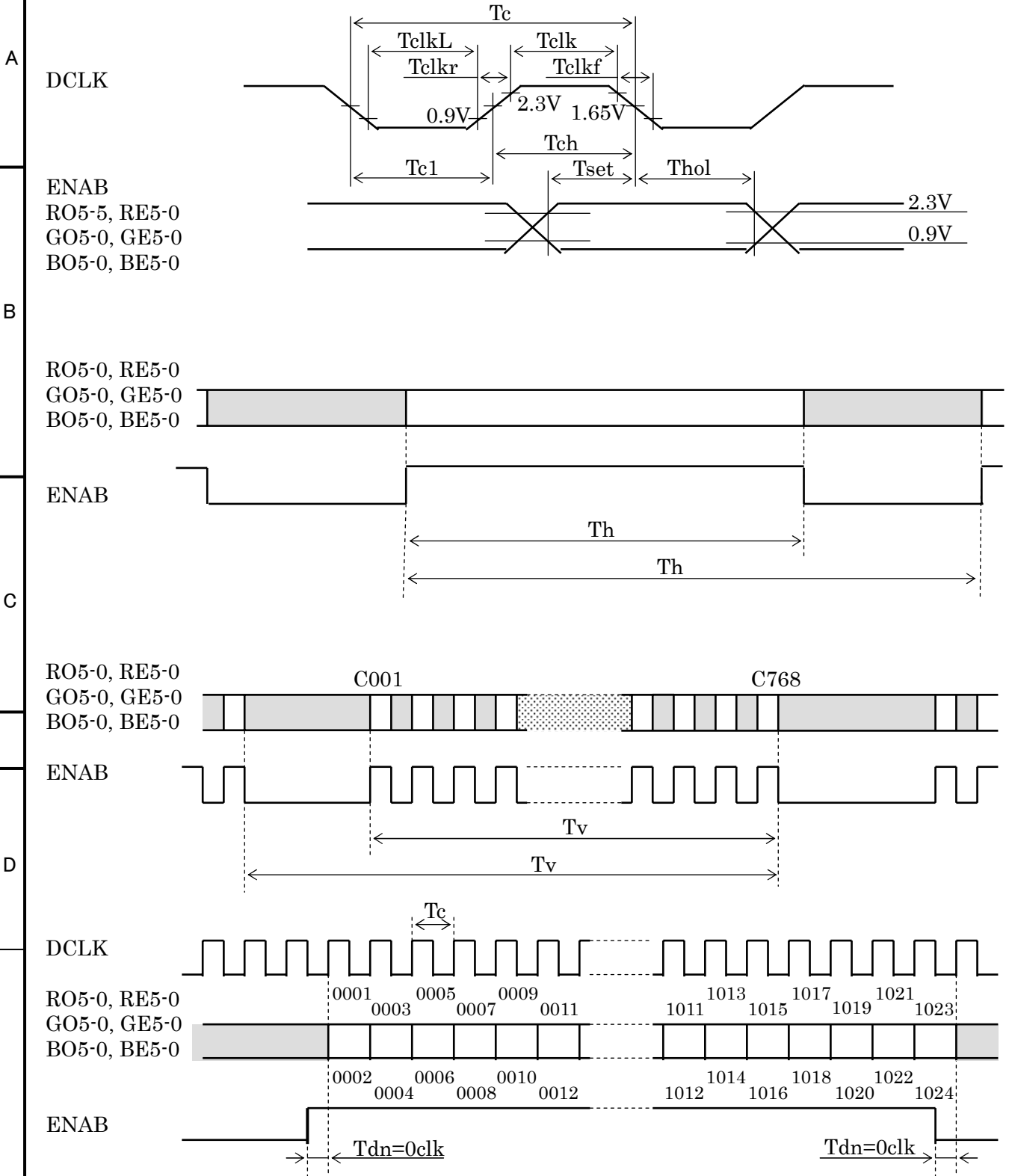


Fig.10-3.Input Signal Timing Chart

DOCUMENT CONTROL SECTION

DATE

| | | | | | | | | |
|--------|------|--------|-------|-------|--|-------|--------------------|--|
| | | | | | TITLE | | NA19020-C262 | |
| | | | | | DRAW. NO. | | Tech Bes LCD-00067 | |
| | | | | | | | CUST. | |
| | | | | | FUJITSU DISPLAY TECHNOLOGIES CORPORATION | | 16/ | |
| EDIT | DATE | DESIG. | CHECK | APPR. | DESCRIPTION | | | |
| DESIG. | | | CHECK | | | APPR. | | |

10-4. Correspondence between Data and Display Position

Fig.10-3 shows the Correspondence between Data and Display Position.

| | | | | | | | | | | | |
|------|------------|------------|------------|------------|------------|------------|------------|------------|-------|------------|------------|
| | S0001 | S0002 | S0003 | S0004 | S0005 | S0006 | S0007 | | S3071 | S3072 | |
| C001 | RO 0001 | GO 0001 | BO 0001 | RE 0002 | GE 0002 | BE 0002 | RO 0003 | GO 0003 | | GE 1024 | BE 1024 |
| C768 | RO 0001 | GO 0001 | BO 0001 | RE 0002 | GE 0002 | BE 0002 | RO 0003 | GO 0003 | | GE 1024 | BE 1024 |

Fig.10-4. Correspondence Data and Display Position

10-5. Power Supply Sequence

The sequence of input signals and On/Off of the power supply of this LCD module should be in the specification shown in Fig.10-4 to prevent latch-up of the driver ICs and DC driving of the LCD panel.

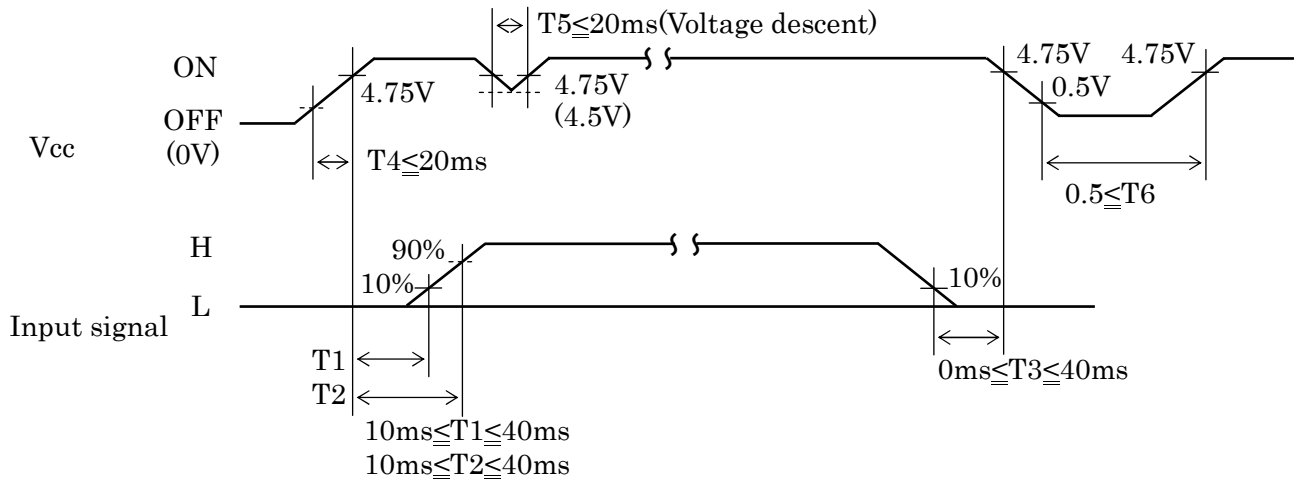


Fig.10-5. Power Supply Sequence

Note) If power Supply Sequence not followed, the CMOS-IC may cause a latch-up, or DC voltage May be applied to the liquid crystal, which cause a failure or serious deterioration in display quality.

DOCUMENT CONTROL SECTION

| | | | | | | | | | | | |
|------|------|--------|-------|-------|-------------|--------------------|--|--------------|-------|--|-----|
| | | | | | | TITLE | | NA19020-C262 | | | |
| | | | | | | DRAW. NO. | | | CUST. | | |
| | | | | | | Tech Bes LCD-00067 | | | | | |
| EDIT | DATE | DESIG. | CHECK | APPR. | DESCRIPTION | | | | | FUJITSU DISPLAY TECHNOLOGIES CORPORATION | 17/ |
| | | | | | | | | | | | |

11. BACKLIGHT SPECIFICATIONS

11-1. Pin Configuration for Backlight

Table 11-1(a) and 11-1(b) shows the description and pin assignment of the connectors (CN-A and B) for the Backlight of this LCD module.

Table 11-1(a) Pin Assignment of CN-A

| Pin | Signal | Function |
|-----|--------|-------------------------|
| 1 | VL1 | Power supply for CCFL 1 |
| 2 | VL2 | Power supply for CCFL 2 |
| 3 | NC | |
| 4 | GND | Ground (for VL1, 2) |

Table 11-1(b) Pin Assignment of CN-B

| Pin | Signal | Function |
|-----|--------|-------------------------|
| 1 | VL3 | Power supply for CCFL 3 |
| 2 | VL4 | Power supply for CCFL 4 |
| 3 | NC | |
| 4 | GND | Ground (for VL3, 4) |

Cable color (CN-A and B) : White at GND, Pink at VL1,2,3 and 4

Connector : Housing : BHR-04VS-1
 : Contact : SBH-001T-P0.5
 User's Connector : Post with base : SM04(4.0)B-BHS-1-TB
 Supplier : Japan Solderless Terminal Trading Company LTD. (J.S.T.)

11-2. CCFL

Supplier : SANKEN ELECTRIC CO., LTD Part No. KFN8319F315296Z

11-3. Life

The life of the backlight is a minimum of 50,000 hours at the following conditions.

(1) Working conditions

Ambient temperature : $25 \pm 5^\circ\text{C}$
 Tube current(I_L) : (7mA or less)

(2) Definition of life

Brightness becomes 50% or below 50% of the minimum brightness value shown in Table 9-1.
 The lamp cannot be lit by the breakdown voltage of 1500Vrms.
 Lamp is flashing.

11-4. Lamp Assembly set (for replacement)

Lamp Assembly set (with charge) is prepared for maintenance.
 This set consists of an upper lamp assembly and a lower lamp assembly.

Type number : FLCL-16S (for upper and lower)

DOCUMENT CONTROL SECTION

| | | | | | | | | | |
|------|------|--------|-------|-------|-------------|--|--|--------------|--|
| | | | | | | TITLE | | NA19020-C262 | |
| | | | | | | DRAW. NO. | | CUST. | |
| | | | | | | Tech Bes LCD-00067 | | | |
| EDIT | DATE | DESIG. | CHECK | APPR. | DESCRIPTION | FUJITSU DISPLAY TECHNOLOGIES CORPORATION | | 18/ | |
| | | | | | | | | | |

12. APPEARANCE SPECIFICATIONS

12-1 Appearance

| No. | Item | Judgment method and standard | |
|-----|---------------------------------------|---|-------------------------------------|
| 1 | Bright spot (high and Low) | ≤ 8 dots (Note 1) | |
| 2 | Bright spot connection (high and low) | 2 dots connection ≤ 2 pair 3 dots connection ≤ 1 pair (Note 1) | |
| 3 | Total of bright spot | ≤ 8 dots | |
| 4 | Dark spot | ≤ 18 dots (Note 2) | |
| 5 | Dark spot connection | 2 dots connection ≤ 3 pair 3 dots connection ≤ 1 pair (Note 2) | |
| 6 | Total of dark spot | ≤ 10 dots (Note 2) | |
| 7 | Total of dot defect | ≤ 18 dots | |
| 8 | Distance of dot defect | ≥ 2 mm | |
| 9 | Black / white spot | $D \leq 0.3$ | Ignore |
| | | $0.3 < D \leq 0.6$ | $N \leq 5$ |
| | | $0.6 < D \leq 0.9$ | $N \leq 2$ (Distance ≥ 100 mm) |
| | | $0.9 < D$ | 0 |
| 10 | Mura | Ignore | |

D:Average diameter [mm], W:Width [mm], L:Length [mm], S=(bright spot size)/(dot size)

DATE DOCUMENT CONTROL SECTION

| | | | | | | | |
|--------|------|--------|-------|-------|-------------|--|--|
| | | | | | | TITLE NA19020-C262 | |
| | | | | | | DRAW. NO. Tech Bes LCD-00067 | |
| | | | | | | CUST. | |
| EDIT | DATE | DESIG. | CHECK | APPR. | DESCRIPTION | FUJITSU DISPLAY TECHNOLOGIES CORPORATION | |
| DESIG. | | | CHECK | | APPR. | 19/ | |

12-2 Dot defects (Bright spots, Dark spots)

A

A

12-2-1 Zone

- Inside display dot area (304.1×228.1mm)
- Display dot area means active area.
- One pixel consists of 3 dots (red, green and blue).
- Foreign particle and scratch unharmed to display image, such as the foreign particle under polarizer film but outside of the display area and scratch on metal bezel, backlight module or polarizer film out of the display area, etc., are not counted.

B

B

12-2-2 Bright spots

(1) Bright spots by the defect of TFT.

- Visible under bias of 2% ND filter High bright spot R•G
- Visible under 5% but invisible under 2% ND filter..... Low bright spot R•G•B
- Invisible under bias of 5% ND filter..... Not counted

(2) Bright spots by the light passing through tears, breaks, etc in color filter.

- Exceed size of a half dot High bright spot
- A half dot or less..... Not counted

(3) Bright spots by the light passing through tears, breaks, etc in chromium mask.

- Exceed 50µm High bright spot
- 50µm or less Not counted

C

C

12-2-3 Test condition

- Inspector must observe the LCD screen from the normal direction under the illumination by a single 20W fluorescent lamp. The distance between the LCD screen and the inspector should be a height of 50cm above the worktable.
The vertical illuminance is 300 to 600lux (reference value).
- Bright spot should be counted under entire black screen.
- Dark spot should be counted under entire white screen.
- Input signal timing should be typical value.

D

D

(Note1) Please do not mistake a single bright spot for a bright spot connection due to Cs(supplemental capacitance) line at the center of each dot.

(Note2) If a pixel is dark partially, it connects into the number of dark spots in accordance with following rule.

- (a) $A < 1/3$: Not count. Only one of 4 dark connection is allowed.
 - (b) $1/3 \leq A < 2/3$: Considered as 0.5 dot.
 - (c) $2/3 \leq A$: Considered as 1 dot.
- (A=Dark spot size/dot size)

E

DATE DOCUMENT CONTROL SECTION

| | | | | | | | | | |
|--------|------|--------|-------|-------|-------------|--------------------|--|--------------|--|
| | | | | | | TITLE | | NA19020-C262 | |
| | | | | | | DRAW. NO. | | | CUST. |
| | | | | | | Tech Bes LCD-00067 | | | |
| EDIT | DATE | DESIG. | CHECK | APPR. | DESCRIPTION | | | | FUJITSU DISPLAY TECHNOLOGIES CORPORATION |
| | | | | | | | | | 20/ |
| DESIG. | | | CHECK | | | APPR. | | | |

F

13. ENVIRONMENTAL SPECIFICATIONS

Table 13-1 shows the environmental specifications.

Table 13-1. Environmental Specifications

| Item | Condition | | Remark |
|-------------|---------------|---|--|
| Temperature | Operation | 0~50°C | Temperature on surface of LCD panel (display area.) |
| | Storage | -20~60°C | |
| Humidity | Operation | 20~85%RH | Maximum wet-bulb temperature should not exceed 29°C. No condensation. |
| | Storage | 5~85%RH | |
| Vibration | Non-operation | 10~500Hz, 1 cycle/20minute, 2G, 1.5mm max, 2hour each X, Y and Z directions | For single module without package. |
| Shock | Non-operation | 50G, 6ms, 1time each ±X, ±Y and ±Z directions. | |

NOTE: Table 13-2 and Fig. 13-1 show the shock resistance standard when module is packaged.

Table 12-2. Shock Resistance Standard when Module is Packaged

| Dropping location | Dropping height | Count |
|-------------------|-----------------|--------|
| A ~ J | 60cm | 1 time |

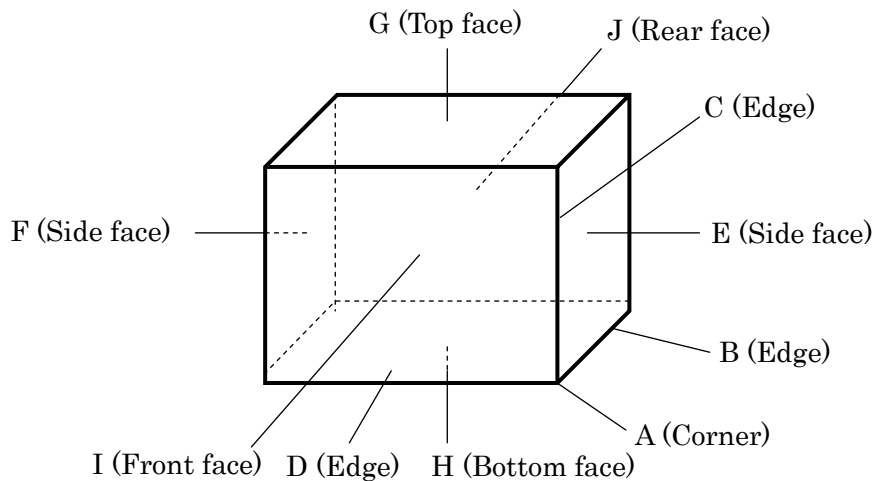


Fig.13-1. Direction to apply shock to package

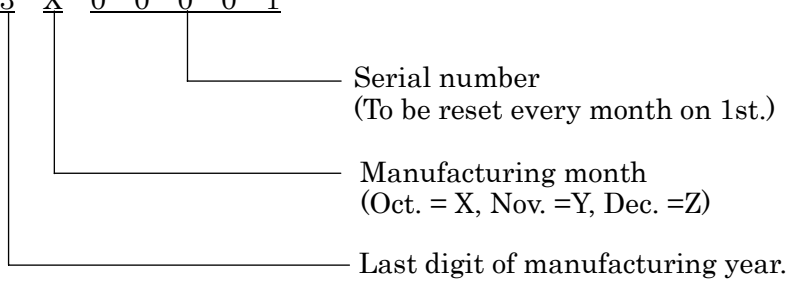
DOCUMENT CONTROL SECTION

| | | | | | | | | | | |
|--------|------|--------|-------|-------|-------------|--|--|--------------|-------|--|
| | | | | | | TITLE | | NA19020-C262 | | |
| | | | | | | DRAW. NO. | | | CUST. | |
| | | | | | | Tech Bes LCD-00067 | | | | |
| EDIT | DATE | DESIG. | CHECK | APPR. | DESCRIPTION | | | | | |
| DESIG. | | | CHECK | | APPR. | FUJITSU DISPLAY TECHNOLOGIES CORPORATION | | | 21/ | |

14. INDICATIONS

This module has the following indications.

- (1) Product name : LCD unit
- (2) Product drawing number : NA19025-C262
- (3) Manufacturing number : 3 X 0 0 0 0 1



- (4) Disposal method of cold-cathode tubes. (See Fig.13-1)
- (5) Caution when changing cold-cathode tubes. (See Fig. 13-2)



Fig.13-1



Fig.13-2

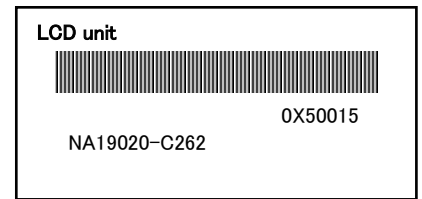


Fig.13-3 Product label (example)

15. PACKAGING

Separately specified in packaging specifications.

15-1. Packaging specifications

- (1) 5 LCD modules / 1 package.
- (2) Weight: approximately 10kg / 1 package.
- (3) Outline dimensions : 353mm (W)×268mm (D) ×462mm (H)

15-2. Packaging method

Fig.15-2 (a),(b),(c),(d) show the packing method.

DOCUMENT CONTROL SECTION

| | | | | | | | | | |
|------|------|--------|-------|-------|-------------|--------------------|--|--------------|--|
| | | | | | | TITLE | | NA19020-C262 | |
| | | | | | | DRAW. NO. | | | CUST. |
| | | | | | | Tech Bes LCD-00067 | | | |
| EDIT | DATE | DESIG. | CHECK | APPR. | DESCRIPTION | | | | FUJITSU DISPLAY TECHNOLOGIES CORPORATION |
| | | | | | | | | | 22/ |

A

B

C

D

A

B

C

D

E

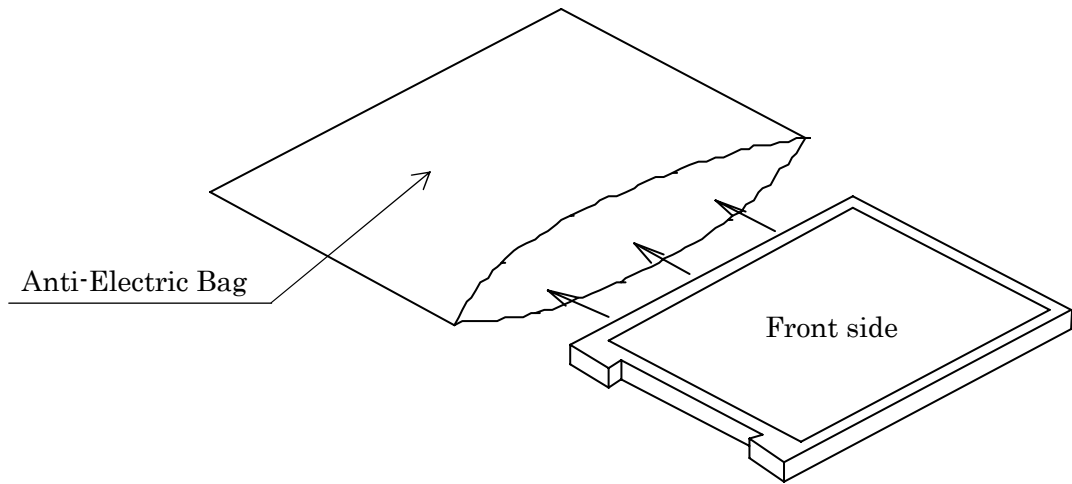
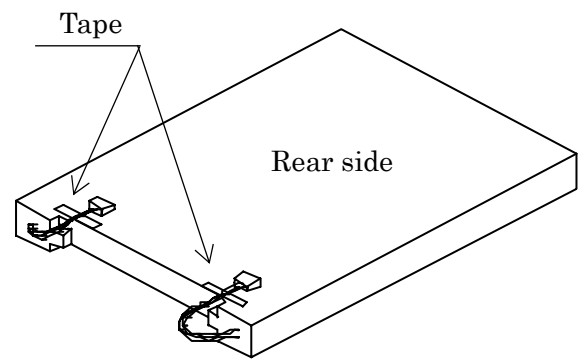
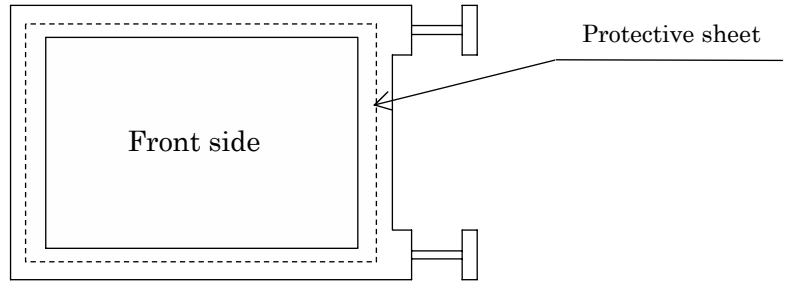


Fig.15-2(a) Packaging Method

| | |
|--------------------------|--|
| DOCUMENT CONTROL SECTION | |
| DATE | |

| | | | | | | | | |
|------|--------|--------|-------|-------|-------------|--|--------------------|-----|
| | | | | | | TITLE | NA19020-C262 | |
| | | | | | | DRAW. NO. | Tech Bes LCD-00067 | |
| | | | | | | | CUST. | |
| EDIT | DATE | DESIG. | CHECK | APPR. | DESCRIPTION | FUJITSU DISPLAY TECHNOLOGIES CORPORATION | Sheet | 23/ |
| | DESIG. | | CHECK | | APPR. | | | |

A

B

C

D

A

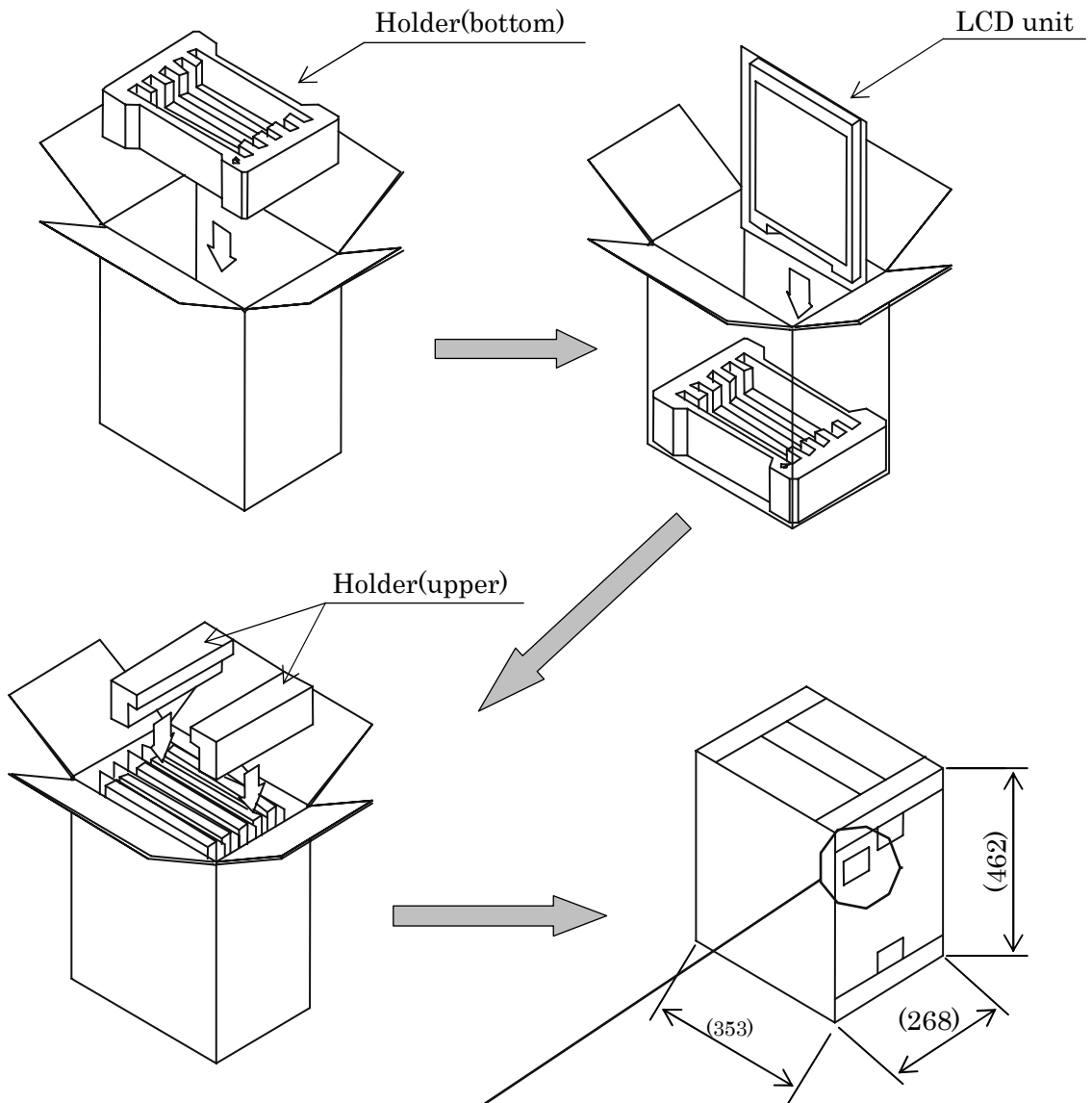
B

C

D

E

F



Label(example)

| | | |
|--|-------------------|---|
| 型 格 (TYPE) | 数 量 (QTY.) | 5 |
| 図 番 (DRWG. NO.) | 版 数 (REV. NO.) | |
| NA19020-C262 | | |
| 3900001 | | |
| 3900002 | | |
| 3900003 | | |
| 3900004 | | |
| 3900005 | | |
| <div style="border: 1px solid black; display: inline-block; padding: 2px;"> バーコード </div> | | |

- Taping
Upper : H or I method
Bottom : H method
- Upper and bottom holders should be anti-electrostatic type.

Fig.15-2(b) Packaging Method

DOCUMENT CONTROL SECTION

DATE

| | | | | | | | | | |
|--------|------|--------|-------|-------|-------------|--|--|--------------------|--|
| | | | | | | TITLE | | NA19020-C262 | |
| | | | | | | DRAW. NO. | | Tech Bes LCD-00067 | |
| | | | | | | | | CUST. | |
| | | | | | | FUJITSU DISPLAY TECHNOLOGIES CORPORATION | | 24/ | |
| EDIT | DATE | DESIG. | CHECK | APPR. | DESCRIPTION | | | | |
| DESIG. | | | CHECK | | APPR. | | | | |

A

B

C

D

A

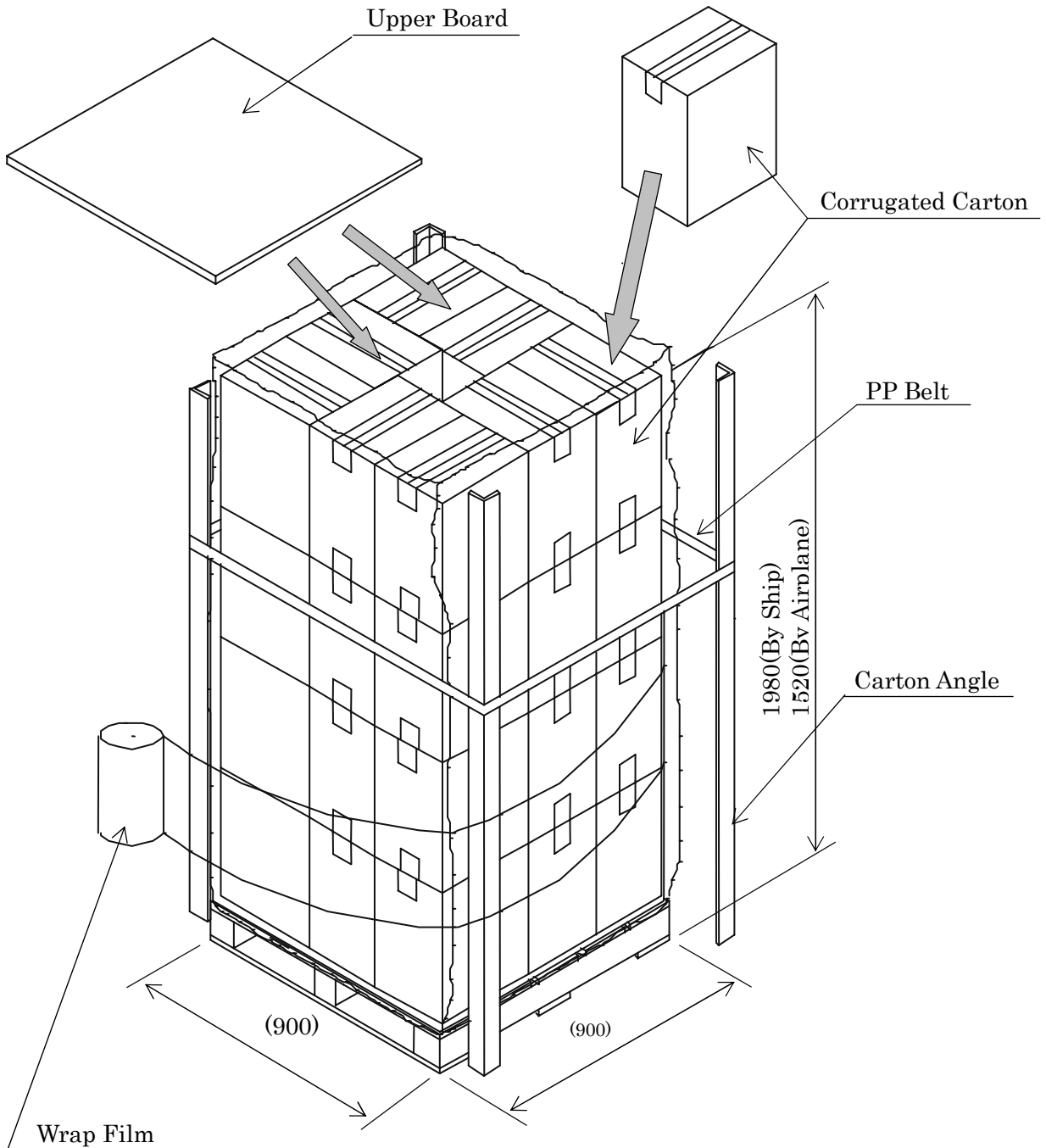
B

C

D

E

F



Wrap Film
 Up and Down : 3 times wrap
 Middle : 2 times wrap

Note:1) 8 boxes×4 layers (maximum 32 boxes) : by ship
 8 boxes×3 layers (maximum 24 boxes) : by airplane
 Note:2) This drawing shows marine transportation specification.

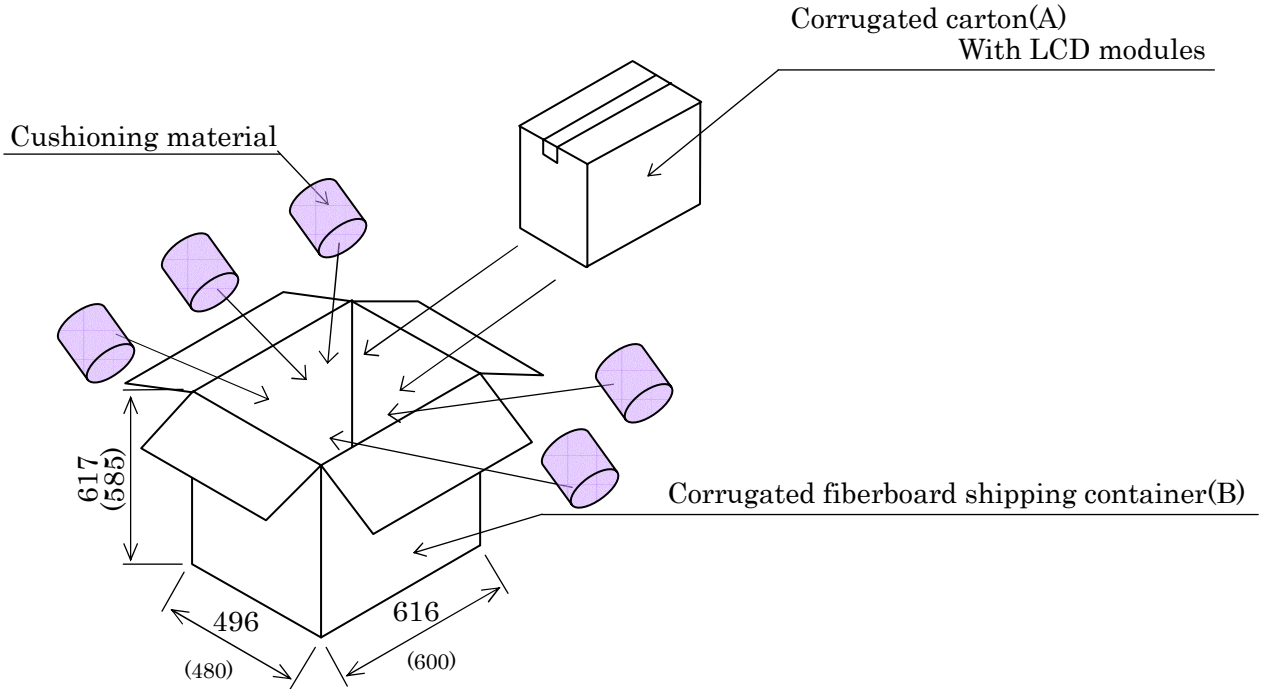
Fig.15-2(c) Packaging Method

| |
|--------------------------|
| DOCUMENT CONTROL SECTION |
| DATE |

| | | | | | | | | | |
|--------|------|--------|-------|-------|-------------|--|--|--------------|--|
| | | | | | | TITLE | | NA19020-C262 | |
| | | | | | | DRAW. NO. | | CUST. | |
| | | | | | | Tech Bes LCD-00067 | | | |
| EDIT | DATE | DESIG. | CHECK | APPR. | DESCRIPTION | FUJITSU DISPLAY TECHNOLOGIES CORPORATION | | 25/ | |
| DESIG. | | | CHECK | | APPR. | | | | |

A

A



B

B

C

C

Note 1) The carton (A) should be placed in the middle of the container(B) with enough cushioning materials.

Note 2) The figures in () show inside measurements of the container(B).

D

D

Figure.15-2(d) Packaging Method

DOCUMENT CONTROL SECTION

DATE

E

| | | | | | | | | | |
|--------|------|--------|-------|-------|-------------|--------------------|--|--------------|-----|
| | | | | | | TITLE | | NA19020-C262 | |
| | | | | | | DRAW. NO. | | CUST. | |
| | | | | | | Tech Bes LCD-00067 | | | |
| EDIT | DATE | DESIG. | CHECK | APPR. | DESCRIPTION | | FUJITSU DISPLAY TECHNOLOGIES CORPORATION | | 26/ |
| DESIG. | | | CHECK | | APPR. | | | | |

F

16.PRECAUTIONS

Adhere to the following precautions to properly use this LCD module.

(1) Fail safe design

LCD module has an inherent chance of failure. Customers must protect against injury, damage or loss from such failures by incorporating safety design measures into your facility and equipment such as redundancy, fire protection, and prevention of over-current levels and other abnormal operating conditions.

(2) Handling of LCD panel

Do not apply any strong mechanical shock to the LCD panel.

Since the LCD panel is made of glass, excessive shock may damage the panel or cause a malfunction.

Do not press hard on the LCD panel surface. (MAX:2kg/cm²)

In the LCD panel, the gap between two glass plates is kept precisely and uniformly to maintain display's characteristics and reliability. If this panel is pressed hard, the following troubles occurs. If the pressure is over 2kg/cm², the problem don't return to normal Condition.

- (a) Ununiformity of color
- (b) Orientation of liquid crystal becomes disordered

Problem (a) returns to normal after a while. Problem (b) returns to normal if power is shut off once then turned on again.

However these operations should be avoided to insure reliability.

Do not scratch the polarizer film on the LCD panel surface.

- Do not press or rub the display surface with a hard tool, pincet, etc.
- For handling, use cotton or conductive gloves so that the display surface is not stained.
- For If the display surface is stained by dust or dirt, clean it as follows with a soft cloth (deer skin, etc.)

[Dust] Wipe off with a soft cloth. (do not rub.)

[Dirt] Wipe off lightly with a soft cloth after soaking in the clear water and squeezing hard out of water drops. Only if the dirt is hardly wiped off, use isopropyl alcohol or ethanol.

Be careful not to splash the water or the solvent and water penetrated between the polarizer and the LCD panel.

Do not use solvents such as ketone (acetone, etc.) and aromatics (xylene, toluene, etc.)

- If saliva or water drops are left for long time, it may deform partial deformation or discolored. Wipe off immediately in the same way as for dirt.
- Do not allow oil to adhere to the module, since the cleaning of oil is difficult.

Do not place or contact objects on the display surface for a long period of time.

That's because this may make some parts of the LCD module distorted and the display quality may decline.

DOCUMENT CONTROL SECTION

DATE

| | | | | | | | | | |
|------|------|--------|-------|-------|-------------|--------------------|--|--------------|--|
| | | | | | | TITLE | | NA19020-C262 | |
| | | | | | | DRAW. NO. | | | CUST. |
| | | | | | | Tech Bes LCD-00067 | | | |
| EDIT | DATE | DESIG. | CHECK | APPR. | DESCRIPTION | | | | FUJITSU DISPLAY TECHNOLOGIES CORPORATION |
| | | | | | | | | | |
| | | | | | | | | | 27/ |

(3) Handling of LCD module

Do not pull the cold-cathode tube cable strongly.

If the cable is pulled with the load of 2kg or more, the cable may be damaged or reliability may decrease.

Assemble the module into user's system in a dust free environment.

If conductive foreign matter adheres to the module, failures may occur.

Take anti-static measures for assembling the module.

Since the LCD module contains CMOS-ICs, the following considerations are necessary.

- For assembling the module, operator should be grounded and wear cotton or conductive gloves.
- Floor of work area and work table to assemble the LCD module should be covered with electrostatic shielding in order to discharge static electricity via an earth wire.
- If necessary, ground operation tools (soldering iron, radio pliers, pincet, etc.).
- Do not take the module out of the conductive bag until the time when the module is assembled.
- Assemble the module under low humidity (50%RH or less).

Do not pull the connecting cable on the rear face of the LCD module strongly.

Do not disassemble or remodel the LCD module.

If this LCD module is disassembled or remodeled, it may have some trouble, or the display quality and reliability may not be assured.

(4) Precautions for operating the LCD module

Adhere to the specified power supply sequence.

If not followed, the CMOS-IC may cause a latch-up, or the DC voltage may be applied the liquid crystal, and a failure or serious deterioration in display quality may occur.

Do not operate the LCD module when condensation is present.

If the LCD module is operated when condensation is on the terminals of the LCD panel, the terminals cause electrochemical reaction, and may reach disconnection. Condensation easily occurs especially when the module is moved from a cold environment to a warm environment.

Trouble that occurs when the LCD module is used at not recommended temperature.

- Operation at high temperature(>50°C) :Display colors shift to blue.
- Storage at high temperature(>60°C) :The polarizer film deteriorates and contrast decreases.
- Operation at low temperature(<0°C) :The response speed decreases considerably.
- Storage at low temperature (<-20°C) :The liquid crystal may solidify and become damaged.

Always input the control signals at the correct timing.

If control signals (DCLK, or ENAB) are not input, or if the timing is out of the specified timing, DC voltage may be applied to the liquid crystal and, as a result, cause image sticking or deterioration of contrast.

DOCUMENT CONTROL SECTION

DATE

| | | | | | | | | | |
|--------|------|--------|-------|-------|-------------|-----------|--|--|-----|
| | | | | | | TITLE | | NA19020-C262 | |
| | | | | | | DRAW. NO. | | Tech Bes LCD-00067 | |
| | | | | | | | | CUST. | |
| | | | | | | | | | |
| EDIT | DATE | DESIG. | CHECK | APPR. | DESCRIPTION | | | | |
| DESIG. | | | CHECK | | | APPR. | | FUJITSU DISPLAY TECHNOLOGIES CORPORATION | 28/ |

(5) Precautions on designing module mounting

Do not press the display surface and bottom face of the LCD module.

Display quality or reliability may be deteriorated if the installation of the LCD module is inappropriate and, as a result, excessive pressure is applied to the surface of LCD screen. Brightness uniformity or the reliability of CCFL may decrease if the pressure is applied to the backlight module.

Consider the module mounting design, so that twisting and bending do not occur to the LCD module.

Excessive twisting and bending may damage display quality and reliability.

The power cable length between the LCD module and inverter should not be extended.

Otherwise the backlight may not light or flickering may occur.

Do not make the power cable of the backlight clung to a metal plate, etc.

Backlight frequency current for backlight driving may leak to the metal and desired brightness may not be assured.

When Mounting LCD module with M4 screw (x4) should be screw up under 5.75kgf torque.

(6) Storage method

Do not store the LCD module in an atmosphere of organic solvent or corrosive gas.

In an organic solvent atmosphere, the polarizer film discolors and display quality deteriorates.

In a corrosive gas environment, various problems may occur.

Store the LCD module in a FDTC package.

At storing, FDTC packages can be stacked up to 4 boxes.

The LCD module is in an anti-static bag. Keep the module in that status.

It is recommended that the storage environment should be humidity controlled, cool and dark.

Recommended storage environment

- Place :Dark (avoid direct sunlight)
- Temperature : 10~35°C
- Humidity : 50~60%RH

Note) If the module is left in an environment of 60 or more for a long period of time, optical characteristics may deteriorate.

(7) Disposal Method

LCD module

The components of this LCD module can be grouped into metal, resin, glass and so on. As the backlight contains CCFL which includes mercury, it must be disposed according to the local ordinance or regulations.

Package

All the packages are made of recyclable papers except the anti-ESD bag.

DOCUMENT CONTROL SECTION

DATE

| | | | | | | | | | |
|--------|------|--------|-------|-------|-------------|-----------|--|--------------------|-----|
| | | | | | | TITLE | | NA19020-C262 | |
| | | | | | | DRAW. NO. | | Tech Bes LCD-00067 | |
| | | | | | | | | CUST. | |
| EDIT | DATE | DESIG. | CHECK | APPR. | DESCRIPTION | | | | |
| DESIG. | | | CHECK | | | APPR. | FUJITSU DISPLAY TECHNOLOGIES CORPORATION | | 29/ |

(9) Others

If the LCD panel is damaged, do not inhale and do not swallow the liquid crystal.
 If the liquid crystal adhere to the body or cloths, wash it off with soap immediately.
 Follow regular precautions for electronic components.

Flux residue on the printed circuit board is harmless to the quality and reliability of LCD module.
 FDTC has adopted non-wash technology on module assembly process.

18. PRECAUTIONS FOR USE

This Product is designed, developed and manufactured as contemplated for general use, including without limitation, general office use, personal use, household use, and ordinary industrial use, but is not designed, developed and manufactured as contemplated for use accompanying fatal risks or dangers that, unless extremely high safety is secured, could lead directly to death, personal injury, severe physical damage or other loss (hereinafter "High Safety Required Use"), including without limitation, nuclear reaction control in nuclear facility, aircraft flight control, air traffic control, mass transport control, medical life support system, missile launch control in weapon system. If customer's product possibly falls under the category of High Safety Required Use, please consult with our sales representatives in charge before such use. In addition, FDTC shall not be liable against the Customer and/or any third party for any claims or damages arising in connection with the High Safety Required Use of the Product without permission.

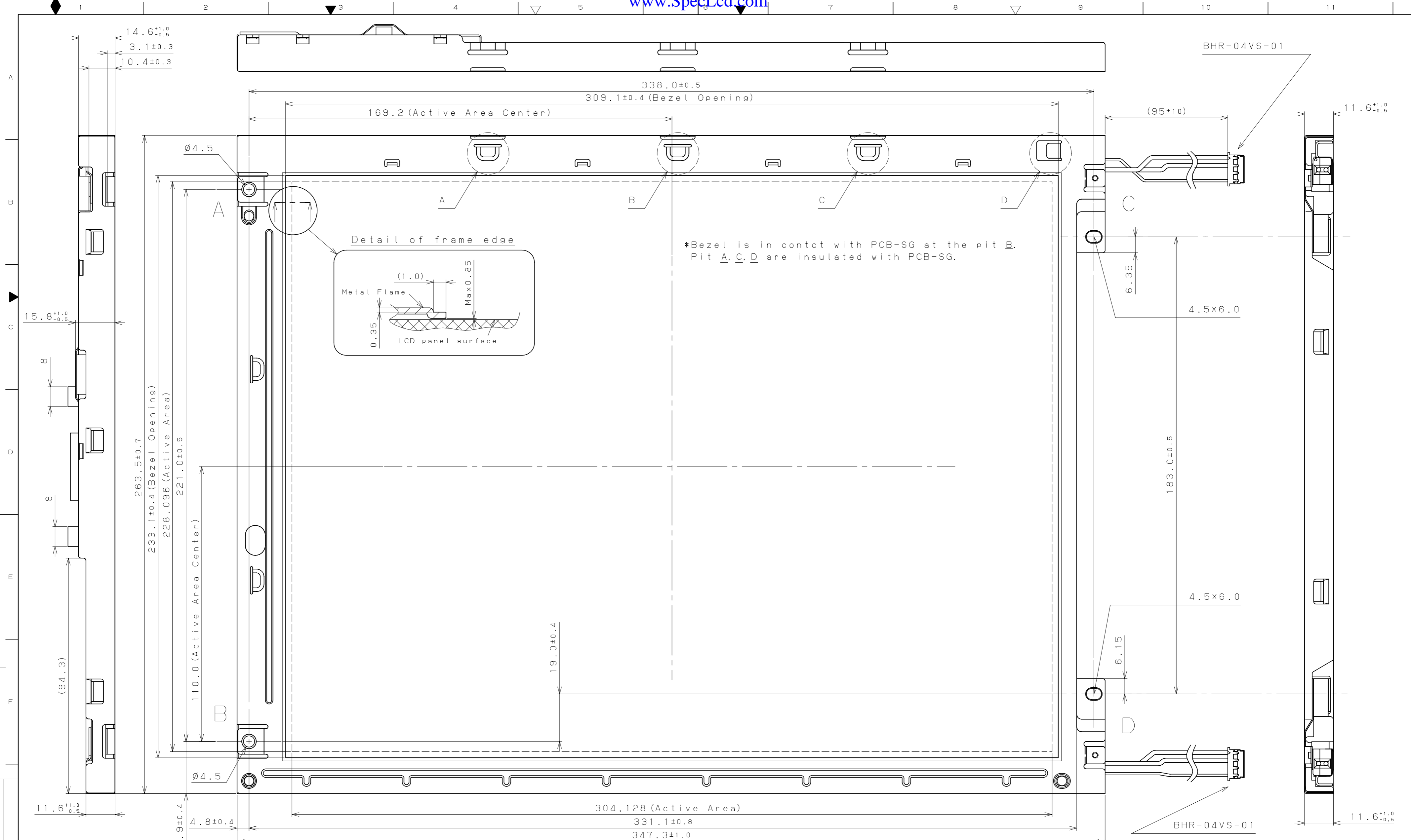
19. MISCELLANEOUS

Specifications of the TFT-LCD panel and other components used in the LCD module are subject to change. Both parties shall discuss together before change.
 If any doubt is raised in the content of the specifications, both parties shall discuss and make best effort for the agreement.

| |
|--------------------------|
| DOCUMENT CONTROL SECTION |
| DATE |

| | | | | | | | |
|--------|------|--------|-------|-------|-------------|--|--|
| | | | | | | TITLE NA19020-C262 | |
| | | | | | | DRAW. NO. Tech Bes LCD-00067 | |
| | | | | | | CUST. | |
| EDIT | DATE | DESIG. | CHECK | APPR. | DESCRIPTION | FUJITSU DISPLAY TECHNOLOGIES CORPORATION | |
| DESIG. | | | CHECK | | APPR. | 30/ | |

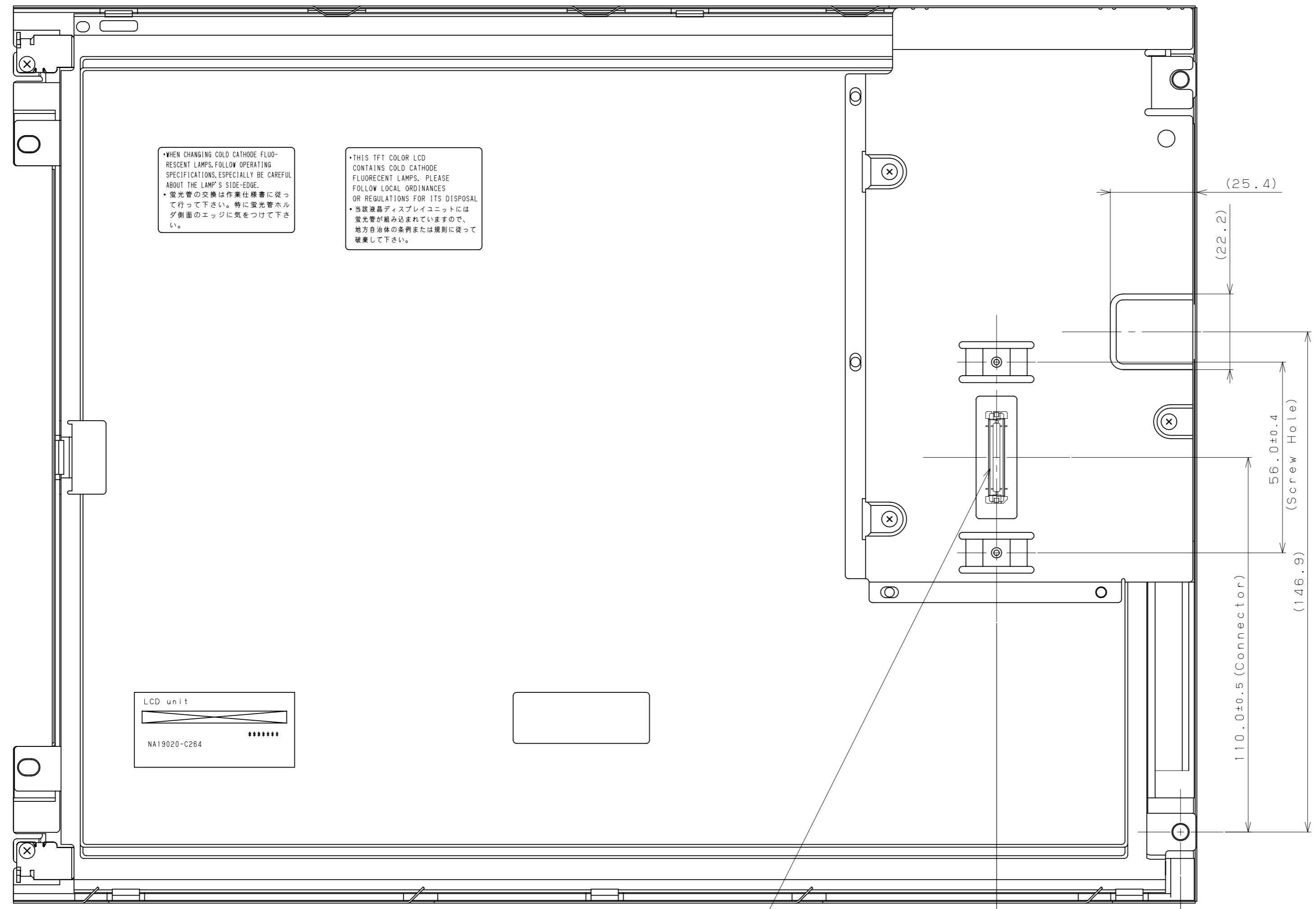
DATE DOCUMENT CONTROL SECTION



Front View

| | | Commercial Tolerance | | | | | | | |
|----------|--------------------------------|--|-----------|------|---------|---------|---------|----------|---|
| | | Item | Dimension | 0.5 | 1.20 | 3.15 | 1000 | 2000 | Class () |
| | | | | 30 | or less | or less | or less | or less | FN111-10 |
| FN111-12 | Machining, Sheet metal working | Center distance (metal) | ±0.1 | ±0.1 | ±0.2 | ±0.3 | ±0.5 | | Metallic sinter, Aluminum alloy casting (Metal mold, Sand mold), Glass processing, Iron casting, Copper alloy casting, Rubber forming, Rubber processing, Sponge forming, Sponge processing |
| | | Center distance (resin) | ±0.1 | ±0.2 | ±0.4 | ±0.5 | ±0.7 | FN111-11 | |
| | | General dimensions (metal) | ±0.1 | ±0.2 | ±0.4 | ±0.5 | ±0.7 | | Plastic mold FN111-14 Die cast |
| | | General dimensions (resin) | ±0.2 | ±0.3 | ±0.5 | ±0.8 | ±1.2 | FN111-13 | |
| | | Bend dimensions (longitudinally 315 or less) | ±0.2 | ±0.3 | ±0.5 | ±0.8 | ±1.2 | | |

| | | | | | | | |
|--------|------|--------|-------|--|-----|-------|--|
| MATER. | | FINISH | | TITLE | | SCALE | |
| | | | | NA19020-C262 | | | |
| | | | | DRAW. NO. | | CUST. | |
| | | | | Tech Bes LCD-00067 | | | |
| EDIT | DATE | DESIG. | CHECK | DESCRIPTION | | | |
| DESIG. | | | CHECK | FUJITSU DISPLAY TECHNOLOGIES CORPORATION | | | |
| | | | | APPR. | 31/ | | |

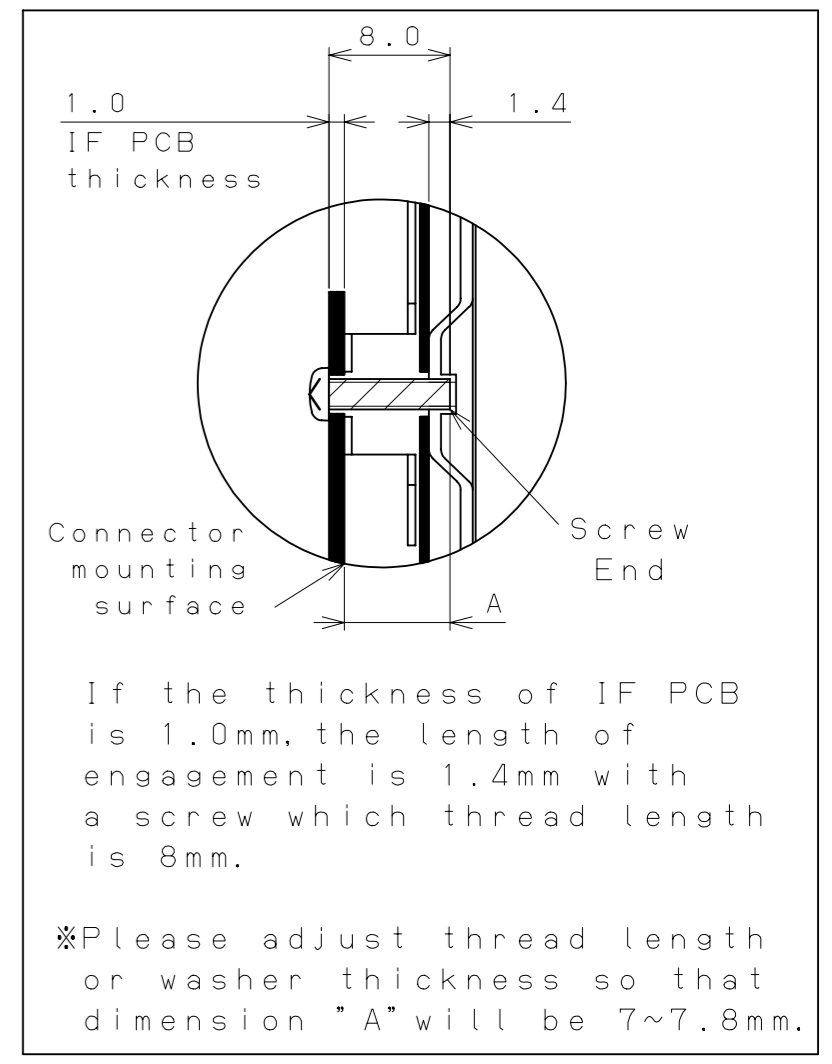
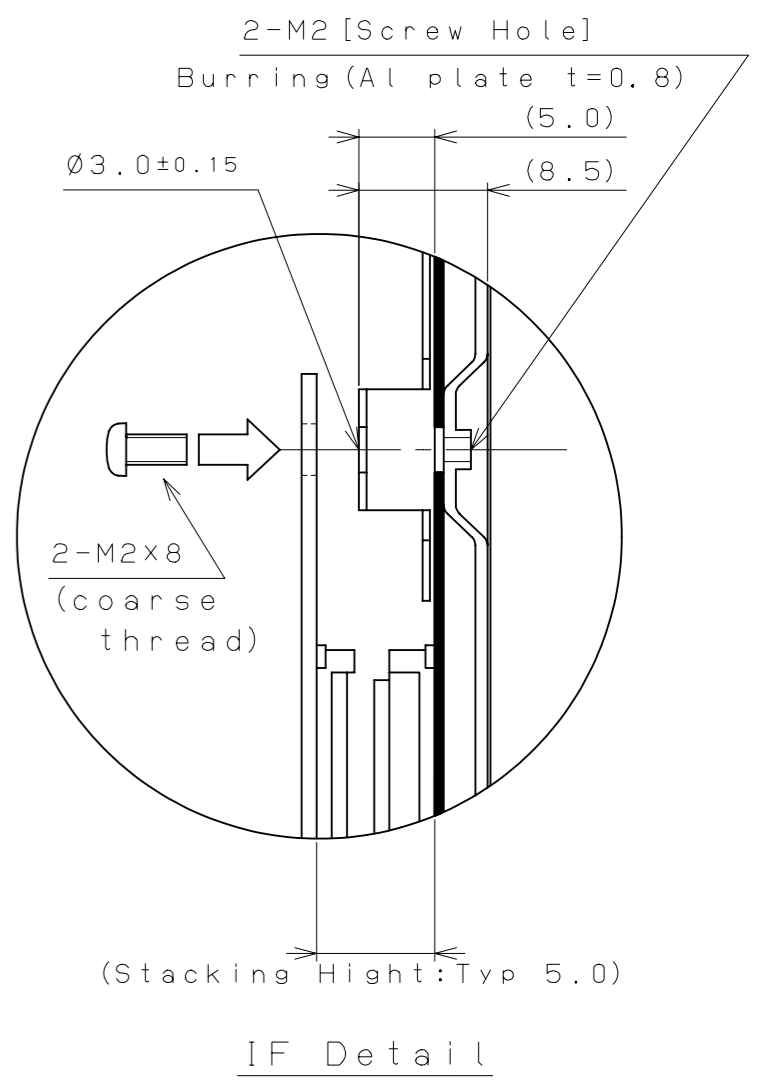


•WHEN CHANGING COLD CATHODE FLUORESCENT LAMPS, FOLLOW OPERATING SPECIFICATIONS, ESPECIALLY BE CAREFUL ABOUT THE LAMP'S SIDE-EDGE.
 •蛍光灯の交換は作業仕様書に従って行って下さい。特に蛍光灯ホルダ側面のエッジに気をつけて下さい。

•THIS TFT COLOR LCD CONTAINS COLD CATHODE FLUORESCENT LAMPS. PLEASE FOLLOW LOCAL ORDINANCES OR REGULATIONS FOR ITS DISPOSAL.
 •当該液晶ディスプレイユニットには蛍光灯が組み込まれていますので、地方自治体の条例または規則に従って破棄して下さい。

LCD unit
 NA19020-C264

52760-0600 (MOLEX)



Rear View

DATE DOCUMENT CONTROL SECTION

| | | Commercial Tolerance | | | | | | | |
|----------|--------------------------------|---|---------|-------------|---------|---------|---------|--|--|
| | | Dimension | 0.5 | 1.20 | 3.15 | 10.00 | 20.00 | | |
| | | | or less | or less | or less | or less | or less | | |
| FN111-12 | Machining, Sheet metal working | Center distance (metal) | ±0.1 | ±0.1 | ±0.2 | ±0.3 | ±0.5 | FN111-10 | Class () |
| | | Center distance (resin) | ±0.1 | ±0.2 | ±0.4 | ±0.5 | ±0.7 | FN111-11 | Metallic sinter, Aluminum alloy casting (Metal mold, Sand mold), Glass processing, Iron casting, Copper alloy casting, Rubber forming, Rubber processing, Rubber forming, Rubber processing, Sponge forming, Sponge processing |
| | | General dimensions (metal) | ±0.1 | ±0.2 | ±0.4 | ±0.5 | ±0.7 | FN111-11 | |
| | | General dimensions (resin) | ±0.1 | ±0.2 | ±0.4 | ±0.5 | ±0.7 | FN111-11 | |
| | | Assembly dimensions, Bend dimensions (longitudinally 315 or less) | ±0.2 | ±0.3 | ±0.5 | ±0.8 | ±1.2 | FN111-13 | Plastic mold FN111-14 Die cast |
| MATER. | | FINISH | | | | | | | |
| | | TITLE | | | | | | SCALE | |
| | | NA19020-C262 | | | | | | | |
| | | DRAW. NO. | | | | | | CUST. | |
| | | Tech Bes LCD-00067 | | | | | | | |
| EDIT | DATE | DESIG. | CHECK | DESCRIPTION | | | | FUJITSU DISPLAY TECHNOLOGIES CORPORATION | |
| DESIG. | | | CHECK | APPR. | | | | | 32 / 32 |