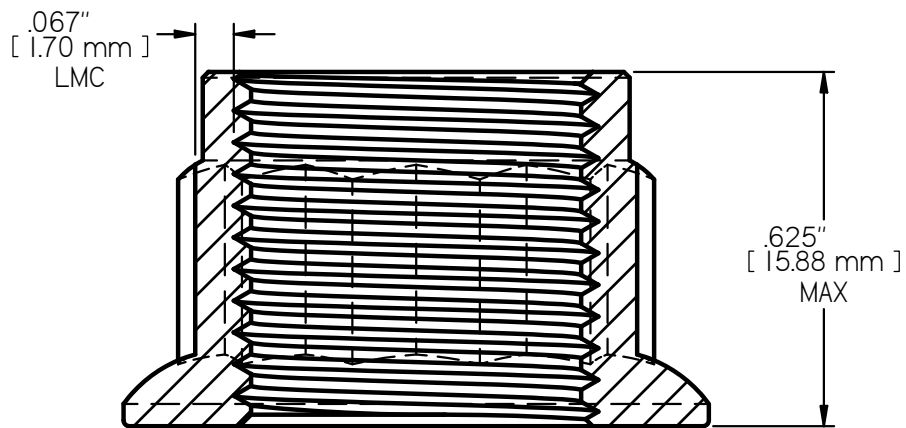
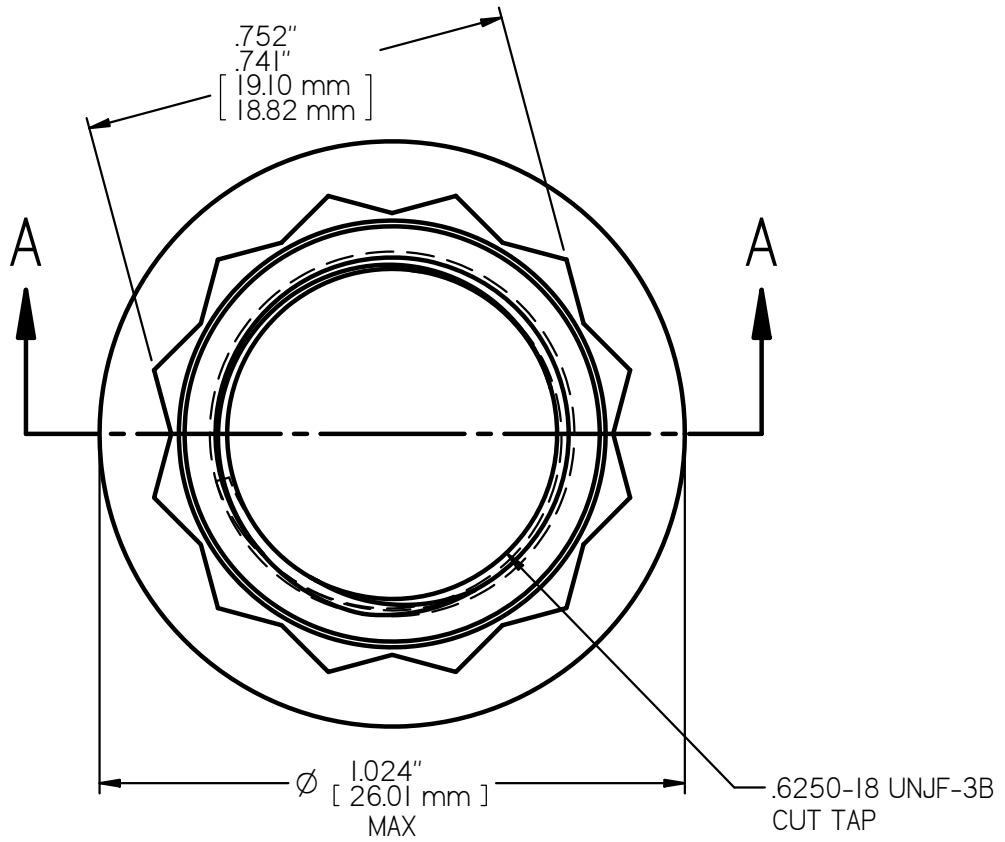


# LEAST MATERIAL CONDITION



SECTION A-A  
3X SCALE

**NAS1804-10 LOCK NUT**  
**AXIAL STRENGTH: 49,100 LBS. [218,408 N.] MIN**