

DESCRIPTION

The NB681A is a fully integrated, high-frequency, synchronous, rectified, step-down, switch-mode converter with 2-bit VID, especially designed for IMVP8 applications—VCCIO, PRIMCORE, V1.0A, EDRAM, EOPIO, and other POLs (1.8V/2.5V/3.3V). It offers a very compact solution to achieve a 6.5A continuous output current and a 7.5A peak output current over a wide input supply range.

The NB681A operates at high efficiency over a wide output current load range based on MPS proprietary switching loss reduction technology and internal low Ron power MOSFETs.

Adaptive constant-on-time (COT) control mode provides fast transient response and eases loop stabilization. The DC auto-tune loop provides good load and line regulation.

To avoid audible noise, the NB681A provides low-power mode for power loss saving during the low-power state and ultrasonic mode.

Full protection features include OC limit, OVP, UVP, and thermal shutdown.

The converter requires a minimal number of external components, and it is available in a QFN-13 2mm x 3mm package.

FEATURES

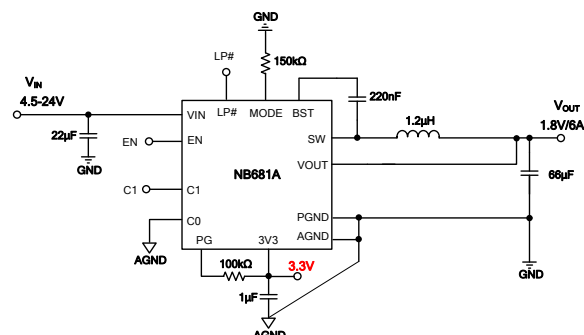
- Wide 4.5V to 28V Operating Input Range
- VCCIO/PRIMCORE/EDRAM/EOPIO/V1.0A/1.8V/2.5V/3.3V Compatible for IMVP8
- Output Adjustable by 2-Bit VID
- Low-Power Mode
- 25µA Low Quiescent Current
- 6.5A Continuous Output Current
- 7.5A Peak Output Current
- Selectable Ultrasonic Mode
- Adaptive COT for Fast Transient
- DC Auto-Tune Loop
- Stable with POSCAP and Ceramic Capacitors
- 1% Reference Voltage
- Internal Soft Start
- Output Discharge
- OCL, OVP, UVP, and Thermal Shutdown
- Latch-Off Reset via EN or Power Cycle
- QFN-13 2mm x 3mm Package

APPLICATIONS

- Laptop Computers
- Tablet PCs
- Networking Systems
- Servers
- Personal Video Recorders
- Flat Panel Televisions and Monitors
- Distributed Power Systems

All MPS parts are lead-free, halogen-free, and adhere to the RoHS directive. For MPS green status, please visit the MPS website under Quality Assurance. "MPS" and "The Future of Analog IC Technology" are registered trademarks of Monolithic Power Systems, Inc.

TYPICAL APPLICATION



ORDERING INFORMATION

Part Number*	Package	Top Marking
NB681AGD	QFN-13 (2mm x 3mm)	See Below

* For Tape & Reel, add suffix -Z (e.g. NB681AGD-Z)

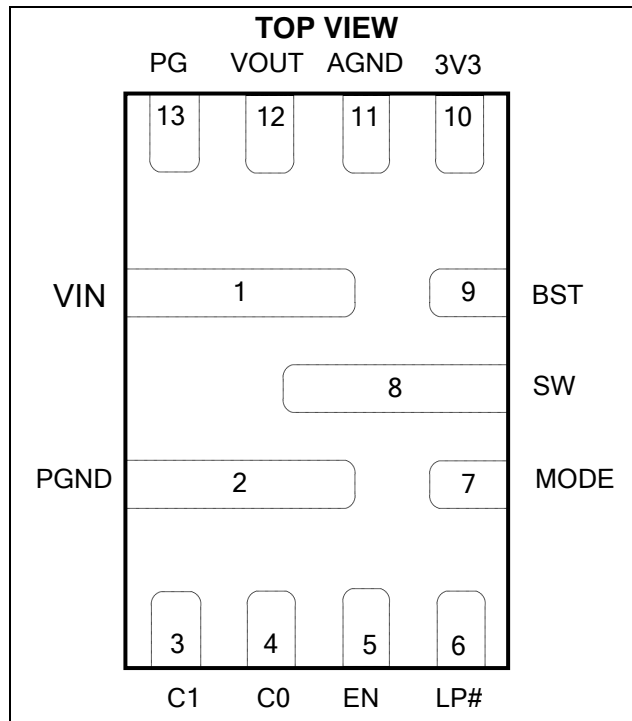
TOP MARKING

AQPY

LLL

AQP: Product code of NB681AGD
 Y: Year code
 LLL: Lot number

PACKAGE REFERENCE





ABSOLUTE MAXIMUM RATINGS ⁽¹⁾

Supply voltage (V_{IN})	28V
$V_{SW}(DC)$	-1V to 26V
V_{SW} (25 ns)	-3.6V to 28V
V_{BST}	$V_{SW} + 4.5V$
I_{EN}	100 μ A
All other pins	-0.3V to +4.5V
Continuous power dissipation ($T_A = +25^\circ C$) ⁽²⁾	
QFN-13 (2mm x 3mm)	1.8W
Junction temperature	150 $^\circ C$
Lead temperature	260 $^\circ C$
Storage temperature	-65 $^\circ C$ to +150 $^\circ C$

Recommended Operating Conditions ⁽³⁾

Supply voltage (V_{IN})	4.5V to 24V
Supply voltage (3V3)	3.15V to 3.5V
Enable current (I_{EN})	50 μ A
Operating junction temp. (T_J) ..	-40 $^\circ C$ to +125 $^\circ C$

Thermal Resistance ⁽⁴⁾	θ_{JA}	θ_{JC}
QFN-13 (2mm x 3mm)	70	15... $^\circ C/W$

NOTES:

- 1) Exceeding these ratings may damage the device.
- 2) The maximum allowable power dissipation is a function of the maximum junction temperature $T_J(MAX)$, the junction-to-ambient thermal resistance θ_{JA} , and the ambient temperature T_A . The maximum allowable continuous power dissipation at any ambient temperature is calculated by $P_D(MAX) = (T_J(MAX) - T_A) / \theta_{JA}$. Exceeding the maximum allowable power dissipation will produce an excessive die temperature, causing the regulator to go into thermal shutdown. Internal thermal shutdown circuitry protects the device from permanent damage.
- 3) The device is not guaranteed to function outside of its operating conditions.
- 4) Measured on JESD51-7, 4-layer PCB.

ELECTRICAL CHARACTERISTICS

$V_{IN} = 12V$, $3V3 = 3.3V$, $T_J = 25^{\circ}C$, $LP\# = 1$, $C1 = 1$, $C0 = 0$, $MODE = 0$, unless otherwise noted.

Parameters	Symbol	Condition	Min	Typ	Max	Units	
Supply Current							
3V3 supply current in normal mode	I_{3V3}	$V_{EN} = 3.3V$, $V_{LP\#} = 3.3V$, $V_{OUT} = 1V$		150		μA	
3V3 supply current in LP# mode	$I_{3V3_LP\#}$	$V_{EN} = 3.3V$, $V_{LP\#} = 0$		30		μA	
3V3 shutdown current	I_{3V3_SDN}	$V_{EN} = 0V$			1	μA	
MOSFET							
High-side switch on resistance	HS_{RDS-ON}			36		m Ω	
Low-side switch on resistance	LS_{RDS-ON}			13		m Ω	
Switch leakage	SW_{LKG}	$V_{EN} = 0V$, $V_{SW} = 0V$		0	1	μA	
Current Limit							
Low-side valley current limit	I_{LIMIT_LS}		7	7.6	8.5	A	
Switching Frequency and Minimum Off Timer							
Switching frequency ⁽⁵⁾	F_S	Default		750		kHz	
Constant on timer	T_{on}	$V_{IN} = 5V$, $V_{OUT} = 1.0V$	220	290	350	ns	
Minimum on time ⁽⁵⁾	T_{ON_Min}			50		ns	
Minimum off time ⁽⁵⁾	T_{OFF_Min}			250		ns	
Over-Voltage and Under-Voltage Protection							
OVP threshold	V_{OVP}	V_{FB}	120%	130%	135%	V_{REF}	
UVP-1 threshold	V_{UVP}	V_{FB}	70%	75%	80%	V_{REF}	
UVP-1 hold off timer ⁽⁵⁾	T_{OC}	$V_{OUT} = 60\% V_{REF}$		64		μs	
UVP-2 threshold	V_{UVP}	V_{FB}	45%	50%	55%	V_{REF}	
Reference and Soft Start							
Internal reference voltage	V_{REF} , MODE=0	$LP\# = 0^{(5)}$		0		mV	
		$LP\# = 1$, $C1 = 0$, $C0 = 0$		850		mV	
		$LP\# = 1$, $C1 = 0$, $C0 = 1$		875		mV	
		$LP\# = 1$, $C1 = 1$, $C0 = 0$	940	950	960	mV	
		$LP\# = 1$, $C1 = 1$, $C0 = 1$		975		mV	
	V_{REF} , MODE=Float	$LP\# = 0$			700		mV
		$LP\# = 1$, $C1 = 0$, $C0 = 0$			850		mV
		$LP\# = 1$, $C1 = 0$, $C0 = 1$			900		mV
		$LP\# = 1$, $C1 = 1$, $C0 = 0$			950		mV
		$LP\# = 1$, $C1 = 1$, $C0 = 1$			1000		mV
	V_{REF} , MODE=100k	$LP\# = 0^{(5)}$			0		mV
		$LP\# = 1$, $C1 = 0$, $C0 = 0$			800		mV
		$LP\# = 1$, $C1 = 0$, $C0 = 1$			950		mV
		$LP\# = 1$, $C1 = 1$, $C0 = 0$	990	1000	1010	mV	
		$LP\# = 1$, $C1 = 1$, $C0 = 1$			1050		mV

ELECTRICAL CHARACTERISTICS (continued)

V_{IN} = 12V, 3V3 = 3.3V, T_J = 25°C, LP# = 1, C1 = 1, C0 = 0, MODE = 0, unless otherwise noted.

Parameters	Symbol	Condition	Min	Typ	Max	Units
Internal reference voltage	V _{REF} , MODE=150k	LP# = 0, C1 = 0, C0 = 0		1590		mV
		LP# = 0, C1 = 0, C0 = 1		1990		mV
		LP# = 0, C1 = 1, C0 = 0		2380		mV
		LP# = 0, C1 = 1, C0 = 1		3300		mV
		LP# = 1, C1 = 0, C0 = 0		1200		mV
		LP# = 1, C1 = 0, C0 = 1		1500		mV
		LP# = 1, C1 = 1, C0 = 0		1800		mV
		LP# = 1, C1 = 1, C0 = 1		2500		mV
Soft-start time	T _{SS}	En to PG up	1.0	1.3	1.5	ms
VID change slew rate	SR _{VID}	MODE = float	5		10	mV/μs
		MODE = 100k	25		35	mV/μs
		MODE = 0	10		20	mV/μs
VID change timer (EOPIO) ⁽⁵⁾	T _{VID_EOPIO}	MODE = 100k			10	μs
LP# exit timer ⁽⁵⁾	T _{LP#_exit}	MODE = float			45	μs
		MODE = 0 or 100k			240	μs
MODE						
MODE source current	I _{MODE}		9	10	11.6	μA
Enable and UVLO						
EN UVLO rising threshold	V _{EN_H_UVLO}		1.1	1.2	1.3	V
EN hysteresis	V _{EN_HYS}			100		mV
EN high limit @ USM	V _{EN_H_USM}				1.7	V
EN low limit @ normal ⁽⁵⁾	V _{EN_L_Normal}		2.3			V
Enable input current	I _{EN}	V _{EN} = 3.3V		5		μA
		V _{EN} = 0V		0		
VCC under-voltage lockout threshold rising	V _{CC_Vth}		2.8	3.0	3.13	V
VCC under-voltage lockout threshold hysteresis	V _{CC_HYS}			200		mV
VIN under-voltage lockout threshold rising	V _{IN_VTH}			4.2	4.4	V
VIN under-voltage lockout threshold hysteresis	V _{IN_HYS}			300		mV
LP#, C1, and C0 Logic						
Rising threshold	V _{LH}		0.39	0.6	0.79	V
Hysteresis	V _{LHYS}			100		mV
Input current	I _{LIN}	V _{LP#,C1,C0} = 3.3V			1	μA

ELECTRICAL CHARACTERISTICS (continued)

V_{IN} = 12V, 3V3 = 3.3V, T_J = 25°C, LP# = 1, C1 = 1, C0 = 0, MODE = 0, unless otherwise noted.

Parameters	Symbol	Condition	Min	Typ	Max	Units
Power Good						
PG when Vout risng (good)	PG_Rising(GOOD)	V _{FB} rising, percentage of V _{REF}		95		%
PG when Vout falling (fault)	PG_Falling(Fault)	V _{FB} falling, percentage of V _{REF}		90		
PG when Vout rising (fault)	PG_Rising(Fault)	V _{FB} rising, percentage of V _{REF}		115		
PG when Vout falling (good)	PG_Falling(GOOD)	V _{FB} falling, percentage of V _{REF}		105		
Power good low to high delay	PG _{Td}			2	7	μs
EN low to power good low delay	PG _{Td_EN low}				1	μs
PG sink current capability	V _{PG}	Sink 4mA			0.4	V
Thermal Protection						
Thermal shutdown ⁽⁵⁾	T _{SD}			145		°C
Thermal shutdown hysteresis ⁽⁵⁾	T _{SD_HYS}			25		°C

NOTE:

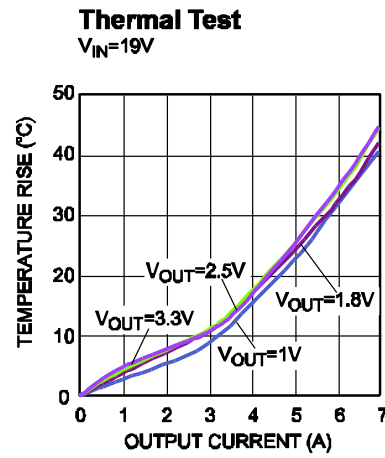
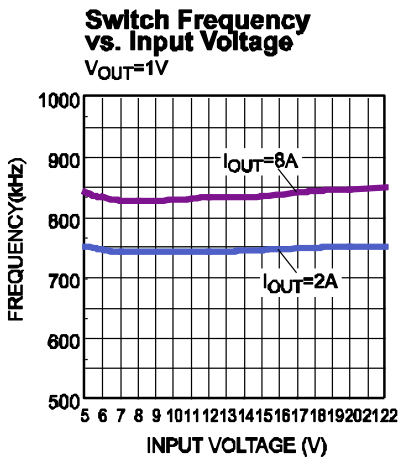
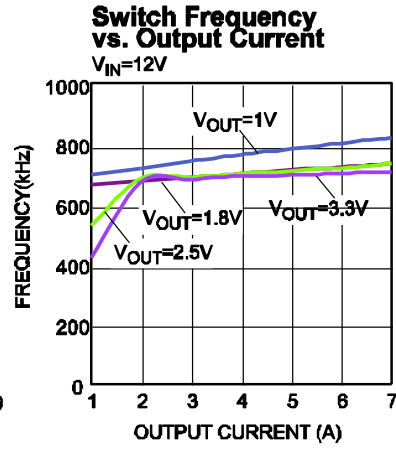
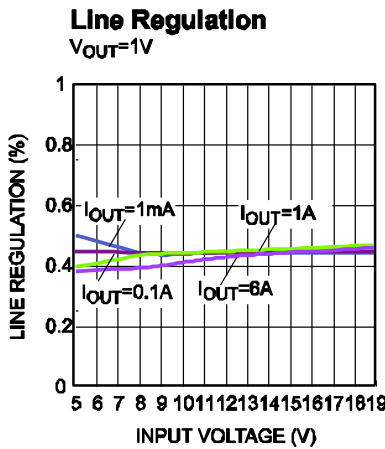
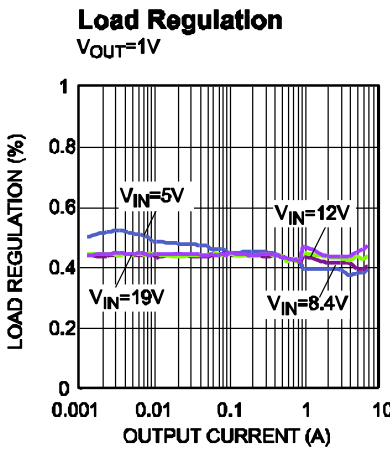
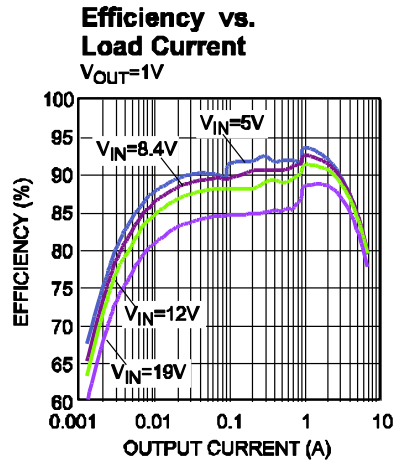
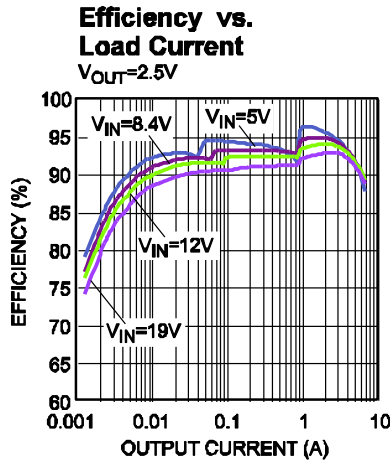
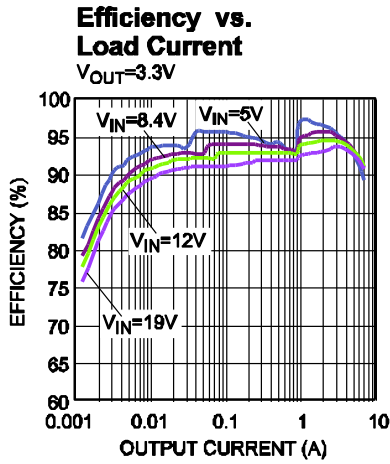
5) Guaranteed by design.

PIN FUNCTIONS

PIN #	Name	Description
1	VIN	Supply voltage input. The NB681 operates from a +4.5V to +24V input rail. An input capacitor is needed to decouple the input rail. Use wide PCB traces and multiple vias to make the connection with at least two layers for the input trace.
2	PGND	Power ground. Use wide PCB traces and multiple vias to make the connection.
3, 4	C1, C0	2-bit VID control input. Set C1 and C0 with MODE to get different voltage references for different rails. C1 and C0 are pulled high internally.
5	EN	Enable. Drive EN high to turn on the buck regulator; drive EN low to turn off the buck regulator. (There is an internal 800kΩ pull-down resistor on EN). EN determines USM. If EN is within 1.3V-1.7V, it is in USM. If EN > 2.3V, it is in normal mode. For normal operation, it is recommended that EN rising finishes in < 1ms.
6	LP#	Low-power mode control signal. Pull LP# high in normal operation. Pull LP# low to enter low-power mode. Usually, LP# is controlled by the SLP#S0 of the system. LP# is pulled high internally.
7	MODE	Selection for IMVP8 applications—VCCIO/PRIMCORE/EDRAM/EOPIO/V1.0A and other POLs (1.8V/2.5V/3.3V) with external 1% resistors.
8	SW	Switch output. Connect SW to the inductor and bootstrap capacitor. SW is connected to VIN when the HS-FET is on; SW is connected to PGND when the LS-FET is on. Use wide and short PCB traces to make the connection. SW is noisy, so keep sensitive traces away from SW.
9	BST	Bootstrap. A >100nF capacitor connected between SW and BST is required to form a floating supply across the high-side switch driver.
10	3V3	External 3V3 VCC input for control and driver. Place a 1μF decoupling capacitor close to 3V3 and AGND.
11	AGND	Signal logic ground. Make a Kelvin connection to PGND near the VCC capacitor. AGND can be applied as a remote sense ground with proper setting.
12	VOUT	Output sense input. Connect VOUT to the remote output capacitor with good GND decoupling. Keep the VOUT trace away from SW or other noisy nodes. It is recommended to use a >20mil trace for the VOUT sense.
13	PG	Power good output. PG is an open-drain signal. PG is high if the output voltage is higher than 95% of the nominal voltage or lower than 105% of the nominal voltage.

TYPICAL PERFORMANCE CHARACTERISTICS

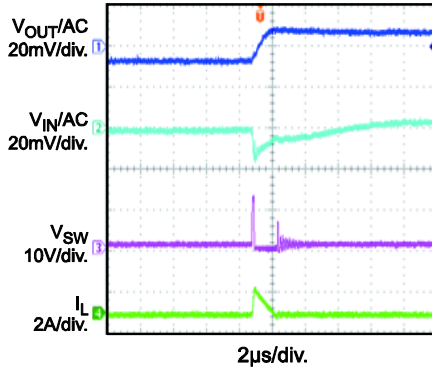
$V_{IN} = 12V$, $V_{OUT} = 1V$, $L = 1.0\mu H/10m\Omega$, $R_{MDOE} = 100k\Omega$, $LP\# = C1 = 1$, $C0 = 0$, $R_{bst} = 0$, $T_J = +25^\circ C$, $C_{out} = 22\mu F \times 3$ unless otherwise noted.



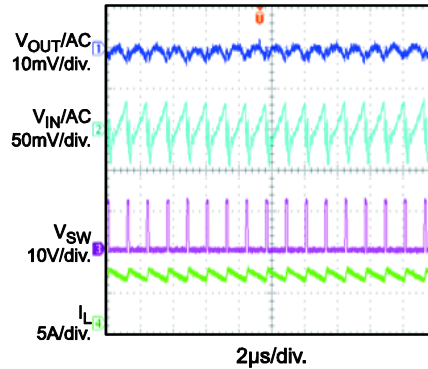
TYPICAL PERFORMANCE CHARACTERISTICS

$V_{IN} = 12V$, $V_{OUT} = 1V$, $L = 1.0\mu H/10m\Omega$, $R_{MODE} = 100k\Omega$, $LP\# = C1 = 1$, $C0 = 0$, $R_{bst} = 0$, $T_J = +25^\circ C$, $C_{OUT} = 22\mu F \times 3$ unless otherwise noted.

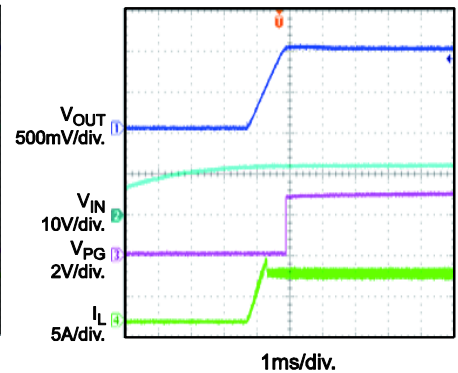
Input/Output Voltage Ripple
 $I_{OUT} = 0A$



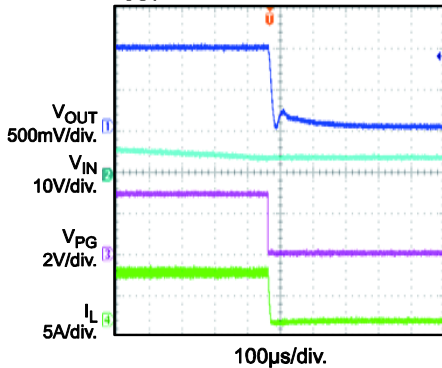
Input/Output Voltage Ripple
 $I_{OUT} = 6A$



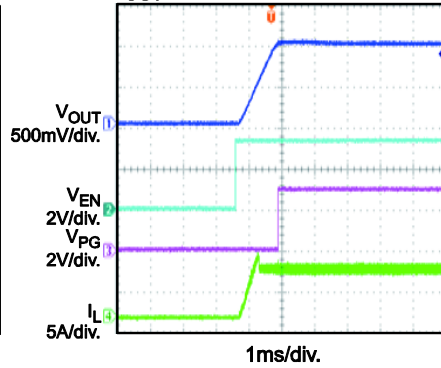
Power Good through V_IN Start-Up
 $I_{OUT} = 6A$



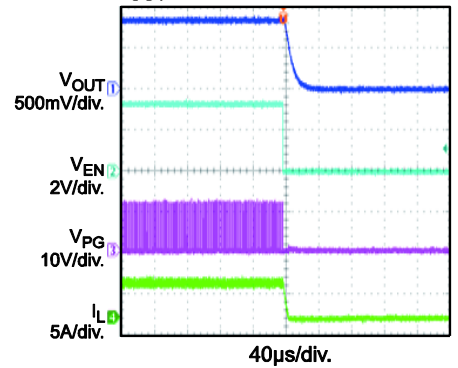
Power Good through V_IN Shutdown
 $I_{OUT} = 6A$



Power Good through EN Start-Up
 $I_{OUT} = 6A$

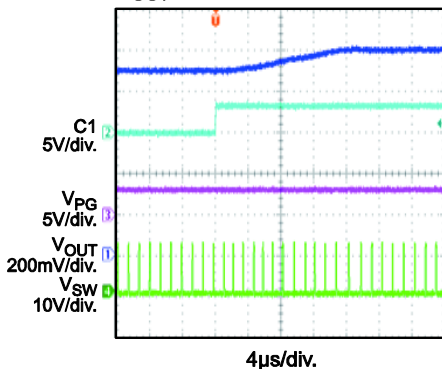


Power Good through EN Shutdown
 $I_{OUT} = 6A$



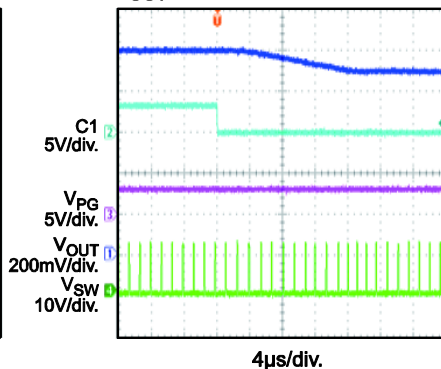
VID Transient

$I_{OUT} = 1A$, $C0 = 1$, $C1 = 0$ to 1 ,
 $R_{MODE} = \text{Float (VCCPRIMCORE)}$
 $V_{OUT} = 0.9V - 1V$



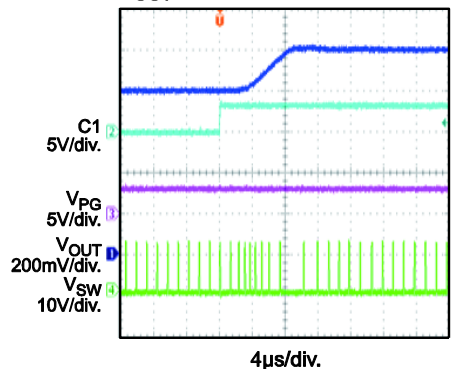
VID Transient

$I_{OUT} = 1A$, $C0 = 1$, $C1 = 1$ to 0 ,
 $R_{MODE} = \text{Float (VCCPRIMCORE)}$
 $V_{OUT} = 1V - 0.9V$



VID Transient

$I_{OUT} = 1A$, $C0 = 0$, $C1 = 0$ to 1 ,
 $R_{MODE} = 100k$ (EOPIO)
 $V_{OUT} = 0.8V - 1V$

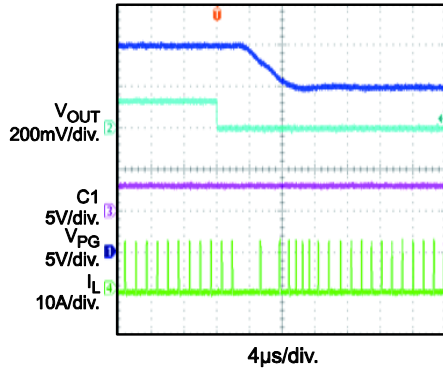


TYPICAL PERFORMANCE CHARACTERISTICS

$V_{IN} = 12V$, $V_{OUT} = 1V$, $L = 1.0\mu H/10m\Omega$, $R_{MODE} = 100k\Omega$, $LP\# = C1 = 1$, $C0 = 0$, $R_{bst} = 0$, $T_J = +25^\circ C$,
 $C_{out} = 22\mu F \times 3$ unless otherwise noted.

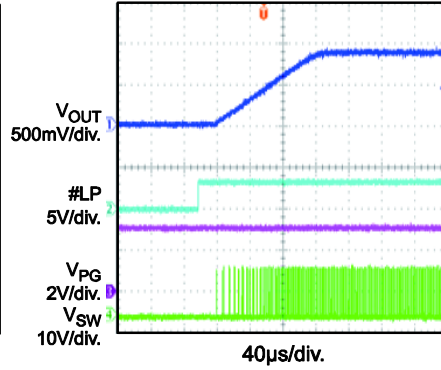
VID Transient

$I_{OUT} = 1A$, $C0 = 0$, $C1 = 1$ to 0,
 $R_{MODE} = 100k$ (EOPIO)
 $V_{OUT} = 1V - 0.8V$



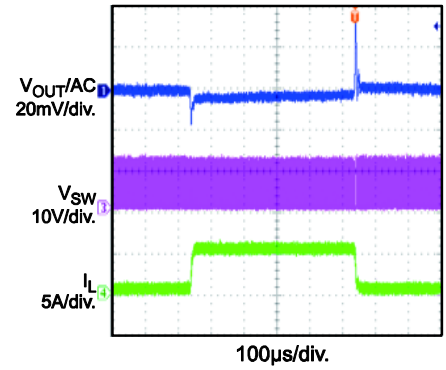
LP# Transient

$I_{OUT} = 3A$, $C1 = 1$, $C0 = 1$,
 $LP\# = 0 - 1$, $R_{MODE} = 0$ (VCCIO)
 $V_{OUT} = 0V - 1V$



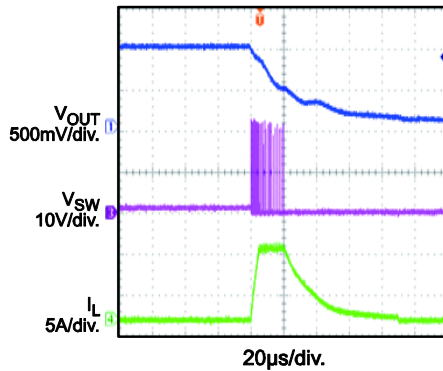
Load Transient

$I_{OUT} = 0.6A - 5.4A @ 1.6A/\mu s$



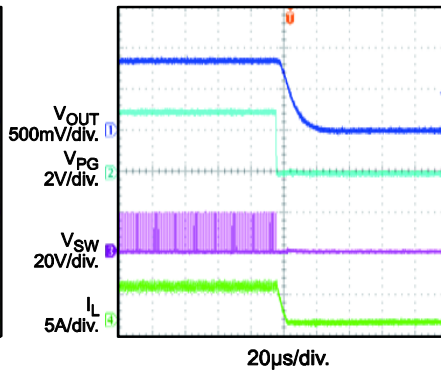
Short-Circuit Protection

$V_{IN} = 22V$



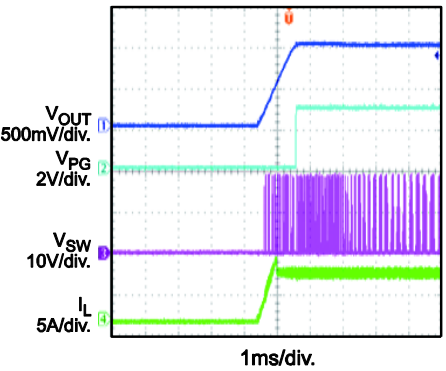
Thermal Shutdown

$V_{IN} = 19V$, $I_{OUT} = 6A$



Thermal Recovery

$V_{IN} = 19V$, $I_{OUT} = 6A$



FUNCTIONAL BLOCK DIAGRAM

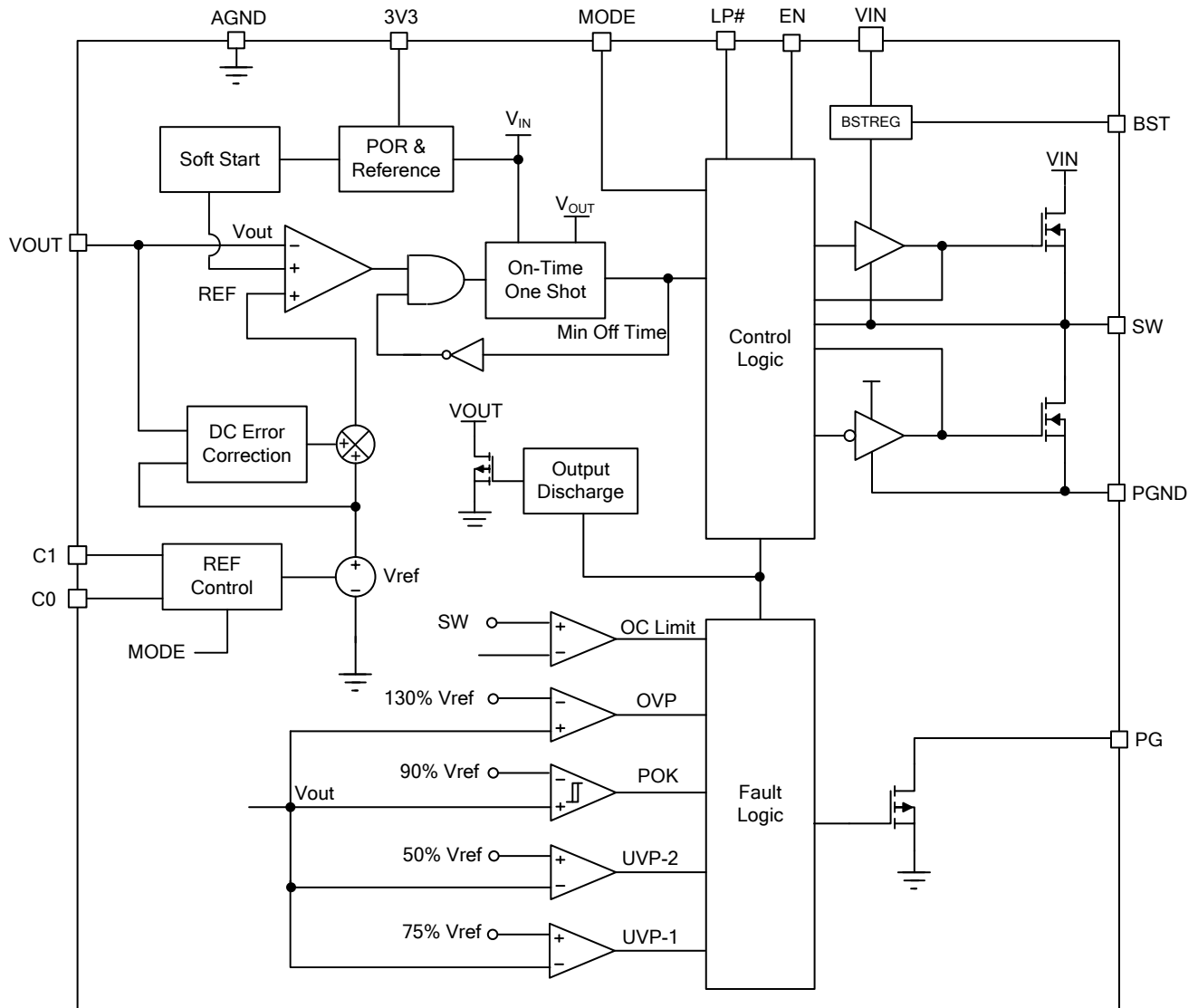


Figure 1: Functional Block Diagram

OPERATION

PWM Operation

The NB681A is a fully integrated, synchronous, rectified, step-down, switch-mode converter, especially designed for IMVP8 applications—VCCIO, PRIMCORE, EDRAM, EOPIO, V1.0A, and other POLs (1.8V/2.5V/3.3V). Constant-on-time (COT) control provides fast transient response and eases loop stabilization. At the beginning of each cycle, the high-side MOSFET (HS-FET) is turned on when the feedback voltage (V_{FB}) is below the reference voltage (V_{REF}), which indicates insufficient output voltage. The on period is determined by the output voltage and the input voltage to make the switching frequency fairly constant over the input voltage range.

After the on period elapses, the HS-FET is turned off or enters an off state. It is turned on again when V_{FB} drops below V_{REF} . By repeating operation this way, the converter regulates the output voltage. The integrated low-side MOSFET (LS-FET) is turned on when the HS-FET is in its off state to minimize the conduction loss. A dead short occurs between the input and GND if both the HS-FET and the LS-FET are turned on at the same time (shoot-through). In order to avoid shoot-through, a dead time (DT) is generated internally between the HS-FET off and the LS-FET on period or the LS-FET off and the HS-FET on period.

Internal compensation is applied for COT control for stable operation even when ceramic capacitors are used as output capacitors. This internal compensation improves the jitter performance without affecting the line or load regulation.

CCM Operation

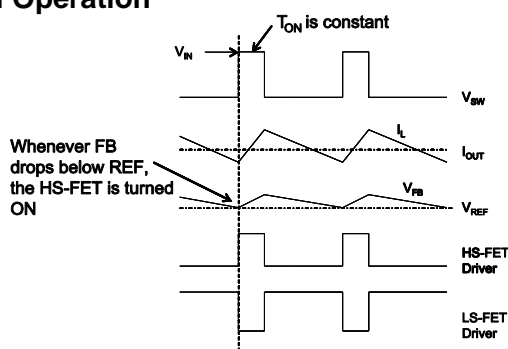


Figure 2: CCM Operation

Continuous conduction mode (CCM) occurs when the output current is high, and the inductor current is always above zero amps (see Figure 2). When V_{FB} is below V_{REF} , the HS-FET is turned on for a fixed interval. When the HS-FET is turned off, the LS-FET is turned on until the next period.

In CCM operation, the switching frequency is fairly constant (PWM mode).

DCM Operation

When the load decreases, the inductor current will decrease as well. Once the inductor current reaches zero, the part transitions from CCM to discontinuous conduction mode (DCM).

DCM operation is shown in Figure 3. When V_{FB} is below V_{REF} , the HS-FET is turned on for a fixed interval, which is determined by the one-shot on timer. See Equation (1). When the HS-FET is turned off, the LS-FET is turned on until the inductor current reaches zero. In DCM operation, the V_{FB} does not reach V_{REF} when the inductor current approaches zero. The LS-FET driver turns into tri-state (high Z) when the inductor current reaches zero. A current modulator takes over the control of the LS-FET and limits the inductor current to less than -1mA. Hence, the output capacitors discharge slowly to GND through the LS-FET. As a result, the efficiency at light-load is improved greatly. The HS-FET is not turned on as frequently during a light-load condition as it is during a heavy-load condition (skip mode).

At a light-load or no-load condition, the output drops very slowly, and the NB681A reduces the switching frequency naturally, achieving high efficiency at light load.

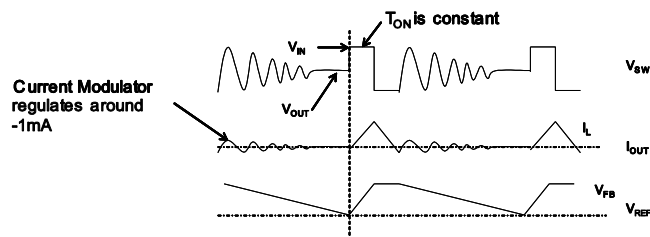


Figure 3: DCM Operation

As the output current increases from the light-load condition, the time period within which the current modulator regulates becomes shorter. The HS-FET is turned on more frequently; the switching frequency increases accordingly. The output current reaches the critical level when the current modulator time is zero. The critical level of the output current is determined with Equation (1):

$$I_{OUT} = \frac{(V_{IN} - V_{OUT}) \times V_{OUT}}{2 \times L \times F_{SW} \times V_{IN}} \quad (1)$$

The device enters PWM mode once the output current exceeds the critical level. After that, the switching frequency stays fairly constant over the output current range.

DC Auto-Tune Loop

NB681A applies a DC auto-tune loop to balance the DC error between V_{FB} and V_{REF} by adjusting the comparator input REF to make V_{FB} always follow V_{REF} . This loop is quite slow, so it improves the load and line regulation without affecting transient performance. The relationship between V_{FB} , V_{REF} , and REF is shown in Figure 4.

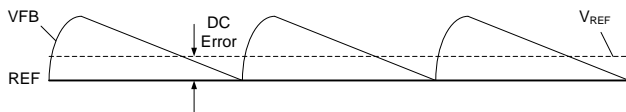


Figure 4: DC Auto-Tune Loop Operation

VCCIO/PRIMCORE/EDRAM/EOPIO/V1.0A MODE Selection

NB681A combines mode selection to support different rails in IMVP8 applications, including VCCIO, PRIMCORE, EDRAM, EOPIO, and V1.0A. These rails have different (normal) VID and different voltages in LPM, VID slew rate, and other features. By selecting a different resistor from MODE to GND, NB681A can be applied in different rails with proper features. Table 1 shows the resistor settings on MODE to enter different rails.

Table 1: MODE Selection for Different Rails

MODE	VR Rail	Resistor to GND (1% Accuracy)
M1	VCCIO	0
M2	PRIMCORE	Float or > 230K
M3	EDRAM/V1.0A/EOPIO	100K
M4	Others	150K

Low-Power Mode

To minimize power loss at light-load, the NB681A enters low-power mode once LP# is set to low. NB681A is allowed to decay to the LPM target value with the assertion of LP#. When VR enters LPM, it behaves in the following manner:

- PG remains high to all power good logic.
- VR stops switching (except PRIMCORE mode).
- The output decays into the load (discharge circuitry is off) and decays to 0V.

Once LP# changes from 0V to 1V, the NB681A exits LPM by ramping up V_{out} (with a proper delay and slew rate) to make sure the output is ready in 240µs, including the delay time (T_{delay}). The operation timing and slew rate of LP# and V_{out} is shown in Figure 5.

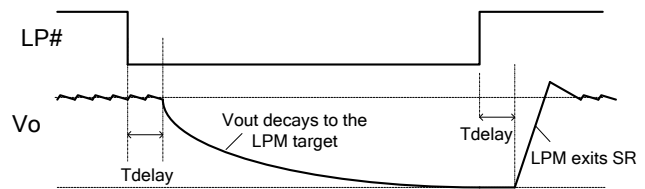


Figure 5: LPM Voltage Transition and Timing

The LPM target value, slew rate, and PG state for different rails are listed in Table 2.

Table 2: Intel LPM Specification for Each Rail

	PRIMCORE	VCCIO	EDRAM/EOPIO	OTHER
LPM Target(V)	0.7	0	0	0
LPM Enter	Decay	Decay	Decay	Decay
LPM Exit Timer(µs)	45	240	240	240
PG during LPM	High	High	High	High

Control Bit Definitions (LP# and VID)

The control bit definitions, including LP# and VIDx for different rails, are shown in Table 3. Note that C1, C0, and LP# are NOT allowed to change on-the-fly when the part is working in Others mode.

Table 3 : Control Bit Logics

	LP#	C1	C0	VOUT(V)
VCCIO	0	X	X	0
	1	0	0	0.85
	1	0	1	0.875
	1	1	0	0.95
	1	1	1	0.975
VCCPRIM _CORE	0	X	X	0.7
	1	0	0	0.85
	1	0	1	0.9
	1	1	0	0.95
	1	1	1	1.00
EDRAM/ EOPIO/ V1.0A	0	X	X	0
	1	0	0	0.8 (MSM)
	1	0	1	0.95
	1	1	0	1
	1	1	1	1.05
Others (Fixed design only, not allowed for changing on-the-fly)	0	0	0	1.59
	0	0	1	1.99
	0	1	0	2.38
	0	1	1	3.3
	1	0	0	1.2
	1	0	1	1.5
	1	1	0	1.8
	1	1	1	2.5

Configuring EN Control

EN is used to enable or disable the whole chip. Pull EN high to turn on the regulator; pull EN low to turn off the regulator. It is recommended to have EN rise from 0V to over 2.3V in less than 1ms. Note that there is an internal 800KΩ pull-down resistor on EN.

EN works with the LP# signal to control the output (see Table 4).

Table 4 : EN/LP# Control

EN	LP#	Output	PG
0	0	0V, Off	Low
0	1	0V, Off	Low
1	0	Normal turn on and fall to LP# target value after PG + 1 ms	Asserted when the output reaches the nominal voltage and remains high during LP# = 0
1	1	High	Remains asserted after SS

Soft Start (SS)

The NB681A employs a soft-start (SS) mechanism to ensure smooth output during power-up. When EN goes high, the internal reference voltage ramps up gradually; hence, the output voltage ramps up smoothly as well. Once the reference voltage reaches the target value, the soft start finishes, and the part enters steady-state operation.

If the output is pre-biased to a certain voltage during start-up, the IC disables the switching of both the high-side and low-side switches until the voltage on the internal reference exceeds the sensed output voltage at the internal FB node.

Power Good (PG)

The NB681A has power good (PG) output used to indicate whether the output voltage of the buck regulator is ready. PG is an open drain of a MOSFET. It should be connected to 3V3 or another voltage source through a resistor (e.g. 100k). After the input voltage is applied, the MOSFET is turned on, so that PG is pulled to GND before SS is ready. After the FB voltage reaches 95% of V_{REF} , PG is pulled high in less than 10μs. When the FB voltage drops to 90% of V_{REF} (or rises higher than 115% of V_{REF}), PG is pulled low.

Note that when LP# goes from 1→0, PG stays high for all the power good logic.

Start-Up and Shutdown Sequence

Figure 6 shows the start-up and shutdown sequence, including LP# and PG. During start-up, PG goes high immediately when Vout reaches its normal range. LP# mode is blanked until PG + 1ms, meaning the NB681A is not able to enter LP# mode during the start-up period + 1 ms.

Vout decays to the target LPM setting when LP# pulls low and is able to ramp up to its normal value in the Intel required timing. PG pulls low immediately after EN goes low.

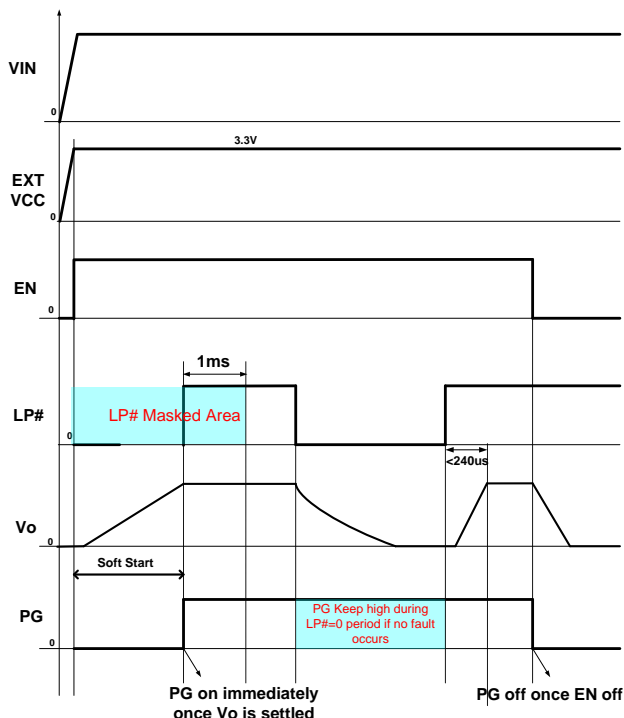


Figure 6: Power Sequence and EN/PG Logic Ultra-Sonic Mode

Ultra-sonic mode (USM) is designed to keep the switching frequency above an audible frequency area during light-load or no-load conditions. Once the part detects both the HS-FET and the LS-FET are off (for about 32µs), it will force PWM to initiate Ton, so the switching frequency will be out of audio range. To avoid Vout becoming too high, it shrinks Ton to control the Vout. If the FB is still too high after shrinking Ton to its minimum value, the output discharge function is activated, keeping Vout within a reasonable range. USM is selected by the voltage threshold on EN (see Table 5). To enter USM, set EN with two resistors as a divider (e.g. two 100kΩ resistors from 3.3V logic to get 1.65V).

Table 5: USM Selection

Mode	Voltage on EN
USM	1.3V < EN < 1.7V
Normal operation	2.3V < EN < 3.5V

Over-Current Protection (OCP)

NB681A has cycle-by-cycle over-current limiting control. The current-limit circuit employs a "valley" current-sensing algorithm. The part uses the Rds(on) of the LS-FET as a current-sensing element. If the magnitude of the current is above the current-limit threshold, the PWM is not allowed to initiate a new cycle even if FB is lower than REF. Figure 7 shows the detailed operation of the valley current limit.

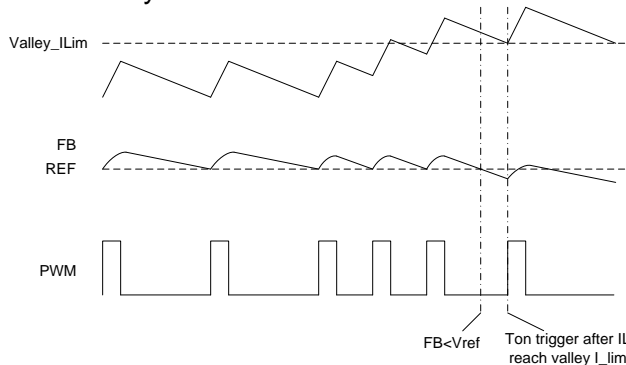


Figure 7: Valley Current-Limit Operation

Since the comparison is done during the LS-FET on state, the OC trip level sets the valley level of the inductor current. The maximum load current at the over-current threshold (Ioc) can be calculated using Equation (2):

$$I_{oc} = I_limit + \frac{\Delta I_{inductor}}{2} \tag{2}$$

The OCL itself only limits the inductor current and does not latch off. In an over-current condition, the current to the load exceeds the current to the output capacitor; thus the output voltage tends to fall off. Eventually, it ends up crossing the under-voltage protection (UVP) threshold and latches off. Fault latching can be re-set by EN going low or the power-cycling of VIN.

Over/Under-Voltage Protection (OVP/UVP)

NB681A monitors the output voltage to detect over and under voltage. When the feedback voltage becomes higher than 130% of the feedback voltage, the OVP comparator output goes high, and the circuit latches (as the HS-FET driver turns off, and the LS-FET driver turns on), acting as a -2A current source.

To protect the part from damage, there is an absolute 3.9V OVP on VOUT. Once Vout reaches this value, it latches off. The LS-FET behaves the same as at 130% OVP. This OVP is active even in LP# mode.

When the feedback voltage becomes lower than 75% of Vref, the UVP-1 comparator output goes high, and the part latches if the FB voltage stays in this range for about 64 μ s (latching the HS-FET off and LS-FET on). The LS-FET remains on until the inductor current hits zero. During this period, the valley current limit helps control the inductor current.

When the feedback voltage drops below 60% of the Vref, the UVP-2 comparator output goes high, and the part latches off directly after the comparator and logic delay (latching the HS-FET off and the LS-FET on). The LS-FET remains on until the inductor current hits zero. Fault latching can be reset by EN going low or the power cycling of VIN or VCC.

UVLO Protection

The NB681A has two kinds of under-voltage lockout protection: a 3V VCC UVLO and a 4.2V Vin UVLO. The part starts up only when both the VCC and Vin exceed their own UVLO. The part shuts down when either the VCC voltage is lower than the UVLO falling threshold voltage (2.8V, typically), or the VIN is lower than the 3.9V Vin falling threshold. Both UVLO protections are non-latch off.

Thermal Shutdown (TSD)

Thermal shutdown is employed in the NB681A. The junction temperature of the IC is monitored internally. If the junction temperature exceeds the threshold value (145°C, typically), the converter shuts off. This is a non-latch protection. There is about 25°C hysteresis. Once the junction temperature drops to about 120°C, it initiates a SS.

Output Discharge

NB681A discharges the output when EN is low, or the controller is turned off by the protection functions UVP, OVP, UVLO, and thermal shutdown. The part discharges the outputs using an internal 3 Ω MOSFET.

Remote Sense

When remote sense is required, AGND acts as remote sen-, which is connected to the remote ground of the output capacitors. VOUT acts as remote sen+. The VCC capacitor connected between 3V3 and AGND is still required and should be placed very close to the IC. Figure 9 shows the SCH with a remote sense connection. For additional remote sense details, refer to AN086 .

APPLICATION INFORMATION

Input Capacitor

The input current to the step-down converter is discontinuous, and therefore requires a capacitor to supply the AC current to the step-down converter while maintaining the DC input voltage. Ceramic capacitors are recommended for best performance and should be placed as close to VIN as possible. Capacitors with X5R and X7R ceramic dielectrics are recommended because they are fairly stable with temperature fluctuations.

The capacitors must have a ripple current rating greater than the maximum input ripple current of the converter. The input ripple current can be estimated using Equation (3) and Equation (4):

$$I_{CIN} = I_{OUT} \times \sqrt{\frac{V_{OUT}}{V_{IN}} \times \left(1 - \frac{V_{OUT}}{V_{IN}}\right)} \quad (3)$$

The worst-case condition occurs at $V_{IN} = 2V_{OUT}$, where:

$$I_{CIN} = \frac{I_{OUT}}{2} \quad (4)$$

For simplification, choose an input capacitor with an RMS current rating greater than half of the maximum load current.

The input capacitor value determines the input voltage ripple of the converter. If there is an input voltage ripple requirement in the system, choose the input capacitor that meets the specification.

The input voltage ripple can be estimated using Equation (5) and Equation (6):

$$\Delta V_{IN} = \frac{I_{OUT}}{F_{SW} \times C_{IN}} \times \frac{V_{OUT}}{V_{IN}} \times \left(1 - \frac{V_{OUT}}{V_{IN}}\right) \quad (5)$$

The worst-case condition occurs at $V_{IN} = 2V_{OUT}$, where:

$$\Delta V_{IN} = \frac{1}{4} \times \frac{I_{OUT}}{F_{SW} \times C_{IN}} \quad (6)$$

Output Capacitor

An output capacitor is required to maintain the DC output voltage. Ceramic or POSCAP capacitors are recommended. The output voltage ripple can be estimated with Equation (7):

$$\Delta V_{OUT} = \frac{V_{OUT}}{F_{SW} \times L} \times \left(1 - \frac{V_{OUT}}{V_{IN}}\right) \times \left(R_{ESR} + \frac{1}{8 \times F_{SW} \times C_{OUT}}\right) \quad (7)$$

When using ceramic capacitors, the impedance at the switching frequency is dominated by the capacitance. The output voltage ripple is caused mainly by the capacitance. For simplification, the output voltage ripple can be estimated with Equation (8):

$$\Delta V_{OUT} = \frac{V_{OUT}}{8 \times F_{SW}^2 \times L \times C_{OUT}} \times \left(1 - \frac{V_{OUT}}{V_{IN}}\right) \quad (8)$$

When using POSCAP capacitors, the ESR dominates the impedance at the switching frequency. The output ripple can be approximated with Equation (9):

$$\Delta V_{OUT} = \frac{V_{OUT}}{F_{SW} \times L} \times \left(1 - \frac{V_{OUT}}{V_{IN}}\right) \times R_{ESR} \quad (9)$$

The maximum output capacitor limitation should be considered in design application. For a small soft-start time period (if the output capacitor value is too high), the output voltage cannot reach the design value during the soft-start time, causing it to fail to regulate. The maximum output capacitor value (C_{O_MAX}) can be limited approximately using Equation (10):

$$C_{O_MAX} = (I_{LIM_AVG} - I_{OUT}) \times T_{SS} / V_{OUT} \quad (10)$$

Where I_{LIM_AVG} is the average start-up current during the soft-start period (it can be equivalent to the current limit value), and T_{SS} is the soft-start time.

Inductor

The inductor is necessary to supply constant current to the output load while being driven by the switched input voltage. A larger value inductor results in less ripple current, resulting in a lower output ripple voltage. However, a larger value inductor will have a larger physical footprint, a higher series resistance, and/or a lower saturation current. A good rule for determining the inductance value is to design the peak-to-peak ripple current in the inductor to be in the range of 30% to 50% of the maximum output current with the peak inductor current below the maximum switch current limit. The inductance value can be calculated using Equation (11):

$$L = \frac{V_{OUT}}{F_{SW} \times \Delta I_L} \times \left(1 - \frac{V_{OUT}}{V_{IN}}\right) \quad (11)$$

Where ΔI_L is the peak-to-peak inductor ripple current.

The inductor should not saturate under the maximum inductor peak current (including short current), so it is suggested to choose $I_{sat} > 7.5A$.

PCB LAYOUT GUIDELINES

Efficient PCB layout is critical for the performance of the IC. For best results, refer to Figure 8 and follow the guidelines below. For more information, refer to **AN087**.

1. Place the high-current paths (PGND, IN, and SW) very close to the device with short, direct, and wide traces. **A wide PGND trace under the IC is the number one priority.**
2. Place the input capacitors as close to IN and GND as possible on the same layer as the IC.
3. Place the decoupling capacitor as close to VCC and GND as possible. Keep the switching node (SW) short and away from the feedback network.

4. Keep the BST voltage path as short as possible with a > 25mil trace.
5. Keep the IN and GND pads connected with a large copper plane to achieve better thermal performance. Add several vias (with 10mil drill/18mil copper width) close to the IN and GND pads to help thermal dissipation.
6. A 4-layer layout is recommended to achieve better thermal performance.
7. Use a >20mil trace for the Vout sense for output discharge.

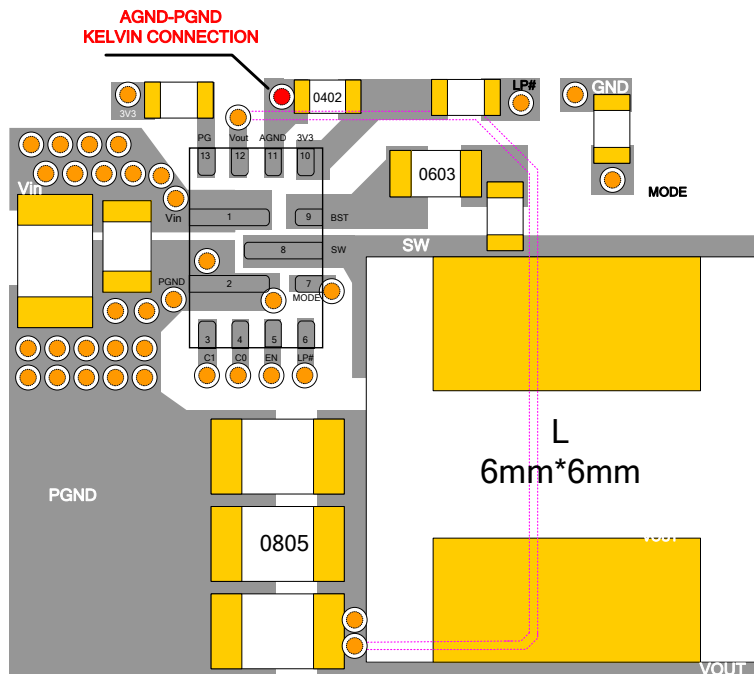


Figure 8: Recommended PCB Layout

Recommended Design Example

Design examples are provided in Table 6.1 when ceramic capacitors are applied.

There is a resistor from the external 3.3V power supply to 3V3 acting as the ripple noise filter of the 3.3V power supply. It is recommended that the resistor have a value from 0Ω-5.1Ω, depending on the noise level. A 0402 size resistor will suffice if the 3.3V voltage rises with a soft-start timer > 100μs. Otherwise, a larger size resistor (e.g., 0603/0805) is needed.

Table 6.1: Design Example for Different Rails

V _{OUT} (V)	R _{Mode} (Ω)	C _{out} (F)	L (μH)
VCCIO	0	22μx3	0.68~1
PRIMCORE	Float	22μx3	0.68~1
EDRAM/ EOPIO/ V1.0A	100K	22μx3	0.68~1
Others- 1.8V/2.5V	150K	22μx4	1.0~1.5
Others-3.3V	150K	22μx4 ^[6]	1.2~1.5

Note^[6]: If Vin is lower than 7V, apply a 150μF POSCAP as Cout, considering the transient.

TYPICAL APPLICATION—FOR DIFFERENT RAILS
VCCIO

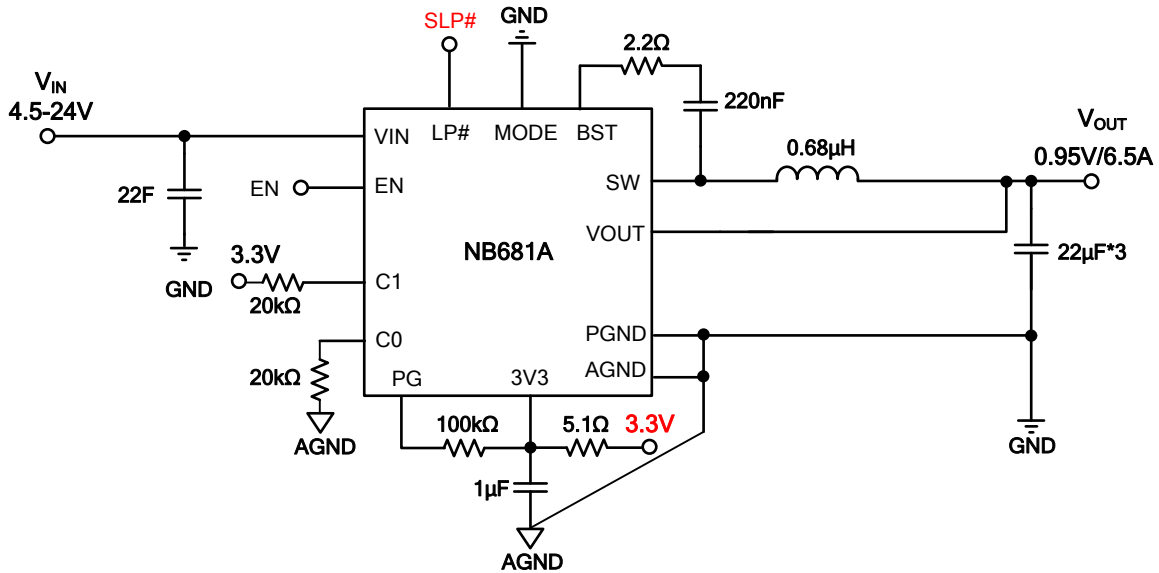


Figure 8.1: Typical Application Schematic for VCCIO, Default 0.95V (C1 and C0 can be Pulled High/Floating or Low Directly without a Resistor if Vout is Fixed)

PRIMCORE

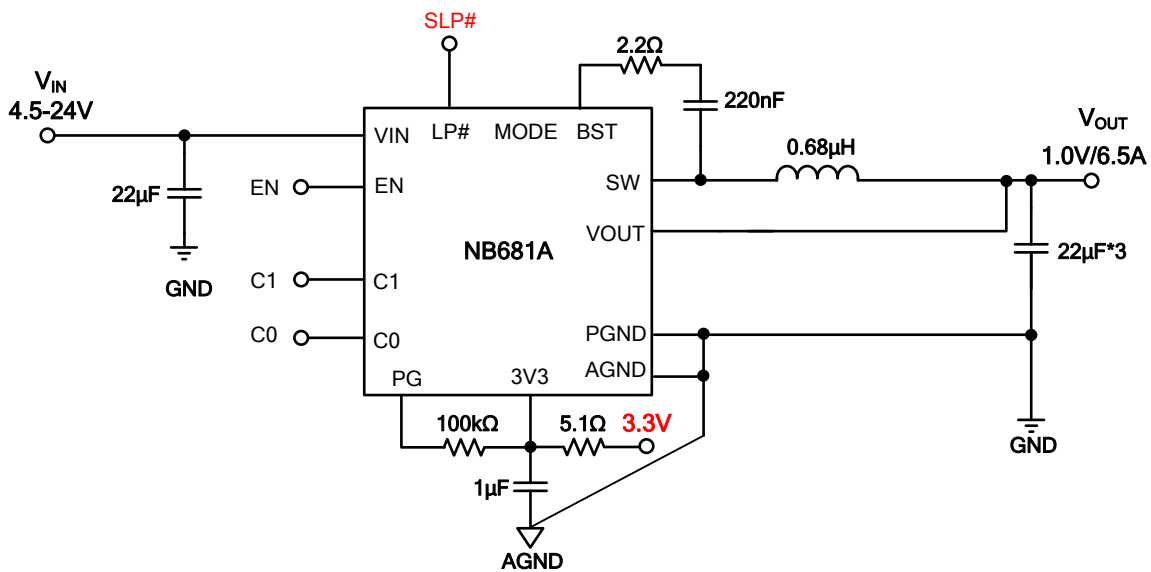


Figure 8.2: Typical Application Schematic for PRIMCORE, Vout Adjusted by VID

TYPICAL APPLICATION—FOR DIFFERENT RAILS

EDRAM & V1.0A

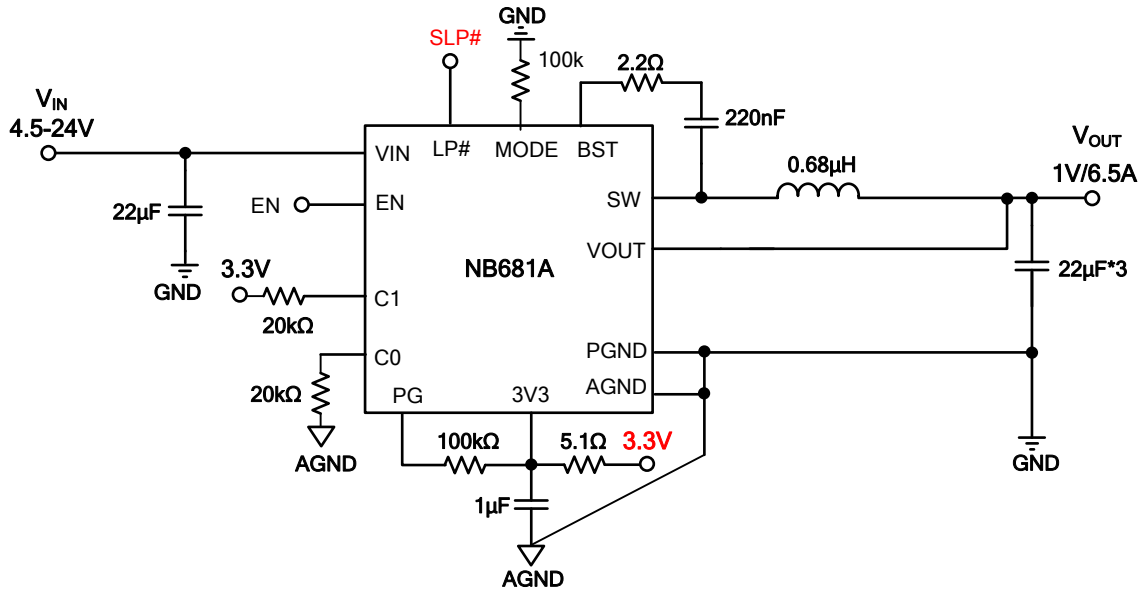


Figure 8.3: Typical Application Schematic for EDRAM and V1.0A, Default 1V, (C1 and C0 can be Pulled High/Floating or Low Directly without a Resistor if Vout is Fixed)

EOPIO

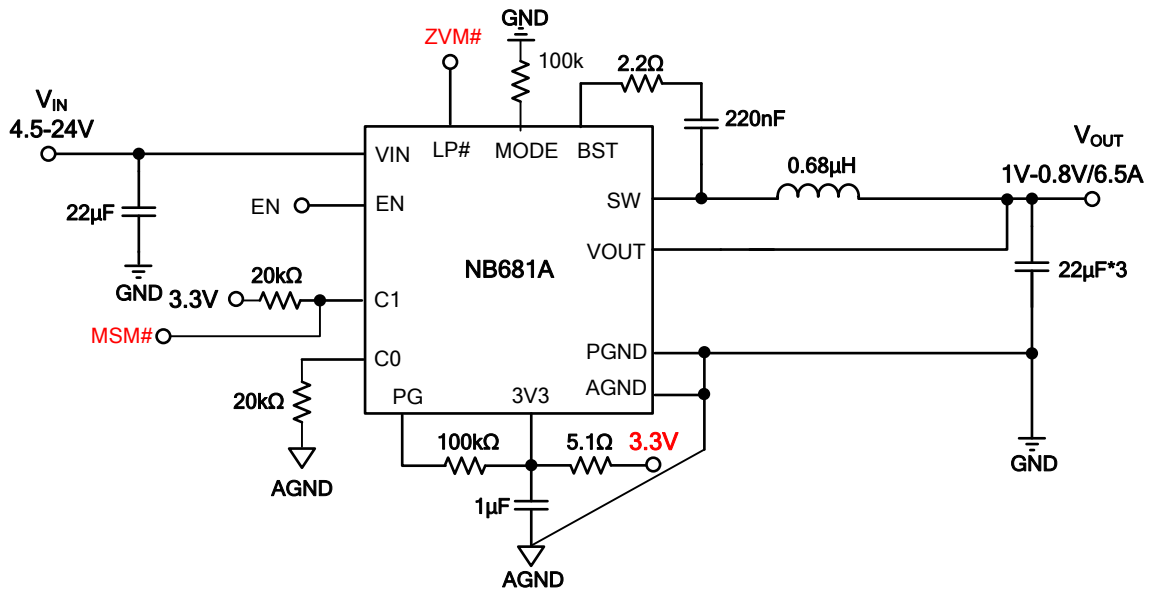


Figure 8.4: Typical Application Schematic for EOPIO

TYPICAL APPLICATION--FOR DIFFERENT RAILS

Others (1.8V)

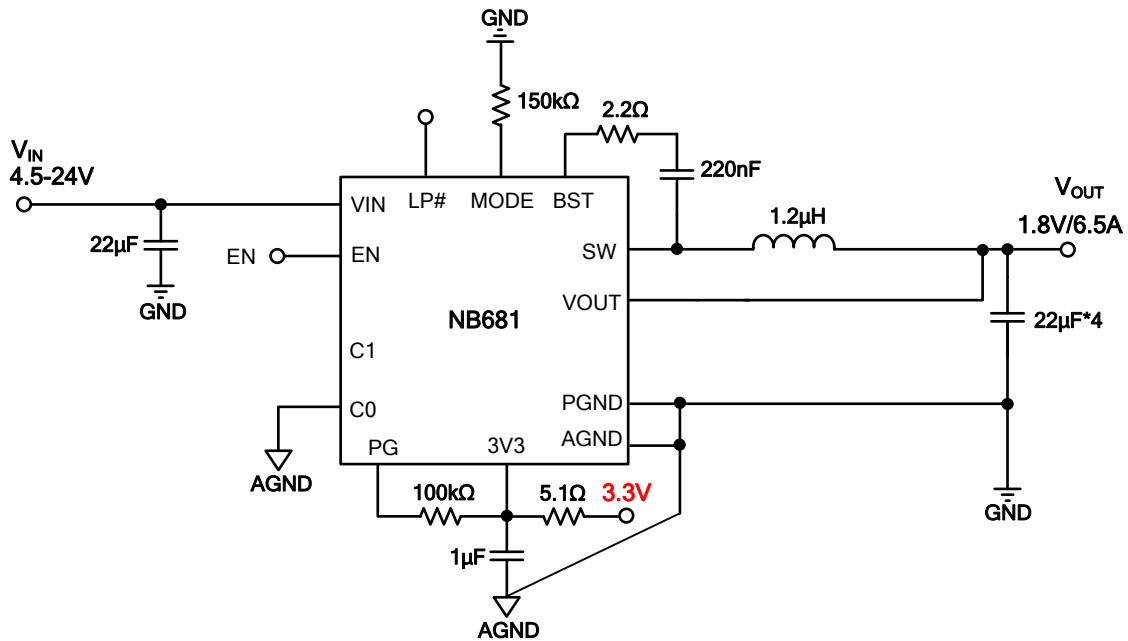


Figure 8.5: Typical Application Schematic for Others Mode (1.8V)

Others (2.5V)

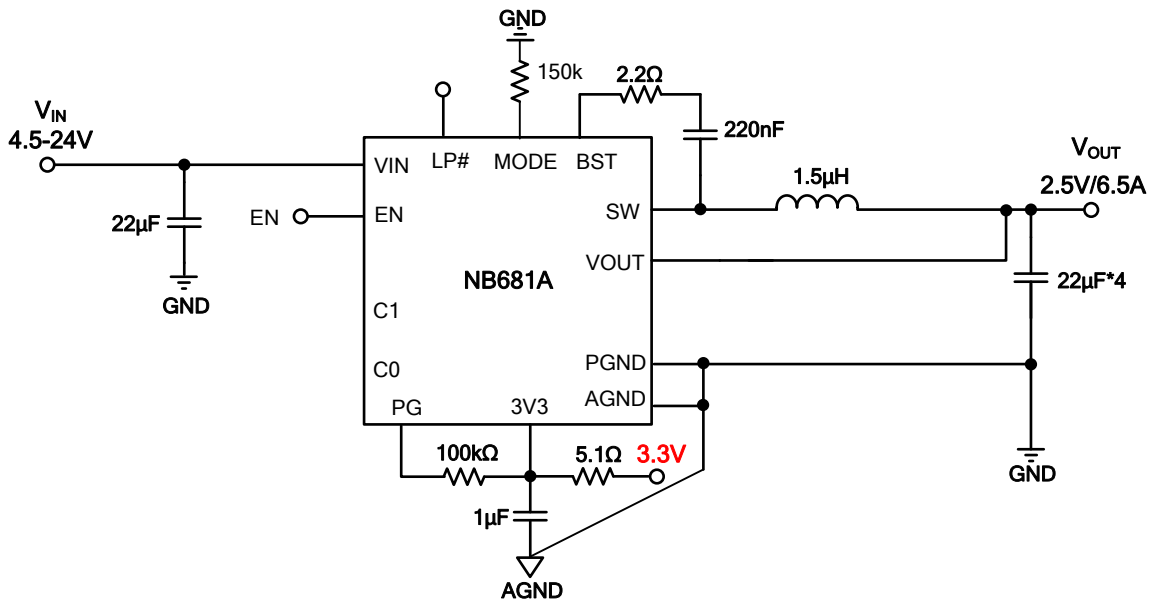


Figure 8.6: Typical Application Schematic for Others Mode (2.5V)

TYPICAL APPLICATION—WITH REMOTE SENSE

For additional details on remote sense application, refer to AN086.

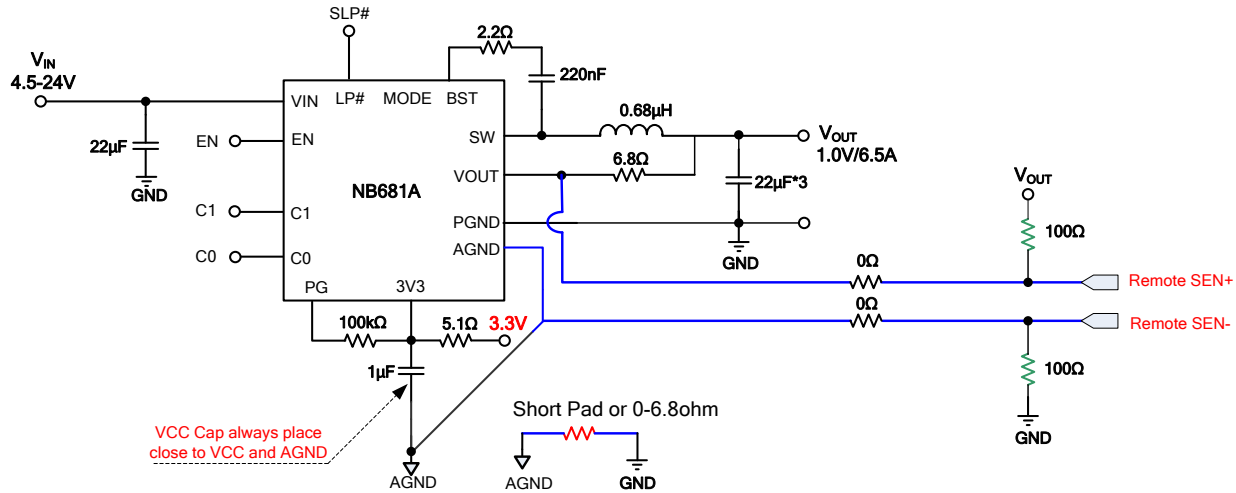


Figure 9: Typical Application Schematic for NB681 Remote Sense Application

NOTE 1: Ultrasonic mode is not effective if applied in this SCH, make sure EN rising finishes in 1ms.

TYPICAL APPLICATION—WITH VOUT OUT OF VID TABLE

The two red resistors on VOUT act as feedback resistors to adjust the Vout to the proper value. It is recommended to choose the closest VID value (which is lower than the target Vout) as Vref if there are no other limitations. Figure 10 shows the typical SCH with the Vout setting at 1.1V.

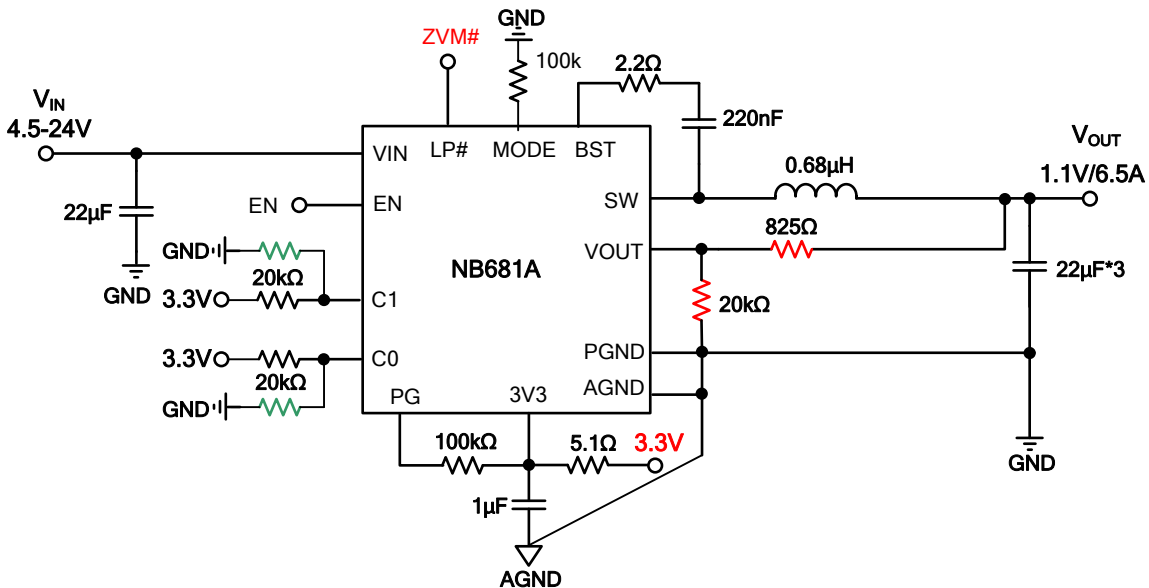


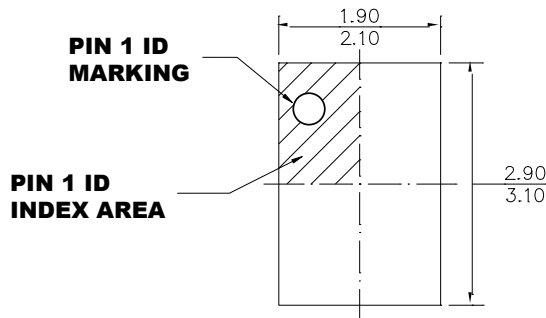
Figure 10: Typical Application Schematic for NB681 with Vout from the VID Table

NOTE 2: Ultra-sonic mode is not effective if applied in this SCH, make sure EN rising finishes in 1ms.

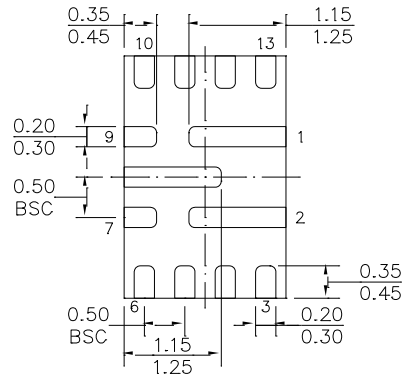
NOTE 3: It is not recommended to set Vout over 50% of the target VREF.

PACKAGE INFORMATION

QFN-13 (2mm x 3mm)



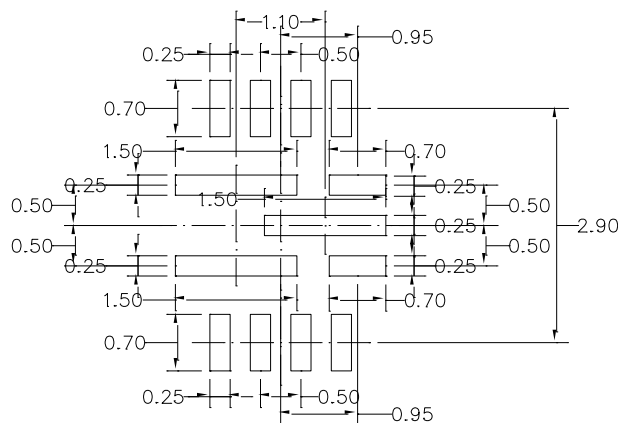
TOP VIEW



BOTTOM VIEW



SIDE VIEW



RECOMMENDED LAND PATTERN

NOTE:

- 1) ALL DIMENSIONS ARE IN MILLIMETERS.
- 2) EXPOSED PADDLE SIZE DOES NOT INCLUDE MOLD FLASH.
- 3) LEAD COPLANARITY SHALL BE 0.10 MILLIMETERS MAX.
- 4) JEDEC REFERENCE IS MO-220.
- 5) DRAWING IS NOT TO SCALE.

NOTICE: The information in this document is subject to change without notice. Users should warrant and guarantee that third party Intellectual Property rights are not infringed upon when integrating MPS products into any application. MPS will not assume any legal responsibility for any said applications.